

# LG SIGNATURE

## LUDP8997SN

### QUICK INSTALL & CLEARANCES

For full installation directions/clearances please refer to the corresponding User Manual and Installation Guide.

#### DIMENSIONS/CLEARANCES/WEIGHT

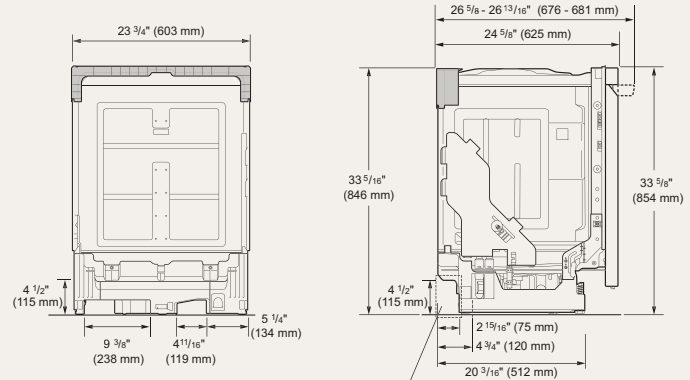
Unit Dimensions (WxHxD)	23.75" x 33.6" x 24.6"
Depth with Door Closed (Handle)	27-1/8"
Depth with Door Open	50.5"
Carton Dimensions (WxHxD)	28" x 34.7" x 29.6"
Clearances (WxHxD)	24" x 33.5" x 24"
Weight (Unit / Carton)	83.8 lbs / 97.0 lbs

#### ENERGY / WATER

Water Factor (WF)	2.8
Energy Use (kWh/Year)	258 kWh/Year
ENERGY STAR® Qualified	Yes
CEE Tier	1



#### DIMENSIONS

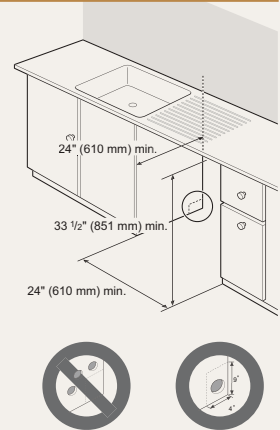


Water supply hose, drain hose and electric cable should be passed through this area.

#### PREPARING CABINET OPENING

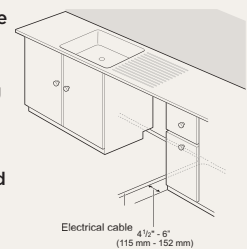
This dishwasher is designed to fit a standard dishwasher opening. An opening may be needed on both sides to route plumbing and electrical connections.

- Select a location as close to the sink as possible for easy connections to water and drain lines.
- To ensure proper drainage, install the dishwasher no more than 12 ft. (3.65 m) from the sink.
- If installing the dishwasher in a corner, leave a minimum of 2" (50 mm) between the dishwasher and the adjacent wall.
- To allow for proper clearance of plumbing and electrical, use the template included with the literature to determine the clearance on the side of the cabinet where the cabinet meets the back wall. Using a 2 1/2" diameter hole saw, drill a hole in the target area as shown on the template.



#### PREPARING ELECTRICAL WIRING

- Operate this appliance with the correct voltage as shown in this manual and on the rating plate. Connect it to a dedicated, properly grounded branch circuit which is protected by a time delay fuse. Connect the appliance using 3-wires, including a ground wire.
- If an outlet and other power connector are used, it should be in an accessible location adjacent to and not behind the dishwasher and within 4 ft (1.2 m) of the dishwasher's side.
- The wiring must be grounded properly. If in doubt, have it checked by a qualified electrician. Do not connect any other appliance to the same outlet.
- Route the wiring.
- Make sure the electrical cable is oriented in the right side channel.



#### PREPARING WATER SUPPLY CONNECTION

Make sure the house water supply is turned off before connecting the dishwasher water lines.

- Connect the dishwasher to a hot water supply with a temperature range between 120 °F (49 °C) and 149 °F (65 °C). This temperature range provides the best washing results and shortest cycle time. To prevent damage to dishes, the temperature should not exceed 149 °F (65 °C).
- When connecting the dishwasher water line, sealing tape or compound should be used on pipe threads to avoid leaks. Tape or compound should not be used on compression fittings.
- The water supply tube must be located in the left side channel.

