



Electrolux

Factory Parts Catalog

Product No.	EI30GF45QSB
Series	30" f/s gas
Color	stainless
Market	North America
Owner's Guide	A02992601
Installation Instructions	809127201
Service Data Sheet	A00980603
Quick Start Guide	808595520

 **Electrolux**

Electrolux Major Appliances

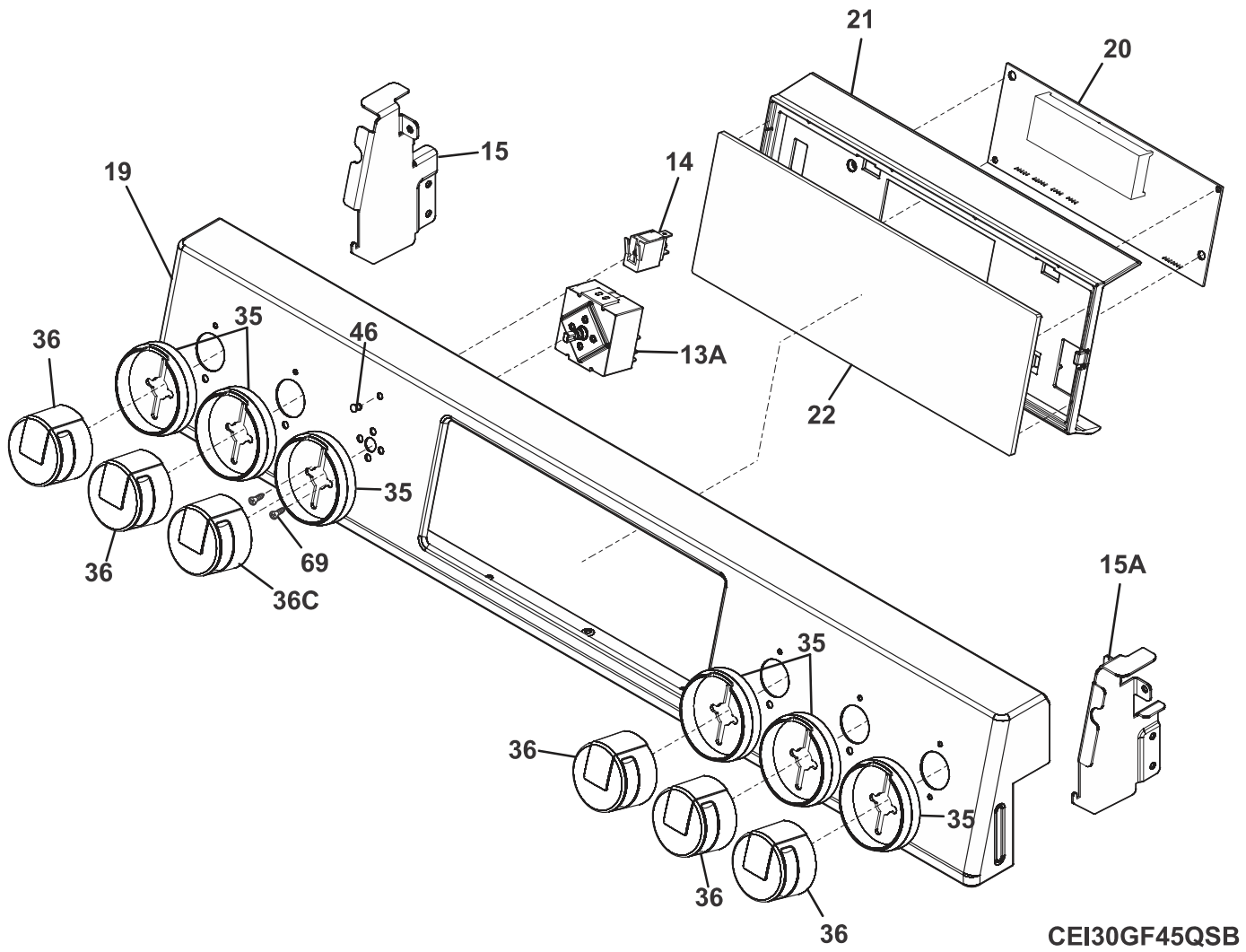
P.O. BOX 8020
CHARLOTTE, NC 28262

Publication No.
5995663159
15/07/06
(EN/SERVICE/ECL)
377

**30-INCH
FREE STANDING
GAS RANGE**

Model No.
EI30GF45Q

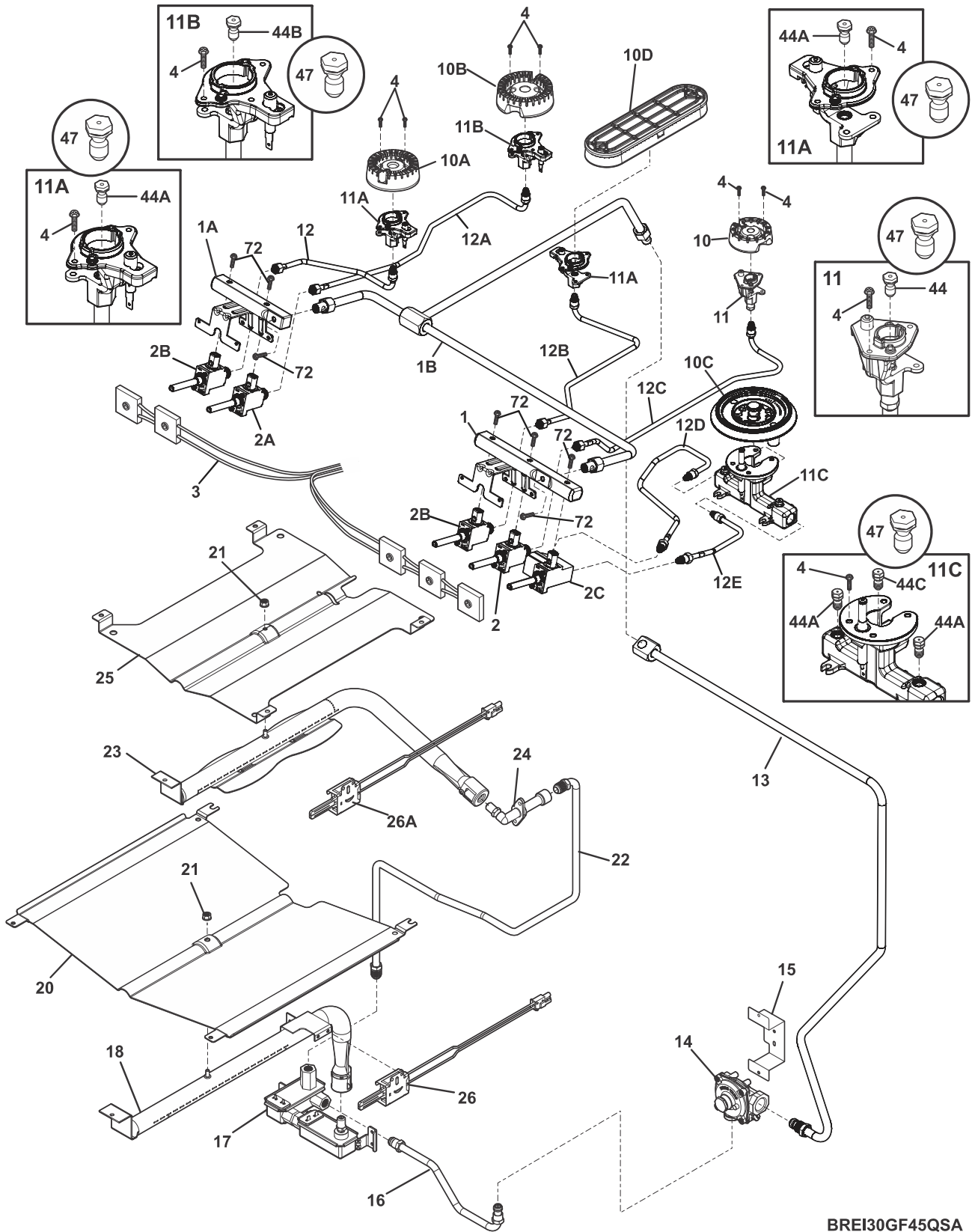
BACKGUARD



BACKGUARD

POS. NO	PART NO.	DESCRIPTION
13A#	316095503	Switch, infinite, warmer
13A*	5304497165	Harness, wiring, warmer switch
14 #	316022507	Light/Lamp, indicator, orange
15	809124402	Bracket, support, LH, control panel
15A	809124401	Bracket, support, RH, control panel
19	809125104	Control Panel, stainless
20 #	316474924	Controller, electronic
20*	807286001	Screw, 10-32 x 1/4"
21	809127301	Bracket Assembly, plastic, controller
21*	5304453707	Screw, 8-18 X 1/2
22 #	808770702	Control Panel, touch, glass, black
35	5304502518	Bezel, knob
36	316535715	Knob, top valve, stainless
36C	316535716	Knob, control, stainless, warm zone
46	316557300	Lens-light/lamp, indicator, clear
69	5304401837	Screw, 8-32 x 5/16
*	316021105	Screw, hex head cup pt, 8-18 x 0.375, black
*	316021110	Screw, 8-18 x 0.5, black

BURNER

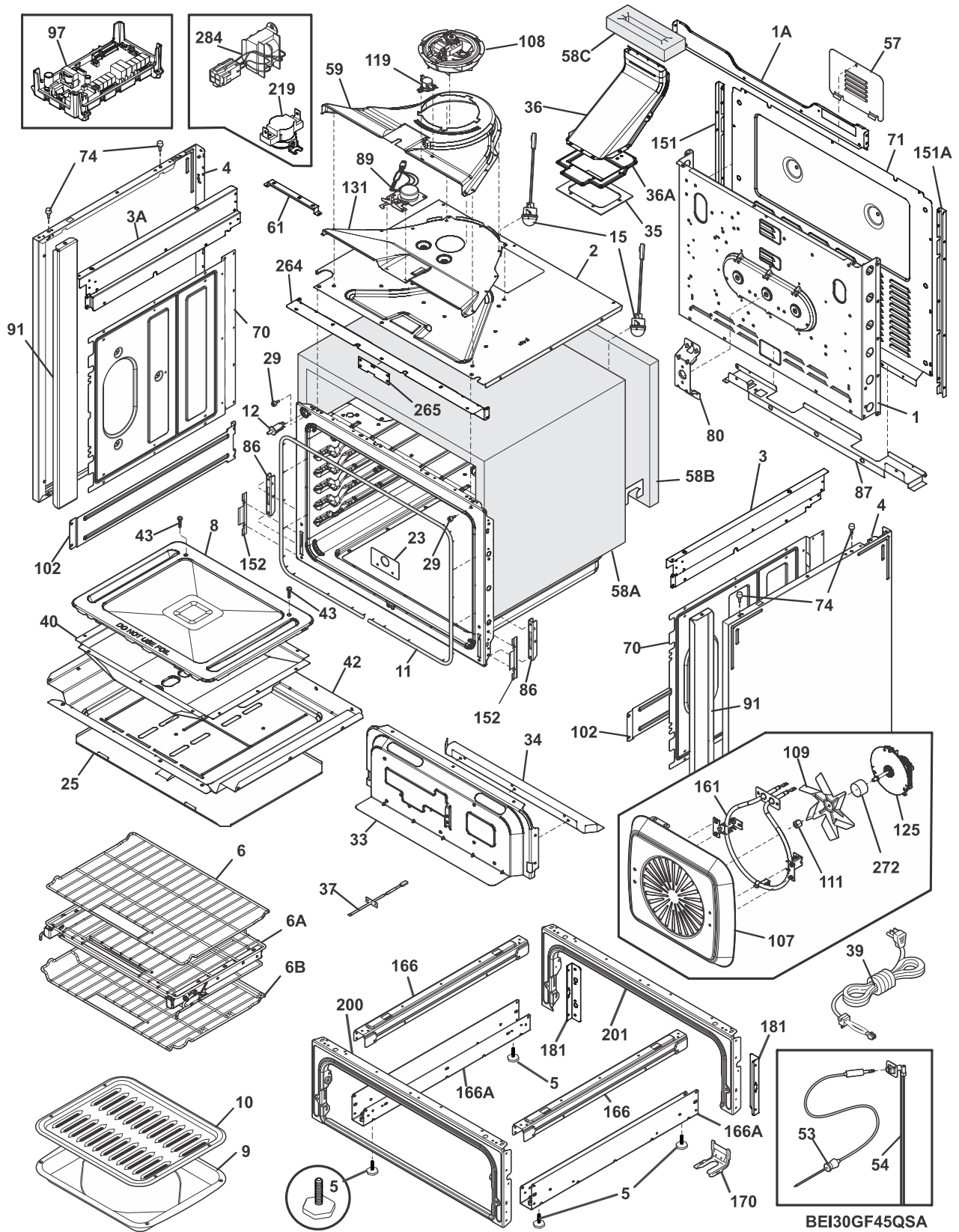


BREI30GF45QSA

BURNER

POS. NO	PART NO.	DESCRIPTION
1 #	808911101	Manifold, pipe, RH
1A #	808911102	Manifold, pipe, LH
1B #	809125501	Tubing, interconnect, manifold
2 #	5303935306	Valve, top burner, blue stem
2A #	5304487866	Valve, top burner, 16/17/18K, w/mtg screw
2B #	5303935309	Valve, top burner, 9.5K/tortilla
2C #	5303935400	Valve, top burner, dual
3 #	5304497166	Harness, wiring, ignition, w/switches
4	5304472956	Screw, hex wash, 6-32 x .485
10 #	316438200	Burner, sealed, 5K
10A#	316558300	Burner, sealed, 9.5K
10B#	316438600	Burner, sealed, 14K
10C#	5304501023	Burner Assembly, G5
10D#	316559300	Burner, sealed, 9.5K, oval
11 #	316540800	Ignitor/orifice assy., top burner, 5K, w/holder
11A#	316540700	Ignitor/orifice assy., top burner, 9.5K, w/holder
11B#	316543204	Ignitor/orifice assy., top burner, 14K
11C#	316440100	Ignitor/orifice assy., top burner, twin, 17K, w/holder
*	316566901	Sleeve, insulator
12 #	809126001	Tube, burner, LH front
12A#	809125701	Tube, burner, LH rear
12B#	809125801	Tube, burner, center
12C#	809125601	Tube, burner, RH rear
12D#	809126301	Tube, twin burner, RH front, inside
12E#	809125901	Tube, twin burner, RH front, outside
13 #	809126101	Tube, supply, manifold
14 #	316416705	Regulator, pressure
15	318262810	Bracket, regulator
16 #	318289500	Tube, regulator valve
17 #	316031501	Valve, safety
18	5304502520	Burner, bake
20	139005100	Baffle, bake burner
*	316260800	Screw-shoulder, w/shoulder, #8-18 x 1/2"
21	5303013272	Nut, hex head sems
22 #	139009500	Tube, broil supply
23 #	139007100	Burner, broil
24 #	316409703	Elbow, mixer
25	316401301	Baffle, broil burner
26 #	139013700	Ignitor, bake burner
26A#	139013701	Ignitor, broil burner
*	316418901	Screw, trilobe, 10-32 x 5/16", black
44 #	316527504	Orifice, burner, 5K
44A#	316527500	Orifice, burner, 9.5K
44B#	316527511	Orifice, burner, 14K
44C#	316527514	Orifice, burner, simmer
47 #	316542417	LP Conversion Kit
72	316215600	Screw, valve mtg., 1/4 - 20
* #	808041201	Harness, wiring, oven ignitors
* #	5304497167	Harness, wiring, ignitor module, to ignitors
*	316021105	Screw, hex head cup pt, 8-18 x 0.375, black
*	316021109	Screw, 8-18 x 0.5, chrome

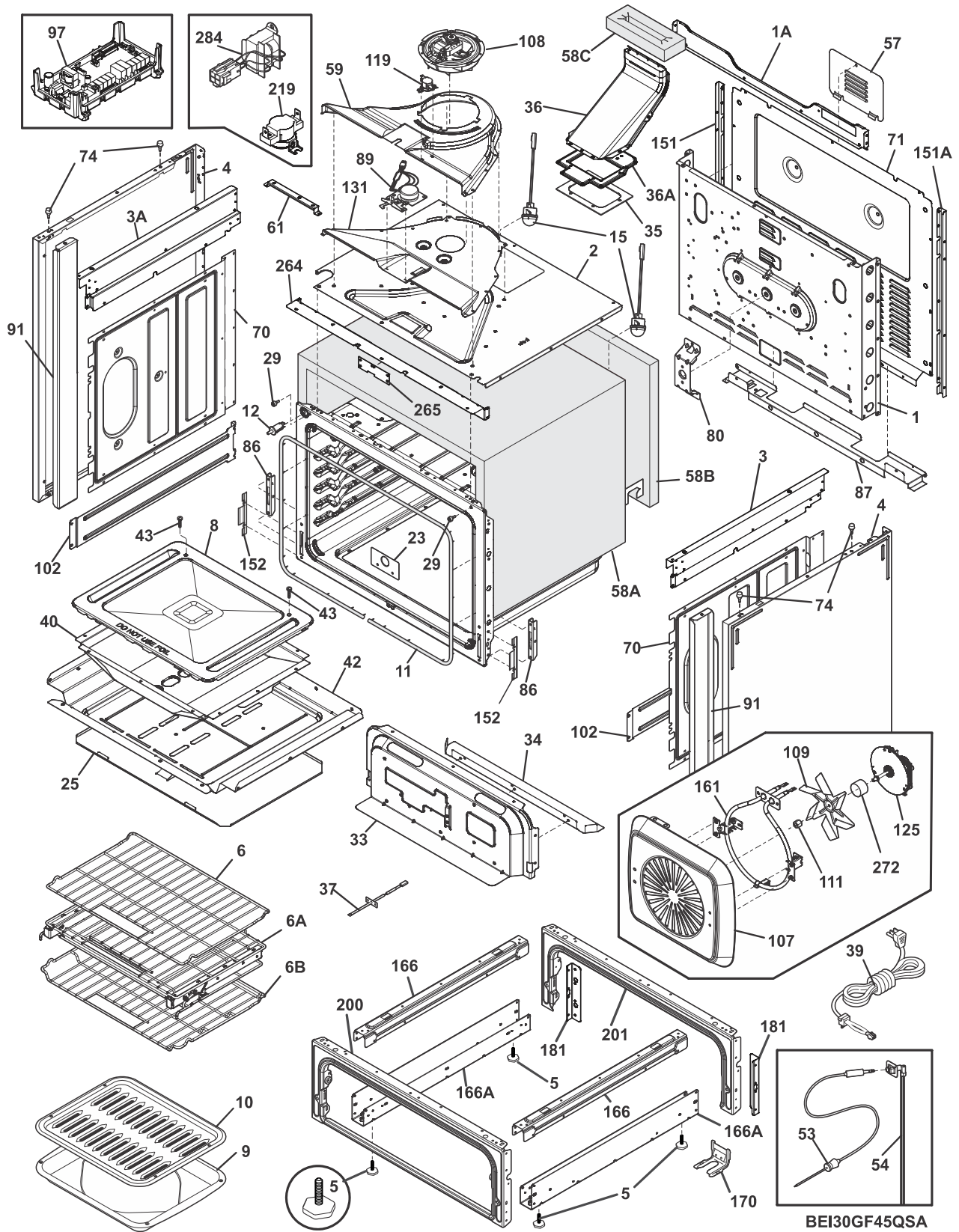
BODY



BODY

POS. NO	PART NO.	DESCRIPTION
1	139017306	Panel, main back
1A	809128101	Panel, main back, upper
2	139078202	Shield, insulation, top
3	809128202	Panel, upper side, RH
3A	809128201	Panel, upper side, LH
4	807226102	Panel, bodyside, black, (2)
5	318175503	Screw, leveling
6	139011600	Rack, oven, w/handle
6A	139013308	Rack Assembly, gliding, w/handle
6B	139012400	Rack, oven, offset, w/handle
8	139005002	Panel, oven bottom, cobalt
9	316081901	Pan, broiler, cobalt blueOPTIONAL ACCESSORY
10	316082001	Insert, broiler pan, cobalt blueOPTIONAL ACCESSORY
11	807545502	Seal, oven door, gray
12 #	318394802	Switch, light, door
15 #	139009000	Lamp Assembly, round, halogen, w/lens, w/bulb
15*#	318946500	BULB, halogen, G9, 25W, 120V
23	139004500	Cover, broil opening
25	318291900	Bracket, shield, lower
29	316517601	Bumper, main front, cobalt blue
33	318287800	Panel, valve mtg.
34	318289401	Panel, valve filler
35	318291300	Seal, flue cavity
36	809223802	Fluebox, assembly
36A	139008301	Support, panel, flue
37 #	318562500	Sensor, oven temp probe
39 #	807108201	Cord, electric power
40	139004700	Box, oven burner
42	139004800	Shield, heat, lower
43	3131732	Screw, 8-18 x 1.438, oven bottom
53 #	318601306	Probe, meat temp, black
54 #	139017203	Receptacle Assy, meat probe
57	316283600	Cover, access
58A	5304497189	Insulation, oven wrapper
58B	139011000	Insulation, oven back
58C	318594400	Insulation, flue
58C*	5304497194	Insulation, flue vent, (2)
59	139078000	Duct, cooling fan, top
61	5304497190	Bracket, wire, (2)
70	139000600	Shield, insulation, sides, (2)
71	809123201	Shield, rear, lower
74	318141910	Bumper, bodyside, (4)
80	139021100	Bracket, support, chassis/fan
86	318561100	Receptacle, hinge, (2)
86*	316418900	Screw, sims lp, #8-32 x 5/16", black
87	318260624	Bracket, cable mtg.
87*	316001003	Screw, ground wire
89 #	139078300	Motor, latch assembly
91	5304500329	Bracket, side cavity, (2)
97 #	316472802	Circuit Board, assembly, OVC1, w/housing
102	139004100	Panel, reinforcement, (2)

BODY

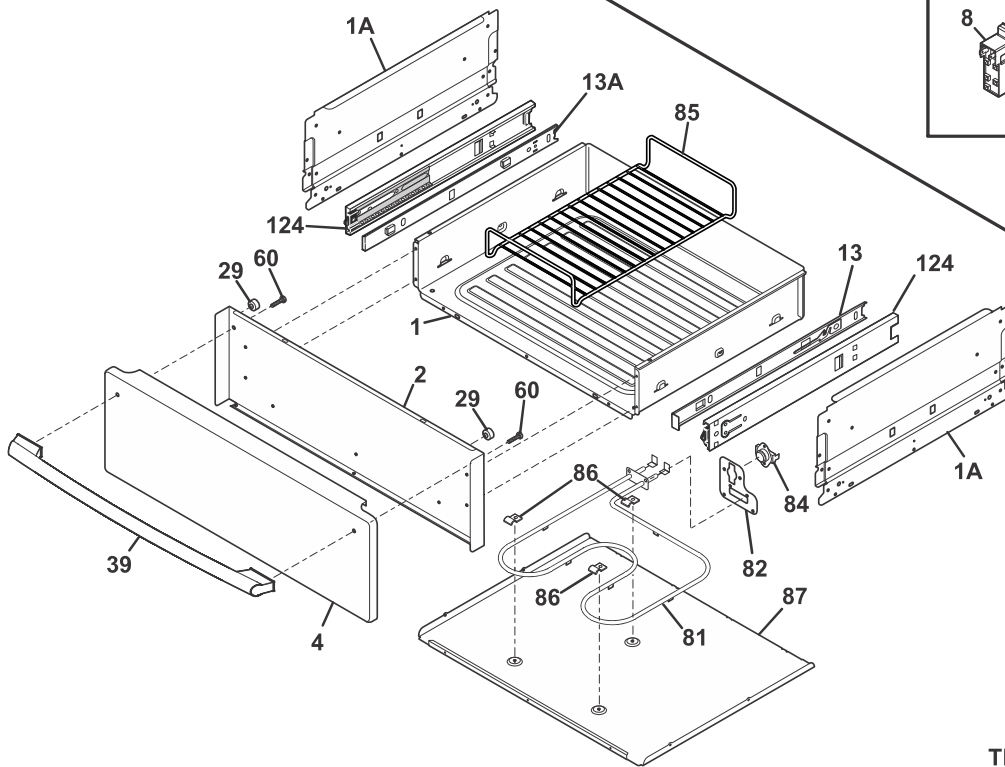
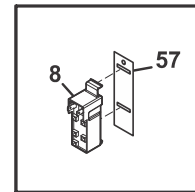
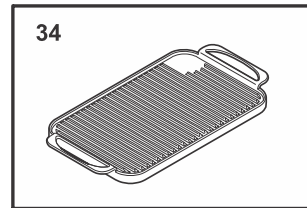
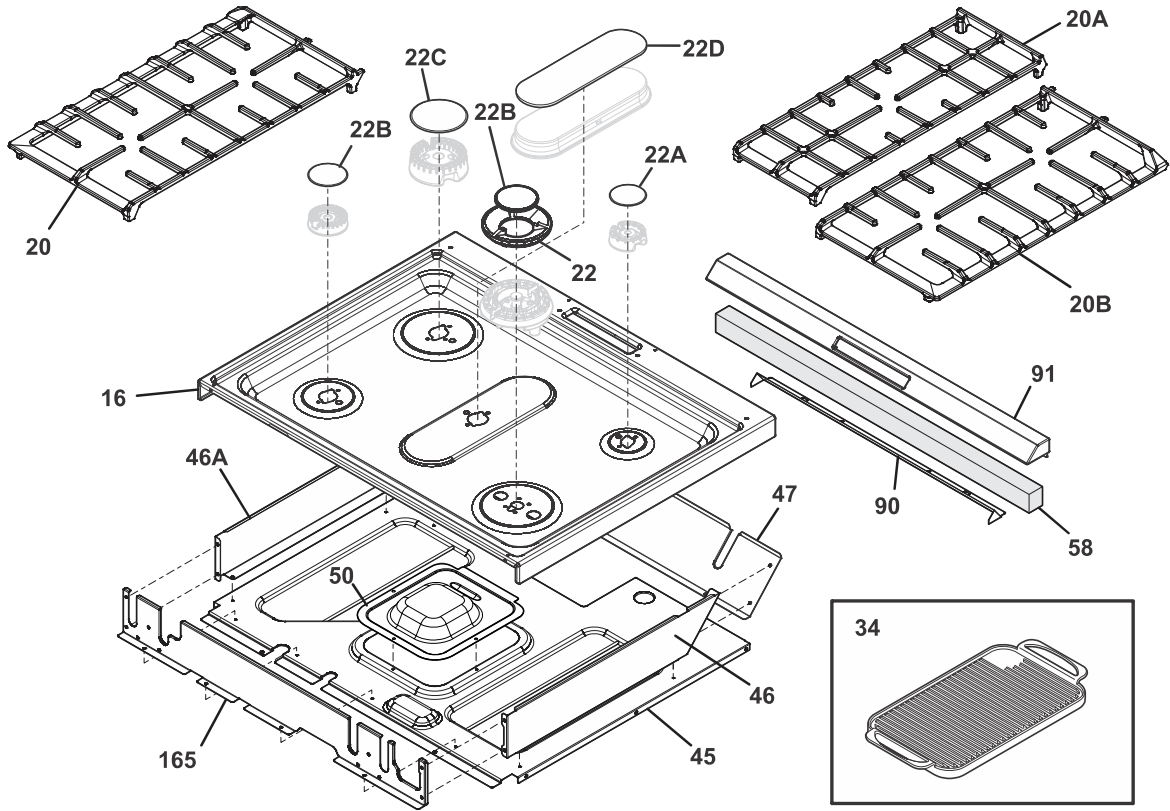


BEI30GF45QSA

BODY

POS. NO	PART NO.	DESCRIPTION
107	139013902	Cover, convection fan, cobalt
107*	807597603	Screw, self tapping, 8-18 x 11/32, (4)
108#	318575612	Motor Assembly, cooling fan
109	139009100	Blade, fan, convection
111	316136600	Nut, fan retainer
119#	807144901	Thermostat, safety, 110C deg
125#	139008600	Motor, fan, convection
131	139078100	Duct, cooling fan, bottom
151	809124101	Bracket, extension, LH, main back
151A	809124102	Bracket, extension, RH, main back
152	318338520	Bracket, lateral panel, (2)
161#	139013800	Element, convection, 350W
166	318298410	Bracket, base support, (2)
166A	318298405	Bracket, base support, lower, (2)
170	5304486410	Kit, anti tip, w/brkt & instru
170*	316116000	Screw, concrete, 1.75", anti-tip brkt
181	809201001	Bracket, rear panel, (2)
200	318298232	Frame, drawer, black, front
201	318298233	Frame, drawer, black, rear
219#	318003400	Thermostat, safety
264	807057104	Trim, vent support, black
265	807050701	Trim, cover, black, vent motor
272	139021700	Tube, convection fan
284#	316536100	Transformer
* #	5304499706	Harness, wiring, main
* #	808041201	Harness, wiring, oven ignitors
*	316021105	Screw, hex head cup pt, 8-18 x 0.375, black
*	316021109	Screw, 8-18 x 0.5, chrome
*	316021110	Screw, 8-18 x 0.5, black
*	5303289910	Screw, truss sqdr, 8A x 1"

TOP/DRAWER

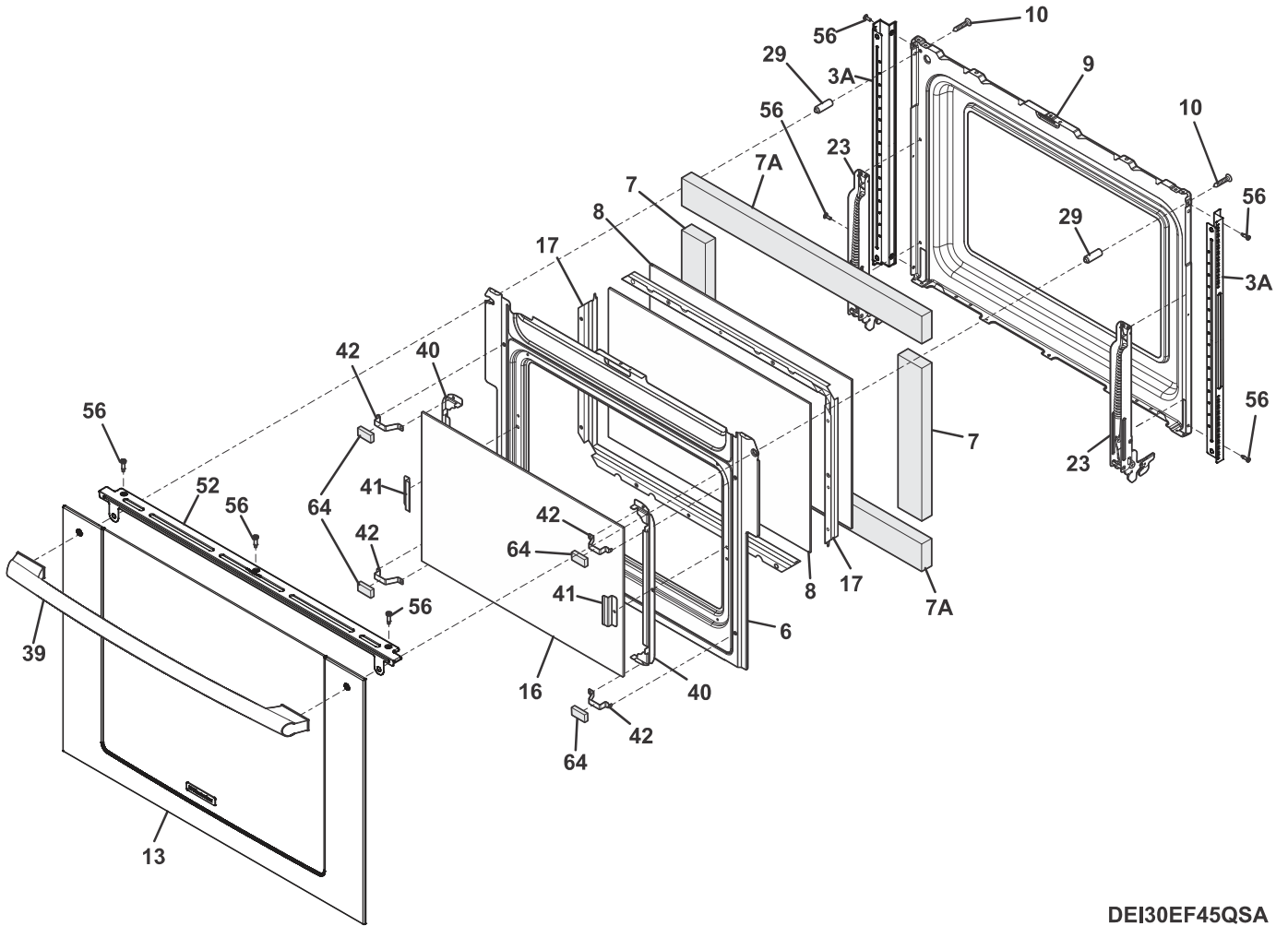


TEI30GF45QSA

TOP/DRAWER

POS. NO	PART NO.	DESCRIPTION
1	318304405	Drawer, body assembly
1A	318300003	Panel, warmer drawer, side, (2)
2	318303907	Panel, drawer, black, inner
4	318298828	Panel, drawer, stainless, front
8 #	316262404	Module, spark
13	318259509	Glide, warmer, inner RH
13A	318259508	Glide, warmer, inner LH
16	809020401	Main Top, stainless
20	5304501428	Grate, burner, LH side
20A	5304499692	Grate, burner, center
20B	5304501429	Grate, burner, RH side
22	139029203	Cap, burner, black, G5
22A	316261704	Cap, 5K burner, matte, black
22B	316261804	Cap, 9.5K burner, matte, black
22C	316262004	Cap, 14K burner, matte, black
22D	316559604	Cap, 9.5K burner, black, oval
29	318147430	Bumper, (2)
34	5304495353	Griddle
39	316380802	Handle, door, stainless
45	809175901	Panel, burner box, bottom
46	809123602	Panel, upper side, RH
46A	809123601	Panel, upper side, LH
47	809123801	Panel, burner box, rear
50	318578803	Panel, service, fan
57	318295611	Panel, service
58	5304497296	Insulation, vent cover
60	5303311174	Screw, 10-24 x 3/8
60*	318591200	Washer, handle, drawer
81 #	318255301	Element, warmer drawer
82	318304500	Bracket, element, warmer drawer
84 #	318005108	Thermostat
85	807328301	Rack, warmer drawer
86	316095800	Clip, hold down, (3)
87	318300102	Panel, warmer drawer, lower
90	809123702	Deflector, top, black
91	809123101	Trim, vent, stainless, rear
124	316105501	Glide, outer/RH & LH, (2)
165	809123901	Panel, burner box, front
* #	5304497168	Harness, wiring, warmer drawer
*	318163602	Cleaner, stainless steel
*	316021105	Screw, hex head cup pt, 8-18 x 0.375, black
*	316021109	Screw, 8-18 x 0.5, chrome
*	316021110	Screw, 8-18 x 0.5, black

DOOR

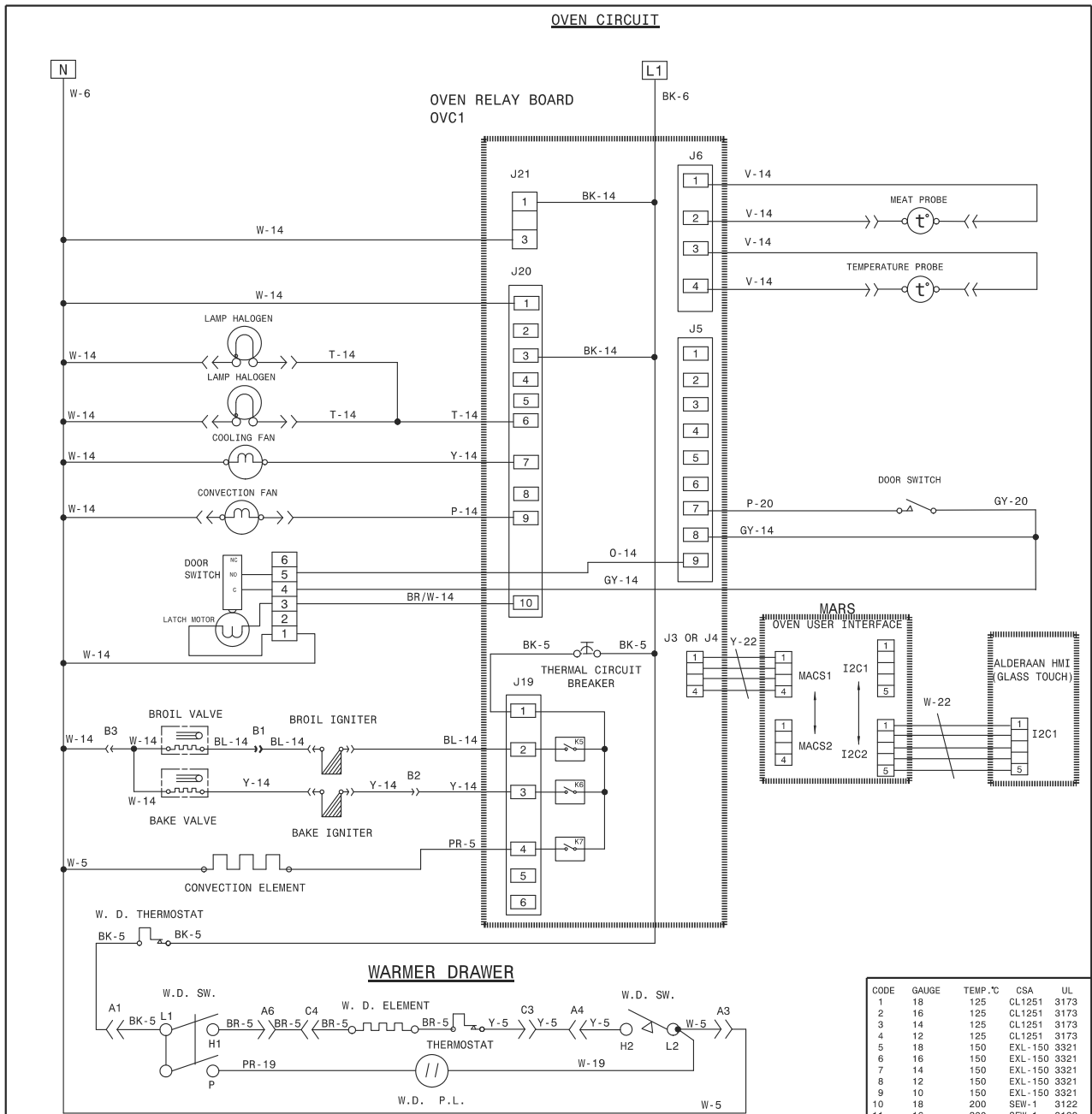


DEI30EF45QSA

DOOR

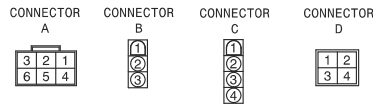
POS. NO	PART NO.	DESCRIPTION
3A	807455807	Trim, door, black, side
6	139006905	Baffle, door
7	318372017	Insulation, door
7A	318372016	Insulation, door
8	316117502	Glass, oven door, heat barrier, inner, HRC2
9	139000403	Liner, oven door
10	316513301	Screw, handle mtg, 10-24 x 2.188, (2)
13	808950025	Door Assembly, outer, stainless/black, w/trim & badge
16	316446400	Glass, oven door, airwash
17	318264712	Spacer, glass, (2)
23	316575910	Hinge, oven door, pink
23*	316418900	Screw, sims lp, #8-32 x 5/16", black
29	139023400	Spacer, door handle, (2)
39	316380802	Handle, door, stainless
40	318242702	Bracket, glass holder, door, (2)
41	318370602	Bracket, glass panel, (2)
42	318382301	Bracket, glass retainer, (4)
52	807437405	Trim, door top, black, lower door
56	316021110	Screw, 8-18 x 0.5, black
64	318165800	Spacer, glass, foam
*	316483100	Label, anti-tip
*	318163602	Cleaner, stainless steel

WIRING DIAGRAM



CAUTION: DISCONNECT POWER BEFORE SERVICING UNIT. LABEL ALL WIRES PRIOR TO DISCONNECTION WHEN SERVICING CONTROLS. WIRINGS ERRORS CAN CAUSE IMPROPER AND DANGEROUS OPERATION. VERIFY PROPER OPERATION AFTER SERVICING.

LEGEND
 SW. - SWITCH
 P.L. - PILOT LIGHT
 R.F. - RIGHT FRONT
 R.R. - RIGHT REAR
 L.F. - LEFT FRONT
 L.R. - LEFT REAR
 H.S. - HOT SURFACE
 LIM. - LIMITER
 W.D. - WARMER DRAWER



COLOR CODE
 BK. - BLACK
 G. - GREEN
 W. - WHITE
 R. - RED
 O. - ORANGE
 Y. - YELLOW
 BR. - BROWN
 BL. - BLUE
 GY. - GREY
 V. - VIOLET
 T. - TAN
 PR. - PURPLE
 P. - PINK

CODE	GAUGE	TEMP. °C	CSA	UL
1	18	125	CL1251	3173
2	16	125	CL1251	3173
3	14	125	CL1251	3173
4	12	125	CL1251	3173
5	18	150	EXL-150	3321
6	16	150	EXL-150	3321
7	14	150	EXL-150	3321
8	12	150	EXL-150	3321
9	10	150	EXL-150	3321
10	18	200	SEW-1	3122
11	16	200	SEW-1	3122
12	12	250		3252
13	16	250		3252
14	20	150	EXL-150	3321
15	8	150	EXL-150	3321
16	8	60		
17	10	60		
18	10	200	SEW-1	3122
19	20	125	CL1251	3173
20	20	200	SEW-1	3122
21	22	125		3266
22	22	150		10109
23	18	200		3573
34	16	200		3512
35	18	200		3512
37	14	200		3512
39	14	200	SEW-1	3122
41	20	200		3512
49	22	200		3122

A00980603 (809126601 REV:A)

PAGE : 1 / 2

WIRING DIAGRAM

