

SIDE-BY-SIDE REFRIGERATOR OWNER'S MANUAL

MANUEL D'UTILISATION DU RÉFRIGÉRATEUR CÔTE À CÔTE

Table of Contents/Table des matières

REFRIGERATOR SAFETY	2	SÉCURITÉ DU RÉFRIGÉRATEUR	28
Refrigerator Safety.....	2	Sécurité du réfrigérateur.....	28
MAINTENANCE AND CARE	3	ENTRETIEN ET RÉPARATION	29
Cleaning.....	3	Nettoyage.....	29
Lights.....	3	Lampes.....	30
Freezer Shelf (number varies by model).....	5	Tablettes du congélateur (le nombre varie selon le modèle).....	31
Vacation and Moving Care.....	5	Précautions à prendre avant les vacances ou le déménagement.....	32
INSTALLATION INSTRUCTIONS	5	INSTRUCTIONS D'INSTALLATION	32
Unpack the Refrigerator.....	5	Déballage du réfrigérateur.....	32
Location Requirements.....	6	Exigences d'emplacement.....	33
Electrical Requirements.....	8	Spécifications électriques.....	35
Water Supply Requirements.....	9	Spécifications de l'alimentation en eau.....	36
Connect Water Supply.....	9	Raccordement à la canalisation d'eau.....	36
Complete the Installation.....	11	Terminer l'installation.....	38
Install Air Filter (on some models).....	11	Installer le filtre à air (sur certains modèles).....	39
Install Produce Preserver (on some models).....	12	Installation du conservateur de produits frais (sur certains modèles).....	39
REFRIGERATOR FEATURES	13	CARACTÉRISTIQUES DU RÉFRIGÉRATEUR	40
Convertible Drawer Temperature Control (on some models).....	13	Commande de température dans le tiroir convertible (sur certains modèles).....	40
Crisper Humidity Control (on some models).....	13	Commande d'humidité dans le bac à légumes (sur certains modèles).....	41
Dual Evaporator (on some models).....	13	Évaporateur double (sur certains modèles).....	41
Water and Ice Dispensers.....	13	Distributeurs d'eau et de glaçons.....	41
Ice Maker and Storage Bin.....	13	Machine à glaçons et bac d'entreposage.....	41
Water Filtration System.....	15	Système de filtration de l'eau.....	43
DOOR REMOVAL AND LEVELING STYLE 1	17	RETRAIT DE LA PORTE ET AJUSTEMENT DU NIVEAU, STYLE 1	45
Door Instructions.....	17	Instructions pour la porte.....	45
Install and Remove Door Handles.....	17	Installation et retrait des poignées de la porte.....	46
Remove Doors and Hinges.....	18	Démontage des portes et charnières.....	47
Replace Doors and Hinges.....	20	Réinstallation des portes et charnières.....	48
Door Closing and Alignment.....	21	Fermeture et alignement des portes.....	49
DOOR REMOVAL AND LEVELING STYLE 2	22	RETRAIT DE LA PORTE ET AJUSTEMENT DU NIVEAU, STYLE 2	50
Door Instructions.....	22	Instructions pour la porte.....	50
Install and Remove Door Handles.....	22	Installation et retrait des poignées de la porte.....	51
Remove Doors and Hinges.....	22	Démontage des portes et charnières.....	51
Door Closing, Leveling, and Alignment.....	24	Fermeture, mise à niveau et alignement des portes.....	53
PERFORMANCE DATA SHEET	26	FICHE DE DONNÉES RELATIVES AU RENDEMENT	55

REFRIGERATOR SAFETY

Your safety and the safety of others are very important.

We have provided many important safety messages in this manual and on your appliance. Always read and obey all safety messages.



This is the safety alert symbol.

This symbol alerts you to potential hazards that can kill or hurt you and others.

All safety messages will follow the safety alert symbol and either the word "DANGER" or "WARNING." These words mean:

▲ DANGER

You can be killed or seriously injured if you don't immediately follow instructions.

▲ WARNING

You can be killed or seriously injured if you don't follow instructions.

All safety messages will tell you what the potential hazard is, tell you how to reduce the chance of injury, and tell you what can happen if the instructions are not followed.

IMPORTANT SAFETY INSTRUCTIONS

WARNING: To reduce the risk of fire, electric shock, or injury to persons when using your appliance, follow basic precautions, including the following:

- Children should be supervised to ensure that they do not play with the appliance.
- This appliance is not intended for use by persons (including children) with reduced physical, sensory, or mental capabilities, or lack of experience and knowledge, unless they have been given supervision or instruction concerning use of the appliance by a person responsible for their safety.
- Do not use an extension cord.
- If power supply cord is damaged, it must be replaced by the manufacturer, its service agent, or a similarly qualified person in order to avoid a hazard.
- Connect to potable water supply only.
- This appliance is intended to be used in household and similar applications such as: staff kitchen areas in shops, offices, and other working environments; farm houses and by clients in hotels, motels, and other residential-type environments; bed and breakfast-type environments; and catering and similar non-retail applications.
- Do not store explosive substances such as aerosol cans with a flammable propellant in this appliance.
- Do not use replacement parts that have not been recommended by the manufacturer (e.g., parts made at home using a 3D printer).
- Keep ventilation openings, in the appliance enclosure or in the built-in structure, clear of obstruction.
- Do not use mechanical devices or other means to accelerate the defrosting process, other than those recommended by the manufacturer.
- Do not damage the refrigerant circuit.
- Do not use electrical appliances inside the food storage compartments of the appliance, unless they are of the type recommended by the manufacturer.

SAVE THESE INSTRUCTIONS

Proper Disposal of Your Old Refrigerator

WARNING: Risk of child entrapment. Before you throw away your old refrigerator or freezer:

- Take off the doors.
- Leave the shelves in place so that children may not easily climb inside.

▲ WARNING

Suffocation Hazard

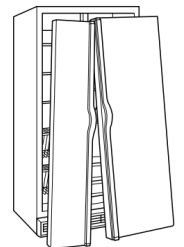
Remove doors or lid from your old appliance.

Failure to do so can result in death or brain damage.

IMPORTANT: Child entrapment and suffocation are not problems of the past. Junked or abandoned refrigerators are still dangerous, even if they will sit for "just a few days." If you are getting rid of your old refrigerator, please follow these instructions to help prevent accidents.

Important information to know about disposal of refrigerants:


Dispose of refrigerator in accordance with federal and local regulations. Refrigerants must be evacuated by a licensed, EPA-certified refrigerant technician in accordance with established procedures.



MAINTENANCE AND CARE

Cleaning

⚠ WARNING



Explosion Hazard

Risk of Fire or Explosion.
Flammable Refrigerant Used.
Do Not Use Mechanical Devices to Defrost Refrigerator.
Do Not Puncture Refrigerant Tubing.


Both the refrigerator and freezer sections defrost automatically. However, clean both sections about once a month to avoid buildup of odors. Wipe up spills immediately.

IMPORTANT: Because air circulates between both sections, any odors formed in one section will transfer to the other. You must thoroughly clean both sections to eliminate odors. To avoid odor transfer and drying out of food, wrap or cover foods tightly.

NOTE: Do not use abrasive or harsh cleaners such as window sprays, scouring cleansers, flammable fluids, cleaning waxes, concentrated detergents, bleaches or cleansers containing petroleum products on plastic parts, interior, and door liners or gaskets. Do not use paper towels, scouring pads, or other harsh cleaning tools. Stainless steel models have a coating. Do Not use regular stainless steel cleaning products. Do Not use stainless steel cleaner or polish and use only mild soap, water, and soft microfiber cloth to avoid damage to the stainless steel protective coating. Paper towels scratch and may dull the clear coat of the painted door. To avoid possible damage, use only clean cloths to polish and wipe the door.

1. Unplug refrigerator or disconnect power.
2. Hand-wash, rinse, and dry removable parts and interior surfaces thoroughly. Use a clean sponge or soft cloth and a mild detergent in warm water.
3. Wash stainless steel and painted metal exteriors with a clean sponge or soft cloth and a mild detergent in warm water.

⚠ WARNING



Explosion Hazard

Risk of Fire or Explosion due to Puncture of Refrigerant Tubing;
Follow Handling Instructions Carefully.
Flammable Refrigerant Used.

4. There is no need for routine condenser cleaning in normal home operating environments. If the environment is particularly greasy or dusty, or there is significant pet traffic in the home, the condenser should be cleaned every 2 to 3 months to ensure maximum efficiency.

If you need to clean the condenser:

- Remove the base grille. See the "Door Removal" instructions, either in the Owner's Manual or in the separate instruction sheet provided with your refrigerator.
- Use a vacuum cleaner with a soft brush to clean the grille, the open areas behind the grille, and the front surface area of the condenser.
- Replace the base grille when finished.

5. Plug in refrigerator or reconnect power.

Lights

Not all bulbs will fit your refrigerator. Be sure to replace the bulb with one of the same size, shape, and wattage.

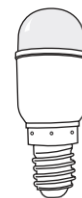
IMPORTANT: The light bulbs in both the refrigerator and freezer compartments of your new refrigerator may use LED technology. On some models, the LED light bulbs in the refrigerator, freezer, air tower, and dispenser cannot be changed by yourself. If the lights do not illuminate when the refrigerator and/or freezer door is opened, call for assistance or service. In the U.S.A., call **1-800-253-1301**. In Canada, call **1-800-807-6777**.

Light Styles:

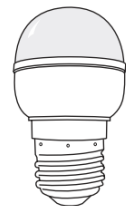
The dispenser lights are LEDs that cannot be changed.

The interior lights vary by model.

- Some models have mini LEDs that cannot be changed.
- Some models have full-size LED bulbs that can be changed. To order replacement 2.0 W LED bulbs, use part number W10574850A, and for 3.6 W, use part number W10565137A, or call **1-800-253-1301** (U.S.A.) or **1-800-807-6777** (Canada).



2.0 watts



3.6 watts

NOTE: Some LED replacement bulbs are not recommended for wet/damp environments. The refrigerator and freezer compartments are considered to be wet/damp environments. If using a brand of LED bulb other than the recommended Whirlpool LED bulb, read and follow all instructions on the replacement bulb's packaging before installing it.

- Some models have interior incandescent 40 W bulbs that can be changed.

NOTE: Not all replacement bulbs will fit your refrigerator. Do not use an incandescent bulb in excess of 40 watts.



To Change a Light Bulb:

1. Unplug refrigerator or disconnect power.
2. Remove the light shield, as explained in the following sections.

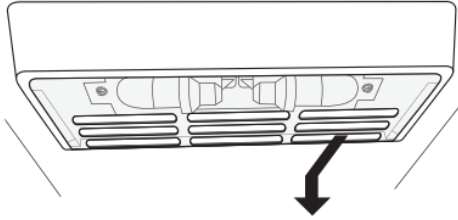
NOTE: To clean the light shield, wash it with warm water and liquid detergent. Before reinstalling, thoroughly rinse and dry the shield.

3. Replace the burned-out light bulb, as explained in the following sections.
4. Reinstall the light shield, as explained in the following sections.
5. Plug in refrigerator or reconnect power.

Refrigerator Compartment – Upper Lights

Light Shield Removal:

Slide the light shield toward the rear of the refrigerator and remove it from the light housing.

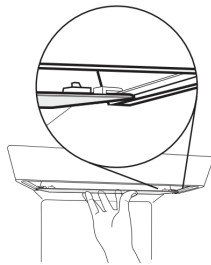


Replacement Bulb:

- If the burned-out light is a full-size LED bulb, replace it with a 2.0 W LED bulb.
- If the burned-out light is an incandescent bulb, replace it with an incandescent appliance bulb of the same size, shape, and wattage (40 W maximum).

Light Shield Reinstallation:

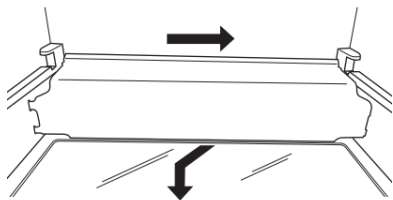
Align the light shield in the grooves at the bottom edge of the light housing; then slide it forward until it snaps into place.



Refrigerator Compartment – Lower Lights

Light Shield Removal:

Slide the light shield to the right to remove the left end from the wall slots; then pull the right end out of its wall slots.

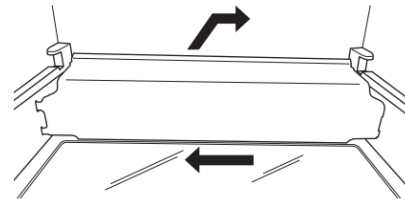


Replacement Bulb:

- If the burned-out light is a full-size LED bulb, replace it with a 3.6 W LED bulb.
- If the burned-out light is an incandescent bulb, replace it with an incandescent appliance bulb of the same size, shape, and wattage (40 W maximum).

Light Shield Reinstallation:

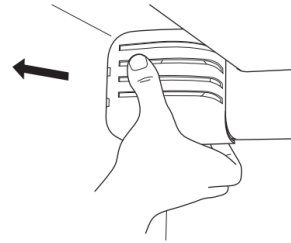
Place the right end of the light shield into the wall slots; then snap the left end into its wall slots.



Freezer Compartment – Upper Light

Light Shield Removal:

Gently squeeze the front and the bottom-rear edge of the light shield to release the tabs from the wall slots; then pull the light shield forward.

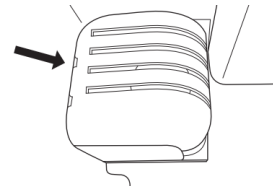


Replacement Bulb:

- If the burned-out light is a full-size LED bulb, replace it with a 3.6 W LED bulb.
- If the burned-out light is an incandescent bulb, replace it with an incandescent appliance bulb of the same size, shape, and wattage (40 W maximum).

Light Shield Reinstallation:

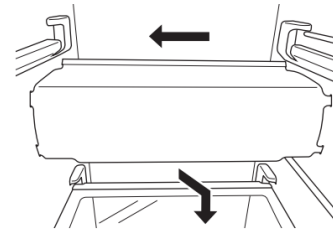
Align the light shield in its proper position, and snap the tabs into the wall slots.



Freezer Compartment – Lower Light

Light Shield Removal:

Slide the light shield to the left to remove the right end from the wall slots; then pull the left end out of its wall slots.

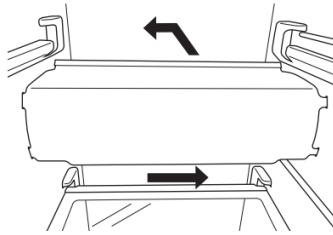


Replacement Bulb:

- If the burned-out light is a full-size LED bulb, replace it with a 3.6 W LED bulb.
- If the burned-out light is an incandescent bulb, replace it with an incandescent appliance bulb of the same size, shape, and wattage (40 W maximum).

Light Shield Reinstallation:

Place the left end of the light shield into the wall slots; then snap the right end into its wall slots.



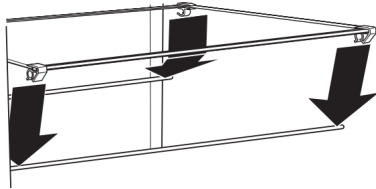
Freezer Shelf (number varies by model)

To Remove and Replace the Bottom Shelf:

1. Lift up the front and back of the shelf, and remove from the cabinet. Be sure not to remove the retaining rods.
2. Replace the shelf, aligning the rods with the cabinet ribs. Apply a little pressure on the shelf to attach the rods to the ribs of the cabinet.

To Remove and Replace the Mid and Top Shelf:

1. With your hand, push the shelf from bottom to top until it is released from the holding rod. Pull the shelf until it is released from the rear rod. Remove from the cabinet.
2. To replace the shelf:
 - Replace rods into the support holes. Push the rods down so they click into the holes.
 - Identify the front and rear trim of the shelf.



- Place the rear trim on the rear rod and push the shelf so it clicks the rod into the rear trim. (Keep the front raised while pushing.)
- Lower the front of the shelf until the front trim is on the rod and push the shelf down so it clicks the rod into the front trim.

NOTE: Be sure that both sides of the shelf are positioned evenly in the shelf support holes and the shelf is secure.

Vacation and Moving Care

Vacations

If You Choose to Leave Refrigerator On While You Are Away:

1. Use up any perishables and freeze other items.
2. If your refrigerator has an automatic ice maker and is connected to the household water supply, turn off the water supply to the refrigerator. Property damage can occur if the water supply is not turned off.
3. If you have an automatic ice maker, turn off the ice maker.

NOTE: Depending on your model, raise the wire shutoff arm to Off (up) position or press the switch to Off.
4. Empty the ice bin.

If You Choose to Turn Refrigerator Off Before You Leave:

1. Remove all food from the refrigerator.

2. If your refrigerator has an automatic ice maker:
 - Turn off the water supply to the ice maker at least one day ahead of time.
 - When the last load of ice drops, raise the wire shutoff arm to the Off (up) position or move the switch to the Off setting.
3. Depending on the model, turn the refrigerator control to Off or turn cooling off. See “Control Descriptions” in the Quick Start Guide.
4. Unplug refrigerator or disconnect power.
5. Clean, wipe, and dry thoroughly.
6. Tape rubber or wood blocks to the tops of both doors to prop them open far enough for air to get in. This stops odor and mold from building up.

Moving

When you are moving your refrigerator to a new home, follow these steps to prepare it for the move.

1. If your refrigerator has an automatic ice maker:
 - Turn off the water supply to the ice maker at least one day ahead of time.
 - Disconnect the water line from the back of the refrigerator.
 - When the last load of ice drops, raise the wire shutoff arm to the Off (up) position or move the switch to the Off setting.
2. Remove all food from the refrigerator and pack all frozen food in dry ice.
3. Empty the ice bin.
4. Depending on the model, turn the refrigerator control to Off or turn cooling off. See “Control Descriptions” in the Quick Start Guide.
5. Unplug refrigerator or disconnect power.
6. Clean, wipe, and dry thoroughly.
7. Take out all removable parts, wrap them well, and tape them together so they don’t shift and rattle during the move.
8. Depending on the model, raise the front of the refrigerator so it rolls more easily, or screw in the leveling legs so they don’t scrape the floor. See “Adjust the Doors” or “Door Removal, Leveling and Alignment” in the online Feature Guide.
9. Tape the doors closed and tape the power cord to the back of the refrigerator.

When you get to your new home, put everything back and refer to the Installation Instructions for preparation instructions. Also, if your refrigerator has an automatic ice maker, remember to reconnect the water supply to the refrigerator.

INSTALLATION INSTRUCTIONS

Unpack the Refrigerator

⚠ WARNING

Excessive Weight Hazard

Use two or more people to move and install or uninstall appliance.

Failure to do so can result in back or other injury.

Remove the Packaging

Dispose of/recycle all packaging materials. Do not use sharp instruments, rubbing alcohol, flammable fluids, or abrasive cleaners to remove tape or glue. These products can damage the surface of your refrigerator. For more information, see “Refrigerator Safety.”

When Moving Your Refrigerator:

Your refrigerator is heavy. When moving the refrigerator for cleaning or service, be sure to cover the floor with cardboard or hardboard to avoid floor damage. Always pull the refrigerator straight out when moving it. Do not wiggle or “walk” the refrigerator when trying to move it, as floor damage could occur.

IMPORTANT:

- For counter-depth models, use 1/2" socket wrench to remove skids (socket extension is recommended).
- All four leveling legs must contact the floor to support and stabilize the full weight of the refrigerator.

Clean Before Using


After you remove all of the package materials, clean the inside of your refrigerator before using it. See the “Cleaning” section in this manual.

Important information to know about glass shelves and covers:

Do not clean glass shelves or covers with warm water when they are cold. Shelves and covers may break if exposed to sudden temperature changes or impact, such as bumping. Tempered glass is designed to shatter into many small, pebble-size pieces. This is normal. Glass shelves and covers are heavy. Use both hands when removing them to avoid dropping.

Location Requirements

⚠ WARNING



Explosion Hazard

Keep flammable materials and vapors, such as gasoline, away from appliance.

Use nonflammable cleaner.

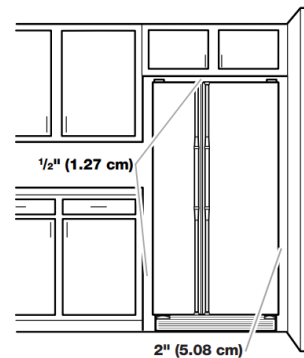
Failure to do so can result in death, explosion, or fire.

IMPORTANT:

- This refrigerator is designed for indoor household use only.
- Observe all governing codes and ordinances.
- **Installer:** Leave Owner’s Manual with homeowner.
- **Homeowner:** Keep Owner’s Manual for future reference and for the local electrical inspector’s use.
- Keep cardboard shipping piece or plywood under refrigerator until it is installed in the operating position.
- Comply with installation specifications and dimensions.
- Remove any moldings or decorative panels from kitchen cabinets that would not allow access to the refrigerator for service.
- Contact a qualified electrical installer.

For Standard Side-by-Side Installation:

To ensure proper ventilation for your refrigerator, allow for 1/2" (1.27 cm) of space on each side and at the top. Allow for 2" (5.08 cm) of space behind the refrigerator. If your refrigerator has an ice maker, allow extra space at the back for the water line connections. When installing your refrigerator next to a fixed wall, leave a 2" (5.08 cm) minimum space on each side (depending on your model) to allow the doors to swing open.



NOTES:

- This refrigerator is intended for use in a location where the temperature ranges from a minimum of 55°F (13°C) to a maximum of 110°F (43°C). The preferred room temperature range for optimum performance, which reduces electricity usage and provides superior cooling, is between 60°F (15°C) and 90°F (32°C). It is recommended that you do not install the refrigerator near a heat source, such as an oven or radiator.
- Normal minimum cabinet cut-out width required for product installation is 36" (91.44 cm). However, if the product is placed against an extended wall and the ability to remove the crisper pans is desired, an additional 18" (45.72 cm) of cabinet width is required, so a total cabinet opening width of 54" (137.16 cm) is recommended.

For Counter-Depth Side-by-Side Installation:

NOTES:

- The refrigerator can be installed into a recessed opening, at the end of cabinets or as a freestanding refrigerator.
- If you are installing the refrigerator to fit flush with the front of the base cabinets, all shoe moulding and baseboards must be removed from the rear of the refrigerator opening. Allow for 1" (2.54 cm) of space behind the refrigerator.
- Location should permit doors to open fully. See “Product Dimensions.”
- This refrigerator is intended for use in a location where the temperature ranges from a minimum of 55°F (13°C) to a maximum of 110°F (43°C). The preferred room temperature range for optimum performance, which reduces electricity usage and provides superior cooling, is between 60°F (15°C) and 90°F (32°C). It is recommended that you do not install the refrigerator near a heat source, such as an oven or radiator.
- Floor must support refrigerator weight (more than 600 lbs. [272 kg]) and contents.

Tools Needed:

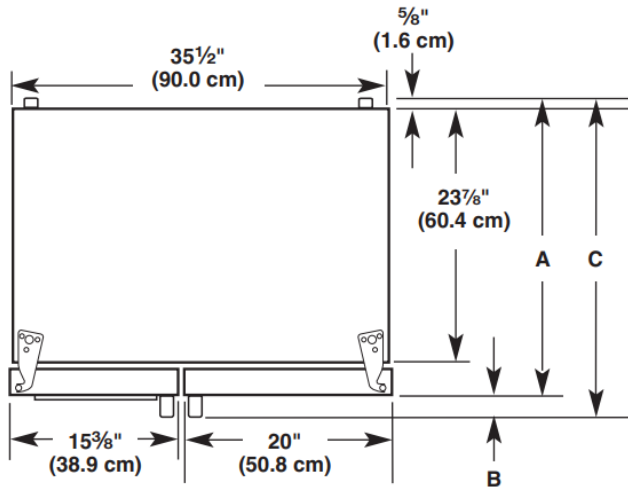
Gather the required tools and parts before starting installation. Read and follow the instructions provided with any tools listed here.

- Cordless drill
- 1/4" nut driver and drill bit
- Flat-blade screwdriver
- Two adjustable wrenches
- 5/16" or adjustable wrench
- 7/16" and 1/2" open-end wrenches
- 3/8" and 1/2" socket wrenches

Parts Needed:

- Your refrigerator dealer has a kit available with a 1/4" (6.35 mm) saddle-type shutoff valve, a union, and copper tubing.
- Or you can purchase 1/4" (6.35 mm) copper tubing with shutoff valve and a 1/4" (6.35 mm) compression fitting (coupling).
- Depending on water line connections, you may also need a 1/4" (6.35 mm) nut and 1/4" (6.35 mm) ferrule.

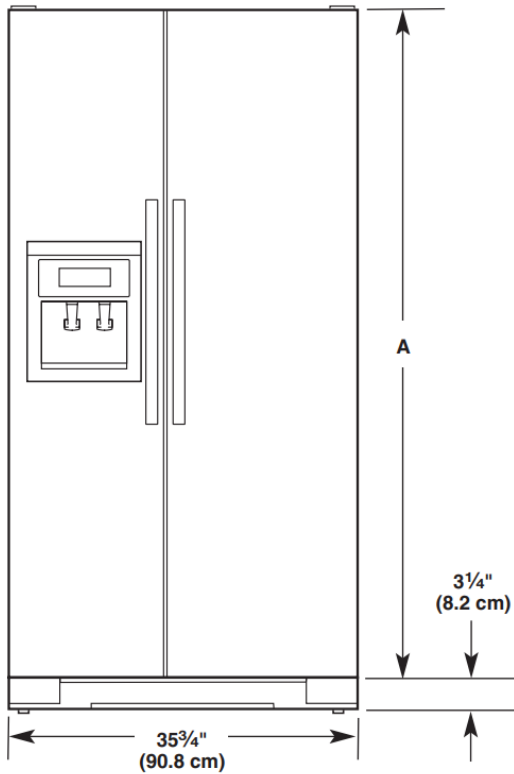
Product Dimensions – Top View



Door Style	Depth A	Depth B	Depth C
Flat	27 1/2" (69.9 cm)	2 5/8" (6.7 cm) maximum*	30" (76.2 cm) maximum*
Curved	28 5/8" (72.7 cm)	2 5/8" (6.7 cm)	31 1/8" (79.1 cm)

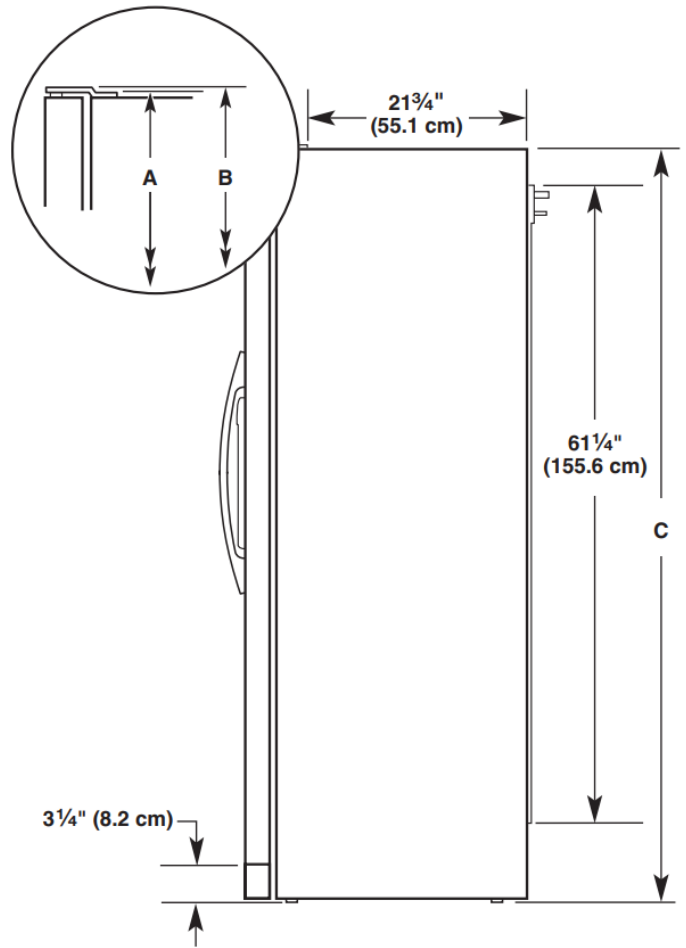
*Dimension may vary based on style of door handle. The depth for the largest available handle is listed.

Product Dimensions – Front View



Model Size	Height A
69"	65 3/4" (167.0 cm)
72"	68 1/8" (173.0 cm)

Product Dimensions – Side View

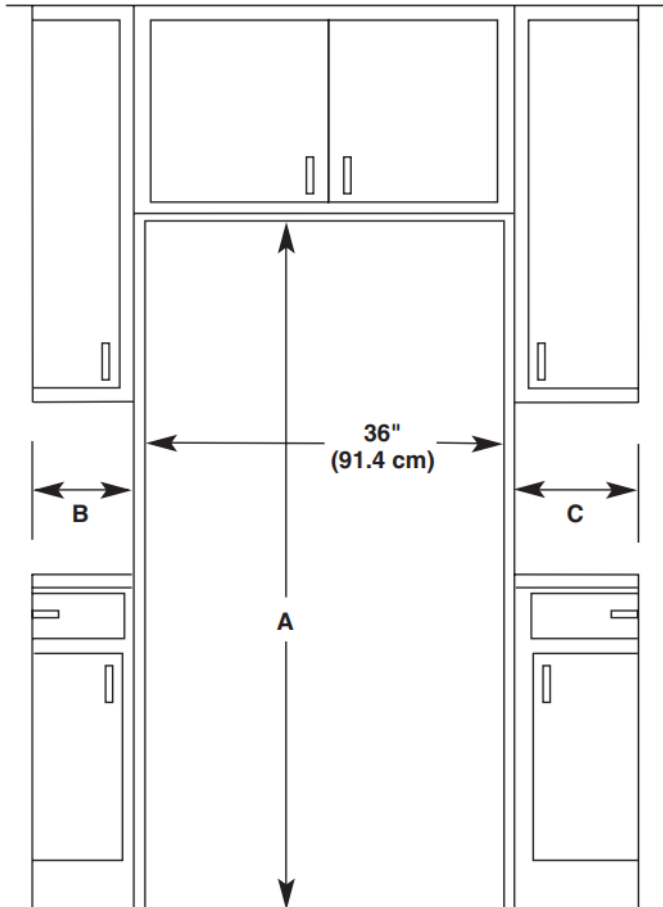


- Height dimensions are shown with the leveling legs extended to the minimum height of 1/4" (6.35 mm) below the refrigerator. **NOTE:** When leveling legs are fully extended to 1" (25 mm) below the refrigerator, add 3/4" (19 mm) to the height dimensions.
- The power cord is 61 1/4" (155.6 cm) long.
- The water line attached to the back of the refrigerator is 78" (198.1 cm) long.

Model Size	Height A	Height B	Height C
69"	68 7/8" (174.9 cm)	68 7/8" (174.9 cm)	68 1/2" (174.0 cm)
72"	71 1/4" (181.0 cm)	71 1/4" (181.0 cm)	71" (180.3 cm)

Opening Dimensions

- Height dimensions are shown with the leveling legs extended to the minimum height of 1/4" (6.35 mm) below the refrigerator.
- NOTE:** When leveling legs are fully extended to 1" (25 mm) below the refrigerator, add 3/4" (19 mm) to the height dimensions.
- In the following graphic, "A" represents the opening height required for standard cabinets. For full-overlay cabinet doors with a trim kit, add 1/8" (0.3 cm).
- In the following graphic, "B" represents the distance needed to fully open the freezer door and "C" represents the distance needed to fully open the refrigerator door.

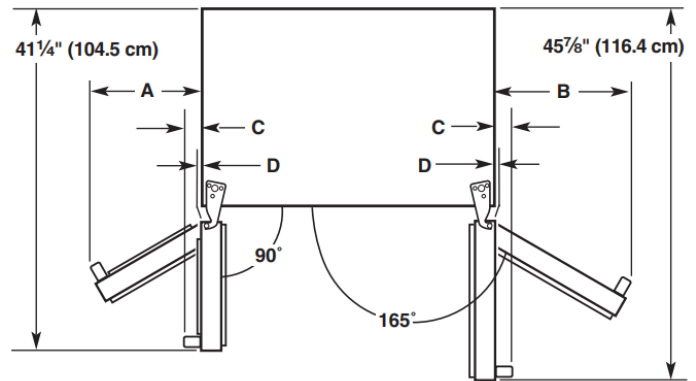


Model Size and Door Style	Height A	Width B	Width C
69" Flat	69" (175.3 cm)	13 5/8" (34.6 cm) maximum*	18 1/8" (46.0 cm) maximum*
72" Flat	72" (182.9 cm)	71 1/4" (181.0 cm) maximum*	18 1/8" (46.0 cm) maximum*
69" Curved	69" (175.3 cm)	13 5/8" (34.6 cm)	18 3/8" (46.7 cm)
72" Curved	72" (182.9 cm)	13 3/4" (34.9 cm)	18 3/8" (46.7 cm)

*Dimension may vary based on style of door handle. The width for the largest available handle is listed.

Door Swing Dimensions

- Location must permit doors to open to a minimum of 165°.
- In the following graphic, "A" represents the distance needed to fully open the freezer door and "B" represents the distance needed to fully open the refrigerator door.



Dimension	Flat Doors	Curved Doors
A	13 5/8" (34.6 cm) maximum*	13 3/4" (34.9 cm)
B	18 1/8" (46.0 cm) maximum*	18 3/8" (46.7 cm)
C	2 3/4" (7.0 cm) maximum*	3 3/4" (9.5 cm)
D	1/8" (0.3 cm)	1 1/4" (3.2 cm)

*Dimension may vary based on style of door handle. The width for the largest available handle is listed.

Electrical Requirements

⚠ WARNING



Electrical Shock Hazard

Plug into a grounded 3 prong outlet.

Do not remove ground prong.

Do not use an adapter.

Do not use an extension cord.

Failure to follow these instructions can result in death, fire, or electrical shock.

Before you move your refrigerator into its final location, it is important to make sure you have the proper electrical connection.

Recommended Grounding Method

A 115 V, 60 Hz, AC-only, 15 A or 20 A fused, grounded electrical supply is required. It is recommended that a separate circuit serving only your refrigerator be provided. Use an outlet that cannot be turned off by a switch. Do not use an extension cord.

NOTE: Before performing any type of installation, cleaning, or removing a light bulb, turn cooling off or turn the control (thermostat, refrigerator, or freezer control depending on the model) to Off. Then disconnect the refrigerator from the electrical source. When you are finished, reconnect the refrigerator to the electrical source. Turn cooling on or reset the control (thermostat, refrigerator, or freezer control depending on the model) to the desired setting. See “Control Descriptions” in the Quick Start Guide.

Water Supply Requirements

Gather the required tools and parts before starting installation. Read and follow the instructions provided with any tools listed here.

Tools Needed:

- Flat-blade screwdriver
- 7/16" and 1/2" open-end or two adjustable wrenches
- 1/4" nut driver
- 1/4" drill bit
- Cordless drill

NOTE: Your refrigerator dealer has a kit available with a 1/4" (6.35 mm) saddle-type shutoff valve, a union, and copper or PEX tubing. Before purchasing, make sure a saddle-type valve complies with your local plumbing codes. Do not use a piercing-type or 3/16" (4.76 mm) saddle valve, which reduces water flow and clogs more easily.

IMPORTANT:

- All installations must meet local plumbing code requirements.
- Use copper or PEX tubing and check for leaks. Install copper or PEX tubing only in areas where the household temperatures will remain above freezing.

Water Pressure

A cold water supply with water pressure of between 30 and 120 psi (207 and 827 kPa) is required to operate the water dispenser and ice maker. If you have questions about your water pressure, call a licensed, qualified plumber.

If your refrigerator has a water dispenser: After installation is complete, use the water dispenser to check the water pressure.

- With the water filter removed, dispense 1 cup (237 mL) of water. If 1 cup of water is dispensed in 8 seconds or less, the water pressure to the refrigerator meets the minimum requirement.
- If it takes longer than 8 seconds to dispense 1 cup of water, the water pressure to the refrigerator is lower than recommended. See online “Troubleshooting” for suggestions.

Reverse Osmosis Water Supply

IMPORTANT: The pressure of the water supply coming out of a reverse osmosis system going to the water inlet valve of the refrigerator needs to be between 30 and 120 psi (207 and 827 kPa).

If a reverse osmosis water filtration system is connected to your cold water supply, the water pressure to the reverse osmosis system needs to be a minimum of 40 to 60 psi (276 to 414 kPa).

If the water pressure to the reverse osmosis system is less than 40 to 60 psi (276 to 414 kPa):

- Check to see whether the sediment filter in the reverse osmosis system is blocked. Replace the filter if necessary.
- Allow the storage tank on the reverse osmosis system to refill after heavy usage.
- If your refrigerator has a water filter, it may further reduce the water pressure when used in conjunction with a reverse osmosis system. Remove the water filter. See “Water Filtration System”.

If you have questions about your water pressure, call a licensed, qualified plumber.

Connect Water Supply

Read all directions before you begin.

IMPORTANT:

- Connect to potable water supply only.
- Plumbing shall be installed in accordance with the International Plumbing Code and any local codes and ordinances.
- The gray water tubing on the back of the refrigerator (which is used to connect to the household water line) is a PEX (cross-linked polyethylene) tube. Copper or PEX tubing connections from the household water line to the refrigerator are acceptable, and will help avoid off-taste or odor in your ice or water. Check for leaks. For recommended parts if PEX tubing is used instead of copper: W10505928RP (7 ft. [2.14 m] jacketed PEX), 8212547RP (5 ft. [1.52 m] PEX), or W10267701RP (25 ft. [7.62 m] PEX).
- Install tubing only in areas where temperatures will remain above freezing.

Tools Needed:

Gather the required tools and parts before starting installation. Read and follow the instructions provided with any tools listed here.

- Flat-blade screwdriver
- 7/16" and 1/2" open-end wrenches or two adjustable wrenches
- 1/4" nut driver

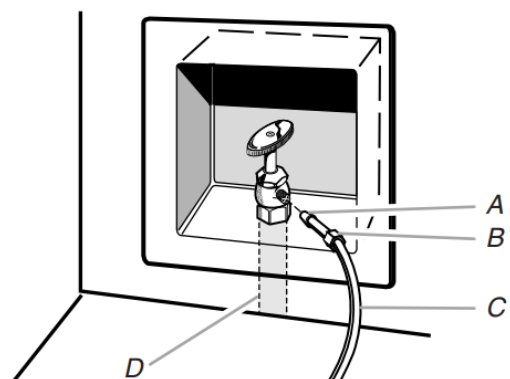
Connect to Water Line

IMPORTANT: If you turn on the refrigerator before the water line is connected, turn off the ice maker.

Style 1 (Recommended)

1. Unplug refrigerator or disconnect power.
2. Turn off main water supply. Turn on nearest faucet long enough to clear line of water.
3. Use a quarter-turn shutoff valve or the equivalent, served by a 1/2" copper or PEX household supply line.

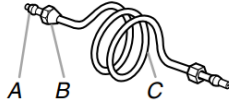
NOTE: To allow sufficient water flow to the refrigerator, a minimum 1/2" size copper or PEX household supply line is recommended.



A. Bulb
B. Nut

C. Copper or PEX tubing (to refrigerator)
D. Household supply line (1/2" minimum)

- Now you are ready to connect the copper or PEX tubing to the shutoff valve. Use 1/4" (6.35 mm) O.D. (outside diameter) soft copper or PEX tubing to connect the shutoff valve and the refrigerator.
 - Ensure that you have the proper length needed for the job. Be sure both ends of the copper tubing are cut square.
 - Slip compression sleeve and compression nut onto copper tubing as shown. (PEX tubing has compression sleeves and compression nuts preinstalled.) Insert end of tubing into outlet end squarely as far as it will go. Screw compression nut onto outlet end with adjustable wrench. Do not overtighten.



A. Compression sleeve C. Copper or PEX tubing
B. Compression nut

- Place the free end of the tubing into a container or sink, and turn on main water supply to flush out tubing until water is clear. Turn off shutoff valve on the water pipe.

NOTE: Always drain the water line before making the final connection to the inlet of the water valve, to avoid possible water valve malfunction.

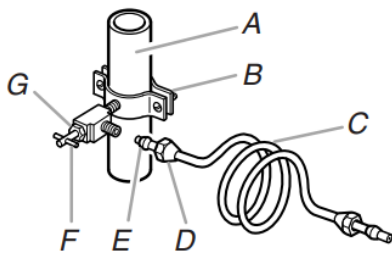
- Bend the copper or PEX tubing to meet the water line inlet, which is located on the back of the refrigerator cabinet. Leave a coil of copper or PEX tubing to allow the refrigerator to be pulled out of the cabinet or away from the wall for service.

Style 2

- Unplug refrigerator or disconnect power.
- Turn off main water supply. Turn on nearest faucet long enough to clear line of water.
- Locate a 1/2" (1.27 cm) to 1 1/4" (3.18 cm) vertical cold water pipe near the refrigerator.

IMPORTANT:

- Make sure it is a cold water pipe.
 - Horizontal pipe will work, but drill on the top side of the pipe, not the bottom. This will help keep water away from the drill and normal sediment from collecting in the valve.
- Determine the length of copper or PEX tubing you need. Measure from the connection on the lower rear corner of refrigerator to the water pipe. Add 7 ft. (2.1 m) to allow for cleaning. Use 1/4" (6.35 mm) O.D. (outside diameter) copper or PEX tubing. Be sure both ends of copper or PEX tubing are cut square.
 - Using a cordless drill, drill a 1/4" (6.35 mm) hole in the cold water pipe you have selected.



A. Cold water pipe E. Compression sleeve
B. Pipe clamp F. Shutoff valve
C. Copper or PEX tubing G. Packing nut
D. Compression nut

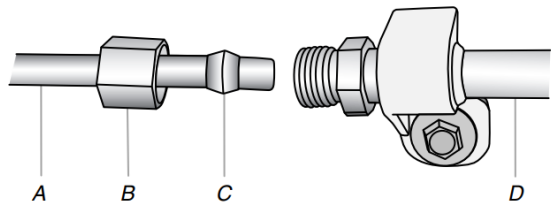
- Fasten the shutoff valve to the cold water pipe with the pipe clamp. Be sure the outlet end is solidly in the 1/4" (6.35 mm) drilled hole in the water pipe and that the washer is under the pipe clamp. Tighten the packing nut. Tighten the pipe clamp screws slowly and evenly so the washer makes a watertight seal. Do not overtighten, or you may crush the copper or PEX tubing.
- Slip compression sleeve and compression nut onto copper tubing as shown. (PEX tubing has compression sleeves and compression nuts preinstalled.) Insert end of tubing into outlet end squarely as far as it will go. Screw compression nut onto outlet end with adjustable wrench. Do not overtighten.
- Place the free end of the tubing in a container or sink, and turn on the main water supply. Flush the tubing until water is clear. Turn off the shutoff valve on the water pipe. Coil the tubing.

Connect to Refrigerator

Style 1

- Unplug refrigerator or disconnect power.
- Remove and discard the short, black plastic part from the end of the water line inlet.
- Thread the nut onto the end of the tubing. Tighten the nut by hand. Then tighten it with a wrench two more turns. Do not overtighten.

NOTE: To avoid rattling, be sure the copper tubing does not touch the cabinet's side wall or other parts inside the cabinet.

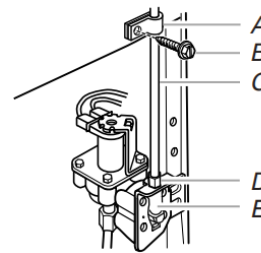


A. Household water line C. Ferrule (purchased)
B. Nut (purchased) D. Refrigerator water tubing

- Install the water supply tube clamp around the water supply line to reduce strain on the coupling.
- Turn shutoff valve on.
- Check for leaks. Tighten any connections (including connections at the valve) or nuts that leak.

Style 2

- Unplug refrigerator or disconnect power.
- Remove and discard the plastic part that is attached to the inlet of the water valve.
- Attach the copper or PEX tube to the valve inlet using a compression nut and sleeve as shown. Tighten the compression nut. Do not overtighten.



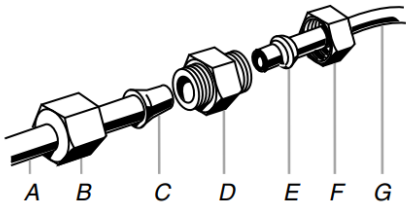
A. Tube clamp D. Compression nut
B. Tube clamp screw E. Valve inlet
C. Copper tubing

- Use the tube clamp on the back of the refrigerator to secure the tubing to the refrigerator as shown. This will help avoid damage to the tubing when the refrigerator is pushed back against the wall.
- Turn shutoff valve on.
- Check for leaks. Tighten any connections (including connections at the valve) or nuts that leak.
- On some models, the ice maker is equipped with a built-in water strainer. If your water conditions require a second water strainer, install it in the 1/4" (6.35 mm) water line at either tube connection. Obtain a water strainer from your nearest appliance dealer.

Style 3

- Unplug refrigerator or disconnect power.
- Remove and discard the black nylon plug from the gray water tube on the rear of the refrigerator.
- If the gray water tube supplied with the refrigerator is not long enough, a 1/4" x 1/4" (6.35 mm x 6.35 mm) coupling is needed in order to connect the water tubing to an existing household water line. Thread the provided nut onto the coupling on the end of the copper or PEX tubing.

NOTE: Tighten the nut by hand. Then tighten it with a wrench two more turns. Do not overtighten.



- | | |
|------------------------------|-------------------------|
| A. Refrigerator water tubing | E. Ferrule (purchased) |
| B. Nut (provided) | F. Nut (purchased) |
| C. Bulb | G. Household water line |
| D. Coupling (purchased) | |

- Turn shutoff valve on.
- Check for leaks. Tighten any connections (including connections at the valve) or nuts that leak.

Complete the Installation

⚠ WARNING



Electrical Shock Hazard

- Plug into a grounded 3 prong outlet.
- Do not remove ground prong.
- Do not use an adapter.
- Do not use an extension cord.
- Failure to follow these instructions can result in death, fire, or electrical shock.

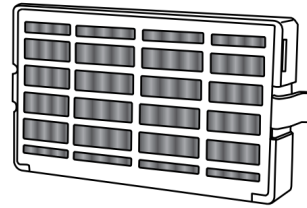
- Plug into a grounded 3-prong outlet.

- Wait a few minutes. Check that the compressor is operating properly and that all lights are working.
NOTE: If the refrigerator does not operate, check that the circuit breaker is not tripped or that the household fuse has not blown.
- Flush the water system. See "Water and Ice Dispensers."
NOTE: Allow 24 hours to produce the first batch of ice. Allow 72 hours to completely fill ice container.

IMPORTANT: If construction will continue after refrigerator has been installed, unplug refrigerator or disconnect power.

Install Air Filter (on some models)

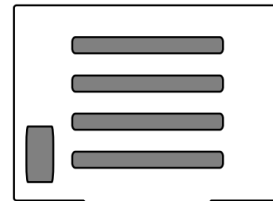
On some models, your refrigerator's accessory packet includes an air filter, which must be installed prior to use. On some models, the air filter is already installed at the factory. To order a replacement air filter, use part number W10311524.



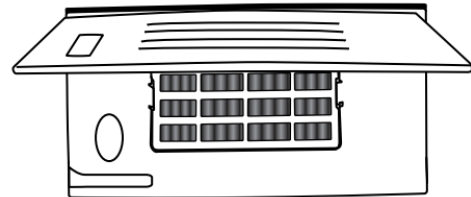
The air filter reduces the buildup of odors. This helps to maintain a cleaner environment inside the refrigerator.

Installing the Air Filter

The filter should be installed behind the vented door, which is located (depending on your model) along either the rear or left interior wall near the top of the refrigerator compartment.



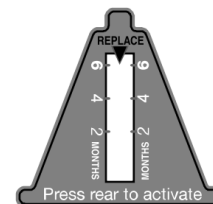
- Remove the air filter from its packaging.
- Lift open the vented door.
- Snap the filter into place.



- Close the vented door.

Installing the Filter Status Indicator (on some models)

The filter comes with a status indicator, which should be activated and installed at the same time the air filter is installed.



1. Place the indicator facedown on a firm, flat surface.
 2. Apply pressure to the bubble on the back of the indicator, until the bubble pops to activate the indicator.
 3. Lift open the vented air filter door. On some models, there are notches behind the door.
 4. **On models with notches:**
 - Slide the indicator down into the notches, facing outward.

NOTE: The indicator will not easily slide into the notches if the rear bubble has not been popped.

 - Close the air filter door, and check that the indicator is visible through the rectangular hole in the door.
- On models without notches:**
- Place the indicator in a visible place you will easily remember—either inside the refrigerator or elsewhere in your kitchen or home.

Replacing the Air Filter

The disposable air filter should be replaced every 6 months, when the status indicator has completely changed from white to red.

To order a replacement air filter, see ordering information in the Quick Start Guide.

1. Remove the old air filter by squeezing in on the side tabs.
2. Remove the old status indicator.
3. Install the new air filter and status indicator using the instructions in the previous sections.

Install Produce Preserver (on some models)

Your refrigerator's accessory packet includes a Produce Preserver, which should be installed prior to use. On some models, the Produce Preserver is already installed at the factory. To order a replacement produce preserver, use part number W10346771.

The Produce Preserver absorbs ethylene, allowing the ripening process of many produce items to slow down. As a result, certain produce items will stay fresh longer.

Ethylene production and sensitivity varies depending on the type of fruit or vegetable. To preserve freshness, it is best to separate produce with sensitivity to ethylene from fruits that produce moderate to high amounts of ethylene.

	Sensitivity to Ethylene	Ethylene Production
Apples	High	Very High
Asparagus	Medium	Very Low
Berries	Low	Low
Broccoli	High	Very Low
Cantaloupe	Medium	High
Carrots	Low	Very Low
Citrus Fruit	Medium	Very Low
Grapes	Low	Very Low
Lettuce	High	Very Low
Pears	High	Very High
Spinach	High	Very Low

Installing the Produce Preserver

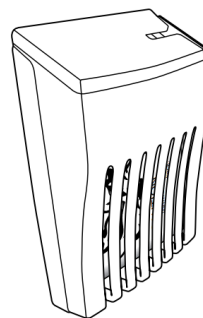
CAUTION: IRRITANT. MAY IRRITATE EYES AND SKIN. DANGEROUS FUMES FORM WHEN MIXED WITH OTHER PRODUCTS.

MAY IRRITATE EYES AND SKIN. DANGEROUS FUMES FORM WHEN MIXED WITH OTHER PRODUCTS.

Do not mix with cleaning products containing ammonia, bleach, or acids. Do not get in eyes, on skin or clothing. Do not breathe dust. Keep out of reach of children.

FIRST AID TREATMENT: Contains potassium permanganate. If swallowed, call a Poison Control Center or doctor immediately. Do not induce vomiting. If in eyes, rinse with water for 15 minutes. If on skin, rinse with water.

The Produce Preserver pouches should be installed in their housing, which is located along an interior side wall of the crisper or convertible drawer.

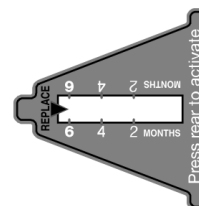


NOTE: For best performance, always use two pouches.

1. Remove the Produce Preserver pouches from their packaging.
2. Lift up on the housing in order to remove it from its mounting tab along the wall.
3. Open the housing by pulling up and out on the back of the top of the housing.
4. Place both pouches inside the housing; then snap the housing back together.
5. Place the housing back on the mounting tab along the wall.

Installing the Status Indicator

The Produce Preserver comes with a status indicator, which should be activated and installed at the same time the pouch is installed.



1. Place the indicator facedown on a firm, flat surface.
 2. Apply pressure to the bubble on the back of the indicator, until the bubble pops to activate the indicator.
 3. Slide open the cap on the Produce Preserver housing.
 4. Place the indicator in the top of the housing, facing outward.
 5. Slide the cap closed, and check that the indicator is visible through the rectangular hole in the cap.
- NOTE:** The cap will not close easily if the indicator's rear bubble has not been popped.

Replacing the Produce Preserver Pouches

The disposable pouches should be replaced every 6 months, when the status indicator has completely changed from white to red.

To order replacements, see the contact information in the Quick Start Guide. Order part number W10346771A or FRESH1.

1. Remove the used pouches from the produce preserver housing.



2. Remove the old status indicator.
3. Install the new pouches and status indicator using the instructions in the previous sections.

REFRIGERATOR FEATURES

Convertible Drawer Temperature Control (on some models)

The control can be adjusted to properly chill meats or vegetables. The air inside the pan is cooled to avoid “spot” freezing and can be set to keep meats at the National Livestock and Meat Board recommended storage temperatures of 28° to 32°F (–2° to 0°C).

To store meat:

Set the control to one of the three Meat settings to store meat at its optimal storage temperature.

To store vegetables:

Set the control to Veg to store vegetables at their optimal storage temperatures.

NOTE: If food starts to freeze, move the control to the right (less cold), toward the Veg setting. Remember to wait 24 hours between adjustments.

Crisper Humidity Control (on some models)

You can control the amount of humidity in the moisture-sealed crisper. Adjust the control to any setting between Low and High.

LOW (open) for best storage of fruits and vegetables with skins.

HIGH (closed) for best storage of fresh, leafy vegetables.

Dual Evaporator (on some models)

Some models come equipped with a dual sequential evaporation system which includes two separate evaporators for the refrigerator and freezer compartments.

Dual evaporation results in higher humidity, which helps keep foods in the refrigerator from spoiling as quickly and improves food quality and freshness in the freezer due to decreased freezer burn. In addition, the dual evaporation system helps keep food smells in the refrigerator from transferring to ice in the freezer.

NOTE: The dual evaporation system is always activated when your refrigerator is operating. You do not need to press any buttons to turn it on.

Water and Ice Dispensers

On how to use your water and ice dispensers, see the online “Side-by-Side Refrigerator Dispensers” Feature Guide.

NOTES:

- Connect to potable water supply only.
- The dispensing system will not operate when either door (refrigerator or freezer) is open.
- Allow 24 hours for the refrigerator to cool down and chill water.
- Allow 24 hours to produce the first batch of ice. Discard the first three batches of ice produced. Wait 72 hours for full ice production.
- On some models, the display screen on the dispenser control panel will turn off automatically and enter “sleep” mode when the control buttons and dispenser pads have not been used for 2 minutes or more. While in “sleep” mode, the first press of a control button will only reactivate the display screen, without changing any settings.

Flush the Water System

Air in the water dispensing system can cause the water dispenser to drip. After connecting the refrigerator to a water source or replacing the water filter, flush the water system. Flushing the water dispensing system forces air from the water line and filter and prepares the water filter for use.

NOTE: As air is cleared from the system, water may spurt out of the dispenser.

1. Using a sturdy container, depress and hold the water dispenser pad for 5 seconds; then release it for 5 seconds.
2. Repeat step 1 until water begins to flow.
3. Once water begins to flow, continue depressing and releasing the dispenser pad (5 seconds on, 5 seconds off) until a total of 3 gal. (12 L) has been dispensed.

Additional flushing may be required in some households.

The Water Dispenser

IMPORTANT:

Dispense at least 1 qt. (1 L) of water every week to maintain a fresh supply.

If the flow of water from the dispenser decreases, it could be caused by low water pressure.

- With the water filter removed, dispense 1 cup (237 mL) of water. If 1 cup of water is dispensed in 8 seconds or less, the water pressure to the refrigerator meets the minimum requirement.
- If it takes longer than 8 seconds to dispense 1 cup of water, the water pressure to the refrigerator is lower than recommended. See “Water Supply Requirements” or online “Troubleshooting” for suggestions.

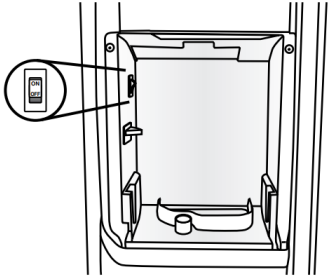
Ice Maker and Storage Bin

- Allow 24 hours to produce the first batch of ice. Discard the first three batches of ice produced.
- The quality of your ice will be only as good as the quality of the water supplied to your ice maker. Avoid connecting the ice maker to a softened water supply. Water softener chemicals (such as salt) can damage parts of the ice maker and lead to poor quality ice. If a softened water supply cannot be avoided, make sure the water softener is operating properly and is well maintained.
- Do not use anything sharp to break up the ice in the storage bin. This can cause damage to the ice container and the dispenser mechanism.
- Do not store anything on top of or in the ice maker or storage bin.

Style 1

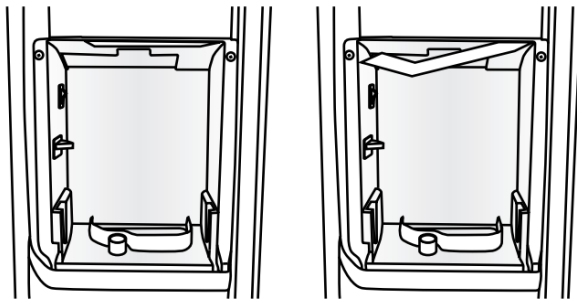
Turning the Ice Maker On/Off:

The On/Off switch, located on the left wall of the freezer door, can only be accessed when the ice storage bin has been removed. See the following section for bin removal instructions.



- To turn on the ice maker, flip the switch to the On (up) position.
- To manually turn off the ice maker, flip the switch to the Off (down) position.

NOTE: The ice maker has an automatic shutoff to keep the storage bin from overflowing during normal operation. As ice is made, the ice cubes will fill the ice storage bin, and the ice cubes will raise the shutoff arm to the Off (arm up) position. When the storage bin is at full capacity, the ice maker will automatically stop ice production, but the ice maker On/Off switch will remain in the On (up) position.

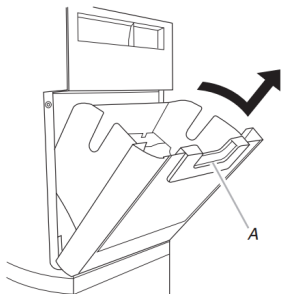


Ice production Off
(Shutoff arm up)

Ice production On
(Shutoff arm down)

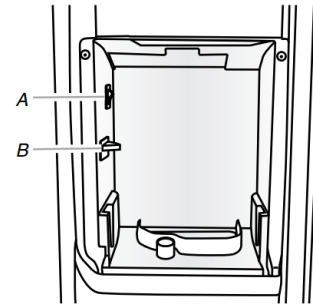
Removing and Replacing the Ice Storage Bin:

1. Press down the release lever and tilt the bucket outward. Use both hands to hold the base of the storage bin, and then lift it up and out.



A. Release lever

NOTE: It is not necessary to flip the ice maker On/Off switch to the Off (down) position when removing the storage bin. The storage bin sensor, located on the left wall (right wall on some models) of the freezer door, stops the ice maker from producing ice if the door is open or the storage bin is removed.



A. On/Off switch

B. Storage bin sensor

2. Replace the bin by sliding it onto the door, and then tilting it back into an upright position. The release lever will click when the bin is securely in place.

Style 2

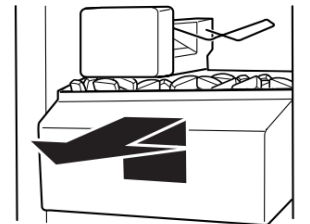
Turning the Ice Maker On/Off:

- To turn on the ice maker, lower the wire shutoff arm to the On position.
- To manually turn off the ice maker, lift the wire shutoff arm to the Off (arm up) position and listen for the click. Ice can still be dispensed, but no more can be made.

NOTE: The ice maker has an automatic shutoff to keep the storage bin from overflowing during normal operation. As ice is made, the ice cubes will fill the ice storage bin, and the ice cubes will raise the wire shutoff arm to the Off (arm up) position. Do not force the wire shutoff arm up or down.

Removing and Replacing the Ice Storage Bin:

1. Pull the covering panel up from the bottom.
2. Lift the wire shutoff arm so it clicks into the Off (up) position.
3. Lift up the front of the storage bin and pull it out.



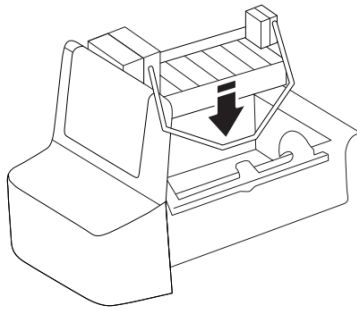
4. Replace the bin by pushing it in all the way or the dispenser will not work.
5. To restart ice production, lower the wire shutoff arm to the On (down) position. Make sure the door is closed tightly.

Style 3

Turning the Ice Maker On/Off:

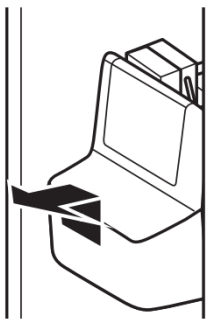
- To turn on the ice maker, lift open the ice maker door and lower the wire shutoff arm to the On position.
- To manually turn off the ice maker, lift the wire shutoff arm to the Off (arm up) position and listen for the click. Ice can still be dispensed, but no more can be made.

NOTE: The ice maker has an automatic shutoff to keep the storage bin from overflowing during normal operation. As ice is made, the ice cubes will fill the ice storage bin, and the ice cubes will raise the wire shutoff arm to the Off (arm up) position. Do not force the wire shutoff arm up or down.



Removing and Replacing the Ice Storage Bin:

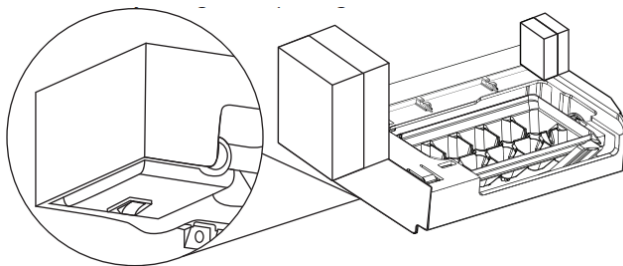
1. Lift and hold open the ice maker door.
2. Lift the wire shutoff arm so it clicks into the Off (up) position. Release the ice maker door.
3. Lift up the front of the storage bin and pull it out.
4. Replace the bin by pushing it in all the way or the dispenser will not work.
5. To restart ice production, lift open the ice maker door and push the wire shutoff arm down to the On position.



Style 4

Turning the Ice Maker On/Off:

The On/Off switch is located on the bottom of the ice maker, which can be accessed by lifting and opening the ice maker door.



- To turn on the ice maker, lift open the ice maker door, and flip the switch to the On (right) position.
- To manually turn off the ice maker, lift open the ice maker door, and flip the switch to the Off (left) position. Ice can still be dispensed, but no more can be made.

NOTE: Your ice maker has an automatic shutoff to keep the storage bin from overflowing during normal operation. As ice is made, the ice cubes will fill the ice storage bin, and the ice cubes will raise the shutoff arm to the Off (arm up) position. When the storage bin is at full capacity, the ice maker will automatically stop ice production, but the ice maker On/Off switch will remain in the On (up) position.

Removing and Replacing the Ice Storage Bin:

1. Pull the covering panel up from the bottom.
2. Lift the plastic shutoff arm so it clicks into the Off (up) position.
3. Lift up the front of the storage bin and pull it out.
4. Replace the bin by pushing it in all the way or the dispenser will not work.
5. To restart ice production, lower the plastic shutoff arm to the On (down) position. Make sure the door is closed tightly.

Water Filtration System

Do not use with water that is microbiologically unsafe or of unknown quality without adequate disinfection before or after the system. Systems certified for cyst reduction may be used on disinfected waters that may contain filterable cysts.

Water Filter Status Light

The water filter status light will help you know when to change your water filter. This is located on the refrigerator control panel. To order a replacement water filter use part number W10295370A (P4RFWB).

Style 1 – Order and Replace status:

- When the dispenser control panel's water filter status display changes to "Order," this tells you that it is almost time to change the water filter cartridge.
- Replace the water filter cartridge when the water filter status display changes to "Replace."

NOTE: If water flow to your water dispenser or ice maker decreases noticeably, change the filter sooner. The filter should be replaced at least every 6 months, depending on your water quality and usage.

Style 2 – Red light status:

- When the light turns red on the control panel, this tells you that it is time to change the water filter cartridge.
- It is recommended that you replace the filter when the status light turns red or water flow to your water dispenser or ice maker decreases noticeably.

NOTE: The filter should be replaced at least every 6 months, depending on your water quality and usage.

Resetting the Filter Status

After changing the water filter, reset the status light.

■ **For models with the Options button:**

Press the Options button to enter Options mode, press Lock to initiate the reset, and then press Measured Fill to confirm that you want to reset the status light. When the system is reset, the "Order" and "Replace" icons will disappear from the display screen.

■ **For models with the Filter button:**

Press and hold the Filter button for 3 seconds to reset the status light. When the system is reset, the "Order" and "Replace" icons will disappear from the display screen.

■ **For models with the Temp Setting button:**

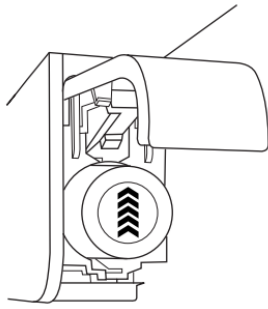
The reset button is located on the control panel in the refrigerator compartment. To reset the status light after changing the filter, press Temp Setting within 3 seconds. The status light will change from red to off when the system is reset.

■ **For models with the Light and Ice Type buttons:**

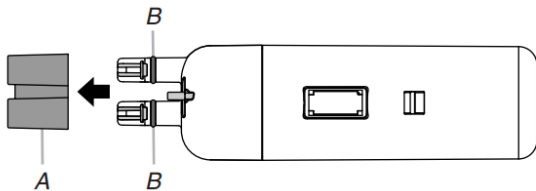
Reset the filter status light by pressing and hold Light and Ice Type buttons for 3 seconds. The status light will turn off when the system is reset.

Changing the Water Filter

Style 1 – Top-right corner location:



1. Locate the water filter in the top-right corner of the refrigerator compartment.
2. Lift open the filter cover door. The filter will be released and then be ejected as the door is opened.
3. When the door is completely open, pull the filter straight out.
NOTE: There may be some water in the filter. Some spilling may occur. Use a towel to wipe up any spills.
4. Take the new filter out of its packaging and remove the cap. Be sure the O-rings are still in place after the cap is removed.

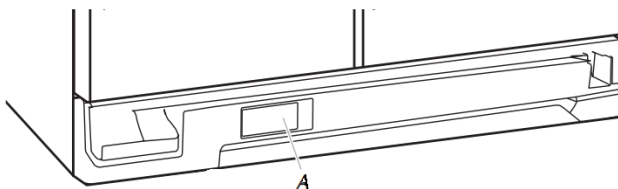


A. Cap

B. O-rings

5. With the arrow pointing up, align the new filter with the filter housing and slide it into place. The filter cover door will automatically begin to close as the new filter is inserted.
6. Close the filter cover door completely in order to snap the filter into place. You may need to press hard.
7. After changing the filter, reset the filter status light.
8. Flush the water system. See “Water and Ice Dispensers” for details.

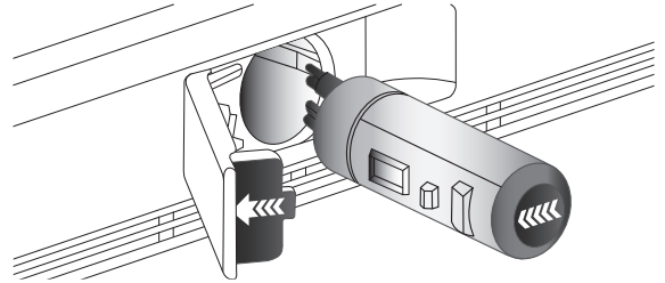
Style 2 – Base grille location (automatic ejection):



A. Water filter cover door

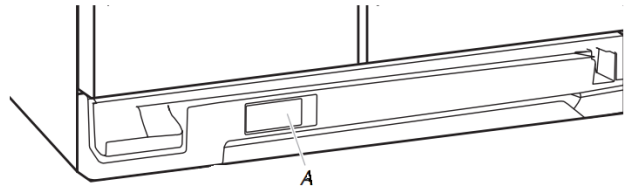
1. Locate the water filter cover door in the base grille, and pull open the filter door. The filter will be released and then be ejected as the door is opened.

2. When the door is completely open, pull the filter straight out.
NOTE: There may be some water in the filter. Some spilling may occur. Use a towel to wipe up any spills.



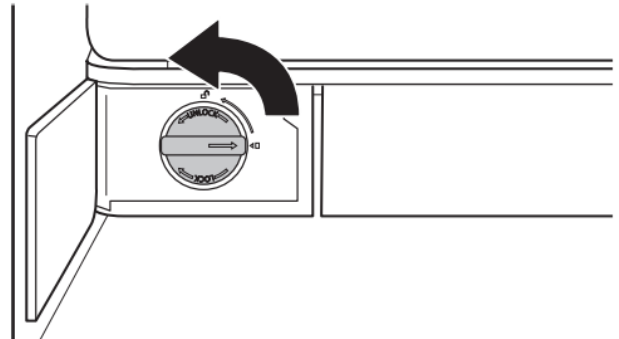
3. Take the new filter out of its packaging and remove the covers from the O-rings. Be sure the O-rings are still in place after the covers are removed.
4. With the arrow pointing to the left (toward the filter cover door's hinge), align the new filter with the filter housing and slide into place. The filter cover door will automatically begin to close as the new filter is inserted.
5. Close the filter cover door completely in order to snap the filter into place. You may need to press hard.
6. Flush the water system. See “Water and Ice Dispensers” for details.

Style 3 – Base grille location (manual turn):

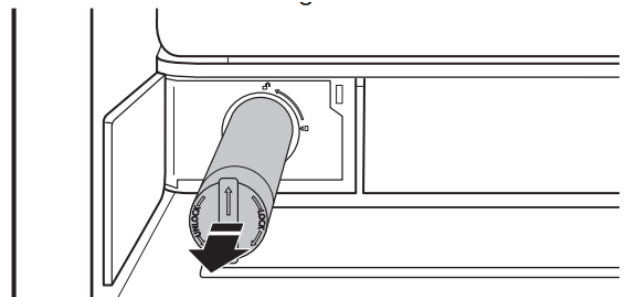


A. Water filter cover door

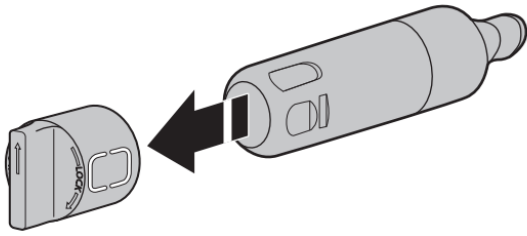
1. Locate the water filter cover door in the base grille, and pull open the filter door.
2. Twist the water filter and turn 90° counterclockwise to unlock.



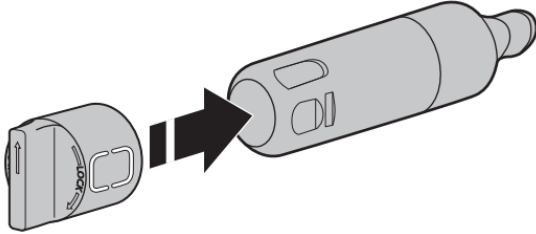
3. Pull the filter out of the housing.



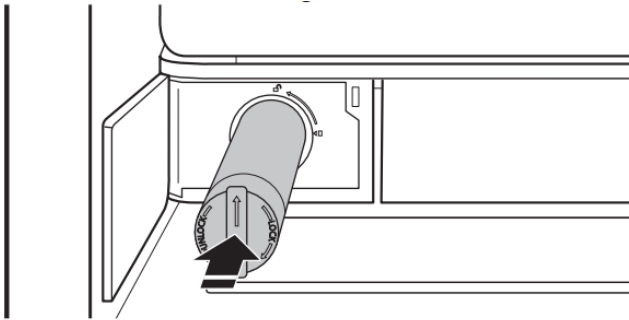
- Remove the water filter cap from the water filter.



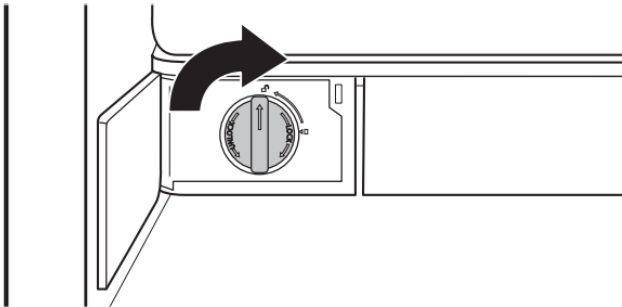
- Install the water filter cap onto the new filter. Be sure to align the arrows so the grooves in the filter align with ribs in the filter cap.



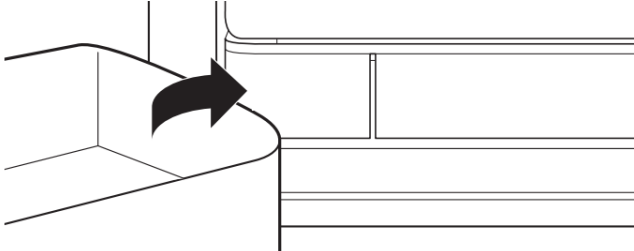
- Insert the filter into the housing.



- Twist the water filter and turn 90° clockwise until it locks into place and the arrows are aligned.



- Push the water filter door closed.



DOOR REMOVAL AND LEVELING STYLE 1

Door Instructions

Gather the required tools and parts and read all instructions before starting installation. Save these instructions for future reference.

⚠ WARNING



Electrical Shock Hazard

Disconnect power before removing doors.

Failure to do so could result in death or electrical shock.

NOTE: Before moving your refrigerator into your home, measure the doorway of your home to see whether you need to remove the refrigerator and freezer doors. If door removal is necessary, see the instructions below.

TOOLS NEEDED Depending on your model, you may need the following: Bubble level, flat-blade screwdriver, Phillips screwdriver tip #2 with 4" long as minimum, 3/16" hex key, 1/4", 3/8", and 5/16" hex-head socket wrench, 1/4" and 5/16" open-ended wrenches or adjustable wrench, internal star drive or 3/8" hex-head socket wrench, TORX T30 screwdriver.

Install and Remove Door Handles

Refrigerator Door Handle Style 1

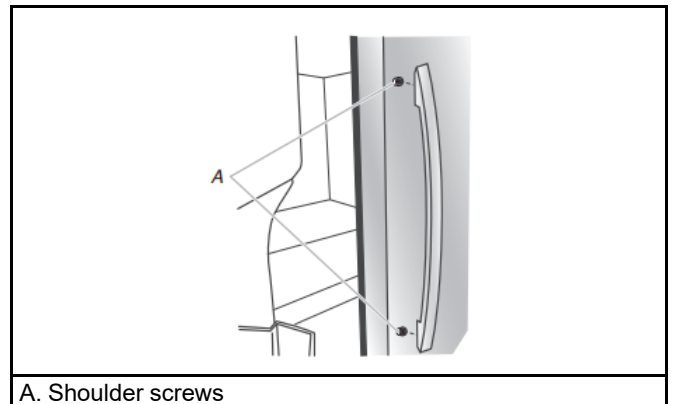
PARTS INCLUDED: Door handles (2).

To Install the Handles:

- Remove the handles, which are packed inside the refrigerator.

NOTE: To avoid scratching the finish, place the handles on a towel or other soft surface.

- Open the freezer door. On the refrigerator door, place the handle on the shoulder screws.



A. Shoulder screws

- Firmly push the handle toward the door until the handle base is flush against the door.
- While holding the handle, push downward until the handle is released from the shoulder screw.
- Open the refrigerator door and close the freezer door. Repeat steps 2 through 4 to install the other handle onto the freezer door.

To Remove the Handles:

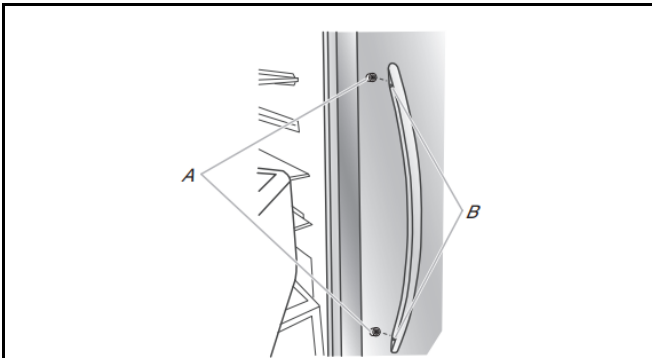
1. While holding the handle, push upward until the handle is released from the shoulder screw.
2. Gently pull the handle away from the door.
3. If necessary, use a Phillips screwdriver to remove the shoulder screws from the door.

Refrigerator Door Handle Style 2

PARTS INCLUDED: Door handles(2), 1/8" hex key, spare setscrew(s)

NOTE: The handle mounting setscrews are pre-installed in the handle.

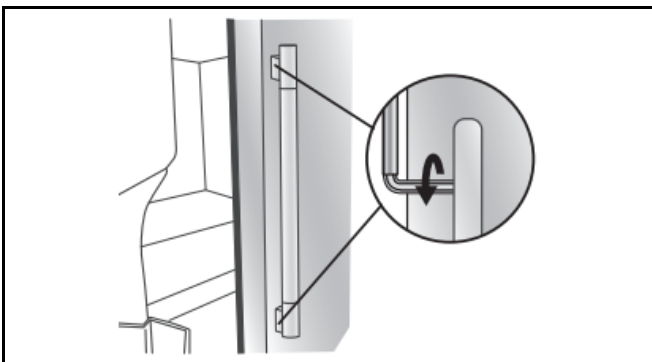
1. Remove the handles, which are packed inside the refrigerator.
NOTE: To avoid scratching the finish, place the handles on a towel or other soft surface.
2. Open the freezer door. On the refrigerator door, place the handle on the shoulder screws with the setscrews facing the freezer.



A. Shoulder screws

B. Setscrews inside the handle

3. Firmly push the handle toward the door until the handle base is flush against the door.
4. While holding the handle, insert the short end of the hex key into the upper hole and slightly rotate the hex key until it is engaged in the setscrew.



5. Using a clockwise motion, tighten the setscrew until it begins to contact the shoulder screw.
6. Repeat steps 4 and 5 to begin fastening the lower setscrew.
7. Once both setscrews have been partially tightened as outlined in the previous steps, fully tighten both the upper and lower setscrews.

IMPORTANT: When the screws feel tight, tighten them an additional quarter-turn. The handle is not properly installed without this extra tightening.

8. Open the refrigerator door and close the freezer door. Repeat steps 2 through 7 to install the other handle onto the freezer door with the setscrews facing the refrigerator.
9. Save the hex key and all instructions.

To Remove the Handles:

1. While holding the handle, insert the short end of the hex key into the upper hole and slightly rotate the hex key until it is engaged in the setscrew.
2. Using a counterclockwise motion, loosen the setscrew a quarter-turn at a time.
3. Repeat steps 1 and 2 for the upper setscrew. Gently pull the handle away from the door.
4. If necessary, use a Phillips screwdriver to remove the shoulder screws from the door.

Remove Doors and Hinges

If your refrigerator does not fit through the doorway or you are getting rid of your old refrigerator, follow the steps below for door removal.

⚠ WARNING

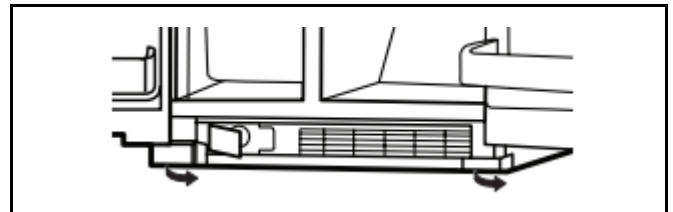


Electrical Shock Hazard

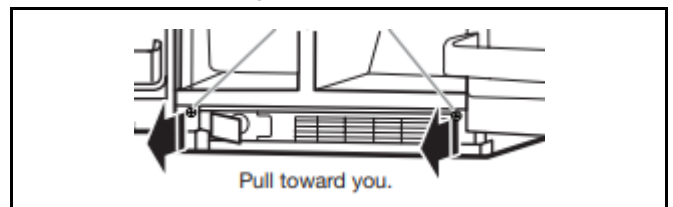
Disconnect power before removing doors.

Failure to do so could result in death or electrical shock.

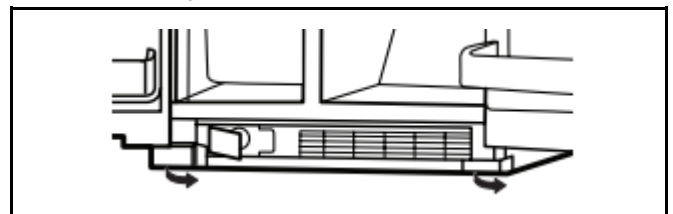
1. Unplug refrigerator or disconnect power.
2. Fully open both doors.
3. If your model has water dispensing, please open the water filter door by pulling it toward you as shown below. It is not necessary to remove the water filter itself.



4. Pull the base grille toward you from the sides and then from the center until it dislodges.

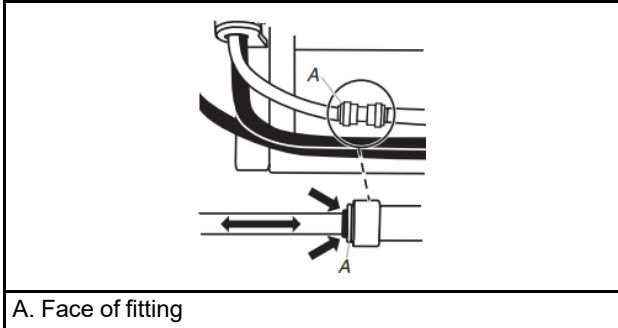


5. To remove the base grille, twist and pull the right side until this side passes underneath the refrigerator door. Then pull the left side of the base grille for complete removal.



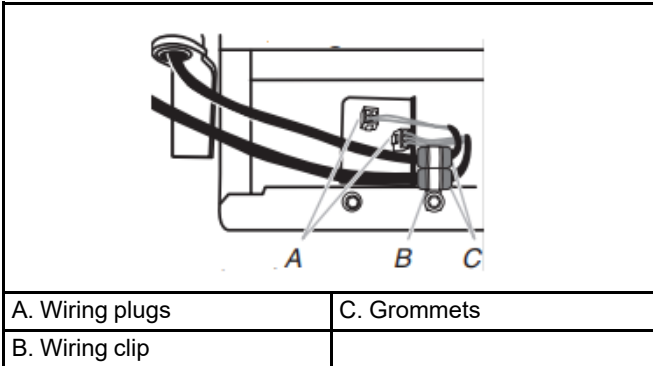
6. If your model has water dispensing in the door, disconnect the water dispenser tubing located below the freezer door.
- Press the blue outer ring against the face of fitting and pull the dispenser tubing free as shown below.

NOTE: Keep the water tubing connector attached to the tube that runs underneath the freezer. The door cannot be removed if the connector is still attached to the tube that runs through the door hinge.



A. Face of fitting

7. If your model has water dispensing in the door, disconnect the wiring located below the freezer door as shown below.
- Remove the wiring clip and the bracket wire using a 1/4" hexagonal-head socket wrench.
 - Disconnect the wiring plugs from the bracket wire.

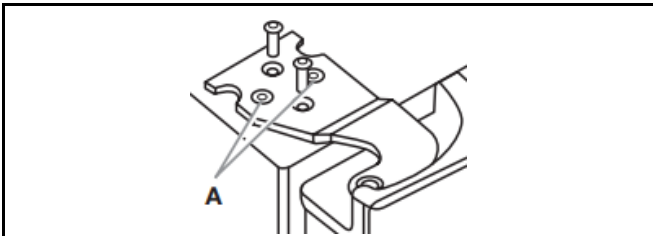


A. Wiring plugs

C. Grommets

B. Wiring clip

8. Close the freezer door and use a TORX T30 screwdriver to remove the top hinge completely as shown below.



A. Do Not Remove Screws

IMPORTANT: Do not remove either screw A. Hold the door while hinge is being removed.

9. Lift the freezer door straight up off from the bottom hinge as shown below. The water dispenser tubing and wiring will remain attached to the freezer door.

⚠ WARNING

Excessive Weight Hazard

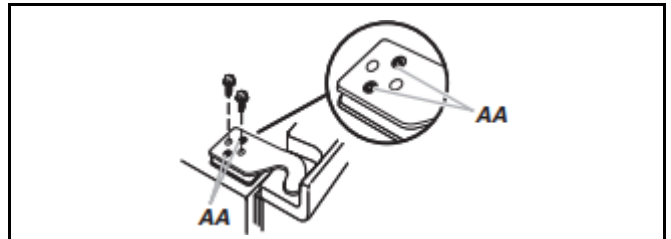
Use two or more people to lift the appliance door.
Failure to do so can result in back or other injury.



NOTE: This may require two people, one to lift the door and the other to feed the water tubing and wiring into the bottom hinge pin.

IMPORTANT: Rest the door on its side on a soft, clean surface, such as a towel, blanket, or piece of cardboard. This will help to avoid scratching or damaging the door, water tubing, and wiring.

10. Close the freezer door and use a TORX T30 screwdriver to remove the top hinge completely as shown below.



A. Do not remove screws.

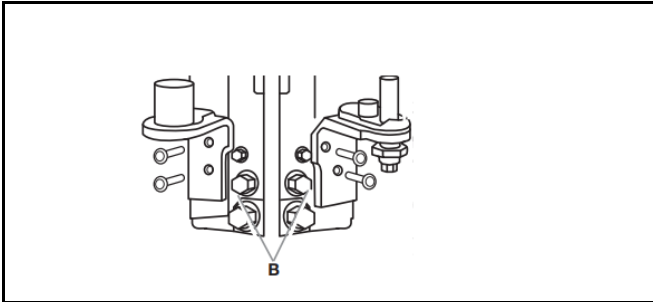
IMPORTANT: Do not remove either screw A. Hold the door while hinge is being removed.

11. Lift the refrigerator door straight up off from the bottom hinge as shown below.



IMPORTANT: Rest the door on its side on a soft, clean surface, such as a towel, blanket, or piece of cardboard. This will help to avoid scratching or damaging the door.

12. If your refrigerator without doors does not pass through the doorway, you may remove both bottom hinges. Use a 5/16" nut driver to remove these as shown below..



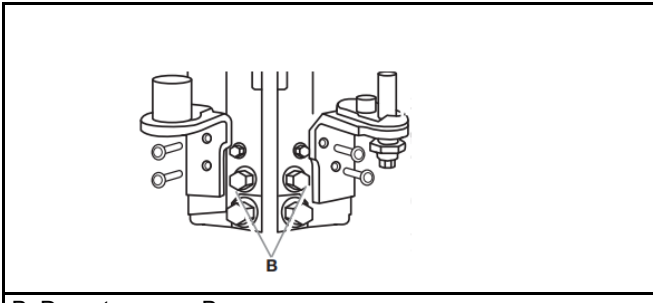
B. Do not remove B screws

IMPORTANT: Do not remove either screw B.

Replace Doors and Hinges

If your doors and bottom hinges have been removed, please follow the next instructions for reinstallation:

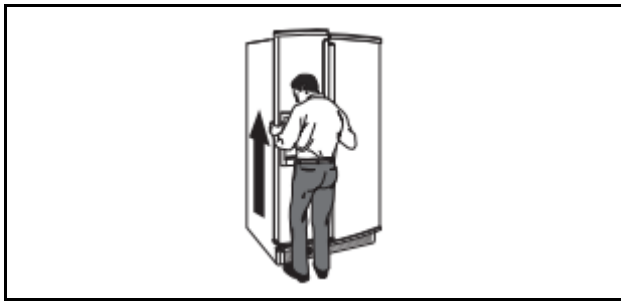
1. Reinstall both bottom hinges using a 5/16" nut driver to tighten screws as shown below.



B. Do not remove B screws

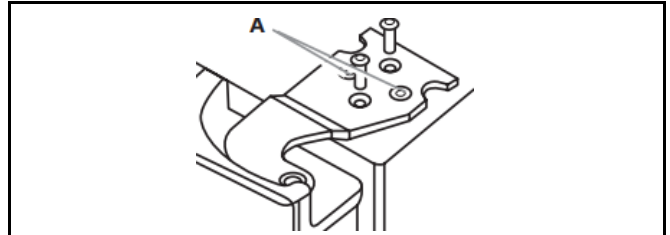
2. If your model has water dispensing in the door:
 - Lift the freezer door enough to feed the water dispenser tubing and wiring through the bottom hinge pin as shown below.

NOTE: This may require two people, one to lift the door and the other to feed the water tubing and wiring into the bottom hinge pin.



IMPORTANT: Hold the door while hinge is being installed.

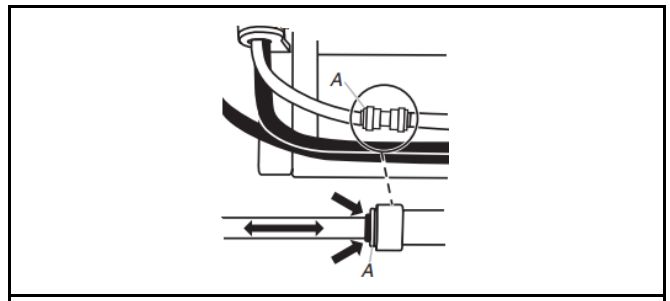
3. Close the freezer door to align and reinstall the top hinge. Use a TORX T30 screwdriver to tighten the screws as shown below.



A. Do not remove A screws

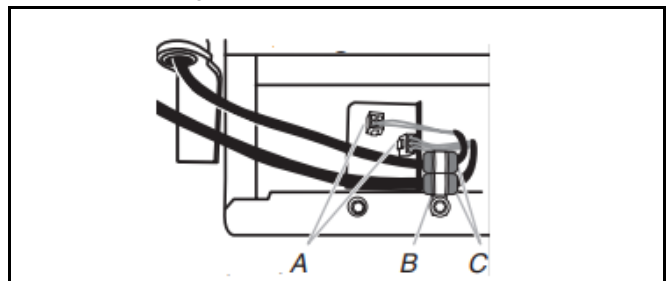
IMPORTANT: Provide additional support for the door while top hinge is being reinstalled. Do not depend on the door magnets to secure the door to the cabinet.

4. If your model has water dispensing in the door, connect the water dispenser tubing. For the connection, push the tubing into the dispenser tubing until black mark touches the face of fitting as shown below.



A. Face of fitting

5. Connect the wiring as shown below.

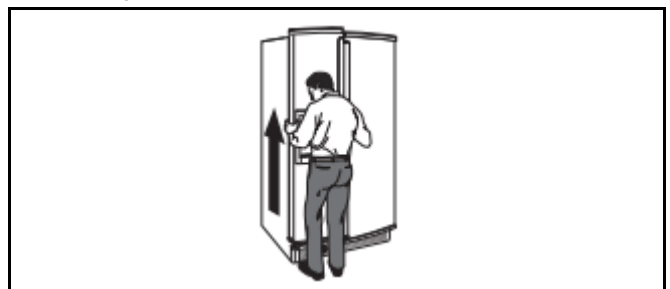


A. Wiring plugs

C. Grommets

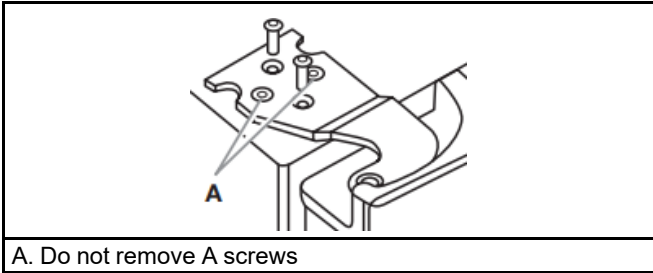
B. Wiring clip

6. Reinstall the wiring clip & the bracket wire using a 1/4" hexagonal head socket wrench.
7. Connect the wiring plugs from the bracket wire.
8. Lift the refrigerator door enough to insert the door onto the bottom hinge pin as shown below.



IMPORTANT: Hold the door while hinge is being installed.

- Close the refrigerator door to align and reinstall the top hinge. Use a TORX T30 screwdriver to tighten the screws as shown below.



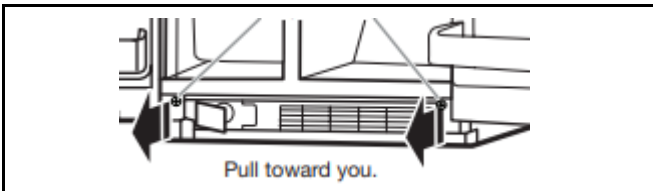
IMPORTANT: Provide additional support for the door while top hinge is being reinstalled. Do not depend on the door magnets to secure the door to the cabinet.

Door Closing and Alignment

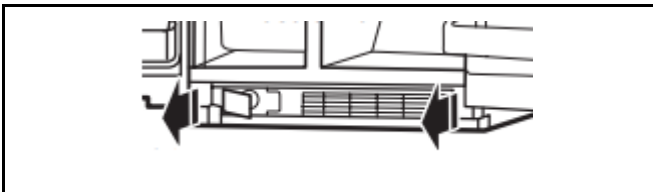
Your refrigerator has two front adjustable wheels.

These are used to level the refrigerator under uneven floor conditions or to allow the doors to close more easily. Please follow the instructions below:

- Use a bubble level to check levelness of floor where the rear side of the refrigerator will rest. If the refrigerator is not leveled, adjust or add the shim on flooring to create a leveled floor for the rear side wheels. A leveled rear side prevents the refrigerator cabinet from forming a twist.
- Place the refrigerator into its final location in the kitchen and open both doors.
- Fully open both doors.
- If your model has water dispensing, please open the water filter door by pulling it toward you as shown below. It is not necessary to remove the water filter itself.
- Pull the base grille toward you from the sides and then from the center until it dislodges.



- To remove the base grille, twist and pull the right side until this side passes underneath the refrigerator door. Then pull the left side of the base grille for complete removal.

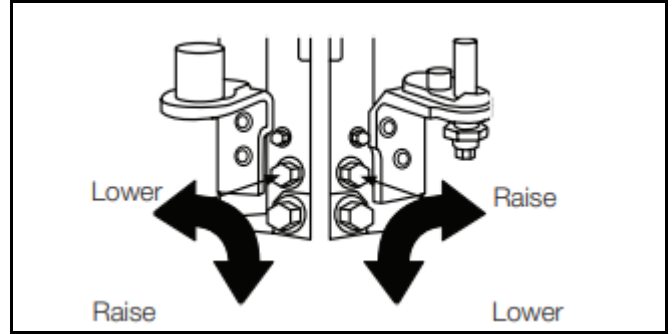


A. Pull to the right for extraction

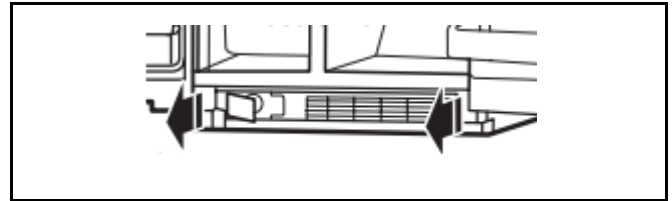
B. Twist and pass underneath door

- Raise the wheels while one person pushes on the refrigerator to lift from front side. Use the bubble level on top of the refrigerator or on its side to level the refrigerator. Check bubble level and at the same time observe the gaps and squareness to the adjacent cabinets, furniture, or trim. If adjacent furnishings are not level, it may not be possible to achieve even gaps when refrigerator is level. Continue adjusting until all four corners are steady without rock.

- Use a 3/8" nut driver to turn the leveling screws located in both sides of the refrigerator as shown below. Depending on uneven floor conditions, you must turn one or both screws to the right or left several times to raise or lower the refrigerator.



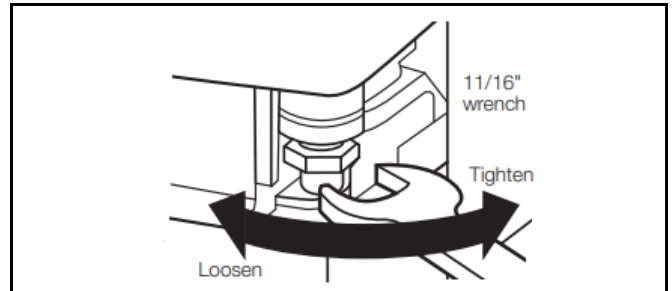
- Close both doors and check that they close as easily as you like. If not, turn both screws to the right to raise the refrigerator by tilting it more to the back until the doors close as easily as you like.
- Check and make sure that the technician sheet is placed in the base grille cavity before assembling the base grille into the cabinet.
- Reinstall the base grille into the cabinet, introducing the left side first and then the right side of the base grille as shown below. You may accommodate the water dispenser tubing and wiring into base grille cavity below the left bottom hinge.
- Attach the base grille by pushing it into the cabinet clips.



Door Alignment

The refrigerator doors are designed to be slightly misaligned vertically when the refrigerator is empty. If the doors are uneven after food has been placed, please follow the next instructions:

- Use an 11/16" open-ended wrench to loosen the locking nut located below the refrigerator door as shown below. Accommodate the wrench so that it fits in the space.



- Use a 5/16" open-ended wrench tool to turn the alignment screw as shown below. Depending on how the refrigerator door is misaligned in relation to the freezer door, you must turn the screw to the right to raise or to the left to lower the refrigerator door until both doors have been aligned vertically.
- Tighten the 11/16" locking nut with the wrench.
- Attach the base grille if it was dislodged.

DOOR REMOVAL AND LEVELING STYLE 2

Door Instructions

Gather the required tools and parts and read all instructions before starting installation. Save these instructions for future reference.

⚠ WARNING



Electrical Shock Hazard

Disconnect power before removing doors.

Failure to do so could result in death or electrical shock.

NOTE: Before moving your refrigerator into your home, measure the doorway of your home to see whether you need to remove the refrigerator and freezer doors. If door removal is necessary, see the instructions below.

IMPORTANT: Before you begin, turn the refrigerator control off or turn cooling off. Unplug refrigerator or disconnect power. Remove food, the ice storage bin (on some models), and any adjustable door or utility bins from doors.

TOOLS NEEDED Depending on your model, you may need the following: Bubble level, flat-blade screwdriver, Phillips screwdriver tip #2 with 4" long as minimum, 3/16" hex key, 1/4", 3/8", and 5/16" hex-head socket wrench, 1/4" and 5/16" open-ended wrenches or adjustable wrench, internal star drive or 3/8" hex-head socket wrench, TORX T30 screwdriver.

Install and Remove Door Handles

PARTS INCLUDED: Door handles (2), 1/8" and 3/32" hex key as needed, spare setscrew(s).

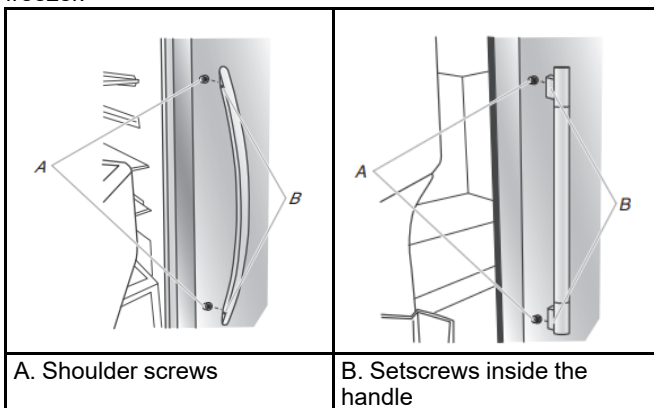
To Install the Handles:

NOTE: The handle mounting setscrews are pre-installed in the handle.

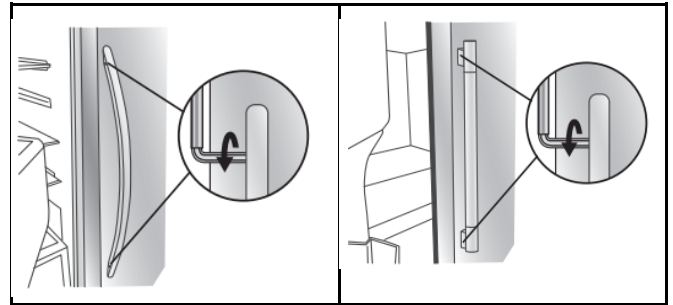
1. Remove the handles, which are packed inside the refrigerator.

NOTE: To avoid scratching the finish, place the handles on a towel or other soft surface.

2. Open the freezer door. On the refrigerator door, place the handle on the shoulder screws with the setscrews facing the freezer.



3. Firmly push the handle toward the door until the handle base is flush against the door.
4. While holding the handle, insert the short end of the hex key into the upper hole and slightly rotate the hex key until it is engaged in the setscrew.



5. Using a clockwise motion, tighten the setscrew until it begins to contact the shoulder screw.
6. Repeat steps 4 and 5 to begin fastening the lower setscrew.
7. Once both setscrews have been partially tightened as outlined in the previous steps, fully tighten both the upper and lower setscrews.

IMPORTANT: When the screws feel tight, tighten them an additional quarter-turn. The handle is not properly installed without this extra tightening.

8. Open the refrigerator door and close the freezer door. Repeat steps 2 through 7 to install the other handle onto the freezer door with the setscrews facing the refrigerator.
9. Save the hex key and all instructions.


To Remove the Handles:

Style 1

1. While holding the handle, insert the short end of the hex key into the upper hole and slightly rotate the hex key until it is engaged in the setscrew.
2. Using a counterclockwise motion, loosen the setscrew a quarter-turn at a time.
3. Repeat steps 1 and 2 for the upper setscrew. Gently pull the handle away from the door.
4. If necessary, use a Phillips screwdriver to remove the shoulder screws from the door.

Remove Doors and Hinges

⚠ WARNING



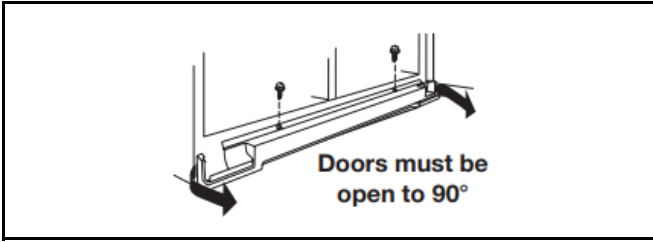
Electrical Shock Hazard

Disconnect power before removing doors.

Failure to do so could result in death or electrical shock.

1. Unplug refrigerator or disconnect power.

- Open both doors to 90°. Remove the base grille by removing the two screws, then pulling out on the outside corners as shown below.

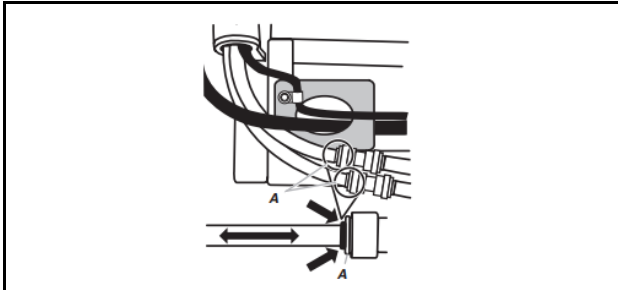


NOTE: The doors must only be opened to 90°. If they are opened all the way, the base grille will not come off.

- Disconnect the water tubing, located behind the base grille on the freezer door side. The dispenser tubing runs through the door hinge and must be disconnected in order to remove the door.

NOTE: On models with the ice storage bin on the door, there are two water tubing connections, as shown. On models with the ice storage bin inside the freezer, there is only one water tubing connection.

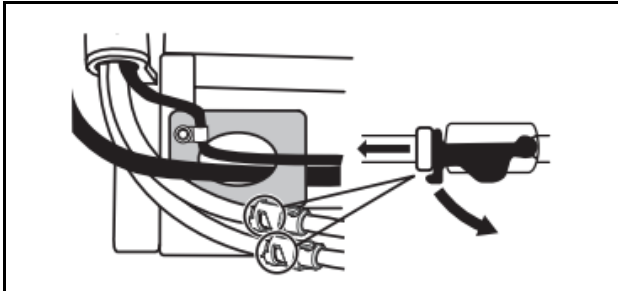
- Water Tubing Connection Style 1:** Press the colored outer ring against the face of the fitting and gently pull the dispenser tubing free as shown below.



A. Face of Fitting

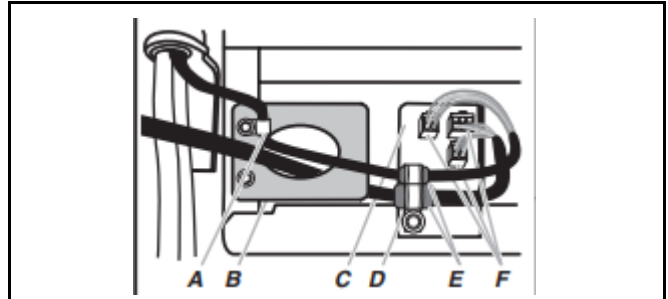
NOTE: Keep the water tubing connector attached to the tube that runs underneath the freezer. The door cannot be removed if the connector is still attached to the tube that runs through the door hinge.

- Water Tubing Connection Style 2:** Firmly pull on the clasp to release the tube, then pull the water tubing free as shown below.



NOTE: Keep the clasp attached to the tube that runs underneath the freezer.

- Disconnect the wiring, located behind the base grille on the freezer door side as shown below.



A. P-Clamp	D. Wiring Clip
B. Routing Plate	E. Grommets
C. Electrical Housing	F. Wiring Plugs

On models with the ice storage bin on the door:

NOTE: There are two wiring bundles that run underneath the freezer - a large bundle with a large grommet and two white plugs at the end, and a small bundle with a small grommet and one yellow plug at the end.

- Remove the P-clamp using a 1/4" hex-head socket wrench. Remove the small wiring bundle from the P-clamp.
- Remove the wiring clip using a 1/4" hex-head socket wrench.
- Pull the electrical housing out from under the refrigerator. Disconnect the wiring plugs from the housing.
- Gently pull the large wiring bundle (with two white plugs) through the routing plate.

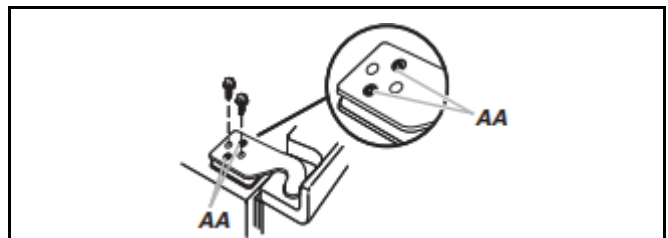
On models with the ice storage bin inside the freezer:

NOTE: The wiring configuration is simpler than what is shown in the above graphic. There is only one wiring bundle with one wiring plug, and there is not a routing plate.

- Remove the wiring clip using a 1/4" hex-head socket wrench.
- Pull the electrical housing out from under the refrigerator. Disconnect the wiring plugs from the housing.

- Close both doors and keep them closed until you are ready to lift them free from the cabinet.
- Depending on your model, use a 3/16" hex key or a TORX T30 screwdriver to remove the top-left hinge screws as shown below.

IMPORTANT: Do not remove either screw A. Hold the door while hinge is being removed.



A. Do not remove these screws.

⚠ WARNING

Excessive Weight Hazard

Use two or more people to lift the appliance door.
Failure to do so can result in back or other injury.

- Lift freezer door straight up off bottom hinge as shown below. The water tubing and wiring remain attached to the freezer door and pull through the bottom-left hinge.

NOTE: This may require two people, one to lift the door and another to feed the water tubing and wiring into the bottom hinge pin.



On models with the ice storage bin on the door:

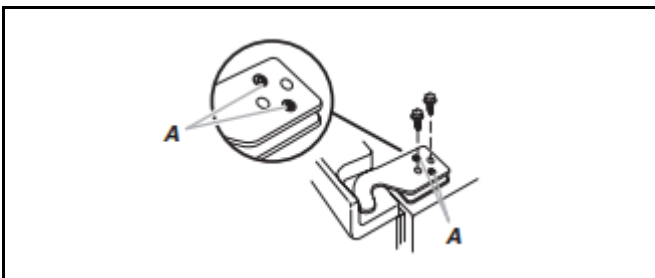
- Be sure the hole in the hinge is clear of obstructions; then gently pull one water tube through the hinge. (Avoid kinking the tube.) Next, gently pull the other water tube through the hinge, again avoiding kinks. Finally, gently pull the wiring bundle (including the grommet and wiring plugs) through the hinge.

On models with the ice storage bin inside the freezer:

- Be sure the hole in the hinge is clear of obstructions; then gently pull the water tube through the hinge. (Avoid kinking the tube.) Next, gently pull the wiring bundle (including the grommet and wiring plug) through the hinge.

IMPORTANT: Rest the door on its side on a soft, clean surface, such as a towel, blanket, or piece of cardboard. This will help to avoid scratching or damaging the door, water tubing, and wiring.

- Use a 3/16" hex key to remove the top-right hinge screws as shown below.



A. Do Not Remove Screws

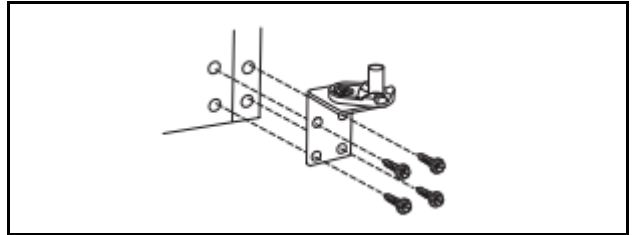
IMPORTANT: Do not remove either screw A.

- Lift the refrigerator door straight up off bottom hinge.

IMPORTANT: Rest the door on its side on a soft, clean surface, such as a towel, blanket, or piece of cardboard. This will help to avoid scratching or damaging the door.

- It may not be necessary to remove the bottom hinges to move the refrigerator through a doorway. Both bottom hinges have similar construction.

- If necessary, use an internal star drive or a 3/8" hex-head socket wrench to remove the bottom hinges as shown below.

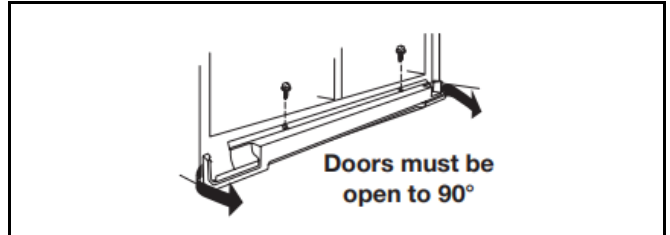


IMPORTANT: The leveler brackets are mounted behind the hinges. If you remove the hinges, make sure that the leveler brackets are replaced when reinstalling the hinges.

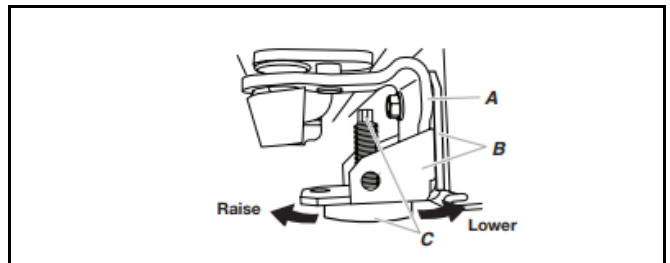
Door Closing, Leveling, and Alignment

Your refrigerator has two adjustable front feet—one on the right and one on the left. In most cases, the refrigerator should be steady when both feet are touching the floor. If your refrigerator seems unsteady or if you want the doors to close more easily, adjust the refrigerator's tilt using the instructions below:

- Use a bubble level to check levelness of floor where the rear side of the refrigerator will rest. If the refrigerator is not leveled, adjust or add the shim on flooring to create a leveled floor for the rear side wheels. A leveled rear side prevents the refrigerator cabinet from forming a twist.
- Move the refrigerator into its final location. If necessary, open both doors to 90° and remove the base grille as shown below.



- The two leveling feet are located on the brackets on each side of the product as shown below.



A. Bottom Hinge

C. Leveling Foot

B. Leveler Bracket

NOTE: Having someone push against the top of the refrigerator takes some weight off the leveling screws. This makes it easier to make adjustments.

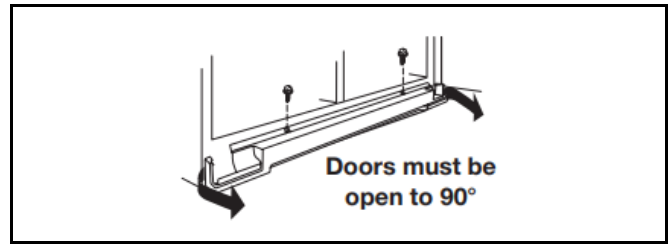
- Use a 1/4" open-ended or adjustable wrench to adjust the leveling feet. Turn the leveling foot to the left to raise that side of the product, or turn it to the right to lower that side of the product. Raise the wheels while one person pushes on the refrigerator to lift from front side. Use the bubble level on top of the refrigerator or on its side to level the refrigerator. Check bubble level and at the same time observe the gaps and squareness to the adjacent cabinets, furniture or trim. If adjacent furnishings are not level, it may not be possible to achieve even gaps when refrigerator is level.

NOTE: Both leveling feet should be snug against the floor, and the rollers should not touch the floor. This keeps the refrigerator from rolling forward when opening the doors. Continue adjusting until all four corners are steady without rock.

- Open both doors again and check that they close as easily as you like. If not, tilt the refrigerator slightly more to the rear by turning the leveling feet to the left. It may take several more turns, and you should turn both leveling feet the same amount.

NOTE: Whenever you need to move the refrigerator, turn the leveling feet to the right until they are no longer touching the ground. This will allow the refrigerator to roll more easily.

- Open both doors to 90°. Replace the base grille.

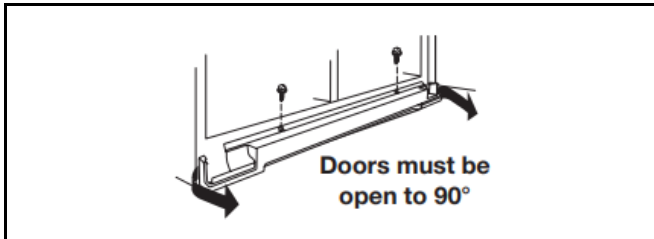


Door Alignment

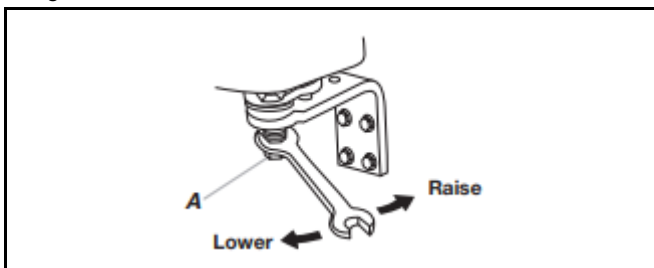
A refrigerator that is not level from side to side may appear to have doors that are not properly aligned. If the doors appear this way, use the instructions in the previous section to check the leveling.

The doors are designed to be slightly different heights when the refrigerator is empty, in order to account for the weight of food that will be placed on the doors. If the doors are still not aligned after checking the leveling and loading the refrigerator with food, follow the steps below to adjust the door alignment.

- If necessary, open both doors to 90° and remove the base grille.



- Locate the alignment screw on the bottom hinge of the refrigerator door.



- Use a 5/16" open-ended or adjustable wrench to turn the screw. To raise the refrigerator door, turn the screw to the right. To lower the door, turn the screw to the left.
- Check that the doors are even at the top. If necessary, continue to turn the alignment screw until the doors are aligned.

PERFORMANCE DATA SHEET

Water Filtration System

Model P9WB2L/P9RFWB2L/EDR2RXD1 Capacity 200 Gallons (757 Liters)



System tested and certified by NSF International against NSF/ANSI Standard 42, 53, 401 and CSA B483.1 for the reduction of contaminants specified on the Performance Data Sheet.

This system has been tested according to NSF/ANSI Standards 42, 53, 401 and CSA B483.1 for the reduction of the substances listed below. The concentration of the indicated substances in water entering the system was reduced to a concentration less than or equal to the permissible limit for water leaving the system, as specified in NSF/ANSI Standards 42, 53, 401 and CSA B483.1.

Substance Reduction Aesthetic Effects	Influent Challenge Concentration	Maximum Permissible Product Water Concentration	Average % Reduction
Chlorine Taste/Odor Particulate Class I*	2.0 mg/L ± 10% At least 10,000 particles/mL	50% reduction 85% reduction	97.2% 99.5%

Contaminant Reduction	Influent Challenge Concentration	Maximum Permissible Product Water Concentration	Average % Reduction
Lead***: @ pH 6.5 / @ pH 8.5	0.15 mg/L ± 10%	0.010 mg/L	>99.3% / 98.6%
Benzene	0.015 mg/L ± 10%	0.005 mg/L	96.0%
P-Dichlorobenzene	1.8 mg/L ± 10%	0.60 mg/L	>99.9%
Ethylbenzene	2.1 mg/L ± 10%	0.70 mg/L	99.4%
1,2,4-Trichlorobenzene	0.210 mg/L ± 10%	0.07 mg/L	>99.8%
2,4 - D	0.210 mg/L ± 10%	0.07 mg/L	93.8%
Styrene	2.0 mg/L ± 10%	0.07 mg/L	99.8%
Toluene	3.0 mg/L ± 10%	1.0 mg/L	87.9%
Endrin	0.006 mg/L ± 10%	0.002 mg/L	>96.6%
Atenolol	200 ± 20%	30 ng/L	>95.9%
Trimethoprim	140 ± 20%	20 ng/L	>96.9%
Linuron	140 ± 20%	20 ng/L	>96.4%
Estrone	140 ± 20%	20 ng/L	>97.0%
Nonylphenol	1400 ± 20%	200 ng/L	>97.4%
Carbamazepine	1400 ± 20%	200 ng/L	97.9%
Phenytoin	200 ± 20%	30 ng/L	93.8%
Naproxen	140 ± 20%	20 ng/L	96.1%
Bisphenol A	2000 ± 20%	300 ng/L	>99.2%

Test Parameters: pH = 7.5 ± 0.5 unless otherwise noted. Flow = 0.6 gpm (2.27 Lpm). Pressure = 60 psig (413.7 kPa). Temp. = 68°F to 71.6°F (20°C to 22°C). Rated service capacity = 200 gallons (757 liters).

The compounds certified under NSF 401 have been deemed as “emerging compounds/incidental contaminants.” Emerging compounds/incidental contaminants are those compounds that have been detected in drinking water supplies at trace levels. While occurring at only trace levels, these compounds can affect the public acceptance/ perception of drinking water quality.

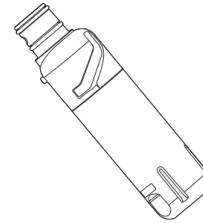
- It is essential that operational, maintenance, and filter replacement requirements be carried out for the product to perform as advertised. Property damage can occur if all instructions are not followed.
- The disposable cartridge must be changed at least every 6 months.
- Use replacement filter P9RFWB2L, part #EDR2RXD1/EDR2RXD1B. 2015 suggested retail price of \$49.99 U.S.A./\$49.99 Canada. Prices are subject to change without notice
- The filter monitor system measures the amount of water that passes through the filter and alerts you when it is time to replace the filter.
Refer to the “Using the Controls” or “Water Filtration System” section to learn how to check the water filter status.
- After changing the water filter, flush the water system. See “Water and Ice Dispensers” or “Water Dispenser”.
- These contaminants are not necessarily in your water supply. While testing was performed under standard laboratory conditions, actual performance may vary.
- The product is for cold water use only.
- The water system must be installed in compliance with state and local laws and regulations.

- Do not use with water that is microbiologically unsafe or of unknown quality without adequate disinfection before or after the system. Systems certified for cyst reduction may be used on disinfected waters that may contain filterable cysts. EPA Est. No. 082047-TWN-001.
- Refer to the “Warranty” for the Manufacturer’s limited warranty, name and telephone number.

Application Guidelines/Water Supply Parameters

Water Supply	Potable City or Well
Water Pressure	30 psi - 120 psi (207 kPa - 827 kPa)
Water Temperature	33°F - 100°F (0.6°C - 37.8°C)
Service Flow Rate	0.6 GPM (2.27 L/min.) @ 60 psi. (413.7 kPa)

- Your water filtration system will withstand up to 120 pounds per square inch (psi) water pressure. If your water supply is higher than 80 psi, install a pressure reducing valve before installing the water filtration system.



*Class I particle size: >0.5 to 1 um

†Based on the use of Cryptosporidium parvum oocysts

††Fibers greater than 10 um in length

®NSF is a registered trademark of NSF International.

SÉCURITÉ DU RÉFRIGÉRATEUR

Votre sécurité et celle des autres est très importante.

Nous donnons de nombreux messages de sécurité importants dans ce manuel et sur votre appareil ménager. Assurez-vous de toujours lire tous les messages de sécurité et de vous y conformer.



Voici le symbole d'alerte de sécurité.

Ce symbole d'alerte de sécurité vous signale les dangers potentiels de décès et de blessures graves à vous et à d'autres.

Tous les messages de sécurité suivront le symbole d'alerte de sécurité et le mot "DANGER" ou "AVERTISSEMENT". Ces mots signifient :

▲ DANGER

Risque possible de décès ou de blessure grave si vous ne suivez pas immédiatement les instructions.

▲ AVERTISSEMENT

Risque possible de décès ou de blessure grave si vous ne suivez pas les instructions.

Tous les messages de sécurité vous diront quel est le danger potentiel et vous disent comment réduire le risque de blessure et ce qui peut se produire en cas de non-respect des instructions.

INSTRUCTIONS IMPORTANTES DE SÉCURITÉ

AVERTISSEMENT : Afin de réduire le risque d'incendie, de décharge électrique ou de blessures corporelles lors de l'utilisation de cet appareil, observer certaines précautions fondamentales, notamment :

- Les enfants doivent être surveillés afin de s'assurer qu'ils ne jouent pas avec l'appareil.
- Cet appareil ne convient pas à une utilisation par des personnes (y compris des enfants) à capacités physiques, sensorielles ou mentales réduites, ou possédant un manque d'expérience et de connaissances, à moins qu'elles ne soient placées sous supervision ou qu'elles aient reçu des instructions concernant l'utilisation de l'appareil par une personne responsable de leur sécurité.
- Ne pas utiliser de rallonge.
- Si le cordon d'alimentation est endommagé, il doit être remplacé par le fabricant, son agent de réparation ou toute autre personne qualifiée afin d'éviter tout danger.
- Brancher sur une alimentation en eau potable uniquement.
- Cet appareil est destiné à un usage domestique et à d'autres usages similaires comme : coins cuisine réservés au personnel des boutiques, des bureaux et d'autres environnements professionnels; maisons d'hôtes, ainsi que par les clients d'hôtel, de motels et d'autres installations d'hébergement; gîtes touristiques; et banquets et autres utilisations non commerciales semblables.
- Ne pas entreposer de substances explosives comme des aérosols avec agent propulseur inflammable dans cet appareil.
- Ne pas utiliser de pièces de remplacement qui n'ont pas été recommandées par le fabricant (c.-à-d., pièces fabriquées à la maison à l'aide d'une imprimante 3D).
- Garder les événements à l'intérieur de l'enceinte de l'appareil ou de la structure encastrée exempte d'obstacles.
- Ne pas utiliser des appareils mécaniques ou autres moyens pour accélérer le processus de dégivrage, autre que ceux recommandés par le fabricant.
- Ne pas endommager le circuit réfrigérant.
- Ne pas utiliser des appareils électriques à l'intérieur des compartiments d'aliments de l'appareil, à moins qu'ils soient de type recommandé par le fabricant.

CONSERVER CES INSTRUCTIONS

Mise au rebut du vieux réfrigérateur

AVERTISSEMENT : Un enfant peut rester piégé. Avant de jeter votre vieux réfrigérateur ou congélateur :

- Enlever les portes.
- Laisser les tablettes en place de sorte que les enfants ne puissent pas y pénétrer facilement.

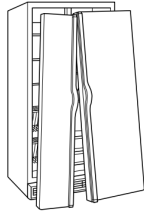
⚠ AVERTISSEMENT

Risque de suffoquer

Enlever les portes ou le couvercle de votre vieil appareil.

Le non-respect de cette instruction peut causer un décès ou des lésions cérébrales.

IMPORTANT: Le risque qu'un enfant puisse se retrouver coincé et suffoquer n'est pas chose du passé. Les réfrigérateurs jetés ou abandonnés restent dangereux, même s'ils ne restent à l'extérieur que pour « quelques jours ». Si l'ancien réfrigérateur doit être mis au rebut, suivre les instructions suivantes afin d'éviter les accidents.



Informations importantes à connaître pour l'élimination du liquide réfrigérant :

Jeter le réfrigérateur conformément aux règlements fédéraux et locaux. Les liquides réfrigérants doivent être évacués par un technicien en réfrigération accrédité EPA, conformément aux procédures établies.

ENTRETIEN ET RÉPARATION

Nettoyage

⚠ AVERTISSEMENT



Risque d'explosion

Risque d'incendie ou d'explosion.

Fluide frigorigène inflammable utilisé.

Ne pas utiliser d'appareils mécaniques pour dégivrer le réfrigérateur.

Ne pas perforer la tubulure de réfrigération.

Les sections de réfrigération et de congélation se dégivrent automatiquement. Toutefois, nettoyer les deux compartiments environ une fois par mois afin d'éviter une accumulation d'odeurs. Essuyer les renversements immédiatement.

IMPORTANT: Comme l'air circule entre les deux sections, toutes les odeurs formées dans une section seront transférées à l'autre. Les deux sections doivent être nettoyées avec soin pour éliminer les odeurs. Pour éviter le transfert d'odeurs et l'assèchement des aliments, envelopper ou recouvrir hermétiquement les aliments.

REMARQUE: Ne pas utiliser de nettoyants puissants ou abrasifs tels que les nettoyants à vitre en atomiseurs, nettoyants à récurer, liquides inflammables, cires nettoyantes, détergents concentrés, agents de blanchiment ou nettoyants contenant du pétrole sur les pièces en plastique, les garnitures intérieures et garnitures de portes ou sur les joints de portes. Ne pas utiliser d'essuie-tout, de tampons à récurer ou un autre outil de nettoyage abrasif. Les modèles en acier inoxydable sont munis d'une pellicule. Ne pas utiliser de nettoyants réguliers pour acier inoxydable. Ne pas utiliser de nettoyant ou de poli pour acier inoxydable, seulement de l'eau tiède et savonneuse et un chiffon doux en microfibre pour éviter d'endommager la pellicule de protection de l'acier inoxydable. Les essuie-tout peuvent érafler et ternir le revêtement transparent de la porte peinte. Afin d'éviter tout dommage éventuel, n'utiliser que des chiffons propres pour polir et essuyer la porte.

1. Débrancher le réfrigérateur ou déconnecter la source de courant électrique.
2. Laver à la main, rincer et sécher les pièces amovibles et les surfaces internes soigneusement. Utiliser une éponge propre ou un linge doux et un détergent doux dans de l'eau tiède.
3. Laver les surfaces extérieures en acier inoxydable et surfaces extérieures peintes avec une éponge propre ou un linge doux et un détergent doux dans de l'eau tiède.

⚠ AVERTISSEMENT



Risque d'explosion

Risque d'incendie ou d'explosion causé par la perforation de la tubulure de réfrigération;

suivre avec attention les instructions de manipulation.

Fluide frigorigène inflammable utilisé.

4. Le condensateur n'a pas besoin d'être nettoyé souvent dans des conditions de fonctionnement domestique normales. Si l'environnement est particulièrement gras, poussiéreux ou s'il y a des animaux domestiques dans la maison, le condensateur devrait être nettoyé tous les 2 ou 3 mois pour assurer une efficacité maximum.
Si on doit nettoyer le condensateur :
 - Retirer la grille de la base. Voir la section « Enlever la porte », soit dans le manuel d'utilisation, soit sur la feuille d'instructions fournie séparément avec le réfrigérateur.
 - Utiliser un aspirateur à brosse douce pour nettoyer la grille, les endroits ouverts derrière la grille et la surface à l'avant du condensateur.
 - Replacer la grille de la base après avoir terminé.
5. Brancher le réfrigérateur ou reconnecter la source de courant électrique.

Lampes

Toutes les ampoules ne conviennent pas à votre réfrigérateur. S'assurer de remplacer l'ampoule par une ampoule de taille, de forme et de puissance semblables.

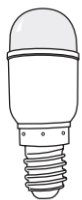
IMPORTANT: Les ampoules des compartiments de réfrigération et de congélation de votre nouveau réfrigérateur utilisent la technologie DEL. Sur certains modèles, les ampoules à DEL du réfrigérateur, du congélateur, de la tour de circulation et du distributeur ne peuvent pas être remplacées par le propriétaire. Si les lampes ne s'allument pas lorsqu'on ouvre la porte du réfrigérateur ou du congélateur, composer les numéros fournis pour assistance ou dépannage. Aux États-Unis, composer le **1 800 253-1301**. Au Canada, composez le **1 800 807-6777**.

Styles des lampes :

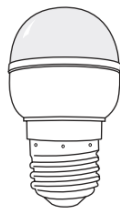
Les lampes du distributeur sont des DEL qui ne peuvent pas être remplacées.

Les lampes de l'intérieur varient selon le modèle.

- Certains modèles sont dotés de mini DEL qui ne peuvent pas être remplacées.
- Certains modèles sont dotés d'ampoules DEL de dimensions complètes qui peuvent être remplacées. Pour commander des ampoules à DEL de remplacement de 2,0 W, utiliser le numéro de pièce W10574850A, et pour les ampoules de 3,6 W, utiliser le numéro de pièce W10565137A, ou composer le **1 800 253-1301** (É.-U.) ou **1 800 807-6777** (Canada).



2,0 W



3,6 W

REMARQUE: Certaines ampoules DEL de rechange ne sont pas recommandées pour des environnements humides/mouillés. Les compartiments de réfrigération et de congélation sont considérés comme des environnements humides/mouillés. Si on utilise une marque d'ampoules DEL différente de celle recommandée (ampoules de marque Whirlpool), lire et suivre toutes les instructions de l'emballage des ampoules DEL de rechange avant de procéder à l'installation.

- Certains modèles sont dotés d'ampoules incandescentes intérieures de 40 W qui peuvent être remplacées.

REMARQUE: Toutes les ampoules de rechange ne conviennent pas à votre réfrigérateur. Ne pas utiliser d'ampoule à incandescence de plus de 40 W.



Changement de l'ampoule :

1. Débrancher le réfrigérateur ou déconnecter la source de courant électrique.
2. Retirer le protège-ampoule, comme décrit dans les sections suivantes.

REMARQUE: Pour nettoyer le protège-ampoule, le laver à l'eau tiède et savonneuse. Avant de réinstaller le protège-ampoule, le rincer et le sécher soigneusement.

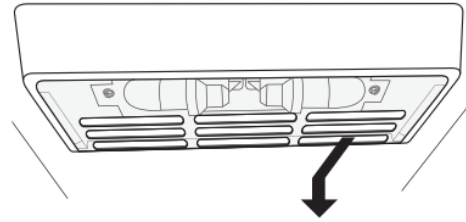
3. Remplacer l'ampoule grillée comme décrit dans les sections suivantes.
4. Réinstaller le protège-ampoule, comme décrit dans les sections suivantes.

5. Brancher le réfrigérateur ou reconnecter la source de courant électrique.

Lampes supérieures – compartiment de réfrigération

Retrait du protège-ampoule :

Faire glisser le protège-ampoule vers l'arrière du réfrigérateur pour le libérer du logement de la lampe.

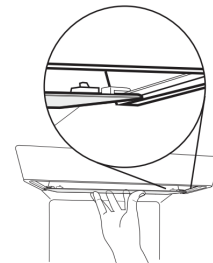


Ampoule de rechange :

- Si l'ampoule grillée est une ampoule DEL de dimensions complètes, remplacer en commandant une ampoule DEL de 2,0 W.
- Si l'ampoule grillée est une ampoule à incandescence, remplacer par une ampoule à incandescence standard de grosseur, de forme et de puissance semblables (40 W maximum).

Réinstallation du protège-ampoule :

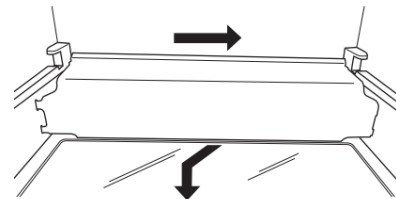
Aligner le protège-ampoule sur les rainures de la partie inférieure du logement de la lampe, et le faire glisser en avant jusqu'à ce qu'il s'emboîte.



Lampes inférieures – compartiment de réfrigération

Retrait du protège-ampoule :

Faire glisser le protège-ampoule sur la droite pour libérer l'extrémité gauche des rainures murales, et dégager ensuite l'extrémité droite de ses rainures murales.

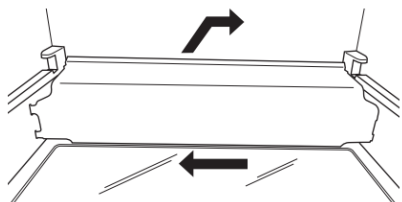


Ampoule de rechange :

- Si l'ampoule grillée est une ampoule DEL de dimensions complètes, remplacer en commandant une ampoule DEL de 3,6 W.
- Si l'ampoule grillée est une ampoule à incandescence, remplacer par une ampoule à incandescence standard de grosseur, de forme et de puissance semblables (40 W maximum).

Réinstallation du protège-ampoule :

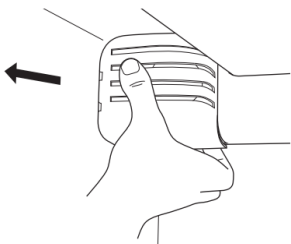
Insérer l'extrémité droite du protège-ampoule dans les rainures murales, et emboîter ensuite l'extrémité gauche dans ses rainures murales.



Lampes supérieures – compartiment de congélation

Retrait du protège-ampoule :

Presser doucement l'avant et l'extrémité inférieure arrière du protège-ampoule pour libérer les languettes des rainures murales, et tirer le protège-ampoule vers l'avant.

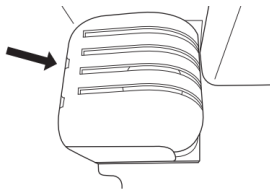


Ampoule de rechange :

- Si l'ampoule grillée est une ampoule DEL de dimensions complètes, remplacer en commandant une ampoule DEL de 3,6 W.
- Si l'ampoule grillée est une ampoule à incandescence, remplacer par une ampoule à incandescence standard de grosseur, de forme et de puissance semblables (40 W maximum).

Réinstallation du protège-ampoule :

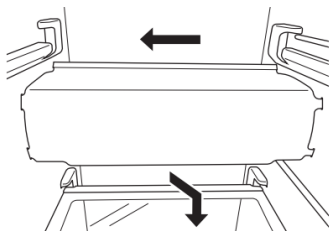
Aligner le protège-ampoule dans sa position correcte, et emboîter les languettes dans les rainures murales.



Lampes inférieures – compartiment de congélation

Retrait du protège-ampoule :

Faire glisser le protège-ampoule sur la gauche pour libérer l'extrémité droite des rainures murales, et dégager ensuite l'extrémité gauche de ses rainures murales.

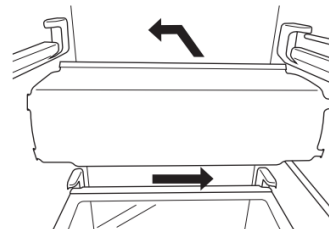


Ampoule de rechange :

- Si l'ampoule grillée est une ampoule DEL de dimensions complètes, remplacer en commandant une ampoule DEL de 3,6 W.
- Si l'ampoule grillée est une ampoule à incandescence, remplacer par une ampoule à incandescence standard de grosseur, de forme et de puissance semblables (40 W maximum).

Réinstallation du protège-ampoule :

Insérer l'extrémité gauche du protège-ampoule dans les rainures murales, et emboîter ensuite l'extrémité droite dans ses rainures murales.



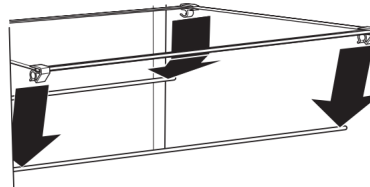
Tablettes du congélateur (le nombre varie selon le modèle)

Pour enlever et réinstaller la tablette du bas :

1. Soulever l'avant et l'arrière de la tablette, puis la retirer de la caisse. S'assurer de ne pas enlever les tiges de retenue.
2. Réinstaller la tablette en alignant les tiges sur les nervures de la caisse. Appliquer une légère pression sur la tablette pour fixer les tiges sur les nervures de la caisse.

Pour enlever et réinstaller les tablettes intermédiaire et supérieure :

1. Pousser à la main la tablette du bas vers le haut pour la dégager de la tige de maintien. Tirer la tablette pour la dégager de la tige arrière. Retirer de la caisse.
2. Réinstaller la tablette :
 - Remettre les tiges en place dans les trous. Appuyer sur les tiges pour qu'elles s'enclenchent dans les trous.
 - Repérer les garnitures avant et arrière de la tablette.



- Placer la garniture arrière sur la tige arrière et appuyer sur la tablette pour que la tige s'enclenche dans la garniture avant. (Maintenir l'avant soulevé tout en poussant.)
- Abaisser l'avant de la tablette jusqu'à ce que la garniture avant soit sur la tige et appuyer sur la tablette pour que la tige s'enclenche dans la garniture avant.

REMARQUE: S'assurer que les deux côtés de la tablette sont correctement positionnés dans les trous du support et que la tablette est fixée.

Précautions à prendre avant les vacances ou le déménagement

Vacances

Si vous choisissez de laisser le réfrigérateur en marche pendant votre absence :

1. Consommer toutes les denrées périssables et congeler les autres articles.
2. Si le réfrigérateur comporte une machine à glaçons automatique et qu'il est raccordé à la source d'approvisionnement en eau du domicile, fermer la source d'approvisionnement en eau du réfrigérateur. Des dommages matériels peuvent subvenir si l'alimentation en eau n'est pas coupée.
3. Si votre machine à glaçons est automatique, éteindre la machine à glaçons.
REMARQUE: Selon le modèle, soulever le bras de commande métallique à la position Off (arrêt) (position élevée), ou placer le commutateur sur Off (arrêt).
4. Vider le bac à glaçons.

Si vous choisissez d'arrêter le réfrigérateur avant votre absence :

1. Enlever tous les aliments du réfrigérateur.
2. Si le réfrigérateur est équipé d'une machine à glaçons automatique :
 - Fermer l'approvisionnement en eau de la machine à glaçons au moins un jour à l'avance.
 - Lorsque la dernière quantité de glaçons est déposée, soulever le bras de commande métallique à la position Off (haute) ou déplacer le commutateur au réglage Off (arrêt).
3. Selon le modèle, tourner la commande du réfrigérateur à Off (arrêt) ou désactiver le refroidissement. Voir la section « Description des commandes » du guide de démarrage rapide.
4. Débrancher le réfrigérateur ou déconnecter la source de courant électrique.
5. Bien nettoyer, essuyer et sécher.
6. À l'aide d'un ruban adhésif, placer des blocs de caoutchouc ou de bois dans la partie supérieure de chaque porte de façon à ce qu'elles soient suffisamment ouvertes pour permettre à l'air d'entrer et d'éviter l'accumulation d'odeur ou de moisissure.

Déménagement

En cas de déménagement et de déplacement du réfrigérateur dans une nouvelle habitation, suivre ces étapes pour préparer le déménagement.

1. Si le réfrigérateur est équipé d'une machine à glaçons automatique :
 - Fermer l'approvisionnement en eau de la machine à glaçons au moins un jour à l'avance.
 - Débrancher la canalisation d'eau de l'arrière du réfrigérateur.
 - Lorsque la dernière quantité de glaçons est déposée, soulever le bras de commande métallique à la position Off (haute) ou déplacer le commutateur au réglage Off (arrêt).
2. Retirer tous les aliments du réfrigérateur et placer tous les aliments congelés dans de la neige carbonique.
3. Vider le bac à glaçons.
4. Selon le modèle, tourner la commande du réfrigérateur à Off (arrêt) ou désactiver le refroidissement. Voir la section « Description des commandes » du guide de démarrage rapide.
5. Débrancher le réfrigérateur ou déconnecter la source de courant électrique.

6. Bien nettoyer, essuyer et sécher.
7. Retirer toutes les pièces amovibles, bien les envelopper et les attacher ensemble avec du ruban adhésif pour qu'elles ne bougent et ne s'entrechoquent pas durant le déménagement.
8. Selon le modèle, soulever le devant du réfrigérateur pour qu'il roule plus facilement ou visser les pieds de nivellement pour qu'ils n'égratignent pas le plancher. Voir les sections « Ajustement des portes » ou « Retrait, ajustement de l'aplomb et alignement des portes » du guide de caractéristiques en ligne.
9. Fermer les portes à l'aide de ruban adhésif et fixer le cordon d'alimentation à la partie arrière du réfrigérateur.

Une fois arrivé à votre nouveau domicile, remettre tout en place et consulter les instructions d'installation pour des instructions sur la préparation de l'appareil. Aussi, si le réfrigérateur comporte une machine à glaçons automatique, ne pas oublier de rebrancher l'approvisionnement en eau au réfrigérateur.

INSTRUCTIONS D'INSTALLATION

Déballage du réfrigérateur

⚠ AVERTISSEMENT

Risque du poids excessif

Utiliser deux personnes ou plus pour déplacer et installer ou désinstaller l'appareil.

Le non-respect de cette instruction peut causer une blessure au dos ou d'autre blessure.

Retrait des matériaux d'emballage

Éliminer/recycler tous les matériaux d'emballage. Ne pas utiliser d'instruments coupants, d'alcool à friction, de liquides inflammables ou de nettoyants abrasifs pour enlever le ruban adhésif ou la colle. Ces produits peuvent endommager la surface du réfrigérateur. Pour plus de renseignements, voir la section « Sécurité du réfrigérateur ».

Lors du déplacement du réfrigérateur :

Ce réfrigérateur est lourd. Lors du déplacement de ce réfrigérateur pour un nettoyage ou un entretien, veiller à recouvrir le plancher d'un carton ou panneau de fibre dur pour éviter de l'endommager. Toujours tirer le réfrigérateur tout droit lors du déplacement. Ne pas incliner le réfrigérateur d'un côté ou de l'autre ni le « faire marcher » en essayant de le déplacer, car le sol pourrait être endommagé.

IMPORTANT:

- Pour les modèles de la profondeur des comptoirs, utiliser une clé à douille de 1/2 po pour retirer les cales (on recommande l'utilisation d'une rallonge pour clé à douille).
- Les quatre roulettes doivent toucher le plancher pour supporter et stabiliser le poids total du réfrigérateur.

Nettoyage avant utilisation

Après avoir enlevé tous les matériaux d'emballage, nettoyer l'intérieur du réfrigérateur avant de l'utiliser. Voir la section « Nettoyage » de ce manuel.

Informations importantes à propos des tablettes et des couvercles en verre :

Ne pas nettoyer les tablettes ou les couvercles de verre avec de l'eau tiède lorsqu'ils sont froids. Les tablettes et couvercles peuvent se briser s'ils sont exposés à un changement de températures ou impact soudain, tel qu'une chute. Le verre trempé est conçu pour se briser en de multiples petits morceaux de la taille de gravillons. Ceci est normal. Les tablettes en verre et

les couvercles sont lourds. Employer les deux mains lorsqu'on les retire afin d'éviter de les faire tomber.

Exigences d'emplacement

⚠ AVERTISSEMENT



Risque d'explosion

Garder les matières et les vapeurs inflammables, telles que l'essence, à l'écart de l'appareil.

Utiliser un produit de nettoyage ininflammable.

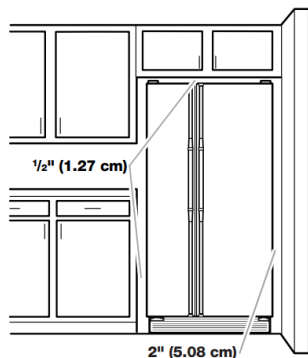
Le non-respect de ces instructions peut causer un décès, une explosion ou un incendie.

IMPORTANT:

- Ce réfrigérateur est conçu pour un usage domestique, à l'intérieur uniquement.
- Observer les dispositions de tous les codes et règlements en vigueur.
- **Installateur** : Laisser le manuel d'utilisation au propriétaire.
- **Propriétaire** : Conserver les instructions d'installation pour consultation ultérieure et pour utilisation par l'inspecteur local des installations électriques.
- Garder la pièce de carton ou de contreplaqué d'expédition sous le réfrigérateur jusqu'à son installation à l'emplacement de service.
- Observer les spécifications et dimensions d'installation.
- Retirer toute moulure ou tout panneau décoratif des meubles de cuisine qui entraveraient l'accès au réfrigérateur lors d'une intervention de réparation.
- Communiquer avec un électricien qualifié.

Pour une installation côte à côte standard :

Pour obtenir une aération appropriée pour votre réfrigérateur, laissez un espace de 1/2 po (1,27 cm) de chaque côté et au sommet. Laissez un espace de 2" (5,08 cm) derrière le réfrigérateur. Si le réfrigérateur comporte une machine à glaçons, s'assurer qu'un espace additionnel est prévu à l'arrière pour permettre les raccordements des conduits d'eau. En cas d'installation du réfrigérateur près d'un mur fixe, laissez un minimum de 2 po (5,08 cm) de chaque côté (selon le modèle) pour permettre à la porte de s'ouvrir sans obstruction.



REMARQUES :

- Ce réfrigérateur est conçu pour être utilisé dans un endroit où la température est comprise entre un minimum de 55 °F (13 °C) et un maximum de 110 °F (43 °C). La plage de température ambiante idéale pour un rendement optimal est comprise entre 60 °F (15 °C) et 90 °F (32 °C). Respecter cette plage de température permet aussi de réduire la consommation d'électricité et d'optimiser l'efficacité du refroidissement. Il est recommandé de ne pas installer le réfrigérateur près d'une source de chaleur comme un four ou un radiateur.
- La largeur de la cavité d'encastrement doit être d'au moins 36 po (91,44 cm) pour l'installation du produit. Cependant, si le produit est placé contre une paroi avec prolongement et si on veut pouvoir retirer les poêles à croustiller, il convient d'élargir la cavité de 18 po (45,72 cm). On recommande donc une cavité d'encastrement d'une largeur totale de 54 po (137,16 cm).

Pour une installation côte à côte à profondeur de comptoir :

REMARQUES :

- Le réfrigérateur peut être installé dans un encastrement, à l'extrémité des armoires ou en position autonome.
- Si vous installez le réfrigérateur pour qu'il soit en affleurement avec les armoires inférieures, il faut enlever toutes les moulures et plinthes de l'arrière de l'ouverture d'encastrement. Laisser un espace de 1 po (2,54 cm) derrière le réfrigérateur.
- L'emplacement doit permettre l'ouverture complète des portes. Voir la section « Dimensions du produit ».
- Ce réfrigérateur est conçu pour être utilisé dans un endroit où la température est comprise entre un minimum de 55 °F (13 °C) et un maximum de 110 °F (43 °C). La plage de température ambiante idéale pour un rendement optimal est comprise entre 60 °F (15 °C) et 90 °F (32 °C). Respecter cette plage de température permet aussi de réduire la consommation d'électricité et d'optimiser l'efficacité du refroidissement. Il est recommandé de ne pas installer le réfrigérateur près d'une source de chaleur comme un four ou un radiateur.
- Le plancher doit supporter le poids du réfrigérateur (plus de 600 lb [272 kg]) et de son contenu.

Outils requis :

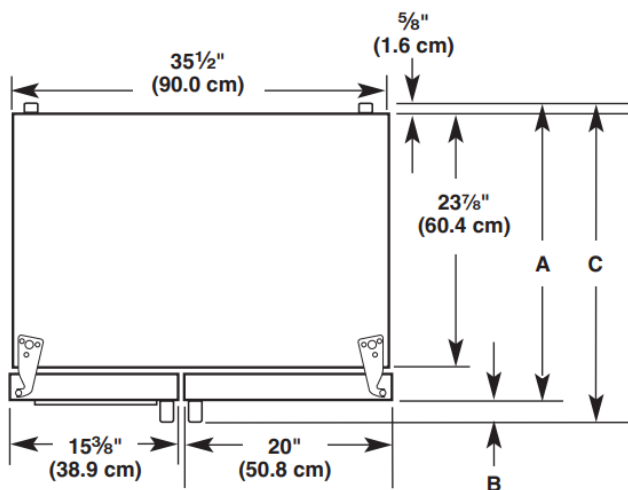
Rassembler les outils et pièces nécessaires avant d'entreprendre l'installation. Lire et observer les instructions fournies avec chacun des outils de la liste ci-dessous.

- | | |
|-----------------------------------|---------------------------------------|
| ■ Perceuse sans fil | ■ Clé à molette de 5/16 po |
| ■ Tourne-écrou et foret de 1/4 po | ■ Clés à fourche de 7/16 po et 1/2 po |
| ■ Tournevis à tête plate | ■ Clés à douille de 3/8 po et 1/2 po |
| ■ Deux clés à molette | |

Pièces nécessaires :

- Votre marchand de réfrigérateurs propose une trousse avec un robinet d'arrêt à étrier de 1/4 po (6,35 mm), un raccord et un tube en cuivre.
- L'utilisateur peut aussi acheter une canalisation de cuivre de 1/4 po (6,35 mm) avec robinet d'arrêt et un raccord à compression de 1/4 po (6,35 mm).
- Selon les connexions de la canalisation d'eau, on peut aussi avoir besoin d'un écrou de 1/4 po (6,35 mm) et d'une virole de 1/4 po (6,35 mm).

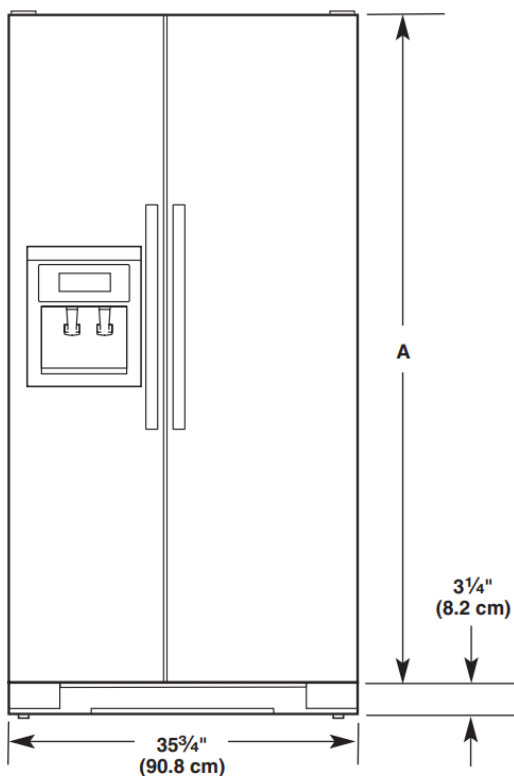
Dimensions du produit – Vue de dessus



Style de porte	Profondeur A	Profondeur B	Profondeur C
Plate	27 1/2 po (69,9 cm)	Maximum de 2 5/8 po (6,7 cm)*	Maximum de 30 po (76,2 cm)*
Incurvée	28 5/8 po (72,7 cm)	2 5/8 po (6,7 cm)	31 1/8 po (79,1 cm)

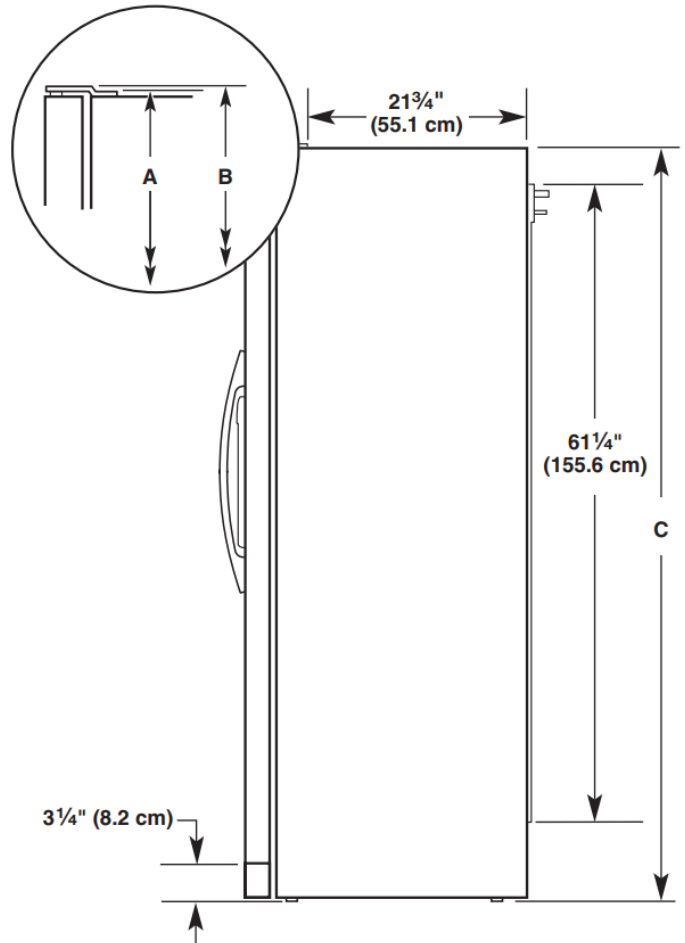
Les dimensions peuvent varier en fonction du type de poignée de porte.
La profondeur pour utilisation de la poignée la plus profonde est indiquée.

Dimensions du produit – Vue avant



Taille du modèle	Hauteur A
69 po	65 3/4 po (167,0 cm)
72 po	68 1/8 po (173,0 cm)

Dimensions du produit – Vue latérale



- Les dimensions de hauteur sont illustrées avec les pieds de nivellement déployés à la hauteur minimale de 1/4 po (6,35 mm) sous le réfrigérateur.

REMARQUE: Lorsque les pieds de nivellement sont totalement déployés de 1 po (25 mm) au-dessous du réfrigérateur, ajouter 3/4 po (19 mm) à la hauteur totale.

- La longueur du cordon d'alimentation est de 61 1/4 po (155,6 cm).
- La canalisation d'eau fixée à l'arrière du réfrigérateur mesure 78 po (198,1 cm) de long.

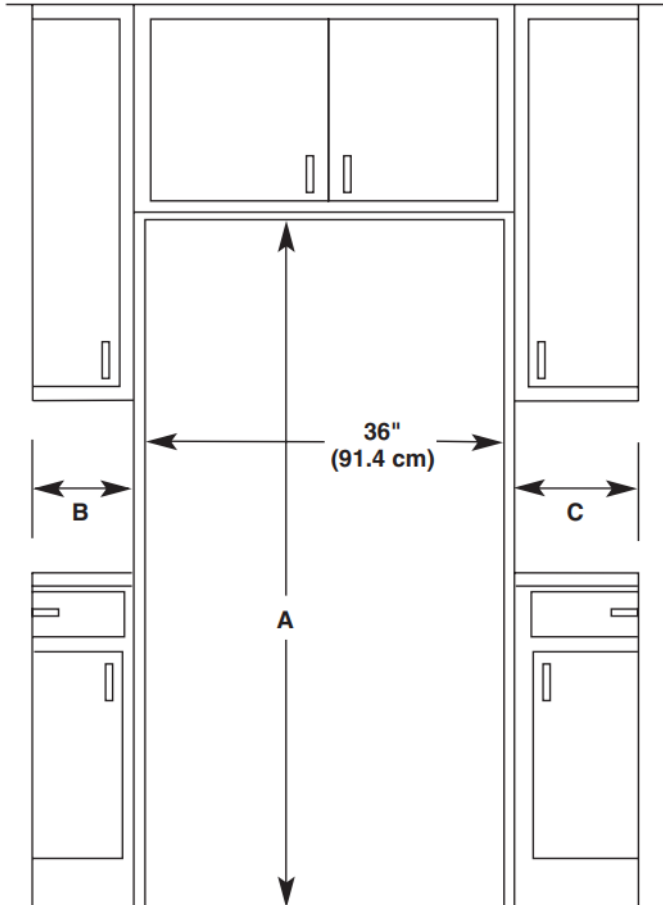
Taille du modèle	Hauteur A	Hauteur B	Hauteur C
69 po	68 7/8 po (174,9 cm)	68 7/8 po (174,9 cm)	68 1/2 po (174,0 cm)
72 po	71 1/4 po (181,0 cm)	71 1/4 po (181,0 cm)	71 po (180,3 cm)

Dimensions de l'ouverture

- Les dimensions de hauteur sont illustrées avec les pieds de nivellement déployés à la hauteur minimale de 1/4 po (6,35 mm) sous le réfrigérateur.

REMARQUE: Lorsque les pieds de nivellement sont totalement déployés de 1 po (25 mm) au-dessous du réfrigérateur, ajouter 3/4 po (19 mm) à la hauteur totale.

- Dans l'illustration suivante, « A » représente la hauteur d'ouverture nécessaire pour des armoires ordinaires. Pour les portes d'armoires à recouvrement complet avec ensemble de garniture, ajouter 1/8 po (0,3 cm).
- Dans l'illustration suivante, « B » représente la distance nécessaire pour l'ouverture complète de la porte du congélateur et « C », la distance nécessaire pour l'ouverture complète de la porte du réfrigérateur.



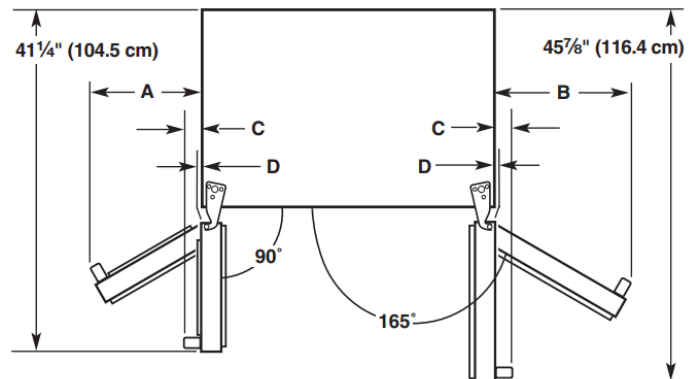
Taille du modèle et style de porte	Hauteur A	Largeur B	Largeur C
Plate de 69 po	69 po (175,3 cm)	Maximum de 13 5/8 po (34,6 cm)*	Maximum de 18 1/8 po (46,0 cm)*
Plate de 72 po	72 po (182,9 cm)	Maximum de 13 3/4 po (34,9 cm)	Maximum de 18 3/8 po (46,7 cm)
Incurvée de 69 po	69 po (175,3 cm)	13 5/8 po (34,6 cm)	18 3/8 po (46,7 cm)
Incurvée de 72 po	72 po (182,9 cm)	13 3/4 po (34,9 cm)	18 3/8 po (46,7 cm)

Les dimensions peuvent varier en fonction du type de poignée de porte.

La largeur pour utilisation de la poignée la plus large est indiquée.

Dimensions pour l'ouverture des portes

- L'emplacement d'installation doit permettre l'ouverture des portes à un angle minimal de 165°.
- Dans l'illustration suivante, « A » représente la distance nécessaire pour l'ouverture complète de la porte du congélateur et « B », la distance nécessaire pour l'ouverture complète de la porte du réfrigérateur.



Dimension	Portes plates	Portes incurvées
A	Maximum de 13 5/8 po (34,6 cm)*	13 3/4 po (34,9 cm)
B	Maximum de 18 1/8 po (46,0 cm)*	18 3/8 po (46,7 cm)
C	Maximum de 2 3/4 po (7,0 cm)*	3 3/4 po (9,5 cm)
D	1/8 po (0,3 cm)	1 1/4 po (3,2 cm)

Les dimensions peuvent varier en fonction du type de poignée de porte.

La largeur pour utilisation de la poignée la plus large est indiquée.

Spécifications électriques

⚠ AVERTISSEMENT



Risque de choc électrique

Brancher l'appareil sur une prise à 3 alvéoles reliée à la terre.

Ne pas enlever la prise de liaison à la terre.

Ne pas utiliser d'adaptateur.

Ne pas utiliser de rallonge.

Le non-respect de ces instructions peut causer un décès, un incendie ou un choc électrique.

Avant de placer le réfrigérateur à son emplacement final, il est important de s'assurer d'avoir la connexion électrique appropriée.

Méthode recommandée de liaison à la terre

Un circuit de 115 V CA à 60 Hz relié à la terre et protégé par un fusible de 15 A ou 20 A est requis. Il est recommandé d'utiliser un circuit distinct pour alimenter le réfrigérateur uniquement. Utiliser

une prise de courant dont l'alimentation ne peut pas être interrompue par un interrupteur. Ne pas utiliser de rallonge.

REMARQUE: Avant d'installer, de nettoyer un quelconque élément, de remplacer une ampoule d'éclairage, désactiver le refroidissement ou placer la commande (du thermostat, réfrigérateur ou congélateur selon le modèle) à Off (arrêt). Déconnecter ensuite le réfrigérateur de la source de courant électrique. Une fois l'opération terminée, reconnecter le réfrigérateur à la source d'alimentation. Mettre en marche le refroidissement ou réinitialiser le réglage (commande du thermostat, du réfrigérateur ou du congélateur selon le modèle) au réglage désiré. Voir la section « Descriptions des commandes » du guide de démarrage rapide.

Spécifications de l'alimentation en eau

Rassembler les outils et pièces nécessaires avant d'entreprendre l'installation. Lire et observer les instructions fournies avec chacun des outils de la liste ci-dessous.

Outils requis :

- Tournevis à tête plate
- Clés plates de 7/16 po et 1/2 po ou deux clés à molette
- Tourne-écrou de 1/4 po
- Foret de 1/4 po
- Perceuse sans fil

REMARQUE: Votre marchand de réfrigérateurs propose une trousse avec un robinet d'arrêt à étrier de 1/4 po (6,35 mm), un raccord et un tube en cuivre ou en polyéthylène réticulé. Avant d'en faire l'achat, s'assurer que le robinet d'arrêt à étrier est conforme aux codes locaux de plomberie. Ne pas employer de robinet d'arrêt à étrier de 3/16 po (4,76 mm) ou de type à percer – ils réduisent le débit d'eau et s'obstruent plus facilement.

IMPORTANT:

- Toutes les installations doivent être conformes aux exigences des codes locaux de plomberie.
- Utiliser un tuyau en cuivre ou en polyéthylène réticulé et vérifier qu'il n'y a pas de fuite. Installer seulement des tuyaux en cuivre ou en polyéthylène réticulé là où les températures resteront au-dessus du point de congélation.

Pression d'eau

Une alimentation en eau froide avec une pression entre 30 et 120 lb/po² (207 et 827 kPa) est nécessaire pour faire fonctionner le distributeur d'eau et la machine à glaçons. Pour toute question au sujet de la pression de l'eau, faire appel à un plombier qualifié agréé.

Si le réfrigérateur comporte un distributeur d'eau : Une fois l'installation terminée, utiliser le distributeur d'eau pour vérifier que la pression de l'eau est correcte.

- Avec le filtre à eau retiré, verser l'équivalent d'une (1) tasse d'eau (237 mL). Si l'équivalent d'une (1) tasse d'eau est distribué en 8 secondes ou moins, cela signifie que la pression en eau alimentant le réfrigérateur répond au critère minimal.
- S'il faut plus de 8 secondes à la machine pour distribuer l'équivalent d'une (1) tasse d'eau, cela signifie que la pression en eau alimentant le réfrigérateur est inférieure au niveau recommandé. Voir la section « Dépannage » en ligne pour plus de suggestions.

Alimentation en eau par osmose inverse

IMPORTANT: La pression de l'alimentation en eau entre le système d'osmose inverse et le robinet d'arrivée d'eau du réfrigérateur doit se situer entre 207 à 827 kPa (30 et 120 lb/po²).

Si un système de filtration de l'eau par osmose inverse est raccordé à votre alimentation en eau froide, la pression de l'eau

au système doit être d'un minimum de 276 à 414 kPa (40 à 60 lb/po²).

Si la pression d'eau au système de filtration par osmose inverse est inférieure à 276 - 414 kPa (40 - 60 lb/po²) :

- Vérifier que le filtre à sédiment dans le système à osmose inverse n'est pas obstrué. Remplacer le filtre si nécessaire.
- Laisser le réservoir du système d'osmose inverse se remplir après une utilisation intense.
- Si le réfrigérateur comporte un filtre à eau, celui-ci peut réduire la pression de l'eau lorsqu'il est utilisé avec un système d'osmose inverse. Enlever le filtre à eau. Consulter la section « Système de filtration d'eau ».

Pour toute question au sujet de la pression de l'eau, faire appel à un plombier qualifié agréé.

Raccordement à la canalisation d'eau

Lire toutes les instructions avant de commencer.

IMPORTANT:

- Brancher sur une alimentation en eau potable uniquement.
- Réaliser l'installation de plomberie conformément aux prescriptions du International Plumbing Code et des normes et codes locaux en vigueur.
- Le tuyau d'eau gris situé à l'arrière du réfrigérateur (et utilisé pour raccorder l'appareil à la canalisation d'eau du domicile) est un tuyau en polyéthylène réticulé. Il est possible d'utiliser des raccords en cuivre ou en polyéthylène réticulé pour le raccordement de la canalisation d'eau du domicile au réfrigérateur; ils contribuent à éviter que l'eau ait un goût ou une odeur désagréable. Vérifier qu'il n'y a pas de fuites. Pour les pièces recommandées si un tuyau en polyéthylène réticulé est utilisé à la place du cuivre :
W10505928RP (polyéthylène réticulé chemisé de 7 pi [2,14 m]),
8212547RP (polyéthylène réticulé de 5 pi [1,52 m]) ou
W10267701RP (polyéthylène réticulé de 25 pi [7,62 m]).
- Installer des tuyaux seulement là où les températures resteront au-dessus du point de congélation.

Outils requis :

Rassembler les outils et pièces nécessaires avant d'entreprendre l'installation. Lire et observer les instructions fournies avec chacun des outils de la liste ci-dessous.

- Tournevis à tête plate
- Clés plates de 7/16 po et 1/2 po ou deux clés à molette
- Tourne-écrou de 1/4 po

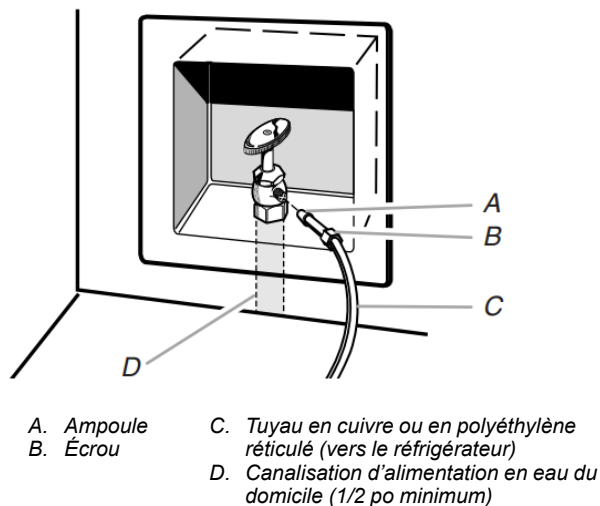
Raccordement à la canalisation d'eau

IMPORTANT: Si on met le réfrigération en marche avant que la canalisation d'eau ne soit raccordée, éteindre la machine à glaçons.

Style 1 (recommandé)

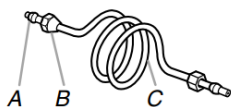
1. Débrancher le réfrigérateur ou déconnecter la source de courant électrique.
2. Couper l'alimentation principale en eau. Ouvrir le robinet le plus proche assez longtemps pour vider l'eau du tuyau.
3. Utiliser un robinet d'arrêt quart de tour ou équivalent alimenté par une canalisation d'alimentation domestique en cuivre ou en polyéthylène réticulé de 1/2 po.

REMARQUE: Pour que le réfrigérateur reçoive un débit d'eau suffisant, on recommande l'emploi d'une canalisation d'alimentation domestique en cuivre ou en polyéthylène réticulé de 1/2 po minimum.



4. On est maintenant prêt à connecter le tuyau en cuivre ou en polyéthylène réticulé au robinet d'arrêt. Utiliser une canalisation en cuivre ou en polyéthylène réticulé de 1/4 po (6,35 mm) (diamètre externe) pour raccorder le robinet d'arrêt au réfrigérateur.

- S'assurer d'avoir la longueur nécessaire pour une installation correcte. Il faut s'assurer que les deux extrémités du tuyau en cuivre sont bien coupées à angle droit.
- Installer la bague et l'écrou à compression sur le tuyau en cuivre comme indiqué. (Le tuyau en polyéthylène réticulé possède des viroles et écrous de compression déjà installés.) Insérer l'extrémité du tuyau aussi profondément que possible dans l'extrémité de sortie et à l'équerre. Visser l'écrou de compression sur l'extrémité de sortie du raccord à l'aide d'une clé à molette. Ne pas serrer excessivement.



A. Virole de compression
B. Écrou de compression
C. Tuyau en cuivre ou en polyéthylène réticulé

5. Placer l'extrémité libre de la canalisation dans un contenant ou un évier et rétablir l'alimentation principale en eau pour nettoyer le tuyau jusqu'à ce que l'eau soit limpide. Fermer le robinet d'arrêt de la canalisation d'eau.

REMARQUE: Toujours vidanger le tuyau d'alimentation en eau avant de faire le raccordement final sur l'entrée du robinet pour éviter tout mauvais fonctionnement éventuel du robinet.

6. Courber le tuyau de cuivre ou de polyéthylène réticulé de façon à le raccorder à l'arrivée de la canalisation d'eau située à l'arrière de la caisse du réfrigérateur. Laisser une partie du tube en cuivre ou de polyéthylène réticulé enroulée pour permettre de dégager le réfrigérateur de l'armoire ou du mur en cas de dépannage.

Style 2

1. Débrancher le réfrigérateur ou déconnecter la source de courant électrique.
2. Couper l'alimentation principale en eau. Ouvrir le robinet le plus proche assez longtemps pour vider l'eau du tuyau.

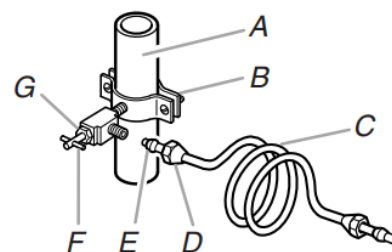
3. Trouver une canalisation d'eau froide verticale de 1/2 po (1,27 cm) à 1 1/4 po (3,18 cm) près du réfrigérateur.

IMPORTANT:

- Vérifier qu'il s'agit d'une canalisation d'eau froide.
- On peut aussi utiliser une canalisation horizontale; dans ce cas, on devra percer sur la face supérieure du tuyau et non pas au-dessous. Ceci permet de tenir la perceuse à l'écart de l'eau et d'empêcher les sédiments qu'on trouve normalement dans l'eau de s'accumuler dans le robinet d'arrêt.

4. Déterminer la longueur de la canalisation en cuivre ou en polyéthylène réticulé à utiliser. Mesurer la distance entre le point de connexion (angle inférieur arrière gauche du réfrigérateur) et la canalisation d'eau. Ajouter 7 pi (2,1 m) pour permettre les opérations de nettoyage. Utiliser une canalisation en cuivre ou en polyéthylène réticulé de 1/4 po (6,35 mm) (diamètre externe). Veiller à ce que la canalisation en cuivre ou en polyéthylène réticulé soit coupée d'équerre aux deux extrémités.

5. À l'aide d'une perceuse sans fil, percer un trou de 1/4 po (6,35 mm) dans la canalisation d'eau froide sélectionnée.



A. Canalisation d'eau froide
B. Bride de tuyau
C. Tuyau en cuivre ou en polyéthylène réticulé
D. Écrou de compression
E. Virole de compression
F. Robinet d'arrêt
G. Écrou de presse-étoupe

6. Fixer le robinet d'arrêt sur la canalisation d'eau froide avec la bride de tuyau. Veiller à bien insérer l'extrémité de sortie dans le trou de 1/4 po (6,35 mm) de la canalisation d'eau; veiller à placer correctement le joint sous la bride du tuyau. Serrer l'écrou de serrage. Serrer lentement et uniformément les vis fixant la bride de tuyau sur le tuyau afin d'assurer l'étanchéité du joint. Ne pas serrer excessivement, car ceci pourrait provoquer l'écrasement de la canalisation en cuivre ou en polyéthylène réticulé.

7. Installer la bague et l'écrou à compression sur le tuyau en cuivre comme indiqué. (Le tuyau en polyéthylène réticulé possède des viroles et écrous de compression déjà installés.) Insérer l'extrémité du tuyau aussi profondément que possible dans l'extrémité de sortie et à l'équerre. Visser l'écrou de compression sur l'extrémité de sortie du raccord à l'aide d'une clé à molette. Ne pas serrer excessivement.

8. Placer le bout libre de la canalisation dans un contenant ou évier et ouvrir le robinet principal d'alimentation en eau. Laisser l'eau s'écouler par la canalisation jusqu'à ce qu'elle soit limpide. Fermer le robinet d'arrêt de la canalisation d'eau. Tourner le tuyau en rouleau.

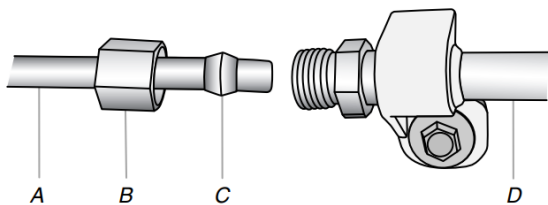
Raccordement au réfrigérateur

Style 1

1. Débrancher le réfrigérateur ou déconnecter la source de courant électrique.
2. Retirer et jeter la courte pièce en plastique noire de l'extrémité du point d'entrée de la canalisation d'eau.

3. Enfiler l'écrou sur l'extrémité du tuyau. Serrer l'écrou manuellement. Ensuite, serrer deux tours de plus avec une clé. Ne pas serrer excessivement.

REMARQUE: Pour éviter les vibrations, veiller à ce que les tuyaux en cuivre ne soient pas en contact avec les parois latérales de la machine à glaçons ou d'autres composants à l'intérieur de la caisse.

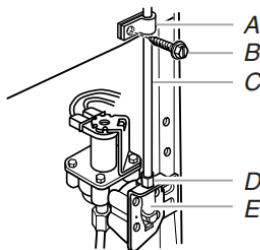


A. Canalisation d'eau du domicile
B. Écrou (à acheter)
C. Virole (à acheter)
D. Tuyau d'eau du réfrigérateur

4. Installer la bride de la canalisation d'alimentation en eau bien autour de la canalisation pour réduire la pression sur le raccord.
5. Ouvrir le robinet d'arrêt.
6. Vérifier qu'il n'y a pas de fuites. Serrer tous les raccords (y compris les raccords du robinet) ou les écrous qui présentent des fuites.

Style 2

1. Débrancher le réfrigérateur ou déconnecter la source de courant électrique.
2. Retirer et jeter la pièce en plastique fixée au point d'entrée du robinet d'eau.
3. Raccorder la canalisation en cuivre ou en polyéthylène réticulé au robinet d'arrivée d'eau à l'aide d'un écrou et d'une bague de compression, comme illustré. Serrer l'écrou de compression. Ne pas serrer excessivement.



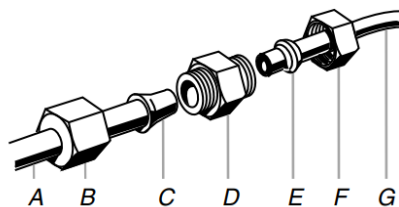
A. Bride de tuyau
B. Vis de bride de tuyau
C. Tube de cuivre
D. Écrou de compression
E. Orifice d'arrivée d'eau

4. Utiliser la bride du tube à l'arrière du réfrigérateur pour fixer le tube au réfrigérateur comme illustré. Ceci aide à éviter d'endommager le tube lorsque le réfrigérateur est poussé contre le mur.
5. Ouvrir le robinet d'arrêt.
6. Vérifier qu'il n'y a pas de fuites. Serrer tous les raccords (y compris les raccords du robinet) ou les écrous qui présentent des fuites.
7. Sur certains modèles, la machine à glaçons comporte un filtre à eau incorporé. Si les caractéristiques de l'eau requièrent un second filtre à eau, installer celui-ci dans la canalisation d'eau de 1/4 po (6,35 mm) à l'une ou l'autre des extrémités de la canalisation. Se procurer un filtre à eau auprès de votre revendeur d'appareils ménagers le plus proche.

Style 3

1. Débrancher le réfrigérateur ou déconnecter la source de courant électrique.
2. Retirer et jeter le bouchon en nylon noir du tuyau d'eau gris à l'arrière du réfrigérateur.
3. Si le tuyau gris fourni avec le réfrigérateur n'est pas assez long, il faut utiliser un raccord de 1/4 po x 1/4 po (6,35 mm x 6,35 mm) pour raccorder le tuyau à la canalisation d'eau du domicile. Enfiler l'écrou fourni sur le raccord à l'extrémité du tube de cuivre ou de polyéthylène réticulé.

REMARQUE: Serrer l'écrou manuellement. Ensuite, serrer deux tours de plus avec une clé. Ne pas serrer excessivement.



A. Tuyau d'eau du réfrigérateur
B. Écrou (fourni)
C. Ampoule
D. Raccord (à acheter)
E. Virole (à acheter)
F. Écrou (à acheter)
G. Canalisation d'eau du domicile

4. Ouvrir le robinet d'arrêt.
5. Vérifier qu'il n'y a pas de fuites. Serrer tous les raccords (y compris les raccords du robinet) ou les écrous qui présentent des fuites.

Terminer l'installation

⚠ AVERTISSEMENT



Risque de choc électrique

Brancher l'appareil sur une prise à 3 alvéoles reliée à la terre.

Ne pas enlever la prise de liaison à la terre.

Ne pas utiliser d'adaptateur.

Ne pas utiliser de rallonge.

Le non-respect de ces instructions peut causer un décès, un incendie ou un choc électrique.

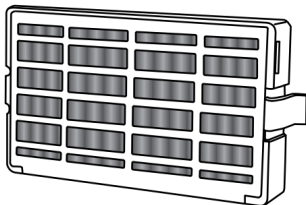
1. Brancher l'appareil dans une prise à 3 alvéoles reliée à la terre.
2. Attendre quelques minutes. S'assurer que le compresseur fonctionne bien et que toutes les lumières s'allument.
REMARQUE: Si le réfrigérateur ne fonctionne pas, vérifier si le disjoncteur s'est déclenché ou si un fusible est grillé.
3. Rincer le système de distribution d'eau. Voir la section « Distributeurs d'eau et de glaçons ».

REMARQUE: Prévoir un délai de 24 heures pour la production du premier lot de glaçons. Prévoir un délai de 72 jours pour le remplissage complet du récipient à glaçons.

IMPORTANT: Si la construction se poursuit après l'installation du réfrigérateur, débrancher le réfrigérateur ou déconnecter la source de courant électrique.

Installer le filtre à air (sur certains modèles)

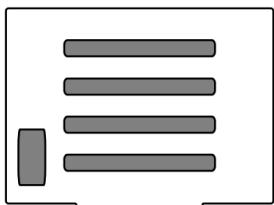
Sur certains modèles, le sachet d'accessoires du réfrigérateur comprend un filtre à air qui doit être installé avant d'utiliser le réfrigérateur. Sur certains modèles, le filtre à air est préinstallé à l'usine. Pour commander un filtre à air de remplacement, utiliser le numéro de pièce W10311524.



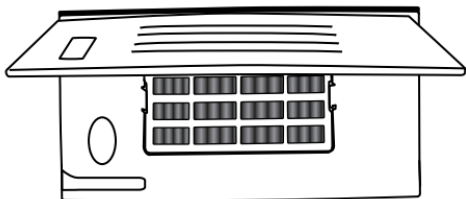
Ce filtre à air réduit l'accumulation d'odeurs. Ceci aide à maintenir un environnement plus propre à l'intérieur du réfrigérateur.

Installation du filtre à air

Le filtre doit être installé derrière la porte à aérations, située (selon le modèle) le long de la paroi intérieure gauche ou arrière, à proximité du sommet du compartiment de réfrigération.



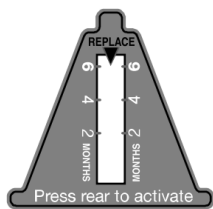
1. Retirer le filtre à air de son emballage.
2. Ouvrir la porte à aérations en la soulevant.
3. Emboîter le filtre pour le mettre en place.



4. Fermer la porte à aérations.

Installation des témoins lumineux (sur certains modèles)

Le filtre comporte un témoin d'état qui doit être activé et installé en même temps que le filtre à air.



1. Placer le témoin orienté vers le bas sur une surface ferme et plane.
2. Appliquer une pression sur la bulle située à l'arrière du témoin jusqu'à ce que la bulle éclate – ceci active le témoin.

3. Ouvrir la porte du filtre à air à aérations en la soulevant. Sur certains modèles, l'arrière de la porte comporte des encoches.

4. Modèles avec encoches :

- Faire glisser le témoin vers le bas, dans les encoches, en l'orientant vers l'extérieur.

REMARQUE: Le témoin ne glissera pas facilement dans les encoches si la bulle arrière n'a pas éclaté.

- Fermer la porte du filtre à air et vérifier que le témoin est visible à travers le trou rectangulaire de la porte.

Modèles sans encoches :

- Placer le témoin dans un endroit visible dont l'utilisateur se souviendra facilement – soit à l'intérieur du réfrigérateur soit dans un autre endroit de la cuisine ou du domicile.

Remplacer le filtre à air

Le filtre à air jetable doit être remplacé tous les 6 mois, lorsque le témoin est entièrement passé du blanc au rouge.

Pour commander un filtre à air de remplacement, consulter les informations de commande du guide de démarrage rapide.

1. Retirer l'ancien filtre à air en serrant les onglets latéraux.
2. Retirer l'ancien témoin.
3. Installer le filtre à air et le témoin neufs à l'aide des instructions des sections précédentes.

Installation du conservateur de produits frais (sur certains modèles)

Le sachet d'accessoires du réfrigérateur comprend un sachet de conservation pour produits frais, qui doit être installé avant d'utiliser le réfrigérateur. Sur certains modèles, le conservateur pour produits frais est préinstallé à l'usine. Pour commander un conservateur pour produits frais, utiliser le numéro de pièce W10346771.

Le conservateur pour produits frais absorbe l'éthylène, permettant ainsi un ralentissement du processus de maturation de nombreux produits frais. Ainsi, la fraîcheur de certains produits frais est prolongée.

La production d'éthylène et la sensibilité des produits à l'éthylène varient selon le type de fruit ou de légume. Pour préserver la fraîcheur des produits, il est conseillé de séparer les produits frais sensibles à l'éthylène des fruits qui en produisent en quantité modérée à élevée.

	Sensibilité à l'éthylène	Production d'éthylène
Pommes	Élevée	Très élevé
Asperges	Moyenne	Très basse
Petits fruits	Basse	Basse
Brocoli	Élevée	Très basse
Cantaloup	Moyenne	Élevée
Carottes	Basse	Très basse
Agrumes	Moyenne	Très basse
Raisin	Basse	Très basse
Laitue	Élevée	Très basse
Poires	Élevée	Très élevé
Épinards	Élevée	Très basse

Installation du conservateur pour produits frais

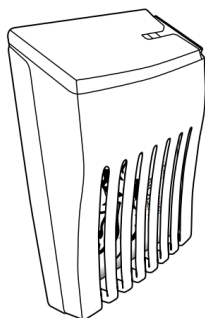
ATTENTION: IRRITANT. PEUT ÊTRE IRRITANT POUR LES YEUX ET LA PEAU. CE PRODUIT DÉGAGE DES VAPEURS DANGEREUSES LORSQUE MÉLANGÉ À D'AUTRES PRODUITS.

PEUT ÊTRE IRRITANT POUR LES YEUX ET LA PEAU. CE PRODUIT DÉGAGE DES VAPEURS DANGEREUSES LORSQUE MÉLANGÉ À D'AUTRES PRODUITS.

Ne pas mélanger à des produits de nettoyage contenant de l'ammoniaque, un agent de blanchiment ou des acides. Ne pas mettre en contact avec les yeux, la peau ou les vêtements. Ne pas inhaler les poussières. Conserver hors de portée des enfants.

PREMIERS SOINS : Contient du permanganate de potassium. En cas d'ingestion, appeler immédiatement un centre antipoison ou un médecin. Ne pas faire vomir. S'il y a eu contact avec les yeux, rincer sous l'eau pendant 15 minutes. S'il y a eu contact avec la peau, rincer sous l'eau.

Les sachets de conservation pour produits frais doivent être installés dans leur logement, situé le long d'une paroi latérale interne du bac à légumes ou du tiroir convertible.

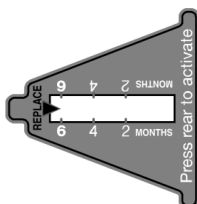


REMARQUE: Pour un rendement idéal, toujours utiliser les deux sachets.

1. Retirer les sachets de conservation pour produits frais de leur emballage.
2. Soulever le logement pour l'extraire de la languette de montage le long de la paroi.
3. Ouvrir le logement en soulevant l'arrière du sommet du logement pour l'extraire.
4. Placer les deux sachets à l'intérieur du logement puis emboîter les deux parties du logement pour le refermer.
5. Réinstaller le logement sur la languette de montage le long de la paroi.

Installation du témoin d'état

Le sachet de conservation pour produits frais comporte un témoin lumineux qui doit être activé et installé en même temps que le sachet.



1. Placer le témoin orienté vers le bas sur une surface ferme et plane.
2. Appliquer une pression sur la bulle située à l'arrière du témoin jusqu'à ce que la bulle éclate – ceci active le témoin.
3. Ouvrir le couvercle du logement du conservateur pour produits frais.
4. Placer le témoin sur le sommet du logement en l'orientant vers l'extérieur.

5. Fermer le couvercle en le faisant coulisser et vérifier que le témoin est visible à travers le trou rectangulaire du couvercle.

REMARQUE: Le couvercle ne se fermera pas facilement si la bulle arrière du témoin lumineux n'a pas éclaté.

Remplacer le sachet de conservation pour produits frais

Les sachets jetables doivent être remplacés tous les 6 mois, lorsque le témoin est entièrement passé du blanc au rouge.

Pour commander, consulter les coordonnées indiquées dans le guide de démarrage rapide. Commander le numéro de pièce W10346771A ou FRESH1.

1. Retirer les sachets usagés du logement du conservateur pour produits frais.



2. Retirer l'ancien témoin.
3. Installer les sachets et le témoin neufs en suivant les instructions des sections précédentes.

CARACTÉRISTIQUES DU RÉFRIGÉRATEUR

Commande de température dans le tiroir convertible (sur certains modèles)

La commande peut être réglée pour un refroidissement approprié des viandes ou des légumes. L'air à l'intérieur du contenant est refroidi pour éviter les « petits espaces » de congélation et peut être réglé pour garder les viandes aux températures de conservation de 28 °F à 32 °F (de -2 °C à 0 °C) recommandées par l'Office national du bétail et des viandes.

Conservation de la viande :

Régler la commande sur l'un des trois réglages Meat (viande) pour conserver la viande à sa température de conservation optimale.

Conservation des légumes :

Régler la commande à Veg (légumes) pour conserver les légumes à leurs températures de conservation optimales.

REMARQUE: Si les aliments commencent à geler, déplacer le réglage vers la droite (moins froid), vers le réglage Veg (légumes). Ne pas oublier d'attendre 24 heures entre les réglages.

Commande d'humidité dans le bac à légumes (sur certains modèles)

Le degré d'humidité dans le bac à légumes étanche peut être contrôlé. La commande peut être placée à n'importe quel réglage entre Low (faible) et High (élevée).

LOW (bas) (ouvert) pour une meilleure conservation des fruits et légumes à pelures.

HIGH (haut) (fermé) pour une meilleure conservation des légumes à feuilles frais.

Évaporateur double (sur certains modèles)

Certains modèles sont équipés d'un double système d'évaporation séquentiel, composé de deux évaporateurs distincts pour les compartiments de réfrigération et de congélation.

La double évaporation engendre un taux d'humidité supérieur, ce qui contribue à ralentir la détérioration des aliments dans le réfrigérateur et à améliorer leur qualité et leur fraîcheur dans le congélateur, la brûlure de congélation étant moins vive. En outre, le double système d'évaporation contribue à éviter que les odeurs de nourriture présentes dans le réfrigérateur ne se transfèrent aux glaçons du congélateur.

REMARQUE: Le double système d'évaporation est toujours activé lorsque le réfrigérateur fonctionne. Il n'est pas nécessaire d'appuyer sur un quelconque bouton pour l'activer.

Distributeurs d'eau et de glaçons

Pour savoir comment les distributeurs d'eau et de glaçons, consulter le guide en ligne des fonctions des « distributeurs côte à côte du réfrigérateur ». Guide des caractéristiques.

REMARQUES :

- Brancher sur une alimentation en eau potable uniquement.
- Le système de distribution ne fonctionne pas lorsque la porte du réfrigérateur ou du congélateur est ouverte.
- Attendre 24 heures pour que le réfrigérateur et l'eau refroidissent.
- Prévoir un délai de 24 heures pour la production du premier lot de glaçons. Jeter les trois premiers lots de glaçons produits. Attendre 72 heures pour que la production de glaçons soit complète.
- Sur certains modèles, l'écran d'affichage sur le tableau de commande du distributeur s'éteint automatiquement et entre au mode « Veille » lorsque les boutons de commande et les plaques du distributeur n'ont pas été utilisés pendant au moins 2 minutes. Le fait d'appuyer une fois sur un bouton de commande alors que l'appareil est au mode « veille » réactive uniquement l'écran d'affichage, sans modifier les réglages.

Rinçage du circuit d'eau

De l'air piégé dans le système de distribution d'eau peut faire dégoutter le distributeur d'eau. Après avoir raccordé le réfrigérateur à une source d'alimentation en eau ou remplacé le filtre à eau, vidanger le circuit d'eau. Le fait de rincer le système de distribution d'eau évacue l'air de la canalisation et du filtre et conditionne le filtre à eau.

REMARQUE: Pendant l'évacuation de l'air du système, de l'eau peut gicler du distributeur.

1. En utilisant un récipient robuste, appuyer sur la plaque du distributeur d'eau pendant 5 secondes, puis relâcher la plaque pendant 5 secondes.
2. Répéter l'étape 1 jusqu'à ce que l'eau commence à couler.

3. Une fois que l'eau commence à couler, continuer d'appuyer et de relâcher la plaque du distributeur (appui pendant 5 secondes, relâchement pendant 5 secondes) jusqu'à ce qu'un total de 3 gal (12 L) ait été distribué.

Un amorçage supplémentaire peut s'avérer nécessaire dans certains domiciles.

Distributeur d'eau

IMPORTANT:

Distribuer au moins 1 pte (1 L) d'eau chaque semaine pour maintenir un approvisionnement en eau fraîche.

La diminution du débit en provenance du distributeur peut être causée par une faible pression en eau.

- Avec le filtre à eau retiré, verser l'équivalent d'une (1) tasse d'eau (237 mL). Si l'équivalent d'une (1) tasse d'eau est distribué en 8 secondes ou moins, cela signifie que la pression en eau alimentant le réfrigérateur répond au critère minimal.
- S'il faut plus de 8 secondes à la machine pour distribuer l'équivalent d'une (1) tasse d'eau, cela signifie que la pression en eau alimentant le réfrigérateur est inférieure au niveau recommandé. Voir les sections « Spécifications de l'alimentation en eau » ou « Dépannage » en ligne pour des suggestions sur la marche à suivre.

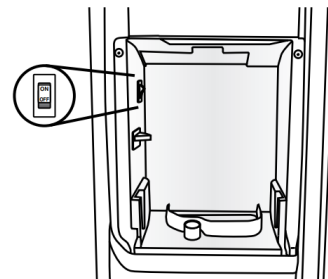
Machine à glaçons et bac d'entreposage

- Prévoir un délai de 24 heures pour la production du premier lot de glaçons. Jeter les trois premiers lots de glaçons produits.
- La qualité des glaçons dépend de la qualité de l'eau fournie à la machine à glaçons. Éviter de connecter la machine à glaçons à une alimentation en eau adoucie. Les produits chimiques adoucisseurs d'eau (comme le sel) peuvent endommager certaines pièces de la machine à glaçons et entraîner une mauvaise qualité de glaçons. Si l'alimentation en eau adoucie ne peut être évitée, s'assurer que l'adoucisseur d'eau fonctionne bien et qu'il est bien entretenu.
- Ne pas utiliser un objet pointu pour briser les glaçons dans le bac d'entreposage. Cette action peut endommager le récipient à glaçons et le mécanisme du distributeur.
- Ne pas garder quoi que ce soit sur le dessus ou dans la machine à glaçons ou dans le bac d'entreposage.

Style 1

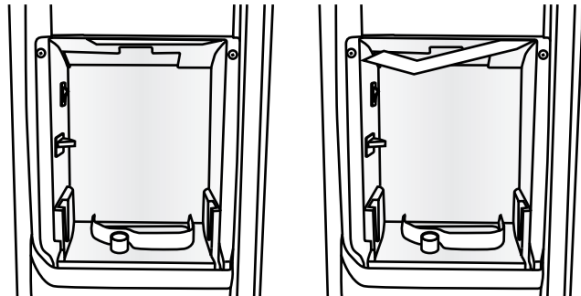
Mise en marche/arrêt de la machine à glaçons :

On ne peut accéder au commutateur marche/arrêt, situé sur la paroi gauche de la porte du congélateur, qu'une fois le bac d'entreposage à glaçons retiré. Voir la section suivante pour des instructions sur le retrait du bac.



- Pour mettre en marche la machine à glaçons, tourner le commutateur à la position On (marche) (vers le haut).
- Pour un arrêt manuel de la machine à glaçons, tourner le commutateur à la position Off (arrêt) (vers le bas).

REMARQUE: La machine à glaçons comporte un système d'arrêt automatique pour éviter le surremplissage du bac d'entreposage pendant un fonctionnement normal. Au fur et à mesure de la production, les glaçons remplissent le bac d'entreposage. Les glaçons soulèvent le bras de commande métallique jusqu'à ce qu'il atteigne la position Off (arrêt) (haut). Lorsque le bac d'entreposage est plein, la machine à glaçons arrête automatiquement la production de glaçons, mais le commutateur On/Off (marche/arrêt) reste à la position On (marche).

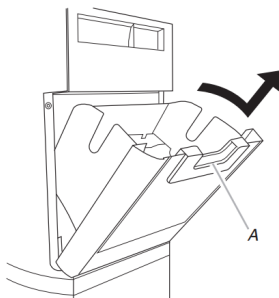


Production de glaçons Arrêt
(bras de commande vers le haut)

Production de glaçons Marche
(bras de commande vers le bas)

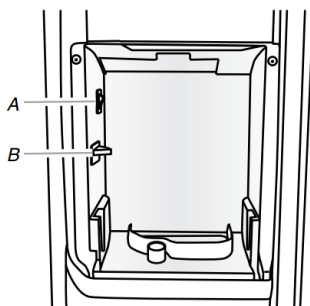
Retrait et réinstallation du bac d'entreposage des glaçons :

1. Appuyer sur le levier de dégagement et incliner le seau vers l'extérieur. Saisir la base du bac d'entreposage à deux mains et le soulever pour le dégager.



A. Levier de dégagement

REMARQUE: Il n'est pas nécessaire de tourner le commutateur On/Off (marche/arrêt) de la machine à glaçons à la position Off (arrêt) (vers le bas) lors du retrait du bac d'entreposage. Le capteur du bac d'entreposage situé sur la paroi de gauche (côté droit pour certains modèles) de la porte du congélateur interrompt la production de glaçons lorsque la porte est ouverte ou que le bac d'entreposage a été enlevé.



A. Interrupteur marche/arrêt B. Détecteur du bac d'entreposage

2. Réinstaller le bac en le faisant glisser sur la porte puis en l'inclinant vers l'arrière et en le plaçant en position verticale. Le levier de dégagement émet un déclic lorsque le bac est bien en place.

Style 2

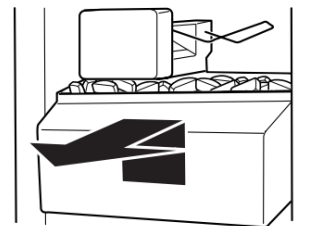
Mise en marche/arrêt de la machine à glaçons :

- Pour mettre la machine à glaçons en marche, il suffit d'abaisser le bras de commande métallique.
- Pour éteindre manuellement la machine à glaçons, soulever le bras de commande métallique à la position Off (position haute) et attendre l'émission d'un déclic. Les glaçons peuvent encore être distribués, mais aucun autre glaçon ne peut être produit.

REMARQUE: La machine à glaçons comporte un système d'arrêt automatique pour éviter le surremplissage du bac d'entreposage pendant un fonctionnement normal. Au fur et à mesure de la production, les glaçons remplissent le bac d'entreposage. Les glaçons soulèvent le bras de commande métallique jusqu'à ce qu'il atteigne la position Off (arrêt/position haute). Ne pas forcer le bras de commande à broche métallique vers le haut ou vers le bas.

Retrait et réinstallation du bac d'entreposage des glaçons :

1. Tirer le panneau par le bas.
2. Soulever le bras de commande métallique jusqu'à ce qu'il s'enclenche à la position Off (position haute).
3. Soulever l'avant du bac d'entreposage et le retirer.



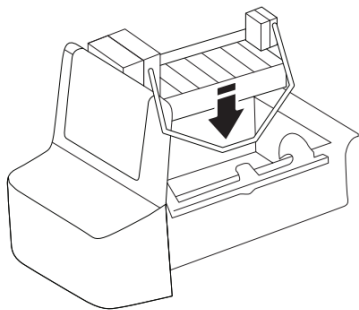
4. Replacer le bac à glaçons en le poussant complètement, sans quoi le distributeur ne fonctionnera pas.
5. Pour redémarrer la production de glaçons, abaisser le bras de commande d'arrêt métallique pour le placer à la position On (bas). S'assurer que la porte est bien fermée.

Style 3

Mise en marche/arrêt de la machine à glaçons :

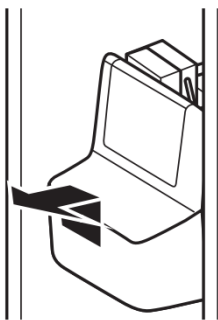
- Pour mettre en marche la machine à glaçons, ouvrir la porte de la machine à glaçons en la soulevant et abaisser le bras de commande d'arrêt métallique sur la position On (marche).
- Pour éteindre manuellement la machine à glaçons, soulever le bras de commande métallique à la position Off (position haute) et attendre l'émission d'un déclic. Les glaçons peuvent encore être distribués, mais aucun autre glaçon ne peut être produit.

REMARQUE: La machine à glaçons comporte un système d'arrêt automatique pour éviter le surremplissage du bac d'entreposage pendant un fonctionnement normal. Au fur et à mesure de la production, les glaçons remplissent le bac d'entreposage. Les glaçons soulèvent le bras de commande métallique jusqu'à ce qu'il atteigne la position Off (arrêt/position haute). Ne pas forcer le bras de commande à broche métallique vers le haut ou vers le bas.



Retrait et réinstallation du bac d'entreposage des glaçons :

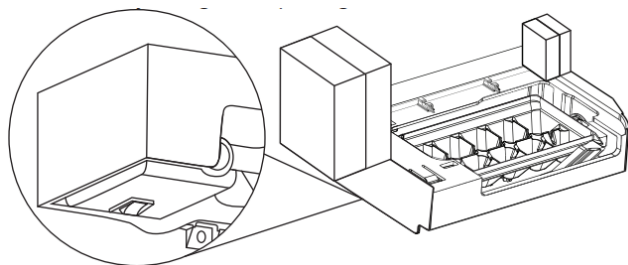
1. Soulever la porte de la machine à glaçons et la maintenir en position ouverte.
2. Soulever le bras de commande métallique jusqu'à ce qu'il s'enclenche à la position Off (position haute). Relâcher la porte de la machine à glaçons.
3. Soulever l'avant du bac d'entreposage et le retirer.
4. Replacer le bac à glaçons en le poussant complètement, sans quoi le distributeur ne fonctionnera pas.
5. Pour remettre en marche la production de glaçons, soulever la porte de la machine à glaçons et appuyer sur le bras de commande métallique à la position On (marche).



Style 4

Mise en marche/arrêt de la machine à glaçons :

Le commutateur On/Off (marche/arrêt) se trouve dans la partie inférieure de la machine à glaçons; on peut y accéder en soulevant et ouvrant la porte de la machine à glaçons.



- Pour mettre en marche la machine à glaçons, ouvrir la porte de la machine à glaçons en la soulevant et déplacer le commutateur vers la position On (marche) (droite).
- Pour désactiver la machine à glaçons manuellement, ouvrir la porte de la machine à glaçons en la soulevant et déplacer le commutateur vers la position Off (arrêt) (gauche). Les glaçons peuvent encore être distribués, mais aucun autre glaçon ne peut être produit.

REMARQUE: La machine à glaçons comporte un système d'arrêt automatique pour éviter le surremplissage du bac d'entreposage pendant un fonctionnement normal. Au fur et à mesure de la production, les glaçons remplissent le bac d'entreposage. Les glaçons soulèvent le bras de commande métallique jusqu'à ce qu'il atteigne la position Off (arrêt) (haut). Lorsque le bac d'entreposage est plein, la machine à glaçons arrête automatiquement la production de glaçons, mais le commutateur On/Off (marche/arrêt) reste à la position On (marche).

Retrait et réinstallation du bac d'entreposage des glaçons :

1. Tirer le panneau par le bas.
2. Soulever le bras de commande de plastique jusqu'à ce qu'il s'enclenche à la position Off (élevée).
3. Soulever l'avant du bac d'entreposage et le retirer.
4. Replacer le bac à glaçons en le poussant complètement, sans quoi le distributeur ne fonctionnera pas.
5. Pour redémarrer la production de glaçons, abaisser le bras de commande de plastique pour le placer à la position On (bas). S'assurer que la porte est bien fermée.

Système de filtration de l'eau

Ne pas utiliser ce produit pour filtrer une eau microbiologiquement polluée ou de qualité inconnue en l'absence d'un dispositif de désinfection adéquat en amont ou en aval du système. Les systèmes certifiés pour la réduction des kystes peuvent être utilisés pour une eau désinfectée susceptible de contenir des kystes filtrables.

Témoin lumineux de l'état du filtre à eau

Le témoin lumineux de l'état du filtre à eau vous aidera à savoir quand changer le filtre à eau. Il est situé dans le tableau de commande du réfrigérateur. Pour commander un filtre à eau de remplacement, utiliser le numéro de pièce W10295370A (P4RFWB).

Style 1 – État de commande et de remplacement :

- Lorsque l'affichage du témoin du filtre à eau sur le tableau de commande passe à « Order » (commander), ceci indique qu'il est presque temps de changer la cartouche du filtre à eau.
- Remplacer la cartouche du filtre à eau lorsque l'affichage de l'état du filtre passe à « Replace » (changer).

REMARQUE: Si le débit d'eau au distributeur d'eau ou à la machine à glaçons diminue de façon marquée, remplacer le filtre plus tôt. Le filtre doit être remplacé au moins tous les 6 mois selon la qualité de l'eau et l'utilisation.

Style 2 – État témoin rouge :

- Lorsque le témoin devient rouge sur le tableau de commande, ceci indique qu'il est temps de changer la cartouche du filtre à eau.
- Il est recommandé de remplacer le filtre lorsque le témoin lumineux de l'état du filtre passe au rouge ou lorsque le débit d'eau au distributeur ou à la machine à glaçons diminue de façon marquée.

REMARQUE: Le filtre doit être remplacé au moins tous les 6 mois selon la qualité de l'eau et l'utilisation.

Réinitialisation de l'état du filtre

Après avoir changé le filtre à eau, régler de nouveau le témoin lumineux de l'état du filtre à eau.

■ Pour les modèles avec un bouton d'options :

Appuyer sur le bouton Options pour accéder au mode Options, puis appuyer sur Lock (verrouillage) pour réinitialiser le témoin, et ensuite appuyer sur Measured Fill (remplissage mesuré) pour confirmer qu'on souhaite réinitialiser le témoin. Une fois le système réinitialisé, les icônes « Order » (commander) et « Replace » (remplacer) disparaissent de l'écran d'affichage.

■ **Pour les modèles avec un bouton Filter (filtre) :**

Appuyer sur le bouton Filter (filtre) pendant 3 secondes pour réinitialiser le témoin d'état. Une fois le système réinitialisé, les icônes « Order » (commander) et « Replace » (remplacer) disparaissent de l'écran d'affichage.

■ **Pour les modèles avec un bouton Temp Setting (réglage de la température) :**

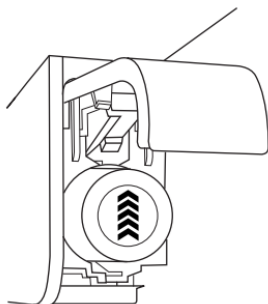
Le bouton de réinitialisation se trouve sur le tableau de commande du compartiment de réfrigération. Pour réinitialiser le témoin après avoir changé le filtre, appuyer sur Temp Setting (réglage de la température) en moins de 3 secondes. Le témoin lumineux passera du rouge pour s'éteindre dès que le système sera réinitialisé.

■ **Pour les modèles avec des boutons Light (lampe) et Ice Type (type de glaçons) :**

Réinitialiser le témoin lumineux de l'état du filtre en appuyant sur les boutons Light (lampe) et Ice Type (type de glaçons) pendant 3 secondes. Le témoin lumineux s'éteint lorsque le système est réinitialisé.

Remplacement du filtre à eau

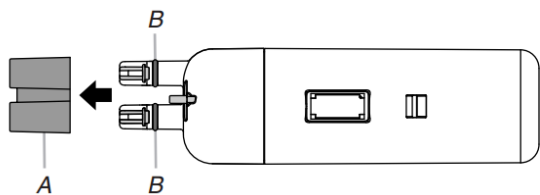
Style 1 – Coin supérieur droit :



1. Repérer le filtre à eau situé dans le coin supérieur droit du compartiment de réfrigération.
2. Ouvrir la porte du couvercle du filtre en la soulevant. Le filtre est libéré, puis éjecté lors de l'ouverture de la porte.
3. Une fois la porte complètement ouverte, retirer le filtre en le tirant en ligne droite.

REMARQUE: Il y aura peut-être de l'eau dans le filtre. Il est possible qu'il y ait un dégât d'eau. Utiliser une serviette pour essuyer tout renversement.

4. Sortir le filtre neuf de son emballage et retirer le couvercle. S'assurer que les joints toriques sont toujours en place une fois le couvercle retiré.



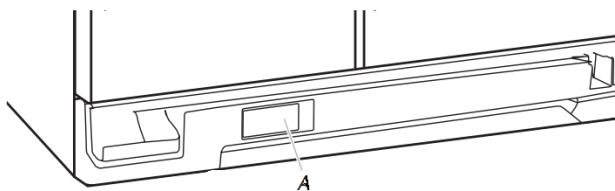
A. Capuchon

B. Joints toriques

5. Avec la flèche orientée vers le haut, aligner le filtre neuf avec le logement du filtre et le faire glisser pour le mettre en place. La porte du couvercle du filtre entame un mouvement automatique de fermeture à mesure qu'on insère le filtre neuf.
6. Fermer complètement le couvercle du filtre pour emboîter le filtre et le mettre en place. Il faudra peut-être appuyer fortement.
7. Après avoir changé le filtre, régler de nouveau le témoin lumineux de l'état du filtre.

8. Rincer le système de distribution d'eau. Consulter la section « Distributeurs d'eau et de glaçons » pour les détails.

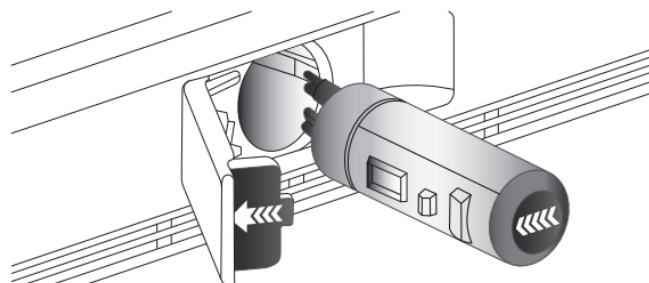
Style 2 – Grille de la base (éjection automatique) :



A. Couvercle du logement du filtre à eau

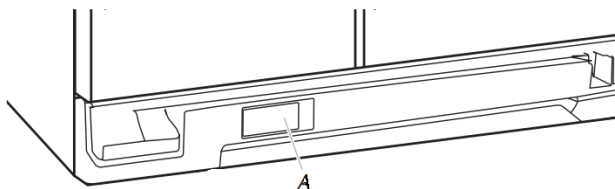
1. Repérer le clapet du logement du filtre à eau dans la grille de la base, l'ouvrir et le retirer. Le filtre est libéré, puis éjecté lors de l'ouverture de la porte.
2. Une fois la porte complètement ouverte, retirer le filtre en le tirant en ligne droite.

REMARQUE: Il y aura peut-être de l'eau dans le filtre. Il est possible qu'il y ait un dégât d'eau. Utiliser une serviette pour essuyer tout renversement.



3. Retirer le filtre neuf de son emballage, puis retirer les protections des anneaux d'étanchéité. S'assurer que les joints toriques sont toujours en place une fois que les bouchons sont retirés.
4. Avec la flèche orientée vers la gauche (vers la charnière de porte du logement du filtre), aligner le filtre neuf avec le logement du filtre et l'insérer en le faisant glisser. La porte du couvercle du filtre entame un mouvement automatique de fermeture à mesure qu'on insère le filtre neuf.
5. Fermer complètement le couvercle du filtre pour emboîter le filtre et le mettre en place. Il faudra peut-être appuyer fortement.
6. Rincer le système de distribution d'eau. Consulter la section « Distributeurs d'eau et de glaçons » pour les détails.

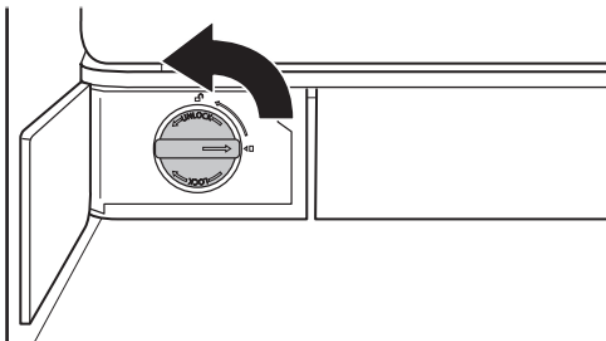
Style 3 – Grille de la base (tourner manuellement) :



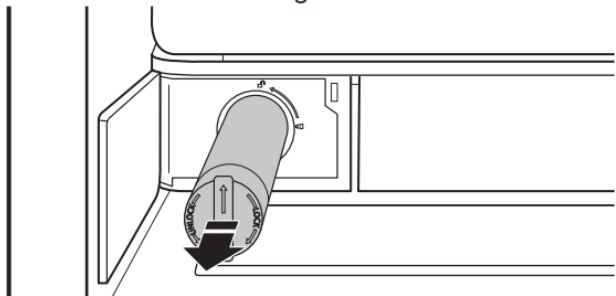
A. Couvercle du logement du filtre à eau

1. Repérer le clapet du logement du filtre à eau dans la grille de la base, l'ouvrir et le retirer.

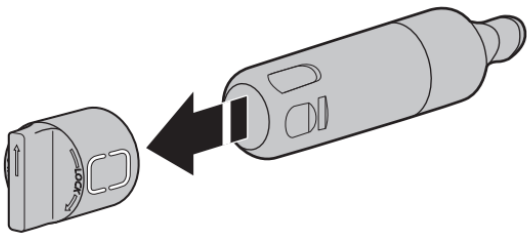
2. Pivoter le filtre à eau et tourner de 90 degrés dans le sens antihoraire pour le déverrouiller.



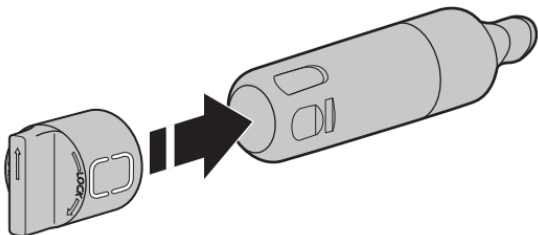
3. Retirer le filtre du compartiment.



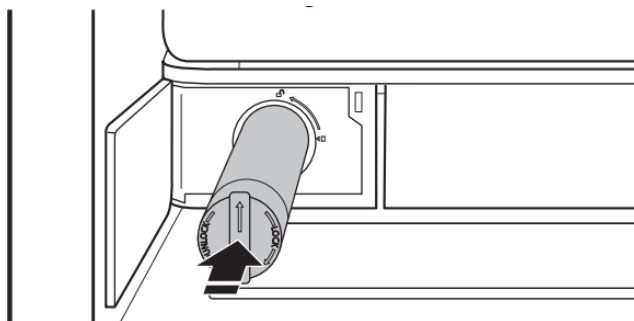
4. Retirer le capuchon du filtre à eau.



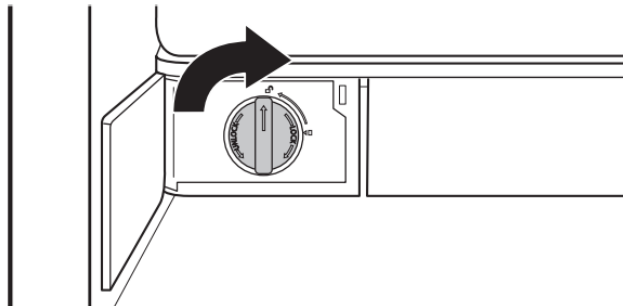
5. Installer le capuchon de filtre à eau sur le nouveau filtre. Aligner correctement les flèches pour que les rainures du filtre soient alignées avec les nervures du capuchon.



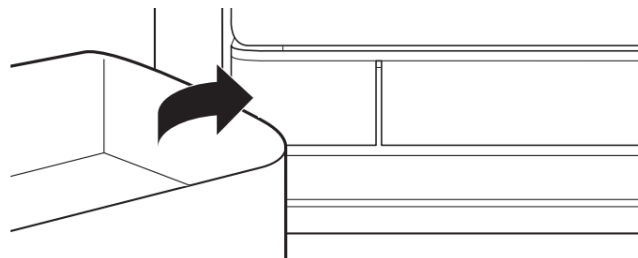
6. Placer le filtre dans le compartiment.



7. Pivoter le filtre à eau et tourner de 90 degrés dans le sens horaire pour le verrouiller en place et aligner les flèches.



8. Refermer la porte du filtre à eau.



RETRAIT DE LA PORTE ET AJUSTEMENT DU NIVEAU, STYLE 1

Instructions pour la porte

Rassembler les outils et pièces nécessaires et lire toutes les instructions avant de commencer l'installation. Conserver ces instructions pour référence ultérieure.

⚠ AVERTISSEMENT



Risque de décharge électrique

Déconnecter la source de courant électrique avant d'enlever les portes.

Le non-respect de cette instruction peut causer un décès ou une décharge électrique.

REMARQUE: En cas de déménagement, prendre les mesures de l'entrée de l'habitation, avant de déplacer le réfrigérateur, afin de déterminer s'il est nécessaire de démonter la porte du réfrigérateur et celle du congélateur. Si les portes doivent être retirées, voir les instructions ci-dessous.

OUTILS REQUIS Selon le modèle, les outils suivants pourraient être requis : Niveau à bulle, tournevis à lame plate, tournevis cruciforme no 2 d'un minimum de 4 po de long, clés hexagonales de 3/16 po, clé à douille hexagonale de 1/4 po, 3/8 po et 5/16 po, clés plates de 1/4 po et 5/16 po ou clés à molette, carré d'entraînement ou clé à douille hexagonale de 3/8 po, tournevis TORX T30.

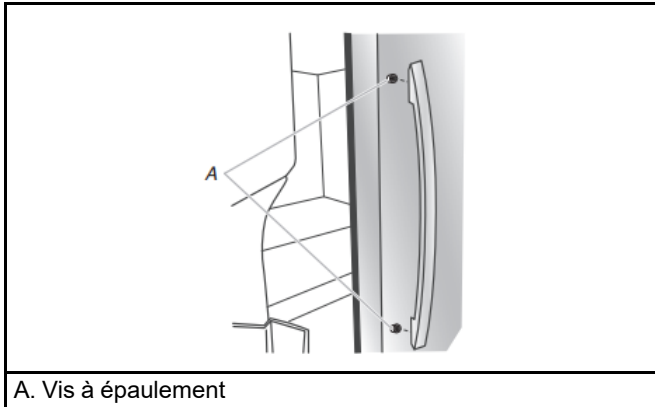
Installation et retrait des poignées de la porte

Poignées de porte du réfrigérateur (style 1)

PIÈCES COMPRISES : 2 poignées de porte.

Installation des poignées :

1. Retirer les poignées de l'emballage à l'intérieur du réfrigérateur.
REMARQUE: Afin d'éviter d'érafler le revêtement, placer les poignées sur une serviette ou une autre surface souple.
2. Ouvrir la porte du congélateur. Placer la poignée sur les vis à épaulement montées sur la porte du réfrigérateur.



3. Pousser fermement la poignée vers la porte jusqu'à ce que la base de la poignée soit en affleurement de la porte.
4. Tout en maintenant la poignée, pousser vers le bas jusqu'à ce que la poignée se dégage de la vis d'épaulement.
5. Ouvrir la porte du réfrigérateur et fermer la porte du congélateur. Répéter les étapes 2 à 4 pour installer l'autre poignée sur la porte du congélateur

Retrait des poignées :

1. Tout en maintenant la poignée, pousser vers le haut jusqu'à ce que la poignée se dégage de la vis d'épaulement.
2. Dégager la poignée de la porte en la tirant doucement.
3. Si nécessaire, retirer les vis à épaulement de la porte avec un tournevis cruciforme.

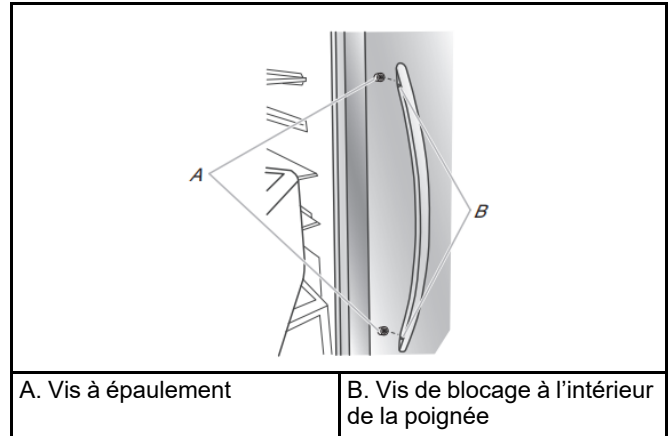
Poignées de porte du réfrigérateur (style 2)

PIÈCES COMPRISES : Poignées de porte (2), clé à tête hexagonale de 1/8 po, vis de blocage de rechange

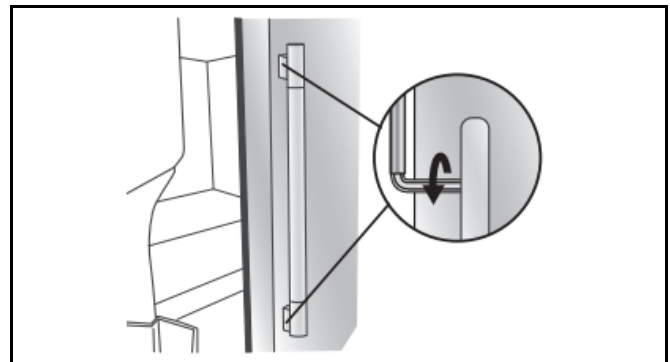
REMARQUE: Les vis de blocage sont préinstallées sur les poignées.

1. Retirer les poignées de l'emballage à l'intérieur du réfrigérateur.
REMARQUE: Afin d'éviter d'érafler le revêtement, placer les poignées sur une serviette ou une autre surface souple.

2. Ouvrir la porte du congélateur. Placer la poignée sur les vis à épaulement montées sur la porte du réfrigérateur en orientant les vis de blocage vers le congélateur.



3. Pousser fermement la poignée vers la porte jusqu'à ce que la base de la poignée soit en affleurement de la porte.
4. Tout en maintenant la poignée, introduire le côté court de la clé à tête hexagonale dans le trou supérieur, puis tourner légèrement la clé à tête hexagonale pour l'engager dans la vis de blocage.



5. Serrer la vis de blocage dans le sens horaire jusqu'à ce qu'elle commence à toucher la vis à épaulement.
6. Répéter les étapes 4 et 5 pour commencer à serrer la vis de blocage inférieure.
7. Une fois que les deux vis de blocage ont été partiellement serrées, comme décrit dans les étapes précédentes, resserrer complètement les vis de blocage inférieures et supérieures.
IMPORTANT: Lorsque les vis semblent serrées, les serrer d'un quart de tour supplémentaire. Sans ce serrage supplémentaire, la poignée ne sera pas correctement installée.
8. Ouvrir la porte du réfrigérateur et fermer la porte du congélateur. Répéter les étapes 2 à 7 pour installer l'autre poignée sur la porte du congélateur en orientant les vis de blocage vers le réfrigérateur.
9. Conserver la clé à tête hexagonale et toutes les instructions.

Retrait des poignées :

1. Tout en maintenant la poignée, introduire le côté court de la clé à tête hexagonale dans le trou supérieur, puis tourner légèrement la clé à tête hexagonale pour l'engager dans la vis de blocage.
2. Desserrer la vis de blocage dans le sens antihoraire en la tournant d'un quart de tour à la fois.
3. Répéter les étapes 1 et 2 pour la vis de blocage supérieure. Dégager la poignée de la porte en la tirant doucement.
4. Si nécessaire, retirer les vis à épaulement de la porte avec un tournevis cruciforme.

Démontage des portes et charnières

Si votre réfrigérateur ne passe pas par la porte de votre maison ou pour se débarrasser d'un vieux réfrigérateur, suivre les étapes suivantes pour retirer les portes.

⚠ AVERTISSEMENT

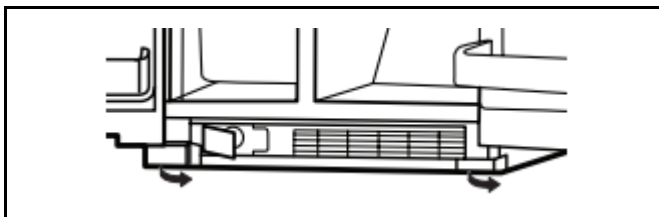


Risque de décharge électrique

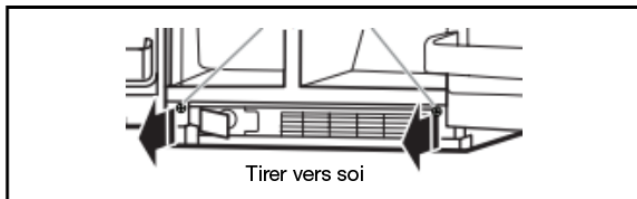
Déconnecter la source de courant électrique avant d'enlever les portes.

Le non-respect de cette instruction peut causer un décès ou une décharge électrique.

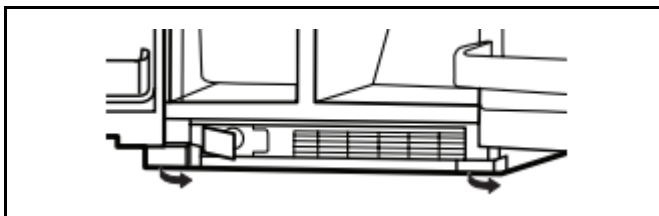
1. Débrancher le réfrigérateur ou déconnecter la source de courant électrique.
2. Ouvrir complètement les deux portes.
3. Si ce modèle d'appareil comporte un distributeur d'eau, ouvrir la porte du filtre à eau en la tirant vers soi comme illustré ci-dessous. Il n'est pas nécessaire de retirer le filtre à eau lui-même.



4. Tirer la grille de la base vers soi par les côtés, puis par le centre pour la dégager.



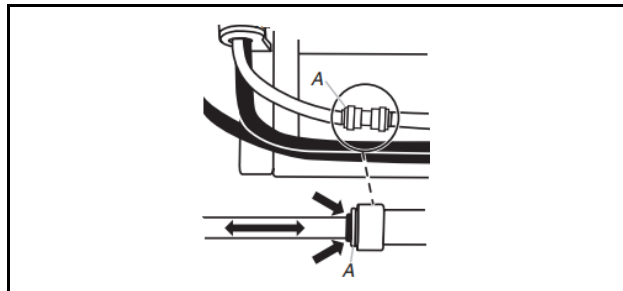
5. Pour retirer la grille de la base, faire pivoter le côté droit et le tirer jusqu'à ce que ce côté passe sous la porte du réfrigérateur. Puis tirer le côté gauche de la grille de la base pour la retirer complètement.



6. Si ce modèle d'appareil comporte un distributeur d'eau dans la porte, débrancher le tuyau du distributeur d'eau situé sous la porte du congélateur.

- Appuyer l'anneau externe bleu contre la partie avant du raccord et tirer pour libérer le tuyau du distributeur.

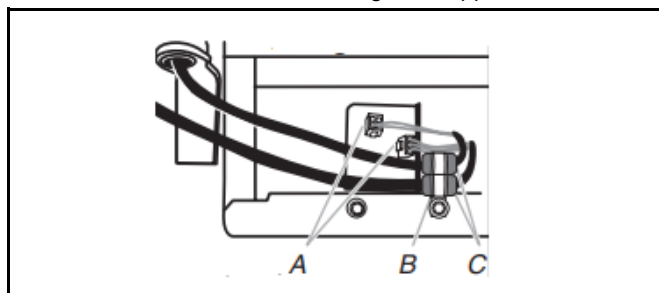
REMARQUE: Maintenir le connecteur du tuyau d'eau fixé au tuyau qui passe sous le congélateur. La porte ne peut être enlevée si le connecteur est toujours fixé au tuyau qui passe par la charnière de porte.



A. Avant du raccord

7. Si ce modèle d'appareil comporte un distributeur d'eau dans la porte, débrancher le câble situé sous la porte du congélateur comme illustré ci-dessous.

- Ôter l'agrafe de câblage et le support attache-fil avec une clé à douille à tête hexagonale de 1/4 po.
- Débrancher les fiches de câblage du support attache-fil.

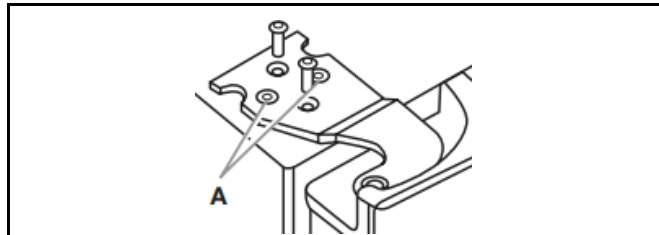


A. Fiches de câblage

C. Cœllets

B. Agrafe de câblage

8. Fermer la porte du congélateur et utiliser un tournevis TORX T30 pour retirer complètement la charnière supérieure, comme illustré ci-dessous.



A. Ne pas retirer les vis

IMPORTANT: Ne pas retirer les vis A. Tenir la porte pendant le retrait de la charnière.

9. Soulever verticalement la porte du congélateur pour l'enlever de la charnière inférieure comme illustré ci-dessous. Le tuyau et le câble du distributeur d'eau restent joints à la porte du congélateur.

⚠ AVERTISSEMENT

Risque de poids excessif

À l'aide de deux personnes ou plus, soulever et déplacer carton.

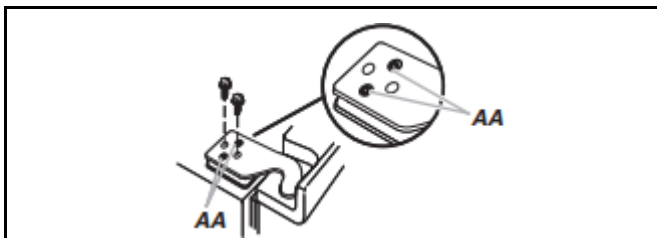
Le non-respect de cette instruction peut causer une blessure au dos ou d'autres blessures.



REMARQUE: Cette opération peut nécessiter la participation de deux personnes – l'une pour soulever la porte et l'autre pour faire passer le tuyau d'eau et le câble par l'axe de la charnière inférieure.

IMPORTANT: Faire reposer la porte sur le côté, sur une surface souple et propre comme une serviette, une couverture ou un morceau de carton. Ceci permettra d'éviter d'endommager la porte, le tuyau d'eau et le câble.

10. Fermer la porte du congélateur et utiliser un tournevis TORX T30 pour retirer complètement la charnière supérieure, comme illustré ci-dessous.



A. Ne pas retirer les vis.

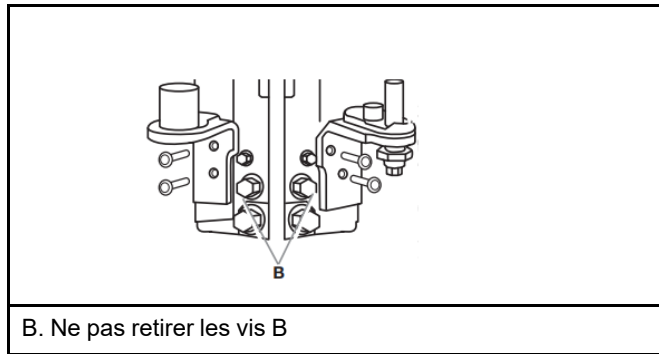
IMPORTANT: Ne pas retirer les vis A. Tenir la porte pendant le retrait de la charnière.

11. Soulever verticalement la porte du réfrigérateur pour l'enlever de la charnière inférieure comme illustré ci-dessous.



IMPORTANT: Faire reposer la porte sur le côté, sur une surface souple et propre comme une serviette, une couverture ou un morceau de carton. Ceci permettra d'éviter d'endommager la porte.

12. Retirer les deux charnières inférieures si le réfrigérateur sans portes ne passe pas dans l'entrée du domicile. Utiliser un chasse-écrou de 5/16 po pour les retirer comme illustré ci-dessous.



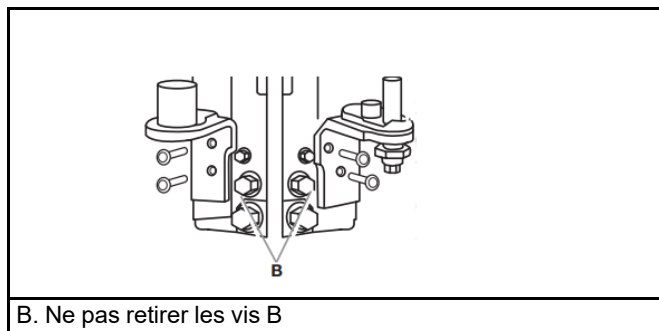
B. Ne pas retirer les vis B

IMPORTANT: Ne pas retirer les vis B.

Réinstallation des portes et charnières

Si les portes et charnières inférieures ont été retirées, suivre les instructions suivantes pour la réinstallation :

1. Réinstaller les deux charnières inférieures à l'aide d'un chasse-écrou de 5/16 po pour serrer les vis comme illustré ci-dessous.



B. Ne pas retirer les vis B

2. Si ce modèle d'appareil comporte un distributeur d'eau dans la porte :

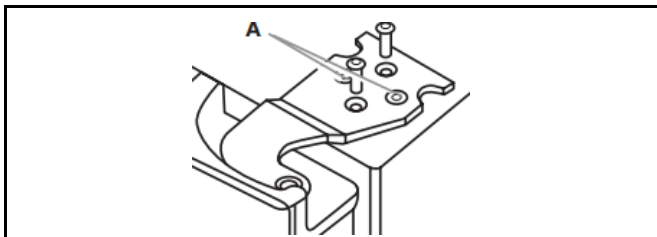
- Soulever suffisamment la porte du congélateur pour faire passer le tuyau d'eau du distributeur d'eau et le câble à travers l'axe de la charnière inférieure comme illustré ci-dessous.

REMARQUE: Cette opération peut nécessiter la participation de deux personnes – l'une pour soulever la porte et l'autre pour faire passer le tuyau d'eau et le câble par l'axe de la charnière inférieure.



IMPORTANT: Tenir la porte pendant l'installation de la charnière.

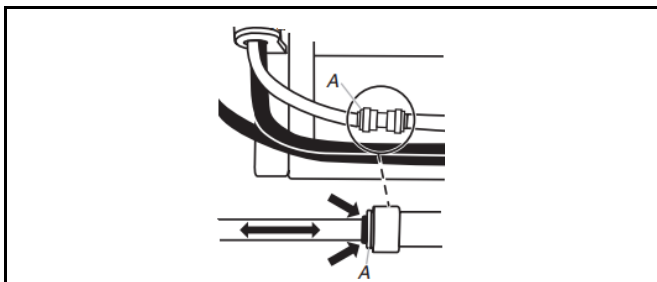
3. Fermer la porte du congélateur pour aligner et réinstaller la charnière supérieure. Utiliser un tournevis TORX T30 pour serrer les vis comme illustré ci-dessous.



A. Ne pas retirer les vis A

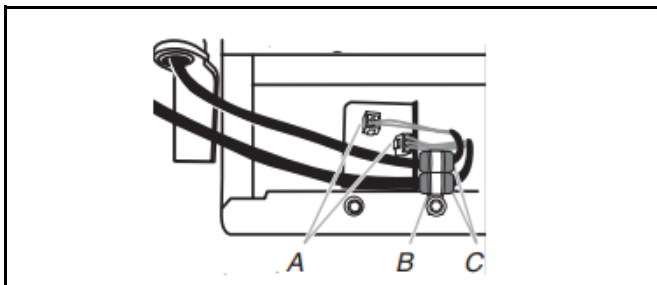
IMPORTANT: Installer un support supplémentaire pour la porte pendant la réinstallation de la charnière supérieure. La force d'attraction des aimants de la porte n'est pas suffisante pour la maintenir en place.

4. Si ce modèle d'appareil comporte un distributeur d'eau dans la porte, brancher le tuyau du distributeur d'eau. Pour le branchement, pousser le tuyau dans le raccord jusqu'à ce qu'il s'arrête et que le repère noir touche la partie avant du raccord comme illustré ci-dessous.



A. Avant du raccord

5. Brancher le câblage comme illustré ci-dessous.



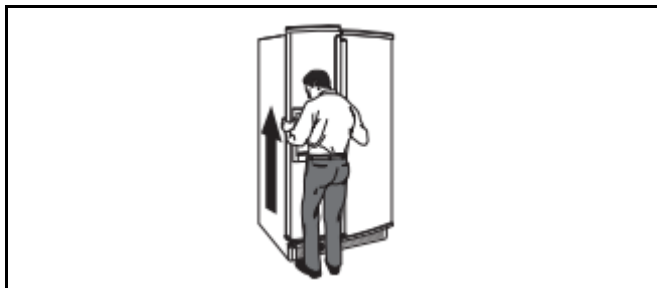
A. Fiches de câblage

C. Cœllets

B. Agrafe de câblage

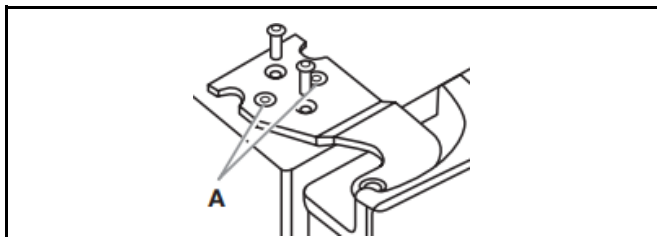
6. Réinstaller l'agrafe de câblage et le support attache-fil avec une clé à douille à tête hexagonale de 1/4 po.
7. Brancher les fiches de câblage du support attache-fil.

8. Soulever suffisamment la porte du réfrigérateur pour insérer la porte dans l'axe de charnière inférieure comme illustré ci-dessous.



IMPORTANT: Tenir la porte pendant l'installation de la charnière.

9. Fermer la porte du réfrigérateur pour aligner et réinstaller la charnière supérieure. Utiliser un tournevis TORX T30 pour serrer les vis comme illustré ci-dessous.



A. Ne pas retirer les vis A

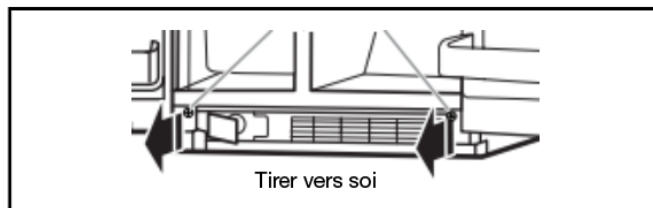
IMPORTANT: Installer un support supplémentaire pour la porte pendant la réinstallation de la charnière supérieure. La force d'attraction des aimants de la porte n'est pas suffisante pour la maintenir en place.

Fermeture et alignement des portes

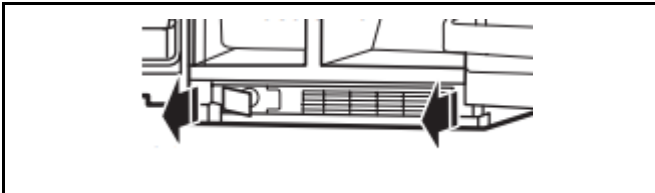
Le réfrigérateur est équipé de deux roulettes ajustables.

Elles servent à mettre à niveau le réfrigérateur lorsque le sol est inégal ou pour permettre de plus facilement fermer les portes. Suivre les instructions ci-dessous :

1. Utiliser un niveau à bulle pour vérifier l'aplomb du plancher où l'arrière du réfrigérateur sera placé. Si le réfrigérateur n'est pas de niveau, ajuster le plancher ou ajouter une cale pour créer un plancher d'aplomb pour les roulettes arrière. Une partie arrière d'aplomb empêche l'armoire du réfrigérateur de courber.
2. Placer le réfrigérateur à son emplacement définitif dans la cuisine et ouvrir les deux portes.
3. Ouvrir complètement les deux portes.
4. Si ce modèle d'appareil comporte un distributeur d'eau, ouvrir la porte du filtre à eau en la tirant vers soi comme illustré ci-dessous. Il n'est pas nécessaire de retirer le filtre à eau lui-même.
5. Tirer la grille de la base vers soi par les côtés, puis par le centre pour la dégager.



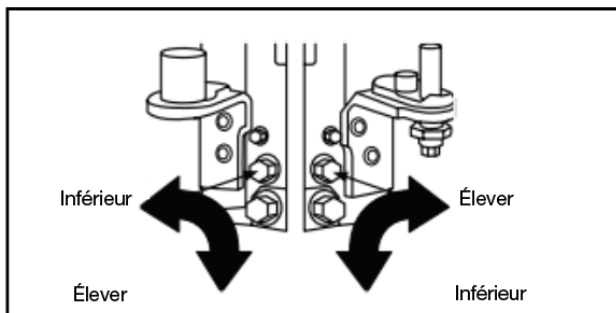
6. Pour retirer la grille de la base, faire pivoter le côté droit et le tirer jusqu'à ce que ce côté passe sous la porte du réfrigérateur. Puis tirer le côté gauche de la grille de la base pour la retirer complètement.



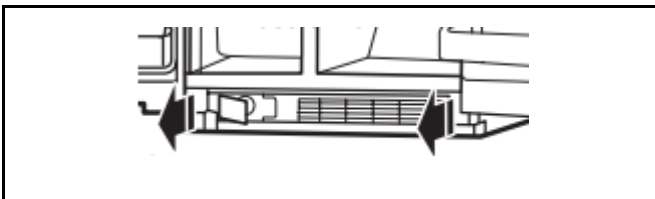
A. Tirer vers la droite pour l'extraire

B. Tourner et faire passer sous la porte

7. Soulever les roulettes pendant qu'une personne pousse le réfrigérateur pour soulever la partie avant. Utiliser le niveau à bulle sur le dessus ou à l'intérieur du réfrigérateur pour mettre l'appareil d'aplomb. Vérifier le niveau à bulle tout en surveillant les ouvertures entre l'appareil et les armoires, moulures ou meubles adjacents. Si les éléments adjacents à l'appareil ne sont pas de niveau, il pourrait être impossible d'obtenir des ouvertures de chaque côté égales (perpendiculaires) lorsque le réfrigérateur est d'aplomb. Continuer l'ajustement jusqu'à ce que les quatre coins soient fixes sans bercer.
8. Utiliser un chasse-écrou de 3/8 po pour faire tourner les vis de réglage de l'aplomb situées sur les deux côtés du réfrigérateur comme illustré ci-dessous. Si le sol est irrégulier, tourner une vis ou les deux vis vers la droite ou vers la gauche plusieurs fois pour relever ou abaisser le réfrigérateur.



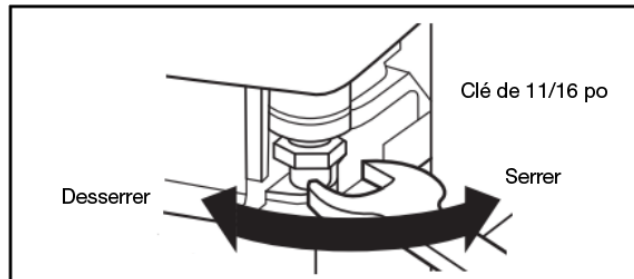
9. Fermer les deux portes et vérifier qu'elles ferment aussi facilement que souhaité. Sinon, tourner les deux vis vers la droite pour relever le réfrigérateur en l'inclinant un peu plus vers l'arrière jusqu'à ce que les portes ferment comme souhaité.
10. Vérifier que la fiche technique est à l'intérieur de la cavité de la grille de la base avant d'installer celle-ci sur la caisse du réfrigérateur.
11. Réinstaller la grille de la base dans la caisse du réfrigérateur, en introduisant d'abord le côté gauche puis le côté droit de la grille de la base comme illustré ci-dessous. Introduire le tuyau et le câble du distributeur d'eau dans la cavité de la grille de la base sous la charnière inférieure gauche.
12. Pousser la grille de la base pour la fixer à la caisse à l'aide des agrafes.



Alignement des portes

Les portes du réfrigérateur sont conçues pour être légèrement décalées verticalement lorsque le réfrigérateur est vide. Si les portes ne sont pas alignées correctement une fois que de la nourriture a été placée à l'intérieur, suivre les instructions suivantes :

1. Utiliser une clé à molette de 11/16 po pour desserrer l'écrou de blocage situé sous la porte du réfrigérateur comme illustré ci-dessous. Ajuster la clé pour pouvoir l'introduire dans l'espace.



2. Utiliser une clé à molette de 5/16 po pour tourner la vis d'alignement comme illustré ci-dessous. Selon la façon dont la porte du réfrigérateur est décalée par rapport à la porte du congélateur, tourner la vis vers la droite pour relever la porte du réfrigérateur ou vers la gauche pour l'abaisser jusqu'à ce que les deux portes soient alignées verticalement.
3. Serrer l'écrou de blocage de 11/16 po avec la clé.
4. Fixer la grille de la base si elle a été dégagée.

RETRAIT DE LA PORTE ET AJUSTEMENT DU NIVEAU, STYLE 2

Instructions pour la porte

Rassembler les outils et pièces nécessaires et lire toutes les instructions avant de commencer l'installation. Conserver ces instructions pour référence ultérieure.

⚠ AVERTISSEMENT



Risque de décharge électrique

Déconnecter la source de courant électrique avant d'enlever les portes.

Le non-respect de cette instruction peut causer un décès ou une décharge électrique.

REMARQUE: En cas de déménagement, prendre les mesures de l'entrée de l'habitation, avant de déplacer le réfrigérateur, afin de déterminer s'il est nécessaire de démonter la porte du réfrigérateur et celle du congélateur. Si les portes doivent être retirées, voir les instructions ci-dessous.

IMPORTANT: Avant de commencer, tourner la commande du réfrigérateur à Off (arrêt) ou désactiver le refroidissement. Débrancher le réfrigérateur ou déconnecter la source de courant électrique. Retirer les aliments, le bac d'entreposage des glaçons (sur certains modèles) et tout balconnet réglable ou compartiment utilitaire des portes.

OUTILS REQUIS Selon le modèle, les outils suivants pourraient être requis : Niveau à bulle, tournevis à lame plate, tournevis cruciforme no 2 d'un minimum de 4 po de long, clés hexagonales de 3/16 po, clé à douille hexagonale de 1/4 po, 3/8 po et 5/16 po, clés plates de 1/4 po et 5/16 po ou clés à molette, carré d'entraînement ou clé à douille hexagonale de 3/8 po, tournevis TORX T30.

Installation et retrait des poignées de la porte

PIÈCES COMPRISSES : 2 poignées de porte, une clé à tête hexagonale de 1/8 po et de 3/32 po (au besoin) et des vis de blocage de rechange.

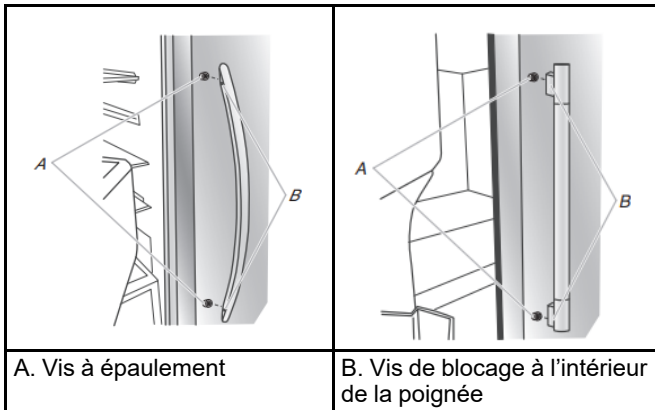
Installation des poignées :

REMARQUE: Les vis de blocage sont préinstallées sur les poignées.

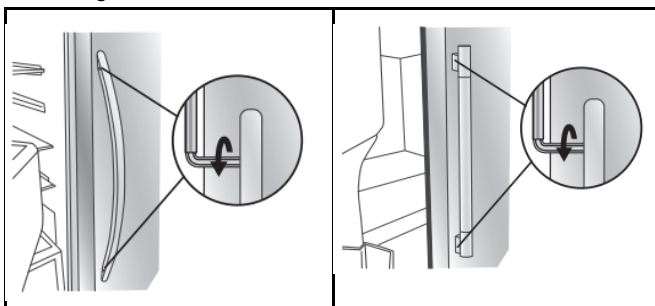
1. Retirer les poignées de l'emballage à l'intérieur du réfrigérateur.

REMARQUE: Afin d'éviter d'érafler le revêtement, placer les poignées sur une serviette ou une autre surface souple.

2. Ouvrir la porte du congélateur. Placer la poignée sur les vis à épaulement montées sur la porte du réfrigérateur en orientant les vis de blocage vers le congélateur.



3. Pousser fermement la poignée vers la porte jusqu'à ce que la base de la poignée soit en affleurement de la porte.
4. Tout en maintenant la poignée, introduire le côté court de la clé à tête hexagonale dans le trou supérieur, puis tourner légèrement la clé à tête hexagonale pour l'engager dans la vis de blocage.



5. Serrer la vis de blocage dans le sens horaire jusqu'à ce qu'elle commence à toucher la vis à épaulement.

6. Répéter les étapes 4 et 5 pour commencer à serrer la vis de blocage inférieure.
7. Une fois que les deux vis de blocage ont été partiellement serrées, comme décrit dans les étapes précédentes, resserrer complètement les vis de blocage inférieures et supérieures.

IMPORTANT: Lorsque les vis semblent serrées, les serrer d'un quart de tour supplémentaire. Sans ce serrage supplémentaire, la poignée ne sera pas correctement installée.

8. Ouvrir la porte du réfrigérateur et fermer la porte du congélateur. Répéter les étapes 2 à 7 pour installer l'autre poignée sur la porte du congélateur en orientant les vis de blocage vers le réfrigérateur.
9. Conserver la clé à tête hexagonale et toutes les instructions.

Retrait des poignées :

Style 1

1. Tout en maintenant la poignée, introduire le côté court de la clé à tête hexagonale dans le trou supérieur, puis tourner légèrement la clé à tête hexagonale pour l'engager dans la vis de blocage.
2. Desserrer la vis de blocage dans le sens antihoraire en la tournant d'un quart de tour à la fois.
3. Répéter les étapes 1 et 2 pour la vis de blocage supérieure. Dégager la poignée de la porte en la tirant doucement.
4. Si nécessaire, retirer les vis à épaulement de la porte avec un tournevis cruciforme.

Démontage des portes et charnières

⚠ AVERTISSEMENT

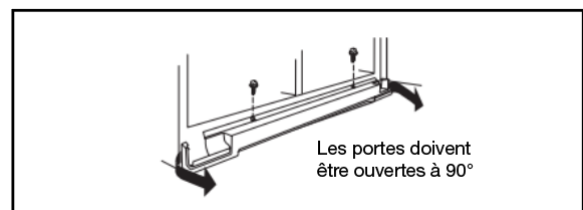


Risque de décharge électrique

Déconnecter la source de courant électrique avant d'enlever les portes.

Le non-respect de cette instruction peut causer un décès ou une décharge électrique.

1. Débrancher le réfrigérateur ou déconnecter la source de courant électrique.
2. Ouvrir les deux portes à 90°. Retirer la grille de la base en retirant les deux vis puis en tirant sur les angles extérieurs comme illustré ci-dessous.

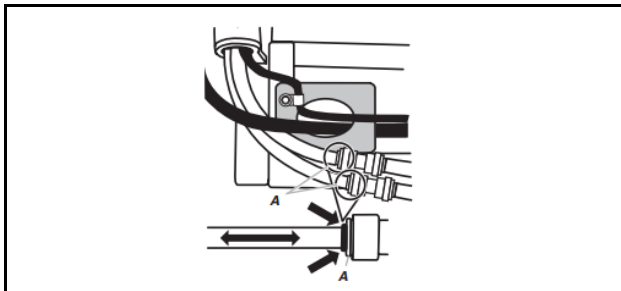


REMARQUE: Les portes ne doivent être ouvertes qu'à 90°. Si elles sont entièrement ouvertes, la grille de la base ne s'enlèvera pas.

3. Déconnecter le tuyau d'eau situé derrière la grille de la base du côté de la porte du congélateur. Le tube du distributeur passe à travers la charnière de porte et doit être débranché pour permettre le retrait de la porte.

REMARQUE: Pour les modèles dont le bac d'entreposage à glaçons est installé sur la porte, il y a deux raccords de tuyau d'eau, comme illustré. Sur les modèles dont le bac d'entreposage à glaçons est installé à l'intérieur du congélateur, il n'y a qu'un seul raccord de tuyau d'eau.

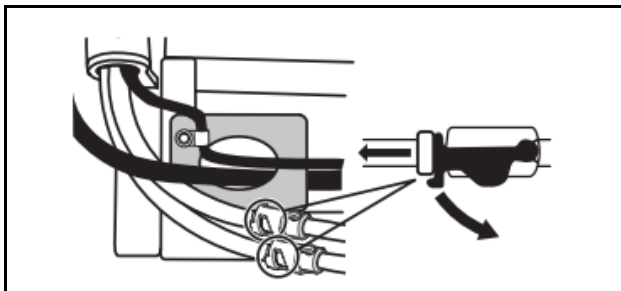
- **Raccord de tuyau d'eau (style 1) :** Presser l'anneau extérieur coloré contre l'avant du raccord et tirer doucement sur le tuyau du distributeur pour le libérer comme illustré ci-dessous.



A. Avant du raccord

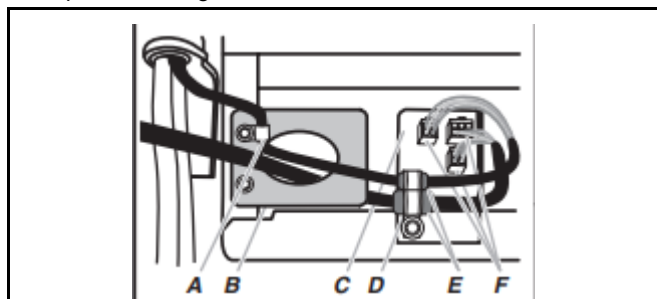
REMARQUE: Maintenir le connecteur du tuyau d'eau fixé au tuyau qui passe sous le congélateur. La porte ne peut être enlevée si le connecteur est toujours fixé au tuyau qui passe par la charnière de porte.

- **Raccord de tuyau d'eau (style 2) :** Tirer fermement sur l'attache pour libérer le tuyau d'eau puis le dégager, comme illustré ci-dessous.



REMARQUE: Laisser l'attache fixée au tuyau qui passe sous le congélateur.

4. Déconnecter le câble situé derrière la grille de la base du côté de la porte du congélateur comme illustré ci-dessous.



A. Collier en P

B. Plaque de mise à la terre

C. Boîtier de raccordements électriques

D. Agrafe de câblage

E. Cœillet

F. Fiche de câblage

Sur les modèles avec le bac d'entreposage installé sur la porte :

REMARQUE: Deux faisceaux de câblage sont acheminés sous le congélateur – un gros faisceau de câblage avec un gros œillet et deux fiches blanches au bout et un petit faisceau de câblage avec un petit œillet et une fiche jaune au bout.

- Retirer le collier en P avec une clé à douille à tête hexagonale de 1/4 po. Retirer le petit faisceau de câblage du collier en P.
- Ôter l'agrafe de câblage avec une clé à douille à tête hexagonale de 1/4 po.
- Tirer le boîtier de raccordements électriques pour le dégager de dessous le réfrigérateur. Débrancher les connecteurs du boîtier.
- Tirer avec précaution le gros faisceau de câblage (comportant les deux fiches blanches) jusqu'à la plaque de mise à la terre.

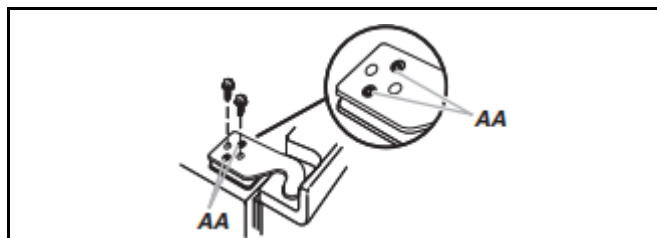
Sur les modèles avec le bac à glaçons installé dans le congélateur :

REMARQUE: La configuration du câblage est plus simple que celle figurant sur l'illustration ci-dessus. Il n'y a qu'un seul faisceau de câblage avec un connecteur, et il n'y a pas de plaque de mise à la terre.

- Ôter l'agrafe de câblage avec une clé à douille à tête hexagonale de 1/4 po.
- Tirer le boîtier de raccordements électriques pour le dégager de dessous le réfrigérateur. Débrancher les connecteurs du boîtier.

5. Fermer les deux portes et les garder fermées jusqu'à ce que vous soyez prêt à les soulever pour les dégager de la caisse.
6. Selon le modèle, utiliser une clé hexagonale de 3/16 po ou un tournevis TORX T30 pour retirer les vis de la charnière supérieure gauche comme illustré ci-dessous.

IMPORTANT: Ne pas retirer les vis A. Tenir la porte pendant le retrait de la charnière.



A. Ne pas retirer ces vis.

⚠ AVERTISSEMENT

Risque de poids excessif

À l'aide de deux personnes ou plus, soulever et déplacer carton.

Le non-respect de cette instruction peut causer une blessure au dos ou d'autres blessures.

7. Soulever verticalement la porte du congélateur pour la dégager de la charnière inférieure. Le conduit d'eau et le câble restent joints à la porte du congélateur et passent à travers la charnière inférieure gauche.

REMARQUE: Cette opération peut nécessiter la participation de deux personnes – l'une pour soulever la porte et l'autre pour faire passer le tuyau d'eau et le câble par l'axe de la charnière inférieure.



Sur les modèles avec le bac d'entreposage installé sur la porte :

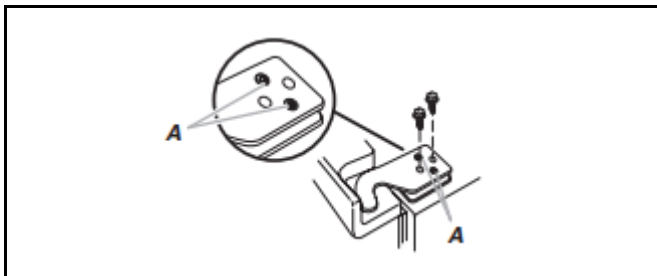
- S'assurer que le trou de la charnière est libre de toute obstruction puis tirer avec douceur le tuyau d'eau à travers la charnière. (Éviter de déformer le tuyau.) Ensuite, tirer doucement l'autre tuyau d'eau à travers la charnière, en évitant toujours toute déformation. Enfin, tirer doucement le faisceau de câblage (y compris l'œillet et les connexions) à travers la charnière.

Sur les modèles avec le bac à glaçons installé dans le congélateur :

- S'assurer que le trou dans la charnière est dégagé de toute obstruction, puis tirer avec précaution le tuyau d'eau à travers la charnière. (Éviter de déformer le tuyau.) Ensuite, tirer avec précaution le faisceau de câblage (y compris l'œillet et le connecteur) à travers la charnière.

IMPORTANT: Faire reposer la porte sur le côté, sur une surface souple et propre comme une serviette, une couverture ou un morceau de carton. Ceci permettra d'éviter d'endommager la porte, le tuyau d'eau et le câble.

8. Utiliser une clé hexagonale de 3/16 po pour enlever les vis de la charnière supérieure droite, comme illustré ci-dessous.



A. Ne pas retirer les vis

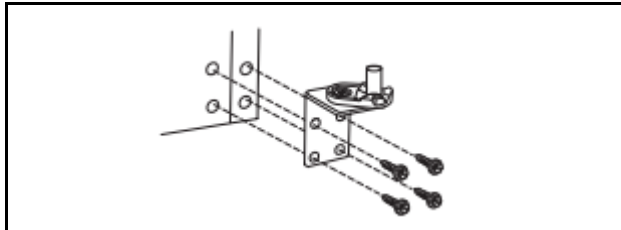
IMPORTANT: Ne pas retirer l'une des vis A.

9. Soulever verticalement la porte du réfrigérateur pour la dégager de la charnière inférieure.

IMPORTANT: Faire reposer la porte sur le côté, sur une surface souple et propre comme une serviette, une couverture ou un morceau de carton. Ceci permettra d'éviter d'endommager la porte.

10. Il peut ne pas être nécessaire d'enlever les charnières inférieures pour faire passer le réfrigérateur dans un cadre de porte. Les deux charnières inférieures ont une construction similaire.

- Au besoin, utiliser un carré d'entraînement ou une clé à douille à tête hexagonale de 3/8 po pour enlever les charnières du bas comme illustré ci-dessous.

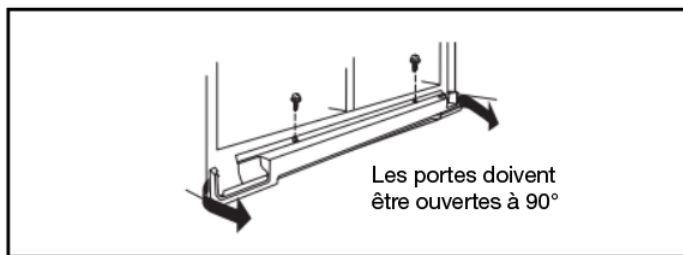


IMPORTANT: Les supports de vérin sont montés derrière les charnières. Si on retire les charnières, s'assurer que les supports de vérin sont réinstallés lorsqu'on remet les charnières en place.

Fermeture, mise à niveau et alignement des portes

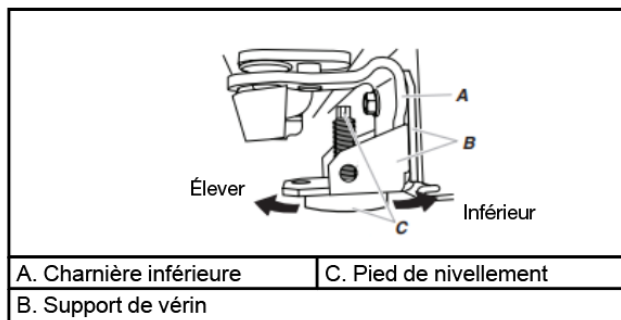
Votre réfrigérateur comporte deux roulettes ajustables à l'avant, l'une à droite et l'autre à gauche. Dans la plupart des cas, le réfrigérateur devrait être stable lorsque les deux pieds touchent le plancher. Si votre réfrigérateur semble instable ou si vous désirez que les portes se ferment plus facilement, ajustez l'inclinaison du réfrigérateur en observant les instructions ci-dessous :

1. Utiliser un niveau à bulle pour vérifier l'aplomb du plancher où l'arrière du réfrigérateur sera placé. Si le réfrigérateur n'est pas de niveau, ajuster le plancher ou ajouter une cale pour créer un plancher d'aplomb pour les roulettes arrière. Une partie arrière d'aplomb empêche l'armoire du réfrigérateur de courber.
2. Déplacer le réfrigérateur à sa position finale. Au besoin, ouvrir les deux portes à 90° et retirer la grille de la base comme illustré ci-dessous.



Les portes doivent être ouvertes à 90°

- Les deux pieds de nivellement sont situés sur les supports de chaque côté du produit comme illustré ci-dessous.



REMARQUE: Le fait d'exercer une pression contre le dessus du réfrigérateur permet d'alléger le poids appliqué aux vis de nivellement. Ceci facilite les ajustements.

- Utiliser une clé plate ou une clé à molette de 1/4 po pour ajuster les pieds de nivellement. Tourner le pied de nivellement vers la gauche pour soulever ce côté du produit ou vers la droite pour abaisser ce côté. Soulever les roulettes pendant qu'une personne pousse le réfrigérateur pour soulever la partie avant. Utiliser le niveau à bulle sur le dessus ou à l'intérieur du réfrigérateur pour mettre l'appareil d'aplomb. Vérifier le niveau à bulle tout en surveillant les ouvertures entre l'appareil et les armoires, moulures ou meubles adjacents. Si les éléments adjacents à l'appareil ne sont pas de niveau, il pourrait être impossible d'obtenir des ouvertures de chaque côté égales (perpendiculaires) lorsque le réfrigérateur est d'aplomb.

REMARQUE: Les deux pieds de nivellement doivent être bien en contact avec le sol et les roulettes ne doivent pas toucher le sol. Cet arrangement vise à empêcher le réfrigérateur de rouler vers l'avant à l'ouverture des portes. Continuer l'ajustement jusqu'à ce que les quatre coins soient fixes sans bercer.

- Ouvrir à nouveau les deux portes et vérifier qu'elles ferment aussi facilement que souhaité. Si ce n'est pas le cas, incliner le réfrigérateur un peu plus vers l'arrière en tournant les pieds de nivellement vers la gauche. Plusieurs tours peuvent être nécessaires et il convient de tourner les deux pieds de nivellement de façon égale.

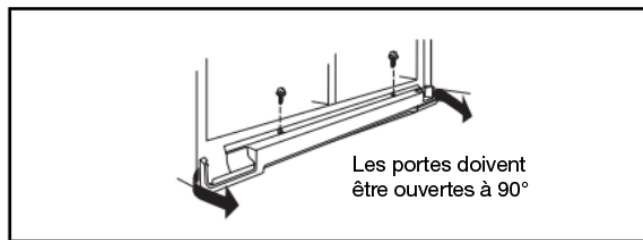
REMARQUE: Chaque fois qu'on déplace le réfrigérateur, tourner les pieds de nivellement vers la droite jusqu'à ce qu'ils ne soient plus en contact avec le sol. Ceci permet au réfrigérateur de rouler plus facilement.

Alignement des portes

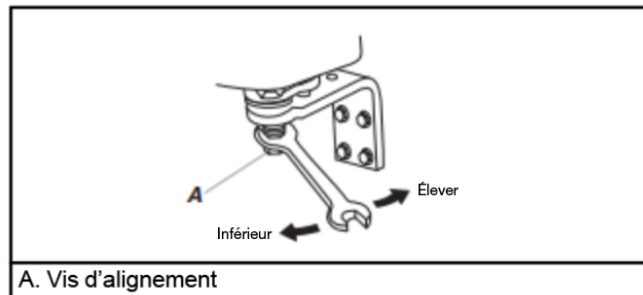
Lorsqu'un réfrigérateur n'est pas d'aplomb transversalement, on peut avoir l'impression que ses portes ne sont pas bien alignées. Si l'utilisateur a cette impression, utiliser les instructions de la section précédente pour contrôler l'aplomb.

Les portes sont conçues pour avoir des hauteurs légèrement différentes lorsque le réfrigérateur est vide, afin de prendre en compte le poids des aliments qui seront placés dans les portes. Si les portes ne sont toujours pas alignées après avoir contrôlé l'aplomb et rempli le réfrigérateur d'aliments, suivre les étapes ci-dessous pour ajuster l'alignement des portes.

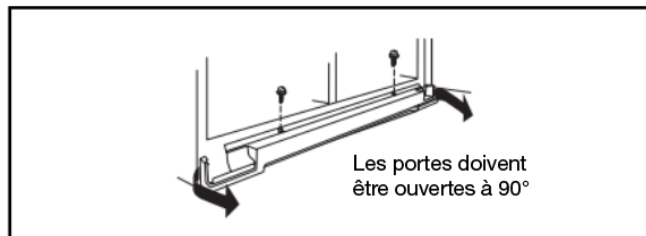
- Au besoin, ouvrir les deux portes à 90° et retirer la grille de la base.



- Localiser la vis d'alignement sur la charnière inférieure de la porte du réfrigérateur.



- Utiliser une clé plate ou une clé à molette de 5/16 po pour tourner la vis. Pour augmenter la hauteur de la porte du réfrigérateur, tourner la vis vers la droite. Pour diminuer la hauteur de la porte, tourner la vis vers la gauche.
- Vérifier que les portes sont alignées au sommet. Si nécessaire, continuer à tourner la vis d'alignement jusqu'à ce que les portes soient alignées.
- Ouvrir les deux portes à 90°. Réinstaller la grille de la base.



FICHE DE DONNÉES RELATIVES AU RENDEMENT

Système de filtration de l'eau

Modèles P9WB2L, P9RFB2L et EDR2RXD1 Capacité 200 gallons (757 litres)



Système testé et homologué par NSF International en vertu des normes NSF/ANSI 42, 53 et 401, ainsi que CSA B483.1 pour la réduction de contaminants spécifiés sur la fiche de données de performance.

Ce système a été testé selon les normes NSF/ANSI 42, 53, 401 et CSA B483.1 pour la réduction des substances énumérées ci-dessous. La concentration des substances indiquées dans l'eau entrant dans le système a été réduite à une concentration inférieure ou égale à la limite permise pour l'eau qui quitte le système, comme spécifié par les normes ANSI/NSF 42, 53 et 401, ainsi que CSA B483.1.

Réduction concentration produits de désinfection	Concentration dans l'eau à traiter	Limite permise de concentration du produit dans l'eau	Réduction de concentration % moy.
Goût/odeur de chlore Particules Classe I*	2,0 mg/L ± 10 % Au moins 10 000 particules/mL	50 % de réduction 85 % de réduction	97,2 % 99,5 %

Réduction des contaminants	Concentration dans l'eau à traiter	Limite permise de concentration du produit dans l'eau	Réduction de concentration % moy.
Plomb*** : à pH 6,5/à pH 8,5	0,15 mg/L ± 10 %	0,010 mg/L	99,3 %/98,6 %
Benzène	0,015 mg/L ± 10 %	0,005 mg/L	96,0%
P-dichlorobenzène	1,8 mg/L ± 10 %	0,60 mg/L	> 99,9 %
Éthylbenzène	2,1 mg/L ± 10 %	0,70 mg/L	99,4 %
1,2,4 – Trichlorobenzène	0,210 mg/L ± 10 %	0,07 mg/L	> 99,8 %
2,4 – D	0,210 mg/L ± 10 %	0,07 mg/L	93,8 %
Styrène	2,0 mg/L ± 10 %	0,07 mg/L	99,8 %
Toluène	3,0 mg/L ± 10 %	1,0 mg/L	87,9 %
Endrin	0,006 mg/L ± 10 %	0,002 mg/L	> 96,6 %
Aténolol	200 ± 20 %	30 ng/L	> 95,9 %
Triméthoprim	140 ± 20 %	20 ng/L	> 96,9 %
Linuron	140 ± 20 %	20 ng/L	> 96,4 %
Estrone	140 ± 20 %	20 ng/L	> 97,0 %
Nonylphénol	1400 ± 20 %	200 ng/L	> 97,4 %
Carbamazépine	1400 ± 20 %	200 ng/L	97,9 %
Phénytoïne	200 ± 20 %	30 ng/L	93,8 %
Naproxène	140 ± 20 %	20 ng/L	96,1 %
Bisphénol A	2000 ± 20 %	300 ng/L	> 99,2 %

Paramètres de tests : pH = 7,5 ± 0,5 à moins d'indications contraires. Débit = 0,6 gpm (2,27 Lpm). Pression = 60 lb/po² (413,7 kPa). Température = 68 °F à 71,6 °F (20 °C à 22 °C). Capacité de service nominale = 200 gallons (757 litres).

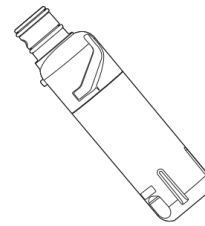
Les composés certifiés en vertu de la norme NSF 401 sont considérés comme appartenant à la catégorie des « composés émergents/contaminants secondaires ». Les composés émergents/contaminants secondaires sont des composés qui ont été détectés à de faibles concentrations dans des sources d'approvisionnement en eau potable. Même s'ils n'apparaissent qu'à de faibles concentrations, ces composés peuvent influencer la perception et le niveau d'acceptation de la qualité de l'eau de consommation par le public.

- Il est essentiel que les exigences de fonctionnement, d'entretien et de remplacement de filtre soient respectées pour que ce produit donne le rendement annoncé. Des dommages à la propriété peuvent se produire lorsque les instructions ne sont pas toutes respectées.
- La cartouche jetable doit être changée au moins tous les 6 mois.
- Utiliser le filtre de remplacement P9RFWB2L, numéro de pièce EDR2RXD1/EDR2RXD1B. Prix suggéré au détail en 2015 de 49,99 \$ US/49,99 \$ CAN. Les prix sont indiqués sous réserve de modification
- Le système de contrôle du filtre mesure la quantité d'eau qui passe par le filtre et indique quand remplacer le filtre.
Consulter les sections « Utilisation des commandes » ou « Système de filtration de l'eau » pour savoir comment vérifier l'état du filtre à eau.
- Après avoir remplacé le filtre à eau, purger le système d'eau. Voir les sections « Distributeur d'eau et de glaçons » ou « Distributeur d'eau ».
- Ces contaminants ne sont pas nécessairement présents dans l'approvisionnement d'eau. Même si le test a été effectué dans des conditions de laboratoires standard, le rendement réel peut varier.
- Le produit doit être utilisé pour l'eau froide seulement.
- Le circuit d'eau doit être installé conformément aux lois et règlements locaux et à ceux de l'État concerné.
- Ne pas utiliser ce produit pour filtrer une eau microbiologiquement polluée ou de qualité inconnue en l'absence d'un dispositif de désinfection adéquat en amont ou en aval du système. Les systèmes certifiés pour la réduction des kystes peuvent être utilisés pour une eau désinfectée susceptible de contenir des kystes filtrables. Étab. EPA no 082047-TWN-001.
- Consulter la « Garantie » pour obtenir le nom et le numéro de téléphone du fabricant, ainsi que les renseignements sur la garantie limitée.

Directives d'application/paramètres d'approvisionnement en eau

Source d'eau	Puits ou collectivité
Pression d'eau	207 à 827 kPa (30 à 120 lb/po2)
Température de l'eau	33 °F à 100 °F (0,6 °C à 37,8 °C)
Débit nominal	0,6 gpm (2,27 L/min) à 60 lb/po2. (413,7 kPa)

- Le système de filtration d'eau peut prendre en charge une pression d'eau pouvant atteindre 120 livres par pouce carré (lb/po2). Si l'alimentation en eau est supérieure à 80 lb/po2, installer un détendeur avant d'installer le système de filtration d'eau.



*Classe I – taille des particules : >0,5 à 1 um

†Sur la base de la filtration de kystes de *Cryptosporidium parvum*

†† Filtres de longueur supérieure à 10 um

©NSF est une marque déposée de NSF International.