



atlanticfurniture.com

SHAKER SIDE TABLE

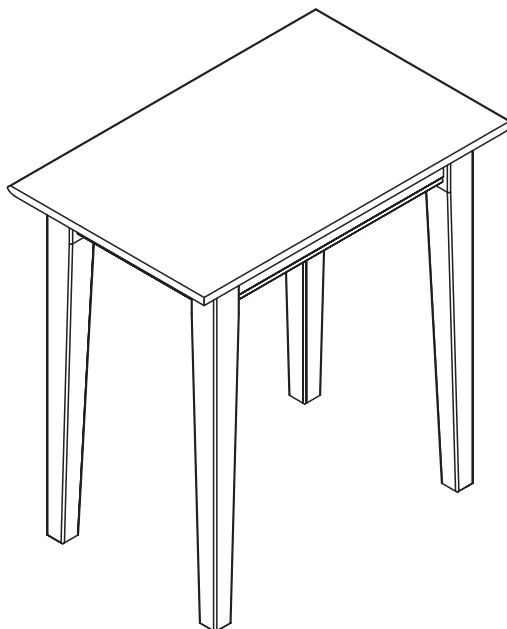
ATLANTIC

ASSEMBLY INSTRUCTIONS

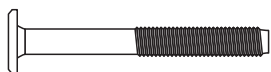
Before assembling your Side Table, please read through these instructions carefully. Familiarize yourself with the different parts.



ATTENTION! If you receive a damaged or defective item, please contact Atlantic Furniture at service@atlanticfurniture.com 1-800-955-3726 / M-F 9:00-5:00 EST



NOTE: WE INCLUDE SPARE HARDWARE IN CASE THE JCB IS DAMAGED DURING ASSEMBLY.



A JCB M8 X 45mm - 4 pcs
Spare - 1 pc

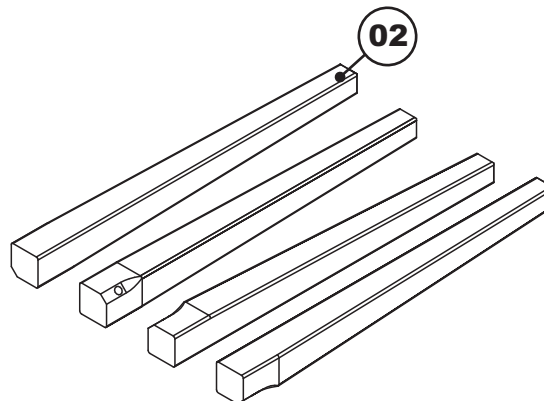
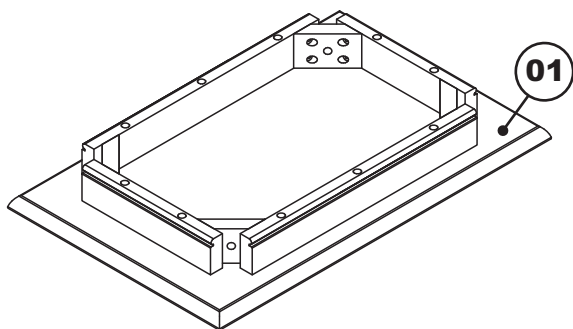
B Flat Washer - 4 pcs

C Allen wrench - 1 pc

PARTS LIST

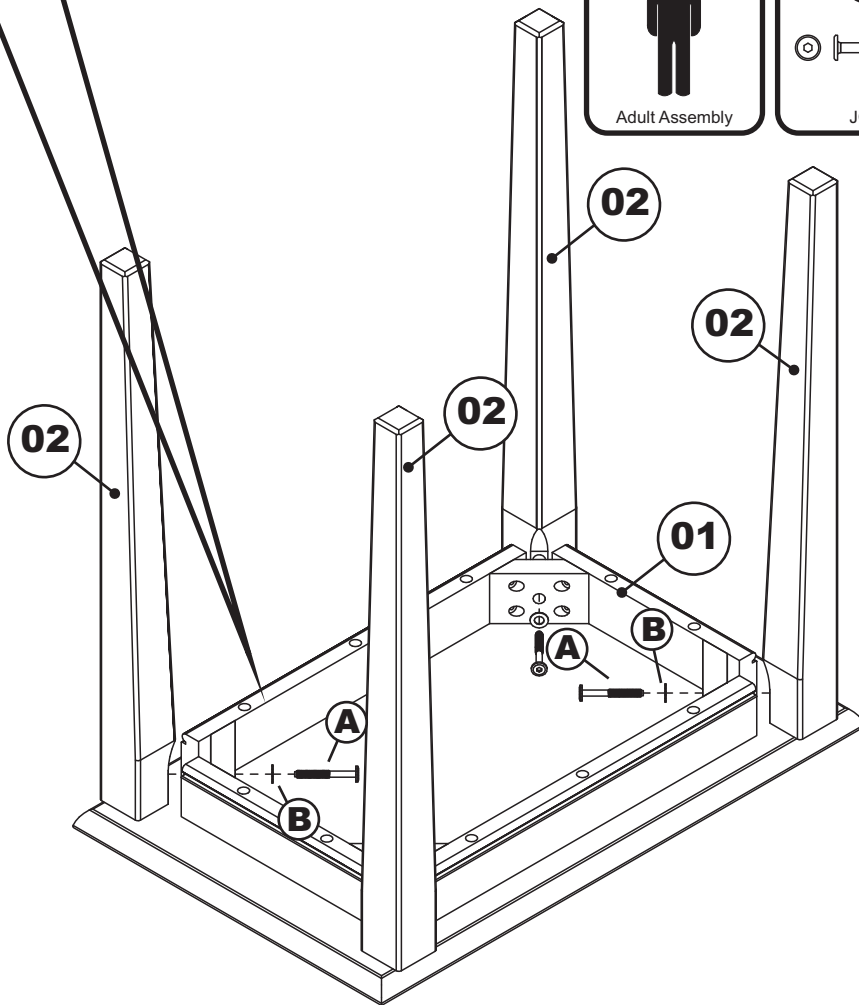
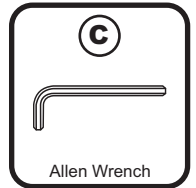
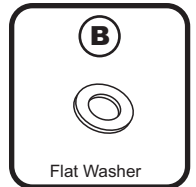
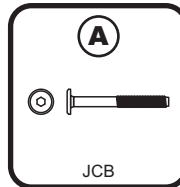
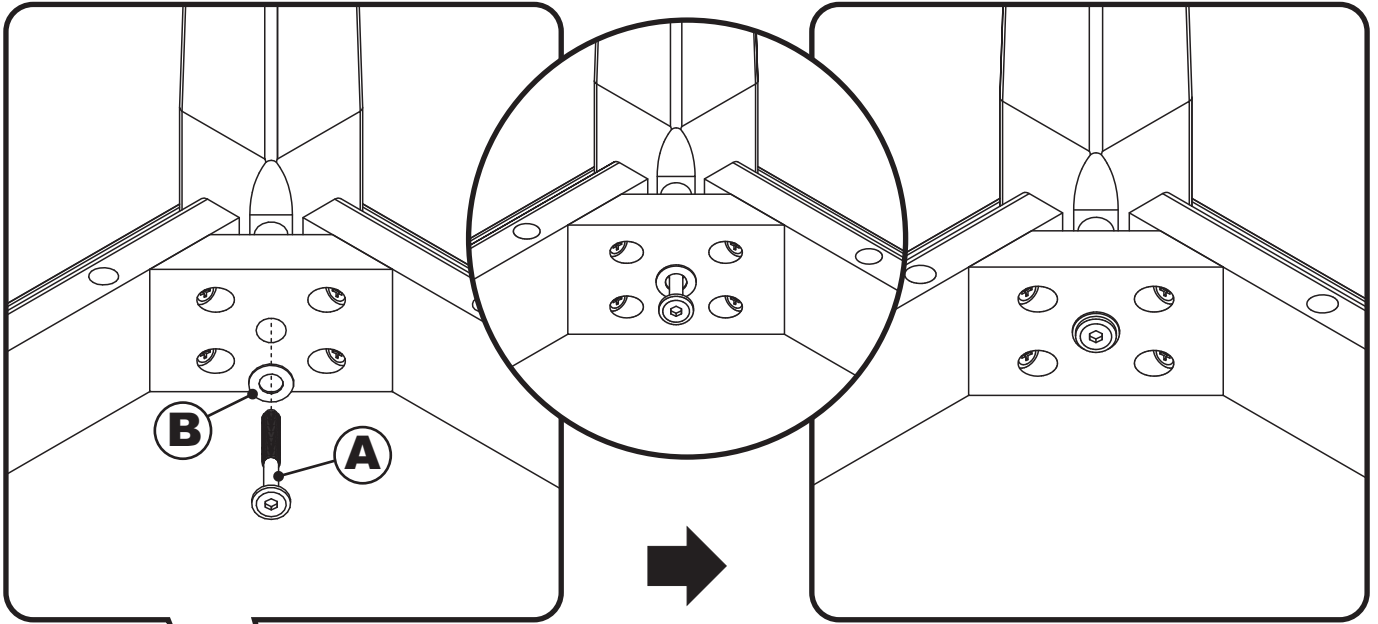
01 TOP PANEL 1 PC

02 LEG 4 PCS



STEP 1

Attach the legs (02) to the top panel (01) as shown below using flat washers (B) and JCB (A), tighten with Allen wrench (C).



Congratulations !

Your Side Table is now ready for use.

We recommend that you periodically check that all screws are tight and all parts are secure to ensure lasting safety.