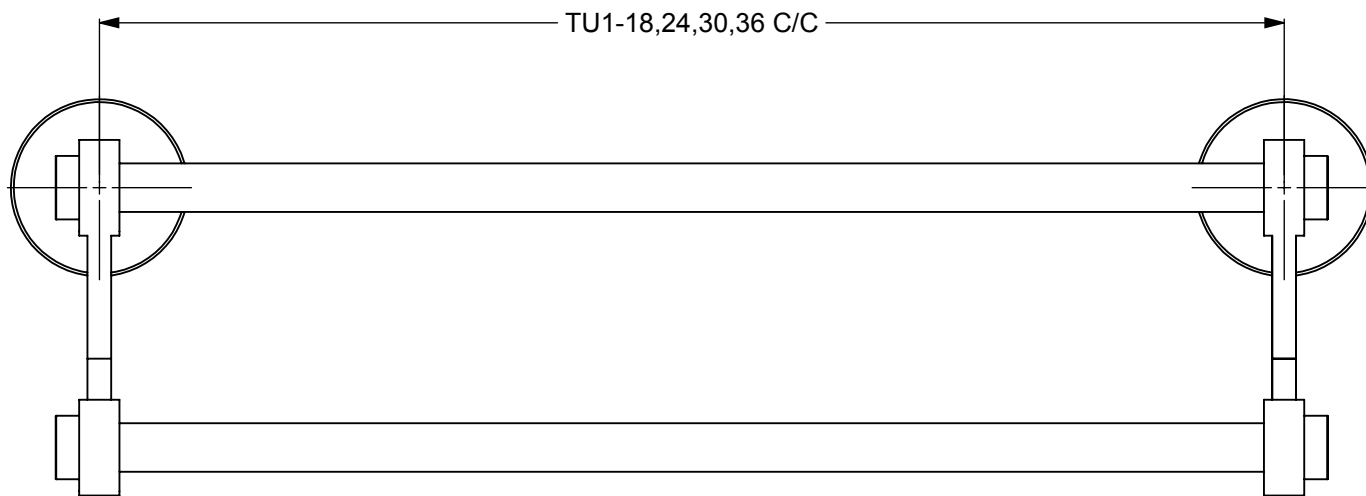
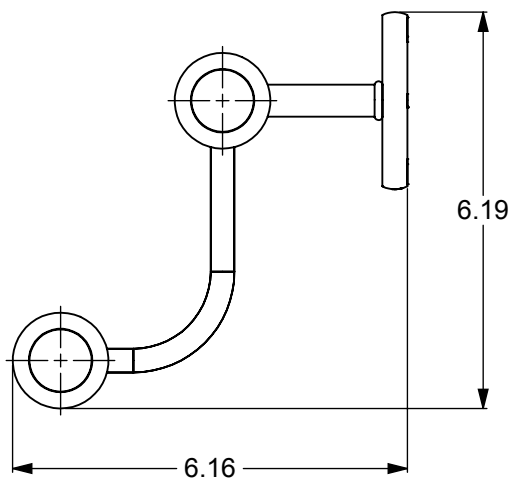
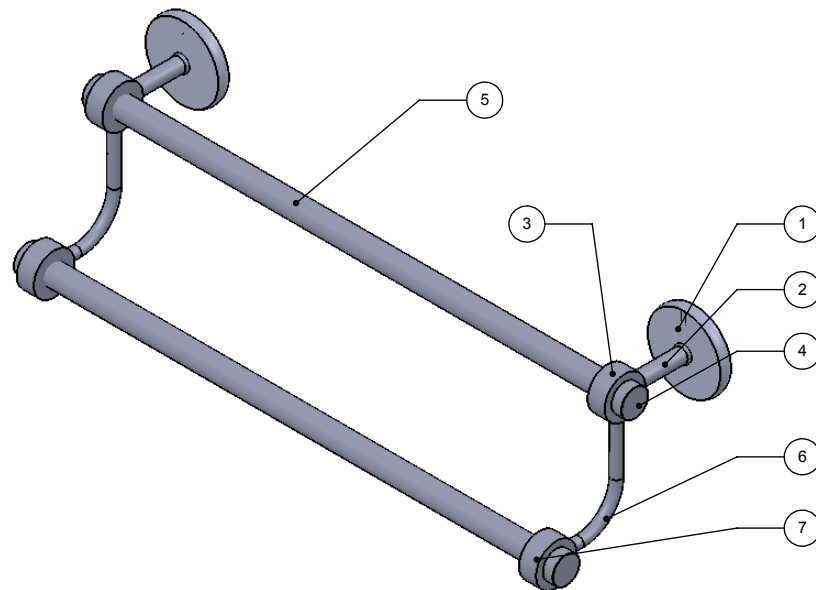


1	BPRD	BASE	2
2	TU12-.75	TUBE	2
3	RGSMD	CONNECTOR	2
4	Card-1	END LOCK	4
5	TU1-18,24,30,36	TUBE	2
6	HKT	TUBE PIPE	2
7	RGSMT	CONNECTOR-BOT	2

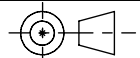


NOTE:
1. UNIT IS IN INCHES

UNLESS OTHERWISE STATED

.X	±.3mm
.XX	±.15mm
.XXX	±.008mm

COPYRIGHT © Allied Brass 2016



THIRD ANGLE PROJECTION

DRAWN	12-29-16	I.M
CHECKED	12-29-16	P.D
APPROVED	12-29-16	R.A

MATERIAL:	BRASS
DESCRIPTION:	TOWEL BAR

FINISH	TBD
QUANTITY	TBD
DRAWING No.	7272
SCALE	1:3
SHEET: 01	A4