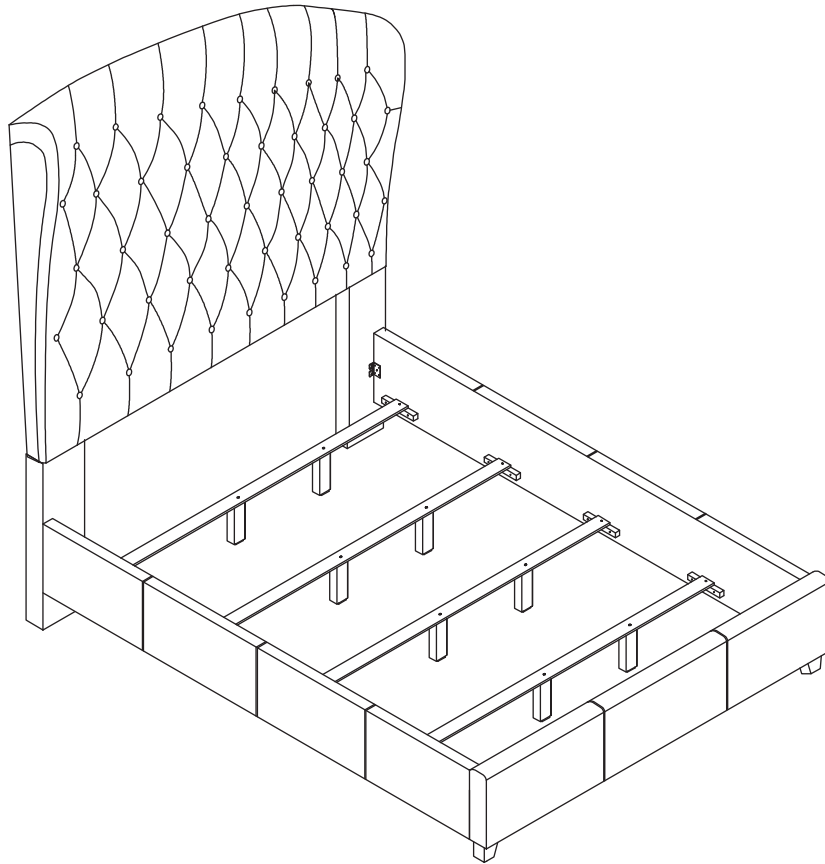


HOME DECORATORS COLLECTION

Model #2435-650 Item #1004071449
Model #2435-651 Item #1004072161
Model #2435-652 Item #1004072235
Model #2435-660 Item #1004071433
Model #2435-661 Item #1004072153
Model #2435-662 Item #1004072223

USE AND CARE GUIDE

SADIE KING UPHOLSTERED BED



Questions, problems, missing parts? Before returning to the store,
call Home Decorators Collection Customer Service
8 a.m. – 7 p.m., EST, Monday – Friday, 9 a.m. – 6 p.m., EST, Saturday

1-800-998-7021

[HOMEDEPOT.COM/HOMEDECORATORS](https://www.homedepot.com/homedecorators)

THANK YOU

We appreciate the trust and confidence you have placed in Home Decorators Collection through the purchase of this Sadie King Upholstered Bed. We strive to continually create quality products designed to enhance your home. Visit us online to see our full line of products available for your home improvement needs. Thank you for choosing Home Decorators Collection!

Table of Contents

Table of Contents	2	Assembly – 1	5
Safety Information	2	Assembly – 2	6
Warranty	2	Assembly – 3	7
What is Covered.....	2	Maintenance	8
What is Not Covered.....	2	Care and Cleaning	8
Pre-Assembly	3		
Tools required.....	3		
Planning Assembly.....	3		
Hardware Included	3		
Package Contents.....	4		

Safety Information

DANGER

1. To avoid danger of suffocation , keep the small part/bolts away from babies and children.
2. Make sure all bolts are tightly fastened before the product is used.
3. Please read the assembly instructions carefully prior to assembling the product.

WARNING

1. Should this products become damaged, and/or components are broken or missing, DO NOT USE.
2. To avoid damaged, assemble the product on a non-abrasive surface such as carpet.
3. Please make sure you have all parts before beginning assembly.
4. Do not throw away any packaging material until assembly is completed.

CAUTION

1. Adult assembly required. Assembly may require two people.
2. Please wait until all steps are completed before tightening bolt.
3. Use the long end of the allen wrench to fasten allen bolts loosely and quickly.
4. Use the short end of the allen wrench for final tightening.
5. Do not tighten bolts completely until all bolts are completely lined up and inserted into holes / nuts.

Warranty

3 YEAR WARRANTY

WHAT IS COVERED

We warrant the bed to be free of manufacturing defects to the original purchaser for three year.

WHAT IS NOT COVERED

It remains the customer's responsibility for freight and packaging charges to and from our service center. This warranty does not cover commercial use, hardware, acts of nature, fire, freezing and abusive use. In addition, purchased parts are not covered under this warranty. We reserve the right to make substitutions with similar merchandise, if the model in question is no longer in production.

Contact the Customer Service Team at 1-800-998-7021 or visit www.HomeDepot.com/HomeDecorators.

Pre-Assembly

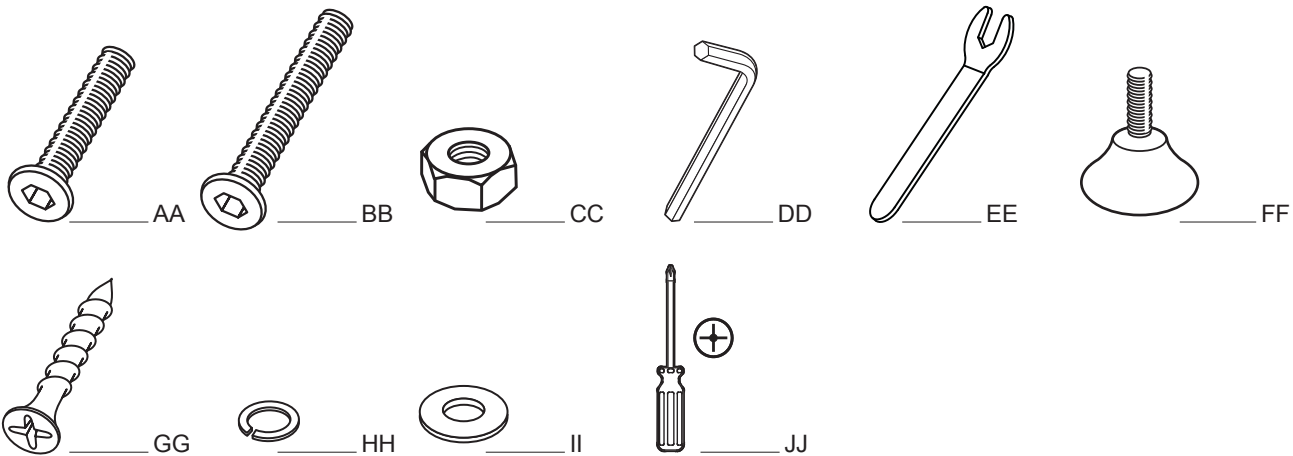
PLANNING ASSEMBLY

Keep children and pets away from build area, make sure your area is large enough to unpack, sort and assemble the unit.

HARDWARE INCLUDED



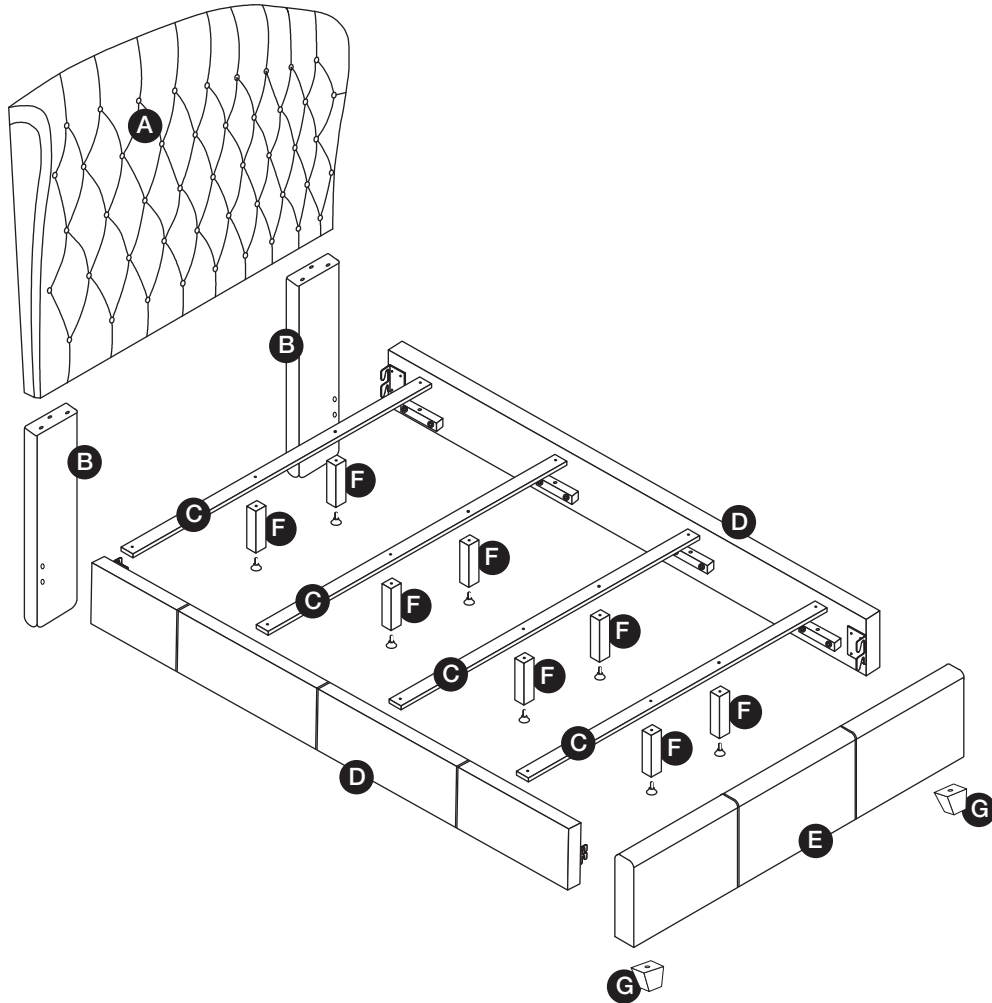
NOTE: Hardware not shown to actual size.



Part	Hardware	Quantity
AA	M8*40mm Bolts	12
BB	M8*50mm Bolts	12
CC	M8 Nuts	4
DD	Ø5 Allen Wrench	1
EE	14# Open Wrench	1
FF	Adjustable Feet	8
GG	4*30 Screws	8
HH	Ø8 Spring Washers	16
II	Ø8 Flat Washers	20
JJ	Phillips Head Screwdriver	1

Pre-Assembly (continued)

PACKAGE CONTENTS

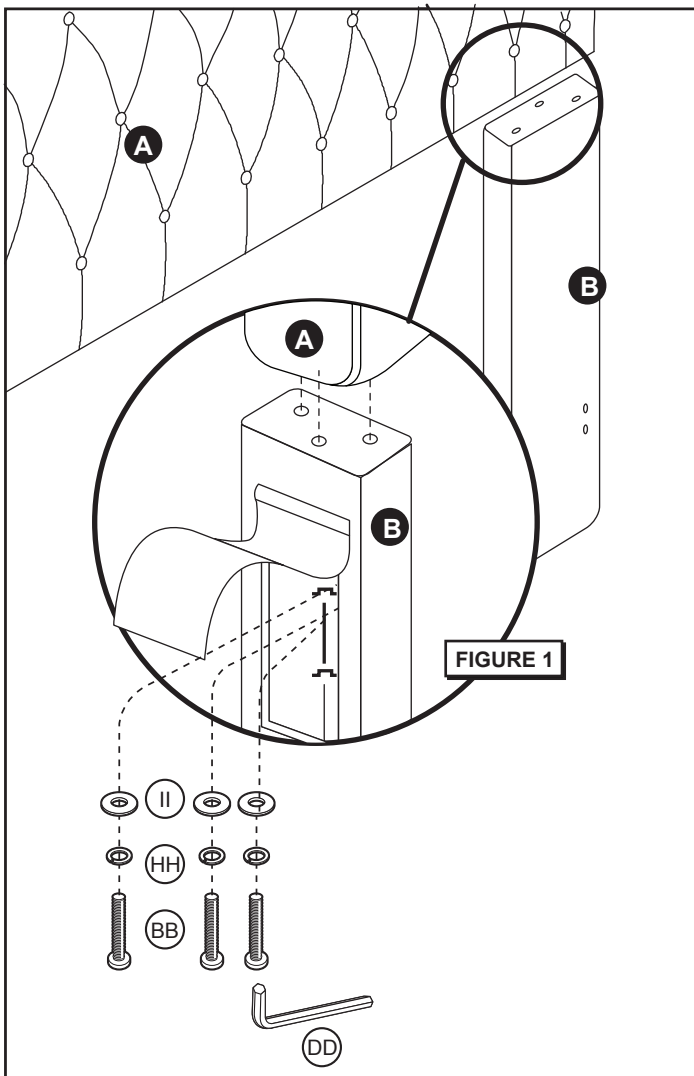


Part	Components	Quantity
A	Headboard	1
B	Headboard Legs	2
C	Slats	4
D	Side Rails	2
E	Footboard	1
F	Support Legs	8
G	Feet	2

Assembly

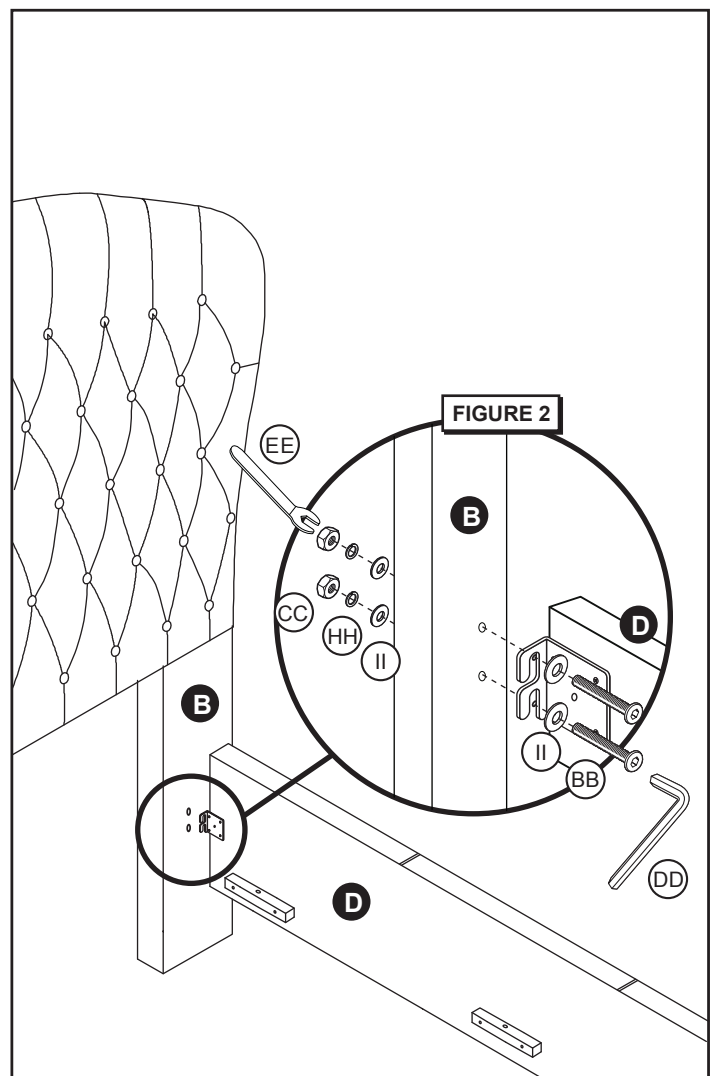
1 Attaching the Headboard Legs

- Begin assembly by attaching the Headboard Legs (B) to Headboard (A) using 3 Allen Bolts (BB), 3 Spring Washers (HH) and 3 Flat Washers (II) from the back of the leg. Tighten all bolts with Allen Wrench (DD) provided.



2 Attaching the Rails to the Headboard

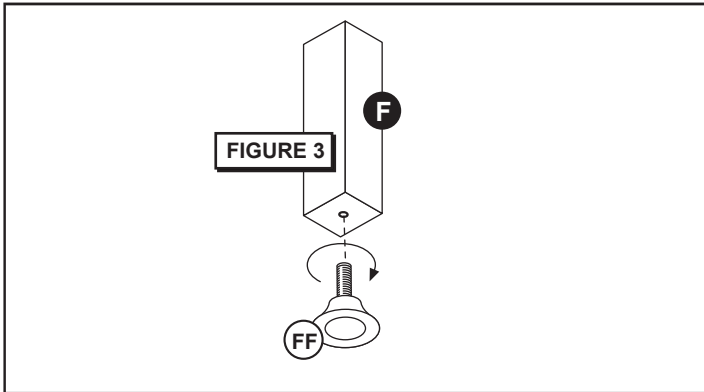
- Attach Side Rails (D) onto Headboard Legs (B) with 2 Bolts (BB) 2 Flat Washers (II) from the front and 2 Flat Washers (II), 2 Spring Washers (HH) and 2 Nuts (CC) from the back. Tighten all bolts with Allen Wrench (DD) provided. Secure bolts from back with 2 Flat Washers (II), 2 Spring Washers (HH) and 2 Nuts (CC). Tighten Nuts (CC) with Open Wrench (EE) provided.



Assembly (continued)

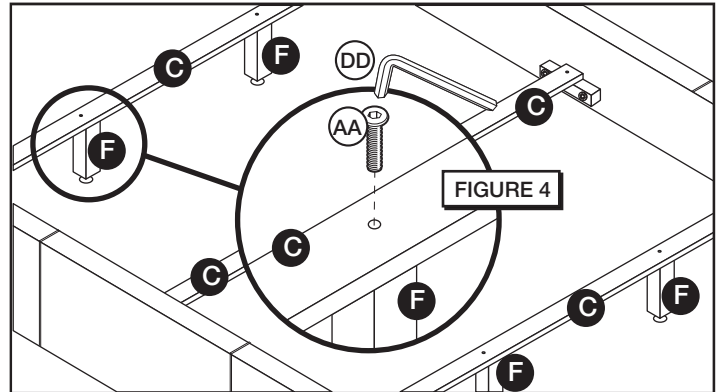
3 Attaching the Adjustable Feet

- Attach the Adjustable Feet (FF) to the Support Legs (F) by screwing them into place.



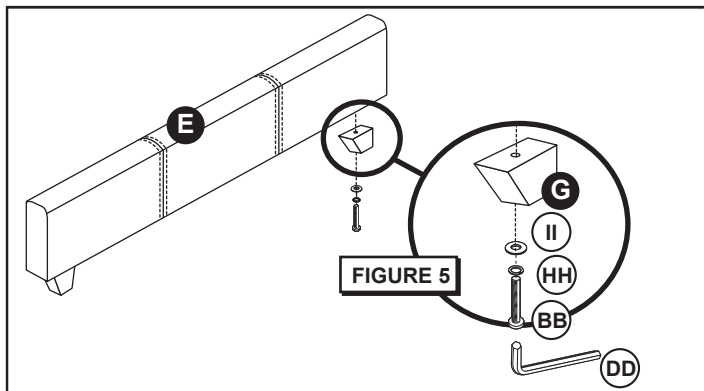
4 Attaching the Support Legs

- Next attach the Support Legs (F) to the Slats (C) using 1 Allen Bolt (AA) from the top of each slat. Tighten bolts with Allen Wrench (DD) provided.



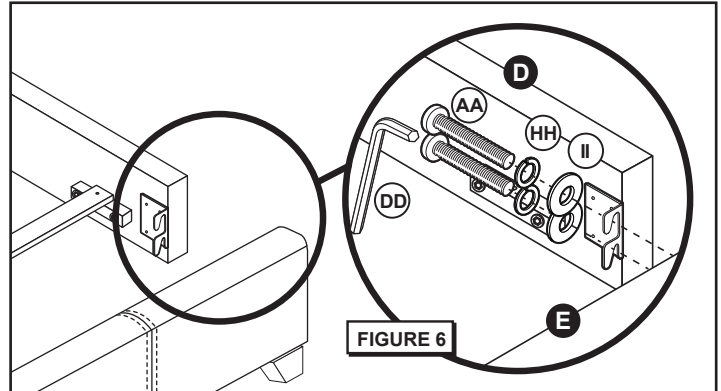
5 Attaching the Footboard Feet

- Attach Feet (G) to Footboard (E) using 1 Allen Bolt (BB), 1 Spring Washer (HH) and 1 Flat Washer (II) per foot. Tighten all bolts with Allen Wrench (DD) provided.



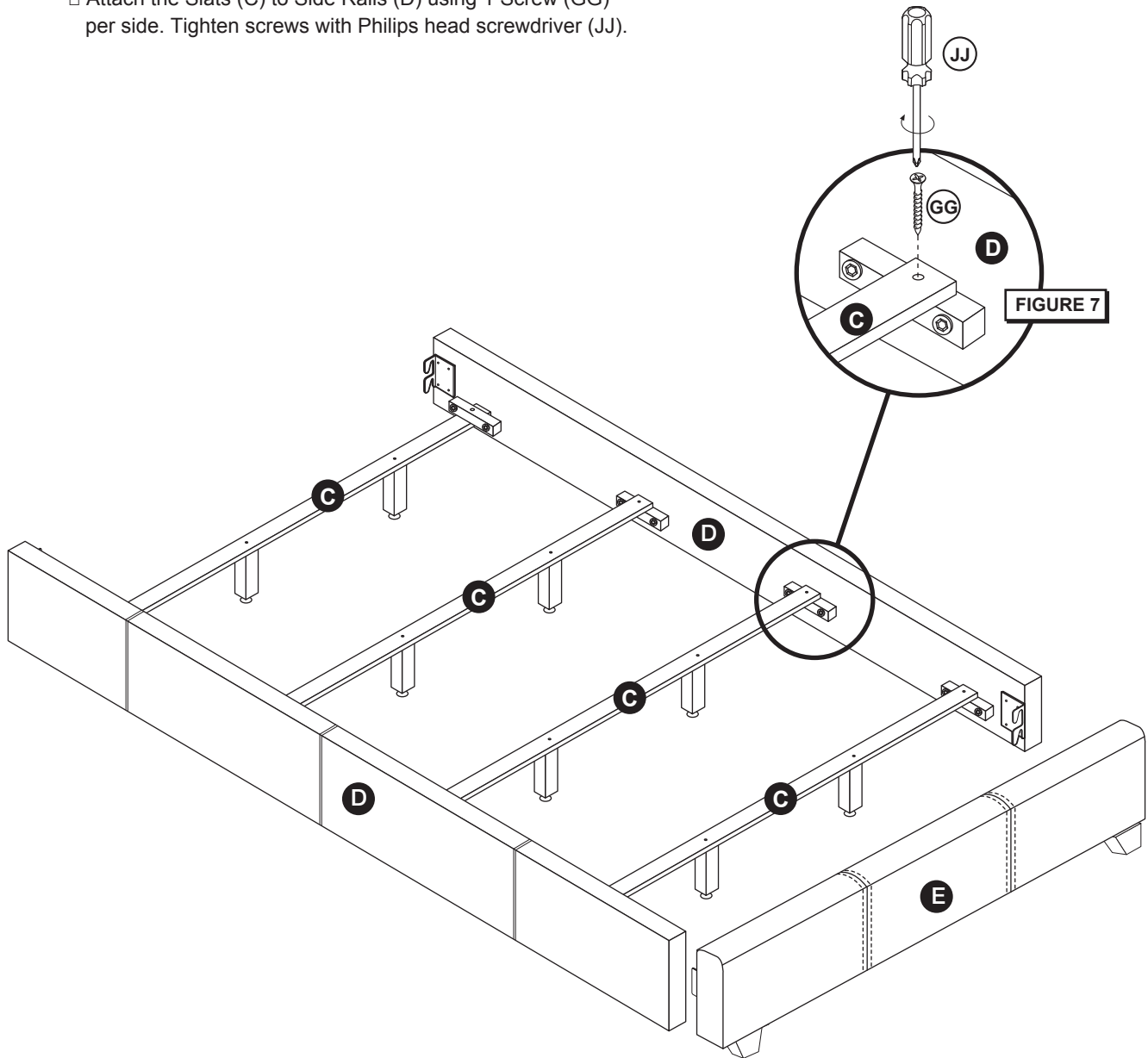
6 Attaching the Rails to the Footboard

- Attach Footboard (E) to Rails (D) using 2 Allen Bolts (AA), 2 Spring Washers (HH) and 2 Flat Washers (II) per side. Tighten all bolts with Allen Wrench (DD) provided.



7 Attaching the Slats

- Attach the Slats (C) to Side Rails (D) using 1 Screw (GG) per side. Tighten screws with Philips head screwdriver (JJ).



Maintenance

- Keep the product away from direct heat and sunlight.
- Prolonged exposure to heat sources may cause glazing, melting and scorching, or even cause color to fade.
- Regular vacuuming or light brushing helps to remove dirt and prevent soil build-up, which increases the appearance wear.
- Periodically (every 90 days) make sure that the screws are fully tightened.

Care and Cleaning

- Vacuum your product regularly. Small dust particles are very abrasive and can wear furniture prematurely.
- Clean spills immediately to prevent staining. If necessary, gently wipe away the spill using a soft, clean cloth dampened with lukewarm water. Allow to dry and brush lightly.
- Never use harsh chemicals or solvents on your product as this may damage the fabric.
- If you choose to use a professional product, pretest the fabric in an inconspicuous area for any signs of discoloration or shrinking.
- Marks and stains from pens, crayons and ink markers are difficult to remove. In the event that your product becomes permanently stained, we recommend that you consult a professional.

HOME DECORATORS COLLECTION

Questions, problems, missing parts? Before returning to the store,
call Home Decorators Collection Customer Service
8 a.m. – 7 p.m., EST, Monday – Friday, 9 a.m. – 6 p.m., EST, Saturday

1-800-998-7021

HOMEDEPOT.COM/HOMEDECORATORS

Retain this manual for future use.