

REMINGTON®

KEROSENE RADIANT HEATER User's Manual & Operating Instructions

MODEL NUMBERS:

REM-80-OFR-O / REM-125-OFR-O

CONSUMER: READ AND SAVE THESE INSTRUCTIONS



Locating Your Serial Number:

Your serial number can be found on a blue label on the left side cover. It will begin with the letter "S" followed by 9 digits. For Example: S160901126. Have your Serial Number ready before calling customer service at 866-676-1989.

⚠ DANGER

GENERAL HAZARD WARNING:

READ AND UNDERSTAND ALL OF THE INSTRUCTIONS IN THIS MANUAL BEFORE ASSEMBLING, STARTING, OR

SERVICING THE HEATER. Be sure to comply with the instructions and warnings provided with this heater. Failure to comply can result in fire or explosion that can cause property loss, bodily injury, or loss of life. Only persons who can follow and understand these instructions should operate or service this heater. If you need heater info; such as an operating manual, labels, etcetera, contact Pinnacle Climate Technologies at 866-676-1989.

⚠ DANGER

NOT FOR USE IN RESIDENTIAL LIVING AREAS OR IN ENCLOSED SPACES WITHOUT ADEQUATE VENTILATION. FOR OUTDOOR USE. INDOOR USE

PERMITTED ONLY FOR: THE TEMPORARY HEATING OF ADEQUATELY VENTILATED BUILDINGS OR STRUCTURES UNDER CONSTRUCTION, ALTERATION OR REPAIR. This is an unvented portable heater that uses air (Oxygen) from within the area in which it is used. Failure to provide adequate combustion and ventilation air will result in asphyxiation, carbon monoxide poisoning, bodily injury or death. Refer to "Ventilation" on Page 7.

Factory ID: 001



U.S. Patent No. 9,644,863



1 Industrial Blvd #101, Sauk Rapids, MN 56379 USA • Toll Free (866) 676-1989
Fax: 320-251-2922 • Web: www.remingtonheater.com • Email: info@pinnacleclimate.com

TABLE OF CONTENTS

Safety Information.....	2-4	Maintenance.....	9-10
Specifications.....	5	Wiring Diagram.....	11
Features.....	5	Troubleshooting Guide.....	12
What's in the Box.....	5	Exploded View.....	13, 15
Assembly.....	5	Parts List.....	14, 16
Operation.....	6-8	Limited Warranty.....	17

SAFETY INFORMATION

⚠ WARNING

FIRE, BURN, INHALATION AND EXPLOSION HAZARD. Keep combustibles such as; building materials, paper or cardboard a safe distance away from the heater as recommended by these instructions. Never use the heater in spaces which contain products such as; gasoline, solvents, paint thinners, dust particles, volatile or airborne combustibles or any unknown chemicals. This is an unvented portable heater. It uses air (Oxygen) from the area in which it is used. Adequate combustion and ventilation air must be provided. Refer to "Ventilation" on page 7. Bulk fuel storage should be a minimum of 25 feet from heater.

⚠ WARNING

DO NOT OPERATE THIS HEATER UNTIL YOU HAVE READ AND THOROUGHLY UNDERSTAND THESE SAFETY AND OPERATING INSTRUCTIONS.

Failure to comply with the precautions and instructions provided with this heater can result in death, serious bodily injury, property loss or damage from the hazards of fire, soot production, explosions, burns, asphyxiation or carbon monoxide poisoning. Only persons who can read and understand these instructions should use or service this heater.

⚠ WARNING

DO NOT START THE HEATER WHEN EXCESS OIL HAS ACCUMULATED.

⚠ WARNING

DO NOT START THE HEATER WHEN THE CHAMBER IS HOT.

⚠ WARNING

This product contains chemicals, including lead, which are known to the State of California to cause cancer and birth defects or other reproductive harm. For more information go to www.P65Warnings.ca.gov.

MASSACHUSETTS RESIDENTS: Massachusetts state law prohibits the use of this heater in any building which is used in whole or in part for human habitation. Use of this heating device in Massachusetts requires local fire department permit (M.G.L.C. 148, Section 10A).

NEW YORK CITY RESIDENTS: The New York City Fire Code prohibits the storage, handling and use of kerosene fueled heaters for space heating. Any person violating that provision may be punished by a fine up to \$10,000 and a term of imprisonment of up to 6 months.

THE INSTALLATION OF THIS HEATER SHALL COMPLY WITH THE REGULATIONS OF THE AUTHORITIES HAVING JURISDICTION.

 Look for this icon throughout the manual for helpful tips on how to assemble, use and clean your OFR heater.

SAFETY INFORMATION (CONT.)

⚠ WARNING RISK OF INDOOR AIR POLLUTION!

The products described in this manual are kerosene direct-fired, forced air heaters. Kerosene forced air heaters are primarily intended for use for temporary heating of buildings under construction, alteration or repair. Direct-fired means that all of the combustion products of the heater enter the heated space. This appliance is rated at 98% combustion efficiency, but does produce small amounts of carbon monoxide.

⚠ DANGER CARBON MONOXIDE POISONING MAY LEAD TO DEATH!

Carbon monoxide is toxic. Humans can tolerate only small amounts of carbon monoxide and so precautions should be taken to provide proper ventilation. Failure to provide proper ventilation in accordance with the instructions in this manual can result in death.

People with breathing problems should consult a physician before using this heater. Early signs of carbon monoxide poisoning resemble the flu. Symptoms of improper ventilation/carbon monoxide poisoning are:

**Headache • Dizziness • Nausea • Dry Mouth
Sore Throat • Burning of Nose and Eyes**

If you experience any of these symptoms: **GET FRESH AIR AT ONCE!** Have your heater serviced and check for proper ventilation. Some people are more affected by carbon monoxide than others. These include: pregnant women, those with heart or lung problems, anemia or those under the influence of alcohol or at high altitudes.

FOR OUTDOOR USE. INDOOR USE PERMITTED ONLY FOR: The temporary heating of adequately ventilated buildings or structures under construction, alteration or repair! Provide at least a three square foot (2,800 sq cm) opening of outside air for every 100,000 Btu/Hr (29 kW) heater rating. Refer to "Ventilation" on page 7 for further instructions.

⚠ WARNING RISK OF ELECTRIC SHOCK!

ALWAYS use only the electrical power (voltage and frequency) specified on the model plate of the heater.

ALWAYS use only three-prong, grounded outlet and extension cord.

ALWAYS use only 14 AWG or better extension cord.

ALWAYS unplug the heater when not in use.

ALWAYS install the heater so that it is not directly exposed to water spray, rain, dripping water, or wind.

NEVER use fuels such as gasoline, benzine, paint thinners or other oil compounds in this heater.

NEVER refill the heater's fuel tank while the heater is operating or still hot. This heater is **EXTREMELY HOT** while in operation.

⚠ WARNING RISK OF BURNS, FIRE AND EXPLOSION!

NEVER block air outlet (front).

NEVER use duct work in front of heater.

NEVER move or handle heater while still hot.

NEVER transport heater with fuel in tank.

NEVER use with an external fuel tank.

Keep all combustible materials away from this heater.

Minimum Clearance From Combustibles

	80-OFR-O	125-OFR-O
Top	4 ft. (125 cm)	6 ft. (185 cm)
Sides	4 ft. (125 cm)	6 ft. (185 cm)
Front	8 ft. (250 cm)	8 ft. (250 cm)

ALWAYS locate heater on a stable and level surface.

If your heater is equipped with a thermostat, once it is plugged in, it can start at anytime in accordance with the thermostat setting.

⚠ WARNING CAUTION! HOT WHILE IN OPERATION. DO NOT TOUCH. KEEP CHILDREN, ANIMALS, CLOTHING AND COMBUSTIBLES AWAY FROM HEATER.

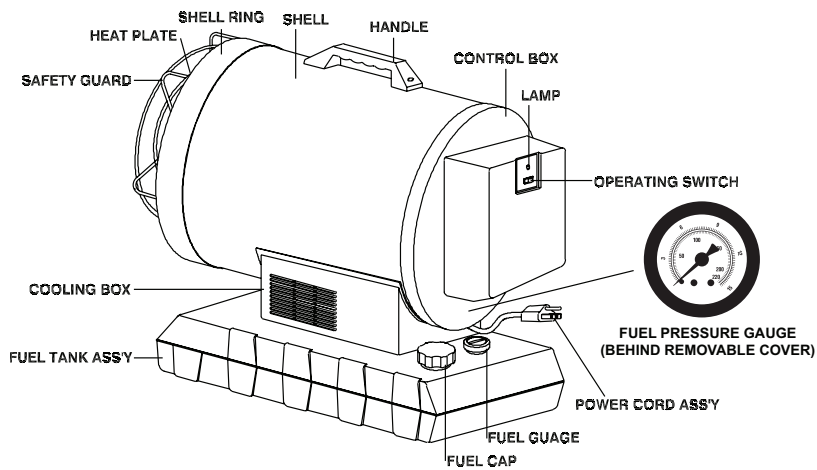
SPECIFICATIONS

Model #	80-OFR-O	125-OFR-O
Rating: Btu/Hr	80,000	125,000
Fuel Consumption: Gal./Hr / L/Hr	0.63 / 2.38	0.85 / 3.22
Fuel Tank Capacity: Gal. / L	4 / 15.14	14 / 53.00
Max Operating Hours	6	20
Volts: AC/Hz	120V / 60Hz	120V / 60Hz
Amps	3.15	3.15
Heating Area: ft. ²	2000	3125

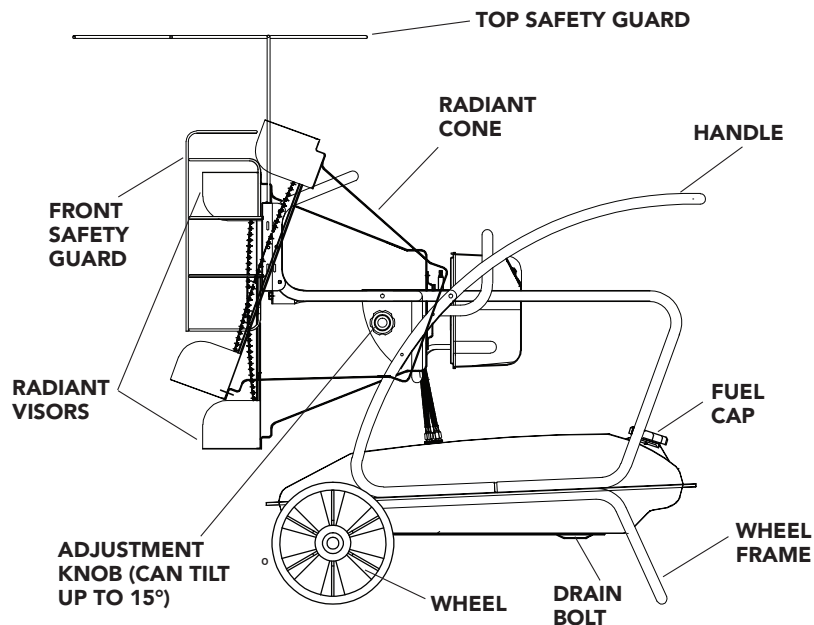
Specifications subject to change without notice.

FEATURES

80-OFR-O



125-OFR-O



WHAT'S IN THE BOX

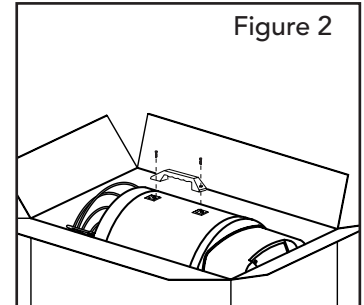
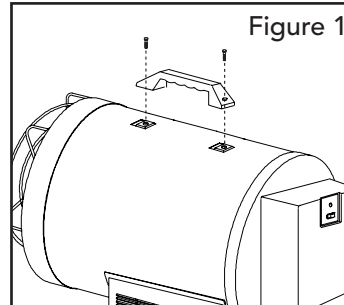
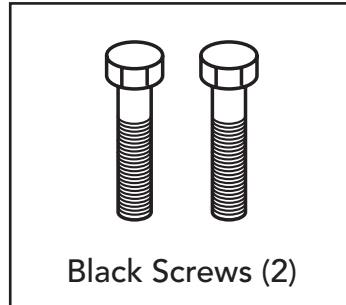
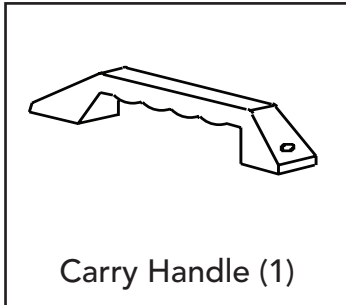
80-OFR-O

Tools Needed:

- Phillips Head Screw Driver



Attach the handle while still in the box for easier unpacking (see Figures 1 and 2).

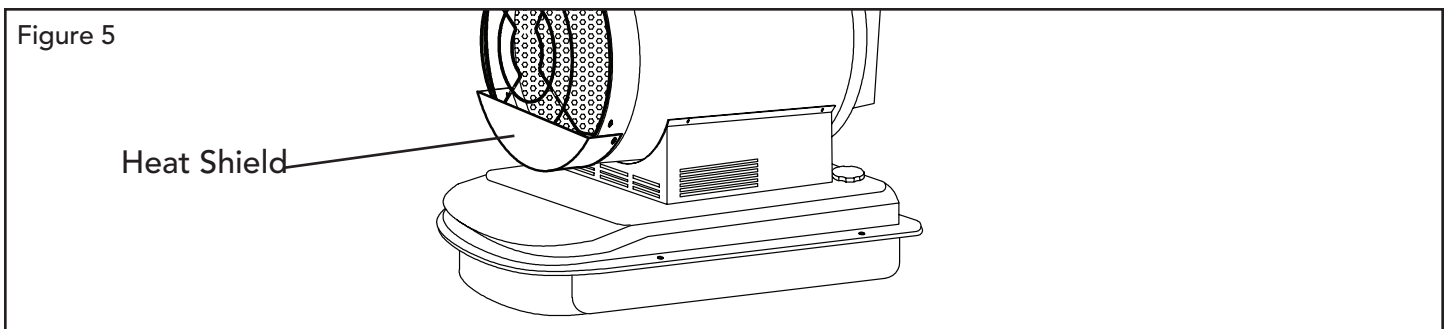
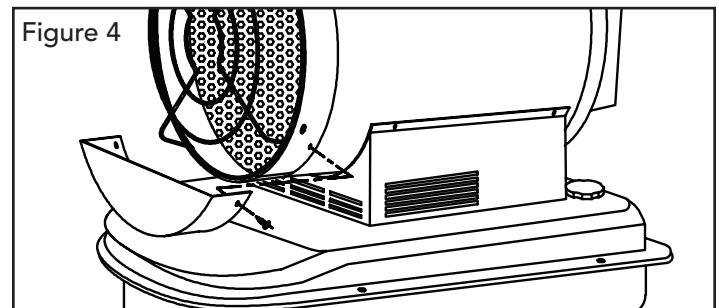
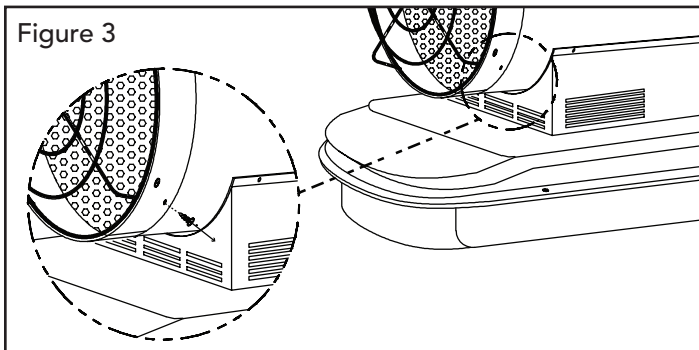


ASSEMBLY

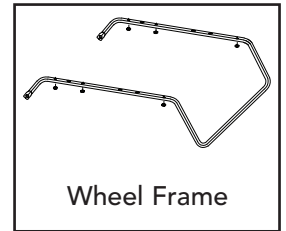
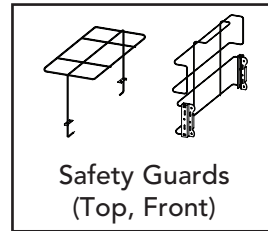
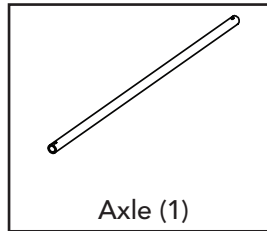
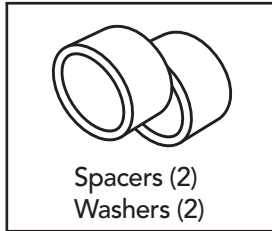
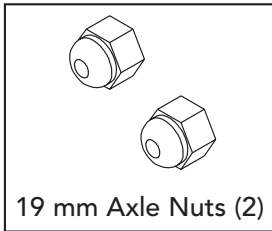
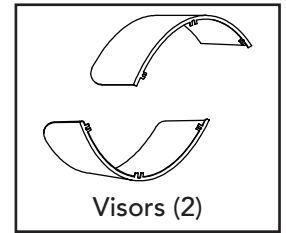
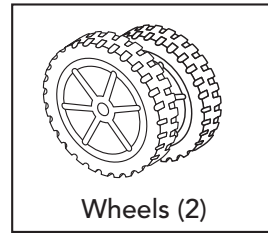
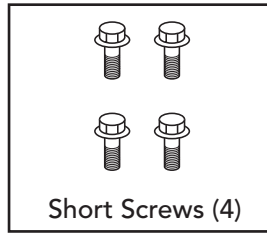
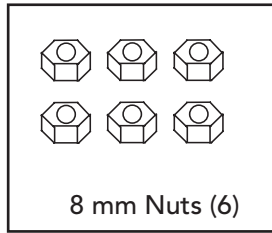
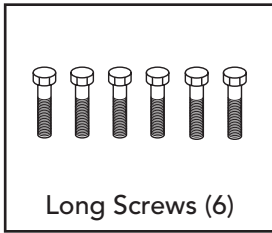
80-OFR-O

IMPORTANT: INSTALL HEAT SHIELD BEFORE OPERATING YOUR 80-OFR-O HEATER

1. Remove existing screws from shell ring on either side of heater (see Figure 3) .
2. Line up holes on heat shield with holes in shell ring. Attach with screws removed in step 1 (see Figures 4 and 5).

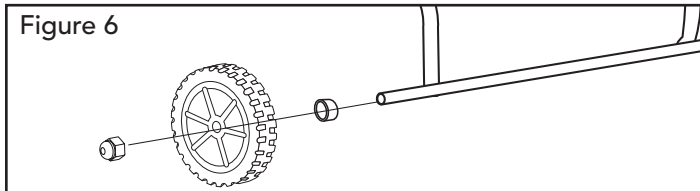


WHAT'S IN THE BOX 125-OFR-O

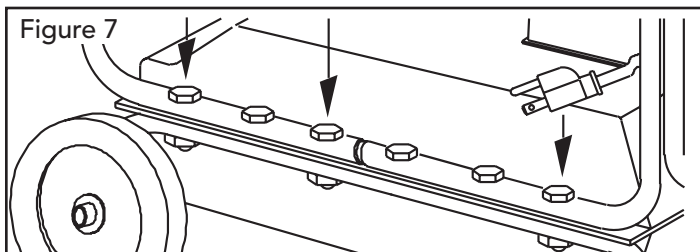


ASSEMBLY 125-OFR-O

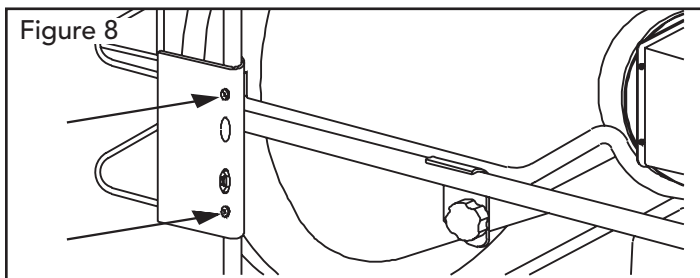
- Slide axle through Wheel Frame and attach wheels, washers and nuts (see Figure 6).



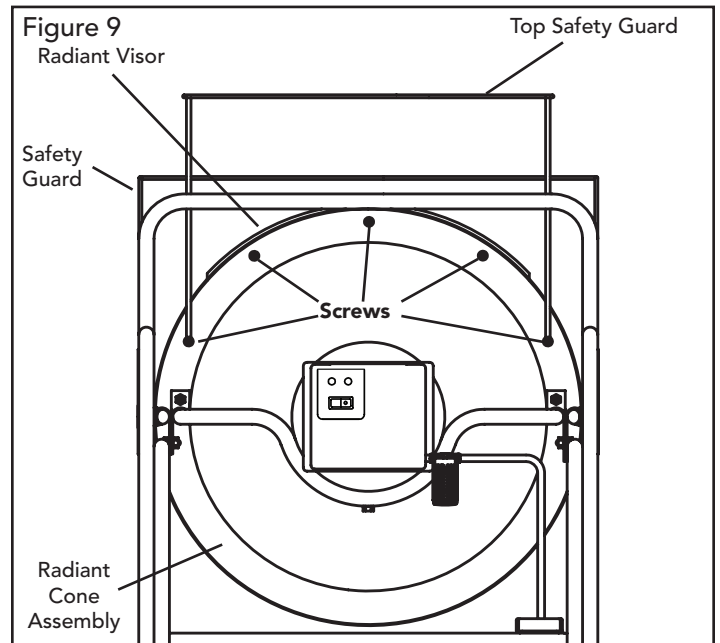
- Place main structure on wheel frame and fasten with long screws provided (see Figure 7).



- Attach safety guard to front of heater with screws provided (see Figure 8).



- Attach Radiant Visors to the top and bottom rear of the Radiant Cone Assembly using extra screws included.



- Attach top safety guard using the two outer-most extra screws on the top of the radiant cone (see Figure 9).

Note: Save the box and packaging materials for future storage.

OPERATION

Fueling The Heater:

Kerosene

For optimal performance of this heater, it is strongly suggested that Kerosene be used. Kerosene has been refined to virtually eliminate contaminants, such as sulfur, which can cause a rotten egg odor during the operation of the heater. Using diesel fuel can cause excess soot production. Do not use Bio-Diesel as this fuel will damage your heater's seals and filter.

- CSA certified for use with K-1 kerosene, no. 1 & no. 2 diesel, JP8/Jet A Fuel, no. 1 and no. 2 fuel oil.

⚠ DANGER	NEVER REFUEL THIS HEATER WHILE IT IS HOT OR OPERATING. FIRE OR EXPLOSION COULD RESULT.
-----------------	---

⚠ CAUTION	NEVER FILL THE FUEL TANK INDOORS. ALWAYS FILL THE TANK OUTDOORS. BE SURE THAT THE HEATER IS ON LEVEL GROUND WHEN FUELING, AND NEVER OVERFILL THE TANK.
------------------	---

⚠ WARNING	DO NOT USE GASOLINE OR CRANKCASE DRAININGS.
------------------	--

- NEVER use fuel such as, benzene, alcohol, white glass, camp stove fuel, farm diesel, paint thinners, or other oil compounds in this heater. THESE ARE VOLATILE FUELS THAT CAN CAUSE A FIRE OR EXPLOSION.
- NEVER store Kerosene in the living space. Kerosene should be stored in a well ventilated area outside the living area.
- NEVER store Kerosene in direct sunlight or near a source of heat.

- NEVER use Kerosene that has been stored from one season to the next. Kerosene deteriorates over time. OLD Kerosene WILL NOT BURN PROPERLY IN THIS HEATER.

NOTE: Kerosene should only be stored in a blue container that is clearly marked "Kerosene." Never store Kerosene in a red container. Red is associated with gasoline.

Ventilation:

⚠ DANGER	CARBON MONOXIDE POISONING MAY LEAD TO DEATH!
-----------------	---

- Risk of indoor air pollution and Carbon Monoxide Poisoning. Use heater only in well ventilated areas.
- Refer to Safety Information on pages 2-3 for information about Carbon Monoxide Poisoning.
- ALWAYS provide a fresh air opening in the heated space of at least 2,800 square centimeters (3 sq. ft) for each 100,00 Btu/Hr. (29 kW) of heater output. Provide a larger opening if more heaters are being used.

Minimum Ventilation Opening Needed	
80-OFR-O	125-OFR-O
2.4 ft. ²	3.75 ft. ²
2230 cm ²	3484 cm ²

OPERATION (CONT.)

Starting the Heater (Ignition):

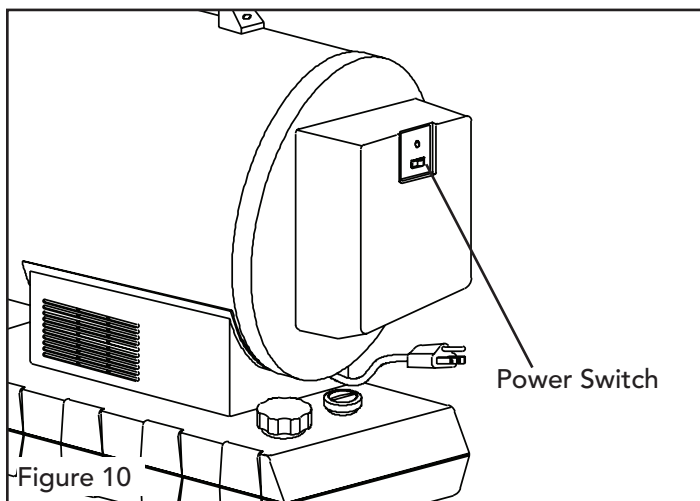
1. Fill the tank with Kerosene or other approved fuel until needle on fuel gauge points to "F".
2. Replace fuel cap and tighten firmly.
3. Connect the heater to a three prong (grounded) power source. You must use a three prong (grounded) extension cord that is at least 1.8 meters long and is a minimum of 14 AWG rating.

NOTE: On first ignition or after refueling, you may hear a grinding sound just before ignition. This is the fuel pump removing the air from the fuel line. Your heater will start up within seconds. If it does not start repeat start-up procedures with fuel gauge reading at least 1/2 tank.

NOTE: Smoking may occur on first ignition.

NOTE: The electrical components of these heaters are protected by a fuse mounted in the PC board. If the heater fails to ignite, check this fuse first and replace if necessary. Also check the power source to be sure the proper voltage is being provided to the heater.

1. Complete steps 1-3 above.
2. Push the power switch to the "ON" position. The power indicator lamp will light and heater will ignite (see Figure 10).



Stopping the Heater (Cool Down):

1. Turn the power switch to the "OFF" position. Combustion will stop and the Cooling Cycle will begin.
 - 80-OFR-O: approx. 5 mins
 - 125-OFR-O: approx 3 minsWhen the Cooling Cycle is complete the fan will stop running and it will be safe to unplug the heater.

NOTE: Unplugging the heater before the Cooling Cycle has been completed may cause overheating, possible damage to the heater and heat plate.

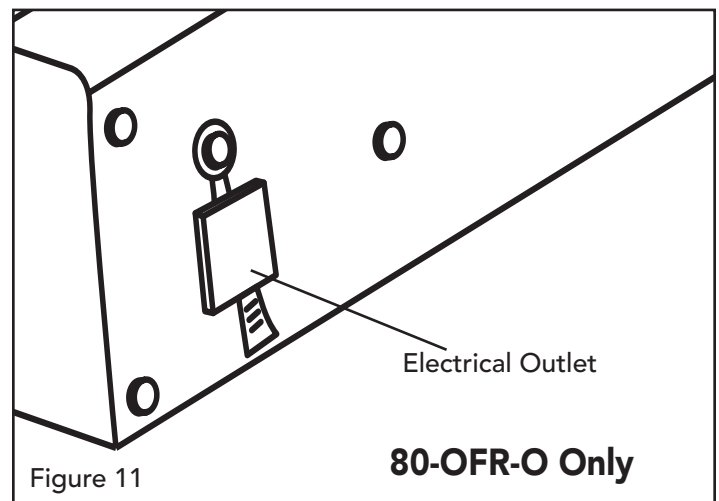
WARNING DO NOT disconnect heater from power source before cooling cycle has been completed.

Restarting the Heater:

1. Wait ten seconds after Cooling Cycle has been completed.
2. Follow all start-up procedures above.

Electrical Outlet (80-OFR-O Only):

- Never plug an appliance with more than a 5 amp rating into this outlet (see Figure 11).
- Always keep outlet covered when not in use



MAINTENANCE

Long Term Storage:

1. Unscrew the fuel cap.
2. Using an approved siphon, remove the Kerosene or diesel.
3. Using a small amount of Kerosene or diesel, rinse and swirl the fuel inside the fuel tank

NOTE: NEVER MIX WATER WITH FUEL. It will cause rust inside the tank.

4. Empty the tank completely.

IMPORTANT: Never store leftover Kerosene between seasons, using old fuel can damage heater.

Store Heater in a dry, well ventilated area.

- Be sure that the storage area is free of dust and corrosive vapors. Repack the heater in the original packaging and keep user's manual in an easily accessible place.

 WARNING	<p>Never service heater while it is plugged in or hot!</p>
--	---

Service:

DO NOT TAMPER WITH THE UNIT. HAVE AN EXPERIENCED SERVICEMAN MAKE ANY NECESSARY ADJUSTMENT OR REPAIRS.

We suggest following a maintenance schedule as follows:

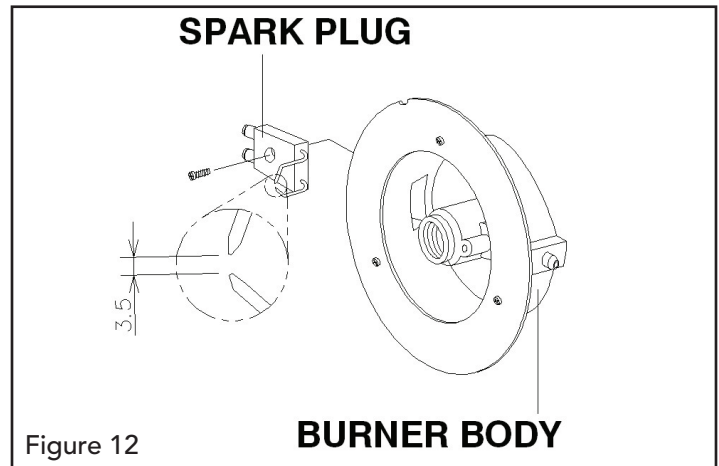
TIP: Follow the long term storage instructions to flush the tank.

FUEL / FUEL TANK:

Flush tank every 200 hours of operation or as needed. DO NOT flush with water, use fresh Kerosene only.

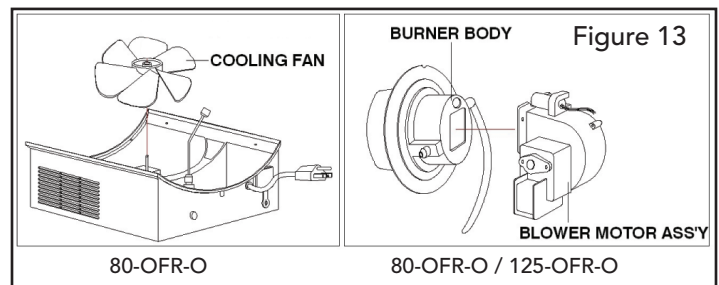
SPARK PLUG:

Clean and re-gap every 600 hours of operation or replace as needed. After removing the Spark Plug, clean the terminals with a wire brush. Re-gap the terminals to 0.140" (3.5 mm) (see Figure 12).



FAN BLADES:

The fan blades should be cleaned at least once per heating season, depending on conditions. Remove all accumulated dust and dirt with a burst of condensed air (see Figure 13).



PRESSURE ADJUSTMENTS:

Proper pressure is dependent on the fuel type the unit will be running. When smoking or non-ignition occurs, remove the lower panel. Locate the Phillips screw with a nut on the fuel pump to the left of the fuel line. There is a small "P" next to the pressure screw. The ideal pressure is 112 psi (7.9 kg/cm²).

If you are experiencing smoking or fuel dripping from the unit, turn the screw clockwise 1/8 to 1/4 of a turn to increase the fuel pressure until the unit is operating properly.

If you are experiencing extended flames from the front of the unit, turn the screw 1/8 to 1/4 of a turn counterclockwise to reduce the air pressure until the unit is operating properly.

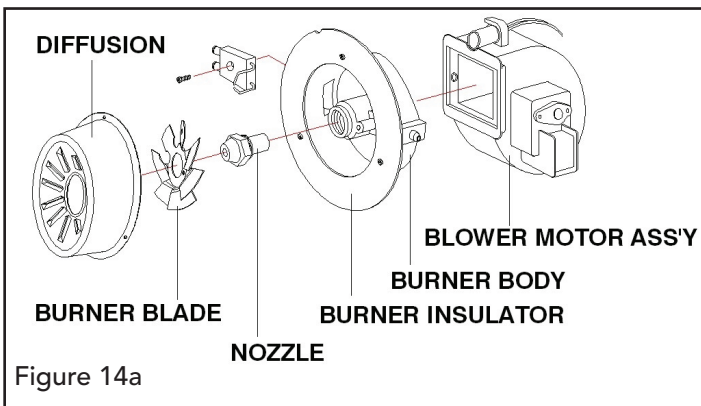
MAINTENANCE (CONT.)

Service (Continued):

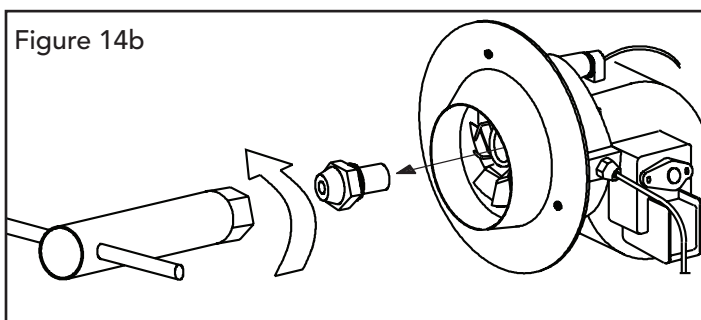
NOZZLES:

Nozzles should be cleaned or replaced at least once per heating season. Contaminated fuel could make this necessary immediately. To clean dirt from nozzle, blow compressed air through nozzle front. It may be necessary to soak nozzle in clean Kerosene or diesel to help loosen any particles (see Figure 14a and 14b).

80-OFR-O Nozzle

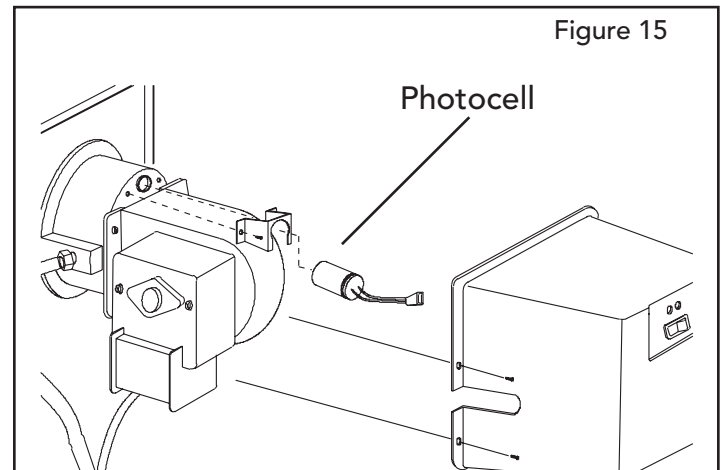


125-OFR-O Nozzle



PHOTOCELL:

The photocell should be cleaned at least once per heating season or more depending on conditions. Use a cotton swab and water or alcohol to clean the lens of the photocell. Be certain to reinstall the photocell in proper position as shown below (see Figure 15).

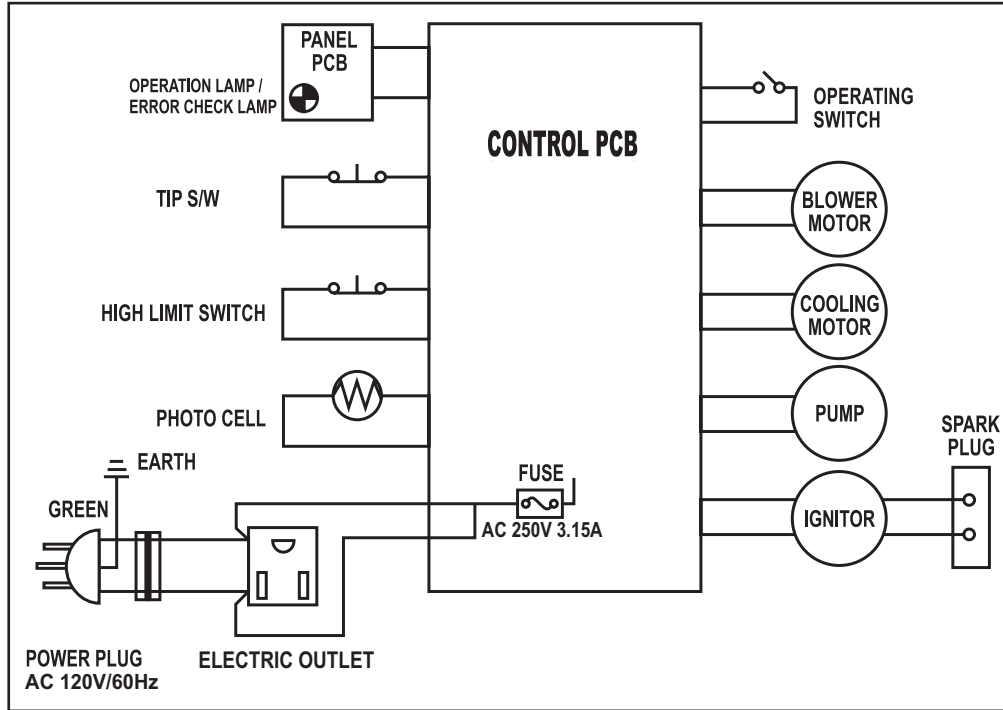


FILTERS:

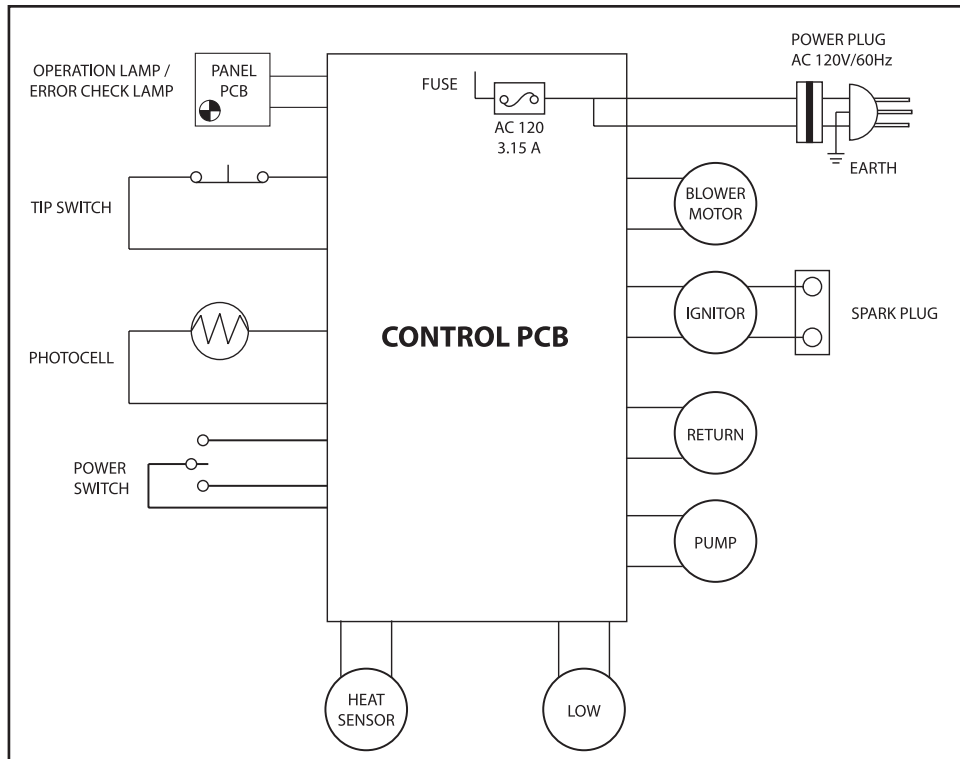
The fuel filter and oil filter should be cleaned at least twice per heating season by rinsing it in clean Kerosene or diesel. Contaminated or old fuel could make cleaning necessary immediately.

WIRING DIAGRAMS

80-OFR-O



125-OFR-O

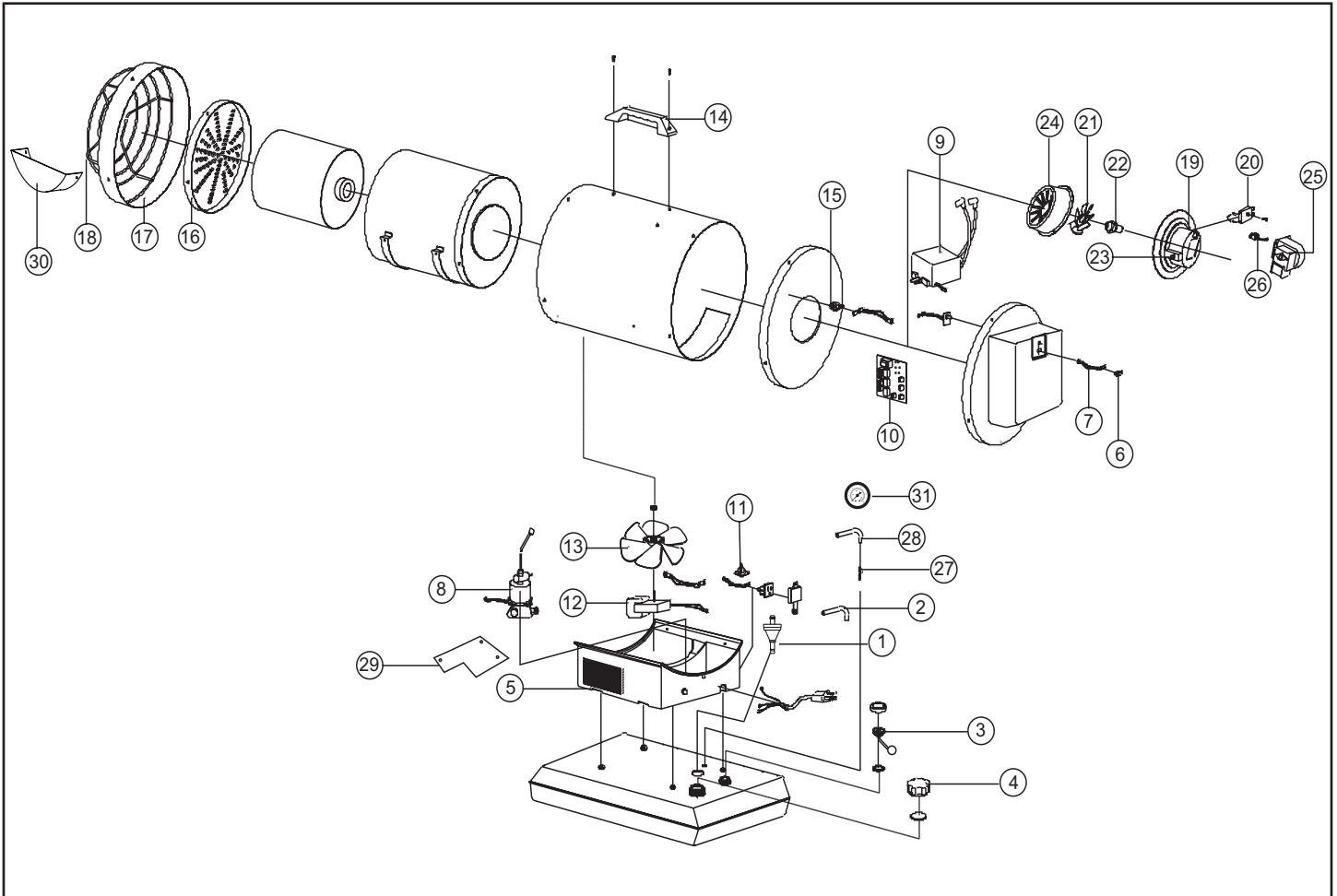


TROUBLESHOOTING GUIDE

Problem	Possible Cause	Solution
Heater fires, but shuts down after a short period of time.	<ol style="list-style-type: none"> 1. Dirty Fuel Filter. 2. Nozzle Dirty. 3. Photocell Dirty. 4. Photocell not installed properly. 5. Photocell Defective . 6. Improper electrical connection between Circuit Board and Photocell. 7. Cooling Fan is obstructed 8. Improper pressure. 	<ol style="list-style-type: none"> 1. Clean/replace Fuel Filter. 2. Clean/replace Nozzle 3. Clean/replace Photocell . 4. Adjust Photocell position. 5. Replace Photocell. 6. Check wiring connections (See Wiring Diagrams, Page 11). 7. Check to be sure cooling fan is not obstructed. 8. Adjust pump pressure.
Heater will not operate, or motor runs for short time.	<ol style="list-style-type: none"> 1. No Kerosene/ diesel in fuel tank. 2. Corroded Spark Plug or incorrect plug gap. 3. Dirty Fuel Filter. 4. Dirty Nozzle. 5. Moisture in Fuel/Fuel Tank. 6. Improper electrical connection between Transformer and Circuit Board. 7. Transformer Wires not connected to Spark Plug. 8. Defective Transformer. 	<ol style="list-style-type: none"> 1. Fill tank with fresh Kerosene/ diesel. 2. Clean/replace Spark Plug. 3. Clean/replace Fuel Filter. 4. Clean/replace Nozzle. 5. Rinse out fuel tank with clean fresh Kerosene/ diesel. 6. Inspect all electrical connections. (See Wiring Diagrams, Page 11). 7. Re-attach Transformer wires to Spark Plug. 8. Replace Transformer.
Fan does not operate when heater is plugged in and Operating Switch is in the "ON" position.	<ol style="list-style-type: none"> 1. Broken electrical connection between Circuit Board and motor. 2. Not enough amps available to power heater. 	<ol style="list-style-type: none"> 1. Inspect all electrical connections on Wiring Diagrams (Page 11). 2. Use a new extension cord or try another electrical socket.
Heater makes grinding noise.	<ol style="list-style-type: none"> 1. Air in fuel pump. 	<ol style="list-style-type: none"> 1. Sound will stop after 3 seconds. If grinding sound continues, add fuel to tank.
Heater does not turn on and the lamp is not lit.	<ol style="list-style-type: none"> 1. Temperature limit sensor has overheated. 2. No electrical power. 3. Fuse break down. 4. Improper electrical connection between Temperature Limit Sensor and Circuit Board. 	<ol style="list-style-type: none"> 1. Push Operating Switch to "OFF" and allow heater to cool for 5 minutes. Push Operating Switch back to "ON". 2. Check power cord and extension cord to insure of proper connection. Test power supply. 3. Check/replace Fuse. 4. Inspect all electrical connections. (See Wiring Diagrams, Page 11).
Poor combustion and / or soot production.	<ol style="list-style-type: none"> 1. Pump Pressure. 2. Poor fuel quality. 	<ol style="list-style-type: none"> 1. Be sure pump pressure is adjusted correctly. 2. Be sure Kerosene/ diesel is not old or contaminated.

EXPLODED VIEW

80-OFR-O

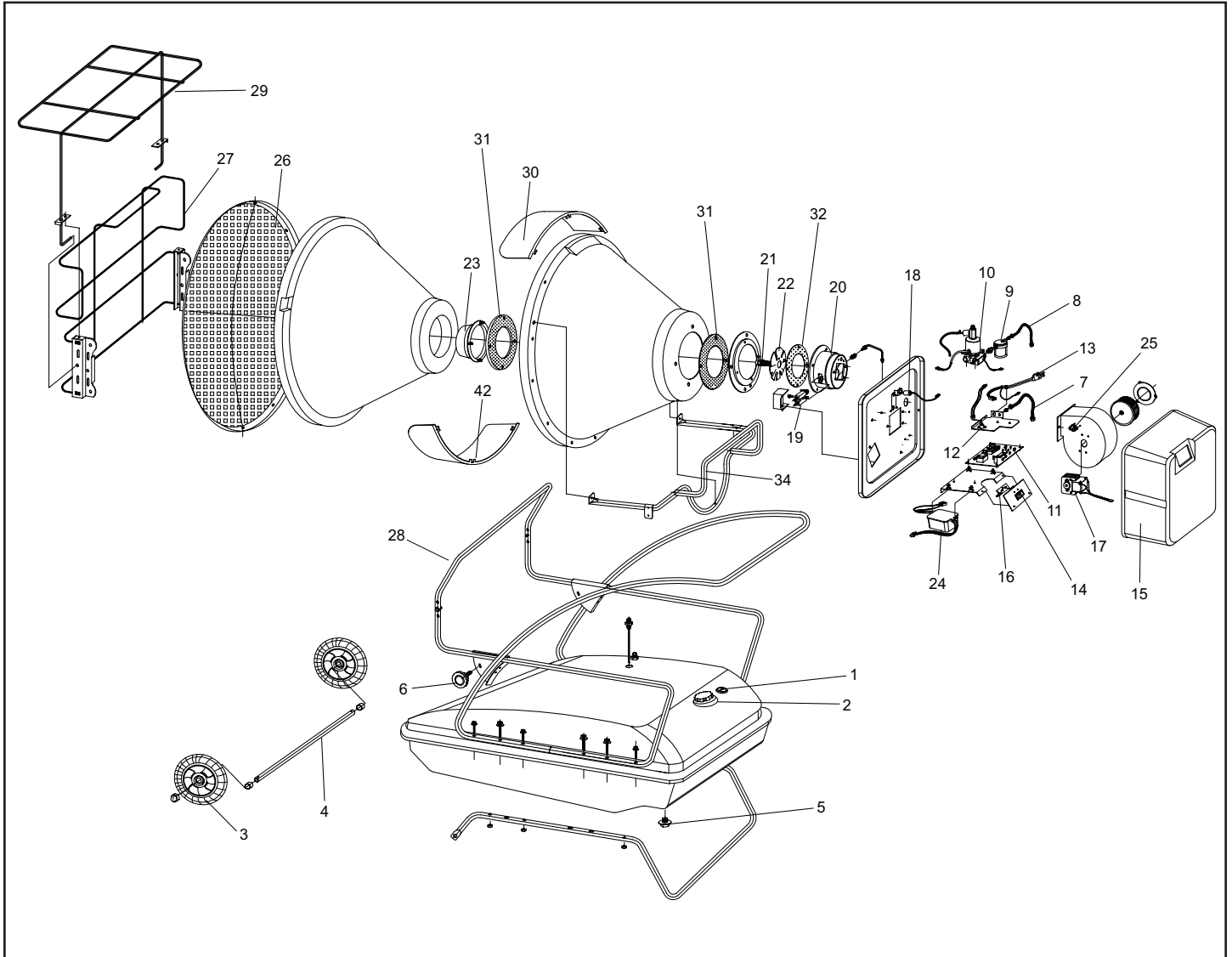


PARTS LIST:**80-OFR-O**

Item #	Description	Part Number
1	Fuel Filter	75-023-0285
2	Fuel Line	75-024-0740
3	Fuel Gauge	75-028-0200
4	Fuel Cap	70-006-0140
5	Cooling Fan Housing / Cooling Fan Housing Panel	75-011-0685 / 75-011-0690
6	Operating Switch	75-012-0120
7	Operating Switch Wire	75-012-0220
8	Electric Pump	75-027-0650
9	Ignitor	75-025-0120
10	Main PCB Assembly	75-025-0400
11	Tip-Over Sensor	75-051-0200
12	Cooling Motor Assembly	75-047-0250
13	Cooling Fan	75-047-0200
14	Handle	75-001-0060
15	Temperature Limit Switch	75-040-0100
16	Heat Plate	75-012-0600
17	Shell Ring	75-011-0650
18	Safety Guard	75-012-0310
19	Burner Body	75-036-0180
20	Spark Plug	75-075-0200
21	Burner Blade	75-036-0120
22	Nozzle	75-036-0460
23	Nipple	75-040-0610
24	Diffusion Cap	75-036-0500
25	Blower Motor Assembly	75-045-0200
26	Photocell	72-038-0200
27	Return Pipe	75-055-0100
28	Return Hose	75-024-0745
29	Electronic Pump Bracket	75-027-0255
30	Heat Shield	75-012-0320
31	Fuel Pressure Gauge	70-028-0200

EXPLODED VIEW

125-OFR-O



PARTS LIST:**125-OFR-O**

Item #	Description	125-OFR-O
1	Fuel Filter	72-022-0100
2	Fuel Cap	70-006-0130
3	Wheel	70-041-1400
4	Axle	72-041-0200
5	Drain Bolt	72-002-0220
6	Height Adjustment Knob	72-042-0500
7	Return Fuel Line	72-023-0260
8	Intake Fuel Line	72-023-0260
9	Fuel Filter Assembly	72-020-0100
10	Fuel Pump	72-027-0100
11	Main PCB and Fuse	72-025-0450
12	Tip Over Sensor	75-051-0200
13	Power Cord	72-032-0150
14	Power Switch	72-012-0120
15	Back Cover	72-013-0110
16	Panel sub-PCB	72-014-0100
17	Blower Motor Assembly	72-045-0100
18	Photocell	72-038-0200
19	Spark Plug	75-075-0200
20	Burner Body	72-035-0210
21	Nozzle	72-036-0100
22	Burner Blade	72-035-0510
23	Diffusion Cap	72-036-0210
24	Ignitor	72-037-0350
25	Temperature Overheat Sensor	72-040-0100
26	Heat Plate	72-012-0400
27	Safety Guard	72-012-0200
28	Front Frame	72-042-0410
29	Top Safety Guard	72-012-0250
30	Radiant Visors	72-012-0220
31	Radiant Cone Gaskets	72-035-0630
32	Burner Housing Assembly	72-035-0615

LIMITED WARRANTY

Pinnacle Climate Technologies, Inc. warrants this heater to the original retail purchaser only, to be free from defects in material and workmanship for a period of one (1) year from the date of initial purchase. This product must be properly installed, maintained and operated in accordance with the instructions provided.

Pinnacle Climate Technologies, Inc. requires reasonable proof of your date of purchase from an authorized retailer or distributor. Therefore, you should keep your sales slip, invoice or cancelled check from the original purchase. This Limited Warranty shall be limited to the repair or replacement of parts, which prove defective under normal use and service within the warranty period, and which **Pinnacle Climate Technologies, Inc.** shall determine at its reasonable discretion.

This warranty does not apply to products purchased for rental use.

This Limited Warranty does not cover any failures or operating difficulties due to normal wear and tear, accident, abuse, misuse, alteration, misapplication, improper installation or improper maintenance and service by you or any third party. Failure to perform normal and routine maintenance on the heater, shipping damage, damage related to insects, birds or animals of any kind, and damage due to weather conditions are also not covered. In addition, the Limited Warranty does not cover damage to the finish, such as scratches, dents, discoloration, rust or other weather damage, after purchase.

All transportation costs for the return of damaged product or parts will be the responsibility of the purchaser. Upon receipt of damaged item, **Pinnacle Climate Technologies, Inc.** will examine the item and determine if defective. **Pinnacle Climate Technologies, Inc.** will repair or replace and return the item, freight pre-paid.

Locating Your Serial Number:

Your serial number can be found on a blue label on the left side cover. It will begin with the letter "S" followed by 9 digits. For Example: S160901126. Have your Serial Number ready before calling customer service at 866-676-1989.

Model #: _____

Serial #: _____

Date of Purchase: _____

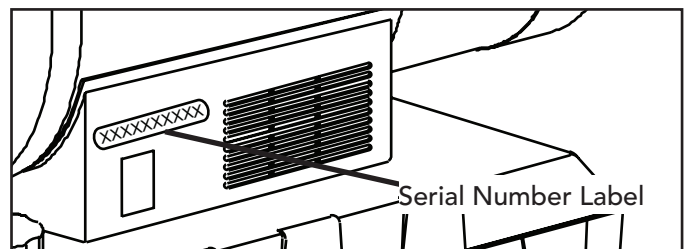
If **Pinnacle Climate Technologies, Inc.** finds the item to be in normal operating condition, or not defective the item will be returned freight collect. This Limited Warranty is in lieu of all other express warranties.

Pinnacle Climate Technologies, Inc. disclaims all warranties for products that are purchased from sellers other than authorized dealers or distributors.

AFTER THE PERIOD OF THE ONE (1) YEAR EXPRESS WARRANTY EXPIRES, **Pinnacle Climate Technologies, Inc.** DISCLAIMS ANY AND ALL IMPLIED WARRANTIES, INCLUDING WITHOUT LIMITATION THE IMPLIED WARRANTIES OF MERCHANTABILITY AND FITNESS FOR A PARTICULAR APPLICATION. FURTHER, **Pinnacle Climate Technologies, Inc.** SHALL HAVE NO LIABILITY WHATSOEVER TO PURCHASER OR ANY THIRD PARTY FOR ANY SPECIAL, INDIRECT, PUNITIVE INCIDENTAL, OR CONSEQUENTIAL DAMAGES. **Pinnacle Climate Technologies, Inc.** assumes no responsibility for any defects caused by third parties. This Limited Warranty gives the purchaser specific legal rights; a purchaser may have other rights depending upon where he or she lives. Some states do not allow the exclusion or limitation of special, incidental or consequential damages, or limitations on how long a warranty lasts, so the above exclusion and limitations may not apply to you.

Pinnacle Climate Technologies, Inc. does not authorize any person or company to assume for it any other obligation or liability in connection with the sale, installation, use, removal, return or replacement of its equipment, and no such representations are binding on **Pinnacle Climate Technologies, Inc.**

Always be sure to specify the model number and serial number when making any claim with **Pinnacle Climate Technologies, Inc.** For your convenience, use the space provided below to list this information.





1 Industrial Blvd #101, Sauk Rapids, MN 56379 USA • Toll Free (866) 676-1989
Fax: 320-251-2922 • Web: www.remingtonheater.com • Email: info@pinnacleclimate.com

REMINGTON®

CALENTADOR RADIANTE DE QUEROSENO

Manual del usuario
e instrucciones de operación

MODELOS N.º

REM-80-OFR-O / REM-125-OFR-O

CONSUMIDOR: LEA Y CONSERVE ESTAS INSTRUCCIONES



Cómo localizar su número de serie:

El número de serie lo puede encontrar en la etiqueta azul en el lado derecho de la cubierta. Empieza con la letra "S" seguida por 9 dígitos. Por ejemplo: S160901126. Tenga su número de serie a la mano antes de llamar al servicio al cliente al 866-676-1989.



PELIGRO

ADVERTENCIA GENERAL DE PELIGRO:

LEA Y COMPRENDA TODAS LAS INSTRUCCIONES EN ESTE MANUAL ANTES DE ARMAR, ENCENDER O DAR SERVICIO AL CALENTADOR.

Asegúrese de seguir las instrucciones y advertencias provistas con este calentador. No seguirlas puede provocar un incendio o explosión que pueden causar pérdidas materiales, lesiones físicas o muerte. Solamente personas que puedan seguir y comprender estas instrucciones deben operar o dar servicio a este calentador. Si necesita información sobre el calentador, como un manual de operación, etiquetas, etc. comuníquese con Pinnacle Climate Technologies al 866-676-1989.



PELIGRO

NO DEBE USARSE EN ÁREAS HABITABLES RESIDENCIALES NI EN ESPACIOS CERRADOS CON VENTILACIÓN

INADECUADA. PARA USO EN EXTERIORES. EL USO EN INTERIORES SÓLO SE PERMITE PARA: CALEFACCIÓN TEMPORAL DE EDIFICIOS ADECUADAMENTE VENTILADOS O ESTRUCTURAS EN CONSTRUCCIÓN, MODIFICACIÓN O REPARACIÓN. Este es un calentador portátil sin ventilación que utiliza aire (oxígeno) del área en la que se usa. Si no se suministra aire de combustión y ventilación adecuados se puede causar asfixia o envenenamiento por monóxido de carbono, lesiones físicas o la muerte. Consulte "Ventilación" en la página 7.

ID de fábrica: 001



Patente de EE. UU.
Nº 9,644,863

PINNACLE
CLIMATE TECHNOLOGIES™

1 Industrial Blvd #101, Sauk Rapids, MN 56379 USA • Llamada sin costo (866) 676-1989
Fax: 320-251-2922 • Sitio web: www.remingtonheater.com • Correo electrónico: info@pinnacleclimate.com

ÍNDICE

Información de seguridad.....	2-4	Mantenimiento.....	9-10
Especificaciones.....	5	Diagrama eléctrico.....	11
Características.....	5	Guía para la solución de problemas.....	12
Qué hay en la caja.....	5	Vista detallada.....	13, 15
Montaje.....	5	Lista de piezas.....	14, 16
Funcionamiento.....	6-8	Garantía limitada.....	17

INFORMACIÓN DE SEGURIDAD

⚠ ADVERTENCIA PELIGRO DE INCENDIO, QUEMADURAS, INHALACIÓN Y EXPLOSIÓN. Mantenga los combustibles como materiales de construcción, papel o cartón, a una distancia prudente del calentador según lo recomiendan estas instrucciones. Nunca use el calentador en espacios que contengan productos como gasolina, disolventes, solventes de pintura, partículas de polvo, combustibles volátiles o suspendidos en el aire o sustancias químicas desconocidas. Este es un calentador portátil sin ventilación. La unidad utiliza el aire (oxígeno) del espacio donde se usa. Será necesario suministrar suficiente aire para la combustión y la ventilación. Consulte "Ventilación" en la página 7. El almacenamiento de combustible a granel debe estar a un mínimo de 25 pies (7.6 m) del calentador.

⚠ ADVERTENCIA NO USE ESTE CALENTADOR HASTA HABER LEÍDO Y COMPRENDIDO TOTALMENTE ESTAS INSTRUCCIONES DE SEGURIDAD Y OPERACIÓN. El no cumplir con las precauciones e instrucciones proporcionadas con este calentador puede causar muertes, lesiones graves, pérdidas o daños materiales por el peligro de incendio, producción de hollín, explosiones, quemaduras, asfixia o envenenamiento por monóxido de carbono. Solamente personas que puedan leer y comprender estas instrucciones deben usar o dar servicio a este calentador.

⚠ ADVERTENCIA NO ENCIENDA EL CALENTADOR CUANDO SE HAYA ACUMULADO UN EXCESO DE ACEITE.

⚠ ADVERTENCIA NO ENCIENDA EL CALENTADOR CUANDO LA CÁMARA ESTÁ CALIENTE.

⚠ ADVERTENCIA Este producto contiene sustancias químicas, incluyendo plomo, conocidas en el estado de California como causantes de cáncer y defectos de nacimiento u otros daños reproductivos. Si desea más información, visite www.P65Warnings.ca.gov.

RESIDENTES DE MASSACHUSETTS: La ley del Estado de Massachusetts prohíbe el uso de este calentador en cualquier edificio que se utilice total o parcialmente para habitación de seres humanos. El uso de este dispositivo de calefacción en Massachusetts requiere la autorización del departamento de bomberos de la localidad (M.G.L.C. 148, Sección 10A).

RESIDENTES DE LA CIUDAD DE NUEVA YORK: El Código de Incendios de la ciudad de Nueva York prohíbe el almacenamiento, la manipulación y el uso de calentadores de queroseno para calentar espacios. Toda persona que infrinja esa disposición estará sujeta a una multa de hasta 10,000 dólares y una sentencia de prisión de hasta 6 meses.

LA INSTALACIÓN DE ESTE CALENTADOR DEBE CUMPLIR CON LAS REGLAS DE LAS AUTORIDADES QUE TENGAN JURISDICCIÓN.

 Busque este símbolo en el manual para encontrar consejos útiles sobre cómo armar, usar y limpiar su calentador OFR.

INFORMACIÓN DE SEGURIDAD (CONTINUÍA)

⚠️ ADVERTENCIA ¡RIESGO DE CONTAMINACIÓN DEL AIRE INTERIOR!

Los productos descritos en este manual son calentadores de aire forzado de fuego directo de queroseno. Los calentadores de aire forzado de queroseno están hechos expresamente para calefacción temporal de edificios en construcción, modificación o reparación. Fuego directo significa que todos los productos de combustión del calentador ingresan en el espacio calentado. Este aparato tiene una clasificación de 98% de eficiencia de combustión, pero produce pequeñas cantidades de monóxido de carbono.

⚠️ PELIGRO ¡LA INTOXICACIÓN POR MONÓXIDO DE CARBONO PUEDE CONDUCIR A LA MUERTE!

El monóxido de carbono es tóxico. Los seres humanos solo pueden tolerar pequeñas cantidades de monóxido de carbono, así que deben tomarse las medidas de precaución necesarias para suministrar una ventilación adecuada. No proporcionar la ventilación adecuada de acuerdo con este manual puede ocasionar la muerte.

Las personas con problemas respiratorios deben consultar con un médico antes de usar el calentador. Los primeros síntomas de envenenamiento por monóxido de carbono se parecen a los de la gripe. Los síntomas de ventilación inadecuada o envenenamiento por monóxido de carbono son:

**Dolor de cabeza • Mareo • Náusea • Boca seca
Dolor de garganta • Irritación de la nariz y los ojos**

Si tiene alguno de estos síntomas:

¡SALGA AL AIRE LIBRE DE INMEDIATO! Haga revisar su calentador y compruebe que la ventilación sea la adecuada. Algunas personas se ven más afectadas que otras por el monóxido de carbono. Por ejemplo: mujeres embarazadas, personas con problemas pulmonares o cardíacos, anemia o bajo la influencia del alcohol o en grandes altitudes.

PARA USO EN EXTERIORES. EL USO EN INTERIORES SÓLO SE PERMITE PARA: Calefacción temporal de edificios adecuadamente ventilados o estructuras en construcción, modificación o reparación. Proporcione una abertura de al menos tres pies cuadrados (0.28 metros cuadrados) al aire exterior por cada 100,000 BTU/h (29 kWh) que genere el calentador. Consulte "Ventilación" en la página 7 para obtener más instrucciones.

⚠️ ADVERTENCIA ¡RIESGO DE DESCARGA ELÉCTRICA!

SIEMPRE utilice la energía eléctrica (voltaje y frecuencia) que se indica en la placa de modelo del calentador. SIEMPRE use solamente tomacorrientes con conexión a tierra y cable de extensión de tres puntas. SIEMPRE utilice únicamente un cable de extensión de calibre 14 AWG o superior. SIEMPRE desconecte el calentador cuando no lo use. SIEMPRE instale el calentador de modo que no esté expuesto directamente a rocío de agua, lluvia, goteo de agua o viento. NUNCA use combustibles como gasolina, bencina, solventes de pintura u otros compuestos de aceite en este calentador. NUNCA rellene el tanque de combustible del calentador mientras esté en encendido o caliente. Este calentador genera CALOR EXTREMO cuando está encendido.

⚠️ ADVERTENCIA ¡RIESGO DE QUEMADURAS, INCENDIO Y EXPLOSIÓN!

NUNCA bloquee la salida de aire (al frente). NUNCA use conductos en la parte frontal del calentador. NUNCA mueva ni manipule el calentador mientras esté caliente. NUNCA transporte el calentador con combustible en el tanque. NUNCA lo use con un tanque de combustible externo. Mantenga todos los materiales combustibles lejos de este calentador.

Separación mínima entre el calentador y materiales combustibles

	80-OFR-O	125-OFR-O
Superior	4 pies (125 cm)	6 pies (185 cm)
Lados	4 pies (125 cm)	6 pies (185 cm)
Frente	8 pies (250 cm)	8 pies (250 cm)

Colóquelo SIEMPRE sobre una superficie estable y nivelada.

Si su calentador tiene un termostato, una vez que se enchufe, puede encenderse en cualquier momento según la configuración del termostato.

⚠️ ADVERTENCIA PRECAUCIÓN CALIENTE MIENTRAS ESTÉ EN FUNCIONAMIENTO. NO LO TOQUE. MANTENGA A NIÑOS, ANIMALES, ROPA Y COMBUSTIBLES LEJOS DEL CALENTADOR.

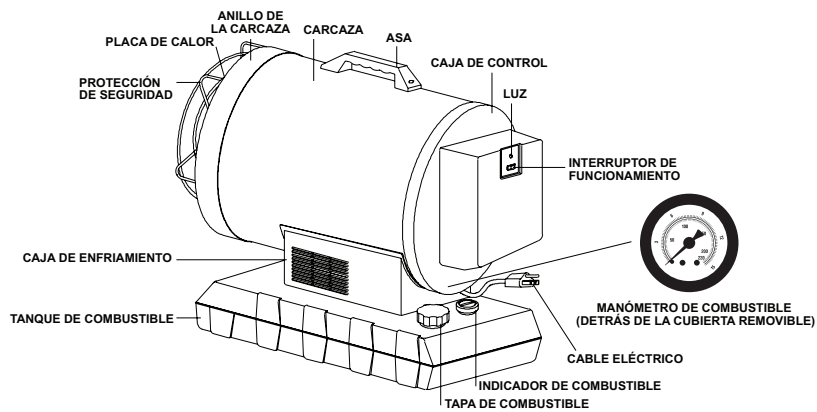
ESPECIFICACIONES

N.º de modelo	80-OFR-O	125-OFR-O
Capacidad nominal: Btu/H (kWh)	80,000 (23.4)	125,000 (36.6)
Consumo de combustible: Gal./H (L/H)	0.63 (2.4)	0.85 (3.2)
Capacidad del tanque: Gal. (L)	4 (15)	14 (53)
Horas máximas de funcionamiento:	6	20
Voltaje: CA/Hz	120 V / 60 Hz	120 V / 60 Hz
Amperaje	3.15	3.15
Área de calefacción - pies ² (m ²)	2000 (185)	3125 (290)

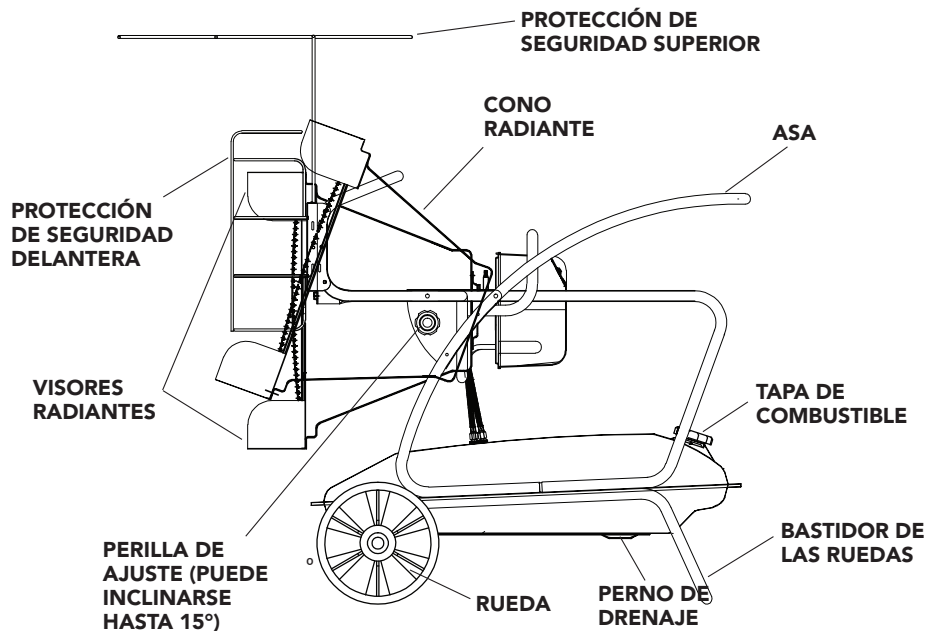
Las especificaciones pueden cambiar sin previo aviso.

CARACTERÍSTICAS

80-OFR-O



125-OFR-O



QUÉ HAY EN LA CAJA

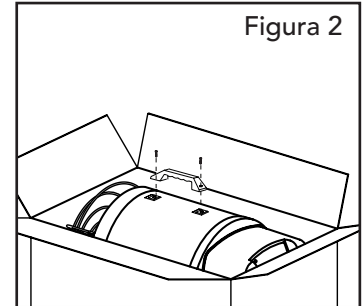
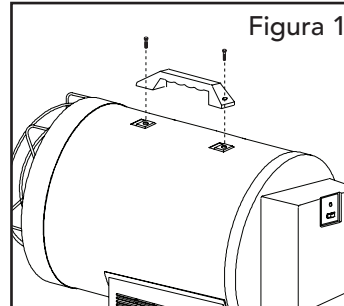
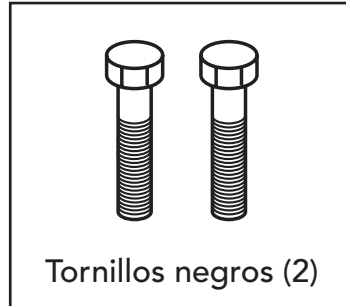
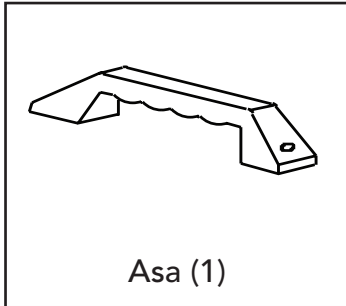
80-OFR-O

Herramientas necesarias:

- Destornillador Phillips



Coloque el asa cuando aún esté en la caja para facilitar el desempaque (vea las Figuras 1 y 2).

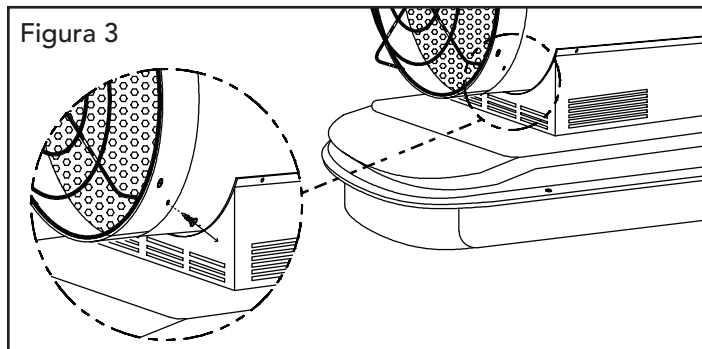


MONTAJE

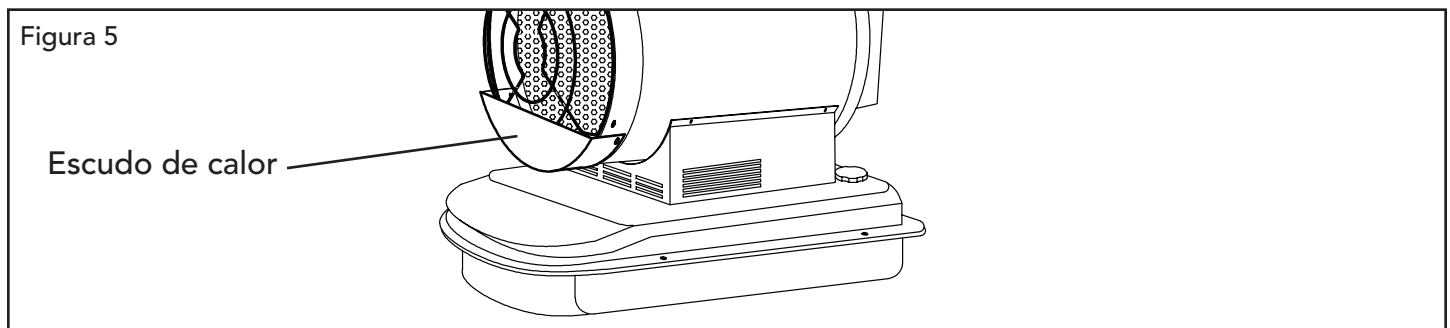
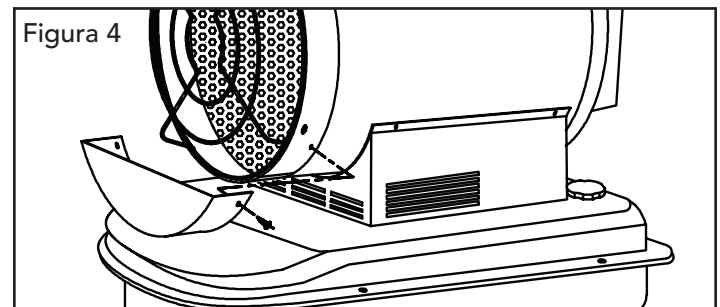
80-OFR-O

IMPORTANTE: INSTALE EL ESCUDO DE CALOR ANTES DE ENCENDER SU CALENTADOR 80-OFR-O

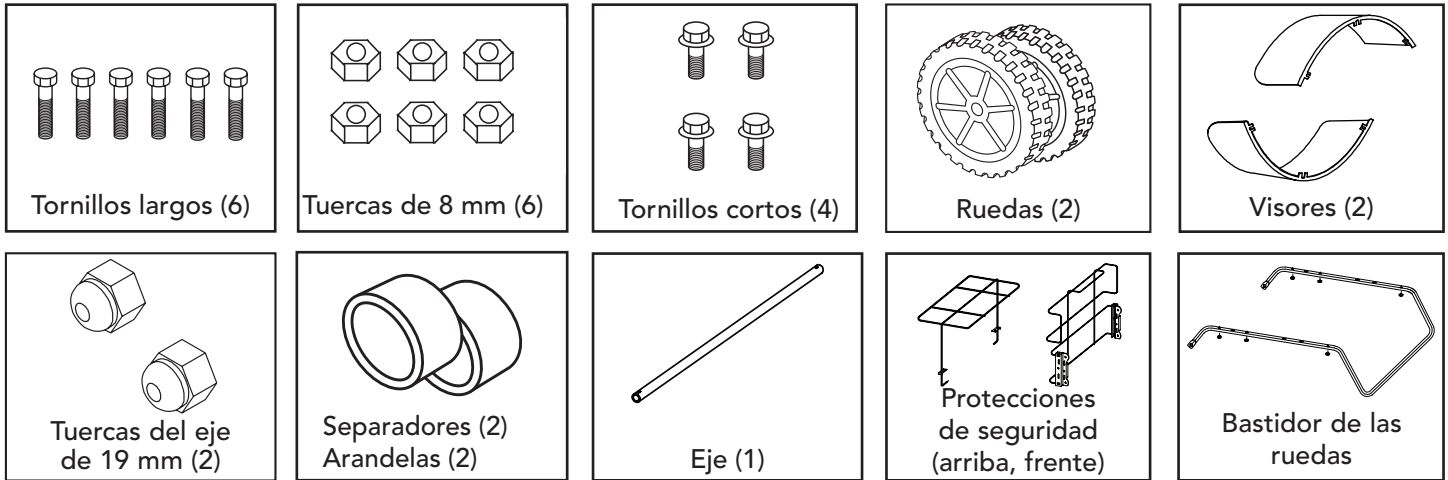
1. Retire los tornillos existentes del anillo de la coraza en ambos lados del calentador (vea la Figura 3).



2. Alinee los orificios del escudo de calor con los orificios del anillo de la coraza. Sujete con los tornillos que retiró en el paso 1 (vea las Figuras 4 y 5).

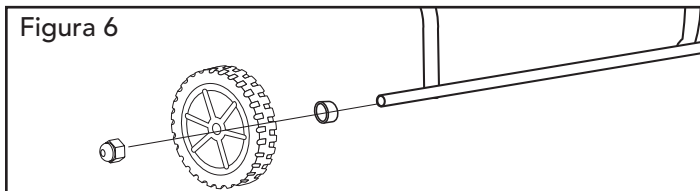


QUÉ HAY EN LA CAJA 125-OFR-O

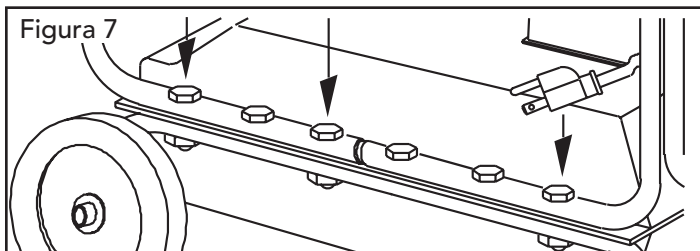


MONTAJE 125-OFR-O

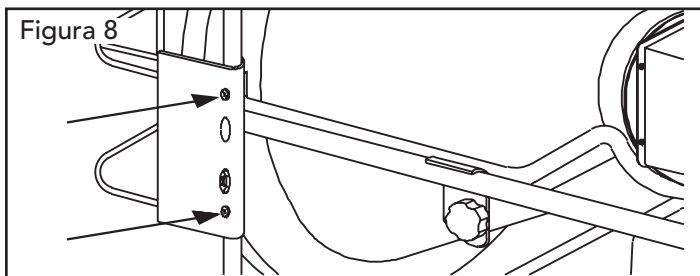
1. Deslice el eje a través del marco de las ruedas y sujete las ruedas, arandelas y tuercas (vea la Figura 6).



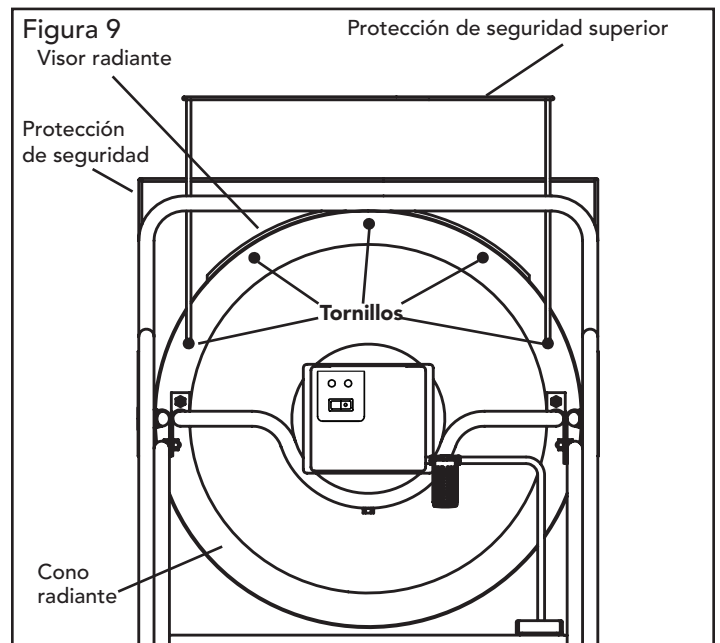
2. Coloque la estructura principal en el marco de las ruedas y ajústela con los tornillos largos suministrados (vea la Figura 7).



3. Instale la protección de seguridad en la parte delantera del calentador con los tornillos suministrados (Vea la Figura 8).



4. Sujete los visores radiantes a la parte trasera superior e inferior del cono radiante con los tornillos adicionales incluidos.



5. Sujete la protección de seguridad superior con los dos tornillos adicionales del extremo externo en la parte superior del cono radiante (vea la Figura 9).

Nota: Guarde la caja y los materiales de empaque para cuando guarde la unidad posteriormente.

FUNCIONAMIENTO

Llenar de combustible el calentador:

Queroseno

Para el desempeño óptimo de este calentador, se sugiere firmemente que se use queroseno. El queroseno se ha refinado para eliminar virtualmente todos los contaminantes, como el azufre, que pueden causar olor a huevos podridos durante el funcionamiento del calentador. Usar combustible diésel puede causar producción excesiva de hollín. No use Bio-diésel pues dañará los sellos y el filtro del calentador.

- Certificado por CSA para uso con queroseno K-1, diésel N.º 1 y 2, combustible JP8/Jet A, combustóleo N.º 1 y 2.

⚠ PELIGRO NUNCA LLENE DE COMBUSTIBLE ESTE CALENTADOR MIENTRAS ESTÉ CALIENTE O EN FUNCIONAMIENTO. ESO PUEDE OCASIONAR UN INCENDIO O UNA EXPLOSIÓN.

⚠ PRECAUCIÓN NUNCA LLENE EL TANQUE DE COMBUSTIBLE EN UN LUGAR INTERIOR. SIEMPRE LLENE EL TANQUE EN EXTERIORES. ASEGÚRESE DE QUE EL CALENTADOR ESTÉ EN UN SUELO NIVELADO CUANDO LLENE DE COMBUSTIBLE, Y NUNCA LLENE DEMASIADO EL TANQUE DE COMBUSTIBLE.

⚠ ADVERTENCIA NO USE GASOLINA O ESCURRIMIENTOS DEL CÁRTER

- NUNCA use un combustible como bencina, alcohol, gasolina blanca, combustible para hornos de campamento, diésel para uso agrícola, solventes de pintura u otros compuestos de aceite en este calentador. ESTOS SON COMBUSTIBLES VOLÁTILES QUE PUEDEN CAUSAR INCENDIOS O EXPLOSIONES.
- NUNCA almacene queroseno en el área habitable. El queroseno debe almacenarse en un área bien ventilada, fuera del espacio habitable.
- NUNCA almacene el queroseno expuesto directamente a la luz solar ni cerca de una fuente de calor.

- NUNCA utilice queroseno que se haya estado almacenado de una temporada a la siguiente. El queroseno se deteriora con el tiempo. EL queroseno VIEJO NO SE QUEMARÁ ADECUADAMENTE EN ESTE CALENTADOR.

NOTA: El queroseno debe almacenarse únicamente en un contenedor azul que esté claramente identificado con la palabra "queroseno". Nunca almacene queroseno en un contenedor rojo. El color rojo se asocia con la gasolina.

Ventilación:

⚠ PELIGRO ¡LA INTOXICACIÓN POR MONÓXIDO DE CARBONO PUEDE CONducIR A LA MUERTE!

- Riesgo de contaminación del aire interior y de envenenamiento por monóxido de carbono. Utilice el calentador sólo en áreas bien ventiladas.
- Consulte la Información de seguridad en las páginas 2-3 acerca del envenenamiento por monóxido de carbono.
- SIEMPRE provea una abertura para aire fresco en el espacio que caliente de por lo menos 3 pies cuadrados (0.28 metros cuadrados) por cada 100,00 BTU / h (29 kWh) de emisión del calentador. Si utiliza más calentadores, provea una abertura más grande.

Abertura de ventilación mínima necesaria	
80-OFR-O	125-OFR-O
2.4 pies ²	3.75 pies ²
0.22 m ²	0.35 m ²

FUNCIONAMIENTO (CONTINUÍA)

Encendido del calentador (Ignición):

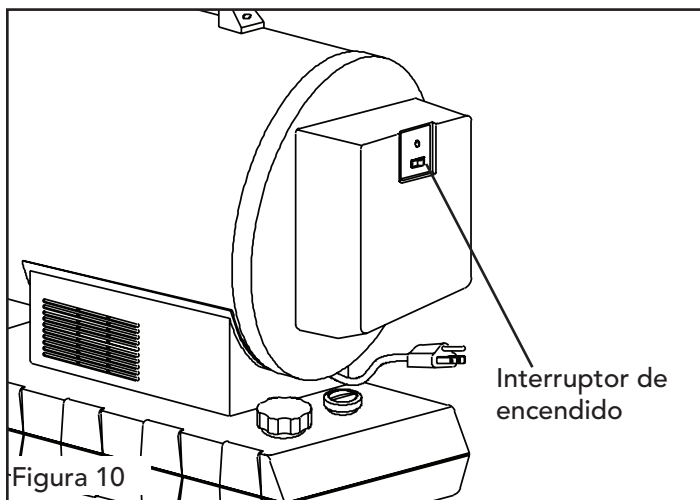
1. Llene el tanque de queroseno hasta que el indicador de combustible indique "F".
2. Reemplace la tapa de combustible y ajuste firmemente.
3. Conecte el calentador a una fuente de alimentación de tres puntas (con conexión a tierra). Debe usar un cable de extensión con tres puntas (con conexión a tierra) por lo menos de 6 pies (1.8 m) de largo y capacidad nominal mínima de 14 AWG.

NOTA: Al primer encendido o después del cargar combustible, se puede oír un chirrido justo antes de la ignición. Es la bomba de combustible que saca el aire de la tubería de combustible. Su calentador se encenderá en unos segundos. Si no se enciende, repita los procedimientos de encendido con el medidor de combustible indicando por lo menos 1/2 tanque.

NOTA: Puede producirse humo al primer encendido.

NOTA: Los componentes eléctricos de este calentador están protegidos por medio de un fusible que está montado en la placa de circuitos impresos. Si el calentador no se enciende, revise primero este fusible, y reemplácelo si es necesario. También revise la fuente de alimentación eléctrica para asegurarse que se esté suministrando el voltaje correcto al calentador.

1. Complete los pasos 1 a 3 descritos arriba.
2. Mueva el interruptor a la posición de encendido (ON). Se iluminará la luz indicadora de encendido y se encenderá el calentador (vea la Figura 10).



Apagado del calentador (enfriamiento):

1. Gire el interruptor de encendido a la posición de apagado (OFF). La combustión cesará y comenzará el ciclo de enfriamiento.
 - 80-OFR-O: aprox. 5 minutos
 - 125-OFR-O: aprox. 3 minutosQuando el ciclo de enfriamiento concluye el ventilador se detendrá y se podrá desenchufar el calentador sin peligro.

NOTA: Si se desenchufa la unidad antes de que concluya el ciclo de enfriamiento puede producirse un sobrecalentamiento, posibles daños al calentador y a la placa de calor.

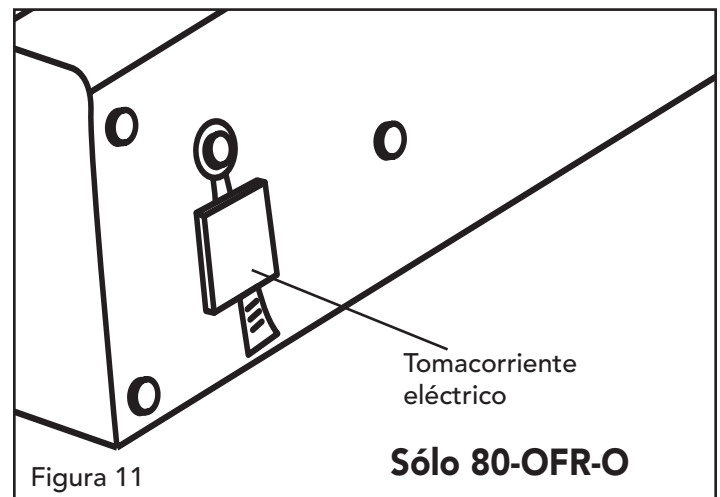
⚠ ADVERTENCIA NO desconecte el calentador de la fuente de alimentación hasta que haya terminado el ciclo de enfriamiento.

Volver a encender el calentador:

1. Espere diez segundos después de que haya terminado el ciclo de enfriamiento.
2. Siga todos los procedimientos de encendido anteriores.

Tomacorriente eléctrica (sólo 80-OFR-O):

- Nunca enchufe un aparato eléctrico con una capacidad de más de 5 amperios en este tomacorriente (vea la Figura 11).
- Siempre mantenga cubierto el tomacorriente cuando no lo use.



MANTENIMIENTO

Almacenamiento a largo plazo:

1. Desatornille la tapa del tanque de combustible.
2. Con un sifón aprobado, extraiga el queroseno o diésel.
3. Con una pequeña cantidad de queroseno, enjuague y haga girar el queroseno dentro del tanque de combustible.

NOTA: NUNCA MEZCLE AGUA CON COMBUSTIBLE. Esto causará óxido en el interior del tanque.

4. Vacíe completamente el tanque.

IMPORTANTE: Nunca almacene el queroseno sobrante entre temporadas. El uso de combustible viejo puede dañar su calentador. Almacene el calentador en un área seca y bien ventilada.

- Asegúrese que no haya polvo ni vapores corrosivos en el área de almacenamiento. Ponga el calentador en el empaque original. Conserve el Manual del usuario en un lugar de fácil acceso.

⚠ ADVERTENCIA

esté conectado o caliente!

¡Nunca dé servicio al calentador mientras

está conectado o caliente!

Servicio:

NO ALTERE LA UNIDAD. HAGA QUE UN TÉCNICO COMPETENTE HAGA LOS AJUSTES O REPARACIONES NECESARIAS.

Le sugerimos seguir un programa de mantenimiento como el siguiente:



CONSEJO: Siga las instrucciones de almacenamiento a largo plazo para vaciar el tanque.

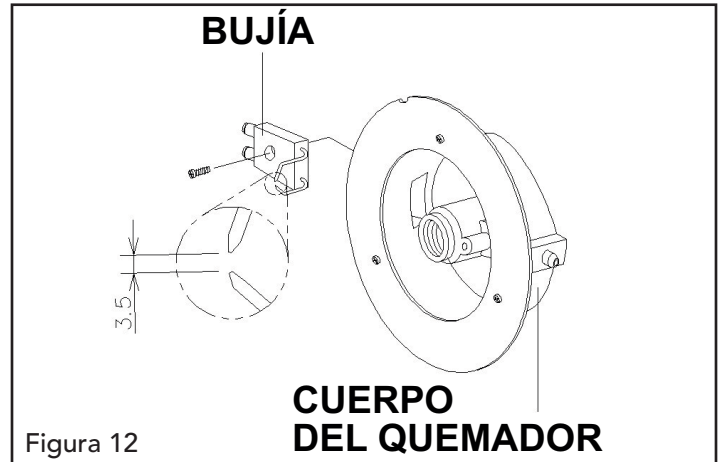
COMBUSTIBLE Y TANQUE DE COMBUSTIBLE:

Purgue el tanque después de cada 200 horas de funcionamiento o según sea necesario. NO use agua para purgar el tanque. Utilice únicamente queroseno 1-K reciente.

BUJÍA:

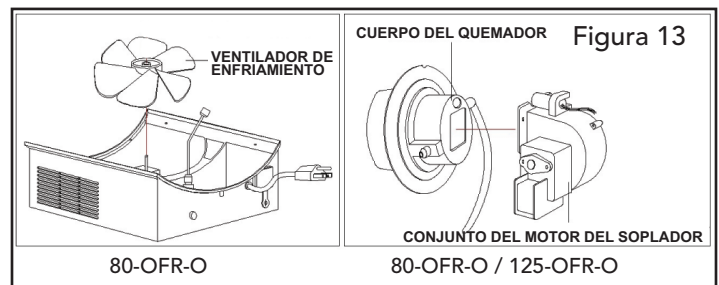
Límpiala y reajuste la separación entre los electrodos de la bujía después de cada 600 horas de funcionamiento, o reemplácela según sea necesario. Después de extraer la bujía, limpie las terminales con un cepillo de alambre.

Reajuste la separación de las terminales a 3.5 mm (0.140 pulg.) (vea la Figura 12).



ASPAS DEL VENTILADOR:

Las aspas del ventilador deben limpiarse al menos una vez por cada temporada de calefacción, dependiendo de sus condiciones. Limpie todas las acumulaciones de polvo y suciedad con un chorro de aire condensado (vea la Figura 13.)



AJUSTES DE LA PRESIÓN:

La presión adecuada depende del tipo de combustible con el que funcionará la unidad. Si sale humo o no se enciende, quite el panel inferior. Localice el tornillo Phillips con una tuerca en la bomba de combustible a la izquierda de la tubería de combustible. Encontrará una pequeña "P" junto al tornillo de presión. La presión ideal es de 112 PSI (7.7 bar).

Si sale humo o si escurre combustible de la unidad, gire el tornillo de 1/8 a 1/4 de vuelta hacia la derecha para aumentar la presión de combustible hasta que la unidad funcione adecuadamente.

Si salen flamas extensas del frente de la unidad, gire el tornillo de 1/8 a 1/4 de vuelta hacia la izquierda para reducir la presión de aire hasta que la unidad funcione adecuadamente.

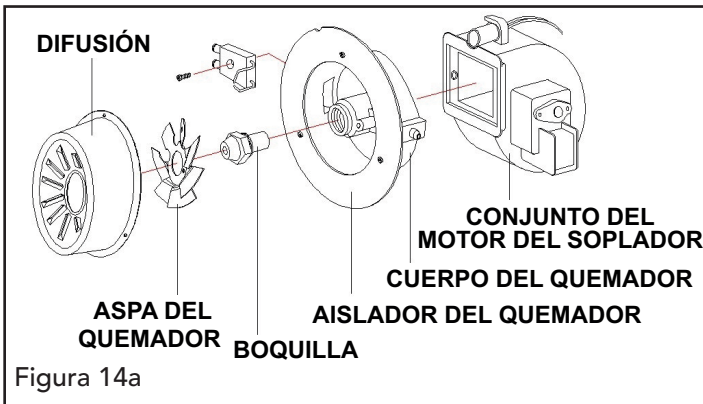
MANTENIMIENTO (CONT.)

Servicio (Continuación):

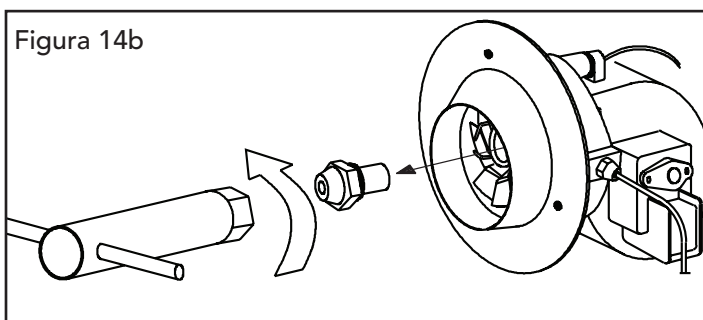
BOQUILLAS:

Las boquillas deben limpiarse o reemplazarse al menos una vez por cada temporada de calefacción. El combustible contaminado podría hacer que esto sea necesario de inmediato. Para limpiar la boquilla, sople aire comprimido a través del frente de la boquilla. Es posible que sea necesario remojar la boquilla en queroseno o diésel para facilitar que se aflojen las partículas (vea las Figuras 14a y 14b).

Boquilla 80-OFR-O

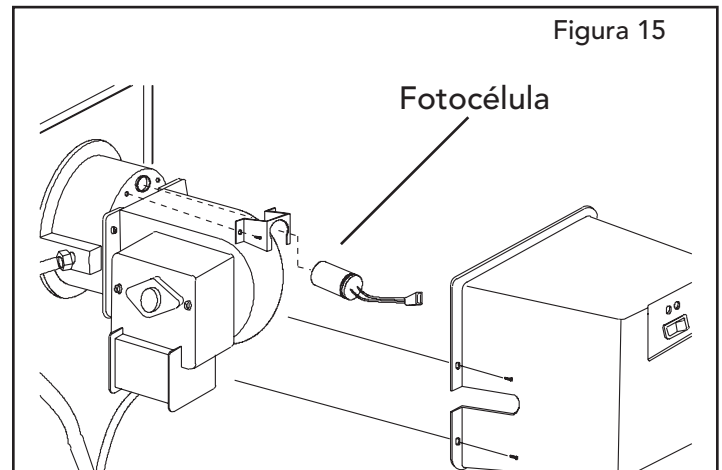


Boquilla 125-OFR-O



FOTOCÉLULA:

La fotocélula debe limpiarse al menos una vez por cada temporada de calefacción o más según las condiciones en que esté. Utilice un hisopo de algodón remojado en agua o alcohol para limpiar la lente de la fotocélula. Asegúrese de reinstalar la fotocélula en la posición correcta como se indica abajo (vea la Figura 15).

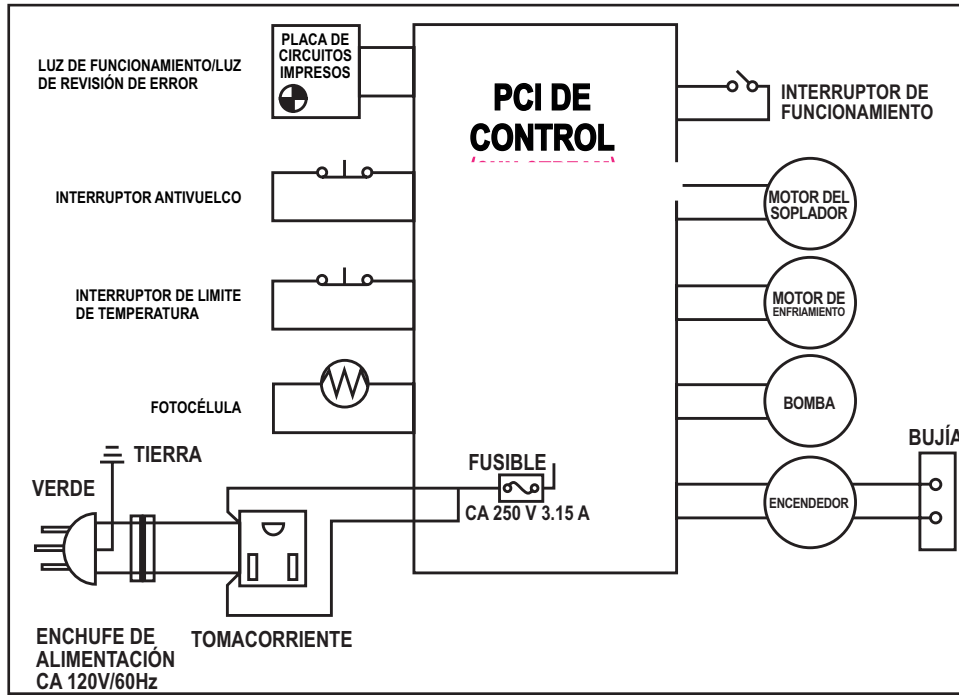


FILTROS:

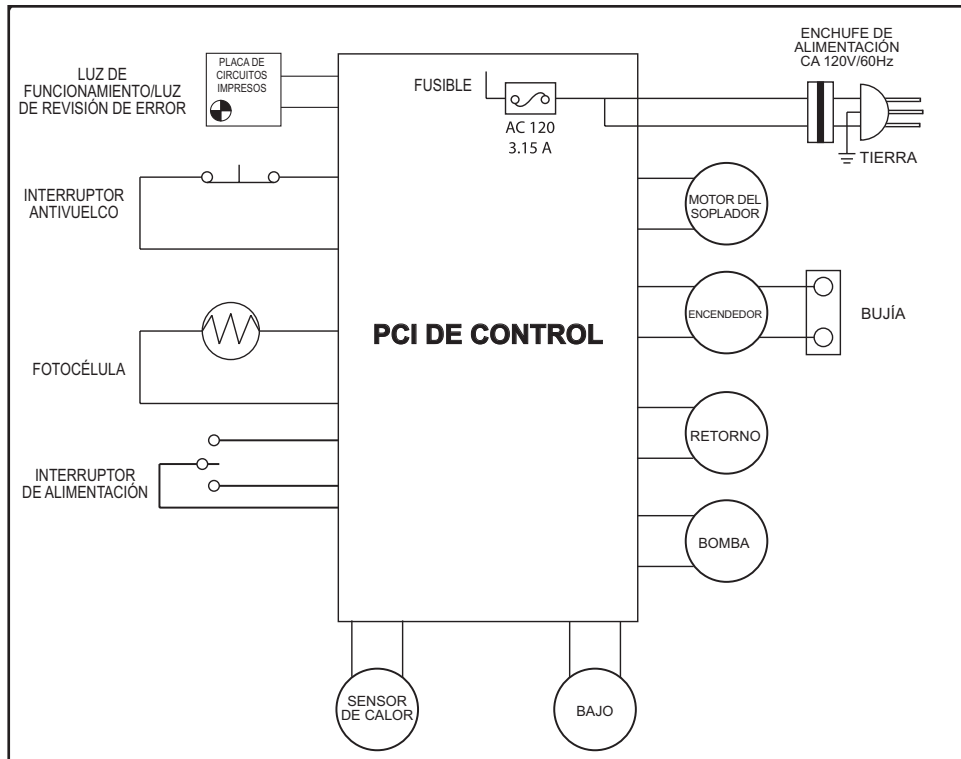
El filtro de combustible y el filtro de aceite deben limpiarse al menos dos veces por cada temporada de calefacción, enjuagándolos en queroseno o diésel limpio. Si el combustible está contaminado o viejo, es necesario limpiar los filtros de inmediato.

DIAGRAMAS ELÉCTRICOS

80-OFR-O



125-OFR-O

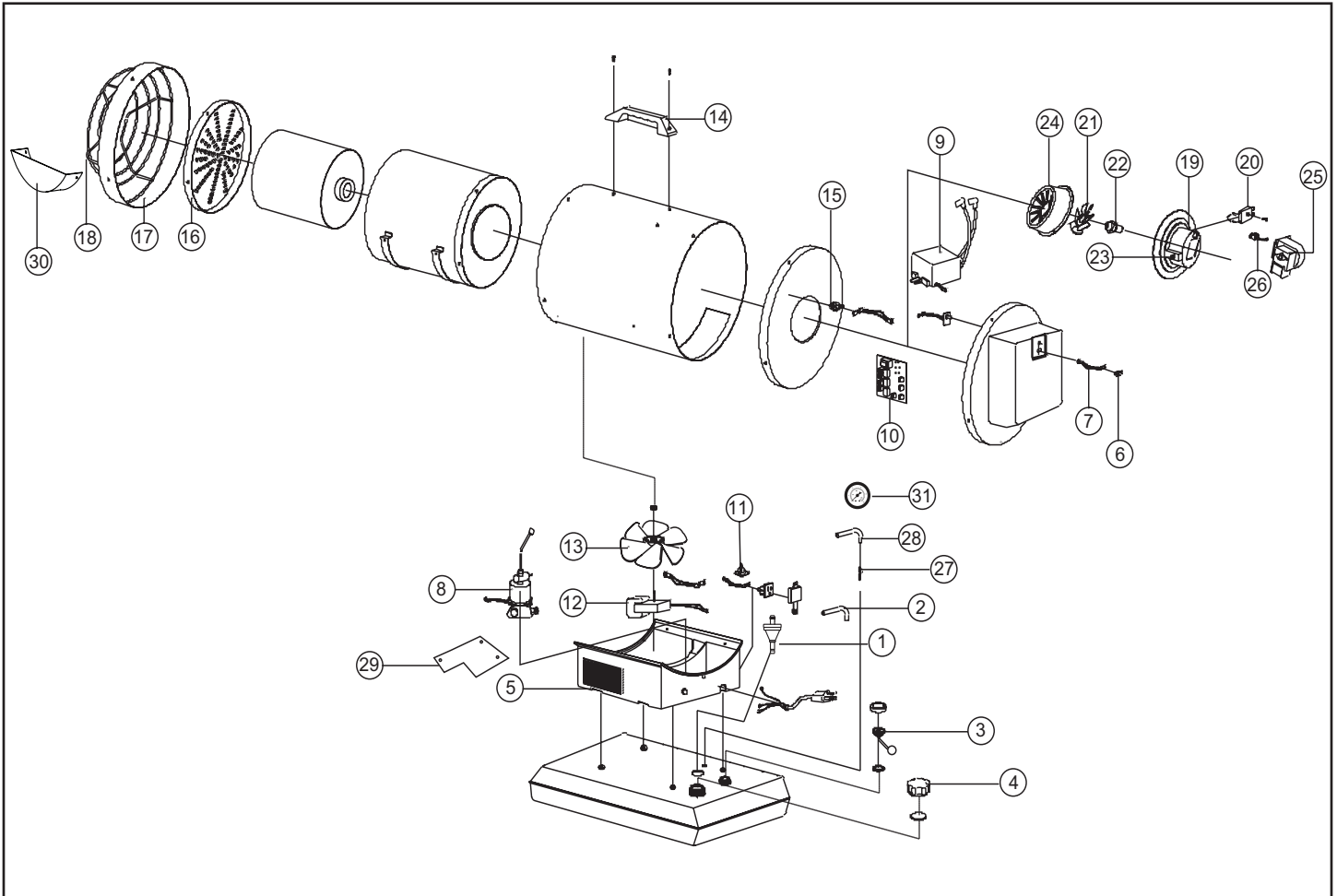


GUÍA PARA LA SOLUCIÓN DE PROBLEMAS

Problema	Posible causa	Solución
El calentador se enciende, pero se apaga después de poco tiempo.	<ol style="list-style-type: none"> 1. Filtro de combustible sucio. 2. Boquilla sucia. 3. Fococélula sucia. 4. Fococélula mal instalada. 5. Fococélula defectuosa. 6. Mala conexión eléctrica entre la placa de circuitos y la fococélula. 7. Ventilador de enfriamiento obstruido. 8. Presión incorrecta. 	<ol style="list-style-type: none"> 1. Limpie o reemplace el filtro de combustible. 2. Limpie o reemplace la boquilla. 3. Limpie o reemplace la fococélula. 4. Ajuste la posición de la fococélula. 5. Reemplace la fococélula. 6. Revise las conexiones eléctricas (consulte los Diagramas eléctricos en la página 11). 7. Verifique que el ventilador de enfriamiento no esté obstruido. 8. Ajuste la presión de la bomba.
El calentador no funciona o el motor funciona por poco tiempo.	<ol style="list-style-type: none"> 1. No hay queroseno en el tanque de combustible. 2. Bujía oxidada o separación incorrecta entre los electrodos de la bujía. 3. Filtro de combustible sucio. 4. Boquilla sucia. 5. Humedad en el combustible o en el tanque de combustible. 6. Mala conexión eléctrica entre el transformador y la placa de circuitos. 7. Cables del transformador no conectados a la bujía. 8. Transformador defectuoso. 	<ol style="list-style-type: none"> 1. Llene el tanque con queroseno/diésel fresco. 2. Limpie o reemplace la bujía. 3. Limpie o reemplace el filtro de combustible. 4. Limpie o reemplace la boquilla. 5. Enjuague el interior del tanque con queroseno o diésel nuevo y limpio 6. Inspeccione todas las conexiones eléctricas. (Consulte los Diagramas eléctricos en la página 11). 7. Reconecte los cables del transformador a la bujía. 8. Reemplace el transformador.
El ventilador no funciona cuando el calentador está enchufado y el interruptor de alimentación está en la posición de encendido (ON).	<ol style="list-style-type: none"> 1. Conexión eléctrica interrumpida entre la placa de circuitos y el motor. 2. No hay suficiente amperaje para activar el calentador. 	<ol style="list-style-type: none"> 1. Inspeccione todas las conexiones eléctricas que aparecen en los diagramas eléctricos (página 11). 2. Utilice un cable de extensión nuevo o pruebe con otro enchufe eléctrico.
El calentador emite un chirrido.	<ol style="list-style-type: none"> 1. Aire en la bomba de combustible. 	<ol style="list-style-type: none"> 1. El sonido parará después de 3 segundos. Si el chirrido continúa, añada combustible al tanque.
El calentador no se enciende y la luz está apagada.	<ol style="list-style-type: none"> 1. El sensor de límite de temperatura se ha calentado demasiado. 2. No hay energía eléctrica. 3. Se quemó el fusible. 4. Mala conexión eléctrica entre el sensor de límite de temperatura y la placa de circuitos. 	<ol style="list-style-type: none"> 1. Ponga el interruptor de encendido en la posición de apagado (OFF) y deje que el calentador se enfríe durante 5 minutos. Ponga el interruptor de encendido nuevamente en la posición de encendido (ON). 2. Revise el cable eléctrico y el cable de extensión para asegurarse que haya una buena conexión eléctrica. Compruebe la fuente de alimentación. 3. Revise y remplace el fusible si es necesario. 4. Inspeccione todas las conexiones eléctricas. (Consulte los Diagramas eléctricos en la página 11).
Mala combustión o producción de hollín.	<ol style="list-style-type: none"> 1. Presión de la bomba 2. Mala calidad de combustible 	<ol style="list-style-type: none"> 1. Asegúrese que la presión de la bomba esté ajustada correctamente. 2. Asegúrese que el queroseno/diésel no esté viejo ni contaminado.

VISTA DETALLADA

80-OFR-O

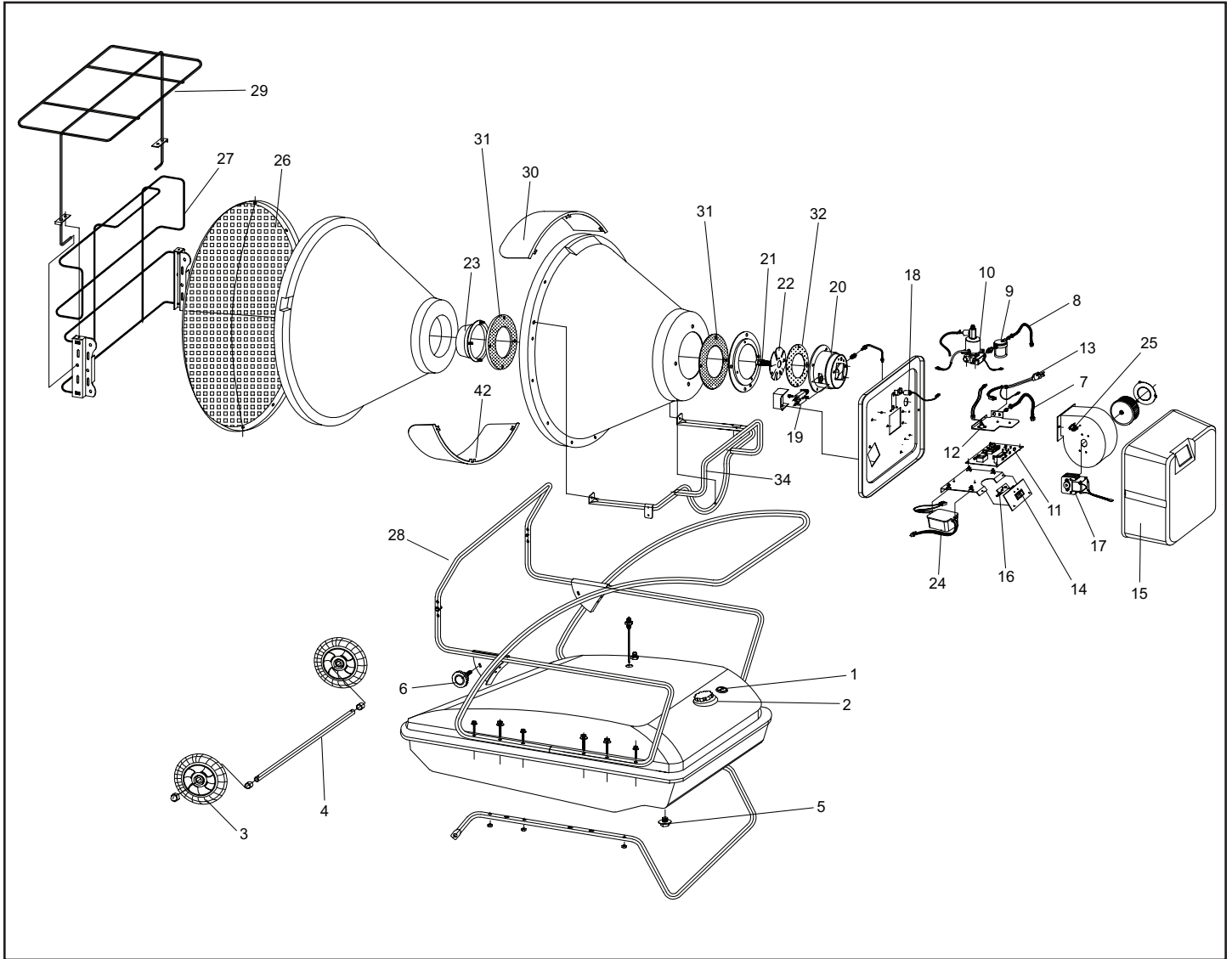


LISTA DE PIEZAS:**80-OFR-O**

Pieza #	Descripción	Número de pieza
1	Filtro de combustible	75-023-0285
2	Tubería de combustible	75-024-0740
3	Indicador de combustible	75-028-0200
4	Tapa de combustible	70-006-0140
5	Cubierta del ventilador de enfriamiento / panel de la cubierta del ventilador de enfriamiento	75-011-0685 / 75-011-0690
6	Interruptor de funcionamiento	75-012-0120
7	Cable del interruptor de funcionamiento	75-012-0220
8	Bomba eléctrica	75-027-0650
9	Encendedor	75-025-0120
10	Conjunto de la placa de circuitos impresos principal	75-025-0400
11	Interruptor antivuelco	75-051-0200
12	Conjunto del motor de enfriamiento	75-047-0250
13	Ventilador de enfriamiento	75-047-0200
14	Asa	75-001-0060
15	Interruptor de límite de temperatura	75-040-0100
16	Placa de calor	75-012-0600
17	Anillo de la coraza	75-011-0650
18	Protección de seguridad	75-012-0310
19	Cuerpo del quemador	75-036-0180
20	Bujía	75-075-0200
21	Aspa del quemador	75-036-0120
22	Boquilla	75-036-0460
23	Niple	75-040-0610
24	Tapa de difusión	75-036-0500
25	Conjunto del motor del ventilador	75-045-0200
26	Fotocélula	72-038-0200
27	Manguera de retorno	75-055-0100
28	Manguera de retorno	75-024-0745
29	Soporte de la bomba electrónica	75-027-0255
30	Escudo de calor	75-012-0320
31	Manómetro de combustible	70-028-0200

VISTA DETALLADA

125-OFR-O



LISTA DE PIEZAS:**125-OFR-O**

Pieza #	Descripción	125-OFR-O
1	Filtro de combustible	72-022-0100
2	Tapa de combustible	70-006-0130
3	Rueda	70-041-1400
4	Eje	72-041-0200
5	Perno de drenaje	72-002-0220
6	Perilla de ajuste de la altura	72-042-0500
7	Tubería de retorno de combustible	72-023-0260
8	Tubería de entrada de combustible	72-023-0260
9	Conjunto del filtro de combustible	72-020-0100
10	Bomba de combustible	72-027-0100
11	Placa de circuitos impresos principal y fusible	72-025-0450
12	Interruptor antivuelco	75-051-0200
13	Cable eléctrico	72-032-0150
14	Interruptor de encendido	72-012-0120
15	Cubierta posterior	72-013-0110
16	Sub-PCI del panel	72-014-0100
17	Conjunto del motor del ventilador	72-045-0100
18	Fotocélula	72-038-0200
19	Bujía	75-075-0200
20	Cuerpo del quemador	72-035-0210
21	Boquilla	72-036-0100
22	Aspa del quemador	72-035-0510
23	Tapa de difusión	72-036-0210
24	Encendedor	72-037-0350
25	Sensor de sobrecalentamiento	72-040-0100
26	Placa de calor	72-012-0400
27	Protección de seguridad	72-012-0200
28	Bastidor frontal	72-042-0410
29	Protección de seguridad superior	72-012-0250
30	Visores radiantes	72-012-0220
31	Empaques del cono radiante	72-035-0630
32	Conjunto de la cubierta del quemador	72-035-0615

GARANTÍA LIMITADA

Pinnacle Climate Technologies, Inc. garantiza este calentador únicamente al comprador minorista original, como libre de defectos en materiales y mano de obra por un periodo de un (1) año a partir de la fecha de la compra inicial. Este producto debe instalarse, mantenerse y usarse correctamente de acuerdo con las instrucciones suministradas.

Pinnacle Climate Technologies, Inc. requiere un comprobante razonable de su fecha de compra a un minorista o distribuidor autorizado. Por lo tanto, debe conservar su recibo de venta, factura o cheque cancelado de la compra original. Esta Garantía Limitada se limitará a la reparación o reemplazo de piezas que resulten defectuosas durante el uso y servicio normales dentro del periodo de la garantía, lo cual determinará **Pinnacle Climate Technologies, Inc.** a su criterio razonable.

Esta garantía no se aplica a los productos comprados para uso en alquiler.

Esta Garantía Limitada no cubre fallas o dificultades de funcionamiento debidas a uso y desgaste normales, accidente, abuso, uso inadecuado, modificación, mala aplicación, instalación inadecuada o mantenimiento y servicio inadecuados por usted o algún tercero. Tampoco cubre el daño por falta de mantenimiento normal y de rutina al calentador, el daño en el envío, daño relacionado con insectos, aves o animales de cualquier tipo y daños causados por condiciones climáticas. Además, la Garantía Limitada no cubre daños en el acabado como rayones, abolladuras, decoloración, corrosión u otros daños causados por el clima después de la compra.

Todos los costos de transporte para devolver un producto o piezas dañadas serán responsabilidad del comprador. Previa recepción del artículo dañado, **Pinnacle Climate Technologies, Inc.** examinará el artículo y determinará si está defectuoso. **Pinnacle Climate Technologies, Inc.** reparará o reemplazará y devolverá el artículo, con el flete pagado por adelantado.

Cómo localizar su número de serie:

El número de serie lo puede encontrar en la etiqueta azul en el lado derecho de la cubierta. Empieza con la letra "S" seguida por 9 dígitos. Por ejemplo: S160901126. Tenga su número de serie a la mano antes de llamar al servicio al cliente al 866-676-1989.

N.º de modelo: _____

N.º de serie: _____

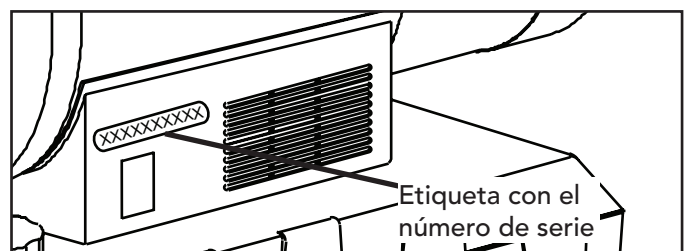
Fecha de compra: _____

Si **Pinnacle Climate Technologies, Inc.** descubre que el artículo está en condiciones normales de funcionamiento o que no está defectuoso, se devolverá el artículo con el flete por cobrar. Esta Garantía Limitada reemplaza a todas las demás garantías expresas. **Pinnacle Climate Technologies, Inc.** se desiste de todas las garantías de productos que se compren a vendedores que no sean distribuidores o concesionarios autorizados.

DESPUÉS DE QUE VENZA EL PERIODO DE UN (1) AÑO DE LA GARANTÍA EXPRESA, **Pinnacle Climate Technologies, Inc.** SE DESISTE DE TODAS Y CADA UNA DE LAS GARANTÍAS IMPLÍCITAS, INCLUIDAS, SIN LIMITACIONES, LAS GARANTÍAS IMPLÍCITAS DE COMERCIALIZACIÓN Y APTITUD PARA UNA APLICACIÓN EN PARTICULAR. ADEMÁS, **Pinnacle Climate Technologies, Inc.** NO TENDRÁ RESPONSABILIDAD ALGUNA ANTE EL COMPRADOR O CUALQUIER TERCERO POR DAÑOS ESPECIALES, INDIRECTOS, PUNITIVOS, INCIDENTALES O EMERGENTES. **Pinnacle Climate Technologies, Inc.** no asume responsabilidad alguna por cualquier defecto ocasionado por terceros. Esta Garantía Limitada otorga al comprador derechos legales específicos; el comprador podría tener otros derechos, dependiendo de dónde viva. Algunos estados no permiten la exclusión o limitación de daños especiales, incidentales o emergentes o limitaciones a la duración de una garantía, así que la exclusión y las limitaciones anteriores podrían no aplicarse en su caso.

Pinnacle Climate Technologies, Inc. no autoriza a persona o compañía alguna a asumir en su nombre alguna otra obligación o responsabilidad relacionada con la venta, instalación, uso, retiro, devolución o reemplazo de su equipo, y ninguna declaración en ese sentido es vinculante para **Pinnacle Climate Technologies, Inc.**

Asegúrese siempre de especificar el número de modelo y número de serie cuando haga algún reclamo a **Pinnacle Climate Technologies, Inc.** Para su comodidad, use el espacio provisto abajo para indicar esta información.





1 Industrial Blvd #101, Sauk Rapids, MN 56379 USA • Llamada sin costo (866) 676-1989
Fax: 320-251-2922 • Sitio web: www.remingtonheater.com • Correo electrónico: info@pinnacleclimate.com