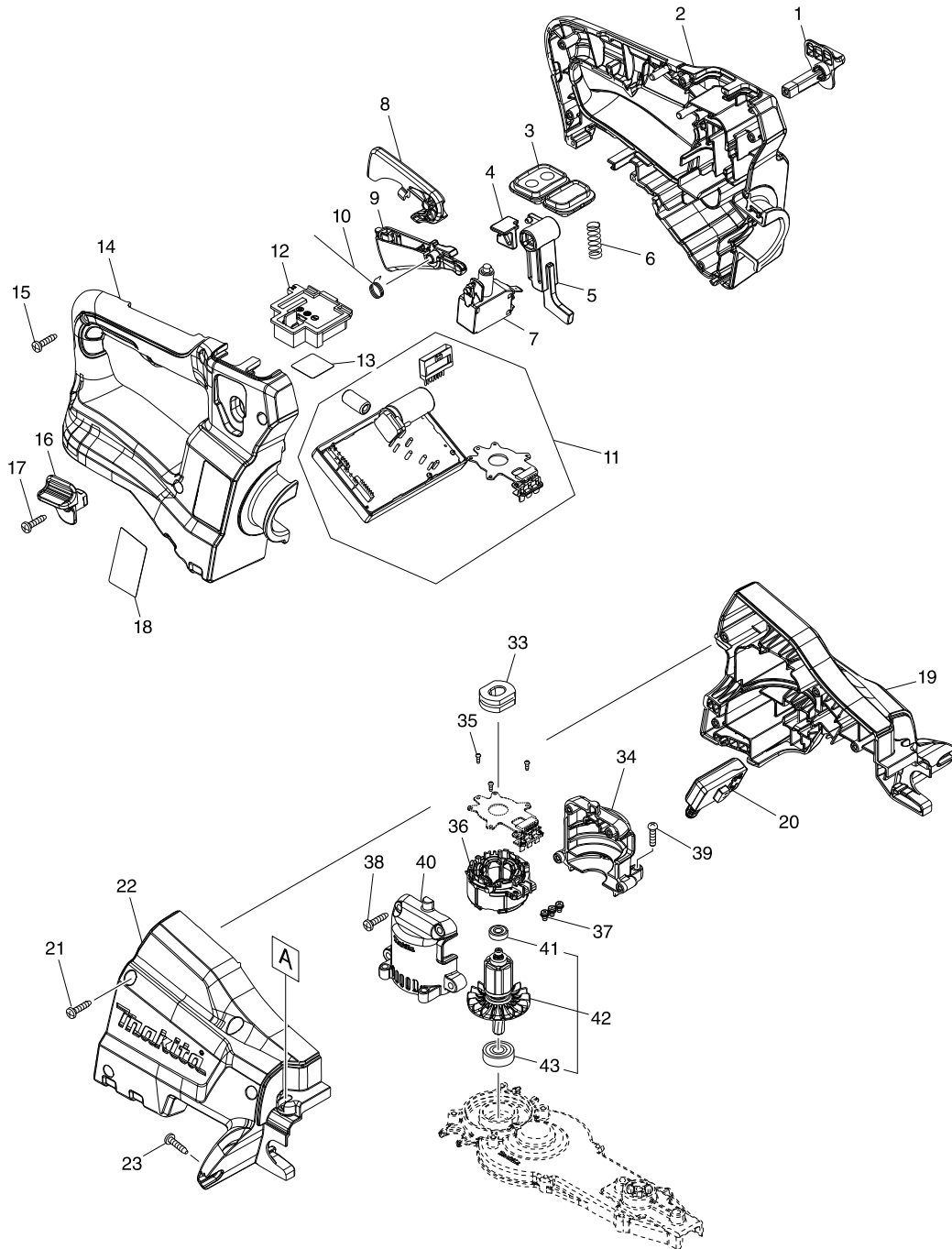


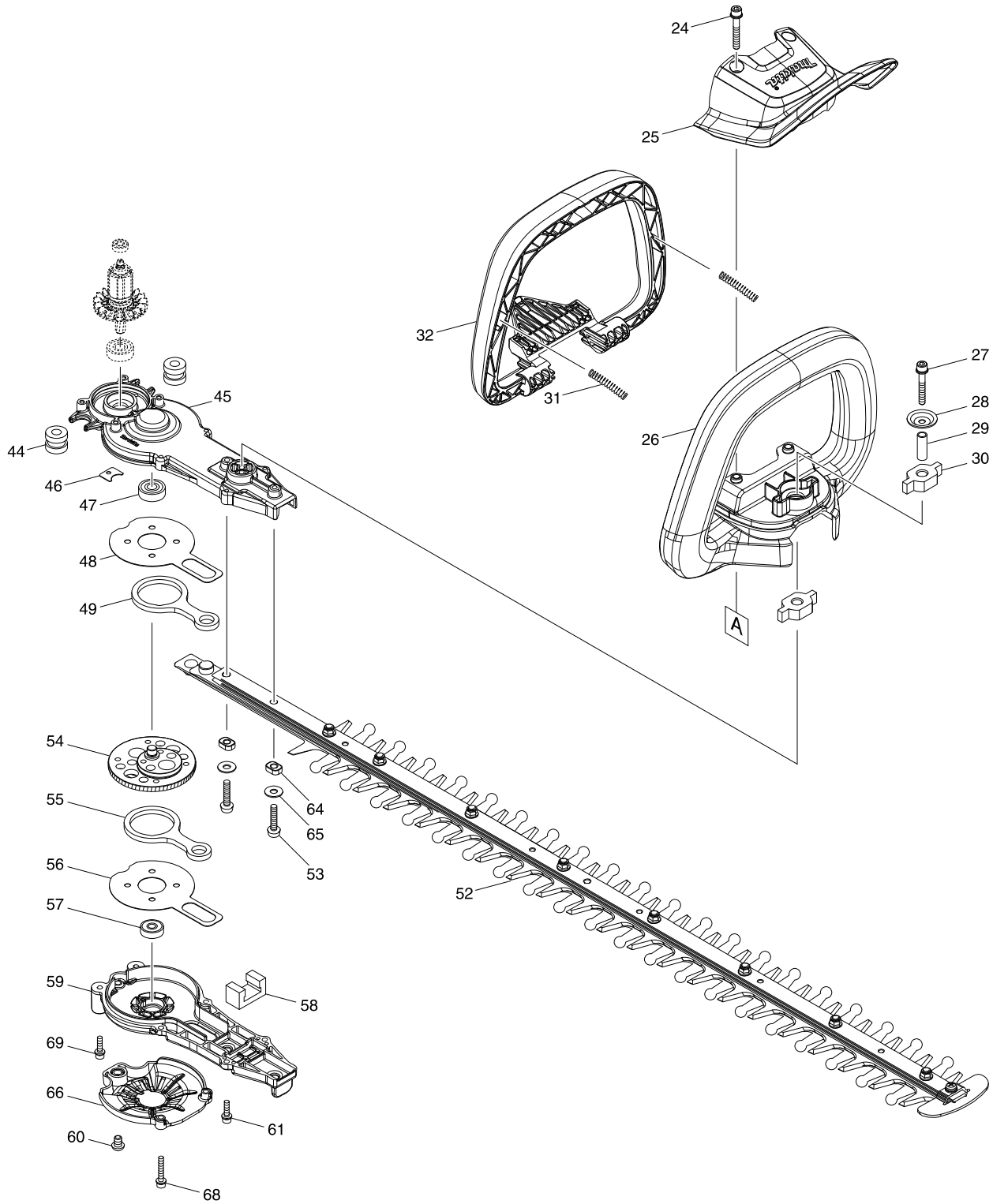


XHU08



Products with multiple versions are listed in subsiding order with the newest version on top not indented.

| Section | Fig. No. | Part No. | Description | XHU08 | Tech Bulletin | Notes |
|---------|----------|----------|-------------------------|-------|---------------|------------|
| 1 | 1 | 458406-0 | LOCK LEVER L | 1 | | |
| 1 | 2 | 183J69-0 | HANDLE SET | 1 | | INC 14 |
| 1 | 3 | 140A04-7 | SUB CONTROLLER COMPLETE | 1 | | |
| 1 | 4 | 458570-7 | SLIDER | 1 | | |
| 1 | 5 | 458405-2 | LOCK ARM | 1 | | |
| 1 | 6 | 234204-4 | COMPRESSION SPRING 8 | 1 | | |
| 1 | 7 | 650781-2 | SWITCH C3JW-6B-P | 1 | | |
| 1 | 8 | 458403-6 | LOCK OFF LEVER | 1 | | |
| 1 | 9 | 458404-4 | SWITCH LEVER R | 1 | | |
| 1 | 10 | 232454-5 | TORSION SPRING 10 | 1 | | |
| 1 | 11 | 620818-9 | CONTROLLER | 1 | | |
| 1 | 12 | 644809-6 | TERMINAL | 1 | | |
| 1 | 13 | 855G71-2 | XHU08 SERIAL NO. LABEL | 1 | | |
| 1 | 14 | 183J69-0 | HANDLE SET | 1 | | INC 2 |
| 1 | 15 | 266326-2 | TAPPING SCREW 4X18 | 6 | | |
| 1 | 16 | 458407-8 | LOCK LEVER R | 1 | | |
| 1 | 17 | 266326-2 | TAPPING SCREW 4X18 | 1 | | |
| 1 | 18 | 855G65-7 | XHU08 NAME PLATE | 1 | | |
| 1 | 19 | 183K21-4 | HOUSING SET | 1 | | INC 22 |
| 1 | 20 | 651083-9 | SWITCH C3XA-1PSPM | 1 | | |
| 1 | 21 | 266326-2 | TAPPING SCREW 4X18 | 4 | | |
| 1 | 22 | 183K21-4 | HOUSING SET | 1 | | INC 19 |
| 1 | 23 | 266326-2 | TAPPING SCREW 4X18 | 2 | | |
| 1 | 33 | 422261-6 | RUBBER SLEEVE | 1 | | |
| 1 | 34 | 183J52-7 | MOTOR HOUSING SET | 1 | | INC 40 |
| 1 | 35 | 266490-9 | TAPPING SCREW PT 2X6 | 3 | | |
| 1 | 36 | 629352-6 | STATOR | 1 | | |
| 1 | 37 | 652069-6 | FLAT HEAD SCREW M3X6 | 3 | | |
| 1 | 38 | 266326-2 | TAPPING SCREW 4X18 | 4 | | |
| 1 | 39 | 265178-8 | PAN HEAD SCREW M4X16 | 4 | | |
| 1 | 40 | 183J52-7 | MOTOR HOUSING SET | 1 | | INC 34 |
| 1 | 41 | 211157-4 | BALL BEARING 695ZZ | 1 | | |
| 1 | 42 | 519557-5 | ROTOR ASSY | 1 | | INC 41, 43 |
| 1 | 43 | 211031-6 | BALL BEARING 608ZZ | 1 | | |
| 1 | 43 | 211032-4 | BALL BEARING 608ZZ | 1 | | |



Products with multiple versions are listed in subsiding order with the newest version on top not indented.

| Section | Fig. No. | Part No. | Description | XHU08 | Tech Bulletin | Notes |
|---------|----------|----------|-------------------------------|-------|---------------|--------------|
| 2 | 24 | 265182-7 | + PAN HEAD SCREW M5X25 | 2 | | |
| 2 | 25 | 458399-1 | PROTECTOR | 1 | | |
| 2 | 26 | 458400-2 | FRONT GRIP E | 1 | | |
| 2 | 27 | 251476-6 | H.S.H.BOLT M5X35 WITH WR | 1 | | |
| 2 | 28 | 253416-0 | DISH WASHER 5 | 1 | | |
| 2 | 29 | 257678-2 | SLEEVE 6 | 1 | | |
| 2 | 30 | 422260-8 | RUBBER SLEEVE 8 | 2 | | |
| 2 | 31 | 233222-9 | COMPRESSION SPRING 5 | 2 | | |
| 2 | 32 | 458402-8 | SWITCH LEVER F | 1 | | |
| 2 | 44 | 422259-3 | RUBBER SLEEVE 8 | 2 | | |
| 2 | 45 | 140F22-5 | GEAR HOUSING COMPLETE | 1 | | |
| 2 | 46 | 458417-5 | GASKET | 1 | | |
| 2 | 47 | 211031-6 | BALL BEARING 608ZZ | 1 | | |
| 2 | 47 | 211032-4 | BALL BEARING 608ZZ | 1 | | |
| 2 | 48 | 347361-0 | FRICTION PLATE | 1 | | |
| 2 | 49 | 347362-8 | CONNECTING ROD | 1 | | |
| 2 | 52 | 199102-8 | SHEAR BLADE ASSEMBLY 750A SET | 1 | | INC 64, 65 |
| 2 | 53 | 265182-7 | + PAN HEAD SCREW M5X25 | 2 | | |
| 2 | 54 | 140B80-7 | GEAR COMPLETE | 1 | | |
| 2 | 55 | 347362-8 | CONNECTING ROD | 1 | | |
| 2 | 56 | 347361-0 | FRICTION PLATE | 1 | | |
| 2 | 57 | 211499-6 | BALL BEARING 626ZZ | 1 | | |
| 2 | 58 | 443159-4 | SEAL | 1 | | |
| 2 | 59 | 140B62-9 | GEAR HOUSING COVER COMPLETE | 1 | | |
| 2 | 60 | 265338-2 | H.S.BOTTON HEAD BOLT M6X8 | 1 | | |
| 2 | 61 | 265A29-1 | HEX. SOCKET HEAD BOLT M4X16WR | 2 | | |
| 2 | 64 | 313211-1 | SLEEVE 5 | 2 | | |
| 2 | 65 | 253804-1 | FLAT WASHER 6 | 2 | | |
| 2 | 66 | 458907-8 | UNDER COVER | 1 | | |
| 2 | 68 | 265698-2 | HEX. SOCKET HEAD BOLT M4X25WR | 2 | | |
| 2 | 69 | 265A29-1 | HEX. SOCKET HEAD BOLT M4X16WR | 2 | | |
| A01 | | 459122-7 | BLADE COVER 750S | 1 | | NOT PICTURED |