

Features

- Rectangular basin.
- Overflow drain.
- No faucet holes; requires wall- or counter-mount faucet.
- Fits standard 14" x 17" countertop cutout.
- Coordinates with other products in the Elmbrook™ collection.

Material

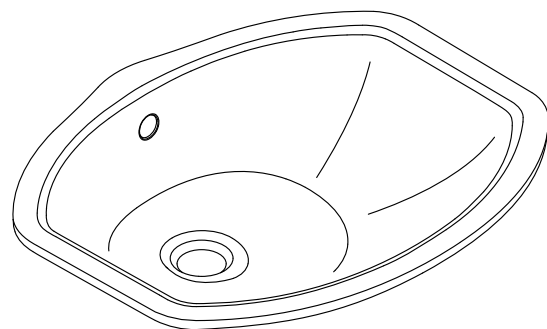
- Vitreous china.

Installation

- Under-mount.

Components

Additional included component/s: 1193643.



ADA CSA B651

Codes/Standards

ASME A112.19.2/CSA B45.1

ADA

ICC/ANSI A117.1

CSA B651


KOHLER® One-Year Limited Warranty

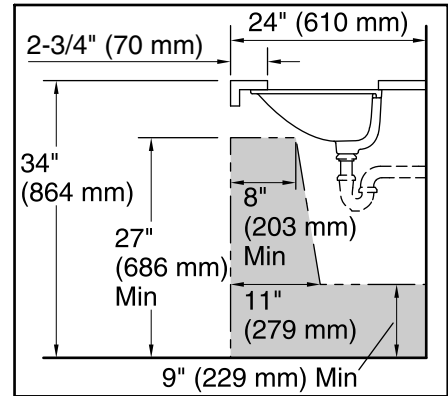
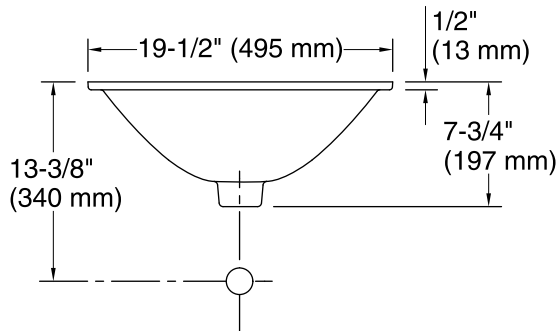
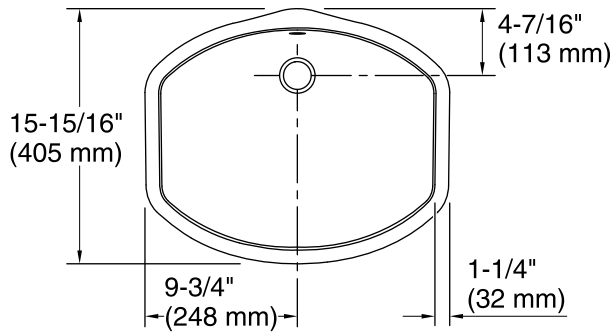
See website for detailed warranty information.

Available Color/Finishes

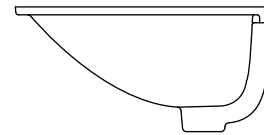
Color tiles intended for reference only.

Color	Code	Description
-------	------	-------------

	0	White
--	---	-------



Recommended ADA Installation



Technical Information

All product dimensions are nominal.

Bowl configuration:	Single
Installation:	Under-mount
Bowl area:	Length: 17" (432 mm) Width: 13-3/8" (340 mm) Bowl depth: 5-3/4" (145 mm) With overflow: Yes Water depth: 3-3/4" (96 mm)
Template:	Under-mount, 1355438-7, required, not included

Notes

Install this product according to the installation instructions.

NOTICE: Countertop manufacturer or cutter must use the current product template available at www.kohler.com, or by calling 1-800-4KOHLER. Kohler Co. is not responsible for cutout errors when the incorrect cutout template is used.

ADA, CSA B651 compliant when installed to the specific requirements of these regulations.