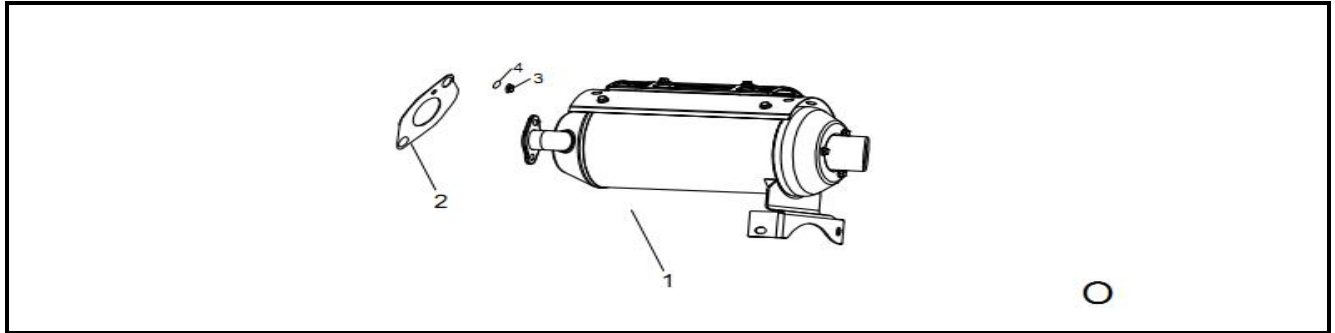
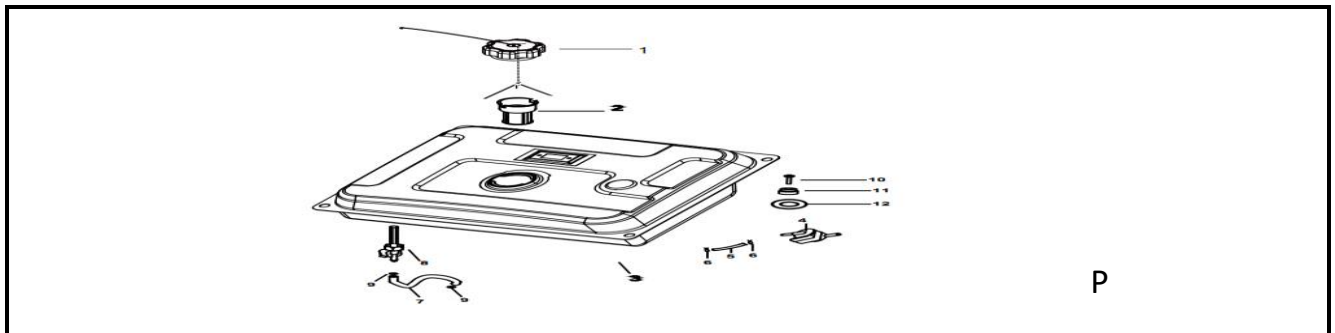


GPG8000W/EW Parts List

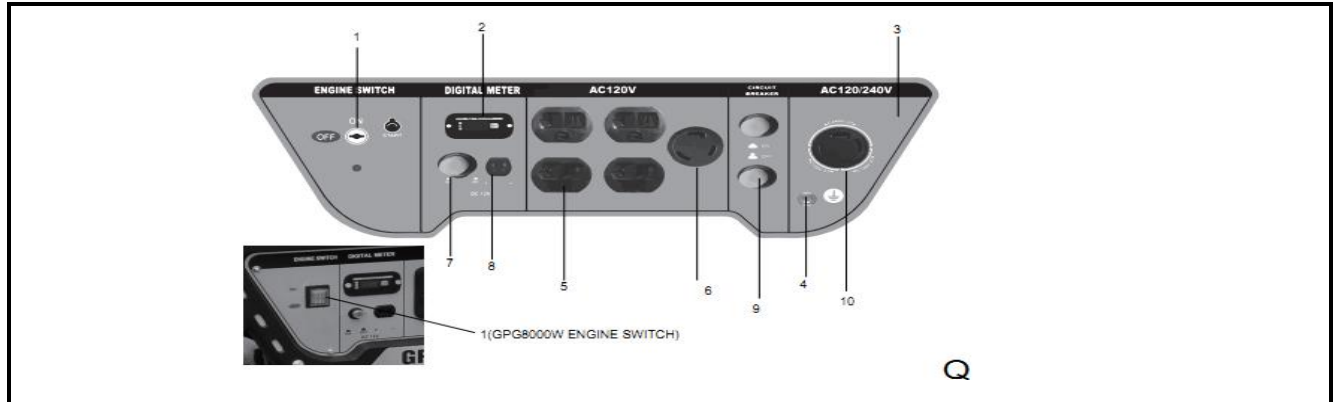


Group	GPA Parts/Group No	Factory Parts No	Description	QTY	Price	Comments
O	GPG8000-O-001	BGH30499	MUFFLER STAY COMP	1	\$14.28	
	GPG6500-O-02	BGH92901	EXHAUST GASKET	1	\$0.10	
	GPG6500-O-03	BGS10004	FLANGE NUT M8	2	\$0.02	
	GPG6500-O-04	BGS60004	SPRING WASHER ϕ 8	2	\$0.01	



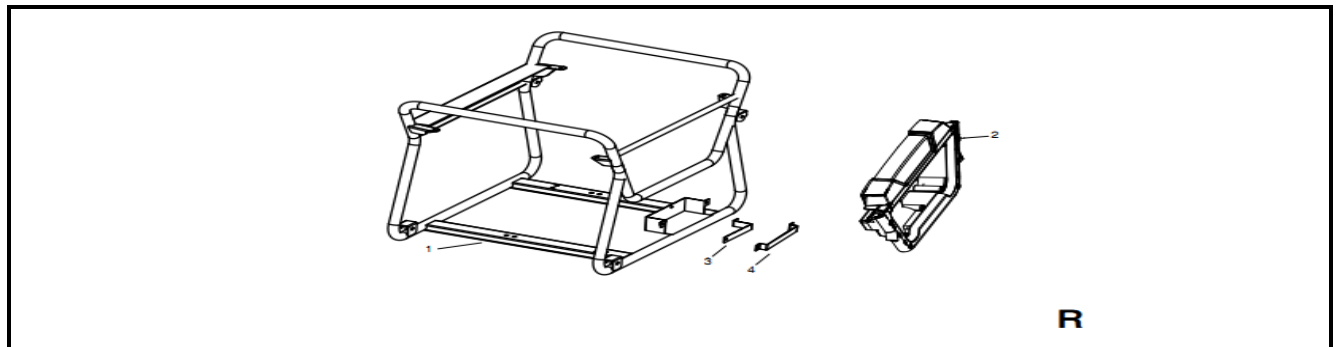
Group	GPA Parts/Group No	Factory Parts No	Description	QTY	Price	Comments	
P	GPG6500-P-01	BGG21006.1.5-1.2	FUEL FILLER CAP COMP	1	\$0.67		
	GPG6500EW-P-a	GPG6500-P-02	BGG21519.1.5-1.1	FUEL FILLER	1	\$15.58	Sold in group only
		GPG6500-P-03	BGG21519.1.5-1C	FUEL TANK COMP.	1		
		GPG6500-P-04	BGG21519.1.5-1.3	OVERLOW VALVE	1		
	GPG6500-P-05	BGH63987	FUEL TUBE A	0.44m	\$0.40		
	GPG6500-P-06	BGH43582	TUBE CLIP A	4	\$0.10		
	GPG6500-P-07	BGH60604	FUEL TUBE D	0.40m	\$0.53		
	GPG6500-P-08	BGH43652	FUEL VAVLE	1	\$0.52		
	GPG6500-P-09	PGH63575	TUBE CLIP C	2	\$0.05		
	GPG6500-P-10	BGS40009	FLANGE BOLT(M6X25)	4	\$0.02		
	GPG6500-P-11	BGH21519.1.6	RUBBER Cusion	4	\$0.10		
	GPG6500-P-12	BGG20503	WASHER	4	\$0.02		

GPG8000W/EW Parts List



Q

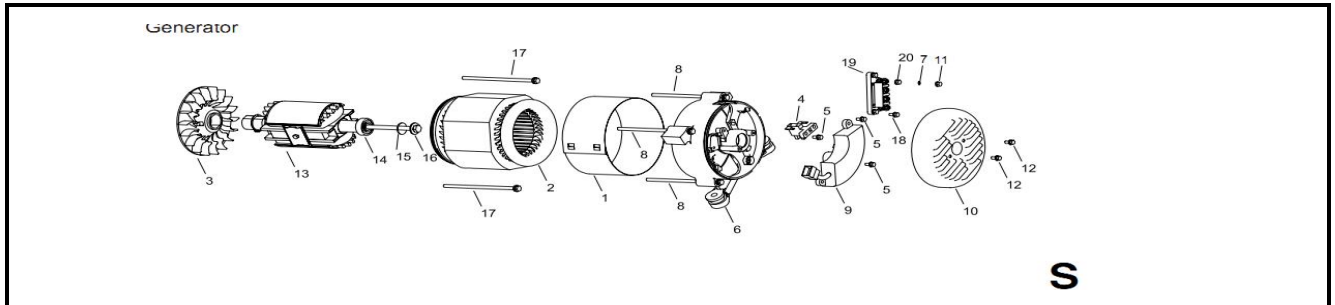
Group	GPA Parts/Group No	Factory Parts No	Description	QTY	Price	Comments
Q	GPG6500-Q-01	BGG53150	ENGINE SWITCH ASSY	1	\$6.46	
	GPG8000W-Q-01	BGG50200	ENGINE SWITCH ASSY	1	\$0.87	Recoil type
	GPG6500-Q-02	BGG52950	HOURMETER	1	\$8.84	240V, 3 in 1
	GPG6500-Q-03	BGG50073	CONTROL PANEL COMP	1	\$2.40	
	GPG6500-Q-04	BGG50705	EARTH TERMINAL	1	\$0.67	
	GPG6500-Q-05	BGG53350	120V 20A NEMA5-20 Receptacle	4	\$4.55	
	GPG6500-Q-06	BGG53450	120v 30A NEMA5-30 Receptacle	1	\$3.20	
	GPG6500-Q-07	BGG52100	DC CIRCUIT PROTECTOR	1	\$1.50	
	GPG6500-Q-08	BGG53650	DC 12V OUTPUT	1	\$1.50	
	GPG6500-Q-09	BGG52905	35A AC CIRCUIT PROTECTOR	2	\$1.67	
GPG6500-Q-10	BGG53400	120/240v 30A NEMAL14-30 Receptacle	1	\$4.30		



R

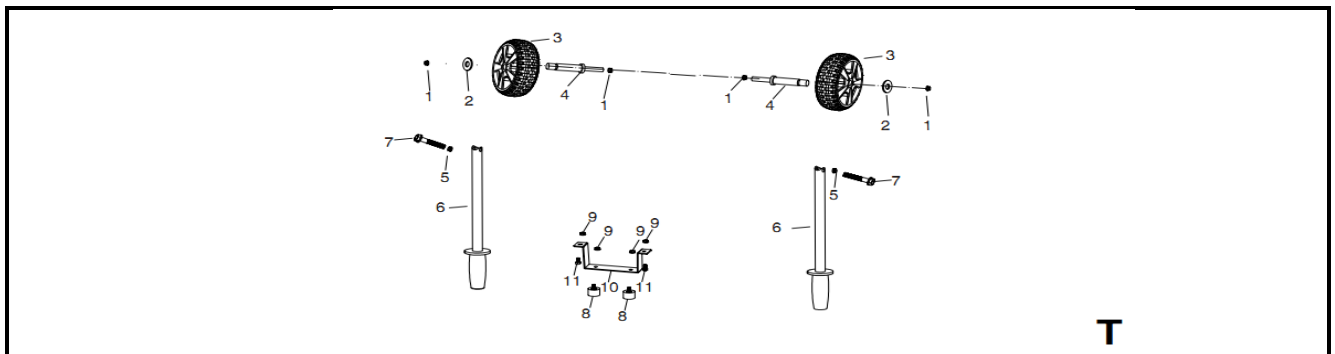
Group	GPA Parts/Group No	Factory Parts No	Description	QTY	Price	Comments
R	GPG8000-R-01	BGG40925	GENERATOR FRAME	1	\$17.98	
	GPG6500-R-02	BGG50072	CONTROL PANEL CASE	1	\$6.10	
	GPG6500-R-03	BGG42173	1.6Ah BATTERY LAYLER	1	\$0.45	
	GPG6500-R-04	BGG42166	17Ah BATTERY LAYLER	1	\$0.45	Backup for 17AH Lead-Acid battery

GPG8000W/EW Parts List



S

Group	GPA Parts/Group No	Factory Parts No	Description	QTY	Price	Comments	
S	GPG8000-S-a	GPG8000-S-01	BGG12851.1	STATOR COVER	1	\$109.25	Sold in group only
		GPG8000-S-02	BGG12851.2	STATOR ASSY	1		
		GPG6500-S-03	BGG12551.3	COOLING FAN	1		
		GPG8000-S-13	BGG12851.4	ROTOR COMP	1		
		GPG6500-S-14	BGG12551.5	BEARING ASSY	1		
	GPG6500-S-04	BGG13101	BRUSH ASSY	1	\$0.64		
	GPG6500-S-05	BGS40078	TAPPING SCREW	8	\$0.12		
	GPG6500-S-06	BGG13303	RR HOUSING	1	\$4.21		
	GPG6500-S-07	BGS60000	SPRING WASHER(5mm)	4	\$0.10		
	GPG8000-S-08	BGG14030	FLANGE BOLT(m6x185)	4	\$0.80		
	GPG6500-S-09	BGG12503	AUTO VOLTAGE REG.ASSY	1	\$6.68		
	GPG6500-S-10	BGG13007	GENERATOR COVER	1	\$0.72		
	GPG10000-S-11	BGS40078	FLANGE BOLT (M6X12)	4	\$0.10		
	GPG10000-S-12	BGS40078	FLANGE BOLT (M6X12)	2	\$0.05		
	GPG6500-S-15	BGS60008	PLAIN WASHER	1	\$0.01		
	GPG6500-S-16	BGG14025	FLANGE BOLT (M10X265)	1	\$0.39		
	GPG8000-S-17	BGG14031	FLANGE BOLT (M5X222)	2	\$0.24		
	GPG6500-S-18	BGG30039	HEX.BOLT (M5X20)	2	\$0.10		
	GPG6500-S-19	BGG12151.7	VOLT CHANGE TERMINAL BR-AC-W	1	\$0.20		
	GPG6500-S-20	BGS50001	PLAIN WASHER (5mm)	1	\$0.04		



T

Group	GPA Parts/Group No	Factory Parts No	Description	QTY	Price	Comments
T	GPG6500-T-01	BGS20006	LOCKNUT (M10)	4	\$0.04	
	GPG6500-T-02	BGS20006.1.2	WASHER PLAIN	2	\$0.02	
	GPG6500-T-03	BGS60648	WHEEL	2	\$7.49	10" solid
	GPG6500-T-04	BGS42015	SHAFT	2	\$1.23	
	GPG6500-T-05	BGS20002	FLANGE NUT (M8)	2	\$0.02	
	GPG6500-T-06	BGG42018	HANDLE	2	\$2.12	
	GPG6500-T-07	BGS30014	FLANGE BOLT (M8*40)	2	\$0.04	
	GPG6500-T-08	BGS61005	RUBBER	2	\$0.40	
	GPG6500-T-09	BGS20002	FLANGE NUT (M8)	2	\$0.02	
	GPG6500-T-10	BGS42059	STANDER	1	\$1.17	
	GPG6500-T-11	BGS30009	FLANGE BOLT (M8*25)	1	\$0.10	