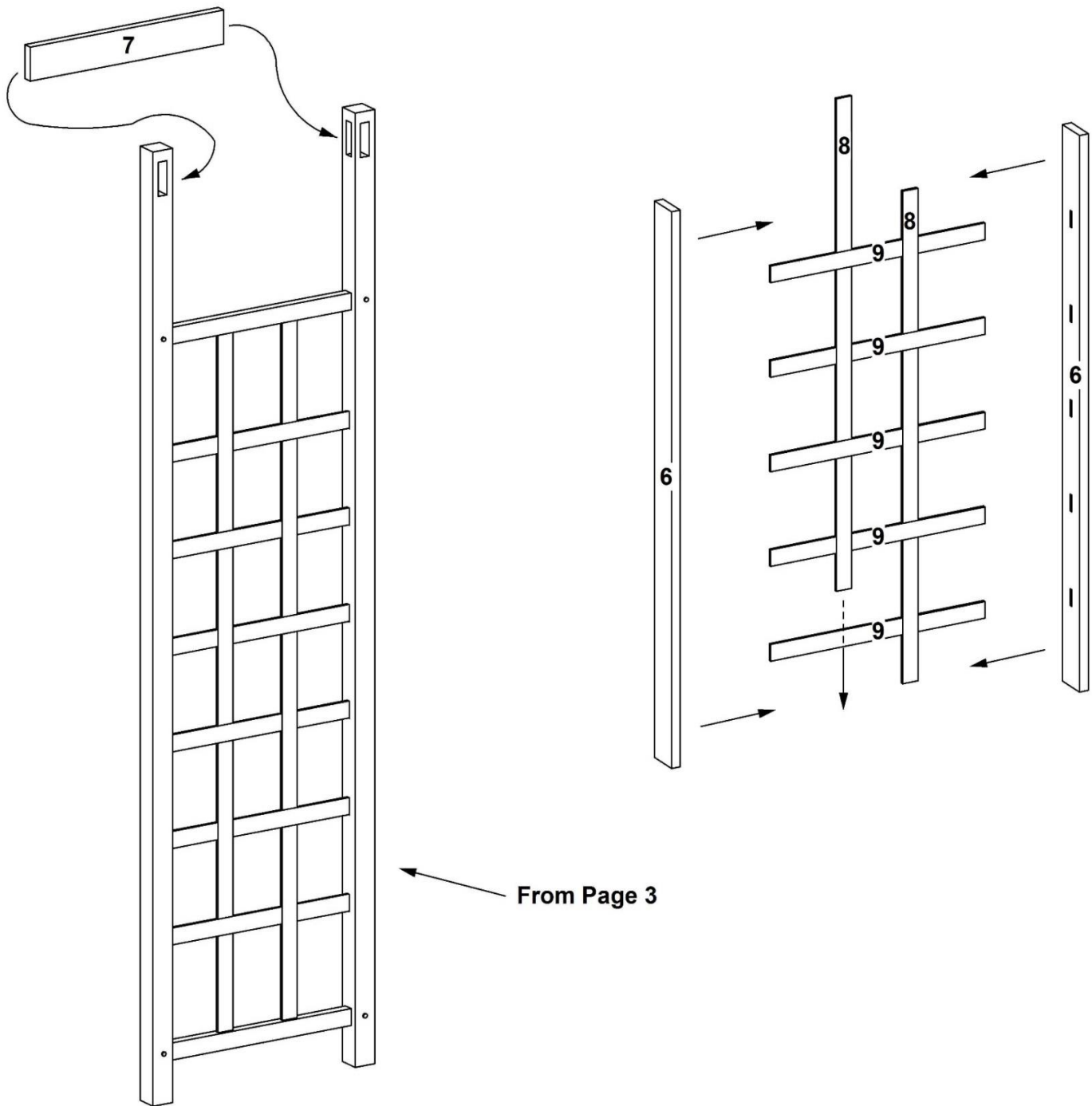


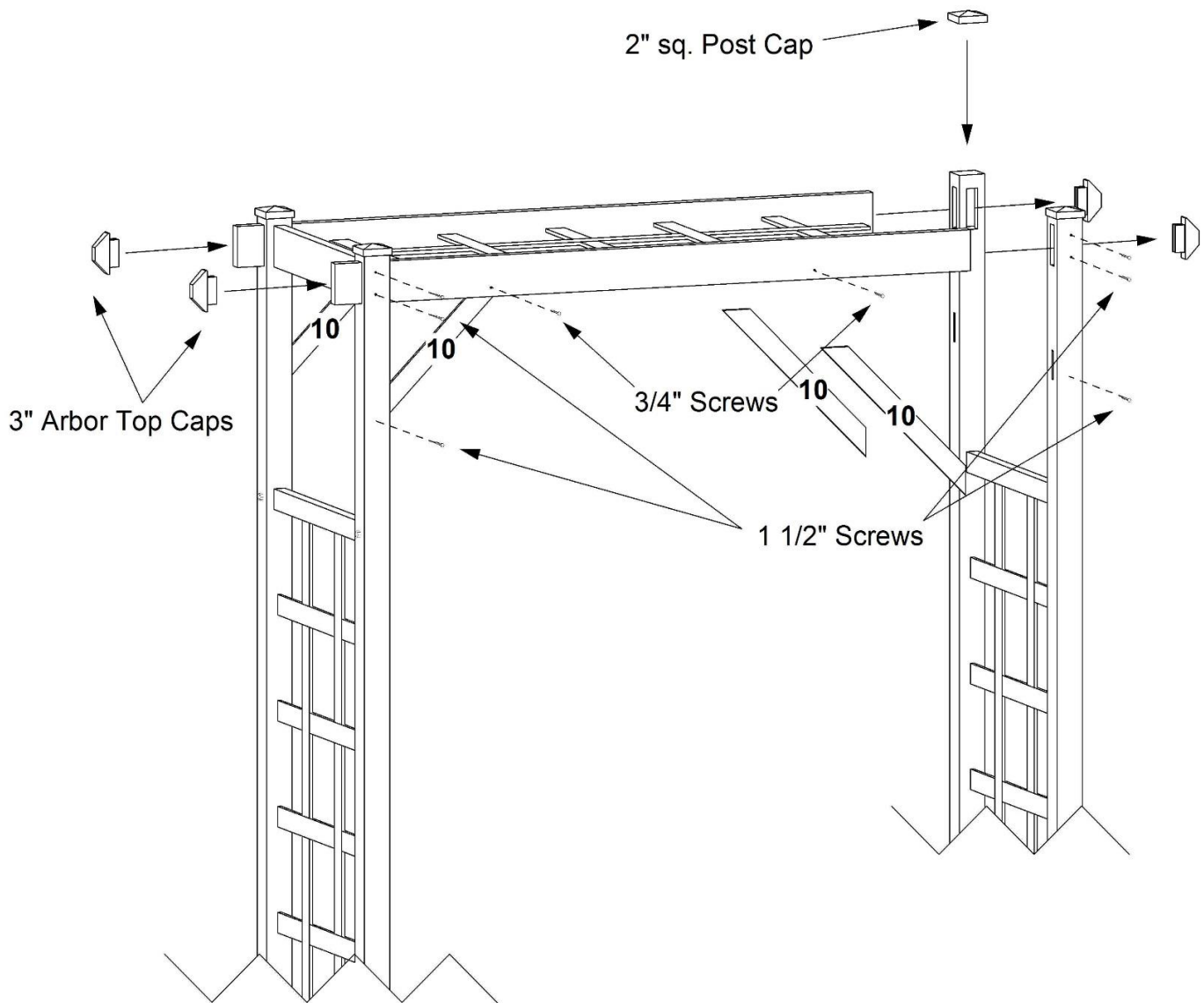
Lay out one 84" one left post (part 1). Starting at bottom, insert one 22" top/bottom cross rail (part 3) and six 22" horizontal slat (part 5). Insert free ends of bottom cross rail and horizontal slats into one 84" right post (part 2). Weave one 56 $\frac{3}{4}$ " vertical slat (part 4) through horizontal slats. Insert end into left hole of bottom cross rail. Weave remaining second 56 $\frac{3}{4}$ " vertical slat (part 4) through horizontal slats opposite of left vertical slat. Insert end into right hole of bottom cross rail. Separate tops of posts just enough to insert remaining 22" top/bottom cross rail (part 3).

Using two 1 $\frac{1}{4}$ " screws per post, fasten together arbor panel. Be sure all parts are fully inserted into posts before fastening. REPEAT using remaining posts, top/bottom cross rails, horizontal and vertical slats to assemble second arbor panel.



Insert one 19½" arbor top cross rail (part 7) into top holes of both assembled arbor panels (from page 3.) Center arbor top cross rail between posts to allow parts to be inserted through the remaining routed holes.

Insert five 21" arbor top cross slats (part 9) into one 56¾" arbor top rail (part 6). Insert free ends of arbor top cross slats into remaining 56¾" arbor top rails (part 6). Weave one 44½" arbor top slat (part 8) through arbor top cross slats. Weave remaining 44½" arbor top slat (part 8) through arbor top cross slats opposite of other arbor top slat.



Insert two 16½" corner braces (part 10) into each 56¾" arbor top (from page 4). Slide ends of arbor top rail through holes at top of post, inserting corner braces into posts and free ends of 44½" arbor top slats into corresponding holes of 19½" arbor top cross rails. Using three 1½" screws per post, fasten together posts, arbor top rails and corner braces. Using four total ¾" screws, fasten corner braces to arbor top rails.

Using included super glue tube, glue ⅞ x 3" arbor top end caps onto ends of each arbor top cross rail. Glue four 2" sq. post caps onto tops of post.