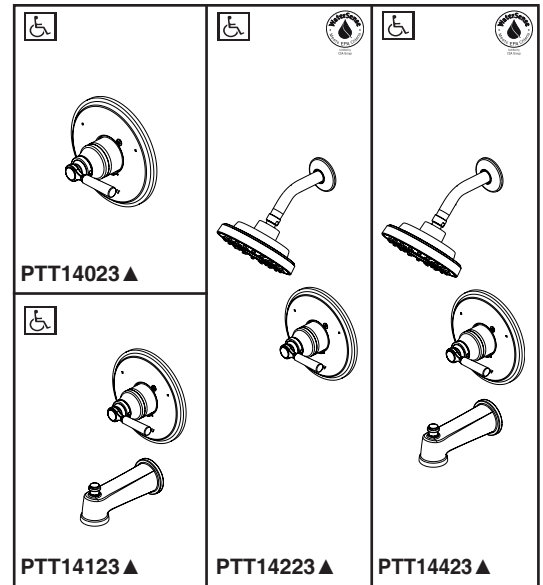
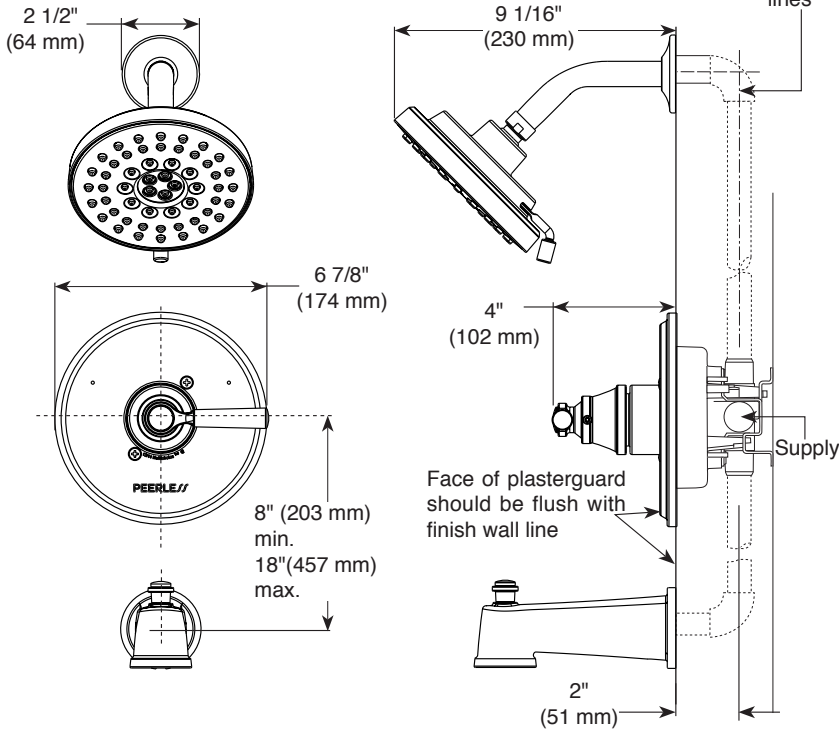


PEERLESS®

PTT14023▲
 PTT14123▲
 PTT14223▲
 PTT14423▲



TUB AND SHOWER FAUCET TRIM

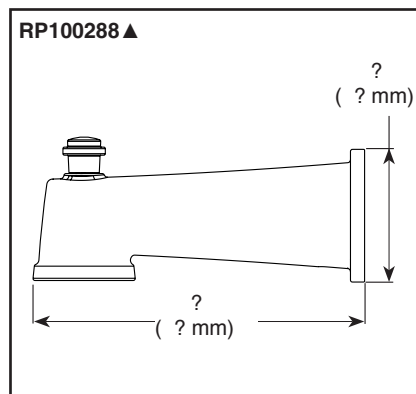
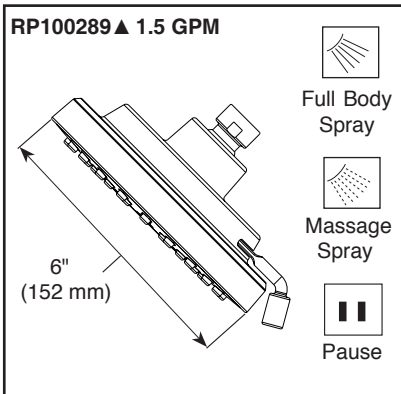
- Westchester™ Collection
- Valve Only (PTT14023▲)
- Tub Only (PTT14123▲)
- Shower Only (PTT14223▲)
- Tub/Shower (PTT14423▲)

STANDARD SPECIFICATIONS:

- Maintains a balanced pressure of hot and cold water even when a valve is turned on or off elsewhere in the system.
- For use with MultiChoice® Universal rough valve body (R10000 Series); not included.
- Back-to-back installation capability.
- Temperature only controlled with handle rotating a maximum of 120° from full cold to the full hot.
- Cartridge utilise integral check valve to prevent the cross flow of water within the valve.
- Showerhead maximum flow rate 1.5 gpm @ 60 psi, 5.7 L/min @ 414 kPa.
- Easy-turn 3-spray setting showerhead.
- Slip-on tub spout.

WARRANTY:

- Lifetime limited warranty on parts (other than electronic parts and batteries) and finishes; or, for commercial users, for 5 years from the date of purchase.
- 5 year limited warranty on electronic parts (other than batteries); or for commercial users, for 1 year from the date of purchase. No warranty is provided on batteries.



▲ Designate proper finish suffix

PSP-B-PTT14023 Rev. A



COMPLIES WITH

- ASME A112.18.1 / CSA B125.1
- EPA WaterSense®

♿ Indicates compliance to ICC/ANSI A117.1 - Valve control only