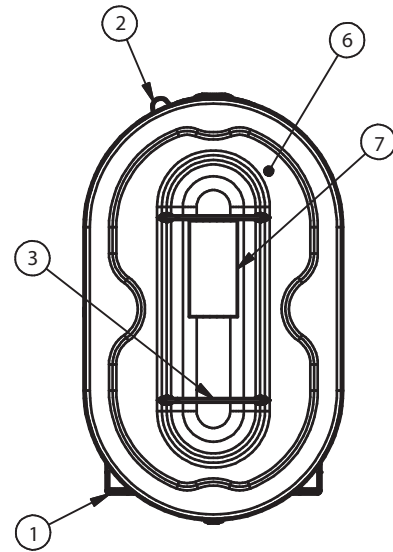
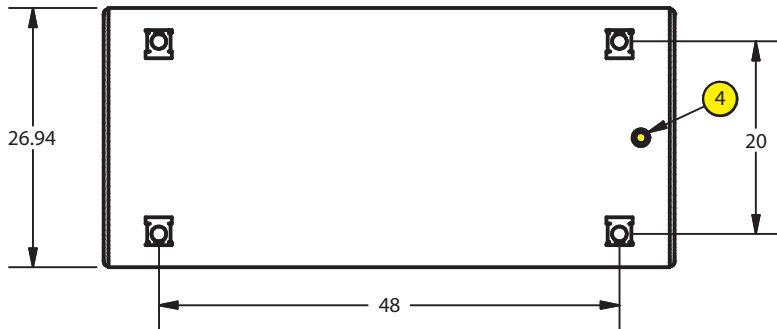
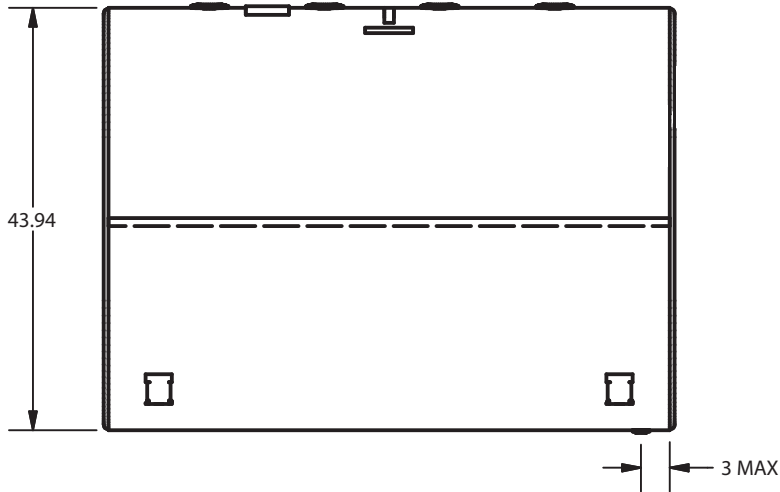
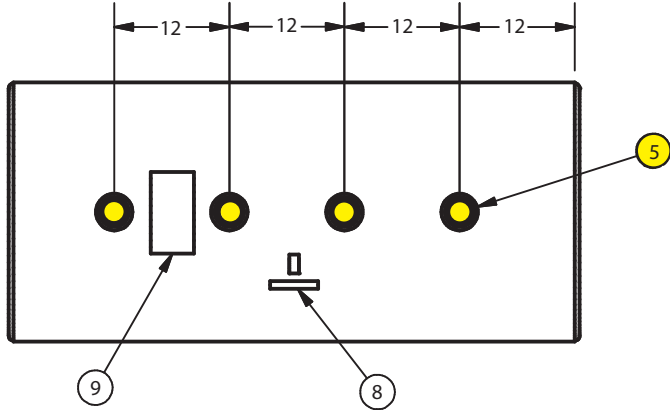


BREAKDOWN LIST

ITEM	QTY	
1	4	1 1/4" NPT THREADS FOR SUPPORT LEGS SOLD SEPERTLY
2	1	LIFTING LUG
3	4	3/8" DIA. X 8" LONG - BENT HANDLE
4	1	1/2" NPT STAMPED FLANGE CAPPED <i>(REMOVE CAPS PRIOR TO INSTALLATION)</i>
5	4	2" NPT CURVED STAMPED FLANGE CAPPED <i>(REMOVE CAPS PRIOR TO INSTALLATION)</i>
6	2	12 GAUGE
7	1	UL LISTED MARK
8	1	PART NUMBER STICKER
9	1	WARNINGS



WARNING: THREAD PROTECTIVE CAPS MUST BE REMOVED BEFORE INSTALLATION.

Format / Size	No de la pièce / Part no.	REV
A	275VOT	A.
Description / Title		
275 gl. 12 g. VERTICAL UL-80 - TANK 1/2" BELOW BLACK		