



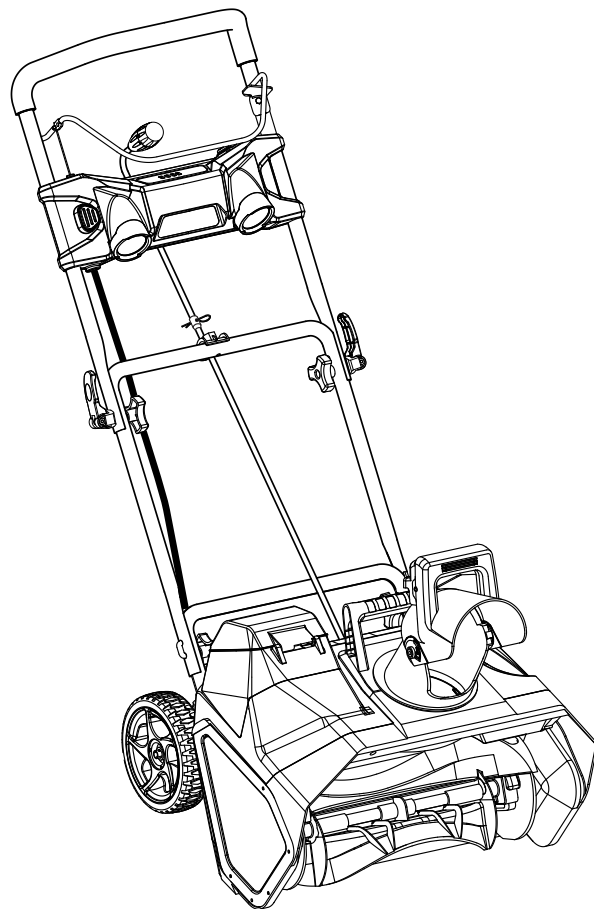
# OPERATOR'S MANUAL

MANUEL D'UTILISATION  
MANUAL DEL OPERADOR

40 VOLT SNOW BLOWER  
SOUFFLEUSE À NEIGE DE 40 V  
EQUIPO QUITANIEVE DE 40 V

**RY40801**

ALL VERSIONS  
TOUTES LES VERSIONS  
TODAS LAS VERSIONES



Your snow blower has been engineered and manufactured to our high standard for dependability, ease of operation, and operator safety. When properly cared for, it will give you years of rugged, trouble-free performance.

**⚠ WARNING:** To reduce the risk of injury, the user must read and understand the operator's manual before using this product.

Thank you for your purchase.

## SAVE THIS MANUAL FOR FUTURE REFERENCE

Votre souffleuse à neige conçu et fabriqué conformément à nos strictes normes de fiabilité, simplicité d'emploi et sécurité d'utilisation. Correctement entretenu, cet outil vous donnera des années de fonctionnement robuste et sans problème.

**⚠ AVERTISSEMENT :** Pour réduire les risques de blessures, l'utilisateur doit lire et veiller à bien comprendre le manuel d'utilisation avant d'employer ce produit.

Merci de votre achat.

Su equipo quitanieve ha sido diseñado y fabricado de conformidad con nuestras estrictas normas para brindar fiabilidad, facilidad de uso y seguridad para el operador. Con el debido cuidado, le brindará muchos años de sólido funcionamiento y sin problemas.

**⚠ ADVERTENCIA:** Para reducir el riesgo de lesiones, el usuario debe leer y comprender el manual del operador antes de usar este producto.

Le agradecemos su compra.

**CONSERVER CE MANUEL POUR  
FUTURE RÉFÉRENCE**

**GUARDE ESTE MANUAL PARA  
FUTURAS CONSULTAS**

See this fold-out section for all of the figures referenced in the operator's manual.

Consulter l'encart à volets afin d'examiner toutes les figures mentionnées dans le manuel d'utilisation.

Consulte esta sección desplegable para ver todas las figuras a las que se hace referencia en el manual del operador.

Fig. 1

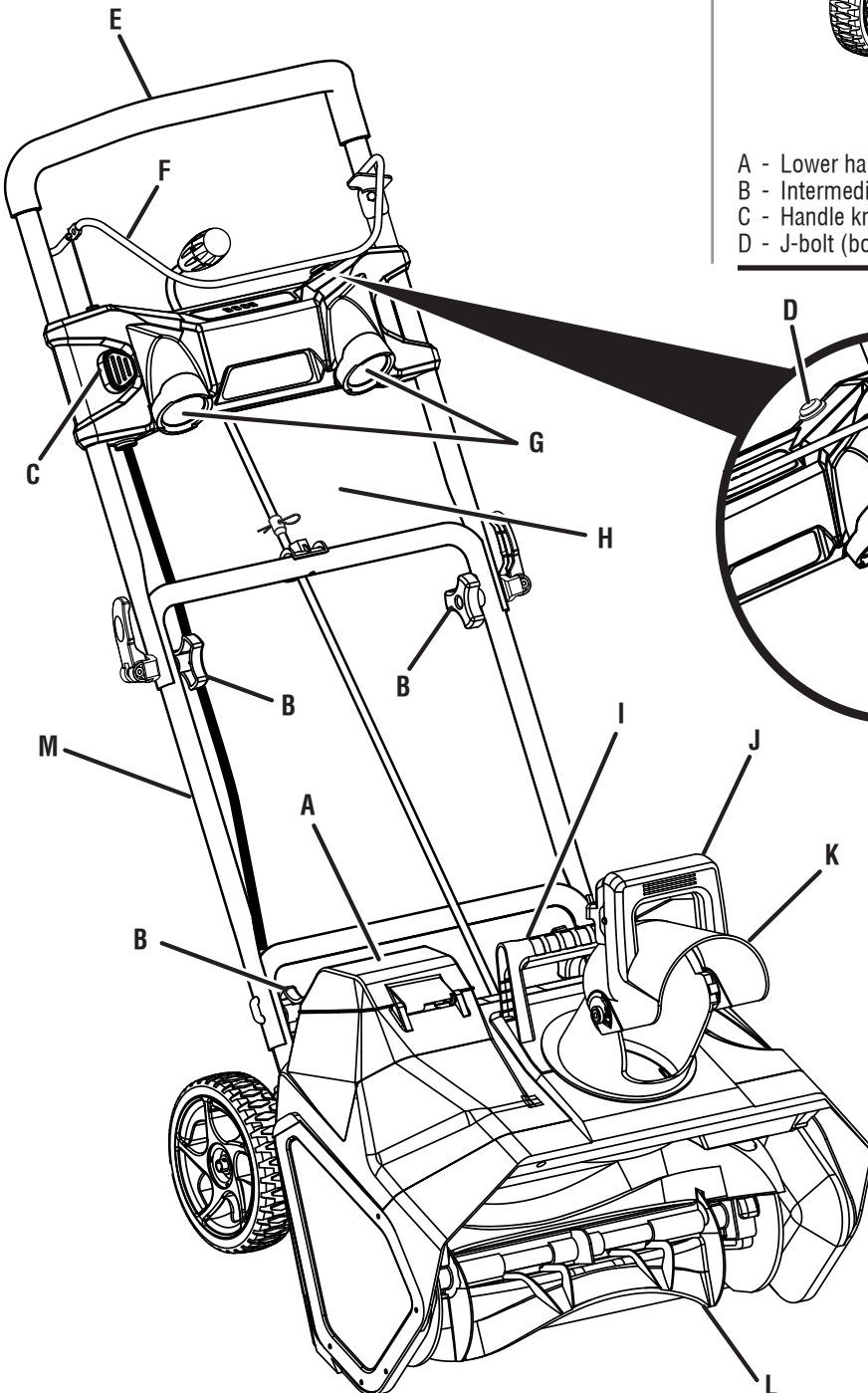
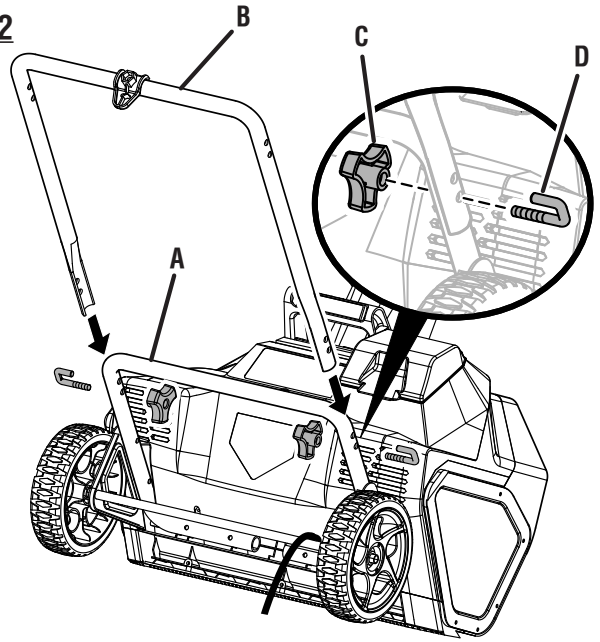


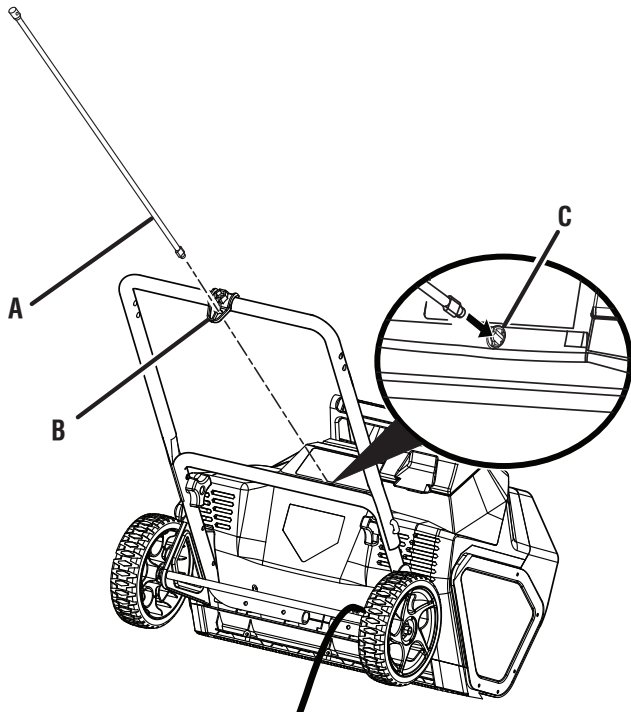
Fig. 2



- A - Lower handle (poignée inférieure, mango inferior)
- B - Intermediate handle (poignée intermédiaire, mango intermedio)
- C - Handle knob (bouton de poignée, perilla del mango)
- D - J-bolt (boulon en J, perno en "J")

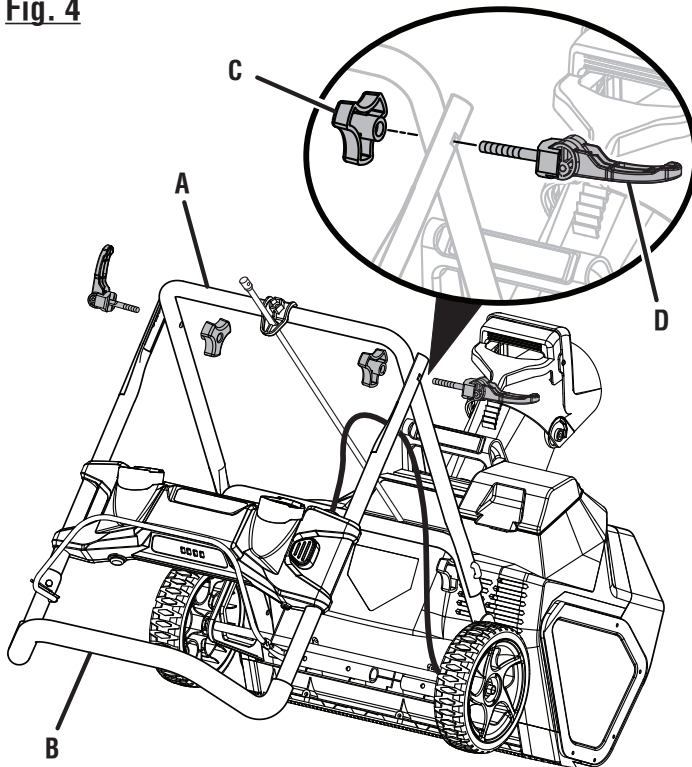
- A - Battery cover (couverture des piles, tapa de las baterías)
- B - Handle knob (bouton de poignée, perilla del mango)
- C - Start button (bouton « Start » [démarrer], botón de arranque)
- D - LED headlight switch (interrupteur d'éclairage pour phares DEL, interruptor de luz para luces delanteras LED)
- E - Upper handle (poignée supérieure, mango superior)
- F - Bail (barre, gancho)
- G - LED headlights (phares DEL, luces delanteras LED)
- H - Chute rotation lever (levier de rotation de goulotte, palanca de giro del vertedor)
- I - Carrying/lifting handle (poignée de transport/soulèvement, mango de transporte/elevación)
- J - Chute deflector handle (poignée du déflecteur de goulotte, mango del deflector del vertedor)
- K - Chute deflector (déflecteur de goulotte, deflector del vertedor)
- L - Impeller (tarière, impulsor)
- M - Intermediate handle (poignée intermédiaire, mango intermedio)

**Fig. 3**



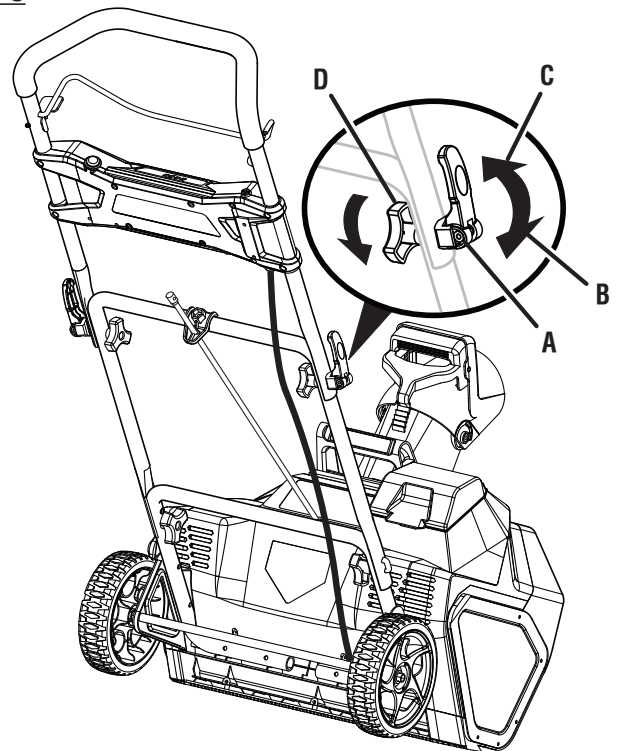
- A - Chute rotation lever lower rod (tige inférieur de levier de rotation de goulotte, varilla inferior de palanca de giro del vertedor)
- B - Lever bracket (support de fixation du levier, soporte de la palanca)
- C - Opening on back of snow blower housing (ouverture à l'arrière du logement de souffleuse à neige, apertura en la parte trasera de la carcasa del equipo quitanieve)

**Fig. 4**



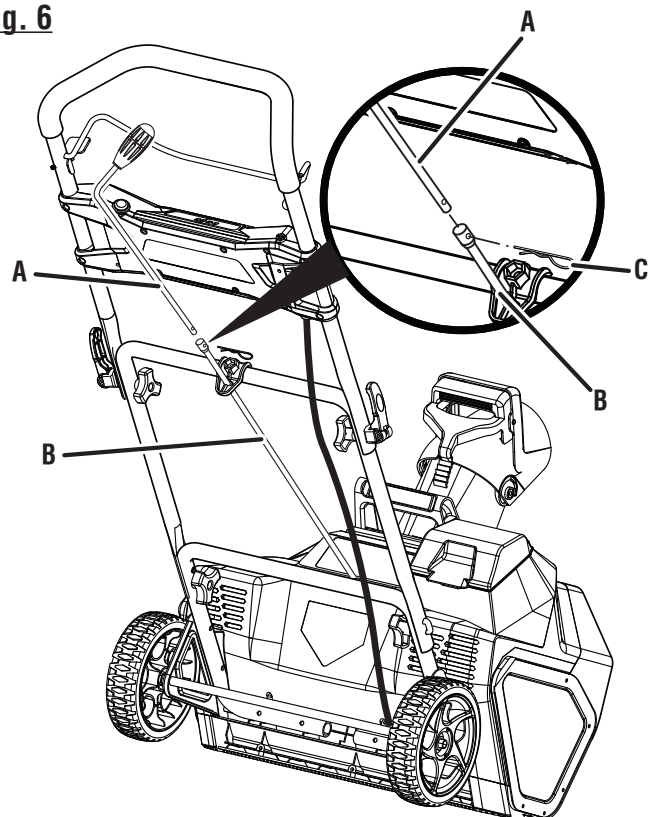
- A - Intermediate handle (poignée intermédiaire, mango intermedio)
- B - Upper handle (poignée supérieure, mango superior)
- C - Handle knob (bouton de poignée, perilla del mango)
- D - Handle lock (verrou de la poignée, seguro del mango)

**Fig. 5**



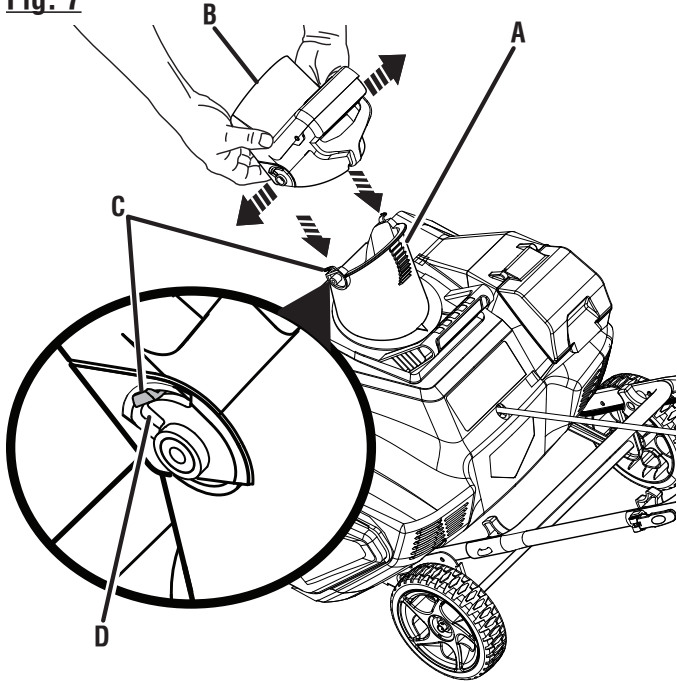
- A - Handle lock (verrou de la poignée, seguro del mango)
- B - Open (ouvrir, abra)
- C - Close (fermeture, cerrar)
- D - Handle knob (bouton de poignée, perilla del mango)

**Fig. 6**



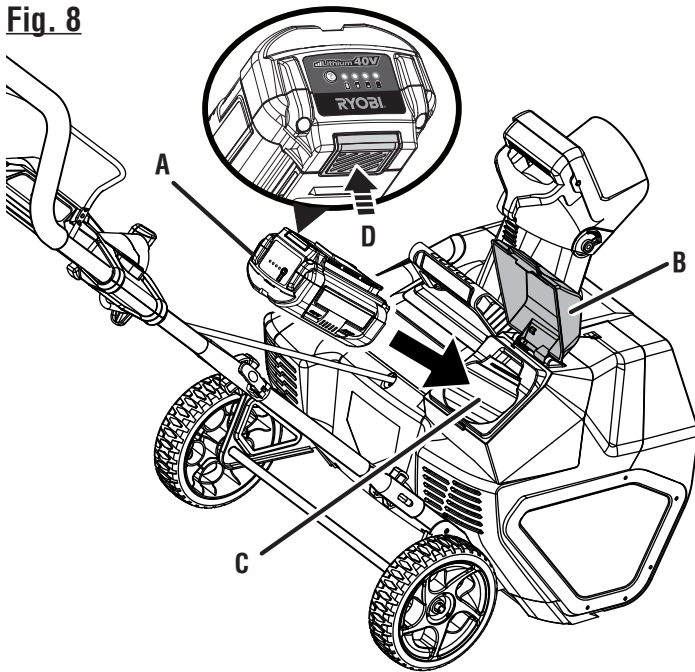
- A - Chute rotation lever upper rod (tige supérieur de levier de rotation de goulotte, varilla superior de palanca de giro del vertedor)
- B - Chute rotation lever lower rod (tige inférieur du levier de rotation de goulotte, varilla inferior de palanca de giro del vertedor)
- C - Hitch pin (goupille d'attelage, pasador de enganche)

**Fig. 7**



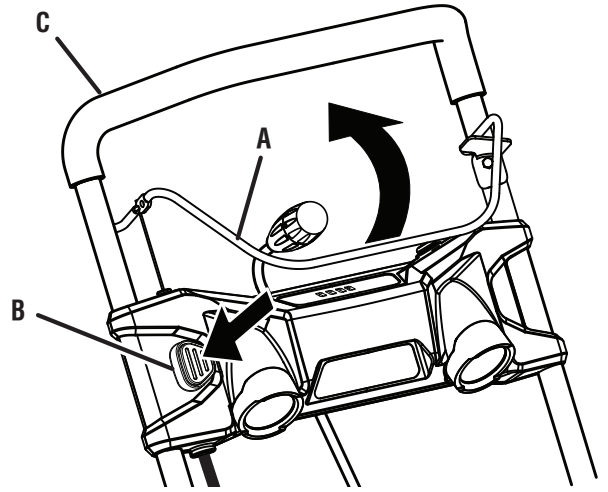
- A - Chute (goulotte, vertedor)
- B - Chute deflector (déflecteur de goulotte, deflector del vertedor)
- C - Tab (languette, lengüeta)
- D - Opening (ouverture, apertura)

**Fig. 8**



- A - Battery pack (bloc-piles, paquete de baterías)
- B - Battery cover (couvercle des piles, tapa de las baterías)
- C - Battery port (compartimiento de pile, compartimiento de la batería)
- D - Latch (loquet, pestillo)

**Fig. 9**



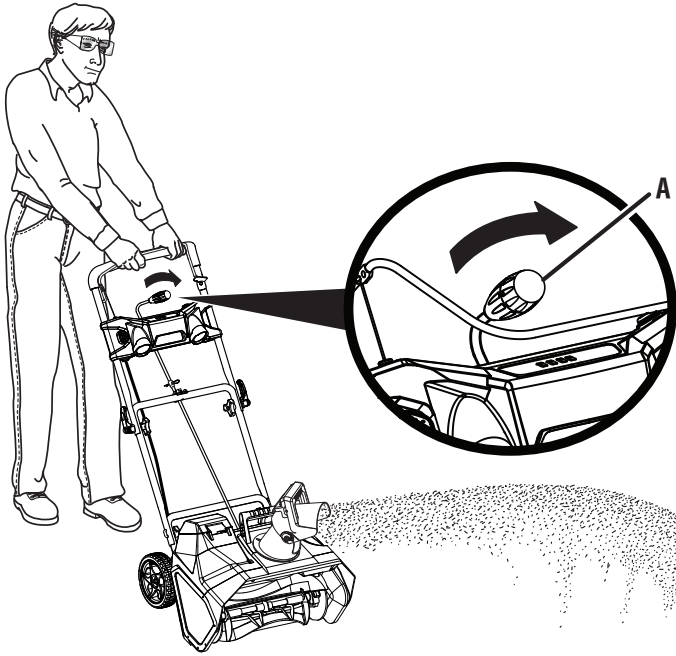
- A - Bail (barre, gancho)
- B - Start button (bouton « Start » [démarrer], botón de arranque)
- C - Upper handle (poignée supérieure, mango superior)

**Fig. 10**



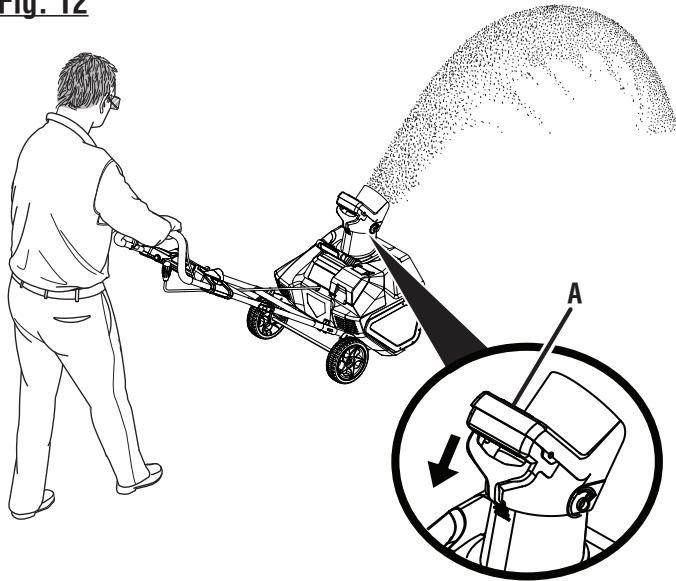
- A - Chute rotation lever (levier de rotation de goulotte, palanca de giro del vertedor)

**Fig. 11**



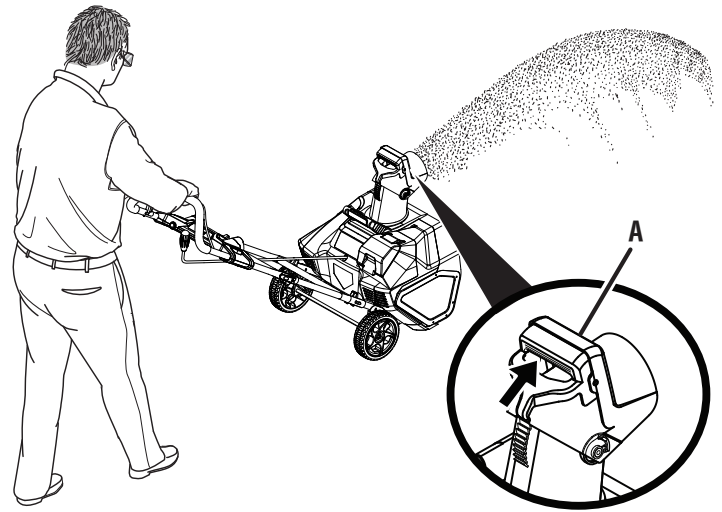
A - Chute rotation lever (levier de rotation de goulotte, palanca de giro del vertedor)

**Fig. 12**



A - Chute deflector handle (poignée du déflecteur de goulotte, mango del deflector del vertedor)

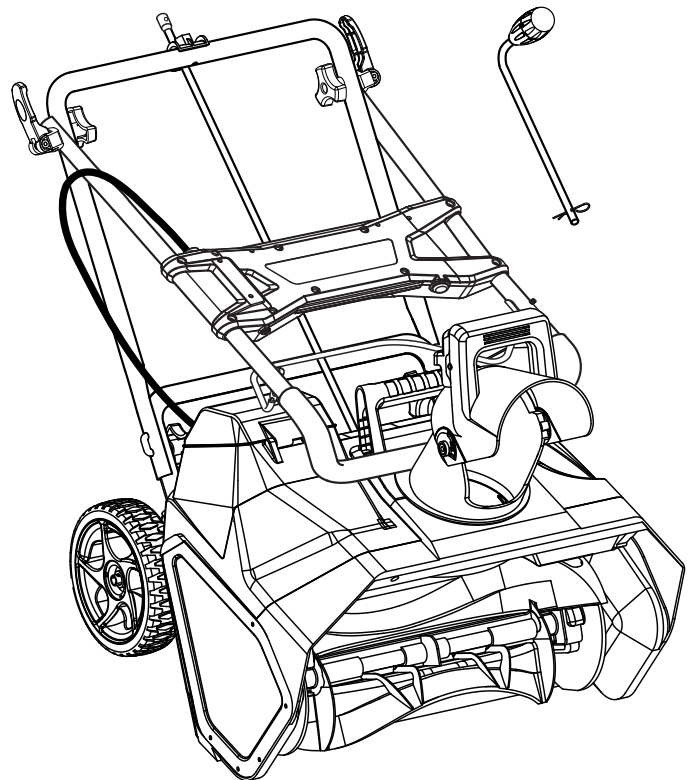
**Fig. 13**



A - Chute deflector handle (poignée du déflecteur de goulotte, mango del deflector del vertedor)

**Fig. 14**

**TO STORE THE MACHINE  
POUR REMISER L'ÉQUIPEMENT  
PARA GUARDAR LA MÁQUINA**



# TABLE OF CONTENTS

## TABLE DES MATIÈRES / ÍNDICE DE CONTENIDO

■ Introduction .....	2
Introduction / Introducción	
■ Important Safety Instructions .....	3-4
Règles de sécurité générales / Reglas de seguridad generales	
■ Symbols.....	5-6
Symboles / Símbolos	
■ Features.....	7
Caractéristiques / Características	
■ Assembly .....	7-8
Assemblage / Armado	
■ Operation.....	9-10
Utilisation / Funcionamiento	
■ Maintenance.....	11
Entretien / Mantenimiento	
■ Troubleshooting .....	12
Dépannage / Solución de problemas	
■ Warranty .....	13
Garantie / Garantía	
■ Parts Ordering and Service .....	Back Page
Commande de pièces et réparation / Pedidos de piezas y servicio .....	Page arrière / Pág. posterior

## INTRODUCTION

### INTRODUCTION / INTRODUCCIÓN

This product has many features for making its use more pleasant and enjoyable. Safety, performance, and dependability have been given top priority in the design of this product making it easy to maintain and operate.

\* \* \*

Ce produit offre de nombreuses fonctions destinées à rendre son utilisation plus plaisante et satisfaisante. Lors de la conception de ce produit, l'accent a été mis sur la sécurité, les performances et la fiabilité, afin d'en faire un outil facile à utiliser et à entretenir.

\* \* \*

Este producto ofrece numerosas características para hacer más agradable y placentero su uso. En el diseño de este producto se ha conferido prioridad a la seguridad, el desempeño y la fiabilidad, por lo cual se facilita su manejo y mantenimiento.

# IMPORTANT SAFETY INSTRUCTIONS



## WARNING:

### READ AND UNDERSTAND ALL INSTRUCTIONS.

Failure to follow all instructions listed below and on the machine may result in electric shock, fire, and/or serious personal injury.

- Know your snow blower. Read operator's manual carefully. Learn its applications and limitations, as well as the specific potential hazards related to this snow blower. Following this rule will reduce the risk of electric shock, fire, or serious injury.
- Do not permit children to use snow blower. It is not a toy.
- Use only accessories that are recommended by the manufacturer for your model described in this manual. Accessories that may be suitable for one snow blower may create a risk of injury when used on another snow blower. Use only as described in this manual.
- Do not handle charger, including charger plug, and charger terminals with wet hands.
- Do not put any object into openings. Do not use with any opening blocked; keep free of dust, lint, hair, and anything that may reduce air flow.
- Keep hair, loose clothing, fingers, and all parts of body away from openings and moving parts.
- Turn off all controls before removing battery.
- Do not operate snow blowers in explosive atmospheres, such as in the presence of flammable liquids, gases, or dust. Snow blowers create sparks which may ignite the dust or fumes.
- Keep bystanders, children, and visitors at least 100 ft. away while operating a snow blower. Distractions can cause you to lose control.
- A battery operated snow blower with integral batteries or a separate battery pack must be recharged only with the specified charger for the battery. A charger that may be suitable for one type of battery may create a risk of fire when used with another battery.
- Use battery operated snow blower only with specifically designated battery pack. Use of any other batteries may create a risk of fire.
- Use battery only with charger listed. For use with 40V lithium-ion battery packs, see tool/appliance/battery pack/charger correlation supplement 988000-842.
- Do not operate charger with a damaged cord or plug, which could cause shorting and electric shock. If damaged, have the charger replaced by an authorized service center.
- If appliance is not working as it should, has been dropped, damaged, left outdoors, or dropped into water, return it to a service center.
- Stay alert, watch what you are doing and use common sense when operating a power snow blower. Do not use snow blower while tired, upset, or under the influence of drugs, alcohol, or medication. A moment of inattention while operating snow blowers may result in serious personal injury.
- Avoid accidental starting. Carrying snow blowers with your finger on the start button or inserting the battery pack into a snow blower with the start button depressed invites accidents.
- Use safety equipment. Always wear eye protection. Dust mask, non-skid safety shoes, hard hat, or hearing protection must be used for appropriate conditions.
- Dress properly — Do not wear loose clothing, scarves, or jewelry. They can be caught in moving parts.
- Disconnect battery pack from snow blower before making any adjustments, changing accessories, or storing the snow blower. Such preventive safety measures reduce the risk of starting the snow blower accidentally.
- When battery pack is not in use, keep it away from other metal objects like: paper clips, coins, keys, nails, screws, or other small metal objects that can make a connection from one terminal to another. Shorting the battery terminals together may cause sparks, burns, or a fire.
- Check for misalignment or binding of moving parts, breakage of parts, and any other condition that may affect the snow blower's operation. If damaged, have the snow blower serviced before using. Many accidents are caused by poorly maintained snow blowers.
- Keep the snow blower and its handle dry, clean and free from oil and grease. Always use a clean cloth when cleaning. Never use brake fluids, gasoline, petroleum-based products, or any strong solvents to clean your snow blower. Following this rule will reduce the risk of loss of control and deterioration of the enclosure plastic.
- Always wear safety glasses with side shields. Everyday glasses have only impact resistant lenses. They are NOT safety glasses. Following this rule will reduce the risk of eye injury.
- Always wear eye protection with side shields marked to comply with ANSI Z87.1 along with hearing protection when operating this equipment.
- Protect your hearing. Wear hearing protection during extended periods of operation. Following this rule will reduce the risk of serious personal injury.
- Battery snow blowers do not have to be plugged into an electrical outlet; therefore, they are always in operating condition. Be aware of possible hazards when not using your battery powered snow blower or when changing accessories. Following this rule will reduce the risk of electric shock, fire, or serious personal injury.




# IMPORTANT SAFETY INSTRUCTIONS

- Do not place battery powered snow blowers or their batteries near fire or heat. This will reduce the risk of explosion and possibly injury.
- Don't expose snow blowers to rain. Water entering a snow blower will increase the risk of electric shock.
- Wear heavy long pants, long sleeves, boots, and gloves. Avoid loose garments or jewelry that could get caught in moving parts of the machine or its motor.
- Wear rubber boots when operating the snow blower. Protective footwear will protect your feet and improve your footing on slippery surfaces. Do not go barefoot or wear sandals.
- Keep firm footing and balance. Do not overreach. Over-reaching can result in loss of balance.
- Do not point the snow blower discharge chute in the direction of people or pets. Thrown snow or other objects can cause serious personal injuries.
- Never run the unit without the proper equipment attached. Always ensure the snow blower chute deflector is installed.
- When not in use, snow blower should be stored indoors in a dry, locked up place — out of the reach of children.
- Keep all bystanders, children, and pets at least 100 ft. away.
- Do not dispose of a severely damaged or worn out battery pack or this snow blower by incinerating. The battery can explode in fire.
- Snow blower service must be performed only by qualified repair personnel. Service or maintenance performed by unqualified personnel may result in a risk of injury.
- When servicing a snow blower, use only identical replacement parts. Follow instructions in the Maintenance section of this manual. Use of unauthorized parts or failure to follow Maintenance Instructions may create a risk of shock or injury.
- Never use snow blower near fires, fireplaces, hot ashes, barbecue pits, etc. Use near fires or ashes can spread fires and result in serious injury and/or property damage.
- Never use snow blower to spread chemicals, fertilizers, or any other toxic substances. Spreading these substances could result in serious injury to the operator or bystanders.
- Never place snow blower on any surface, except a hard, clean surface when motor is running. Gravel, sand, and other debris can be picked up by the air inlet and thrown at the operator or bystanders, causing possible serious injuries.
- Check the work area before each use. Remove all objects such as rocks, broken glass, nails, wire, or string which can be thrown or become entangled in the machine.
- Do not use snow blower on ice, which can cause the operator to slip and fall, resulting in possible serious personal injury.
- Never use snow blower on frozen lakes, rivers, or similar surfaces. Serious injury or death could occur if the ice breaks.
- Never use the snow blower on a rooftop or other unstable surface, which can result in death or serious personal injury.
- For household use only.
- Use the right appliance — Do not use the snow blower for any job except that for which it is intended.
- Do not force the snow blower - It will do the job better and safer at the rate for which it was designed.
- Never direct discharged material toward anyone. Avoid discharging material against a wall or obstruction. Material may ricochet back toward the operator. Stop the snow blower when crossing gravel or rocky surfaces.
- If the snow blower strikes a foreign object, follow these steps:
  - Stop the snow blower by releasing the bail and wait until the unit comes to a complete stop.
  - Remove the battery pack.
  - Thoroughly inspect the snow blower for any damage.
  - Repair any damage before restarting and continuing to operate the snow blower.
- Do not lift up or hold the snow blower above the ground when operating, which can result in loss of control and possible serious personal injury. Only operate the snow blower in accordance with the operating instructions provided in this operator's manual.
- Keep guards in place and in working order.
- Maintain Snow Blower With Care — Follow instructions for lubricating and changing accessories.
- Save these instructions. Refer to them frequently and use them to instruct others who may use this tool. If you loan someone this tool, loan them these instructions also.













# SYMBOLS

The following signal words and meanings are intended to explain the levels of risk associated with this product.


SYMBOL	SIGNAL	MEANING
	<b>DANGER:</b>	Indicates an imminently hazardous situation, which, if not avoided, will result in death or serious injury.
	<b>WARNING:</b>	Indicates a potentially hazardous situation, which, if not avoided, could result in death or serious injury.
	<b>CAUTION:</b>	Indicates a potentially hazardous situation, which, if not avoided, may result in minor or moderate injury.
	<b>NOTICE:</b>	(Without Safety Alert Symbol) Indicates important information not related to an injury hazard, such as a situation that may result in property damage.

Some of the following symbols may be used on this product. Please study them and learn their meaning. Proper interpretation of these symbols will allow you to operate the product better and safer.

SYMBOL	NAME	DESIGNATION/EXPLANATION
	Safety Alert	Indicates a potential personal injury hazard.
	Read Operator's Manual	To reduce the risk of injury, user must read and understand operator's manual before using this product.
	Eye Protection	Always wear eye protection with side shields marked to comply with ANSI Z87.1.
	Ricochet	Thrown objects can ricochet and result in personal injury or property damage.
	Keep Hands Out of Impeller	Keep hands away from rotating impeller.
	Keep Feet Out of Impeller	Keep feet away from rotating impeller.
	Keep Hands and Feet Away	Keep hands and feet away from impeller and discharge chute.
	Keep Children and Bystanders Away	Keep all children and bystanders at least 100 ft. away.
	Keep Hands and Feet Away	Keep hands and feet away from rotating impeller.
	No Slope	Do not operate on inclines greater than 15°. Walk across the face of slopes, never up and down.

# SYMBOLS

Some of the following symbols may be used on this product. Please study them and learn their meaning. Proper interpretation of these symbols will allow you to operate the product better and safer.

SYMBOL	NAME	DESIGNATION/EXPLANATION
	Recycle Symbol	This product uses lithium-ion (Li-ion) batteries. Local, state, or federal laws may prohibit disposal of batteries in ordinary trash. Consult your local waste authority for information regarding available recycling and/or disposal options.
==	Direct Current	Type or a characteristic of current
V	Volts	Voltage
A	Amperes	Current
Hz	Hertz	Frequency (cycles per second)
W	Watt	Power
hrs	Hours	Time

# FEATURES

## PRODUCT SPECIFICATIONS

Motor ..... 40 Volt DC  
Clearing Width ..... 20 in.  
Clearing Depth ..... 10 in.

Impeller Size ..... 17 in.  
Wheel Size ..... 8 in.  
Throwing Distance ..... Up to 25 ft.

## KNOW YOUR SNOW BLOWER

See Figure 1.

The safe use of this product requires an understanding of the information on the product and in this operator's manual as well as a knowledge of the project you are attempting. Before use of this product, familiarize yourself with all operating features and safety rules.

## BATTERY COVER

The battery cover protects the battery port from moisture and debris.

## CHUTE DEFLECTOR HANDLE

The chute deflector handle allows you to change the distance that snow will discharge from the chute.

## CHUTE ROTATION LEVER

The chute rotation lever allows you to choose the direction that snow will discharge from the snow blower. The lever allows the chute to rotate up to 180°.

## LED HEADLIGHTS

LED headlights are located on the upper handle to illuminate your path when using the snow blower in low light conditions. Depress the on/off button to turn the headlights on and off.

# ASSEMBLY

## UNPACKING

This product requires assembly.

- Carefully remove the product and any accessories from the box. Make sure that all items listed in the packing list are included.

### WARNING:

Do not use this product if any parts on the Packing List are already assembled to your product when you unpack it. Parts on this list are not assembled to the product by the manufacturer and require customer installation. Use of a product that may have been improperly assembled could result in serious personal injury.

- Inspect the product carefully to make sure no breakage or damage occurred during shipping.
- Do not discard the packing material until you have carefully inspected and satisfactorily operated the product.
- If any parts are damaged or missing, please call 1-800-860-4050 for assistance.

## PACKING LIST

Snow Blower  
Handle Mounting Hardware  
Upper and Intermediate Handles  
Chute Deflector  
Chute Rotation Lever Upper and Lower Rods with Hitch Pin  
Operator's Manual

### WARNING:

If any parts are damaged or missing, do not operate this product until the parts are replaced. Use of this product with damaged or missing parts could result in serious personal injury.

### WARNING:

Do not attempt to modify this product or create accessories not recommended for use with this product. Any such alteration or modification is misuse and could result in a hazardous condition leading to possible serious personal injury.

### WARNING:

Do not insert battery pack until assembly is complete and you are ready to mow. Failure to comply could result in accidental starting and possible serious personal injury.

# ASSEMBLY

## **WARNING:**

To prevent accidental starting, do not make any adjustments or installations with the battery pack inserted. Accidental starting of the snow blower during assembly could result in serious personal injury.

## **INSTALLING INTERMEDIATE HANDLE**

See Figure 2.

- Align the holes on the intermediate handle with the holes in the lower handle as shown.
- Insert J-bolt through both handles with the threaded end at the bottom and facing inside.
- Install the handle knob and tighten securely to secure the bolt in place.
- Repeat on the opposite side to secure the intermediate handle in place.

## **INSTALLING CHUTE ROTATION LEVER BOTTOM ROD**

See Figure 3.

**NOTE:** The lever bracket and opening on the back of the snow blower housing are keyed to match the end of the chute rotation lever bottom rod. Make sure to orient the rod in the same direction as the keyed holes when installing the lever.

- Slide the end of the chute rotation lever bottom rod through the bracket on the intermediate handle.
- Insert the rod into the hole in the snow blower housing until it is fully seated.

## **INSTALLING UPPER HANDLE**

See Figures 4 - 5.

- Align the hole on the upper handle with the hole in the intermediate handle as shown.

## **NOTICE:**

Do not allow the starter cable to become pinched or trapped when aligning the handles.

- Insert threaded end of handle lock through both handles with the threaded end facing inside.

- Install the handle knob and tighten to secure.
- Repeat on the opposite side.
- Open the handle locks.
- Pull up and back on the upper handle to raise it into operating position.

## **NOTICE:**

Do not allow the starter cable to become pinched or trapped when raising the handle.

- Close the handle locks to secure the upper handle in place.

**NOTE:** If the upper handle is loose or separated from the lower handle, tighten the knobs on the handle locks by turning them clockwise.

## **To lower the handle assembly:**

- Open the handle locks.  
**NOTE:** If the handle lock is difficult to open, loosen the knobs on the handle locks by turning them counterclockwise.
- Lower the upper handle.

## **INSTALLING CHUTE ROTATION LEVER UPPER ROD**

See Figure 6.

- Install the upper rod of the chute rotation lever over the lower end of the lever. Align the holes in the two parts of the lever and insert the hitch pin through the holes as shown to secure.
- Turn the lever left and right to verify the proper functioning of the lever and the chute.

## **INSTALLING CHUTE DEFLECTOR**

See Figure 7.

- Spread the sides of the chute deflector slightly and position over the top of the chute.
- Shift the position of the deflector as needed so the tabs on the chute are fully seated into the openings on the deflector as shown.

# OPERATION

## **WARNING:**

Do not allow familiarity with products to make you careless. Remember that a careless fraction of a second is sufficient to inflict serious injury.

## **WARNING:**

Always wear eye protection with side shields marked to comply with ANSI Z87.1. Failure to do so could result in objects being thrown into your eyes resulting in possible serious injury.

## **WARNING:**

Do not use any attachments or accessories not recommended by the manufacturer of this product. The use of attachments or accessories not recommended can result in serious personal injury.

## **NOTICE:**

Before each use, inspect the entire product for damaged, missing, or loose parts such as screws, nuts, bolts, caps, etc. Tighten securely all fasteners and caps and do not operate this product until all missing or damaged parts are replaced. Please call 1-800-860-4050 or contact an authorized service center for assistance.

This product will accept Ryobi 40V lithium-ion battery packs only.

For complete charging instructions, refer to the Operator's Manuals for your Ryobi battery pack and charger models.

## **APPLICATIONS**

You may use this product for the purpose listed below:

- Removing snow from desired areas such as driveways and sidewalks

## **WARNING:**

Always remove battery pack or disconnect the snow blower from power supply when you are assembling parts, making adjustments, cleaning, or when not in use. This will prevent accidental starting that could cause serious personal injury.

## **TO INSTALL BATTERY PACK**

*See Figure 8.*

- Raise the battery cover.
- Place the battery pack in the snow blower. Align raised ribs on battery pack with grooves in the battery port.

## **WARNING:**

Make sure the latch on the bottom of the battery pack snaps in place and the battery pack is fully seated and secure in the battery port before beginning operation. Failure to securely seat the battery pack could cause the battery pack to fall out, resulting in serious personal injury.

- Lower the battery cover.

## **TO REMOVE BATTERY PACK**

*See Figure 8.*

- Raise the battery cover.
- Press and hold the battery latch button at the bottom of the battery pack.
- Remove battery pack from the snow blower.

## **WARNING:**

To avoid serious personal injury, always remove the battery pack when moving or transporting the tool.

## **STARTING/STOPPING THE SNOW BLOWER**

*See Figures 9.*

- Raise the battery cover.
- Install battery pack.
- Lower the battery cover.
- Press and hold the start button. Pull the bail toward the handle and release the start button to start the snow blower.
- To stop the unit, release the bail.

# OPERATION

## ADJUSTING THE CHUTE

See Figures 10 - 13.

The chute can be adjusted to change both the direction and the distance to assist you in moving snow away from one area and placing it in another.

The **direction** of snow removal can be adjusted up to 180°.

- Turn the chute rotation lever to the left to rotate the chute to the left.
- Turn the chute rotation lever to the right to rotate the chute to the right.

The **distance** the snow is moved is adjusted using the chute deflector handle. Squeeze the two parts of the chute deflector handle together to adjust.

- Move the chute deflector forward (up) to increase the distance the snow will be thrown.

### **WARNING:**

Do not force the chute so far forward that a gap appears between the deflector and the chute itself. Snow or other debris could be thrown through the gap back at the operator, resulting in serious personal injury.

- Move the chute deflector backward (down) to decrease the distance the snow will be thrown.

## OPERATING TIPS

### **WARNING:**

Never use snow blower on frozen lakes, rivers, or similar surfaces. Death or serious injury could occur if the ice breaks.

### **WARNING:**

Never use the snow blower on a rooftop or other unstable surface, which can result in death or serious personal injury.

### **WARNING:**

Do not use snow blower on ice, which can cause the operator to slip and fall, resulting in possible serious personal injury.

### **WARNING:**

Do not wear loose clothing, scarves, or jewelry. They can be caught in moving parts and cause death or serious personal injury.

### **WARNING:**

Keep all snow discharge pointed away from all electrical devices to reduce the risk of electrocution or electric shock.

### **WARNING:**

Never point the snow blower or discharge chute in the direction of people or pets. Thrown snow or other objects can cause serious personal injuries.

### **WARNING:**

Make sure the area to be cleared is free of stones, sticks, wires, gravel, and other objects that could be accidentally thrown by the snow blower in any direction and cause serious personal injury to the operator and others.

- If the unit comes in contact with any type of obstruction or debris during use, stop the snow blower, remove the battery pack, remove the obstruction, and inspect the unit carefully for damage before proceeding.

### **WARNING:**

Never reach into the discharge chute or place any body part in front of the snow blower when the unit is operating or when the battery pack is installed. Always ensure all moving parts have stopped and the battery pack has been removed before clearing any obstructions. Failure to follow these instructions can result in serious personal injury.

- Take notice of the direction of the wind before beginning. When possible, discharge snow in the same direction as the wind to prevent snow from being thrown back into your face.
- Some parts of the snow blower can freeze under extreme weather conditions. Do not attempt to operate the unit with frozen parts.
- When finished, allow the motor to run for an additional few minutes, then turn the chute rotation lever back and forth several times to remove any remaining snow from the chute.

# MAINTENANCE

## **WARNING:**

When servicing, use only authorized replacement parts. Use of any other parts can create a hazard or cause product damage.

## **WARNING:**

Always wear eye protection with side shields marked to comply with ANSI Z87.1. Failure to do so could result in objects being thrown into your eyes resulting in possible serious injury.

## **WARNING:**

Before performing any maintenance, make sure the snow blower battery is removed to avoid accidental starting and possible serious personal injury.

## **NOTICE:**

Periodically inspect the entire product for damaged, missing, or loose parts such as screws, nuts, bolts, caps, etc. Tighten securely all fasteners and caps and do not operate this product until all missing or damaged parts are replaced. Please call 1-800-860-4050 or contact an authorized service center for assistance.

## **GENERAL MAINTENANCE**

Avoid using solvents when cleaning plastic parts. Most plastics are susceptible to damage from various types of commercial solvents and may be damaged by their use. Use clean cloths to remove dirt, dust, oil, grease, etc.

## **WARNING:**

Do not at any time let brake fluids, gasoline, petroleum-based products, penetrating oils, etc., come in contact with plastic parts. Chemicals can damage, weaken, or destroy plastic which can result in serious personal injury.

## **LUBRICATION**

All of the bearings in this product are lubricated with a sufficient amount of high grade lubricant for the life of the unit under normal operating conditions. Therefore, no further bearing lubrication is required.

## **STORING THE SNOW BLOWER**

See Figure 14.

## **CAUTION:**

Ensure all melted snow that may drip from the snow blower is properly wiped up to prevent a slip and fall hazard.

- Remove the battery and store in a secure location out of the reach of children.
- Before storage, wipe any moisture, dirt, or debris from the battery area.
- Wipe the snow blower with a clean dry cloth.
- Check all nuts, bolts, knobs, screws, fasteners, etc., for tightness.
- Inspect moving parts for damage, breakage, and wear. Have repairs made on any damaged or missing parts.
- Remove the hitch pin and disassemble the chute rotation lever. Reinstall the hitch pin in one of the rods for storing.
- Open the handle locks and lower the upper handle assembly as shown.
- Store snow blower and chute rotation lever upper rod indoors in a clean, dry place out of the reach of children.
- Do not store near corrosive materials such as fertilizer or rock salt.

# TROUBLESHOOTING

IF THESE SOLUTIONS DO NOT SOLVE THE PROBLEM CONTACT YOUR AUTHORIZED SERVICE DEALER.

PROBLEM	POSSIBLE CAUSE	SOLUTION
Handle not in position.	Handle locks not locked.	Lock upper and lower handle locks.
Snow blower not starting.	Battery is low in charge.	Charge the battery.
	Start button is not depressed.	Press start button.
The motor is on but the impeller does not turn.	The drive belt is worn or broken.	Have the drive belt replaced by an authorized service center.
After passing, the snow blower leaves a layer of snow on the ground.	The impeller/scrapper mechanism is worn.	Have the impeller/scrapper mechanism replaced by an authorized service center.



## MAKE THE MOST OF YOUR PURCHASE!

Go to <http://register.ryobitools.com> and register your new tool on-line.

Your product has been fully tested prior to shipment to ensure your complete satisfaction.

For any questions about operating or maintaining your product, call the Ryobi® Help Line!



# WARRANTY

## LIMITED WARRANTY STATEMENT

Techtronic Industries North America, Inc., warrants to the original retail purchaser that this RYOBI® brand outdoor product is free from defect in material and workmanship and agrees to repair or replace, at Techtronic Industries North America, Inc.'s, discretion, any defective product free of charge within these time periods from the date of purchase.

- Five years if the product is used for personal, family or household use;
- 90 days, if used for any other purpose, such as commercial or rental.

This warranty extends to the original retail purchaser only and commences on the date of the original retail purchase.

Any part of this product found in the reasonable judgment of Techtronic Industries North America, Inc. to be defective in material or workmanship will be repaired or replaced without charge for parts and labor by an authorized service center for RYOBI® brand outdoor products (Authorized Ryobi Service Center).

The product, including any defective part, must be returned to an authorized Ryobi service center within the warranty period. The expense of delivering the product to the service center for warranty work and the expense of returning it back to the owner after repair or replacement will be paid by the owner. Techtronic Industries North America, Inc.'s, responsibility in respect to claims is limited to making the required repairs or replacements and no claim of breach of warranty shall be cause for cancellation or rescission of the contract of sale of any RYOBI® brand outdoor product. Proof of purchase will be required by the dealer to substantiate any warranty claim. All warranty work must be performed by an authorized service dealer.

This warranty is limited to ninety (90) days from the date of original retail purchase for any RYOBI® brand outdoor product that is used for rental or commercial purposes, or any other income-producing purpose.

This warranty does not cover any product that has been subject to misuse, neglect, negligence, or accident, or that has been operated in any way contrary to the operating instructions as specified in this operator's manual. This warranty does not apply to any damage to the product that is the result of improper maintenance or to any product that has been altered or modified. The warranty does not extend to repairs made necessary by normal wear or by the use of parts or accessories which are either incompatible with the RYOBI® brand outdoor product or adversely affect its operation, performance, or durability. In addition, this warranty does not cover:

A. Tune-ups – Spark Plugs, Carburetor, Carburetor Adjustments, Ignition, Filters

B. Wear items – Bump Knobs, Outer Spools, Cutting Lines, Inner Reels, Starter Pulleys, Starter Ropes, Drive Belts, Tines, Felt Washers, Hitch Pins, Mulching Blades, Blower Fans, Blower and Vacuum Tubes, Vacuum Bag and Straps, Guide Bars, Saw Chains

C. This warranty does not cover the battery for more than three years from date of purchase.

Techtronic Industries North America, Inc., reserves the right to change or improve the design of any RYOBI® brand outdoor product without assuming any obligation to modify any product previously manufactured.

ALL IMPLIED WARRANTIES ARE LIMITED IN DURATION TO THE STATED WARRANTY PERIOD. ACCORDINGLY, ANY SUCH IMPLIED WARRANTIES INCLUDING MERCHANTABILITY, FITNESS FOR A PARTICULAR PURPOSE, OR OTHERWISE, ARE DISCLAIMED IN THEIR ENTIRETY AFTER THE EXPIRATION OF THE APPROPRIATE FIVE-YEAR OR NINETY-DAY WARRANTY PERIOD. TECHTRONIC INDUSTRIES NORTH AMERICA, INC.'S, OBLIGATION UNDER THIS WARRANTY IS STRICTLY AND EXCLUSIVELY LIMITED TO THE REPAIR OR REPLACEMENT OF DEFECTIVE PARTS AND TECHTRONIC INDUSTRIES NORTH AMERICA, INC., DOES NOT ASSUME OR AUTHORIZE ANYONE TO ASSUME FOR THEM ANY OTHER OBLIGATION. SOME STATES DO NOT ALLOW LIMITATIONS ON HOW LONG AN IMPLIED WARRANTY LASTS, SO THE ABOVE LIMITATION MAY NOT APPLY TO YOU. TECHTRONIC INDUSTRIES NORTH AMERICA, INC., ASSUMES NO RESPONSIBILITY FOR INCIDENTAL, CONSEQUENTIAL, OR OTHER DAMAGES INCLUDING, BUT NOT LIMITED TO, EXPENSE OF RETURNING THE PRODUCT TO AN AUTHORIZED RYOBI SERVICE CENTER AND EXPENSE OF DELIVERING IT BACK TO THE OWNER, MECHANIC'S TRAVEL TIME, TELEPHONE OR TELEGRAM CHARGES, RENTAL OF A LIKE PRODUCT DURING THE TIME WARRANTY SERVICE IS BEING PERFORMED, TRAVEL, LOSS OR DAMAGE TO PERSONAL PROPERTY, LOSS OF REVENUE, LOSS OF USE OF THE PRODUCT, LOSS OF TIME, OR INCONVENIENCE. SOME STATES DO NOT ALLOW THE EXCLUSION OR LIMITATION OF INCIDENTAL OR CONSEQUENTIAL DAMAGES, SO THE ABOVE LIMITATION OR EXCLUSION MAY NOT APPLY TO YOU.

This warranty gives you specific legal rights, and you may also have other rights which vary from state to state.

This warranty applies to all RYOBI® brand outdoor products manufactured by or for Techtronic Industries North America, Inc., and sold in the United States and Canada.

To locate your nearest Authorized Ryobi Service Center, dial 1-800-860-4050.

# INSTRUCTIONS IMPORTANTES CONCERNANT LA SÉCURITÉ



## AVERTISSEMENT :

**LISEZ ET VEILLEZ À COMPRENDRE TOUTES LES INSTRUCTIONS.** Le non respect des instructions énumérées ci-dessous et sur la machine pourrait résulter en un choc électrique, un incendie, et/ou des blessures sérieuses.




- Apprendre à connaître l'outil. Lire attentivement le manuel d'utilisation. Apprendre les applications et les limites de l'outil, ainsi que les risques spécifiques relatifs à son utilisation. Le respect de cette consigne réduira les risques d'incendie, de choc électrique et de blessures graves.
- Interdire l'utilisation du souffleur à neige aux enfants. Ce n'est pas un jouet.
- Utiliser exclusivement les accessoires recommandés par le fabricant pour le modèle d'outil concerné décrit dans ce manuel. Des accessoires appropriés pour un outil peuvent être dangereux s'ils sont utilisés avec un autre. Utiliser exclusivement selon les instructions de ce manuel.
- Ne pas manipuler le chargeur, la fiche du chargeur et les bornes du chargeur avec des mains humides.
- Ne pas insérer d'objet dans les ouvertures. Ne pas utiliser si une ouverture est bloquée ; veiller à ce que les ouvertures ne soient jamais obstruées par de la poussière, de la peluche, des cheveux ou quoi que ce soit risquant de réduire le flux d'air.
- Garder les cheveux, les vêtements amples, les doigts et toute autre partie du corps à l'écart des ouvertures et pièces en mouvement.
- Désactiver toutes les commandes avant de retirer la pile.
- Ne pas utiliser d'outils dans des atmosphères explosives, en présence de liquides, de gaz ou de poussières inflammables par exemple. Les outils motorisés produisent des étincelles qui risquent d'enflammer les poussières ou les vapeurs.
- Éloigner les badauds, enfants et visiteurs à une distance d'au moins 30,5 m (100 pi) pendant l'utilisation d'un outil motorisé. Les distractions peuvent causer une perte de contrôle.
- Les piles d'outils motorisés, qu'elles soient intégrées ou amovibles, ne doivent être rechargées qu'avec le chargeur spécifié. Un chargeur approprié pour un type de pile peut créer un risque d'incendie s'il est utilisé avec un autre type de pile.
- Utiliser exclusivement le bloc-pile spécifiquement indiqué pour l'outil. L'utilisation de toute autre pile peut créer un risque d'incendie.
- Ne recharger les batteries qu'avec l'appareil indiqué. Pour utiliser l'appareil avec des piles au lithium-ion de 40 V, consulter le supplément de raccordement pour chargeur/outils/piles/appareil n° 988000-842.
- Ne pas utiliser un chargeur dont la prise ou le cordon sont endommagés au risque de causer un court-circuit et un choc électrique. Le cas échéant, faire remplacer la prise ou le cordon immédiatement par un centre de réparations agréé.
- Si l'appareil ne fonctionne pas correctement, s'il a été échappé, s'il est endommagé, s'il a été laissé à l'extérieur ou s'il est tombé dans l'eau, retourner le produit au centre de réparations.
- Rester attentif, prêter attention au travail et faire preuve de bon sens lors de l'utilisation de tout outil motorisé. Ne pas utiliser cet outil en état de fatigue, vexé ou sous l'influence d'alcool, de drogues ou de médicaments. Un moment d'inattention pendant l'utilisation d'un outil motorisé peut causer des blessures graves.
- Éviter les démarrages accidentels. Le transport d'outils avec le doigt sur la bouton « Start » [démarrer] ou l'insertion du bloc-pile avec la bouton enfoncé présente un risque d'accident.
- Utiliser un équipement de sécurité. Toujours porter des lunettes de protection. Suivant les conditions, le port d'un masque filtrant, de chaussures de sécurité, d'un casque ou d'une protection auditive est recommandé.
- Porter une tenue appropriée — Ne porter ni vêtements amples, foulards, ni bijoux. Ils peuvent être pris dans les parties en mouvement.
- Déconnecter le bloc-piles avant d'effectuer des réglages, de changer d'accessoire ou de remettre l'outil. Ces mesures de sécurité réduisent les risques de démarrage accidentel de l'outil.
- Lorsque le bloc-piles n'est pas utilisé, le tenir à l'écart d'objets métalliques tels que : les attaches trombones, les pièces de monnaie, les clous, les vis et les autres petits objets métalliques risquant d'établir le contact entre les deux bornes. La mise en court-circuit des bornes de piles peut causer des étincelles, des brûlures ou un incendie.
- Vérifier qu'aucune pièce mobile n'est mal alignée ou bloquée, qu'aucune pièce n'est brisée et s'assurer qu'aucun autre problème ne risque d'affecter le bon fonctionnement de l'outil. En cas de dommages, faire réparer l'outil avant de l'utiliser de nouveau. Beaucoup d'accidents sont causés par des outils mal entretenus.
- Garder l'outil et sa poignée secs, propres et exempts d'huile ou de graisse. Toujours utiliser un chiffon propre pour le nettoyage. Ne jamais nettoyer l'outil avec du liquide de frein, de l'essence, des produits à base de pétrole ou des solvants puissants. Le respect de cette règle réduira les risques de perte du contrôle et de dommage du boîtier en plastique.
- Toujours porter des lunettes de sécurité avec écrans latéraux. Les lunettes de vue ordinaires sont munies seulement de verres résistants aux impacts. Ce ne sont PAS des lunettes de sécurité. Le respect de cette règle réduira les risques de choc électrique.
- Porter une protection oculaire avec écrans latéraux certifiée conforme à la norme ANSI Z87.1 lors de l'utilisation de ce produit.
- Protection auditive. Porter une protection auditive lors de l'utilisation prolongée. Le respect de cette règle réduira les risques de blessures graves.
- Les outils fonctionnant sur piles n'ayant pas besoin d'être branchés sur une prise secteur, ils sont toujours en état de fonctionnement. Tenir compte des dangers possibles lorsque l'outil n'est pas en usage et lors du remplacement des piles. Le respect de cette consigne réduira les risques d'incendie, de choc électrique et de blessures graves.

# INSTRUCTIONS IMPORTANTES CONCERNANT LA SÉCURITÉ










- Ne pas placer les outils motorisés sans fil ou leurs piles à proximité de flammes ou d'une source de chaleur. Ceci réduira les risques d'explosion et de blessures.
- Ne pas exposer les outils motorisés à la pluie. La pénétration d'eau dans ces outils accroît le risque de choc électrique.
- Porter des pantalons longs, des bottes et des gants. Éviter de porter des vêtements lâches ou des bijoux qui pourraient être pris dans les pièces en mouvement de la machine ou le moteur.
- Porter des bottes de caoutchouc lors de l'utilisation de la souffleuse à neige. Chaussures de protection aura pour protéger vos pieds et améliorer l'équilibre sur des surfaces glissantes. Ne pas travailler pieds nus ou porter de sandales.
- Se tenir bien campé et en équilibre. Ne pas travailler hors de portée de l'outil. Cette façon de travailler pourrait vous faire perdre l'équilibre.
- Ne pas diriger la goulotte vers des personnes ou un animaux. La neige et d'autres objets éjectés représentent un risque de blessures graves.
- Ne jamais utiliser la souffleuse à neige sans les accessoires appropriés installés. S'assurer que le déflecteur de goulotte de la souffleuse à neige est installé.
- Lorsqu'il n'est pas utilisé, l'outil doit être rangé à l'intérieur dans un endroit sec et sous verrou, hors de la portée des enfants.
- Garder tous les badauds, enfants et animaux domestiques à une distance d'au moins 30,5 m (100 pi).
- Ne pas jeter de bloc-piles gravement endommagé ou usé et ce souffleuse à neige dans un feu. La pile incendiée peut exploser.
- Le service d'outil doit être seulement exécuté par le personnel de réparation qualifié. Entretenir ou l'entretien exécuté par le personnel incompetent peut avoir pour résultat un risque de blessure.
- En entretenant un outil, un usage un remplacement seulement identique sépare. Suivre des instructions dans la section d'Entretien de ce manuel. L'usage de parties ou l'échec inautorisées pour suivre les Instructions d'Entretien peuvent créer un risque de choc ou de blessure.
- Ne jamais utiliser la souffleuse à neige à proximité de flammes, d'un foyer, de cendres chaudes, d'un grill, etc. Ne pas respecter cette directive peut faire en sorte que les flammes se propagent, ce qui peut causer des blessures ou des dommages à la propriété.
- Ne jamais utiliser la souffleuse à neige pour répandre des produits chimiques, des fertilisants ou toute autre substance toxique. Le fait de répandre ces substances peut faire en sorte d'infliger des blessures à l'utilisateur ou à des tierces personnes.
- Ne jamais placer la souffleuse à neige en marche sur une surface, sauf si celle-ci est dure et propre. Le gravier, le sable et les autres débris peuvent être aspirés dans l'entrée d'air et projetés en direction de l'utilisateur ou des personnes à proximité, ce qui peut entraîner des blessures graves.
- Examiner la zone de travail avant chaque utilisation. Débarrasser tous les objets tels que cailloux, verre brisé, clous, fils métalliques, cordes, etc. risquant d'être éjectés ou de se prendre dans la machine.
- Ne pas utiliser la souffleuse à neige sur la glace pour éviter de glisser et de chuter et éviter ainsi les blessures graves.
- Ne jamais utiliser la souffleuse à neige sur les lacs et les rivières gelées ou d'autres surfaces semblables. Les bris de la glace représentent un risque de blessures graves ou mortelles.
- Ne jamais utiliser la souffleuse à neige sur un toit ou d'autres surfaces instables pour éviter les blessures graves ou mortelles.
- Pour usage domestique seulement.
- Utilisez l'outil approprié — N'utilisez pas la souffleuse à neige pour aucune tâche sauf celle pour laquelle elle est conçue.
- Ne forcez pas la souffleuse à neige — Elle exécutera le travail mieux et de façon plus sécuritaire à la vitesse pour laquelle elle fut conçue.
- N'éjectez jamais du matériel en direction de quelqu'un. Évitez d'éjecter le matériel sur un mur ou une obstruction. Le matériel pourrait être projeté par ricochet en direction de l'opérateur. Arrêtez la souffleuse à neige quand vous traversez des surfaces recouvertes de gravier ou rocailleuses.
- Si la souffleuse à neige frappe un objet étranger, suivez ces étapes:
  - Arrêter la souffleuse à neige en relâchant poignée en forme d'anse et attendre que l'appareil s'arrête complètement.
  - Retirer le bloc-piles.
  - Inspectez attentivement la souffleuse à neige pour desceller les dommages.
  - Réparez tout dommage avant de démarrer et de continuer à utiliser la souffleuse à neige.
- Ne pas soulever ou tenir la souffleuse à neige au-dessus du sol pendant qu'elle fonctionne pour éviter une perte de contrôle et le risque de blessures graves. Faire uniquement fonctionner la souffleuse à neige conformément aux instructions d'utilisation dans ce manuel d'utilisation.
- Maintenir les dispositifs de protection en place et en bon état de fonctionnement.
- Manipuler soigneusement les souffleuses à neige — Suivre les instructions de lubrification et de changement d'accessoires.
- Conserver ces instructions. Les consulter fréquemment et les utiliser pour instruire les autres utilisateurs éventuels. Si cet outil est prêté, il doit être accompagné de ces instructions.

# SYMBOLES

Les termes de mise en garde suivants et leur signification ont pour but d'expliquer le degré de risques associé à l'utilisation de ce produit.



SYMBOLE	SIGNAL	SIGNIFICATION
	<b>DANGER :</b>	Indique une situation extrêmement dangereuse qui, si elle n'est pas évitée, aura pour conséquences des blessures graves ou mortelles.
	<b>AVERTISSEMENT :</b>	Indique une situation potentiellement dangereuse qui, si elle n'est pas évitée, pourrait entraîner des blessures graves ou mortelles.
	<b>ATTENTION :</b>	Indique une situation potentiellement dangereuse qui, si elle n'est pas évitée, pourrait entraîner des blessures légères ou de gravité modérée.
	<b>AVIS :</b>	(Sans symbole d'alerte de sécurité) Indique une information importante ne concernant pas un risque de blessure comme une situation pouvant occasionner des dommages matériels.

Certains des symboles ci-dessous peuvent être utilisés sur produit. Veiller à les étudier et à apprendre leur signification. Une interprétation correcte de ces symboles permettra d'utiliser produit plus efficacement et de réduire les risques.

SYMBOLE	NOM	DÉSIGNATION / EXPLICATION
	Symbole d'alerte de sécurité	Indique un risque de blessure potentiel.
	Lire manuel d'utilisation	Pour réduire les risques de blessures, l'utilisateur doit lire et veiller à bien comprendre le manuel d'utilisation avant d'utiliser ce produit.
	Protection oculaire	Toujours porter une protection oculaire munie d'écrans latéraux certifiée conforme à la norme ANSI Z87.1.
	Ricochet	Les objets projetés peuvent ricocher et infliger des blessures ou causer des dommages matériels.
	Tenir les mains éloignées de la tarière	Tenir les mains éloignées de la tarière en mouvement.
	Garder les pieds éloignés de la tarière	Garder les pieds éloignés de la tarière en mouvement.
	Garder les mains et les pieds à l'écart	Garder les mains et les pieds à l'écart de la rotor et goulotte.
	Tenir les enfants et les curieux à bonne distance	Tenir les enfants et les curieux à une distance de 30,5 m (100 pi) au moins.
	Garder les mains et les pieds à l'écart	Tenir les mains et les pieds éloignées de la tarière en mouvement.

# SYMBOLES

Certains des symboles ci-dessous peuvent être utilisés sur produit. Veiller à les étudier et à apprendre leur signification. Une interprétation correcte de ces symboles permettra d'utiliser produit plus efficacement et de réduire les risques.

SYMBOLE	NOM	DÉSIGNATION / EXPLICATION
	Éviter les pentes	Ne pas utiliser sur des pentes de plus de 15°. Travailler les pentes dans le sens transversal, jamais en montant ou en descendant.
	Symbole de recyclage	Ce produit utilise les piles de lithium-ion (Li-ion). Les réglementations locales ou gouvernementales peuvent interdire de jeter les piles dans les ordures ménagères. Consulter les autorités locales compétentes pour les options de recyclage et/ou l'élimination.
≡	Courant continu	Type ou caractéristique du courant
V	Volts	Tension
A	Ampères	Intensité
Hz	Hertz	Fréquence (cycles par seconde)
W	Watt	Puissance
hrs	Heures	Durée

# CARACTÉRISTIQUES

## FICHE TECHNIQUE

Moteur ..... 40 V c.c.  
Largeur de déblaiement ..... 508 mm (20 po)  
Profondeur de dégagement ..... 254 mm (10 po)

Dimension de la tarière..... 432 mm (17 po)  
Grandeur des roues..... 203 mm (8 po)  
Distance d'éjection..... Jusqu'à 7,6 m (25 pi)

## APPRENEZ À CONNAÎTRE VOTRE SOUFFLEUSE À NEIGE

Voir la figure 1.

L'utilisation sécuritaire de ce produit nécessite une compréhension de l'information sur le produit et dans le manuel de l'utilisation ainsi que la connaissance du projet à effectuer. Avant d'utiliser ce produit, familiarisez-vous avec toutes les fonctions d'utilisation et les règles de sécurité.

## COUVERCLE DES PILES

Le couvercle de pile protège le logement de piles contre les débris.

## POIGNÉE DU DÉFLECTEUR DE GOULOTTE

La poignée du déflecteur de goulotte permet de modifier la distance de la neige éjectée par la goulotte.

## LEVIER DE ROTATION DE GOULOTTE

Le levier de rotation de goulotte permet de choisir la direction de la neige éjectée par la souffleuse à neige. Le levier permet de faire tourner la goulotte jusqu'à 180°.

## PHARES DEL

Les phares DEL sont situés sur la poignée supérieure afin d'éclairer la voie pour pouvoir utiliser la souffleuse à neige lorsque les conditions d'éclairage sont faibles. Utiliser l'interrupteur d'éclairage pour allumer ou éteindre les phares DEL.

# ASSEMBLAGE

## DÉBALLAGE

Ce produit nécessite l'assemblage.

- Retirez prudemment l'outil et les accessoires de la boîte. Assurez-vous que tous les articles énumérés dans la liste de colisage sont inclus.

### AVERTISSEMENT :

Ne pas utiliser le produit si, en le déballant, vous constatez que des éléments figurant dans la liste d'expédition sont déjà assemblés. Certaines pièces figurant sur cette liste n'ont pas été assemblées par le fabricant et exigent une installation. Le fait d'utiliser un produit qui a été assemblé de façon inadéquate peut entraîner des blessures.

- Vérifiez attentivement si l'outil n'a pas subi des dommages ou des bris pendant le transport.
- Ne jetez pas l'emballage avant d'avoir inspecté l'outil et avant d'avoir vérifié s'il fonctionne correctement.
- Si des pièces sont manquantes ou endommagées, veuillez appeler au 1-800-860-4050 pour obtenir de l'aide.

## LISTE D'EXPÉDITION

Souffleuse à neige

Quincaillerie de montage pour poignée

Poignées supérieure et intermédiaire

Déflecteur de goulotte

Tiges supérieur et inférieur de la levier de rotation de goulotte avec goupille d'attelage

Manuel d'utilisation

### AVERTISSEMENT :

Si des pièces manquent ou sont endommagées, ne pas utiliser ce produit avant qu'elles aient été remplacées. Le fait d'utiliser ce produit même s'il contient des pièces endommagées ou s'il lui manque des pièces peut entraîner des blessures graves.

### AVERTISSEMENT :

N'essayez pas de modifier cet outil ou de créer des accessoires non recommandés pour utilisation avec ce produit. Toute transformation ou modification de ce genre est un cas de mauvais usage qui peut créer des risques de blessures graves.

# ASSEMBLAGE

## **AVERTISSEMENT :**

Ne insérer le bloc-piles compléter l'assemblage vous êtes prêt à tonte. Le non respect de cet avertissement pourrait résulter en un démarrage accidentel et des blessures corporelles graves.

## **AVERTISSEMENT :**

Pour empêcher commencer accidentel, ne pas faire d'ajustement ou des installations avec le bloc-piles insérée. Le démarrage accidentel de la souffeuse à neige pendant l'assemblage peut entraîner des blessures graves.

## INSTALLATION DE LA POIGNÉE INTERMÉDIAIRE

Voir la figure 2.

- Aligner les trous de la poignée intermédiaire avec les trous situés sur la poignée inférieure, comme illustré.
- Insérer le boulon en J dans les deux poignées en plaçant l'extrémité fileté vers le bas et face vers l'intérieur.
- Installer le bouton de la poignée et le visser fermement afin d'immobiliser le boulon en place.
- Répéter pour l'autre côté afin de sécuriser la poignée intermédiaire en place.

## INSTALLATION DU TIGE INFÉRIEUR DU LEVIER DE ROTATION DE GOULOTTE

Voir la figure 3.

**NOTE :** Le support de fixation du levier et l'ouverture à l'arrière du logement de la souffeuse à neige sont perforés de manière à faire correspondre l'extrémité de la tige inférieur de rotation de goulotte. S'assurer d'orienter la tige dans la même direction que les trous perforés lors de l'installation du levier.

- Glisser l'extrémité de tige inférieur du levier de rotation de goulotte dans le support de fixation de la poignée intermédiaire.
- Insérer la tige dans le trou du logement de la souffeuse à neige et de l'asseoir correctement.

## INSTALLATION DE LA POIGNÉE SUPÉRIEURE

Voir les figures 4 et 5.

- Aligner le trou de la poignée supérieure avec le trou de la poignée intermédiaire, comme illustré.

### **AVIS :**

Éviter de coincer ou d'emprisonner le câble du démarreur lors de l'alignement des poignées.

- Insérer l'extrémité fileté de le verrou de la poignée dans les deux poignées en plaçant l'extrémité fileté vers face vers l'intérieur.
- Installer le bouton de la poignée et le visser fermement.
- Répéter pour l'autre côté.
- Ouvrir les verrous de la poignée.
- Tirer la poignée vers le haut et l'arrière pour la soulever en position de fonctionnement.

### **AVIS :**

Veiller à ne pas pincer ou d'attraper le câble de démarreur lors du levage du poignée.

- Fermer les verrous de la poignée pour fixer solidement la poignée en place.

**NOTE :** Si la poignée supérieure est lâche ou se sépare de la poignée inférieure, serrez les boutons de verrouillage de la poignée en les tournant dans le sens des aiguilles d'une montre.

### **Pour abaisser l'assemblage de poignées :**

- Ouvrir les verrous de la poignée.  
**NOTE :** Si le verrou de la poignée est difficile à ouvrir, dévisser les boutons de verrouillage de la poignée supérieure en les tournant dans le sens contraire aux aiguilles d'une montre.
- Abaisser la poignée supérieure.

## INSTALLATION DU TIGE SUPÉRIEUR DU LEVIER DE ROTATION DE GOULOTTE

See Figure 6.

- Installer a tige supérieure du levier de rotation de la goulotte par dessus l'extrémité inférieure du levier. Aligner les orifices des deux pièces du levier et insérer la goupille d'attelage dans les orifices, comme illustré, pour immobiliser.
- Tourner le levier vers la gauche et la droite pour vérifier le bon fonctionnement de la goulotte.

## INSTALLATION DU DÉFLECTEUR DE GOULOTTE

Voir la figure 7.

- Écarter légèrement les côtés du déflecteur de goulotte et le placer sur la partie supérieure de la goulotte.
- Déplacer le déflecteur au besoin de manière à ce que les languettes de la goulotte soient complètement assises sur les ouvertures du déflecteur, comme illustré.

# UTILISATION

## **AVERTISSEMENT :**

Ne laissez pas la familiarité tirée d'une utilisation fréquente de ce type de produit atténuer votre vigilance. Souvenez-vous qu'une fraction de seconde d'inattention suffit à infliger des blessures graves.

## **AVERTISSEMENT :**

Toujours porter une protection oculaire munie d'écrans latéraux certifiée conforme à la norme ANSI Z87.1. Si cette précaution n'est pas prise, des objets peuvent être projetés dans les yeux et causer des lésions graves.

## **AVERTISSEMENT :**

N'utilisez aucun ajout ni accessoire non-recommandé par le fabricant de ce produit. L'utilisation des ajouts ou des accessoires non recommandés pourrait résulter en des blessures corporelles graves.

## **AVIS :**

Avant chaque utilisation, inspecter au complet le produit afin de s'assurer qu'aucune pièce (vis, écrous, boulons, chapeaux, etc.) n'est endommagée, manquante ou desserrée. Serrer solidement toutes les pièces de fixation et les chapeaux et ne pas utiliser le produit tant que toutes les pièces manquantes ou endommagées n'ont pas été remplacées. Veuillez composer le 1-800-860-4050 ou communiquer avec un centre de réparations agréé pour obtenir de l'aide.

Ce produit est compatible avec les piles 40 V au lithium-ion de Ryobi.

Pour prendre connaissance de l'ensemble des instructions relatives à la charge, consulter les manuels d'utilisation des batteries de Ryobi et des modèles de chargeur connexes.

## **APPLICATIONS**

Vous pouvez utiliser cet outil pour les tâches énumérées ci-dessous :

- Pour enlever la neige des endroits désirés comme les allées et les trottoirs

## **AVERTISSEMENT :**

Toujours retirer la bloc-pile ou débrancher l'outil de la source d'alimentation au moment d'assembler des pièces, d'effectuer des réglages et de procéder au nettoyage, ou lorsque l'outil n'est pas utilisé. Cela permet d'empêcher un démarrage accidentel pouvant entraîner des blessures graves.

## **INSTALLATION DU BLOC-PILES**

*Voir la figure 8.*

- Ouvrir la couvercle des piles.
- Insérer le bloc-piles dans le souffleur à neige. Aligner la nervure en saillie du bloc-piles sur la rainure du logement du souffleur à neige.

## **AVERTISSEMENT :**

S'assurer que le loquet au bas du bloc-piles s'enclenche et que le bloc-piles est installé et fixé correctement au souffleur à neige avant de commencer le travail. Ne pas installer et fixer correctement le bloc-piles peut provoquer la chute de ce dernier et occasionner des blessures graves.

- Fermeture la couvercle des piles.

## **RETRAIT DU BLOC-PILES**

*Voir la figure 8.*

- Ouvrir la couvercle des piles.
- Appuyer sur le loquet sur le bas du bloc-piles pour le séparer du souffleur à neige.
- Retirer le bloc-piles du souffleur à neige.

## **AVERTISSEMENT :**

Toujours, retirer le bloc-piles lorsque du déplacement ou transporte cet outil pour éviter les blessures graves.

## **DÉMARRAGE/ARRÊT DE LA SOUFFLEUSE À NEIGE**

*Voir la figure 9.*

- Ouvrir la couvercle des piles.
- Installer le bloc-piles.
- Fermeture la couvercle des piles.
- Appuyer sur le bouton « Start » (Démarrer). Tirer le barre et relâcher le bouton pour démarrer la souffleur à neige.
- Pour arrêter la souffleur à neige, relâcher le barre.



# UTILISATION

## AJUSTEMENT DE LA GOULOTTE

Voir les figures 10 à 13.

La goulotte peut être ajustée pour modifier la direction et la distance pour faciliter le déplacement de la neige et l'éjecter vers un autre endroit.

La **direction** d'enlèvement de la neige peut être ajustée jusqu'à 180°.

- Tourner le levier de rotation de goulotte vers la gauche pour tourner la goulotte vers la gauche.
- Tourner le levier de rotation de goulotte vers la droite pour tourner la goulotte vers la droite.

La **distance** d'éjection de la neige s'ajuste à l'aide de la poignée du déflecteur de goulotte. Appuyer sur les deux parties de la poignée du déflecteur de goulotte pour ajuster.

- Déplacer le déflecteur de goulotte vers l'avant (haut) pour augmenter la distance d'éjection de la neige.

### AVERTISSEMENT:

Ne pas pousser le déflecteur trop loin vers l'avant pour éviter de créer un espace entre le déflecteur et la goulotte. La neige ou les autres débris peuvent être éjectés par cet espace vers l'opérateur et le blesser gravement.

- Déplacer le déflecteur de goulotte vers l'arrière (bas) pour diminuer la distance d'éjection de la neige.

## CONSEILS D'UTILISATION

### AVERTISSEMENT:

Ne jamais utiliser la souffleuse à neige sur les lacs et les rivières gelées ou d'autres surfaces semblables. Les bris de la glace représentent un risque de blessures graves ou mortelles.

### AVERTISSEMENT:

Ne jamais utiliser la souffleuse à neige sur un toit ou d'autres surfaces instables pour éviter les blessures graves ou mortelles.

### AVERTISSEMENT:

Ne pas utiliser la souffleuse à neige sur la glace pour éviter de glisser et de chuter et éviter ainsi les blessures graves.

### AVERTISSEMENT:

Ne pas porter de vêtements lâches, de foulards, ni de bijoux. Ils peuvent se coincer dans les pièces mobiles et occasionner des blessures graves ou mortelles.

### AVERTISSEMENT :

Placez l'évacuation de la neige loin de tout appareil électrique afin de réduire le risque d'électrocution ou de choc électrique.

### AVERTISSEMENT:

Ne jamais orienter la souffleuse à neige ou la goulotte vers des personnes ou des animaux. La neige et d'autres objets éjectés représentent un risque de blessures graves.

### AVERTISSEMENT:

S'assurer que la zone ne comporte pas de pierres, bâtons, fils métalliques, gravier et autres objets pouvant être éjectés accidentellement dans toutes les directions par la souffleuse à neige et occasionner des blessures graves à l'opérateur ou à d'autres personnes.

- Si la souffleuse à neige frappe une obstruction quelconque ou des débris pendant le déblaiement, arrêter la souffleuse à neige, retirer le bloc-piles, enlever l'obstruction et inspecter soigneusement la souffleuse à neige pour s'assurer qu'elle n'est pas endommagée avant de reprendre le travail.

### AVERTISSEMENT:

Ne jamais tenter d'atteindre ou de placer une partie du corps à l'intérieur de la goulotte pendant que vous êtes devant la souffleuse à neige en marche ou lorsque le bloc-piles est installé. Toujours s'assurer que les pièces mobiles sont arrêtées et que le bloc-piles est retiré avant de dégager les obstructions. Des blessures graves peuvent survenir si ces instructions ne sont pas respectées.

- Tenir compte de la direction du vent avant de commencer. Si possible, éjecter la neige dans la même direction que le vent pour éviter que cette dernière ne soit retournée vers votre visage.
- Certaines pièces de la souffleuse à neige peuvent geler lorsque la température est extrêmement froide. Ne pas tenter de faire fonctionner la souffleuse à neige avec des pièces gelées.
- À la fin du déneigement, laisser fonctionner le moteur pendant quelques minutes puis tourner plusieurs fois le levier de rotation de goulotte pour enlever la neige résiduelle de la goulotte.

# ENTRETIEN

## AVERTISSEMENT :

Utiliser exclusivement des pièces autorisées pour les réparations. L'usage de toute autre pièce pourrait créer une situation dangereuse ou endommager le produit.

## AVERTISSEMENT :

Toujours porter une protection oculaire munie d'écrans latéraux certifiée conforme à la norme ANSI Z87.1. Si cette précaution n'est pas prise, des objets peuvent être projetés dans les yeux et causer des lésions graves.

## AVERTISSEMENT :

Lors de réparation du produit, s'assurer que la pile et la clé de fusible de la souffleuse à neige ont été retirées afin d'éviter un démarrage accidentel et des blessures graves.

## AVIS :

Inspecter périodiquement au complet le produit afin de s'assurer qu'aucune pièce (vis, écrous, boulons, chapeaux, etc.) n'est endommagée, manquante ou desserrée. Serrer solidement toutes les pièces de fixation et les chapeaux et ne pas utiliser le produit tant que toutes les pièces manquantes ou endommagées n'ont pas été remplacées. Veuillez composer le 1-800-860-4050 ou communiquer avec un centre de réparations agréé pour obtenir de l'aide.

## ENTRETIEN GÉNÉRAL

Évitez d'utiliser des solvants quand vous nettoyez des pièces en plastique. La plupart des plastiques résistent mal aux plusieurs types de solvants de commerce et peuvent être endommagés par leur utilisation. Utilisez des chiffons secs pour enlever la saleté, la poussière, l'huile, la graisse, etc.

## AVERTISSEMENT :

Ne permettez jamais à ce que les liquides pour freins, la gasoline, les produits à base de pétrole, les huiles dégrippantes, etc entrent en contact avec les pièces en plastique. Les produits chimiques peuvent endommager, affaiblir ou détruire le plastique ce qui peut résulter en des blessures graves.

## LUBRIFICATION

Tous les roulements de cet outil sont lubrifiés à l'aide d'une quantité suffisante de lubrifiant de haute qualité pour toute la durée de l'outil dans des conditions normales d'utilisation. Alors, aucune lubrification ultérieure n'est nécessaire.

## ENTREPOSAGE DE LA SOUFFLEUSE À NEIGE

Voir la figure 14.

## ATTENTION :

S'assurer que toute la neige fondue pouvant tomber de la souffleuse à neige est complètement essuyée pour éviter les risques de glissement ou de chute.

- Retirez la pile et emmagasiner dans un emplacement assuré de la portée d'enfants.
- Avant de ranger le produit, essuyer toute humidité, saleté ou tout débris se trouvant dans l'environnement de la pile.
- Essuyez la souffleuse à neige avec un chiffon propre et sec.
- Vérifiez si les écrous, les boulons, les boutons, les vis, les attaches, etc sont serrés.
- Vérifiez si les pièces détachables ne sont pas endommagées, brisées ou usées. Faites réparer toutes les pièces manquantes ou endommagées.
- Retirer la goupille d'attelage de et démonter le levier de rotation de goulotte. Réinstaller la goupille d'attelage dans l'une des tiges pour la entreposage.
- Ouvrir les verrous de la poignée et abaisser la ensemble de poignée supérieure, comme illustré.
- Entreposez la souffleuse à neige y tige supérieur de levier de rotation de goulotte à l'intérieur dans un endroit propre et sec, loin de la portée des enfants.
- N'entreposez pas près des matériaux corrosifs tels que les engrais ou le sel gemme.

# DÉPANNAGE

SI LES PRÉSENTES SOLUTIONS NE RÉSOLVENT PAS LE PROBLÈME, CONTACTER LE CENTRE DE RÉPARATIONS AGRÉÉ.

PROBLÈME	CAUSE POSSIBLE	SOLUTION
Poignée en mauvaise position.	Verrous de poignée ouverts.	Fermer les verrous des poignées supérieure et inférieure.
La souffleuse à neige ne démarre pas.	La pile est basse dans la charge. Le bouton de démarrage n'est pas enfoncé.	Charger le bloc-pile. Appuyer sur le bouton de démarrage.
Le moteur fonctionne, mais la tarière ne tourne pas.	La courroie d'entraînement est usée ou brisée.	Faire remplacer la courroie d'entraînement dans un centre de réparations agréé.
Après le passage, la souffleuse à neige laisse une couche de neige au sol.	Le mécanisme de la tarière ou de lame racleuse est usé.	Faire remplacer le mécanisme de la tarière ou de lame racleuse par un centre de réparation agréé.



## TIREZ LE MEILLEUR PARTI DE VOTRE ACHAT!

Visitez le site <http://register.ryobitools.com> pour enregistrer votre nouvel outil en ligne.

Ce produit a été entièrement testé avant expédition pour assurer la complète satisfaction de l'utilisateur.

Pour toute question concernant l'utilisation ou l'entretien du produit, appeler le service d'assistance téléphonique Ryobi®!

# GARANTIE

## ÉNONCÉ DE LA GARANTIE LIMITÉE

Techtronic Industries North America, Inc., garantit à l'acheteur original que ce produit RYOBI® est exempt de tous vices de matériaux ou de fabrication et s'engage à réparer ou remplacer gratuitement, à son choix, tout produit s'avérant défectueux au cours des périodes indiquées ci-dessous, à compter de la date d'achat.

- Cinq ans sur les produits utilisés par des particuliers ;
- 90 jours sur les produits utilisés à toutes autres fins, telles que les travaux commerciaux et la location.

Cette garantie n'est offerte qu'à l'acheteur original et entre en vigueur à la date de l'achat original.

Toute pièce de ce produit jugée, après évaluation raisonnable par Techtronic Industries North America, Inc., comme présentant des vices de matériaux ou de fabrication, sera réparée ou remplacée, sans facturation pour pièces ou main d'oeuvre par un centre de réparations agréé pour produits d'extérieur de marque RYOBI® (centre de réparations Ryobi agréé).

Le produit, y compris toutes les pièces défectueuses devront être retournés à un centre de réparations Ryobi agréé, avant expiration de la période de garantie. Les frais d'expédition au centre de réparations pour les travaux sous garantie et de retour au propriétaire du produit seront assumés par le propriétaire. En ce qui concerne les réclamations en garantie, la responsabilité Techtronic Industries North America, Inc., se limitera à la réparation ou au remplacement des produits défectueux et aucune revendication de rupture de garantie ne pourra causer l'annulation ou la résiliation du contrat de vente d'un produit d'extérieur RYOBI® quel qu'il soit. Une preuve d'achat sera exigée par le centre de réparation, afin de valider toute réclamation au titre de la garantie. Toutes les réparations sous garantie devront être effectuées par un centre de réparations agréé.

La garantie sur tout produit d'extérieur RYOBI® utilisé pour la location, des travaux commerciaux ou tout autre usage lucratif, sera limitée à quatre-vingt-dix (90) jours, à compter de la date d'achat au détail original.

Cette garantie ne couvre pas les produits ayant fait l'objet d'un usage abusif ou négligent, d'un manque d'entretien, ayant été impliqués dans un accident ou employé de façon contraire aux instructions du manuel d'utilisation. Cette garantie ne couvre ni les dommages aux produits résultant d'un manque d'entretien, ni les produits qui ont été altérés ou modifiés. La garantie exclut les réparations rendues nécessaires par l'usure normale ou l'utilisation de pièces et accessoires incompatibles avec le produit d'extérieur RYOBI® ou nuisibles à son bon fonctionnement, ses performances ou sa durabilité. En outre, cette garanti exclut :

- A. Les réglages – Bougies, carburateur, réglages du carburateur, allumage, filtres
- B. Les articles consommables – Boutons d'avance par choc, bobines externes, lignes de coupe, bobines internes,

poulies et cordons de lanceur, courroies d'entraînement, dents, rondelles en feutre, axes d'attelage, lames de paillage, ventilateur de soufflante, tubes de soufflage et d'aspiration, sacs à débris, guides, chaînes de scie

- C. En outre, cette garanti exclut la batterie pour plus de trois ans de la date d'achat.

Techtronic Industries North America, Inc., se réserve le droit d'apporter des modifications ou améliorations à tout produit extérieur RYOBI®, sans obligation de modifier les produits fabriqués antérieurement.

LA DURÉE DE TOUTES LES GARANTIES IMPLICITES NE SAURAIT EN AUCUN CAS EXCÉDER LA PÉRIODE DE GARANTIE DÉCLARÉE. PAR CONSÉQUENT, TOUTES LES GARANTIES IMPLICITES, Y COMPRIS LES GARANTIES DE VALEUR MARCHANDE OU D'ADÉQUATION À UN USAGE PARTICULIER OU AUTRES SERONT INVALIDÉES À L'EXPIRATION DE LA PÉRIODE DE GARANTIE APPROPRIÉE DE CINQ ANS OU QUATRE-VINGT-DIX JOURS. LES OBLIGATIONS DE TECHTRONIC INDUSTRIES NORTH AMERICA, INC., DANS LE CADRE DE CETTE GARANTIE SE LIMITENT EXCLUSIVEMENT À LA RÉPARATION OU AU REMPLACEMENT DES PIÈCES DÉFECTUEUSES ET TECHTRONIC INDUSTRIES NORTH AMERICA, INC. N'ASSUME OU N'AUTORISE QUICONQUE À ASSUMER QUELQUE AUTRE OBLIGATION QUE CE SOIT. CERTAINS ÉTATS ET PROVINCES NE PERMETTANT PAS DE LIMITATION DE DURÉE DES GARANTIES IMPLICITES, LES RESTRICTIONS CI-DESSOUS PEUVENT NE PAS ÊTRE APPLICABLES. TECHTRONIC INDUSTRIES NORTH AMERICA, INC., DÉCLINE TOUTE RESPONSABILITÉ EN CE QUI CONCERNE LES DOMMAGES DIRECTS, INDIRECTS OU AUTRES, Y COMPRIS, MAIS SANS S'Y LIMITER, LES FRAIS DE RETOUR DE PRODUITS À UN CENTRE DE RÉPARATION RYOBI AGRÉÉ ET DE RENVOI AU PROPRIÉTAIRE, DE DÉPLACEMENT D'UN TECHNICIEN, DE TÉLÉPHONE OU TÉLÉGRAMME, DE LOCATION D'UN PRODUIT SIMILAIRE PENDANT LA DURÉE DES RÉPARATIONS SOUS GARANTIE, DE DÉPLACEMENT, DE PERTES OU DOMMAGES À DES BIENS PERSONNELS, DE MANQUE À GAGNER, DE PERTE D'USAGE DU PRODUIT, DE PERTE DE TEMPS OU DE DÉRANGEMENT. CERTAINS ÉTATS ET PROVINCES NE PERMETTANT L'EXCLUSION OU LA LIMITATION DES DOMMAGES DIRECTS OU INDIRECTS, LES RESTRICTIONS CI-DESSOUS PEUVENT NE PAS ÊTRE APPLICABLES.

Cette garantie donne au consommateur des droits spécifiques, et celui-ci peut bénéficier d'autres droits, qui varient selon les états ou provinces.

Cette garantie couvre tous les produits d'extérieur RYOBI® fabriqués par Techtronic Industries North America, Inc., vendus aux États-Unis et au Canada.

Pour obtenir l'adresse du centre de réparations Ryobi agréé le plus proche, appeler le 1-800-860-4050.

# INSTRUCCIONES DE SEGURIDAD IMPORTANTES



## ADVERTENCIA:

**LEA Y COMPRENDA TODAS LAS INSTRUCCIONES.** El incumplimiento de las instrucciones señaladas abajo y en la máquina puede causar descargas eléctricas, incendios y/o lesiones serias.




- Familiarícese con el equipo quitanieve eléctrica. Lea cuidadosamente el manual del operador. Aprenda sus usos y limitaciones, así como los posibles peligros específicos de esta equipo quitanieve. Con el cumplimiento de esta regla se reduce el riesgo de una descarga eléctrica, incendio o lesión seria.
- No permita que los niños usen el equipo quitanieve. No es un juguete.
- Sólo utilice accesorios recomendados por el fabricante para cada modelo en particular se describe en este manual. Accesorios que pueden ser adecuados para una equipo quitanieve pueden significar un riesgo de lesiones si se emplean con otra equipo quitanieve. Sólo utilice el producto de la forma descrita en este manual.
- No manipule el cargador, incluso la clavija del cargador y las terminales del cargador, con las manos mojadas.
- No coloque ningún objeto en las aberturas. No la utilice con ninguna abertura bloqueada; manténgalas libres de polvo, pelusa, pelo y cualquier cosa que pueda reducir el flujo de aire.
- Mantenga el cabello, la ropa holgada, los dedos y todas las partes del cuerpo alejados de las aberturas y piezas móviles de la unidad.
- Apague todos los controles antes de extraer la batería.
- No utilice equipo quitanieves en entornos explosivos, como los existentes alrededor de líquidos, gases y polvos inflamables. El equipo quitanieves eléctricas generan chispas que pueden encender el polvo y los vapores inflamables.
- Mantenga alejados a transeúntes, niños y demás presentes por lo menos a 30,5 metros (100 pies) de distancia al utilizar una equipo quitanieve eléctrica. Toda distracción puede causar la pérdida del control del equipo quitanieve.
- Toda equipo quitanieve que utiliza baterías, ya sea integradas o separadas, debe recargarse únicamente con el cargador especificado para la batería. Un cargador que puede ser adecuado para un tipo de batería puede significar un riesgo de incendio si se emplea con otro tipo de batería.
- Utilice el equipo quitanieve con la batería específicamente indicada. El empleo de otras baterías puede presentar un riesgo de incendio.
- Cargue las baterías solamente con el cargador indicado. Para utilizar con paquetes de baterías de 40 V, consulte el folleto de la herramienta/aparato/paquete de baterías/cargador complementario 988000-842.
- No utilice la cargador si está dañado el cable o la clavija, ya que podría causar un cortocircuito y una descarga eléctrica. Si el cargador se encuentra dañado, un técnico de centro de servicio autorizado.
- Si el aparato de mano no está funcionando adecuadamente, se dejó caer, se dañó, se dejó a la intemperie, o se dejó caer dentro del agua, regrésela al centro de servicio autorizado.
- Permanezca alerta, preste atención a lo que esté haciendo y aplique su sentido común al utilizar el equipo quitanieve eléctrica. No utilice el equipo quitanieve si está cansado, trastorno o se encuentra bajo los efectos de alguna droga, alcohol o medicamento. Un momento de inatención al utilizar el equipo quitanieve eléctrica puede causar lesiones corporales de gravedad.
- Evite el arranque accidental de la unidad. Llevar el equipo quitanieve con el dedo en el botón de arranque o instalar la batería en el equipo quitanieve con el botón de arranque activado es causa común de accidentes.
- Póngase equipo de seguridad. Siempre póngase protección ocular. Cuando lo exijan las circunstancias, debe ponerse careta contra el polvo, zapatos de seguridad antiderrapantes, casco y protección auditiva.
- Vístase adecuadamente — No vista ropas holgadas, pañuelos ni joyas. Pueden quedar atrapadas en las piezas móviles.
- Antes de efectuar ajustes, de cambiar accesorios o de guardar el equipo quitanieve, desconecte la batería del equipo quitanieve. Tales medidas preventivas de seguridad reducen el riesgo de poner en marcha accidentalmente el equipo quitanieve.
- Cuando no esté usando la batería, manténgala alejada de objetos metálicos tales como: clips, monedas, llaves, clavos, tornillos y otros objetos metálicos pequeños que puedan establecer una conexión entre ambos terminales. Al establecer una conexión directa entre los dos terminales se puede causar chispas, quemaduras o incendios.
- Revise si las piezas móviles están desalineadas o atoradas, si hay piezas rotas o toda otra condición que pudiese afectar el funcionamiento del equipo quitanieve. Si se daña el equipo quitanieve, llévela a servicio antes de volver a utilizarla. Numerosos accidentes son causados por equipo quitanieves mal cuidadas.
- Mantenga el equipo quitanieve y su mango secos, limpios y sin aceite ni grasa. Siempre utilice un paño limpio para la limpieza de la unidad. Nunca utilice fluidos para frenos, gasolina, productos a base de petróleo ni solventes fuertes para limpiar el equipo quitanieve. Con el cumplimiento de esta regla se reduce el riesgo de una pérdida de control y el deterioro de la carcasa de plástico de la unidad.
- Siempre use gafas de seguridad con protección lateral. Los anteojos comunes sólo tienen lentes resistentes a los impactos. NO son anteojos de seguridad. Con el cumplimiento de esta regla se reduce el riesgo de posibles lesiones oculares.
- Siempre póngase protección ocular con la marca de cumplimiento de la norma ANSI Z87.1 junto con protección auditiva.
- Protéjase los oídos. Durante períodos prolongados de utilización del producto, póngase protección para los oídos. Con el cumplimiento de esta regla se reduce el riesgo de lesiones corporales serias.

# INSTRUCCIONES DE SEGURIDAD IMPORTANTES










- El equipo quitanieve de baterías no se necesitan conectar a una toma de corriente; por lo tanto, siempre están en condiciones de funcionamiento. Esté consciente de los posibles peligros cuando no esté usando el equipo quitanieve de baterías o cuando esté cambiando los accesorios de la misma. Con el cumplimiento de esta regla se reduce el riesgo de una descarga eléctrica, incendio o lesión corporal seria.
- No coloque el equipo quitanieve de baterías ni las baterías mismas cerca del fuego o del calor. De esta manera se reduce el riesgo de explosiones y de lesiones.
- No exponga las equipo quitanieves eléctricas a la lluvia. La introducción de agua en una equipo quitanieve eléctrica aumenta el riesgo de descargas eléctricas.
- Póngase pantalones, botas y guantes gruesos. Evite ropas holgadas o joyas que pudieran resultar atrapadas en piezas móviles de la máquina o del motor.
- Utilice botas de goma cuando haga funcionar el equipo quitanieve. Calzado de seguridad protegerá sus pies y mejore su postura en superficies resbaladizas. No camine descalzo o use sandales.
- Mantenga los pies bien afirmados y el equilibrio. No trate de alcanzar demasiado lejos. Se puede perder el equilibrio al tratar de alcanzar demasiado lejos.
- No apunte la vertedor de descarga del equipo quitanieve hacia personas o mascotas. La nieve o otros objetos arrojados pueden provocar lesiones personales graves.
- Nunca utilice la unidad sin el equipo adecuado instalado. Asegúrese siempre de que esté instalado el deflector del vertedor del equipo quitanieve.
- Mientras no se esté utilizando, el equipo quitanieve debe almacenarse en el interior, en un sitio seco y bajo llave, lejos del alcance de los niños.
- Mantenga a todos los circunstantes, niños y animales por lo menos a 30,5 metros (100 pies) de distancia.
- No incinere esta equipo quitanieve o un paquete de baterías desgastado o dañado seriamente. La batería puede explotar si se la expone al fuego.
- El servicio del instrumento debe ser realizado sólo por personal calificado de reparación. Atienda a o la conservación realizada por el personal sin título puede tener como resultado un riesgo de la herida.
- Al atender a un instrumento, el uso el reemplazo sólo idéntico despide. Siga las instrucciones en la sección de la Conservación de este manual. El uso de partes o fracaso no autorizados seguir la Conservación las Instrucciones pueden crear un riesgo del golpe o la herida.
- Nunca utilice el soplador cerca del fuego, chimeneas, cenizas al rojo vivo, asadores, etc. El uso cerca del fuego o las cenizas calientes puede propagar incendios y producir lesiones serias y/o daños a los bienes.
- Nunca use una equipo quitanieve para esparcir productos químicos, fertilizantes ni ninguna otra sustancia tóxica. Esparcir estas sustancias podría producir lesiones serias al operador o a las personas presentes.
- Nunca coloque el soplador en ninguna superficie, excepto que sea una superficie dura y limpia cuando el motor se encuentra en funcionamiento. Es posible que la entrada de aire recoja grava, arena y otros residuos y los arroje al operador o a los espectadores, lo que puede causar lesiones serias.
- Revise el área de trabajo cada vez antes de usar la unidad. Retire todos los objetos como piedras, vidrio roto, clavos, alambre o cuerda que puedan salir disparados o enredarse en la máquina.
- No utilice el equipo quitanieve en el hielo, ya que puede provocar que el operador se resbale y caiga, causando posibles lesiones personales graves.
- Nunca utilice el equipo quitanieve en lagos, ríos o pequeñas superficies congelados. Si el hielo se rompe, pueden producirse lesiones graves o la muerte.
- Nunca utilice el equipo quitanieve en el techo o en cualquier otra superficie inestable, ya que puede provocar lesiones personales graves o la muerte.
- Para uso doméstico únicamente.
- Utilice el aparato adecuado para la tarea — No utilice el equipo quitanieve para ninguna función diferente de las especificadas.
- No fuerce el equipo quitanieve — Efectúa el trabajo mejor y de manera más segura, si se utiliza a la velocidad para la que está diseñada.
- Nunca dirija el material descargado hacia una persona. Evite descargar el material contra una pared u obstrucción. El material puede rebotar hacia el operador. Detenga el equipo quitanieve cuando cruce por superficies de grava o rocosas.
- Si el equipo quitanieve golpea un objeto extraño, siga estos pasos:
  - Detenga el equipo quitanieve por la soltando el mango de asa y espere hasta que la unidad se detenga por completo.
  - Retire el paquete de baterías.
  - Inspeccione minuciosamente el equipo quitanieve para ver si tiene daños.
  - Repare todo daño antes de volver a arrancar el equipo quitanieve y continuar utilizándola.
- No levante ni sostenga el equipo quitanieve por encima del suelo cuando lo haga funcionar, ya que esto puede provocar la pérdida del control y posibles lesiones personales graves. Utilice el equipo quitanieve únicamente conforme a las instrucciones especiales para su uso que se proporcionan en el manual del operador.
- Mantenga las protecciones en su lugar y en perfectas condiciones.
- Realice el mantenimiento del equipo quitanieve con cuidado — Siga las instrucciones para lubricar y cambiar accesorios.
- Guarde estas instrucciones. Consúltelas con frecuencia y empléelas para instruir a otras personas que puedan utilizar esta herramienta. Si presta a alguien esta herramienta, facilítele también las instrucciones con el fin de evitar un uso indebido del producto y posibles lesiones.

# SÍMBOLOS

Las siguientes palabras de señalización y sus significados tienen el objeto de explicar los niveles de riesgo relacionados con este producto.



SÍMBOLO	SEÑAL	SIGNIFICADO
	<b>PELIGRO:</b>	Indica una situación peligrosa inminente, la cual, si no se evita, causará la muerte o lesiones serias.
	<b>ADVERTENCIA:</b>	Indica una situación peligrosa posible, la cual, si no se evita, podría causar la muerte o lesiones serias.
	<b>PRECAUCIÓN:</b>	Indica una situación potencialmente peligrosa la cual, si no se evita, puede causar lesiones leves o moderadas.
	<b>AVISO:</b>	(Sin el símbolo de alerta de seguridad) Indica información importante no relacionada con ningún peligro de lesiones, como una situación que puede ocasionar daños físicos.

Es posible que se empleen en este producto algunos de los siguientes símbolos. Le suplicamos estudiarlos y aprender su significado. Una correcta interpretación de estos símbolos le permitirá utilizar mejor y de manera más segura el producto.

SÍMBOLO	NOMBRE	DENOMINACIÓN/EXPLICACIÓN
	Alerta de seguridad	Indica un peligro posible de lesiones personales.
	Lea manual del operador	Para reducir el riesgo de lesiones, el usuario debe leer y comprender el manual del operador antes de usar este producto.
	Protección ocular	Siempre póngase protección ocular con protección lateral con la marca de cumplimiento de la norma ANSI Z87.1.
	Rebote	Cualquier objeto lanzado puede rebotar y producir lesiones personales o daños físicos.
	Mantenga las manos lejos del impulsor	Mantenga las manos lejos del impulsor giratorio.
	Mantenga los pies lejos del impulsor	Mantenga los pies lejos del impulsor giratorio.
	Mantenga las manos y los pies alejados.	Mantenga las manos y los pies alejados el impulsor y vertedor de descarga.
	Mantenga alejados a los niños y circunstantes	Mantenga a los niños y otras personas alejadas a una distancia mínima de 30,5 m (100 pies).
	Mantenga las manos y los pies alejados	Mantenga las manos y los pies lejos del impulsor giratorio.

# SÍMBOLOS

Es posible que se empleen en este producto algunos de los siguientes símbolos. Le suplicamos estudiarlos y aprender su significado. Una correcta interpretación de estos símbolos le permitirá utilizar mejor y de manera más segura el producto.

SÍMBOLO	NOMBRE	DENOMINACIÓN/EXPLICACIÓN
	No utilizar sobre pendientes	No utilice el equipo quitanieve sobre pendientes superiores a los 15°. Camine a través de sobre la superficie de las pendientes y nunca de arriba a abajo.
	Símbolo de reciclado	Este producto contiene baterías de iones de litio (Li-ion). Es posible que algunas leyes municipales, estatales o federales prohíban desechar las baterías de níquel-cadmio en la basura normal. Consulte a las autoridades reguladoras de desechos para obtener información en relación con las alternativas de reciclado y desecho disponibles.
≡	Corriente continua	Tipo o característica de corriente
V	Volts	Voltaje
A	Amperes	Corriente
Hz	Hertz	Frecuencia (ciclos por segundo)
W	Watts	Potencia
hrs	Horas	Tiempo



# CARACTERÍSTICAS

## ESPECIFICACIONES DEL PRODUCTO

Motor ..... 40 V CA  
Ancho de limpieza ..... 508 mm (20 pulg.)  
Profundidad de limpieza ..... 254 mm (10 pulg.)  
Tamaño del impulsor ..... 432 mm (17 pulg.)

Tamaño de las ruedas ..... 203 mm (8 pulg.)  
Distancia alcanzada  
por la nieve arrojada ..... Hasta 7,6 metros (25 pies)

## FAMILIARÍCESE CON EL EQUIPO QUITANIEVE

Vea la figura 1.

Para usar este producto con la debida seguridad se debe comprender la información indicada en el producto mismo y en este manual, y se debe comprender también el trabajo que intenta realizar. Antes de usar este producto, familiarícese con todas las características de funcionamiento y normas de seguridad del mismo.

## TAPA DE LAS BATERÍAS

La tapa de las baterías protege el compartimiento de las baterías de los residuos.

## MANGO DEL DEFLECTOR DEL VERTEDOR

El mango del deflector del vertedor le permite cambiar la distancia a la que se descargará la nieve del vertedor.

## PALANCA DE GIRO DEL VERTEDOR

La palanca de giro del vertedor le permite seleccionar la dirección a la que se descargará la nieve del equipo quitanieve. La palanca permite que el vertedor gire hasta 180°.

## LUCES DELANTERAS LED

Las luces delanteras LED están ubicadas en el mango superior para iluminar el camino cuando utiliza el equipo quitanieve en condiciones de poca iluminación. Use el interruptor de luz para encender y apagar los luces delanteras led.

# ARMADO

## DESEMPAQUETADO

Este producto requiere armarse.

- Extraiga cuidadosamente de la caja la herramienta y los accesorios. Asegúrese de que estén presentes todos los artículos enumerados en la lista de empaquetado.



### ADVERTENCIA:

No utilice este producto si alguna pieza incluida en la lista de empaquetado ya está ensamblada al producto cuando lo desempaqueta. El fabricante no ensambla las piezas de esta lista en el producto. Éstas deben ser instaladas por el usuario. El uso de un producto que puede haber sido ensamblado de forma inadecuada podría causar lesiones personales graves.

- Inspeccione cuidadosamente la herramienta para asegurarse de que no haya sufrido ninguna rotura o daño durante el transporte.
- No deseche el material de empaquetado sin haber inspeccionado cuidadosamente la herramienta y haberla utilizado satisfactoriamente.
- Si hay piezas dañadas o faltantes, le suplicamos llamar al 1-800-860-4050, donde le brindaremos asistencia.

## LISTA DE EMPAQUETADO

Equipo quitanieve  
Piezas de montaje del mango  
Mangos superior e intermedio  
Deflector del vertedor  
Varilla superior y inferior de la palanca de giro del vertedor con pasador de enganche  
Manual del operador



### ADVERTENCIA:

Si hay piezas dañadas o faltantes, no utilice este producto sin haber reemplazado todas las piezas. Usar este producto con partes dañadas o faltantes puede causar lesiones serias al operador.



### ADVERTENCIA:

No intente modificar este producto ni hacer accesorios no recomendados para el mismo. Cualquier alteración o modificación constituye maltrato y puede causar una condición peligrosa, y como consecuencia posibles lesiones serias.

# ARMADO

## **ADVERTENCIA:**

No meta paquete de baterías sin haber terminado de armarla y usted está listo para cortar. De lo contrario la unidad puede ponerse en marcha accidentalmente, con el consiguiente riesgo de lesiones serias.

## **ADVERTENCIA:**

Para prevenir empezar accidental, no hace ningún ajuste ni las instalaciones con la paquete de baterías metida. El arranque accidental del equipo quitanieve durante el armado puede causar lesiones graves.

## INSTALACIÓN DEL MANGO INTERMEDIO

*Vea la figura 2.*

- Alinee los orificios del mango intermedio con los orificios del mango inferior como se ilustra.
- Inserte el perno en “J” a través de ambos mangos con el extremo roscado en la parte inferior y puntando hacia adentro.
- Instale la perilla del mango y ajuste en forma segura para fijar el perno en su lugar.
- Repita en el lado opuesto para fijar el mango intermedio en su lugar.

## INSTALACIÓN DE LA VARILLA INFERIOR DE LA PALANCA DE GIRO DEL VERTEDOR

*Vea la figura 3.*

**NOTA:** El soporte de la palanca y la apertura de la parte trasera de la carcasa del equipo quitanieve están perforados para que coincidan con la varilla inferior de la palanca de giro del vertedor. Asegúrese de orientar la varilla en la misma dirección de los orificios perforados cuando instale la palanca.

- Deslice el extremo de la varilla inferior de la palanca de giro del vertedor a través del soporte del mango intermedio.
- Luego inserte la varilla en el orificio de la carcasa del equipo quitanieve hasta que esté completamente asentado.

## INSTALACIÓN DEL MANGO SUPERIOR

*Vea las figuras 4 y 5.*

- Alinee los orificios del mango superior con los orificios del mango intermedio como se ilustra.

## **AVISO:**

No permita que el cable del arrancador quede apretado o atrapado cuando alinee los mangos.

- Inserte el extremo roscado de la traba del mango a través de ambos mangos con el extremo roscado apuntando hacia adentro.
- Instale la perilla del mango y ajuste en forma segura.
- Repita en el lado opuesto.
- Abra las trabas del mango.
- Tire hacia arriba y hacia atrás del mango superior para elevarlo hasta la posición de operación.

## **AVISO:**

No permita que se pellizque o se enreden el cable del arrancador al subir el mango.

- Cierre las trabas del mango para fijar el mango superior en su posición.

**NOTA:** Si el mango superior está flojo o separado del mango inferior, apriete las perillas de las trabas del mango haciéndolas girar en el sentido de las agujas del reloj.

## **Para bajar el conjunto de los mangos:**

- Abra las trabas del mango.  
**NOTA:** Si le resulta difícil abrir la traba del mango, afloje las perillas de las trabas del mango haciéndolas girar en sentido contrario a las agujas del reloj.
- Baje el mango superior.

## INSTALACIÓN DE LA VARILLA SUPERIOR DE LA PALANCA DE GIRO DEL VERTEDOR

*Vea la figura 6.*

- Instálelo de la varilla superior sobre el extremo inferior de la palanca. Alinee los orificios de las dos partes de la palanca e inserte el pasador de enganche a través de los orificios para asegurar, como se muestra.
- Gire la palanca hacia la izquierda y la derecha para verificar el funcionamiento correcto de la palanca y el vertedor.

## INSTALACIÓN DEL DEFLECTOR DEL VERTEDOR

*Vea la figura 7.*

- Extienda los lados del deflector del vertedor levemente y colóquelo sobre la parte superior del vertedor.
- Desplace la posición del deflector según sea necesario para que las lengüetas del vertedor estén completamente asentadas en las aperturas del deflector como se ilustra.

# FUNCIONAMIENTO

## ADVERTENCIA:

No permita que su familiarización con este tipo de producto lo vuelva descuidado. Tenga presente que un descuido de un instante es suficiente para causar una lesión grave.

## ADVERTENCIA:

Siempre utilice protección para los ojos con escudos laterales que cumplan con ANSI Z87.1. La inobservancia de esta advertencia puede causar el lanzamiento de objetos a los ojos, y por consecuencia posibles lesiones serias.

## ADVERTENCIA:

No utilice ningún aditamento o accesorio no recomendado por el fabricante de este producto. El empleo de aditamentos o accesorios no recomendados puede causar lesiones serias.

## AVISO:

Antes de cada uso, inspeccione todo el producto para detectar partes dañadas, faltantes o sueltas, como tornillos, tuercas, pernos, tapas, etc. Apriete firmemente todos los sujetadores y las tapas y no accione este producto hasta que todas las partes faltantes o dañadas sean reemplazadas. Llame al 1-800-860-4050 o comuníquese con un centro de servicio autorizado para recibir asistencia.

Este producto acepta los paquetes de baterías de iones de litio de 40 V.

Para ver las instrucciones de carga completas, consulte los manuales del operador del paquete de baterías Ryobi y los modelos de cargador.

## USOS

Esta herramienta puede emplearse para el fin señalado abajo:

- Extraer nieve de las áreas deseadas, como senderos de acceso o aceras

## ADVERTENCIA:

Retire siempre el paquete de baterías o desconecte la herramienta del suministro de alimentación antes de instalar las piezas, realizar ajustes, limpiarla o cuando no la utilice. Esto evitará que la unidad se accione accidentalmente y provoque lesiones graves.

## INSTALACIÓN DEL PAQUETE DE BATERÍAS

*Vea la figura 8.*

- Abra la tapa de las baterías.
- Coloque la batería en el equipo quitanieve. Alinee la costilla realizada exterior del paquete de baterías con la ranura interior del receptáculo para baterías de equipo quitanieve.

## ADVERTENCIA:

Asegúrese de que el pestillo en la parte inferior del paquete de baterías entre adecuadamente en su lugar y que el paquete de baterías esté bien colocado y asegurado en el puerto de batería del equipo quitanieve antes de que encenderla. Una falla en colocar el paquete de baterías de forma segura puede causar que el paquete de baterías se desprenda y termine provocando lesiones corporales serias.

- Cierre la tapa de las baterías.

## EXTRACCIÓN DEL PAQUETE DE BATERÍAS

*Vea la figura 8.*

- Abra la tapa de las baterías.
- Presione y mantenga presionado el botón de la traba de las baterías de la parte inferior del paquete de baterías.
- Retire del equipo quitanieve el paquete de baterías.

## ADVERTENCIA:

A fin de evitar lesiones personales de gravedad, siempre extraiga el paquete de baterías cuando mover o transporte la herramienta.

## ENCENDIDO Y APAGADO DEL EQUIPO QUITANIEVE

*Vea la figura 9.*

- Abra la tapa de las baterías.
- Instalar el paquete de baterías.
- Cierre la tapa de las baterías.
- Oprima y no suelte el botón de arranque. Tire de la gancho y suelte el botón para arrancar el equipo quitanieve.
- Para detener el equipo quitanieve, suelte de la gancho.

# FUNCIONAMIENTO

## AJUSTE DEL VERTEDOR

Vea las figuras 10 a 13.

El vertedor puede ajustarse para cambiar la dirección y la distancia, de manera de facilitar el movimiento de la nieve de un área para colocarla en otra.

La **dirección** de extracción de nieve puede ajustarse en hasta 180°.

- Gire la palanca de giro del vertedor hacia la izquierda para girar hacia la izquierda.
- Gire la palanca de giro del vertedor hacia la derecha para girar hacia la derecha.

La **distancia** a la que se mueve la nieve se ajusta mediante el mango del deflector del vertedor. Apriete las dos partes del mango del deflector del vertedor al mismo tiempo para ajustar.

- Mueva el deflector del vertedor hacia adelante (arriba) para aumentar la distancia a la que se arrojará la nieve.

### ADVERTENCIA:

No fuerce el vertedor hacia delante en exceso de manera que aparezca un espacio entre el deflector y el vertedor. La nieve u otros desperdicios podrían ser arrojados a través de este espacio hacia el operador, provocando lesiones personales graves.

- Mueva el deflector del vertedor hacia atrás (abajo) para disminuir la distancia a la que se arrojará la nieve.

## CONSEJOS DE FUNCIONAMIENTO

### ADVERTENCIA:

Nunca utilice el equipo quitanieve en lagos, ríos o pequeñas superficies congelados. Si el hielo se rompe, pueden producirse lesiones graves o la muerte.

### ADVERTENCIA:

Nunca utilice el equipo quitanieve en el techo o en cualquier otra superficie inestable, ya que puede provocar lesiones personales graves o la muerte.

### ADVERTENCIA:

No utilice el equipo quitanieve en el hielo, ya que puede provocar que el operador se resbale y caiga, causando posibles lesiones personales graves.

### ADVERTENCIA:

No vista ropas holgadas, bufandas ni joyas. Pueden quedar atrapadas en las piezas móviles y provocar lesiones personales graves o la muerte.

### ADVERTENCIA:

Mantenga la descarga de nieve alejada de todos los dispositivos eléctricos para reducir el riesgo de electrocución o de descarga eléctrica.

### ADVERTENCIA:

Nunca apunte el equipo quitanieve o el vertedor de descarga hacia donde haya personas o mascotas. La nieve o otros objetos arrojados pueden provocar lesiones personales graves.

### ADVERTENCIA:

Asegúrese de que el área que debe limpiarse esté libre de piedras, cables, ripio y otros objetos que pudieran ser arrojados accidentalmente por el equipo quitanieve en cualquier dirección y provocar lesiones personales en el operador y en otras personas.

- Si la unidad entra en contacto con cualquier tipo de obstrucción o suciedad durante el uso, detenga el equipo quitanieve, retire el paquete de baterías, retire la obstrucción e inspeccione la unidad con cuidado en busca de daños antes de continuar.

### ADVERTENCIA:

Nunca intente alcanzar el vertedor de descarga ni coloque ninguna parte del cuerpo frente al equipo quitanieve cuando la unidad está en funcionamiento o cuando instale el paquete de baterías. Asegúrese siempre de que todas las piezas móviles se hayan detenido y que el paquete de baterías se haya extraído antes de limpiar cualquier obstrucción. El incumplimiento de estas instrucciones podría causar lesiones personales de gravedad.

- Tenga en cuenta la dirección del viento antes de comenzar. Cuando sea posible, descargue la nieve en la misma dirección del viento para evitar que la nieve sea arrojada hacia su rostro.
- Algunas piezas del equipo quitanieve pueden congelarse bajo condiciones extremas de temperatura. No intente hacer funcionar la unidad con piezas congeladas.
- Cuando haya terminado, haga funcionar el motor durante unos pocos minutos más, luego gire la palanca de giro del vertedor hacia atrás y hacia adelante varias veces para quitar del vertedero cualquier resto de nieve.

# MANTENIMIENTO

## **ADVERTENCIA:**

Al dar servicio a la unidad, sólo utilice piezas de repuesto autorizadas. El empleo de piezas diferentes puede causar un peligro o dañar el producto.

## **ADVERTENCIA:**

Siempre póngase protección ocular con protección lateral con la marca de cumplimiento de la norma ANSI Z87.1. Si no cumple esta advertencia, los objetos que salen despedidos pueden producirle lesiones serias en los ojos.

## **ADVERTENCIA:**

Al dar servicio a la unidad, asegúrese de que la batería y la llave del fusible se hayan retirado para evitar el arranque accidental y posibles lesiones graves.

## **AVISO:**

Inspeccione periódicamente todo el producto para detectar partes dañadas, faltantes o sueltas, como tornillos, tuercas, pernos, tapas, etc. Apriete firmemente todos los sujetadores y las tapas y no accione este producto hasta que todas las partes faltantes o dañadas sean reemplazadas. Llame al 1-800-860-4050 o comuníquese con un centro de servicio autorizado para recibir asistencia.

## **MANTENIMIENTO GENERAL**

Evite el empleo de solventes al limpiar piezas de plástico. La mayoría de los plásticos son susceptibles a diferentes tipos de solventes comerciales y pueden resultar dañados. Utilice paños limpios para eliminar la suciedad, el polvo, el aceite, la grasa, etc.

## **ADVERTENCIA:**

No permita en ningún momento que fluidos para frenos, gasolina, productos a base de petróleo, aceites penetrantes, etc., lleguen a tocar las piezas de plástico. Las sustancias químicas pueden dañar, debilitar o destruir el plástico, lo cual a su vez puede producir lesiones corporales serias.

## **LUBRICACIÓN**

Todos los cojinetes de este producto están lubricados con suficiente cantidad de aceite de alta calidad para toda la vida útil de la unidad en condiciones normales de funcionamiento. Por lo tanto, no se necesita lubricación adicional de los cojinetes.

## **GUARDADO DEL EQUIPO QUITANIEVE**

*Vea la figura 14.*

## **PRECAUCIÓN:**

Asegúrese de limpiar correctamente toda la nieve derretida que gotea del equipo quitanieve para evitar resbalones y caídas.

- Retire el paquete de baterías y almacena en una ubicación segura fuera del alcance de niños.
- Antes de guardar, limpie de humedad, el polvo o los residuos del área de la batería.
- Limpie el equipo quitanieve con un paño limpio y seco.
- Verifique el apriete de todos los pernos, tuercas, perillas, tornillos, sujetadores, etcétera.
- Inspeccione las piezas móviles para ver si hay daños, rupturas y desgaste. Haga que reparen todas las piezas dañadas o faltantes.
- Retire el pasador de enganche y desarme la palanca de giro del vertedor. Coloque el pasador de enganche en una de las varillas para almacenar.
- Abra las trabas del mango y baje el conjunto de los mango superior, como se muestra.
- Guarde equipo quitanieve y varilla superior de palanca de giro del vertedor en el interior, en un lugar limpio y seco, lejos del alcance de los niños.
- No la guarde cerca de materiales corrosivos como fertilizantes o sal gema.

# CORRECCIÓN DE PROBLEMAS

SI CON ESTAS SOLUCIONES NO SE RESUELVE EL PROBLEMA, COMUNÍQUESE CON EL CONCESIONARIO DE SERVICIO AUTORIZADO DE SU PREFERENCIA.

PROBLEMA	CAUSA POSIBLE	SOLUCIÓN
El mango no está en posición.	Las trabas de los mangos no están cerradas.	Cierre las trabas del mango superior y del mango inferior.
El equipo quitanieve no enciende.	La batería es baja en la carga. El botón de inicio no está presionado.	Cargue la batería. Presione el botón de inicio.
El motor está encendido, pero el impulsor no funciona.	La correa de impulsión está dañada o rota.	Lleve toda la correa de impulsión a un centro de servicio autorizado para que la reemplacen.
Después de pasar, el equipo quitanieve deja una capa de nieve en el suelo.	El mecanismo del impulsor/raspador está desgastado.	Lleve el mecanismo del impulsor/raspador a un centro de servicio autorizado para que la reemplacen.



## APROVECHE AL MÁXIMO SU COMPRA!

Dirijase a <http://register.ryobitools.com>  
y registre en línea su nueva herramienta.

Este producto ha sido probado enteramente antes de embarcarse para asegurar la completa satisfacción del consumidor.

¡Si tiene preguntas sobre el funcionamiento o el mantenimiento del producto, llame al teléfono de atención al consumidor de Ryobi®!

# GARANTÍA

## DECLARACIÓN DE LA GARANTÍA LIMITADA

Techtronic Industries North America, Inc. garantiza al comprador original al menudeo que este producto de la marca RYOBI® carece de defectos en los materiales y en la mano de obra, y acuerda reparar o reemplazar, a la sola discreción de Techtronic Industries North America, Inc., cualquier producto defectuoso, sin cargo alguno al comprador, dentro de los siguientes períodos de tiempo a partir de la fecha de compra.

- Cinco años si los productos se emplean para uso personal, familiar o casero;
- 90 días si el producto se emplea para cualquier otro propósito, como el uso comercial o el de alquiler.

Esta garantía se otorga solamente al comprador original al menudeo, y comienza en la fecha de la compra original al menudeo.

Cualquier parte de este producto Techtronic Industries North America, Inc. que, a juicio razonable de la compañía, tenga defectos en los materiales o en la mano de obra, será reparado o reemplazado por un centro de servicio autorizado de herramientas para uso en el exterior de la marca RYOBI®, sin cargo alguno al comprador por concepto de piezas y mano de obra (Centro de Servicio Autorizado Ryobi).

El producto, incluida toda pieza defectuosa, debe enviarse a un centro de servicio autorizado Ryobi dentro del período de la garantía. El gasto de enviar el producto al centro de servicio para cualquier trabajo cubierto por la garantía, así como el gasto de devolverlo al propietario después de la reparación, correrán por cuenta del propietario. La responsabilidad de Techtronic Industries North America, Inc. con respecto a todo reclamo se limita a las reparaciones o reemplazo del producto, y ningún reclamo de incumplimiento de la garantía será causante de la cancelación o rescisión del contrato de venta de ninguna herramienta de uso en el exterior de la marca RYOBI®. En el establecimiento se requerirá el recibo de compra para respaldar cualquier reclamo al amparo de la garantía. Todo trabajo cubierto en la garantía debe ser realizado por un concesionario de servicio autorizado.

Esta garantía se limita a noventa (90) días a partir de la fecha original de la compra de cualquier herramienta de uso en el exterior de la marca RYOBI® empleada para propósitos comerciales o de alquiler, o cualquier otro propósito generador de ingresos.

Esta garantía no cubre ningún producto que haya sido sujeto a un uso indebido, maltrato, negligencia o accidente, o que haya sido utilizado de cualquier forma contraria a las instrucciones de manejo especificadas en el manual del operador del producto. Esta garantía no aplica a ningún daño en el producto que resulte de un mantenimiento indebido ni a ningún producto que haya sido alterado o modificado. La garantía no cubre ninguna reparación necesaria por el uso normal ni por el uso de piezas o accesorios que sean incompatibles con la herramienta para uso exterior de la marca RYOBI®, o afecten de forma desfavorable su funcionamiento, desempeño o durabilidad.

Además, esta garantía no cubre:

A. Afinación – Bujías, carburador, ajustes del carburador, encendido, filtros

B. Artículos sujetos a desgaste – Perillas de tope, carretes exteriores, hilos de corte, carretes interiores, poleas del arrancador, cuerdas del arrancador, correas de transmisión, aspas, arandelas de fieltro y pasadores de enganche, hojas de triturar, ventiladores de sopladoras, tubos de sopladoras y de aspiradoras, sacos y correas de aspiradoras, barras guía y cadenas de sierras

C. Esta garantía no cubre la batería para más de tres años de la fecha de la compra.

Techtronic Industries North America, Inc. se reserva el derecho a cambiar o mejorar el diseño de cualquier herramienta para uso en el exterior de la marca RYOBI® sin asumir ninguna obligación de modificar ningún producto fabricado previamente.

TODAS LAS GARANTÍAS IMPLÍCITAS ESTÁN LIMITADAS EN DURACIÓN SEGÚN EL PERÍODO DE GARANTÍA DECLARADA. POR CONSIGUIENTE, CUALQUIER GARANTÍA IMPLÍCITA, INCLUSO LAS DE COMERCIABILIDAD, IDONEIDAD PARA UN PROPÓSITO EN PARTICULAR, O DE CUALQUIER TIPO, PIERDEN TOTALMENTE SU VALIDEZ DESPUÉS DEL VENCIMIENTO DEL PERÍODO DE GARANTÍA CORRESPONDIENTE DE CINCO AÑOS O NOVENTA DÍAS. DE CONFORMIDAD CON ESTA GARANTÍA, LA OBLIGACIÓN DE TECHTRONIC INDUSTRIES NORTH AMERICA, INC. SE LIMITA ESTRICTA Y EXCLUSIVAMENTE A LA REPARACIÓN O REPLAZO DE LAS PIEZAS DEFECTUOSAS, Y TECHTRONIC INDUSTRIES NORTH AMERICA, INC. NO ASUME NINGUNA OTRA OBLIGACIÓN, NI AUTORIZA A NADIE ASUMIRLA A NOMBRE DE DICHA COMPAÑÍA. ALGUNOS ESTADOS NO PERMITEN LIMITACIONES EN CUANTO A LA DURACIÓN DE UNA GARANTÍA IMPLÍCITA, POR LO CUAL ES POSIBLE QUE LA LIMITACIÓN ANTERIOR NO SE APLIQUE EN EL CASO DE USTED. TECHTRONIC INDUSTRIES NORTH AMERICA, INC. NO ASUME NINGUNA RESPONSABILIDAD POR DAÑOS DIRECTOS, INDIRECTOS O DE NINGÚN OTRO TIPO, COMO EL GASTO DE ENVIAR EL PRODUCTO A UN CENTRO DE SERVICIO AUTORIZADO RYOBI Y EL GASTO DE ENVIARLO DE ALLÍ AL PROPIETARIO, EL TIEMPO DE VIAJE DEL MECÁNICO, CARGOS TELEFÓNICOS O TELEGRÁFICOS, ALQUILER DE UN PRODUCTO SUSTITUTO DURANTE EL TIEMPO DE REALIZACIÓN DEL SERVICIO DE LA GARANTÍA, VIAJES, PÉRDIDA O DAÑOS A OBJETOS DE PROPIEDAD PERSONAL, PÉRDIDA DE INGRESOS, PÉRDIDA DEL USO DEL PRODUCTO, PÉRDIDA DE TIEMPO O INCONVENIENTES. EN ALGUNOS ESTADOS NO SE PERMITE LA EXCLUSIÓN O LIMITACIÓN DE DAÑOS DIRECTOS O INDIRECTOS, POR LO CUAL ES POSIBLE QUE LA LIMITACIÓN O EXCLUSIÓN DESCRITA ARRIBA NO SE APLIQUE EN SU CASO.

Esta garantía le confiere derechos legales específicos, y es posible que usted goce de otros derechos, los cuales pueden variar de estado a estado.

Esta garantía se aplica a todas las herramientas para uso en el exterior de la marca RYOBI® fabricadas por Techtronic Industries North America, Inc. y vendidos en Estados Unidos y Canadá.

Para encontrar el centro de servicio autorizado Ryobi más cercano a usted, llame al 1-800-860-4050.



**OPERATOR'S MANUAL**  
**MANUEL D'UTILISATION / MANUAL DEL OPERADOR**  
**40 VOLT SNOW BLOWER**  
**SOUFFLEUSE À NEIGE DE 40 V**  
**EQUIPO QUITANIEVE DE 40 V**

**RY40801**

**CALIFORNIA PROPOSITION 65**

**⚠ WARNING:**  
 This product and substances that may become airborne from its use may contain chemicals, including lead, known to the State of California to cause cancer, birth defects, or other reproductive harm.  
*Wash hands after handling.*

**PROPOSITION 65 DE L'ÉTAT DE CALIFORNIE**

**⚠ AVERTISSEMENT :**  
 Ce produit et les autres substances rejetées dans l'air suite à son utilisation peuvent contenir des produits chimiques, notamment du plomb qui, selon l'État de la Californie, peuvent causer le cancer, des anomalies congénitales et d'autres dommages au système reproducteur.  
*Bien se laver les mains après toute manipulation.*

**CALIFORNIA - PROPUESTA DE LEY NÚM. 65**

**⚠ ADVERTENCIA:**  
 Este producto y las sustancias que puedan llegar a ser aerotransportadas por su uso pueden contener sustancias químicas (incluido el plomo) reconocidas por el estado de California como causantes de cáncer, defectos congénitos y otras afecciones del aparato reproductor.  
*Lávese las manos después de utilizar el aparato.*

RYOBI is a registered trademark of Ryobi Limited and is used pursuant to a license granted by Ryobi Limited.

RYOBI est une marque déposée de Ryobi Limited et est utilisée en vertu d'une licence accordée par Ryobi Limited.

RYOBI es una marca registrada de Ryobi Limited y se utiliza conforme a una licencia otorgada por Ryobi Limited.

**• PARTS AND SERVICE**

Prior to requesting service or purchasing replacement parts, please obtain your item and serial number from the product data plate.

**• ITEM NO.** \_\_\_\_\_ **SERIAL NO.** \_\_\_\_\_

**• HOW TO OBTAIN REPLACEMENT PARTS:**

Replacement parts can be purchased online at [www.ryobitools.com](http://www.ryobitools.com) or by calling 1-800-860-4050. Replacement parts can also be obtained at one of our Authorized Service Centers.

**• HOW TO LOCATE AN AUTHORIZED SERVICE CENTER:**

Authorized Service Centers can be located online at [www.ryobitools.com](http://www.ryobitools.com) or by calling 1-800-860-4050.

**• HOW TO OBTAIN CUSTOMER OR TECHNICAL SUPPORT:**

To obtain Customer or Technical Support please contact us at 1-800-860-4050.

• • • • •

**• PIÈCES ET SERVICE**

Avant de faire la demande de service ou l'achat de pièces de remplacement, veuillez obtenir le numéros d'article et de série à partir de la plaque de données du produit.

**• NUMÉRO D'ARTICLE** \_\_\_\_\_ **NUMÉRO DE SÉRIE** \_\_\_\_\_

**• COMMENT OBTENIR LES PIÈCES DE REMPLACEMENT :**

Les pièces de remplacement peuvent être achetées en ligne sur le site [www.ryobitools.com](http://www.ryobitools.com) ou par téléphone au 1-800-860-4050. Les pièces de remplacement peuvent être obtenues à un de nos centres de service autorisés.

**• COMMENT TROUVER UN CENTRE DE SERVICE AUTORISÉ :**

Les centres de service autorisés peuvent être localisés en ligne au [www.ryobitools.com](http://www.ryobitools.com) ou en téléphonant au 1-800-860-4050.

**• COMMENT OBTENIR DE L'AIDE EN CONTACTANT LE SERVICE À LA CLIENTÈLE :**

Pour contacter le service à la clientèle pour une question technique ou pour tout autre renseignement, veuillez nous téléphoner au 1-800-860-4050.

• • • • •

**• PIEZAS DE REPUESTO Y SERVICIO**

Antes de solicitar servicio técnico o comprar piezas de repuesto, obtenga su número de artículo y número de serie de la placa de datos del producto.

**• NÚMERO DE ARTÍCULO** \_\_\_\_\_ **NÚMERO DE SERIE** \_\_\_\_\_

**• CÓMO OBTENER PIEZAS DE REPUESTO:**

Las piezas de repuesto se pueden comprar en nuestro sitio en la red mundial, en la dirección [www.ryobitools.com](http://www.ryobitools.com) o llamando al 1-800-860-4050. Las piezas de repuesto también se pueden obtener en uno de nuestros Centros de Servicio Autorizados.

**• CÓMO LOCALIZAR UN CENTRO DE SERVICIO AUTORIZADO:**

Puede encontrar los Centros de Servicio Autorizados visitando nuestro sitio en la red mundial, en la dirección [www.ryobitools.com](http://www.ryobitools.com) or by calling 1-800-860-4050.

**• CÓMO OBTENER SERVICIO O ASISTENCIA TÉCNICA AL CONSUMIDOR:**

Para obtener Servicio o Asistencia Técnica al Consumidor, sírvase comunicarse con nosotros llamando al 1-800-860-4050.

**TECHTRONIC INDUSTRIES NORTH AMERICA, INC.**

1428 Pearman Dairy Road, Anderson, SC 29625 USA

1-800-860-4050 • [www.ryobitools.com](http://www.ryobitools.com)

A subsidiary of Techtronic Industries Co., Ltd. • OTC: TTNDY