

# LED MIRROR INSTALLATION INSTRUCTIONS

## WARNING:

All fittings must be installed by a competent person, in accordance with current IEE wiring regulations. If in doubt, consult a qualified electrician.

Switch off the electrical supply at the mains BEFORE installation and maintenance.

Suitable for Bathroom Zones 2, 3 and non bathroom/dry areas. See diagram below.

NOT suitable for above baths (Zone 0) or Zone 1 nor for installation in Saunas, Steam Rooms or Shower Cubicles.

DO NOT connect to a plug and socket outlet.

Rated IP44 and suitable for indoor use only.

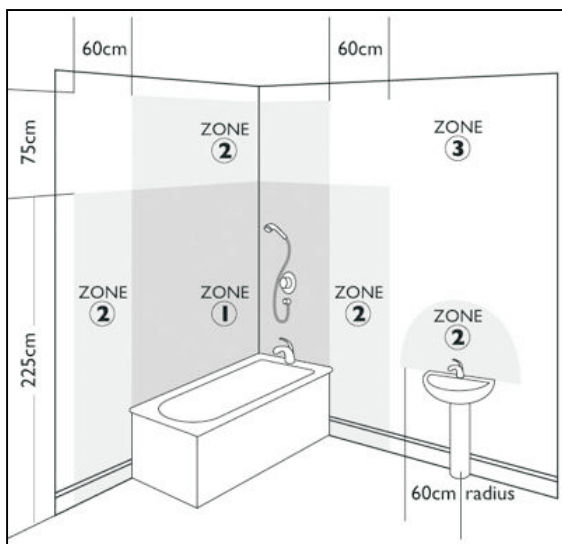
Do not fix to damp or conductive surfaces.

Site well away from curtains and fabrics.

Never cover the mirror.

Switch off after use

Do not leave on for prolonged periods.



## IMPORTANT! BEFORE YOU BEGIN

Inspect the product immediately upon receipt for transit damage, missing parts or manufacturing faults.

Handle the product with care and protect against knocks to all sides and edges of the glass.

Fixings supplied are for use in solid walls, hollow or stud walls will require specialist fixings available from your hardware supplier

Make sure that you have all the tools you need to complete the job (SEE BELOW)

Ensure there are no hidden pipes or cables in the wall before drilling.

If drilling holes in ceramic tiles use a piece of masking tape on the tile to stop the drill bit from slipping.

## AFTERCARE INSTRUCTIONS

Clean using a soft dry cloth only when turned off.

Never use cleaning agents or abrasive materials.

Do not allow moisture to come into contact with the lamps.

## TOOLS REQUIRED



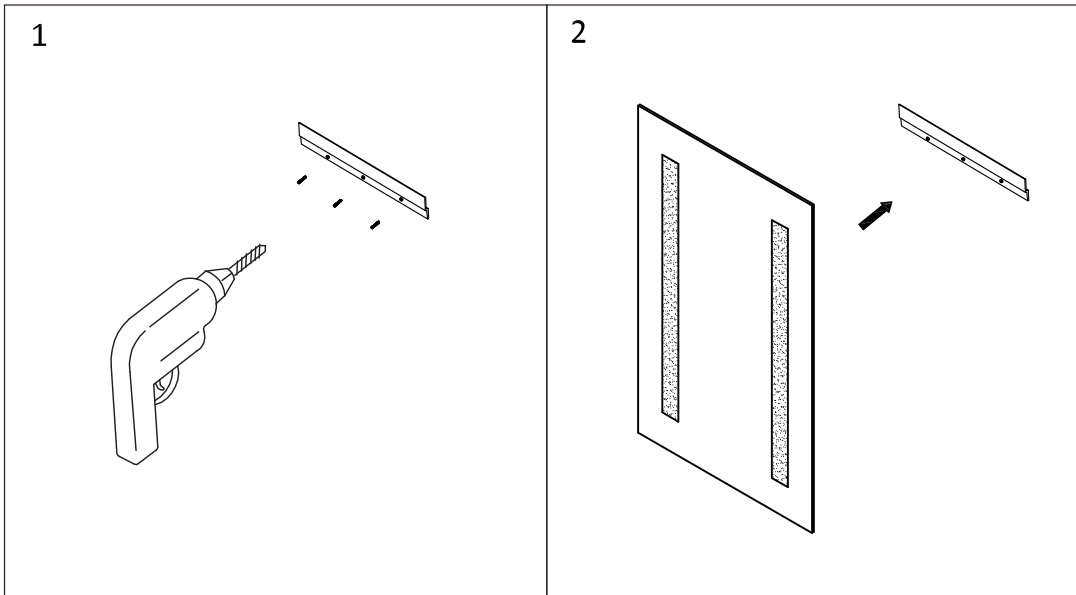
## CONTAINS:

1 x Mirror, 5 x screws and 5 x wall plugs

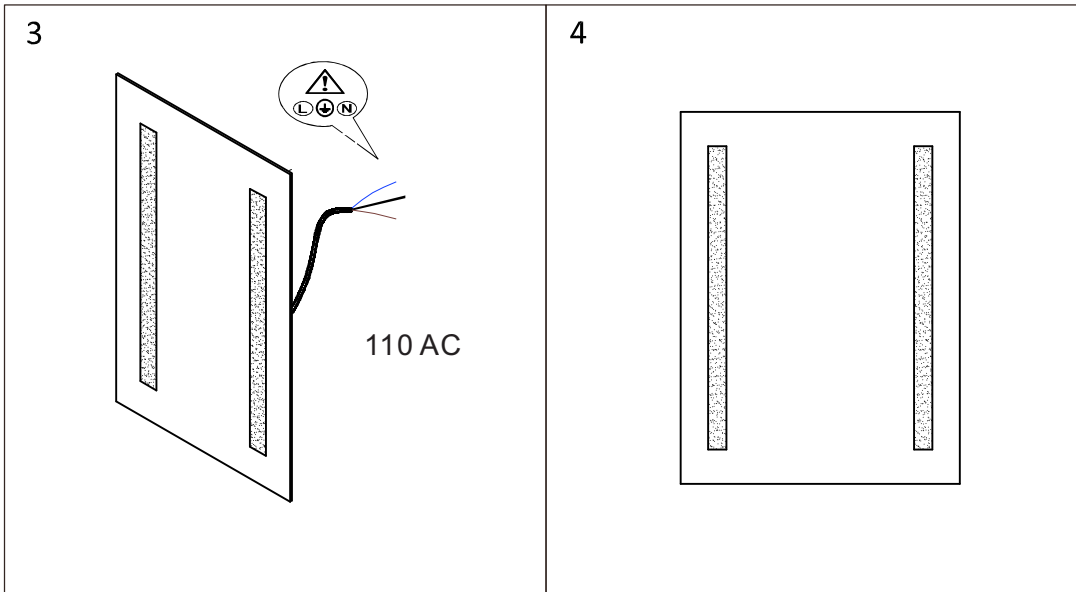
## INSTALLATION INSTRUCTIONS

1. Switch off the electrical supply at the mains before beginning
2. Using the template, mark the wall with a pencil.
3. Ensure that the mirror is level and check there are no hidden pipes or cables before drilling.
4. Wearing suitable eye protection, drill 4 holes using a 6mm drill bit and fix the wall plugs and screws in place leaving the end of the screw head protruding from the wall.
5. Make the electrical connections in accordance with current IEE wiring regulations. If in doubt consult your electrician.
6. Carefully hang the mirror.
7. Switch on the mirror lights.

## Step1 Mirror installation



1. Install the hanger by screws on wall, make sure the hanger is stable.
2. Hang the mirror on the hanger.



3. Connect the mirror power wire to local wire, L-L, N-N.
4. Check the button switch and mirror lighting connection.

## Step2 Cleaning and care

Daily cleaning and care are required in order to keep the product cleaning and properly working.

- 1 Clean it with alcohol and dry it with soft cloth.
- 2 Clean the product with mirror glass cleaner.
- 3 Don't use acid cleaner.
- 4 Don't clean with abrasive material, abrasive paper or knife.

### Wiring

This product requires an earth connection.

### COLOUR CODING:

- L - Live = Black
- N - Neutral = White
- ⊖ - Ground = Green