



allspace®

Welcome to Allspace! You have just purchased one of the most flexible multi-configuration systems in the world of organization. Before you start assembly, please note the many configuration suggestions at the end of the manual.

Wall Organization System Assembly Instructions

THIS MANUAL CONTAINS IMPORTANT INFORMATION REGARDING SAFETY, OPERATION, MAINTENANCE AND STORAGE OF THIS PRODUCT. BEFORE USE, READ CAREFULLY AND UNDERSTAND ALL CAUTIONS, WARNINGS, INSTRUCTIONS AND PRODUCT LABELS. FAILURE TO DO SO COULD RESULT IN SERIOUS PERSONAL INJURY AND/OR PROPERTY DAMAGE. IF YOU SHOULD HAVE ANY QUESTIONS OR EXPERIENCE A PROBLEM WITH YOUR PRODUCT, DO NOT RETURN THIS PRODUCT TO THE STORE. PLEASE CALL OUR CUSTOMER SERVICE DEPARTMENT AT 1-800-423-3598. BEFORE YOU CALL, HAVE THE FOLLOWING INFORMATION AVAILABLE: MODEL No., DATE PURCHASED AND STORE LOCATION. AN ALLTRADE REPRESENTATIVE CAN RESOLVE YOUR PROBLEM OVER THE PHONE. .

SAVE THESE INSTRUCTIONS FOR FUTURE REFERENCE

SAFETY WARNINGS

WARNING

WARNING: This product contains chemicals known to the State of California to cause cancer and birth defects or other reproductive harm.

READ ALL INSTRUCTIONS BEFORE ASSEMBLY. Follow all warnings and safety precautions. If the installation is not performed correctly, the unit could fall off the wall and cause serious injury or death.

Always use appropriate safety equipment when using power and hand tools. Always wear eye protection. Protective equipment such as dust mask, non-skid safety shoes, hard hat, or hearing protection used for appropriate conditions will reduce personal injuries. Failure to do so may cause personal injury or product damage.

Use adequate manpower when assembling this unit. Failure to do so may cause personal injury or product damage.

Take care when using ladders. Do not overreach. Keep proper footing and balance at all times. This enables better control of the power tool in unexpected situations.

DO NOT alter this product in any manner.

Make sure that the wood screws are screwed at least 1-1/2 inches deep into solid wood or framing material or into at least 5/8 inch thick wallboard using wall anchors. Failure to do so could result in the wall unit falling off the wall.

Know the location of all utility lines before drilling. Serious injury or even death may occur if you accidentally drill into a utility connection (gas, water, electric). Make sure you shut off the power to all electrical lines and outlets that you may come into contact with during installation by shutting off the circuit breaker/fuse at the electrical panel. Use a circuit tester to make sure the power is off.

Keep work area clean and well lit. Cluttered or dark area invite accidents.

Do not operate power tools in explosive atmospheres, such as in the presence of flammable liquids, gases or dust. Power tools create sparks which may ignite the dust or fumes.

Keep children and bystanders away while operating a power tool. Distractions can cause you to lose control.

TOOLS NEEDED FOR ASSEMBLY

Drill

#3 Phillips Screwdriver

Tape Measure

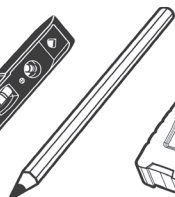
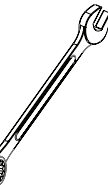
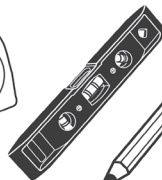
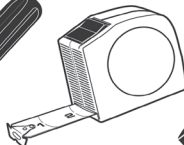
Level

Pencil


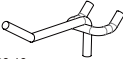

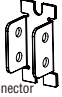


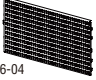

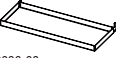











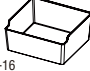





Stud Finder

Ladder

7 mm Combination Wrench



COMPONENTS

Component	450048U 450048C	450048HF	450075HF	450076HF	Component	450048U 450048C	450048HF	450075HF	450076HF
 450036-01 24 in. Utility Track	3	3	2	1	 450036-19 3 in. Metal Peg Hook	10	10	3	6
 450036-02 26 in. Top Track	2	2	1	2	 450036-21 Standard Bar Connector	3	3	2	2
 450036-03 18.75 in. Vertical Standard	6	6	4	4	 450036-23 Bike/Ladder Hook	1	1	1	N/A**
 450036-04 15 in. x 23-1/2 in. Pegboard	4	4	2	3	 450036-24 Hose Hook	1	1	1	N/A**
 * 450036-08 4 in. x 12 in. Metal Tray	1	1	1	N/A**	 450036-25 Plastic Pegboard Locking Pin	8	8	4	6
 450036-09 Accessory Hook	3	3	2	N/A**	 450036-30 1.5 in. Wall Anchors for Top Track Mount	15	15	9	9
 * 450036-10 Utility Circle Hook	6	6	3	3	 450036-31 2.25 in. Wall Anchors for Vertical Standard Mount	22	22	16	12
 450036-12 Basic Hook	6	6	3	3	 450036-32 Through Screws	6	6	4	4
 * 450036-13 Utility Long Hook	7	6	3	3	 450036-33 Top Track Connector	5	5	3	3
 * 450036-15 Utility Short Hook	6	7	N/A**	3	 450036-35 Utility Track Locking Pin	6	6	4	N/A**
 * 450036-16 Small Utility Box	2	2	2	3	 450036-36 Plastic Anchors for 1.5 in. and 2.25 in. Wood Screws	37	37	25	21
 * 450036-17 Larger Utility Box	2	2	N/A**	N/A**	 * 450036-37 24 in. x 12 in. Wire Shelf	N/A**	N/A**	N/A**	3
 450036-18 Tool Holder	3	3	2	N/A**	 * 450036-38 12 in. Wire Shelf Bracket	N/A**	N/A**	N/A**	4

Note: "N/A**" Not Included in Set

Remark: "*" This part compatible with the *elfa® pegboard system
*elfa® is a registered trademark of *elfa International AB

INSTALLATION

The Allspace Wall Organization System was created to give you the amount of organization you need in whatever size space you have. Change that bare wall in the garage into rows of easily found tools. Store household items in that space above the washer. Keep office supplies handy by hanging a single square of pegboard in your home office. Allspace can fit in almost any space to serve almost any need.

The sturdy steel construction is strong enough to hang bicycles and ladders, but the plastic hooks and baskets allow you to hang up the smallest tools or fasteners. Each pegboard panel, properly assembled, has a capacity of 75 lbs.

⚠ WARNING This system is designed for both stud mount or 5/8 in. or thicker wallboard anchor mount. **DO NOT USE** wallboard anchors on wallboard that is 1/2 in. or less.

UNPACKING

⚠ WARNING To prevent injury and/or property damage, **DO NOT USE** if any part is missing or damaged.

Remove all materials from the box. Make sure all the parts needed for assembly are included. Check that there are no sharp edges or burrs that could injure you during assembly. Set all the plastic hanging hooks and baskets aside. You will not need them until after the wall has been assembled.

PREPARING THE LOCATION

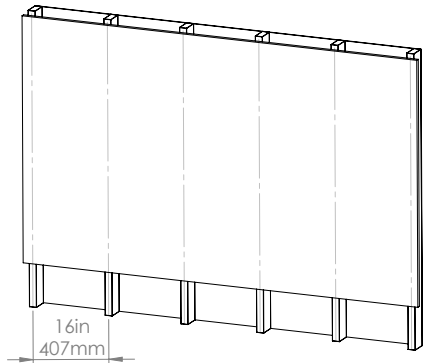
⚠ WARNING Know the location of all utility lines before drilling. Serious injury or even death may occur if you accidentally drill into a utility connection.

Now you need to decide where you want your pegboard to go. Make sure the space you have chosen is a flat wall that is clean and free of obstacles or obstructions.

Using a stud finder, locate the studs in your chosen wall. Studs are vertical pieces of wood that are usually about 16 inches apart. Once you have found the first one, move 16 inches horizontally to find the next one. Mark the stud locations on the wall with pencil. Use a level to make sure the pencil marks are in a straight line.

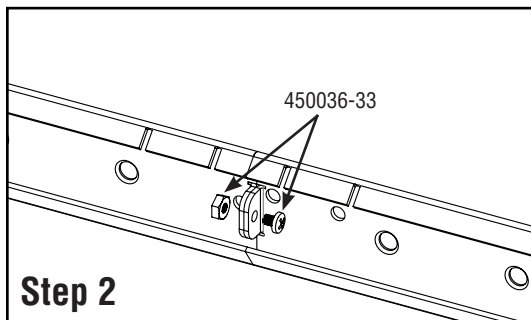
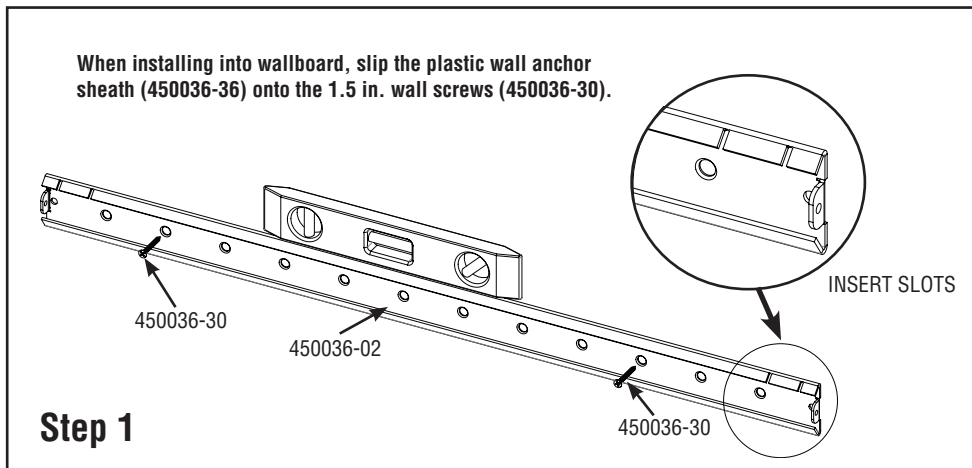
Hold one of the top tracks up against the wall, making sure that the first hole in the track lines up with the first pencil mark. Note where the second pencil mark falls. (Sometimes the holes in the metal tracks will not line up with the studs. In those cases, you will have to use wallboard anchor screws.)

Continue across the wall, marking all the hole locations. For wall mounts requiring 4 peg panels horizontally, you will need to add utility tracks (450036-01) on each side of two top tracks (450036-02). Both top tracks should be mounted first, then mount the utility tracks. The top track is slightly longer than the utility track and the drilling locations will need to be adjusted accordingly. Drill holes in the wall at all the marked locations. If the location does not line up with a stud, you will have to insert a wallboard anchor into the drill hole. (For stud mount, drill 1/8 in. holes, for wallboard mount, drill 5/16 in. holes.) This will prevent the screw from pulling out of the wall when you attach the track.

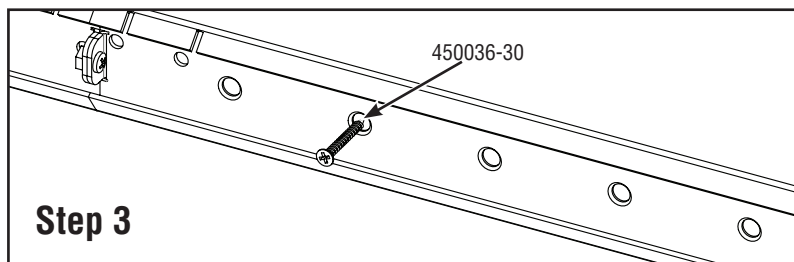


MOUNTING THE TOP TRACKS

Now you are ready to mount the top tracks (450036-02). Remember that the insert slots in the tracks must be facing up toward the ceiling. Do not mount the track upside-down. For non-stud-direct wallboard mount, use minimum of three wall anchors (450036-30/450036-36) per 26 inch top track. **Your wallboard must be 5/8 in. or thicker for wallboard mount.**

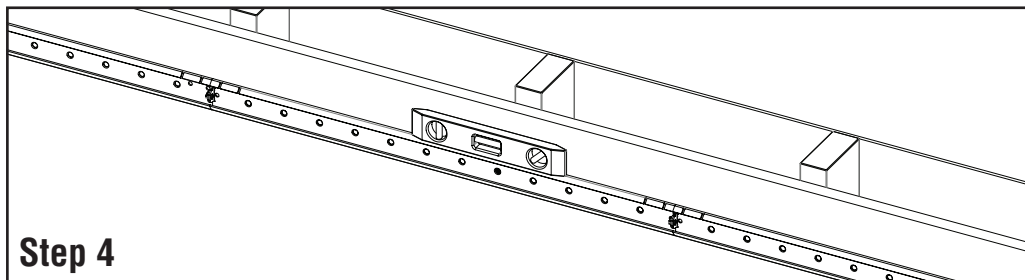


If you are using more than one track, we recommend that you fasten them together before you mount them on the wall. Each track has a tab with a hole on either end. Line up the tabs and insert a top track connector (450036-33) through the hole. Fasten with the nut. Make sure the insert slots on both top tracks are facing up.



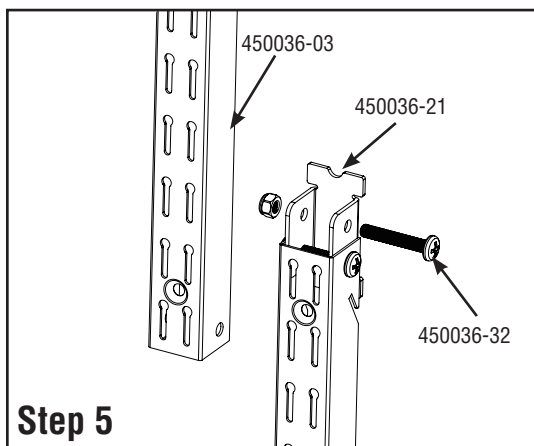
Starting at the far left corner, hold the top track in place with the first hole in the track over the first drill hole in the wall. Insert a wood screw. Carefully tighten the screw, making sure to keep the top track level. Find the second drill hole and insert a wood screw or a wallboard screw, depending on the location.

Each track must have at least two stud screws or three wallboard screws securing it to the wall. Use a level to check each track as it is mounted.



Step 4

FASTENING VERTICAL STANDARDS TOGETHER

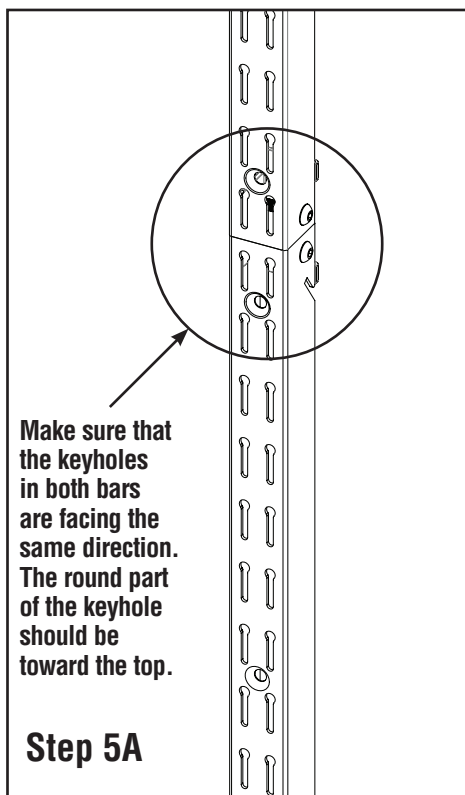


Step 5

Now it is time to attach the vertical standards. These are the tracks that will run on either side of each piece of pegboard. If your configuration is going to be one panel deep, you will only need one vertical standard on each side, but if your configuration is two panels deep, you will have to fasten two vertical standards together.

Take two vertical standards (450036-03) and set them on a workbench with the peg holes facing up. Make sure that the keyholes in both tracks are facing the same direction. The round part of the keyhole should be toward the top. Move the two tracks a few inches apart. Set the standard bar connector (450036-21) into the space between them, sliding it into the top of one of the tracks. Line up the holes in the adapter with the holes in the peg track and slide a through screw (450036-32) through the holes. Fasten.

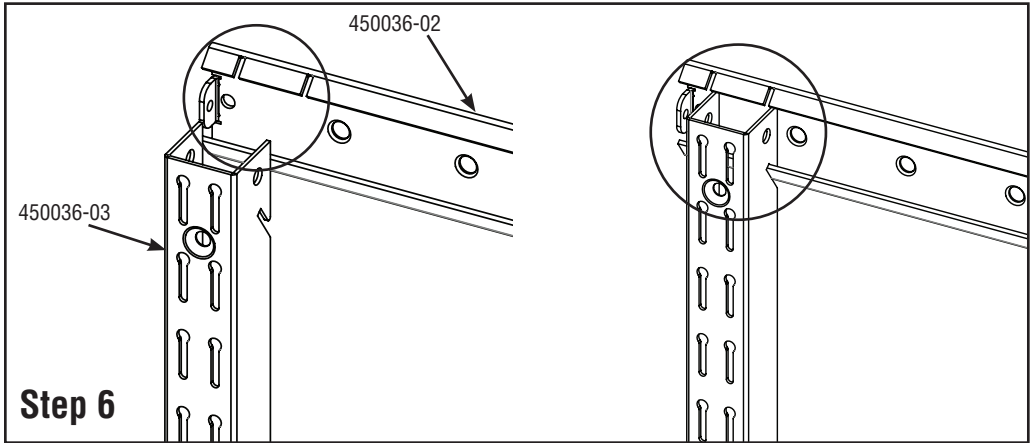
Slip the other track onto the other end of the adapter. Line up the holes and fasten.



Make sure that the keyholes in both bars are facing the same direction. The round part of the keyhole should be toward the top.

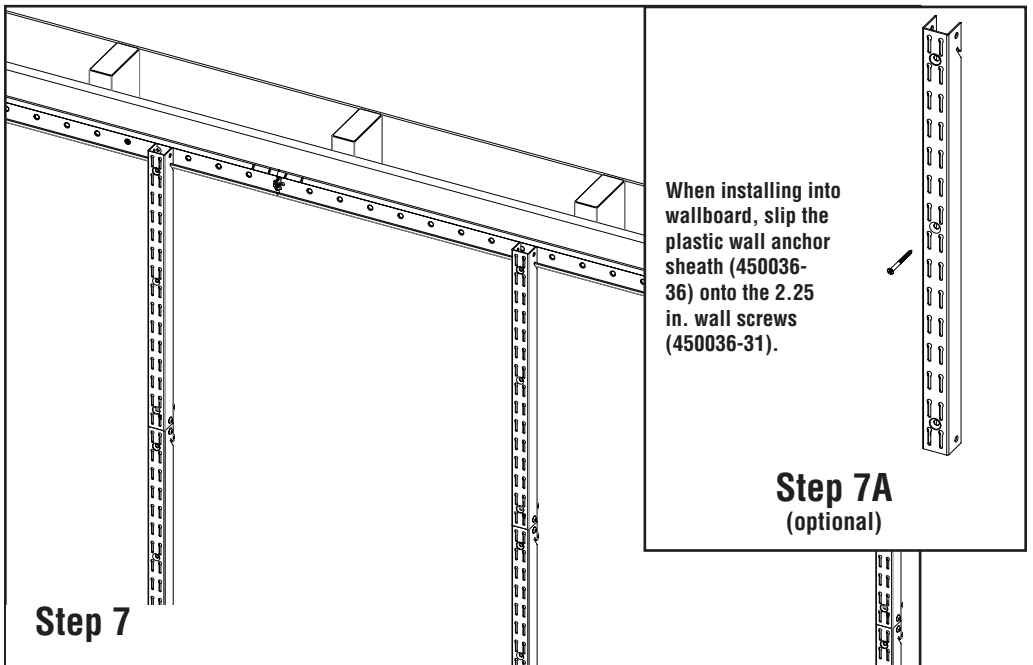
Step 5A

MOUNTING VERTICAL STANDARDS TO TOP TRACKS

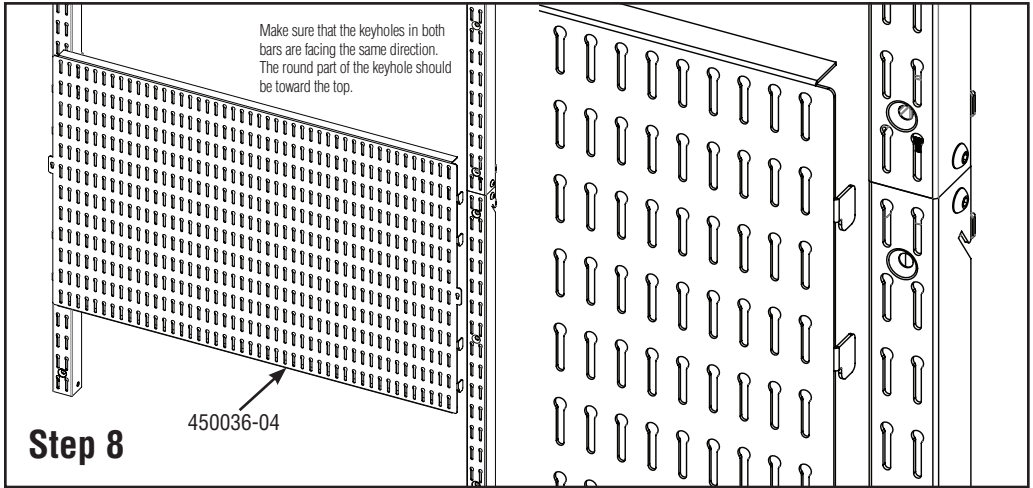


Find the insert slots located on the top of the tracks (450036-02). Make sure the notch on the end of the standard (450036-03) is facing up. Line up the arms of the standard with the insert slots and carefully push in and down. The standard should drop into the opening in the track with the notch hanging on the track lip. If needed, the standards have screw or wallboard mount holes for extra fastening support.

MOUNTING VERTICAL STANDARDS TO WALL

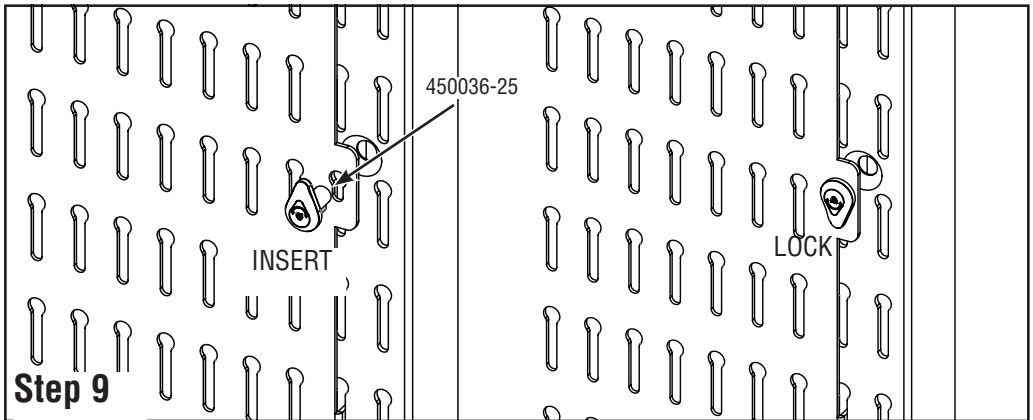


MOUNTING PEGBOARD PANELS



If you want the panels to fit tightly together in double vertical panel configurations (one panel on top of the other), you must insert the bottom pegboard panels first. Otherwise, mount pegboard panels as needed.

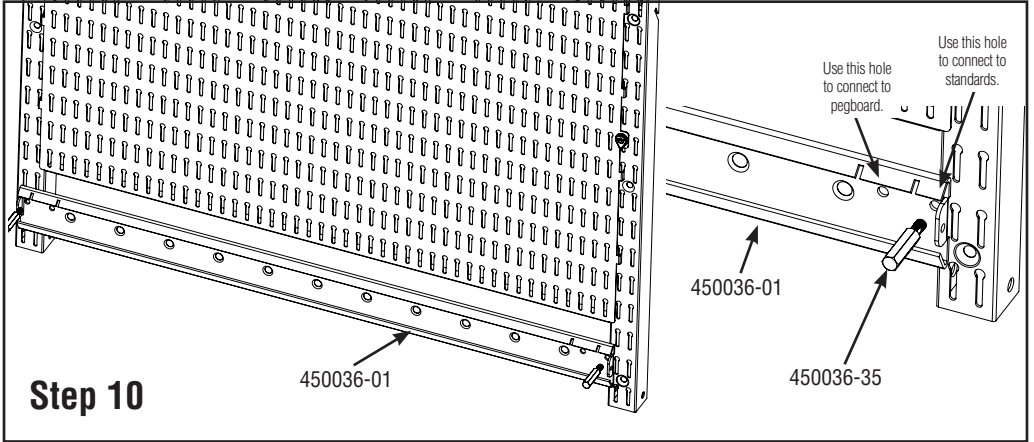
Each pegboard panel (450036-04) has mounting hooks along either side. These hooks correspond to the mounting slots in the vertical standards (450036-03). To mount a panel, simply line up the pegboard hooks with the mounting slots and push them into place. Once all the hooks are inserted, pull down on the pegboard to lock it. (If you are having trouble mounting the pegboard, make sure that the round part of the keyholes are facing up. The hooks will not lock if the pegboard is upside-down.)



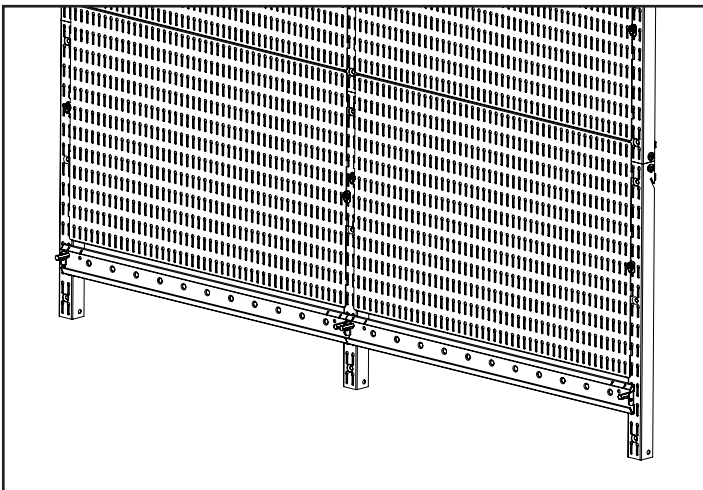
Insert a pegboard locking pin (450036-25) through holes in both the pegboard panel and the mounting track, then twist left or right to lock the panel into place. This will keep the panel from moving up or down while in use. To remove panels, reverse the process.

MOUNTING THE UTILITY TRACK

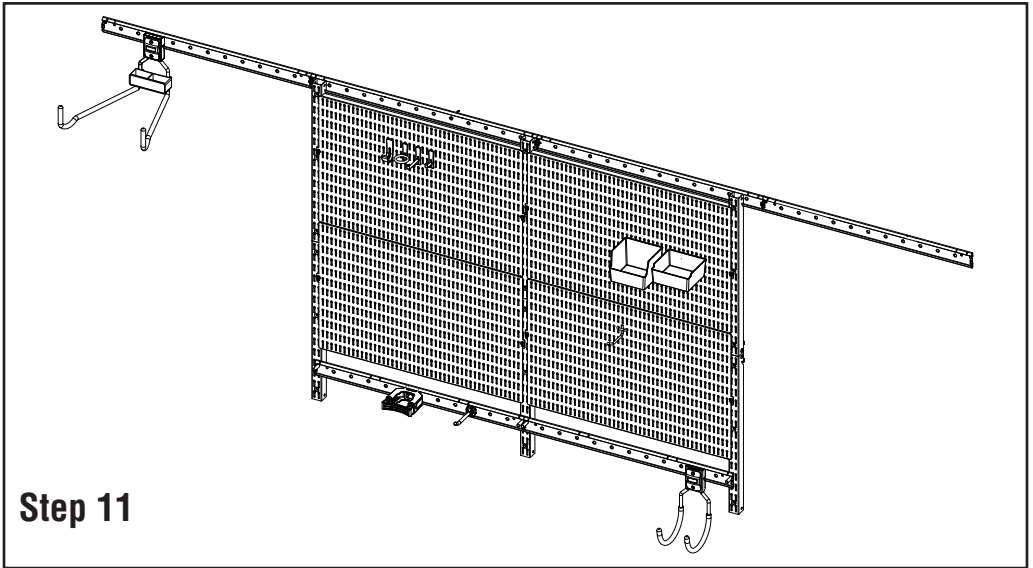
This set includes four utility track bars. These utility track (450036-01) can be used for hanging bikes, ladders, hoses and larger tools. You can mount these tracks wherever they are needed. They can be mounted between the upper and lower pegboards or they can be mounted at the bottom below the pegboards. They can even be mounted on the pegboards themselves or directly to the wall without using vertical standards. In this case, it is preferred that you use wood screw-stud mount with at least two 1-1/2 in. wood screws (450036-30) per section. Mount them at the height and location that is convenient for you.



Once you have chosen the location for your utility track, line up the hole in the utility track with one of the keyholes on the vertical standard. Push a utility track locking pin (450036-35) through the hole, **making sure that the flat part of the pin is aligned with the side of the hole**. Slide pin and track downward. Turn the mounting pin to tighten. Repeat process to lock the other side. Reverse this process to remove or relocate utility track.



Now you are ready to attach the various hanging accessories. The plastic hooks have a keyhole-shaped lock on the back. To hang them, simply line the lock up with one of the keyholes in the pegboard and insert. Gently pull the hook down to lock into place. To remove, just reverse the procedure.



Step 11

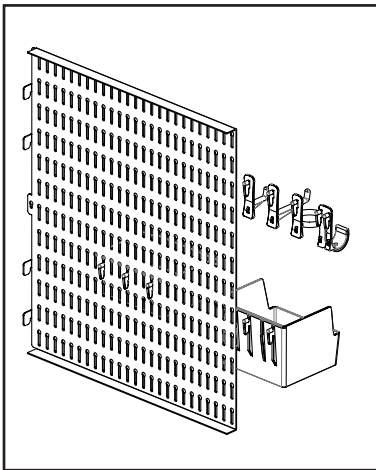


Figure 1

To hang a utility tray (450036-16/450036-17), line up both hooks with the keyholes on the pegboard. Insert into keyholes and pull down to lock. (See Figure 1.)

To attach the bike/ladder hook (450036-23), the tool holder (450036-18) and the accessory hook (450036-09) onto the utility track (450036-01), tilt the bike hook toward the utility track and slip the upper lip into the upper channel of the utility track. The bottom channel of the utility track should snap in into the notch on the back of the bike hook. (See Figure 2.) Make sure the bike hook is securely seated before trying to hang heavy objects.

These pegboards can also use standard 1 inch metal peg hooks from your local hardware store. Just insert them into the keyholes where required.

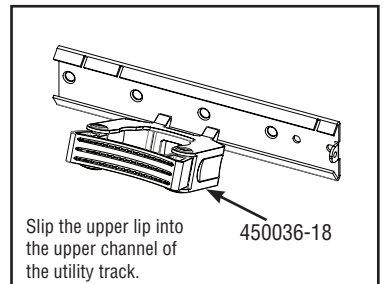
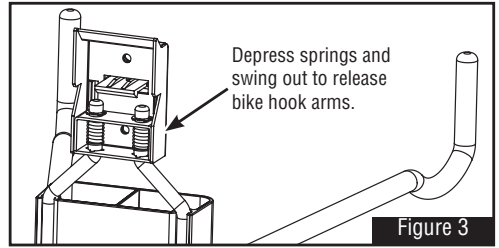


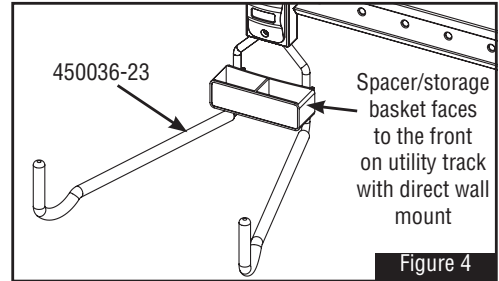
Figure 2

PREPARING AND MOUNTING BIKE/LADDER/HOSE HOOK

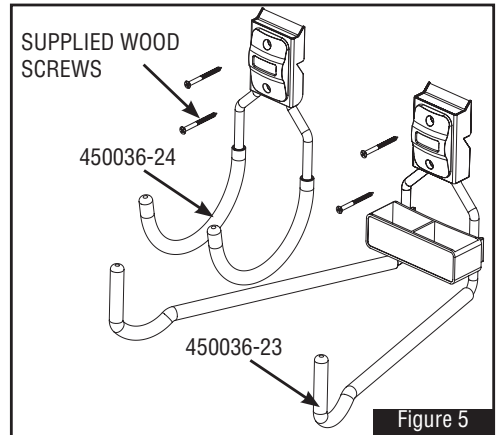
Before you use the bike/ladder hook (450036-23), it is necessary to release the bike hook from its packing position. To do this, turn bike hook around so you can see the springs inside. Push up on one of the arms until you are able to swing it to the side. Release and the spring will pop back into the locked position. Repeat for the other side. (See Figure 3.)



Once the bike/ladder hook is open, you can attach the spacer/storage basket. If you are going to mount the bike/ladder hook on a utility track mounted directly to the wall, you will place the spacer/storage basket on the front of the bike hook just above the hooks. (See Figure 4.)



The bike/ladder/hose hook (450036-23/450036-24) can also be mounted directly to the wall. Place the spacer/storage basket on the front of the bike hook just above the hooks. Fasten into a stud with the supplied wood screws.



If using hook for bike mounting, it's advisable to use direct wall stud mount.

Note: Instructions only apply for model no. 450076HF

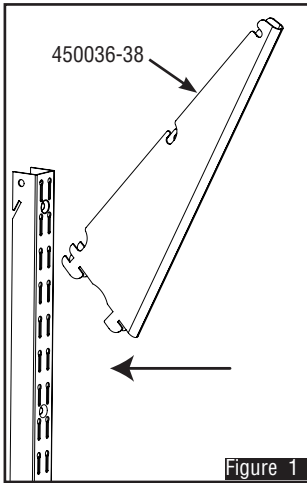


Figure 1

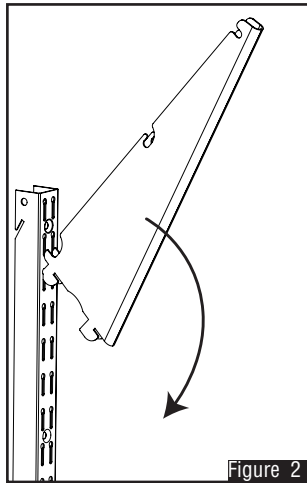


Figure 2

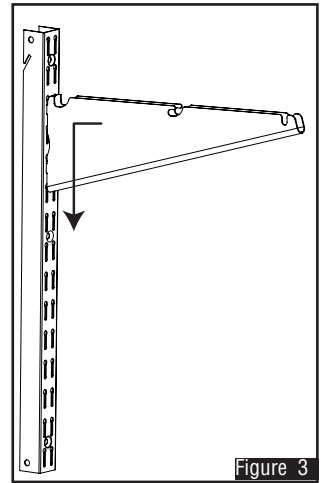


Figure 3

Insert top hook of shelf bracket (450036-38) into mounting slot of vertical standard (450036-03) at desired height. The bracket should be inserted at an oblique angle (See Figure 1) Rotate shelf bracket clockwise until bottom hooks slide into mounting slot of vertical standard (See Figure 2). Press down shelf bracket (See Figure 3) securing shelf bracket to vertical standards. Repeat on opposite vertical standard making sure that shelf brackets are at same height

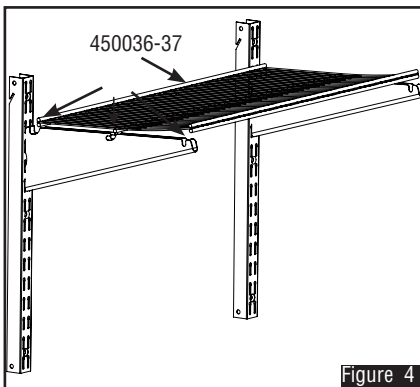


Figure 4

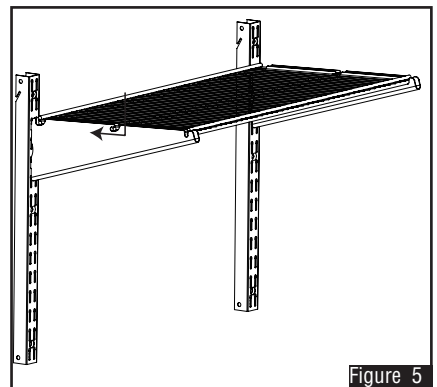
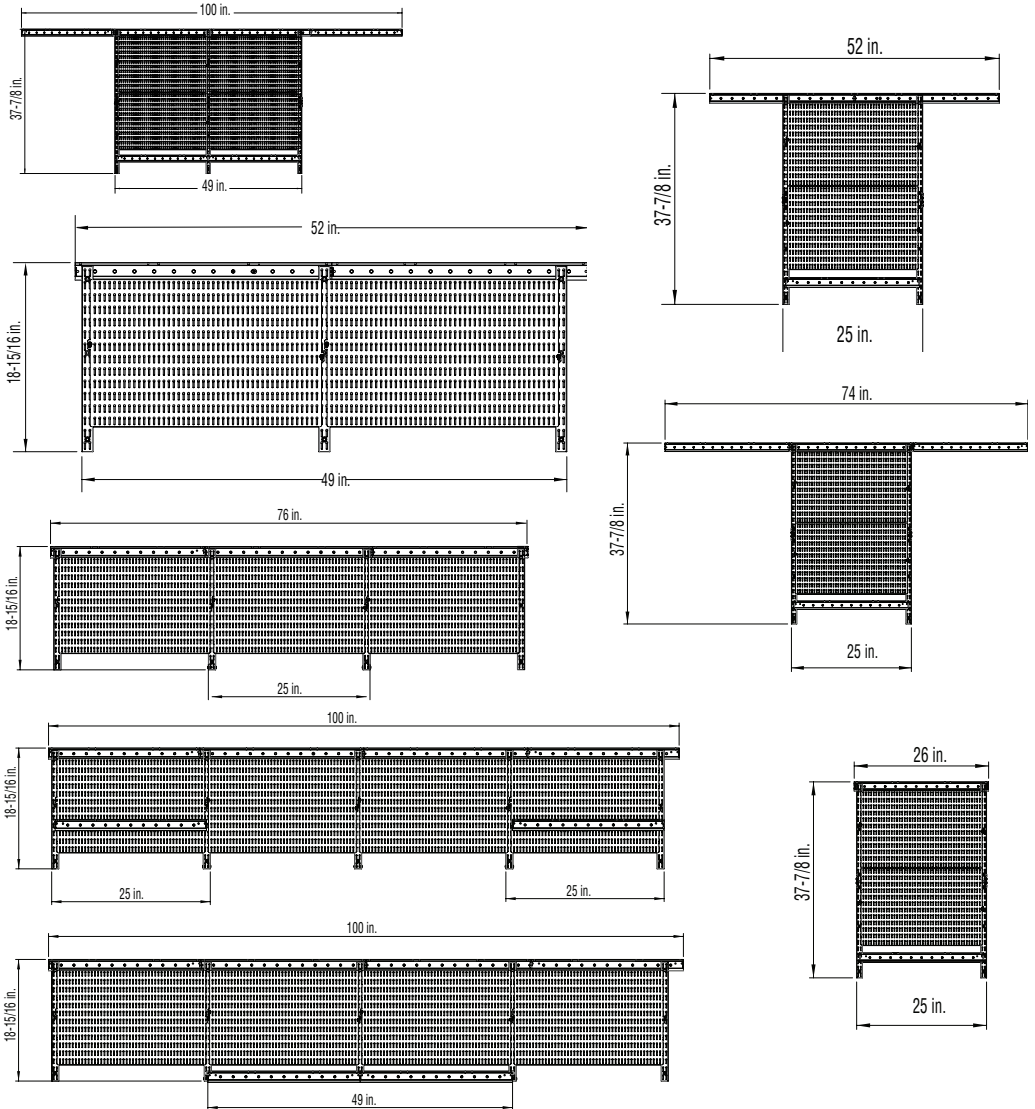


Figure 5

Place wire shelf (450036-37) onto top of shelf bracket. Insert wire shelf ends into slots in the middle and ends of shelf bracket (See Figure 4). Push wire rack rearward to lock onto shelf bracket (See Figure 5)

VERSATILITY

Remember that your pegboard system can be adjusted to fit any space you have. Use one panel or all four, it's up to you.



China Patents No. ZL 2014 2 0623701.6
US and International patents pending

FOR CUSTOMER SERVICE
1-800-423-3598

Printed in China



ALLTRADE TOOLS LLC
1431 VIA PLATA
LONG BEACH, CA 90810-1462
www.alltradetools.com

©COPYRIGHT 2015, ALLTRADE TOOLS LLC REV. 1