



# INSTALL DIRECTION

## STEAM BATHROOM

MODEL : WS-902A 、 WS-902B



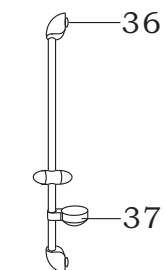
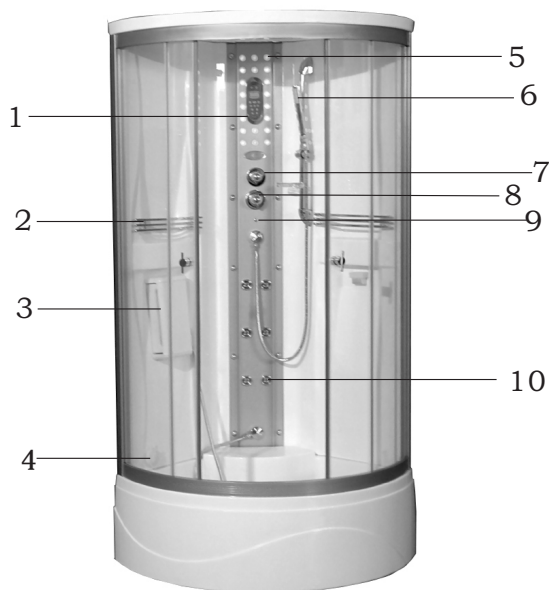
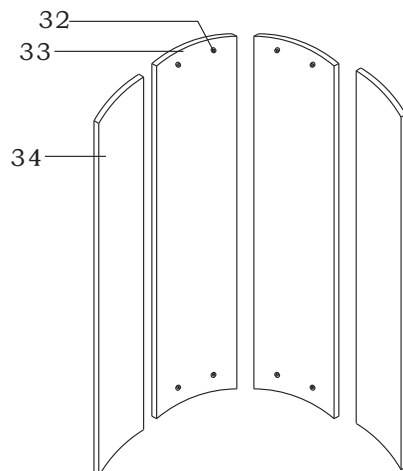
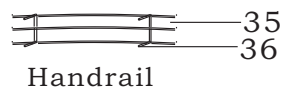
*Your best choice!*

- No advanced advice will be submit before we change our design and size.
- The pictures may be a little different from the real products.
- Our company keep the final explanation right.

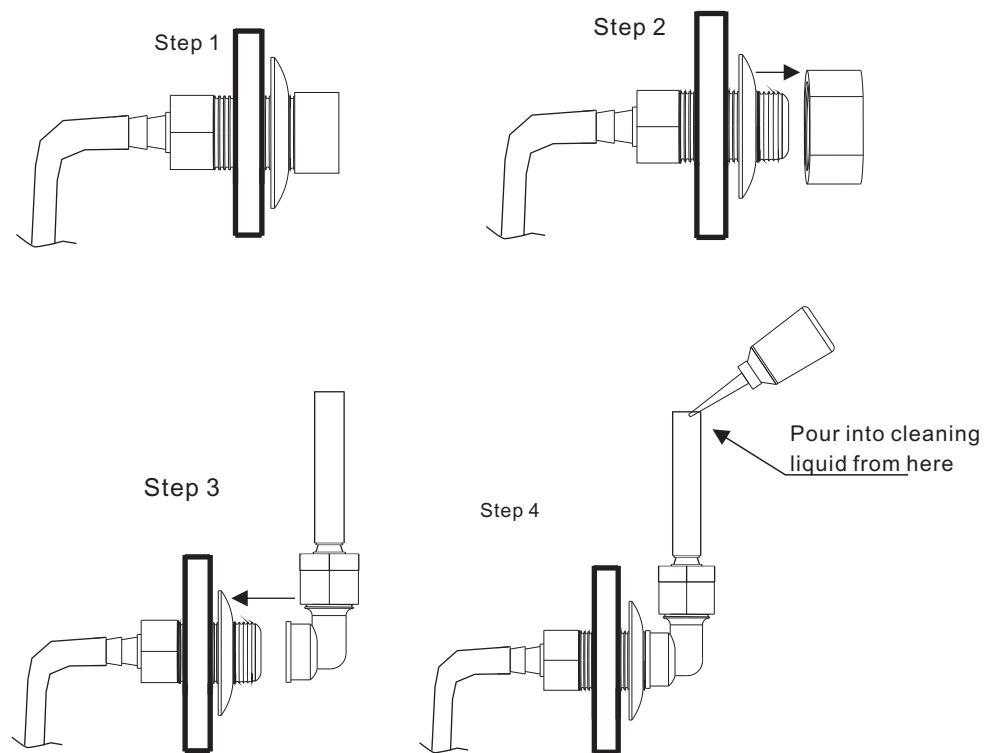
## TECHNIQUE PARAMETER

Voltage	Frequency	Water Volatge	Power of steam generator
AC110V	60Hz	0.1~0.2Mpa	2.65KW


## CONSTRUCTION SKETCH



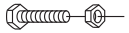


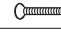


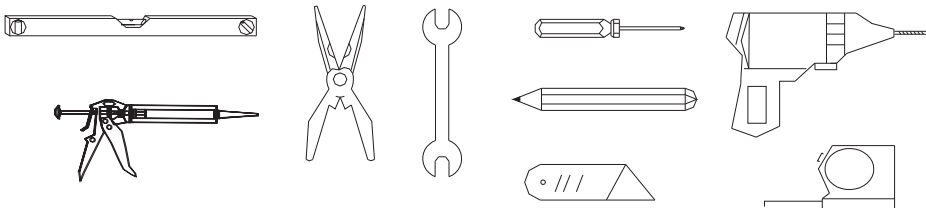
## Self-clean system



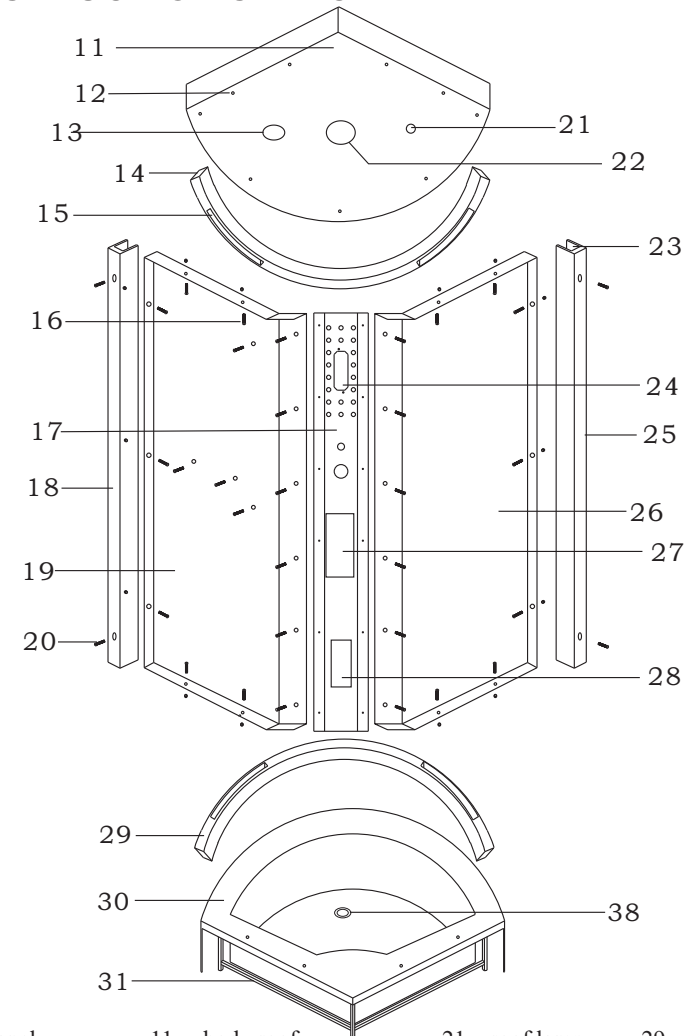
### Cleaning method :

1. Clean the steam engine regularly at least once by every 2 weeks or after using 20 times.
2. Inject citric acid as main cleaning liquid, add 1.5L each time. after 10 minutes, turn on and When the system turns on, press “” button to start the steam function for about 30seconds and then shut down the system. After vent the stagnant water, repeat 2 or 3 times.
3. CAUTION: The system must be shut down before injecting cleaning liquid .

## Packing list

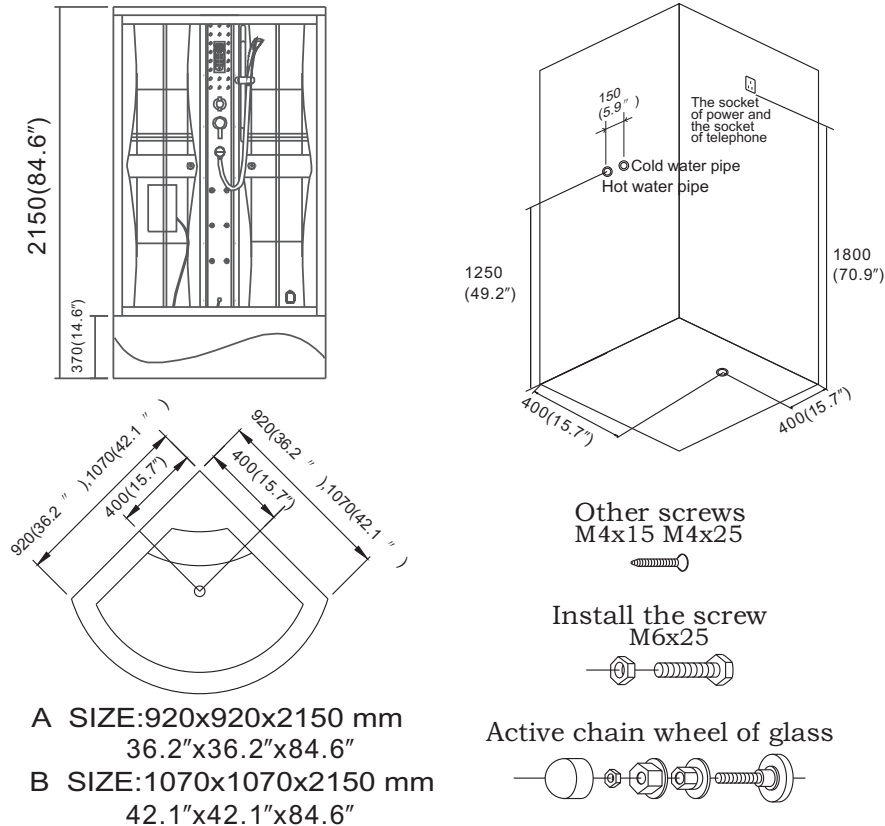
Packing 1	two pieces of back board,two pieces of fixed glass door,two pieces of sliding glass door,water resist strip four pieces,two pieces of magnetic strip for aluminum column,two pieces of aluminum column with U shaped plastic seal.			
Packing 2	one tray,one roof,one piece of ordinary shower holding bar,one piece of steam pipe with one black plastic pad,two pieces of up and down bended aluminum column with four pieces U shaped plastic seal,one set of foot massager.			
Packing 3:	one piece of post.			
Spare parts list (Put in the packing 2)	two sets of towel shelf,one soap box,one set shower,two pairs of “—” shaped handle with plastic pad,twelve sets of decorating light cap,eight pieces of wheel with cover,two pieces of straight plastic seal,6*25 screws,6*35 screws,ST4*20 screws,ST4*25 screws,ST4*20 screws,ST4*35 screws with plastic pad,one instruction.			
	SCREW (1)	M6x25		6pcs
	SCREW (2)	M6x35		6pcs
	SCREW (3)	ST4x20		4pcs
	SCREW (4)	St4x25		14pcs
	SCREW (5)	St4x35		4pcs
	SCREW (6)	St4x20		18pcs
				

## CONSTRUCTION SKETCH



- |                          |                          |                   |                        |
|--------------------------|--------------------------|-------------------|------------------------|
| 1、 control panel         | 11、 body roof            | 21、 roof lamp     | 29、 down holder        |
| 2、 handrail              | 12、 screw hole           | 22、 top shower    | 30、 bottom bathtub     |
| 3、 foot massage          | 13、 exhaust fan          | 23、 fixed holder  | 31、 bottom shelf       |
| 4、 steam out             | 14、 up holder            | 24、 control panel | 32、 glass chain wheel  |
| 5、 decorated light       | 15、 glass holder         | 25、 left holder   | 33、 sliding glass door |
| 6、 moveable shower       | 16、 6X25screw            | 26、 left body     | 34、 fixed glass        |
| 7、 function shift switch | 17、 lamp board           | 27、 electric box  | 35、 handrail           |
| 8、 cold/hot water switch | 18、 right holder         | 28、 water tank    | 36、 installation hole  |
| 9、 temperature sensor    | 19、 right body           |                   | 37、 soap box           |
| 10、 acupuncture sprayer  | 20、 4X25self-fixed screw |                   | 38、 drainage           |

## INSTALLATION SKETCH



## ILLUSTRATION OF INSTALLATION

1. The products should be installed by technical guy who are got the certificate or those technical who are assign by dealers. The main power switch and electronic leakage device should be installed.
2. The plug of electronic should be installed above the steam generator and the length of electronic wire not less then 1800MM from the earth.
3. There are should be with main power switch for hot and cold water pipe of steam room and the water pipe should be connect to drainage water pipe.
4. Install the products according to the diagram of installation When fixed the place for the products.

## ATTENTION

1. In order to be tripped and fell down, pay more attention when get into the steam room. Please don't shut the finger in the door in order to be hurt.
2. In order to avoid damaging the surface of products please do not use hardness and sharpness tool to curve the products.
3. In order to course fire, no smoking inside the bathroom.
4. the jets of steam and drainage pipe both are high temperature when products working, in order to be hurt please be careful.
5. In order to be tripped and fell down please keep clear of the bathtub after taking shower each time.
6. It will be leaking if the glass glue plastic sheet be off then please add some more for recover.
7. If there are marks of water please clear with soft cloth and toothpaste.
8. In order to be blocked of drainage device please keep clean of the surface of bathtub.
9. Please do not hang up heavy things on the steam room or the handle of steam room.
10. Please deal with the products according to the local laws when it is no longer be use.
11. Any request please contact with local dealer.

## ATTENTION FOR USAGE

1. check if power and cold/hot water switch be turn on or be turn off each time before use this product.
2. check if power of electronic leakage device be get through or not.  
Checking way:  
Press testing button, light of power be off, press button of restart then light of power be on. It is not being what mentioned above after operated step by step, then that shows the electronic protection device out off control or there is something wrong with the electronic leakage device, so should ask professional to check and maintain the product.
3. Turn off the main power of control panel after stop usage. The plug of power should be pull out because only turn off all the functions of control panel that is not stop the power.
4. People with hypertension or drunk are not allowed to have sauna steam bath.
5. Children should have sauna steam bath under adult's instruction.
6. Please don't shut the finger in the door in order to be hurt when get into the steam room.
7. In order to be tripped and fell down, pay more attention when get into the steam room.
8. keep clean of the tray in order to be tripped and fell down.
9. Pay attention to the steam sprayer and water tank drainage, they are in high temperature while working.

Attention:

The machine must be fixed in the circuit which protected by creepage protection and should be well-connected with the ground. Nontechnical people can not be fixed or removed at random.

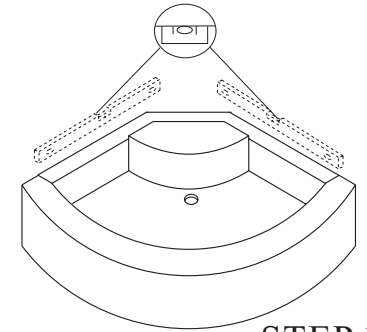
### 6、 Technical parameter

Model	Voltage	Current	Power	protecting electrifying	Waterproof Grade
KL-824	110V	25A	2650W	I	Ip4
Top light	Sidelight	Fan	Water inlet valve	Water drain valve	
20W	5W	3.5W	6W	7W	
AC12V	AC12V	DC12V	DC12V	DC12V	

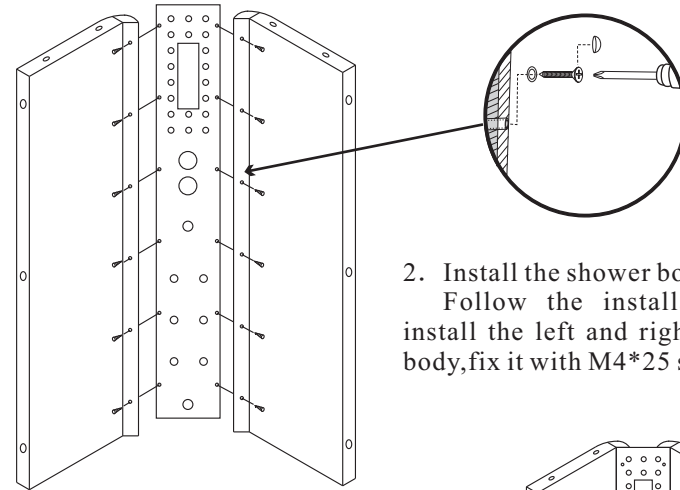
## ● INSTALLATION PROCESS

### 1. Assembly of tray

If the ground is not smooth, please adjust the nail under the tray to keep the balance of the tray and ground.



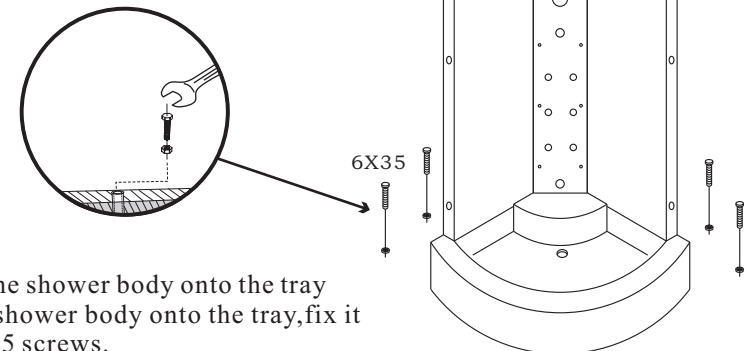
STEP 1



### 2. Install the shower body

Follow the installation process install the left and right side shower body, fix it with M4\*25 screws.

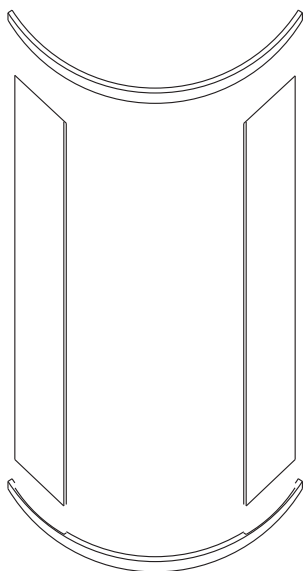
STEP 2



### 3. Install the shower body onto the tray

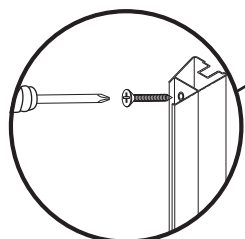
Put the shower body onto the tray, fix it with M6\*35 screws.

STEP 3



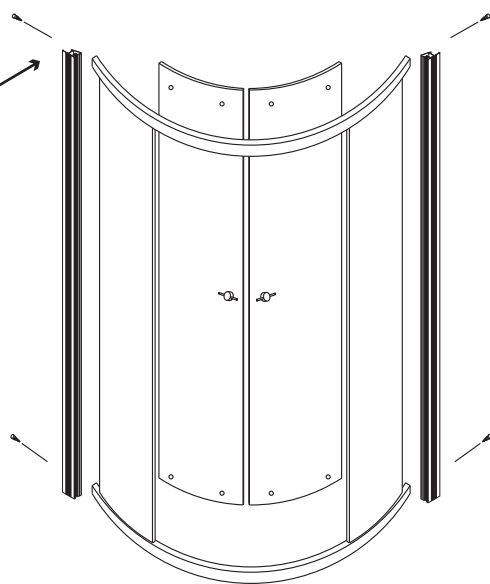
4. Assembly of fixed glass door  
Put the left and right side fixed door into the up and down aluminum track to keep it balance, fixed them with 4\*25 screws.

### STEP 4





St4x35

5. Assembly of sliding door  
Put the sliding door into the up and down aluminum track to keep it balance.






### STEP 5


#### (1) The electrical pitch

Press  pitch can open the machine, the temperature is the room temperature. The time will show 30m. At the same time, it will open the ceiling lamp. Press  again will close all the functions. (After the closure of the machine, the water case will drain for 2 minutes)

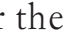
#### (2) The application of the back lamp

Press , the sidelight is on. Press  again, the ceiling lamp is out, press  a third press, the sidelight is out too.


#### 3) The steam function

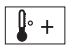

Press , startup the steam function, the water case will pump water automatically. After 60 minutes or so, it will generate steam. (When the water case is lack of water, the controller will replenish automatically)

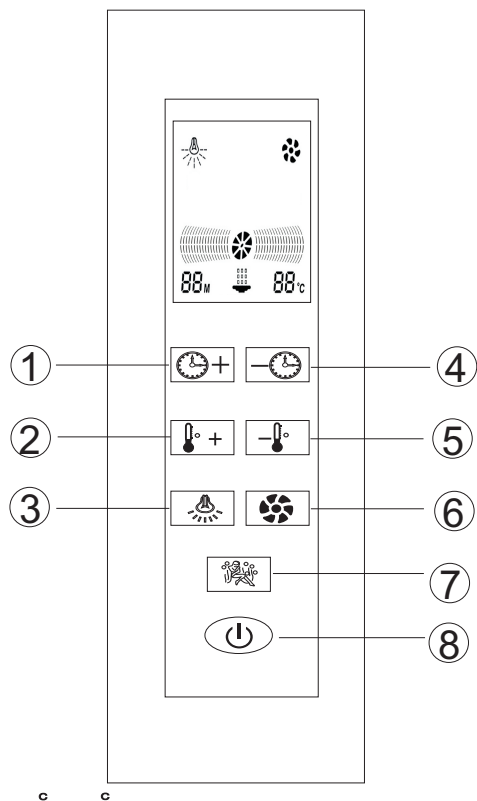
#### (4) The air draft function

Under the condition of turning on, press  can start up air draft function, press again will close it.

#### (5) The setting of time or temperature

1. Press   pitch can adjust the time from 1-99.

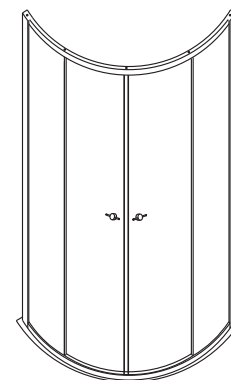
2. Press   pitch can adjust the temperature from 30-60 .



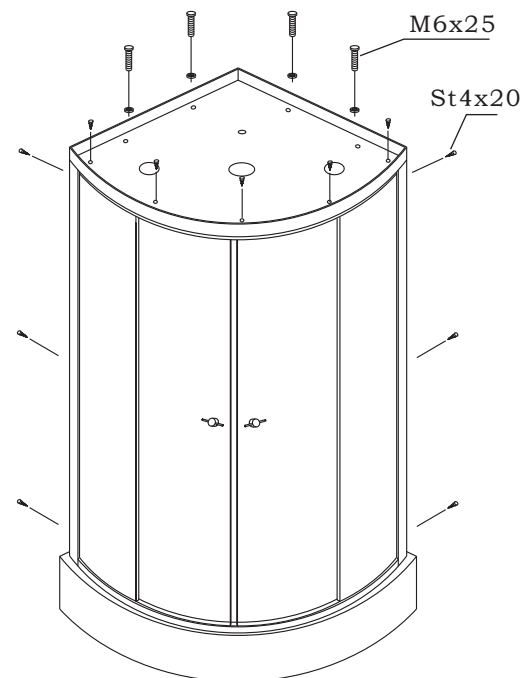
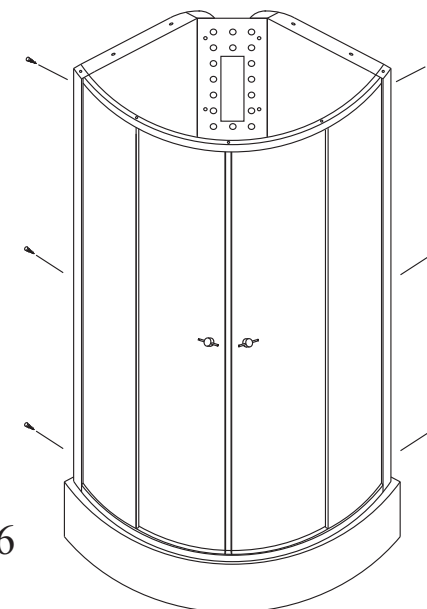
- |                                 |                                 |
|---------------------------------|---------------------------------|
| ① Time adjustment pitch+        | ⑤ Temperature adjustment pitch- |
| ② Temperature adjustment pitch+ | ⑥ Fan Pitch                     |
| ③ Ceiling Lamp/Back Lamp pitch  | ⑦ Steam Pitch                   |
| ④ Time adjustment pitch-        | ⑧ Main Cock Pitch               |

### 6. Install the glass door onto the tray

Put the plastic pad onto the aluminum post of glass door,if the length of the plastic is not suitable for the aluminum post,you can cut it in suitable size,then put it on the tray,screw with bolts.



STEP 6



STEP 7

### 7. install the roof

Leave the roof onto the top of shower body,then fix tightly with bolts.Then install spare parts.

A. Finish assembling the whole set,in order to avoid water and steam leaking,except the position of sliding glass door do not use the silicone, the silicone should be used on all else connecting position .

B. While connecting the cold and hot water pipe,wipe the silicone on the connecting mouth to make it will be connected very well.



C. Sketch map of pipe connection(show as the picture).

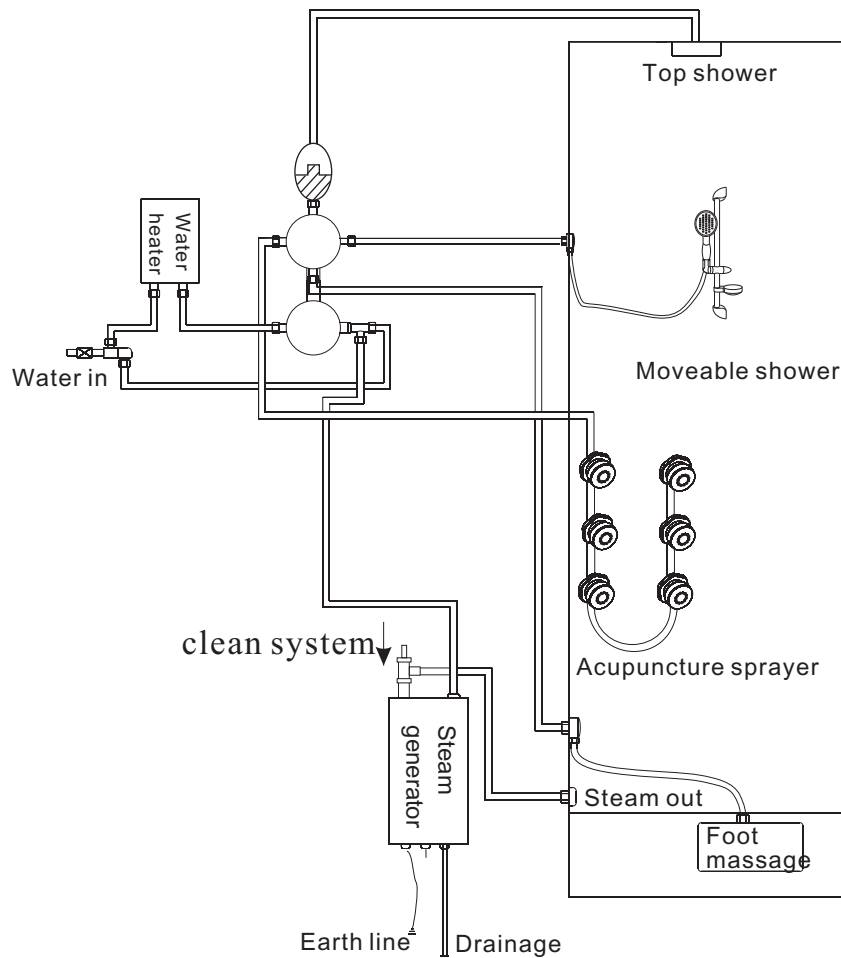
D. Assembly of spare parts(shower and so on)

Afer all spare parts have been installed well,put on the power supply and cold/ hot water switch to check whether all functions work

## DRAWING OF WATER CONNECTION

### Instructions:

1. You should install the water heater yourself.
2. As the “” “” from the picture, please make the connection according to the serial number v1, v2, etc.



## DRAWING OF ELECTRICITY CONNECTION

