



1800 PSI ELECTRIC PRESSURE WASHER

ITEM NUMBER MB801700

MANUFACTURING NO. 090079378

REPLACEMENT PARTS LIST

AND REPAIR LIST

OWT Industries, Inc.

P.O. Box 1427, Anderson, SC 29622

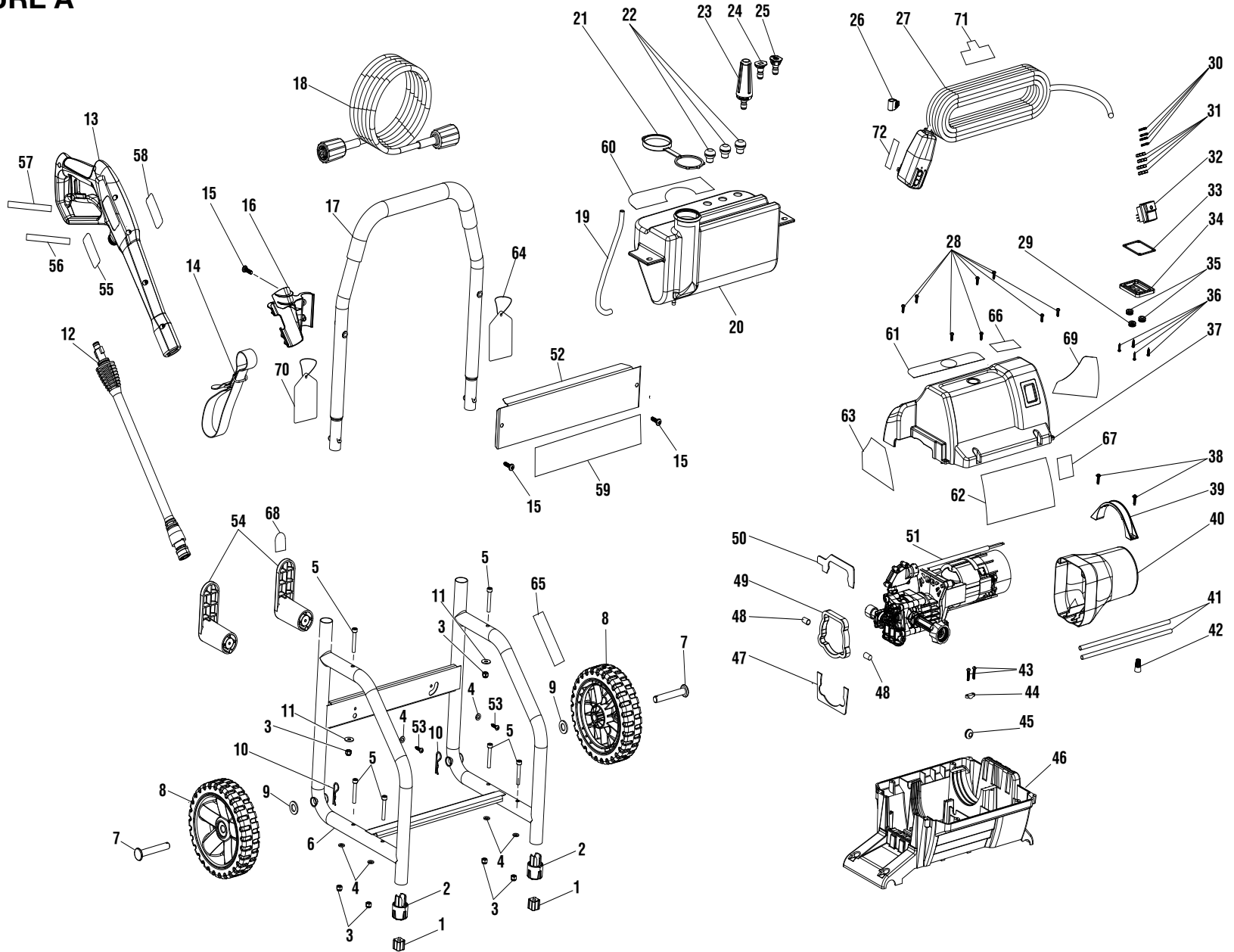
Phone 1-866-340-3912

995000144

8-25-17 (Rev:01)

BAJA PRESSURE WASHER – MODEL NO. MB801700

FIGURE A



BAJA PRESSURE WASHER – MODEL NO. MB801700

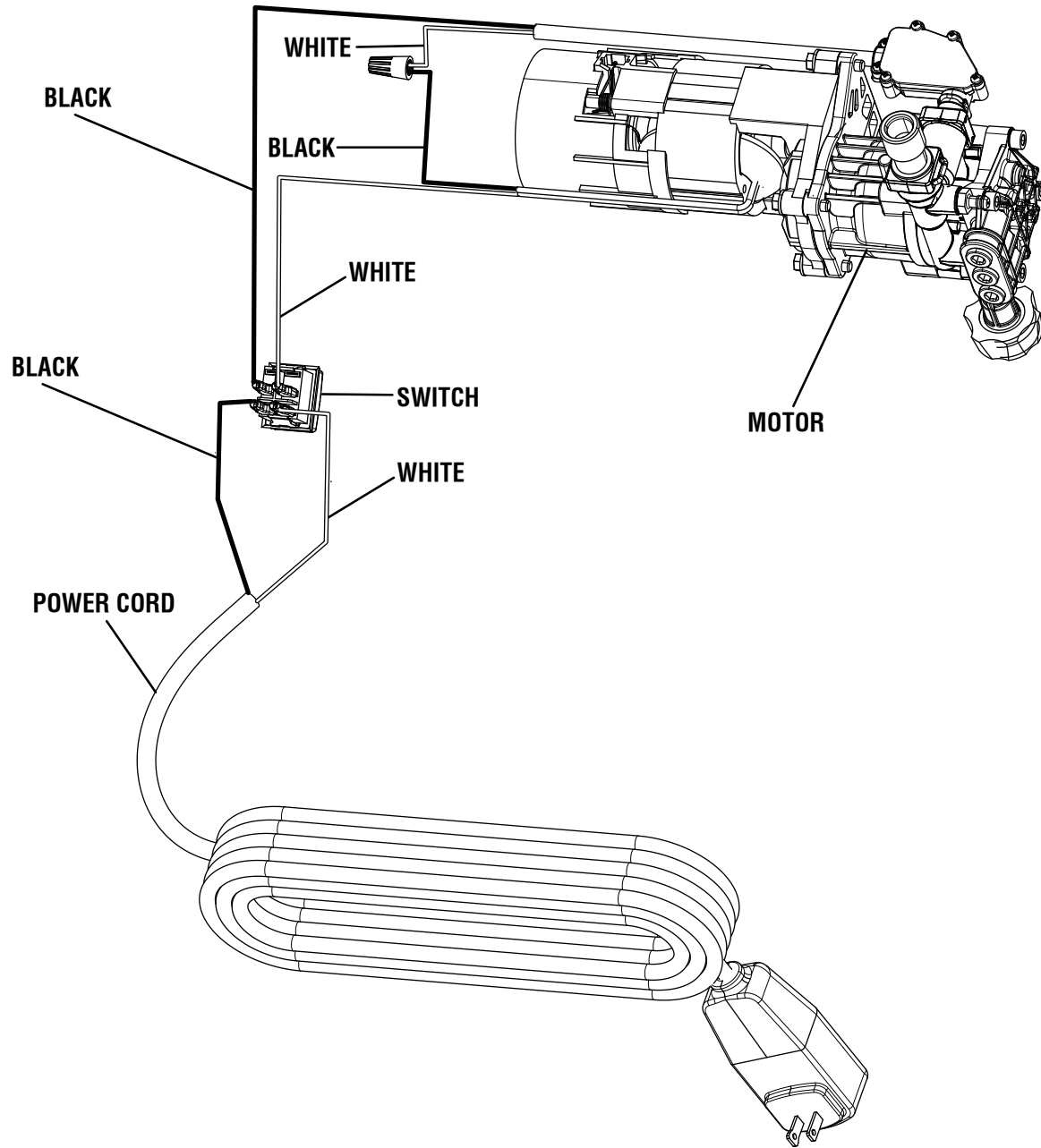
The model number will be found on a label attached to pump housing. Always mention the model number in all correspondence regarding your **PRESSURE WASHER** or when ordering replacement parts.

FIGURE A PARTS LIST

KEY NO.	PART NUMBER	DESCRIPTION	QTY	KEY NO.	PART NUMBER	DESCRIPTION	QTY	KEY NO.	PART NUMBER	DESCRIPTION	QTY
1	570554008	Foot Pad.....	2	27	290426022	Power Cord.....	1	52	678973009	Performance Panel.....	1
2	523406001	Foot Housing.....	2	28	661403016	Screw (M4.2 x 15 mm).....	8	53	661403019	Screw (M4.8 x 19 mm, Round Head).....	2
3	678460001	Lock Nut (M6).....	6	29	561383024	Grommet (Motor Wire).....	1	54	522037003	Cord Wrap Arm.....	2
4	678600010	Washer (M6).....	6	30	630236004	Terminal Connector.....	4	55	940786056	Trigger Handle Logo Label.....	1
5	660481015	Bolt (M6 x 40 mm).....	6	31	527784005	Plastic Sleeve.....	4	56	940904003	Trigger Handle Rating Label.....	1
6	308582072	Main Frame (Inc. Key Nos. 1-2)..	1	32	760504007	Main Switch.....	1	57	940324024	Trigger Warning Label (French/Spanish).....	1
7	620599029	Axle.....	2	33	570740016	Switch Cover Gasket.....	1	58	940324040	Trigger Handle Warning Label.....	1
8	308603003	Wheel.....	2	34	570417002	Switch Cover.....	1	59	940779202	Performance Label.....	1
9	678889003	Washer (ID12.5 x OD24 x 2t).....	2	35	561383012	Grommet (ID7.2 x OD11).....	2	60	940617119	Quick Start Label.....	1
10	678238004	Cotter Pin.....	2	36	661403015	Screw (M2.9 x 14 mm).....	4	61	940786041	Nozzle Selection Label.....	1
11	638128018	Washer (M6).....	2	37	522032033	Top Motor Housing.....	1	62	940705376	Logo Label.....	1
12	308494075	Spray Wand.....	1	38	661403014	Screw (M4.2 x 16 mm, Washer Head).....	2	63	940654309	Regulatory Danger Label.....	1
13	308760059	Trigger Handle (Inc. Key Nos. 55-58).....	1	39	525893001	Bracket/Motor Strap.....	1	64	961039007	Nozzle Hangtag.....	1
14	310801004	Hose Storage Strap.....	1	40	522038007	Air Shroud.....	1	65	941486010	Inquiries Label.....	1
15	660481019	Bolt (M6 x 20 mm, Phillips Hd.)..	3	41	570113003	Sleeve.....	2	66	941608005	Soap Dilution Label.....	1
16	519313010	Trigger Handle Holder.....	1	42	870601001	Wire Nut.....	1	67	940734079	On/Off Switch Label.....	1
17	310224071	Handle Assembly.....	1	43	661610008	Screw (M3.5 x 20 mm).....	2	68	941076001	Cord Unlock Label.....	1
18	308835065	High Pressure Hose.....	1	44	522051003	Cord Clamp.....	1	69	940707084	Danger Label.....	1
19	561399009	Detergent Injection Hose.....	1	45	561383025	Grommet (Housing).....	1	70	940473008	Warning/Notice Hangtag.....	1
20	580875017	Detergent Tank.....	1	46	522038004	Bottom Motor Housing.....	1	71	940324013	Warning Cordwrap Label.....	1
21	310650004	Detergent Cap.....	1	47	525894001	Gasket.....	1	72	940603006	Cord Plug Label.....	1
22	561383021	Nozzle Grommet.....	3	48	570570002	Shock Absorbing Bushing.....	2	Not Shown: 995000142 Operator's Manual (960087181)			
23	308311014	Turbo Nozzle.....	1	49	980414010	Foam.....	1				
24	308706013	Soap Nozzle.....	1	50	525894002	Gasket.....	1				
25	308698023	15° Nozzle.....	1	51	NOTE A	Motor and Pump Assembly.....	1				
26	528499001	Cord Clip.....	1								

NOTE A: OWT Industries, Inc., will not provide a complete motor/pump as a replacement part. Contact our service department for assistance.

BAJA PRESSURE WASHER – MODEL NO. MB801700



WIRING DIAGRAM