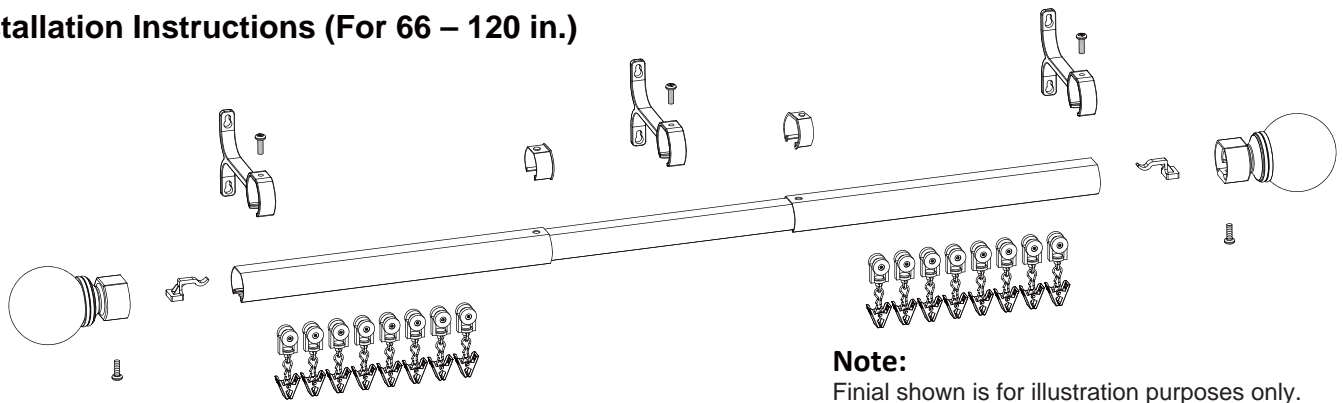
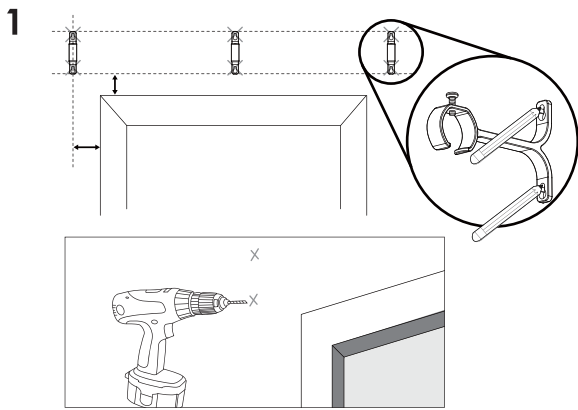


TRAVERSE ROD INSTALLATION GUIDE

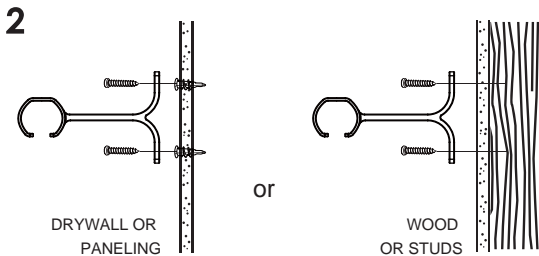
Installation Instructions (For 66 – 120 in.)



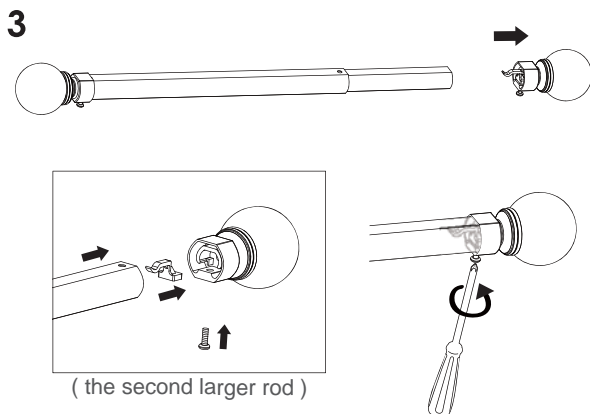
Note:
Finial shown is for illustration purposes only.
It may not represent the style of finial purchased.



Place brackets against wall or ceiling at desired locations and mark at the top of the screw holes. Use tape measure and level to make sure marked screw holes are horizontal to each other.

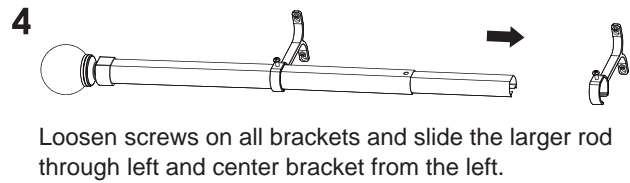


For mounting to drywall or paneling, pre-drill two pilot holes for each bracket (1/4" drill bit) and insert anchors into wall and insert screws into wall anchors. For mounting directly into wood or studs, wall anchors will not be necessary.

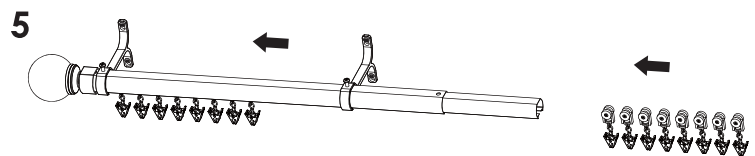


Detach the finial on the smaller diameter rod by loosening screws. Attach the finial to the second larger diameter rod by tightening screws.

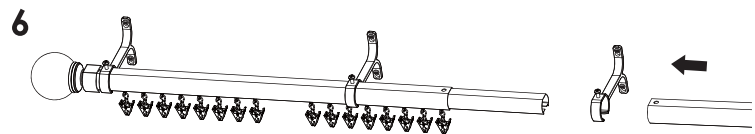
Tools needed:



Loosen screws on all brackets and slide the larger rod through left and center bracket from the left.

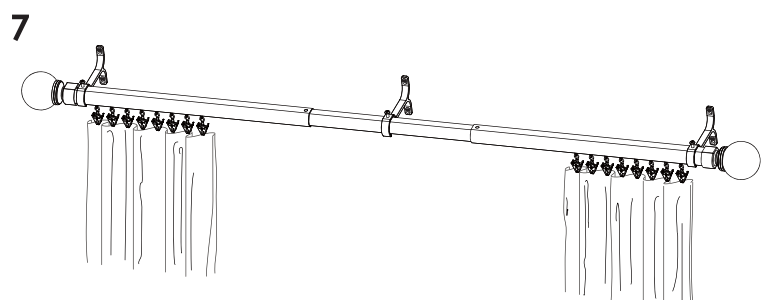


Insert roller clips into the larger diameter rod from the opening on right. Have them collected in the far end. One roller clip is recommended for every 4 inches of panels so only add clips as needed.



Slide the second larger diameter rod through the right bracket from the right. Insert the smaller diameter rod into the second larger diameter rod, connecting the two rods.

Secure rod by tightening screws on all brackets.



Attach drapery panels to rod by clipping the shirr drapery onto each roller clips.