

LawnMaster[®]

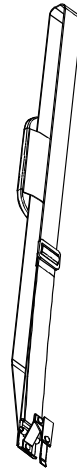
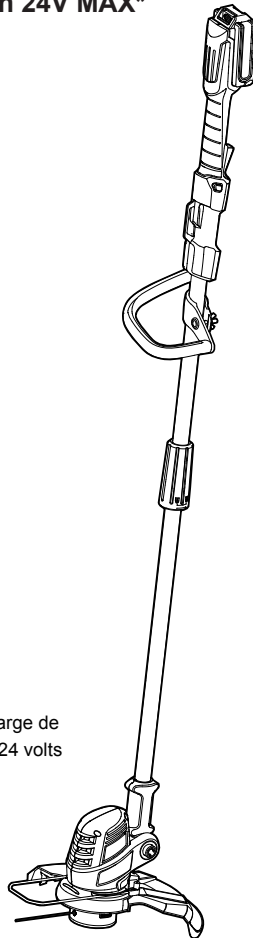
Operators Manual / Guide d'Utilisation

EN p. 2

24V MAX*-12" Li-Ion Cordless Grass Trimmer CLGT2412

FR p. 28

Coupe-gazon Sans Fil CLGT2412 De 30.48 CM (12 po) À Batterie Lithium-Ion 24V MAX*



Shoulder Strap Included

** Maximum initial battery workload voltage (measured without a workload) is 24 volts. Nominal voltage is 21.6 volts

** Tension initiale maximale de la batterie de la charge de travail (mesurée sans charge de travail) est de 24 volts Tension nominale est de 21,6 volts

CLGT2412

- ⚠** Read all safety rules and instructions carefully before operating this tool.
Distributed By Cleve North America 601 Regent Park Court Greenville, SC 29607 1-384-8432
- ⚠** Lisez toutes les règles et consignes de sécurité avant d'utiliser cette tondeuse.
Distribuée par Cleve North America 601 Regency Park Court, Greenville, SC 29607 1-384-8432



CONTENTS

CONTENTS	2
PRODUCT SPECIFICATIONS	2
GENERAL SAFETY RULES	3-4
ELECTRICAL INFORMATION	5
SYMBOLS	6-7
KNOW YOUR CORDLESS GRASS TRIMMER	8
ASSEMBLY	9-10
BATTERY CHARGER	12-13
OPERATION	13-19
MAINTENANCE	20-21
TROUBLESHOOTING	22
ENVIRONMENTAL SAFE BATTERY DISPOSAL	23
WARRANTY	24
EXPLODED VIEW	25
PARTS LIST	26
NOTES	27

PRODUCT SPECIFICATIONS

24V MAX** LITHIUM-ION CORDLESS GRASS TRIMMER

Type	Cordless, Battery-Powered
Battery	24Vd.c. Lithium-Ion
Rated No Load Speed	10000 Min ⁻¹
Cutting Device	.065" Round Monofilament Line
Cutting Width	12"
Weight	7.5 Lbs

CHARGER

Model No	24LSC01-ETL
Rated Input Voltage	100-240V 50/60Hz
Rated Output Voltage	24V
Rated Output Current	500 m A
Charging Time	Approx. 3.5 Hours

** Maximum initial battery workload voltage (measured without a workload) is 24 volts.
Nominal voltage is 21.6 volts

GENERAL SAFETY RULES

WARNING

Read and understand all instructions before using this product. Failure to follow all instructions listed below may result in electric shock, fire, and/or serious personal injury.

- Do not operate power tools in explosive atmospheres, such as in the presence of flammable liquids, gases, or dust. Power tools create sparks which may ignite the dust or fumes.
- Do not allow children or untrained individuals to use this unit.
- Don't expose power tools to rain or wet conditions. Water entering a power tool will increase the risk of electric shock.
- Do not handle plug or tool with wet hands.
- Never allow children to operate the equipment. Never allow adults to operate the equipment without proper instruction.
- Always wear safety glasses with side shields. Everyday glasses have only impact resistant lenses. They are NOT safety glasses. Following this rule will reduce the risk of eye injury. Use face mask if operation is dusty.
- Wear eye protection when operating this product. Secure long hair above shoulder level to prevent entanglement in moving parts.
- Do not expose to rain, store indoors.
- Do not operate in poor lighting.
- Keep all parts of your body away from any moving part.
- Keep hair, loose clothing, fingers and all body parts away from openings and moving parts.
- Wear heavy long pants, boots, and gloves. Avoid loose garments or jewelry that could get caught in moving parts of the machine or its motor.
- Do not force tool. Use the correct tool for your application. The correct tool will do the job better and safer at the rate for which it is designed.
- Do not operate the equipment while barefoot or when wearing sandals or similar lightweight footwear. Wear protective footwear that will protect your feet and improve your footing on slippery surfaces.
- Secure long hair so it is above shoulder level to prevent entanglement in any moving parts.
- Keep firm footing and balance. Do not overreach. Overreaching can result in loss of balance.
- Do not allow to be used as a toy. Close attention is necessary when used by or near children.
- Do not use tool if switch does not turn it on or off. Any tool that cannot be controlled with the switch is dangerous and must be repaired.
- Keep all bystanders, children, and pets at least 50 ft. away.
- Do not operate this unit when you are tired, ill, or under the influence of alcohol, drugs, or medication.
- Do not operate in poor lighting.

GENERAL SAFETY RULES

- Keep all parts of your body away from any moving parts and all hot surfaces of the unit.
- Do not put any object into openings. Do not use with any opening blocked; keep openings free of dust, lint, hair, and anything that may reduce air flow.
- Check the work area before each use. Remove all objects such as rocks, broken glass, nails, wire, or string which can be thrown or become entangled in the machine.
- Use only identical manufacturer's replacement parts and accessories. Use of any other parts may create a hazard or cause product damage.
- Do not charge battery tool in rain, or damp or wet location. Following this rule will reduce the risk of electric shock.
- For household use only.
- Battery tools do not have to be plugged into an electrical outlet; therefore, they are always in operating condition. Be aware of possible hazards when not using your battery tool or when changing accessories. Following this rule will reduce the risk of electric shock, fire, or serious personal injury.
- Remove or disconnect battery before servicing, cleaning or removing material from the gardening appliance.
- Use only this type and size batteries provided by us.
- Store idle appliances - When not in use, grass trimmer should be stored indoors in a dry, locked place out of the reach of children.
- Do not dispose of the batteries in a fire. The cell may explode. Check with local codes for possible special disposal instructions.
- Do not open or mutilate the batteries. Released electrolyte is corrosive and may cause damage to the eyes or skin. It may be toxic if swallowed.
- Do not place battery tools or their batteries near fire or heat. This will reduce the risk of explosion and possibly injury.
- explosion and possibly injury.
- Batteries can explode in the presence of a source of ignition, such as a pilot light. To reduce the risk of serious personal injury, never use any cordless product in the presence of open flame. An exploded battery can propel debris and chemicals. If exposed, flush with water immediately.
- Do not crush, drop or damage battery pack. Do not use a battery pack or charger that has been dropped or received a sharp blow. A damaged battery is subject to explosion. Properly dispose of a dropped or damaged battery immediately.
- Exercise care in handling batteries in order not to short the battery with conducting materials such as rings, bracelets, and keys. The battery or conductor may overheat and cause burns.
- Do not open or mutilate the batteries. Released electrolyte is corrosive and may cause damage to the eyes or skin. It may be toxic if swallowed.
- For best results, your battery tool should be charged in a location where the temperature is more than 50°F but less than 100°F. To reduce the risk of serious personal injury, do not store outside or in vehicles.
- Under extreme usage or temperature conditions, battery leakage may occur. If liquid comes in contact with your skin, wash immediately with soap and water, then neutralize with lemon juice or vinegar. If liquid gets into your eyes, flush them with clean water for at least 10 minutes, then seek immediate medical attention. Following this rule will reduce the risk of serious personal injury.

ELECTRICAL INFORMATION

- If the power supply cord is damaged, it must be replaced only by the manufacturer or by an authorized service center to avoid risk.
- Do not point the grass trimmer in the direction of people or pets.
- Never run the unit without the proper equipment attached. Always ensure the sweeper tubes are installed.
- When not in use, grass trimmer should be stored indoors in a dry, locked up place—out of the reach of children.
- Maintain tool with care. Keep fan area clean for best and safest performance. Follow instructions for proper maintenance. Do not attempt to clear clogs from tool without first unplugging it.
- To reduce the risk of electrical shock, do not expose to rain, do not use on wet surfaces. Store indoors.
- Save these instructions. Refer to them frequently and use them to instruct others who may use this power tool. If you loan someone this power tool, loan them these instructions also.

CHILD SAFETY

Tragic accidents can occur if the operator is not aware of the presence of children.

- Keep children out of the working area and under the watchful care of a responsible adult.
- Do not allow children under the age of 14 to operate this grass trimmer. Children who are 14 years of age and older must read and understand the operating instructions and safety rules in this manual and must be trained and supervised by a parent.
- Stay alert, and turn the grass trimmer off if a child or any other person enters the working area.
- Look behind and down for small children before and while cutting backwards.
- Use extreme care when approaching blind corners, doorways, shrubs, trees, or other objects that may obscure your view of a child who may run into the path of the grass trimmer.

WARNING (PROPOSITION 65)








Some dust created by power sanding, sawing, grinding, drilling, and other construction activities contains chemicals known to cause cancer, birth defects or other reproductive harm. Some examples of these chemicals are:

- Lead from lead-based paints
- Crystalline silica from bricks and cement and other masonry products, and
- Arsenic and chromium from chemically treated lumber.

Your risk of exposure to these chemicals varies depending on how often you do this type of work. To reduce your exposure to these chemicals, work in a well-ventilated area, and work with approved safety equipment, such as dust masks that are specially designed to filter out microscopic particles.




SYMBOLS

On the product, the rating label and within these instructions you will find among others the following symbols and abbreviations. Familiarise yourself with them to reduce hazards like personal injuries and damage to property.

SYMBOL	NAME	DESIGNATION/EXPLANATION
V	Volts	Voltage
A	Amperes	Current
Hz	Hertz	Frequency (cycles per second)
W	Watts	Power
min	Minutes	Time
	Alternating Current	Type of current
	Direct Current	Type or a characteristic of current
/min	Per Minute	Revolutions, strokes, surface speed, orbits etc., per minute
	Wet Conditions Alert	Do not expose to rain or use in damp locations
	Read The Operator's Manual	To reduce the risk of injury user must read and understand operator's manual before using this product.
	Eye Protection	Wear eye protection when operating this equipment.
	Safety Alert	Precautions that involve your safety.
	Keep Bystanders Away	Keep all bystanders at least 50 ft. away.

SYMBOLS

The following signal words and meanings are intended to explain the levels of risk associated with this product.

SYMBOL	SIGNAL	MEANING
	DANGER	Indicates an imminently hazardous situation, which, if not avoided, will result in death or serious injury.
	WARNING	Indicates a potentially hazardous situation, which, if not avoided, could result in death or serious injury.
	CAUTION	Indicates a potentially hazardous situation, which, if not avoided, may result in minor or moderate injury.
	CAUTION	(Without Safety Alert Symbol) Indicates a situation that may result in property damage.

SERVICE

Servicing requires extreme care and knowledge and should be performed only by a qualified service technician. For service we suggest you return the product to your nearest **AUTHORIZED SERVICE CENTER** for repair. When servicing, use only identical replacement parts.

W A R N I N G

To avoid serious personal injury, do not attempt to use this product until you have read this Owner's Manual thoroughly and understand it completely. If you do not understand the warnings and instructions in this Owner's Manual, do not use this product. Call the Toll-free Helpline (866)-384-8432 for assistance. The operation of any power tool can result in foreign objects being thrown into your eyes, which can result in severe eye damage. Before operating a power tool, always wear safety goggles, safety glasses with side shields, or a full face shield when needed. We recommend a Wide Vision Safety Mask for use over eyeglasses or standard safety glasses with side shields. Always use eye protection that is marked to comply with ANSI Z87.1.

W A R N I N G



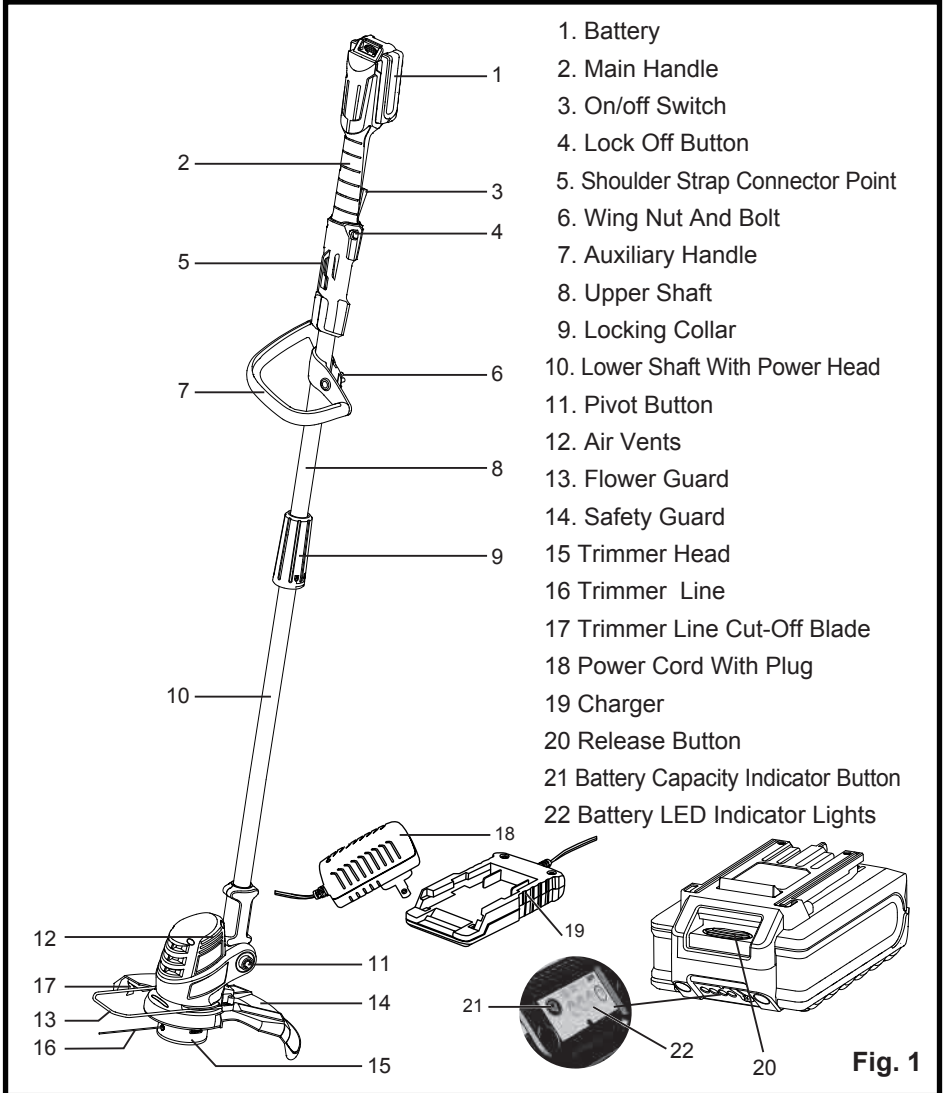
The operation of any power tool can result in foreign objects being thrown into your eyes, which can result in severe eye damage. Before beginning power tool operation, always wear safety goggles or safety glasses with side shields and, when needed, a full face shield. We recommend Wide Vision Safety Mask for use over eyeglasses or standard safety glasses with side shields. Always use eye protection which is marked to comply with ANSI Z87.1.

SAVE THESE INSTRUCTIONS

KNOW YOUR CORDLESS GRASS TRIMMER

KNOW YOUR PRODUCT (Fig. 1)

The safe use of this product requires an understanding of the information on the product and in this operator's manual as well as a knowledge of the project you are attempting. Before use of this product, familiarize yourself with all operating features and safety rules.



ASSEMBLY

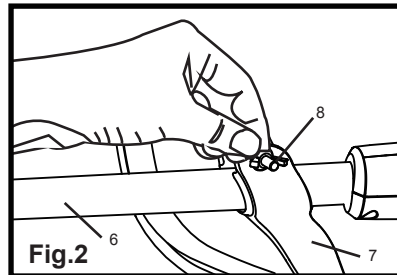
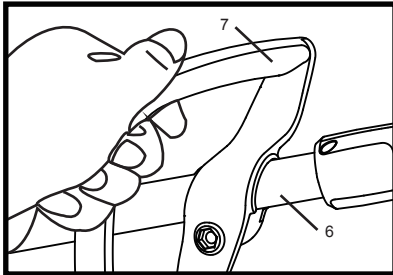
⚠ WARNING:

Before assembly, make sure that the grass trimmer is switched off and the battery is removed.

FITTING THE AUXILIARY HANDLE (See Figure 2.)

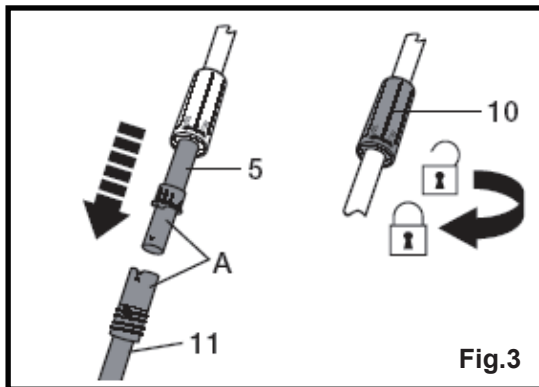
- Loosen the wing nut from the auxiliary handle.
- Align the auxiliary handle with the power head shaft.
- Adjust the auxiliary handle to the most comfortable position.
- Insert the bolt in the hole on the auxiliary handle and tighten the wing nut securely.

NOTE: Auxiliary handle can be mounted from either side of the shaft to accommodate personal preference of use.



CONNECTING LOWER AND UPPER SHAFTS

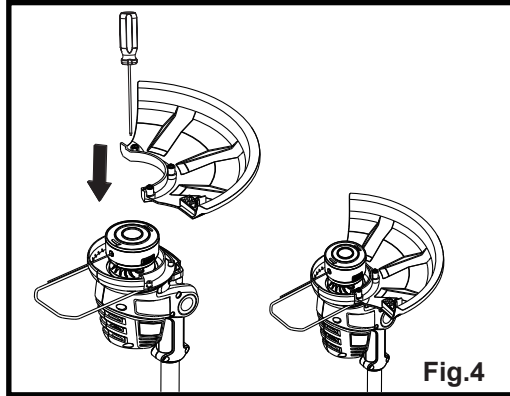
- Align the upper shaft with the lower shaft. The triangle-shaped recesses must face each other.
- Insert the upper shaft into the lower shaft.
- Fasten both shafts with the locking collar (Fig.3).



ASSEMBLY

SAFETY GUARD

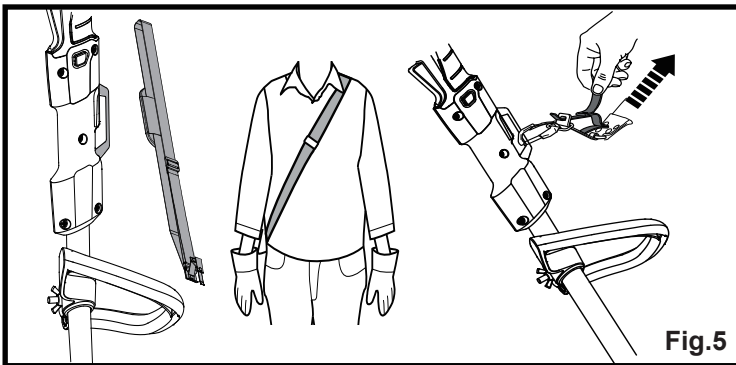
- Align the safety guard with the trimmer head .
- Secure it by tightening the three mounting screws with a screwdriver (Fig. 4).



SHOULDER STRAP

The shoulder strap helps the operator to carry the product.

- Attach the securing clip on the shoulder strap to the shoulder strap connector point.
- To remove the shoulder strap from the shoulder strap connector point, pull the locking bar back and out of the hole.
- Install and place the shoulder strap as show below. (fig 5)



BATTERY CHARGER

BATTERY PACK AND CHARGER

Attach/ Release (See Figure 6.)

- Align the battery pack to the slots on the charger and slide it in until it locks in place
- Connect the charger to the power supply.
- Allow sufficient charging time (3.5 hours), and then disconnect the charger from the power supply.
- Press the release button on the battery pack and remove battery from charger.

NOTE: It is normal for the battery pack and charger to become warm (but not hot) during charging process. If the battery does not charge properly, check to make sure the electrical outlet is "live".

NOTE: Always charge the battery before storage! To reduce risk of fire, never leave the battery connected with the charger for more than 24 hours!

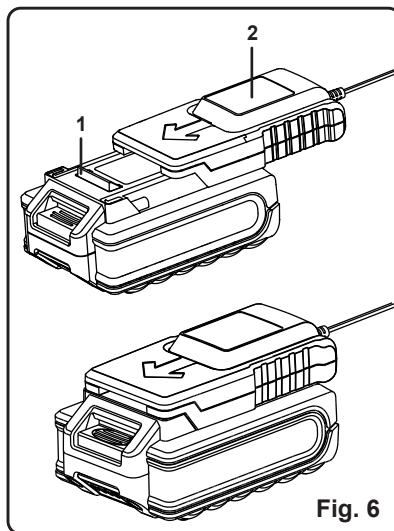


Fig. 6

CONNECT BATTERY PACK (See Figs 9-12)

- Make sure the on/off switch is in its off position.
- Attach the battery pack to the product. Ensure it snaps in place.
- Your product is now ready to be used.

BATTERY CHARGING




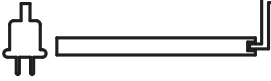




- Do not use other battery chargers. The battery charger supplied is specifically designed for the Lithium-Ion battery used in this garden appliance. This ISM device complies with Canadian ICES-003.
- Check the mains voltage! Battery chargers operate on 100-240 V.
- The battery is charged between -5 °C and 60 °C. This ensures an optimum battery service life.
- Protect the battery from heat, from continuous exposure to sun and keep away from radiation or other heat sources. Do not leave the battery in the grass trimmer in direct sunlight over long periods.
- The battery is supplied partially charged. To ensure full capacity of the battery, charge the battery before using your appliance for the first time. The Lithium Ion battery can be charged at any time without reducing its service life. Interrupting the charging procedure does not affect the battery.
- Always leaves it fully charged if kept in the charger for storage.

BATTERY CHARGER

CHARGER LEDS

- If the battery is not inserted, a continuous red LED light indicates that the mains plug is plugged into a mains socket and the battery charger is ready for operation.
- Charging: a flashing green LED on the charger indicates that the battery is charging normally.
- Charged: continuous green LED on the charger indicates that the battery is ready for use.
- A flashing red LED light on the charger indicates that the battery temperature is not within $-5\text{ }^{\circ}\text{C}$ – $50\text{ }^{\circ}\text{C}$ or the charging current is too high.
- After continuous or repeated charging cycles without interruption, the charger may warm up. This is normal and does not indicate a technical defect of the battery charger.

THE LIGHTS ON THE CHARGER INDICATE THE CHARGER STATUS.

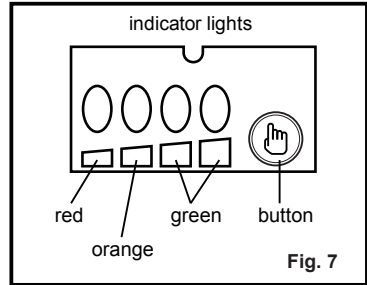
Symbol	Indicator lights (22)	Status	
		red, blinking	technical defect
		red, continuous	charging
		green, continuous	fully charged
			

BATTERY LED PANEL (See Figure 7.)

- The panel consists of 4 LEDs on the battery. Press and hold the button, then release it, the LEDs will show you the charge levels.
- The battery's charge level can be checked either when the battery is attached on the machine or removed from the machine.

BATTERY CHARGER

LEDs on battery (Continuous lighting)	Battery Capacity
4 LEDs (inc 2 green)	Fully charged
3 LEDs (inc 1 green)	≥ 50%
2 LEDs (orange & green)	≥ 25%
1 LEDs (red only)	≤ 25% Recharge required



OPERATION

INTENDED USE

This grass trimmer CLGT2412 is with rated battery voltage of 24 V . 24LSC01-ETL designates the respective charger with a charging voltage of 24 V .

The product is intended for cutting weed, grass or similar soft vegetation in areas that are hard to reach, e.g. under bushes, on slopes and edges. It may not be used to work on unusual thick, dry or wet grass, e.g. pasture grass, or to shred leaves.

This product is intended for private domestic use only, not for any commercial trade use. It must not be used for any purposes other than those described.

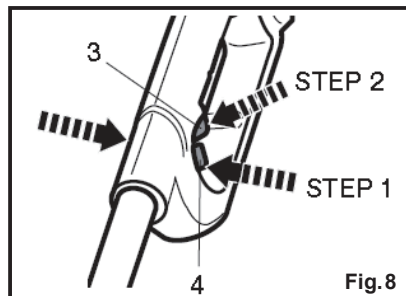
ON/OFF SWITCH

- Press the lock-off button [4] on either side and hold it in position (Fig.8, STEP 1).

- Press the on/off switch [3] to switch the product on (Fig.8, STEP 2).

The lock-off button can then be released.

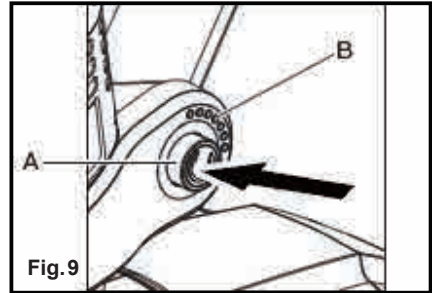
- Release the on/off switch to switch the product off.



OPERATION

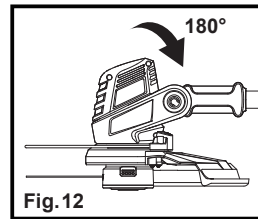
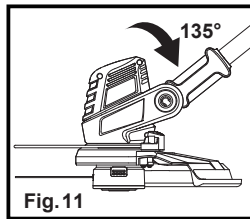
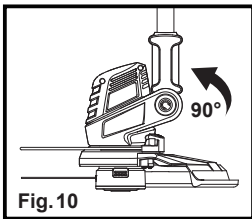
SAFETY GUARD

- The safety guard protects the operator against thrown objects during operation.
- The safety guard is equipped with a trimmer line cut-off blade that cuts excess trimming line (Fig.9).



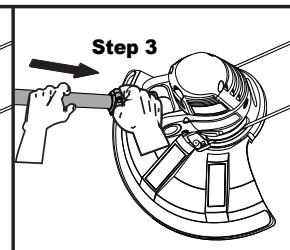
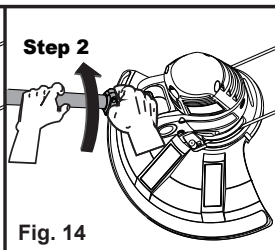
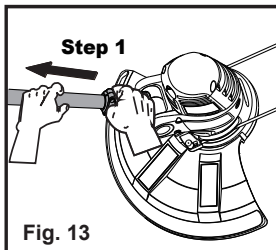
PIVOTING HEAD (See Figs 9-12)

- To pivot the head, push the pivot button (A) and adjust to any of the 7 positions and shown (B)
- Adjust the angle of the trimmer head according to the intend operation.
- Adjust to desired position: adjust to 0° when trimmer grass on flat ground. Adjust to 90° or 180° when trimmer near edges and walls.



EDGING (See Figure 13-14.)

- The rotating handle can be used in combination with the edging function for edging sidewalks and walkways.
- Pull the tube outwards (step 1) and away from the motor as shown. With the tube and motor separated, user can rotate handle to any of 3 positions for easier edging (step 2). Motor head and tube will lock into place. (step 3)

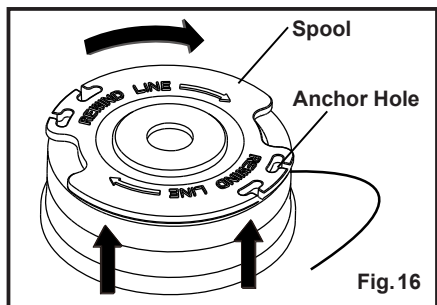
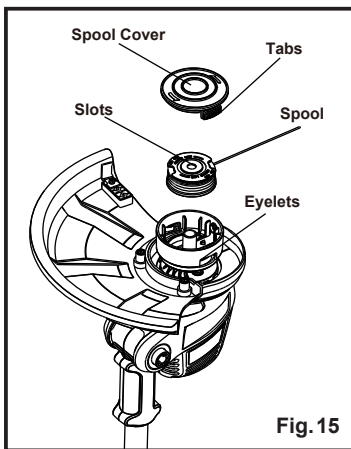


OPERATION

SPOOL REPLACEMENT (See Figure 15.)

- Use only **0.065 in. diameter round monofilament line.**
Use original manufacturer's replacement line for best performance.
- Unplug the string trimmer.
- Push in tabs on side of spool cover.
- Pull spool cover up to remove.
- Remove spool.
- To install the new spool, make sure the line is captured in the anchor hole on the new spool.
Make sure the end of the line is extended approximately 6 in. beyond the slot.
- Install the new spool so that the line and slot align with the eyelet in the line head. Thread the lines into the eyelet.
- Pull the line extending from the line head so the line releases from the slot in the spool.
- Reinstall the spool cover by depressing tabs into slot in the line head and pushing down until spool cover clicks into place.

NOTE: Use LawnMaster spool model # RS0303 for replacement.



LINE REPLACEMENT (See Figure 16.)

- Unplug the string trimmer.
- Remove the spool from the line head.

NOTE: Remove any old line remaining on the spool. Cut two pieces of line, each being approximately 9 ft. (2.7 m) long. Use only **0.065 in. (1.65 mm) diameter round monofilament line.**

OPERATION

- Insert the line into the anchor hole in the upper part of the spool. Wind the line around the upper part of the spool counterclockwise, as shown by the arrows on the spool. Place line in the slot on upper spool flange, leaving about 6 in. (152 mm) extended beyond the slot. Do not overfill. After winding the line, there should be at least 1/4 in. (6 mm) between the wound line and the outside edge of the spool.
- Install the spool in the line head and replace the spool cover as described in Spool Replacement.

⚠ WARNING: Only use the appropriate type of cutting line.

FLOWER GUARD (See *Figure 17-18.*)

Use the yoke to keep distance to obstacles that could be hit by the cutting device.

- Push the Flower Guard (13) to its outer position for operation until it snaps into place (Fig.17).
- Push the Flower Guard (13) to its inner position after operation and when storing (Fig.18).

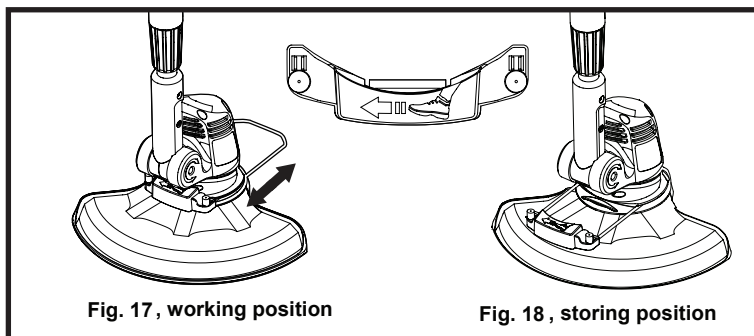


Fig. 17 , working position

Fig. 18 , storing position

⚠ WARNING:

Adjust the Flower Guard position only when the product is switched off and the cutting device is at a complete stop!

GENERAL OPERATION

- Check the product, its battery pack and charger as well as accessories for damage before each use. Do not use the product if it is damaged or shows wear.
- Double check that accessories and trimming blades are properly fixed.
- Always hold the product by its handles. Keep the handles dry to ensure safe support.
- Ensure that the air vents are always unobstructed and clear. Clean them if necessary with a soft brush. Blocked air vents may lead to overheating and damage the product.

OPERATION

- Switch the product off immediately if you are disturbed while working by other people entering the working area. Always let the product come to complete stop before putting it down.
- Do not overwork yourself. Take regular breaks to ensure you can concentrate on the work and have full control over the product.

TRIMMING

- Do not cut wet grass because it tends to stick to the cutting means and guard, prevents proper discharge of grass clippings, and could cause you to slip and fall.
- Wait until the product has come to a standstill before placing it down.
- Regularly remove clippings and dirt around the trimmer head with a switched off product.
- Pay attention when performing work close to trees and bushes. The cutting device can damage sensitive bark, and damage fence posts.
- Work rhythmically. Stand firmly with your feet apart. Cut from right to left so the trimmings will be thrown away from the work area (Fig. 19).

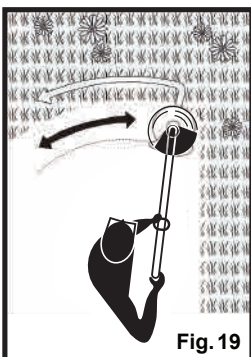


Fig. 19

- Do not move the product too fast as this will result in ineffective cutting and possible damage.
- Cut repeatedly from up and down in layers when the grass is very high (Fig. 20 - 21)

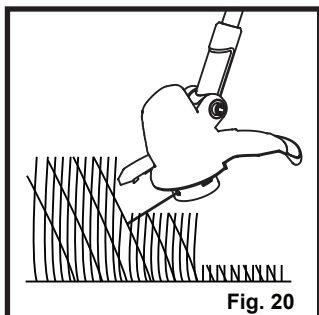


Fig. 20

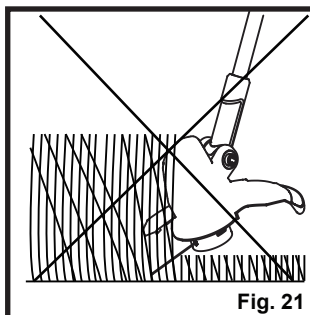
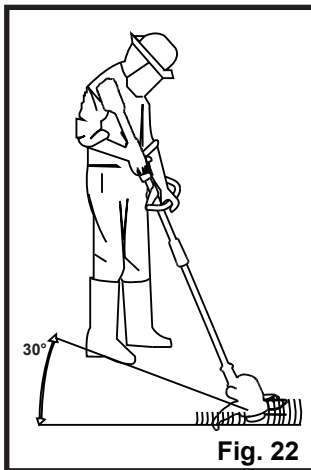


Fig. 21

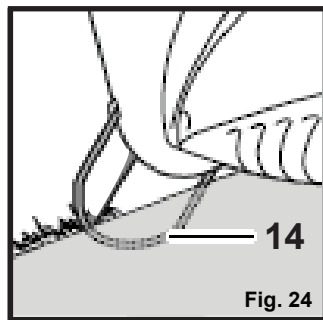
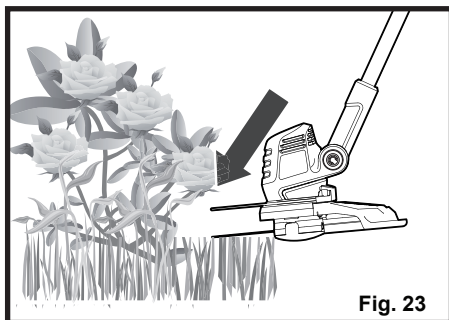
OPERATION

- Keep the trimmer head at an angle of about 30° to the ground when trimming. Avoid pressing it against the ground as this can ruin the lawn and damage the product (Fig. 22).



NOTE: Let the cutting device do the work. Let it work at its own pace, never force it into the area to be cut.

- Carefully maneuver the product around objects, such as trees and bushes, ensuring it does not come into contact with them. Use the Flower Guard to ensure that the cutting device does not come into contact with sensitive plants (Fig. 23).



- Adjust the trimmer head angle when trimming on edges. Use the Flower Guard to avoid bringing the cutting device into contact with hard objects such as walls and curbs. (Fig 24)

OPERATION

AFTER USE

- Switch the product off, remove the battery back and let it cool down.
- Check, clean and store the product as described below.

GENERAL CLEANING

- Clean the product with a dry cloth. Use a brush for areas that are hard to reach.
- In particular clean the air vents (12) after every use with a cloth and brush.
- Remove stubborn dust with high pressure air (max. 3 bar).

NOTE: Do not use chemical, alkaline, abrasive or other aggressive detergents or disinfectants to clean this product as they might be harmful to its surfaces.

- Check for worn or damaged parts. Replace worn parts as necessary or contact an authorised service centre for repair before using the product again.

GUARD

- Keep the guard clean and free of debris. Remove trimmings.
- Replace the guard with a one of the same type when it's worn or shows damage.

CHARGER

- If the power cord of the charger is damaged, it must be replaced by the manufacturer, its service agent or similarly qualified persons in order to avoid a safety hazard.

MAINTENANCE

REPAIR

- This product does not contain any parts that can be repaired by the consumer. Contact a qualified specialist to have it checked and repaired.

STORAGE

- Clean the product as described above.
- Store the product and its accessories in a dry, frost free place.
- Always store the product in a place that is inaccessible to children. The ideal storage temperature is between 50 and 86 degrees F.
- We recommend using the original package for storage or covering the product with a suitable cloth to protect it against dust.

TRANSPORTATION

- Switch the product off and remove the battery pack before transporting it anywhere.
- Attach transportation guards, if applicable.
- Always carry the product by its handles.
- Protect the product from any heavy impact or strong vibrations which may occur during transportation in vehicles.
- protect the product from any heavy impact or strong vibrations which may occur during transportation in vehicles.
- Secure the product to prevent it from slipping or falling over.

CORRECT DISPOSAL OF THIS PRODUCT

This marking indicates that this product should not be disposed with other household wastes .

To prevent possible harm to the environment or human health from uncontrolled waste disposal, recycle it responsibly to promote the sustainable reuse of material resources. To return your used device, please use the return and collection systems or contact the retailer where the product was purchased. They can take this product for environmental safe recycling.

MAINTENANCE

WARNING:

In order to avoid personal injury and the risk of fire and electric shock, remove the battery pack before adjusting, inspecting, or cleaning the grass trimmer.

CLEANING

Remove The Battery Pack.

- Brush or blow dust and debris out of the air vents using compressed air or a vacuum. Keep the air vents free of obstructions, sawdust, and wood chips. Do not spray, wash, or immerse the air vents in water.
- Wipe off the housing and the plastic components using a moist, soft cloth. Do not use strong solvents or detergents on the plastic housing or plastic components. Certain household cleaners may cause damage, and may cause a shock hazard.

BATTERY PACK

- Store the battery pack fully charged.
- Recharge the battery pack whenever there is less power. Do not allow the battery pack to become completely discharged.
- Do not recharge a battery pack that is already fully charged. Overcharging shortens battery life.
- Once the charging light turns green, remove the battery from the charger and disconnect the charger from the outlet.
- Do not store the battery pack on the tool or in the charger.
- Recharge the battery at a temperature of between 0 and 40°C. If the battery pack is hot, allow it to cool down before recharging.
- After charging, the battery pack may be stored in the charger, as long as the charger is not plugged in.

CHARGER MAINTENANCE

- Keep the charger clean and clear of debris. Do not allow foreign material to get into the recessed cavity or onto the contacts. Wipe the charger clean with a dry cloth. Do not use solvents or water, and do not place the charger in wet conditions.
- Unplug the charger when there is no battery pack in it.
- Fully charge the batteries before placing them in storage. Do not recharge a fully charged battery pack.
- Overcharging will shorten battery life.
- Recharge the battery pack whenever there is less power. Do not allow the batteries to become completely discharged.
- Store the charger at normal room temperature. Do not store it in excessive heat. Do not use the charger in direct sunlight. Recharge at room temperature between 10 and 40°C. If the battery pack is hot, allow it to cool down before recharging.

TROUBLESHOOTING

Suspected malfunctions, are often due to causes that the user can fix themselves. Therefore check the product using this section. In most cases the problem can be solved quickly.

WARNING:

Only perform the steps described within these instructions!

All further inspection, maintenance and repair work must be performed by an authorised service centre or a similarly qualified specialist if you cannot solve the problem yourself!

Problem	Possible cause	Solution
1. Product does not start	1.1 Battery pack not properly attached 1.2 Battery pack discharged 1.3 Battery pack damaged 1.4 Other electrical defect to the product	1.1 Attach properly 1.2 Remove and charge battery pack 1.3 Check by a specialist electrician 1.4 Check by a specialist electrician
2. Product does not reach full power	2.1 Battery pack capacity too low 2.2 Air vents are blocked	2.1 Charge battery pack 2.2 Clean the air vents
3. Unsatisfactory result	3.1 Cutting device worn	3.1 Replace with a new one

ENVIRONMENTALLY SAFE BATTERY DISPOSAL



The following toxic and corrosive materials are in the batteries used in this hedge trimmer battery pack: **Lithium-Ion, a toxic material.**

WARNING:

All toxic materials must be disposed of in a specified manner to prevent contamination of the environment. Before disposing of damaged or worn out Lithium-Ion battery packs, contact your local waste disposal agency, or the local Environmental Protection Agency for information and specific instructions. Take the batteries to a local recycling and/or certified for cadmium disposal.

WARNING:

If the battery pack cracks or breaks, with or without leaks, do not recharge it and do not use.

Dispose of it and replace with a new battery pack. **DO NOT ATTEMPT TO REPAIR IT!**

To avoid injury and risk of fire, explosion, or electric shock, and to avoid damage to the environment:

- Cover the battery's terminals with heavy-duty adhesive tape.
- DO NOT attempt to remove or destroy any of the battery pack components.
- DO NOT attempt to open the battery pack.
- If a leak develops, the released electrolytes are corrosive and toxic. DO NOT get the solution in the eyes or on skin, and do not swallow it.
- DO NOT place these batteries in your regular household trash.
- DO NOT incinerate.
- Do NOT place them where they will become part of any waste landfill or municipal solid waste stream.

Take them to a certified recycling or disposal centre.

WARRANTY

We take pride in producing a high quality, durable product. This Lawnmaster® product carries a limited two (2) years warranty against defects in workmanship and materials from date of purchase under normal household use. If product is to be used for commercial, industrial or rental use, a 30 day limited warranty will apply.

Batteries carry a one-year warranty against defects in workmanship and materials.

Batteries must be charged in accordance with the operator's manual directions and regulations in order to be valid. Warranty does not apply to defects due to direct or indirect abuse, negligence, misuse, accidents, repairs or alterations and lack of maintenance. Please keep your receipt/packing list as proof of purchase. This warranty gives you specific legal rights, and you may have other rights, which vary from state to state. For product service call Customer Service at 1-384-8432.

Items not covered by warranty :

1. Any part that has become inoperative due to misuse, commercial use, abuse, neglect, accident, improper maintenance, or alteration;
2. The unit, if it has not been operated and/or maintained in accordance with the owner's manual;
3. Normal wear, except as noted below;
4. Routine maintenance items such as lubricants, nylon line;
5. Normal deterioration of the exterior finish due to use or exposure.

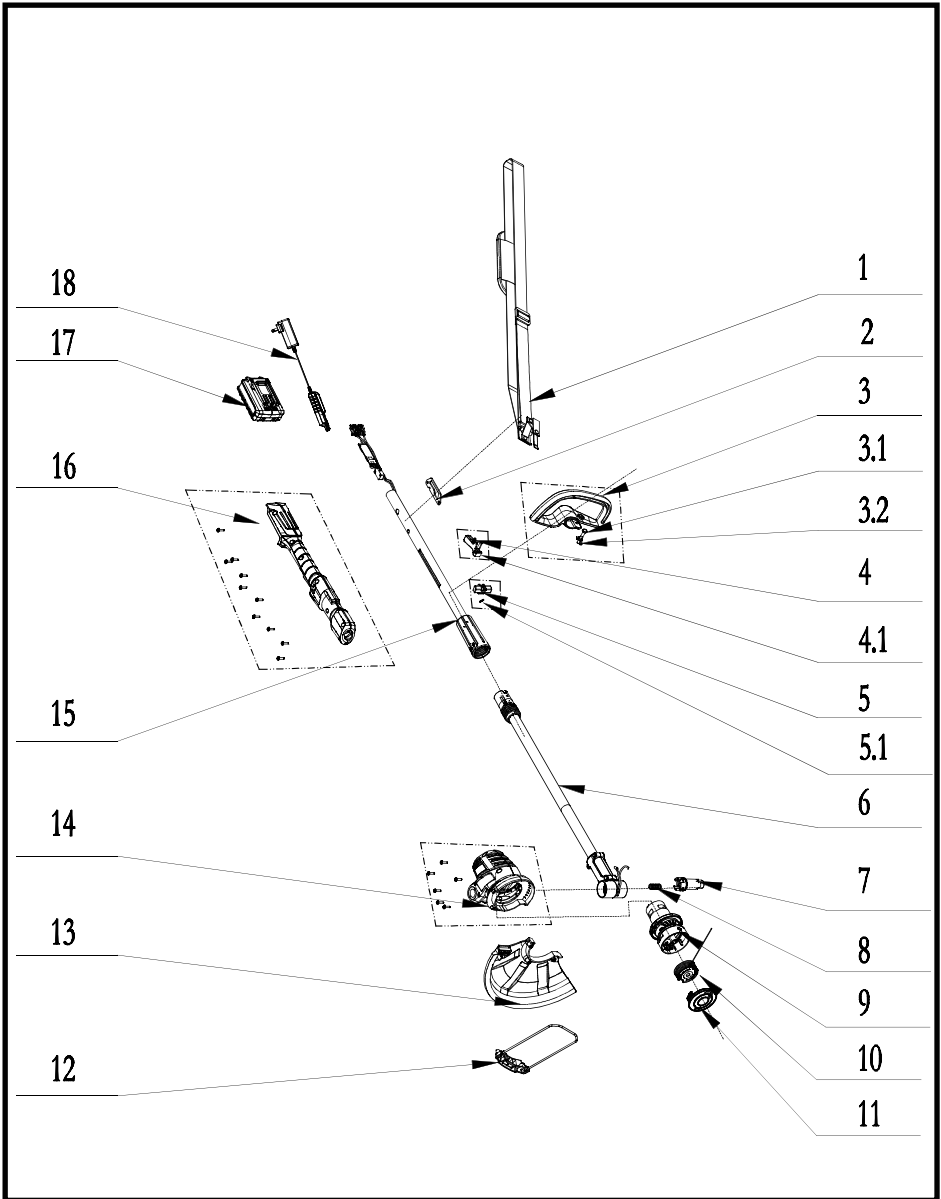
Transportation Charges :

Transportation charges for the movement of any power equipment unit or attachment are the responsibility of the purchaser. It is the purchaser's responsibility to pay transportation charges for any part submitted for replacement under this warranty unless such return is requested in writing by LawnMaster.

SAVE YOUR RECEIPTS. THIS WARRANTY IS VOID WITHOUT THEM.

EXPLODED VIEW

CLGT2412 EXPLODED VIEW



PARTS LIST

CLGT2412 PARTS LIST

NO.	PART NO.	PART DESCRIPTION	QTY
1	GE70DC.00.16	Shoulder Strap	1
2	GE95DC.10.03	Shoulder Strap Connector Point	1
3	GE01BC.60.01.X1.01	Assistant Handle Assy	1
3.1	BOA4WL.06.33	Bolt	1
3.2	BOB1DX.06.BZ	Wing Nut	1
4	GE95DC.10.02.X1.01	Switch Button Assy	1
4.1	TOTHYY.03.04	Spring for Switch Button	1
5	GE95DC.10.01.X1.01	Button Assy	1
5.1	TOTHYY.03.04	Spring For Button	1
6	GE95DC.10.50.X1.01	Lower Tube Assy	1
7	GE61DC.00.05	Rotate Housing	1
8	TOTHYY.03.12	Spring for Pivot Button	1
9	TMDC80.11.00.X1.01	Motor Assy	1
10	GE95DC.20.50	Spool (after marker part # RS0303)	1
11	GE95DC.20.32	Spool Cover	1
12	GE60DC.40.01.X1.02	Steel Flower Guard	1
13	GE95DC.30.00	Safety Guard	1
14	GE75DC.00.01.X1.01	Motor Housing (left&right)	1
15	GE95DC.10.42.X1.01	Upper Tube Assy	1
16	GE95DC.10.10.X1.01	Handle Assy	1
17	FO2214.11.00	Battery (part # 24LB2004)	1
18	FO1211.12.00	Battery Charger (part #'s 24LSC01-ETL or24LFC02-ETL)	1

