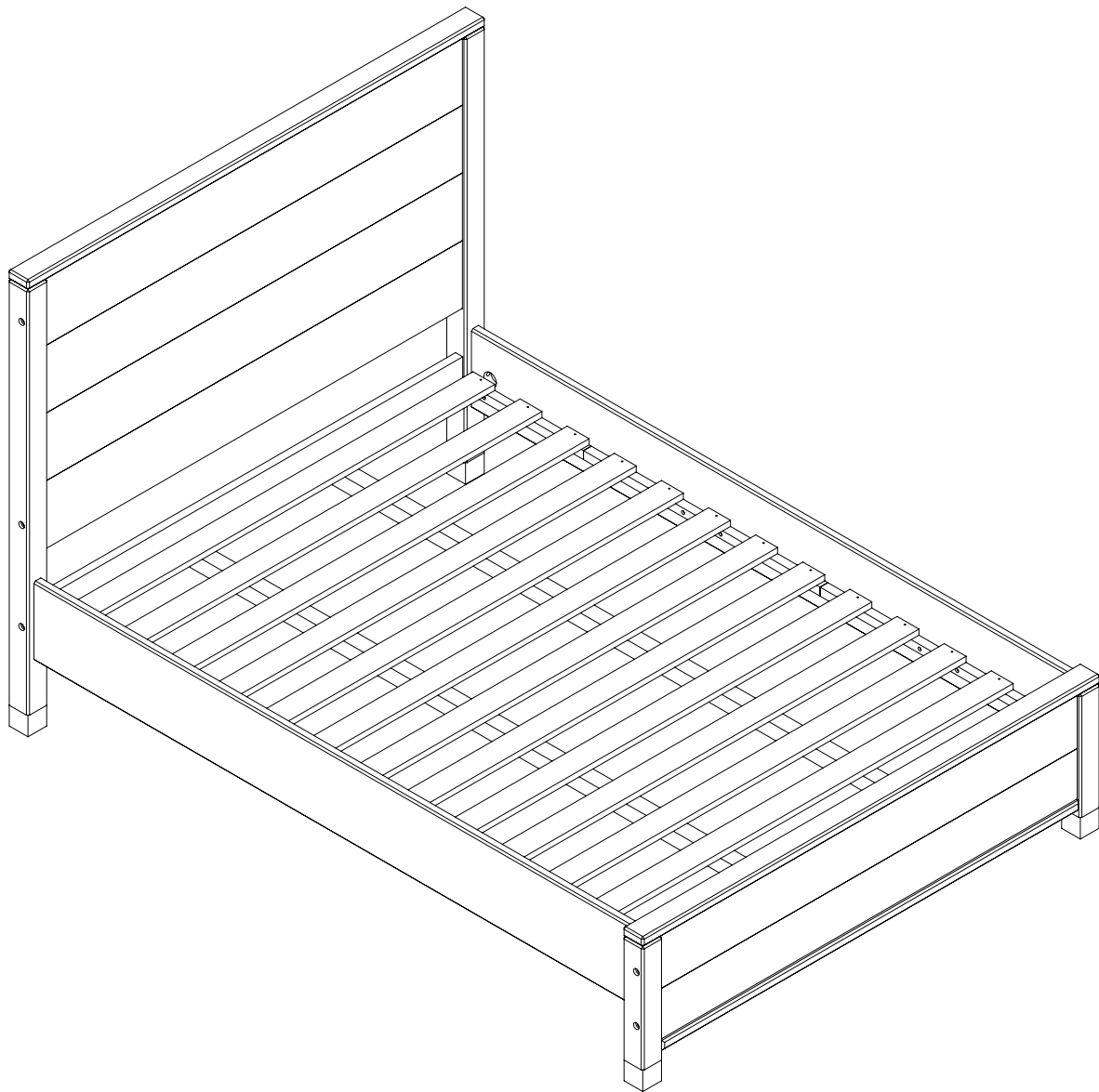


# Baja Platform Bed - Full Size

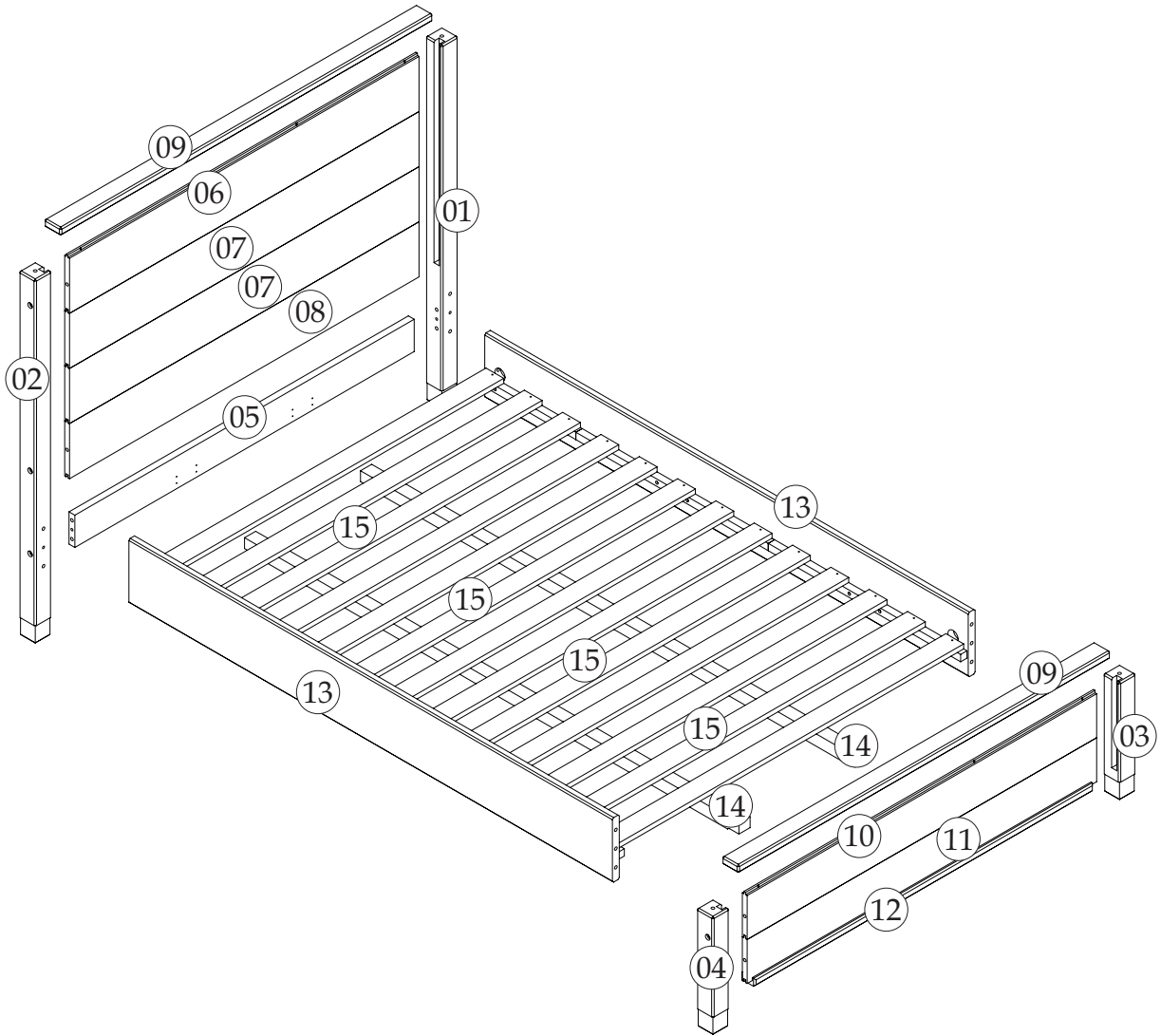





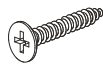
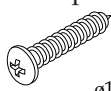
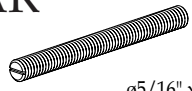
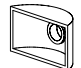
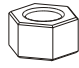


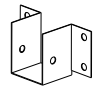
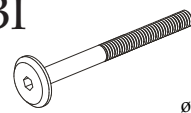
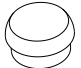
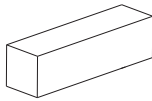
## ATTENTION

- 1 - Read and observe carefully all the assembly instructions before beginning assembly.
- 2 - The assembly of the product must be done on a clean and flat surface. We suggest to use the packaging to cover the floor to avoid damages.
- 3 - The screws must be tightened periodically.
- 4 - Avoid contact with sharp objects.
- 5 - Avoid banging pieces together.

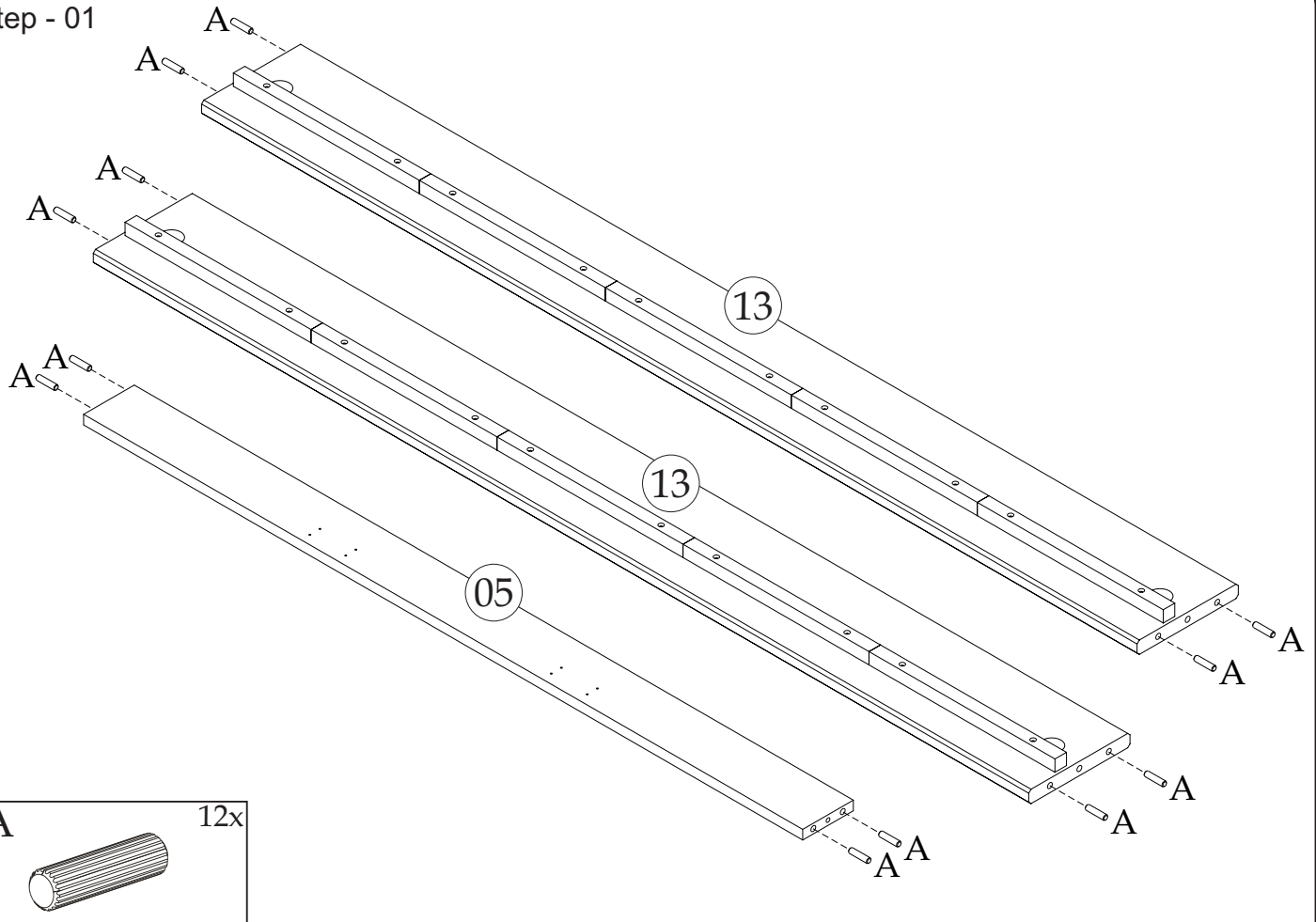


Parts and hardware list for assembly.  
Please confirm all parts available before assembly.

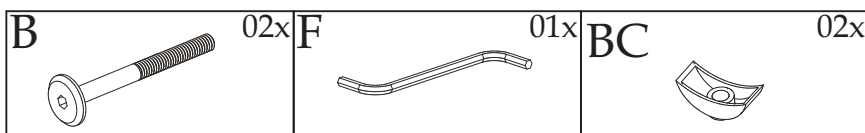
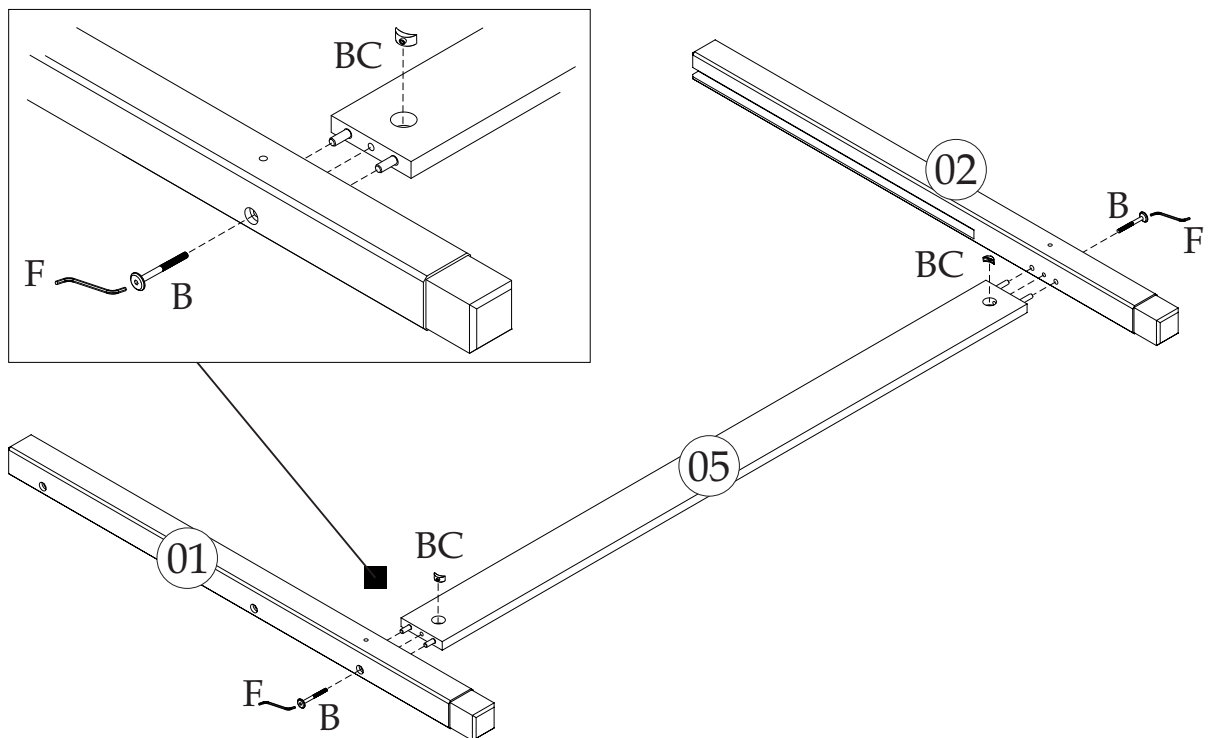


<b>A</b> +2x spare 16x  $\varnothing 3/8" \times 1 9/16"$	<b>B</b> +1x spare 10x  $\varnothing 1/4" \times 4 1/4"$	<b>F</b> +1x spare 01x  $1/4" \times 4 1/4"$	<b>Z</b> +2x spare 24x  $\varnothing 1/8" \times 5/8"$
<b>AP</b> +2x spare 38x  $\varnothing 1/8" \times 1 3/8"$	<b>AR</b> 02x  $\varnothing 5/16" \times 3 1/2"$	<b>AS</b> 02x  $1/2" \times 1 1/4"$	<b>AT</b> +1x spare 02x  $\varnothing 5/16"$
<b>AU</b> 01x  $1/2"$	<b>BC</b> +1x spare 12x  $1/4"$	<b>BF</b> 04x 	<b>BI</b> 02x  $\varnothing 1/4" \times 5"$
<b>BJ</b> +2x spare 10x  $\varnothing 3/4"$	<b>BV</b> 02x  $3 1/8"$		

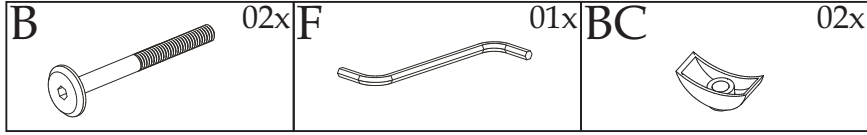
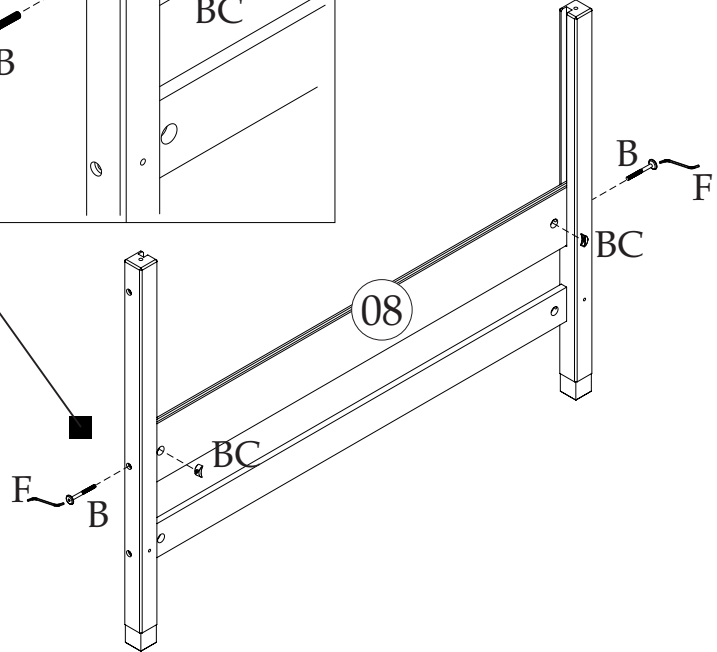
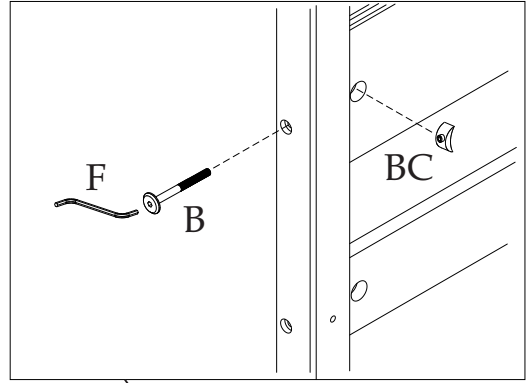
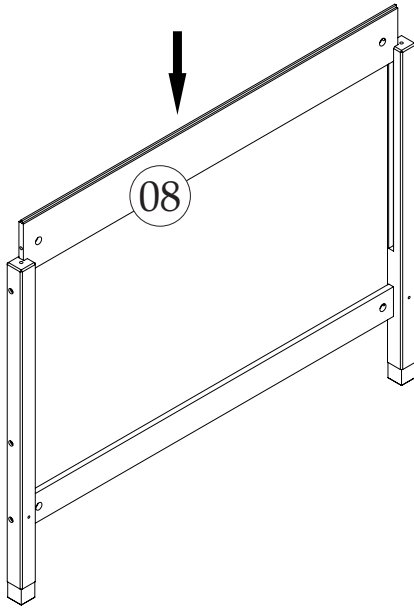
Step - 01



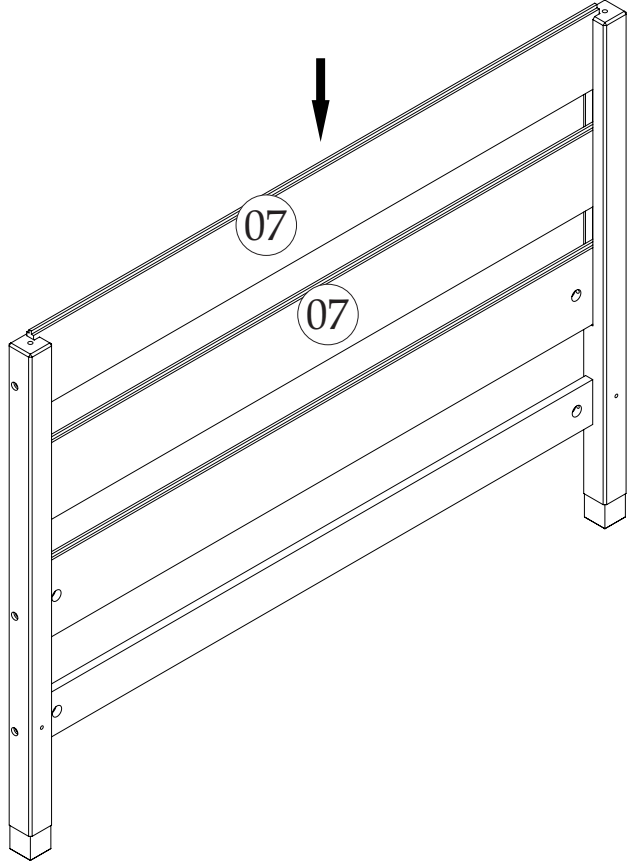
Step - 02



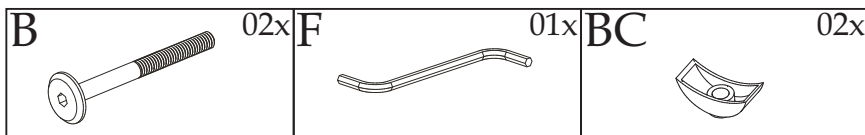
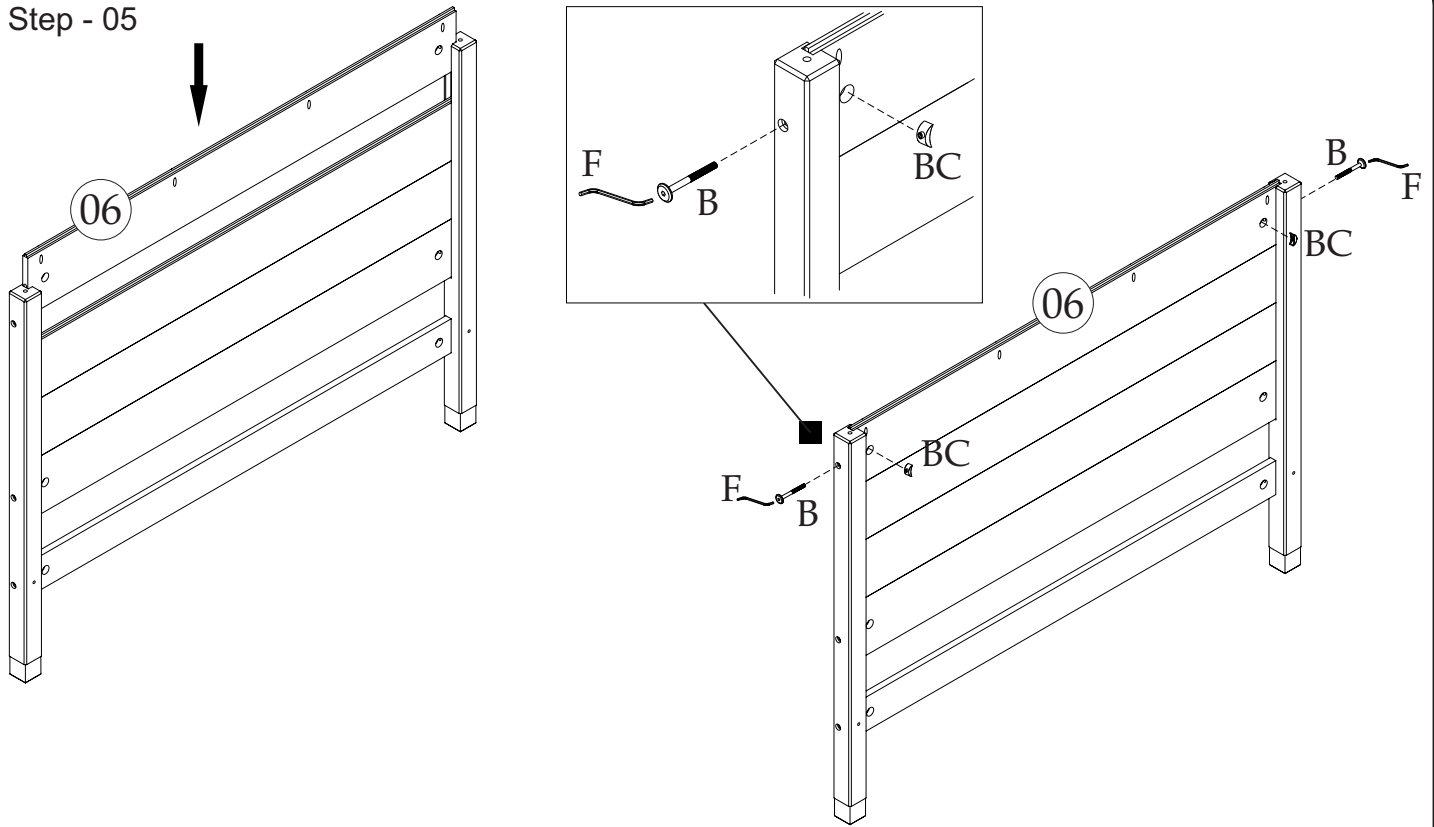
Step - 03



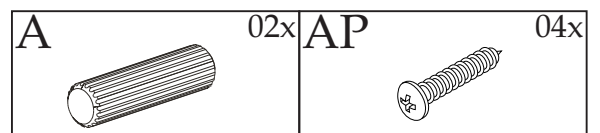
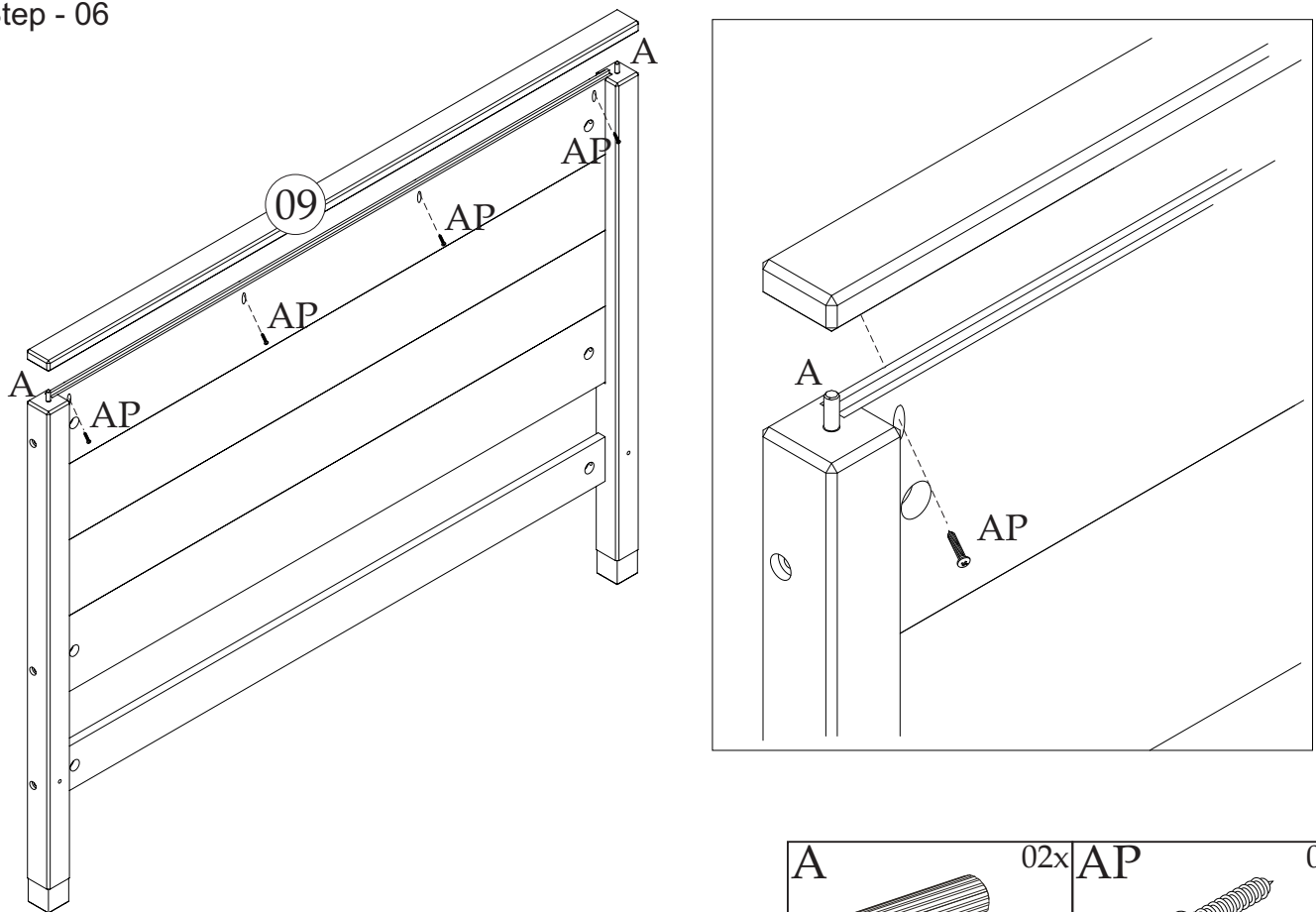
Step - 04



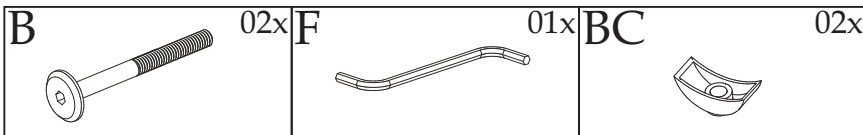
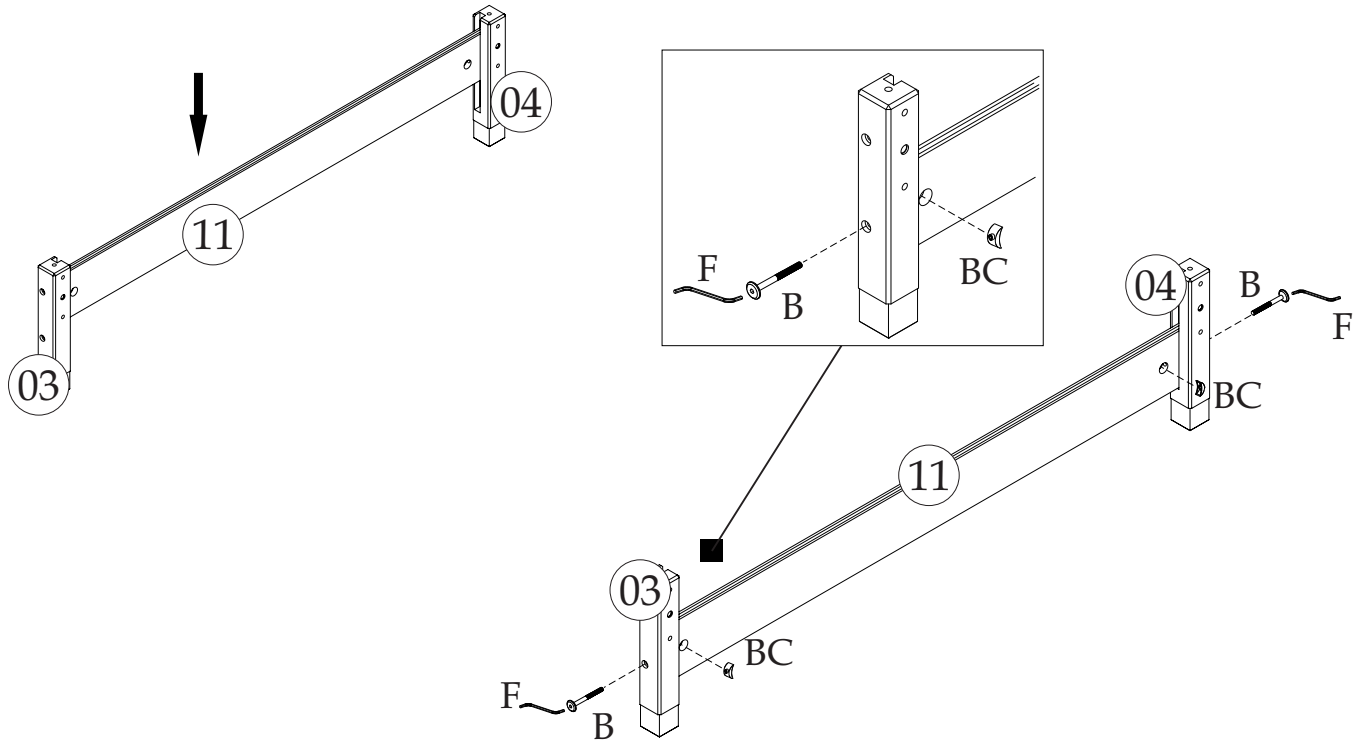
Step - 05



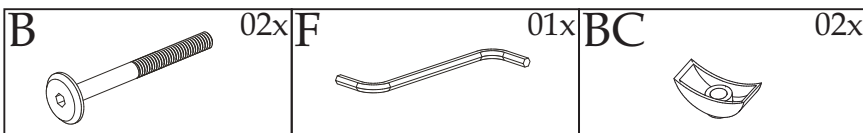
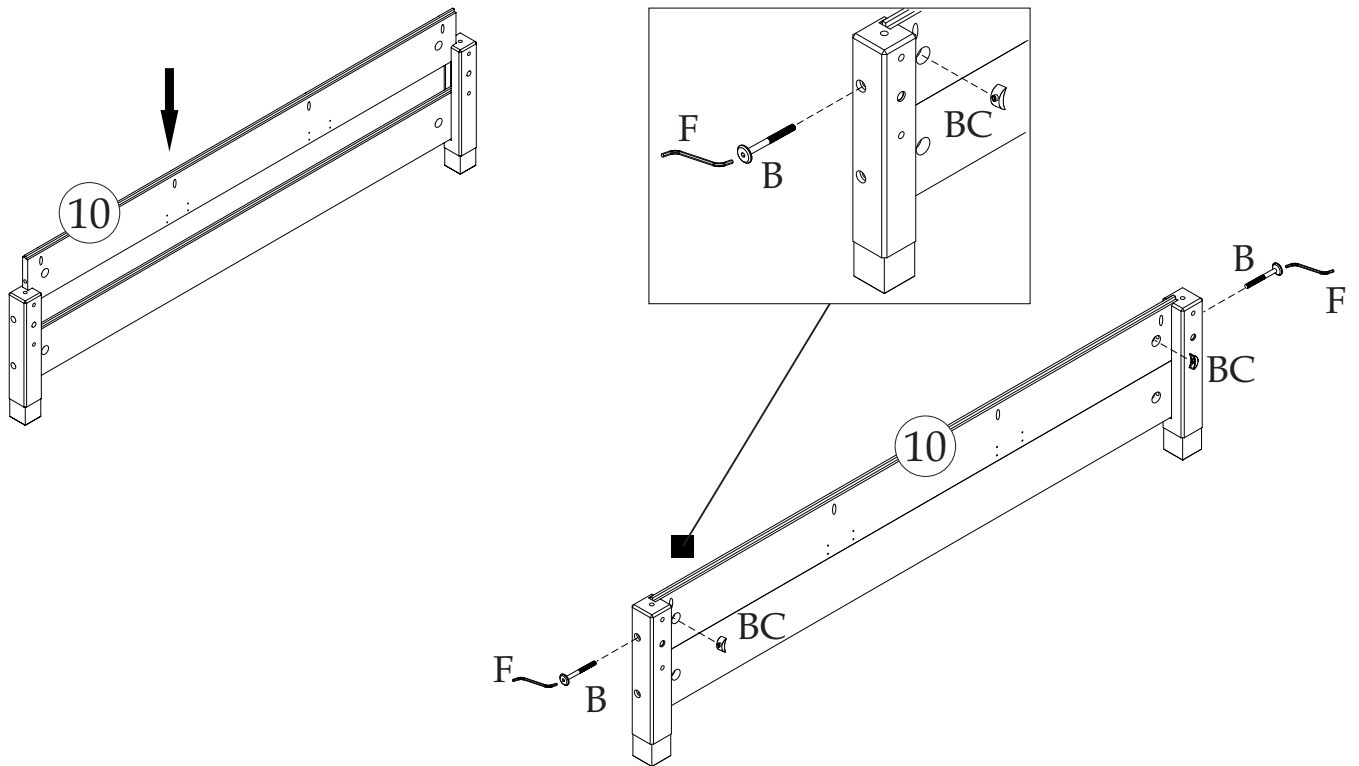
Step - 06



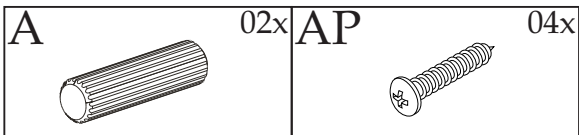
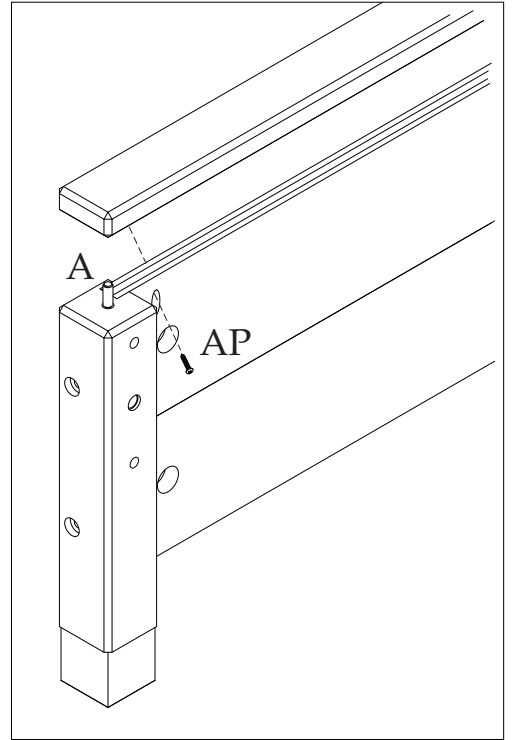
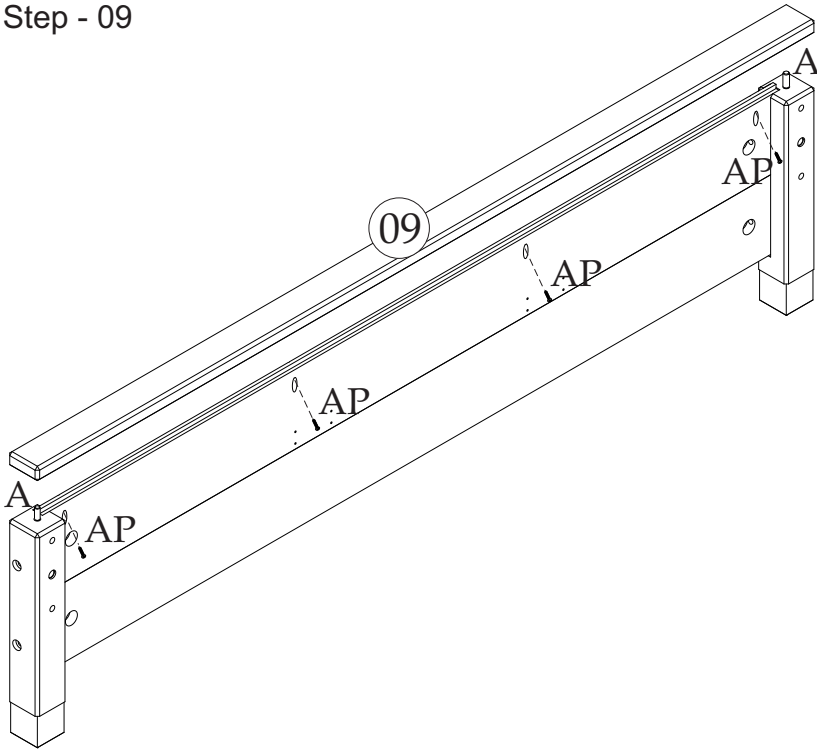
Step - 07



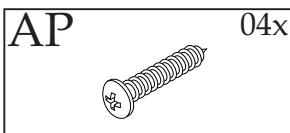
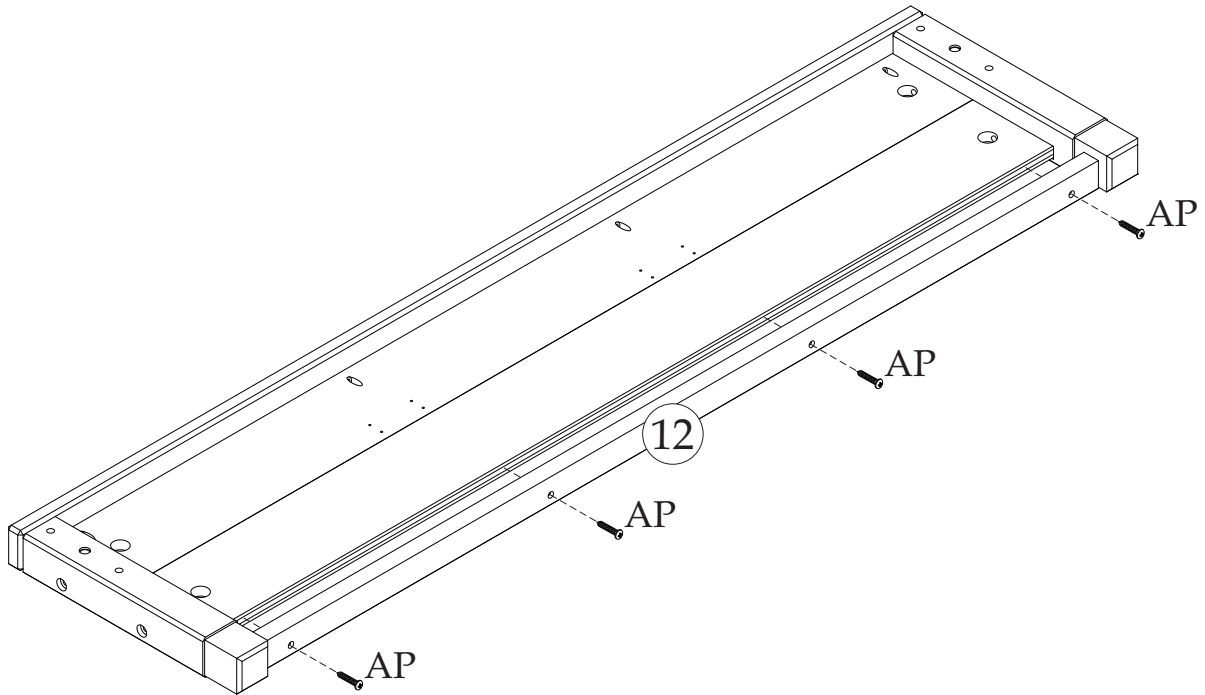
Step - 08



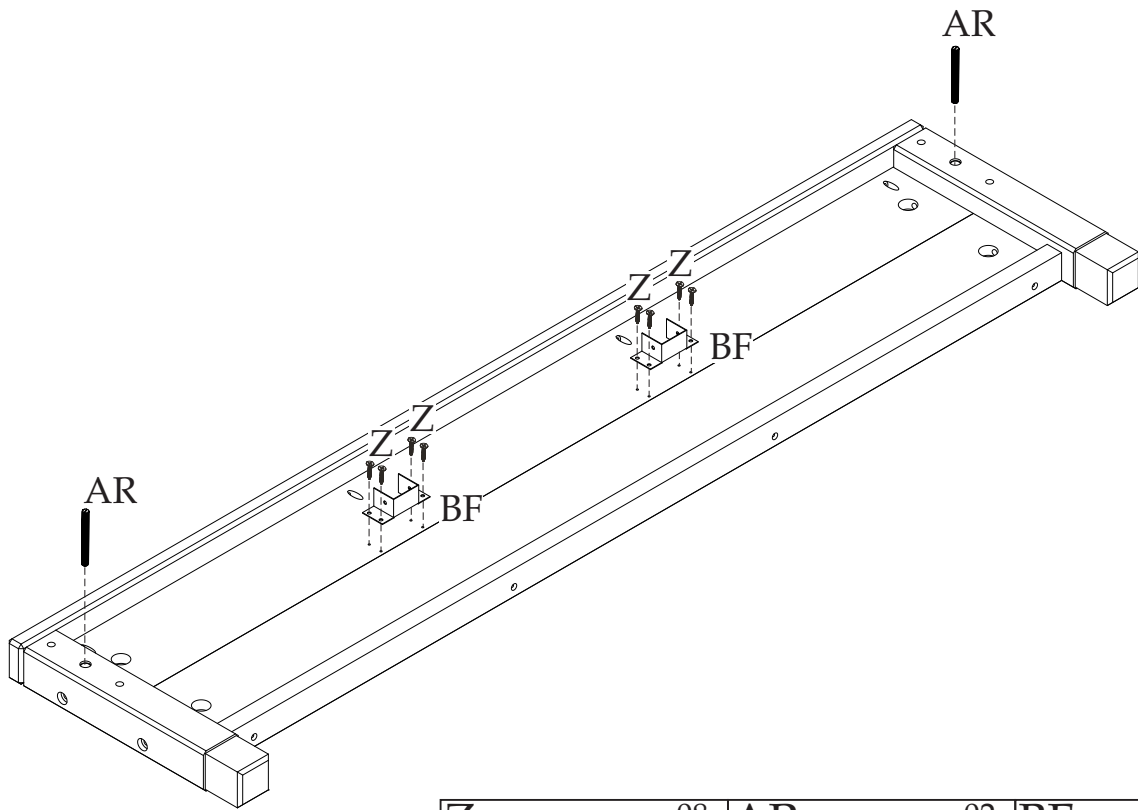
Step - 09

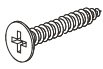
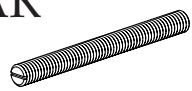
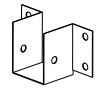


Step - 10

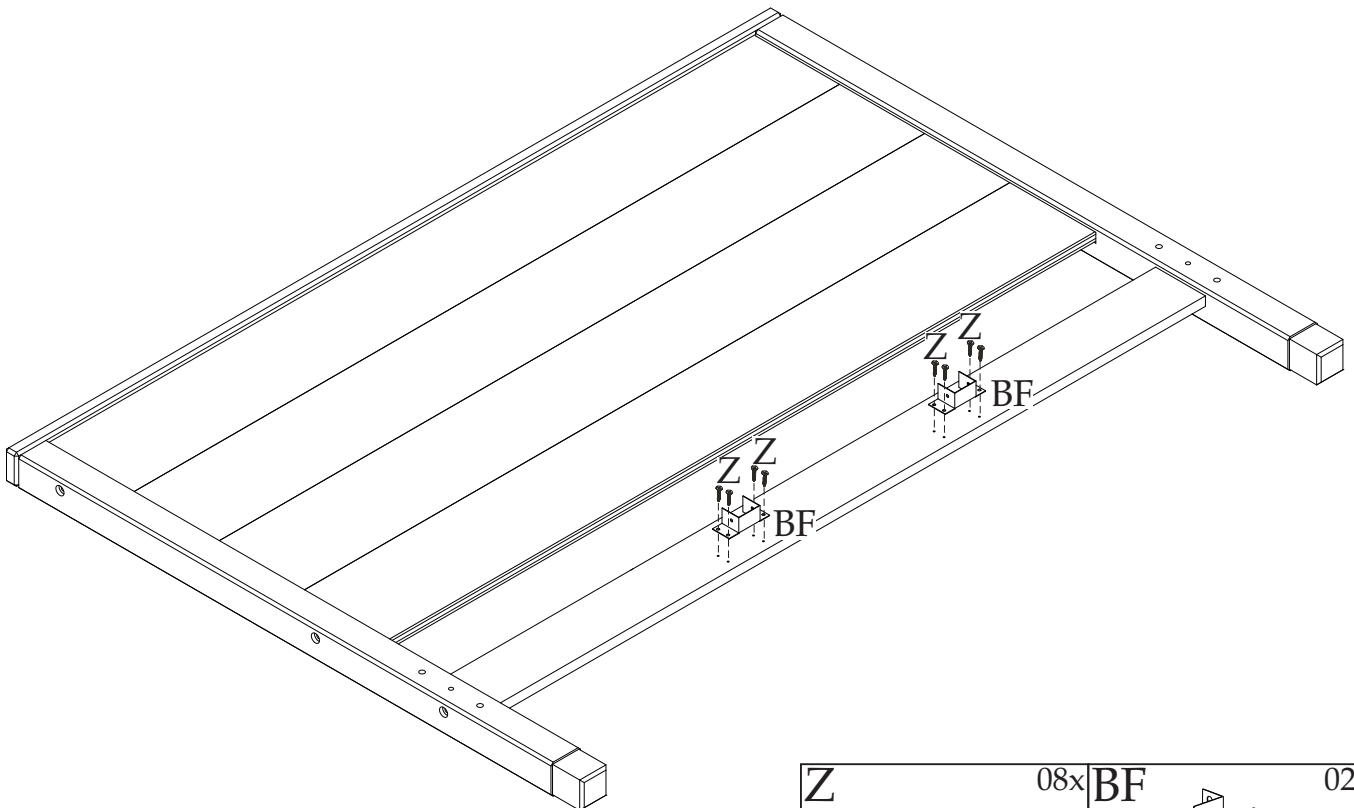


Step - 11



Z	08x	AR	02x	BF	02x
					

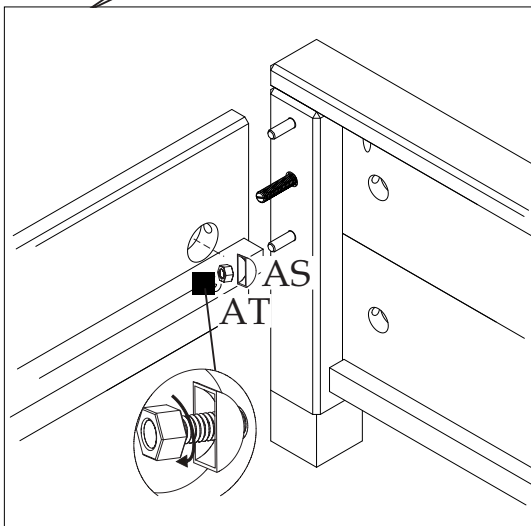
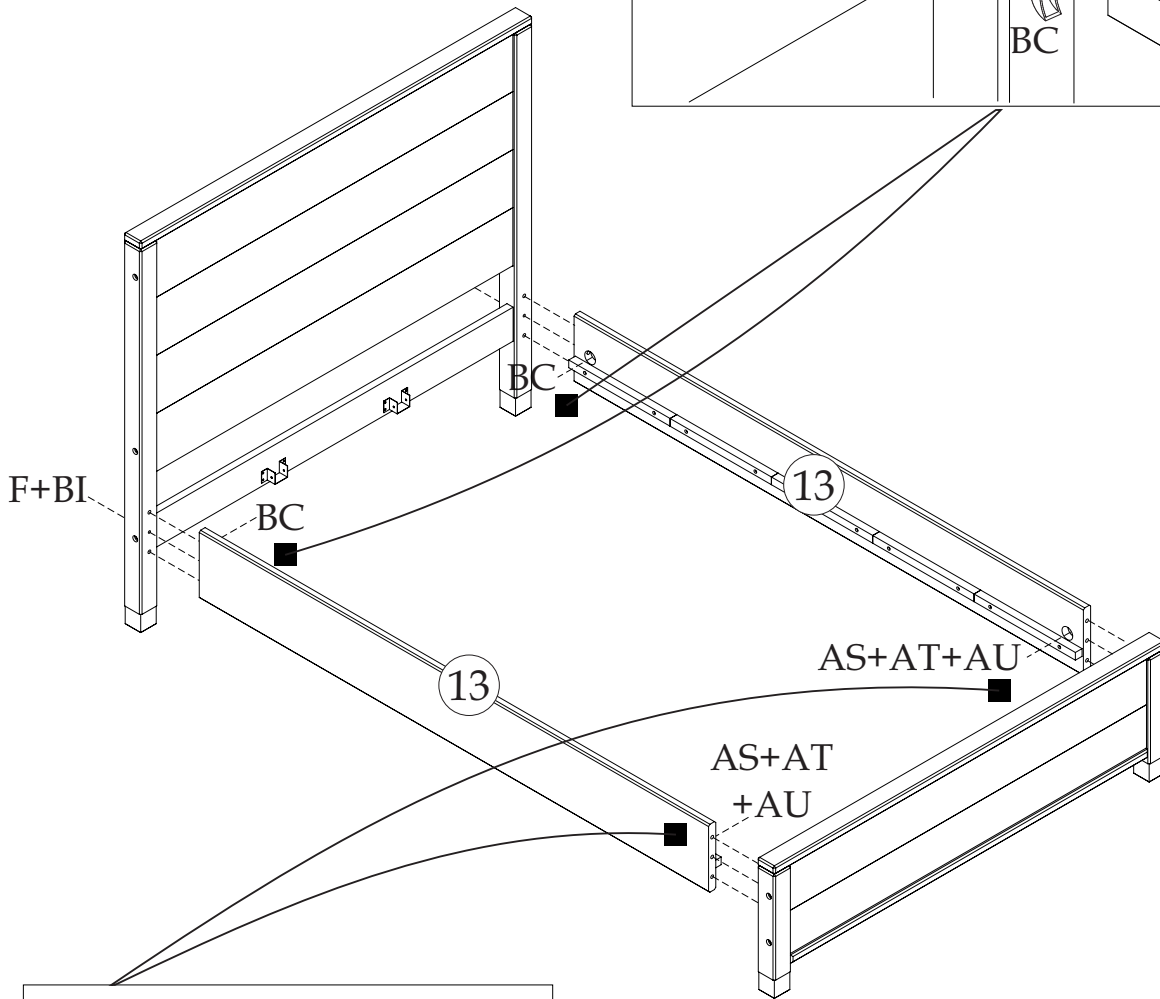
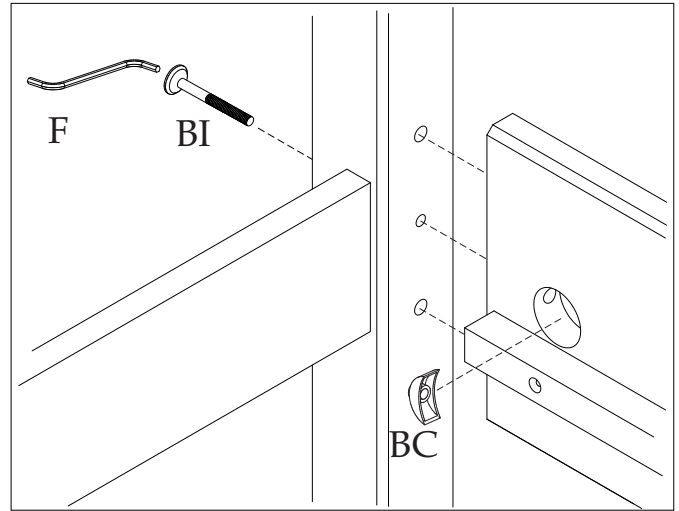
Step - 12



Z	08x	BF	02x
			

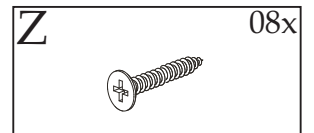
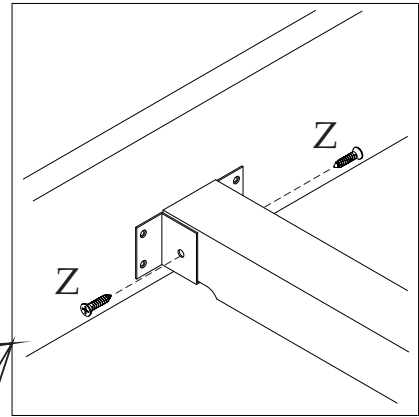
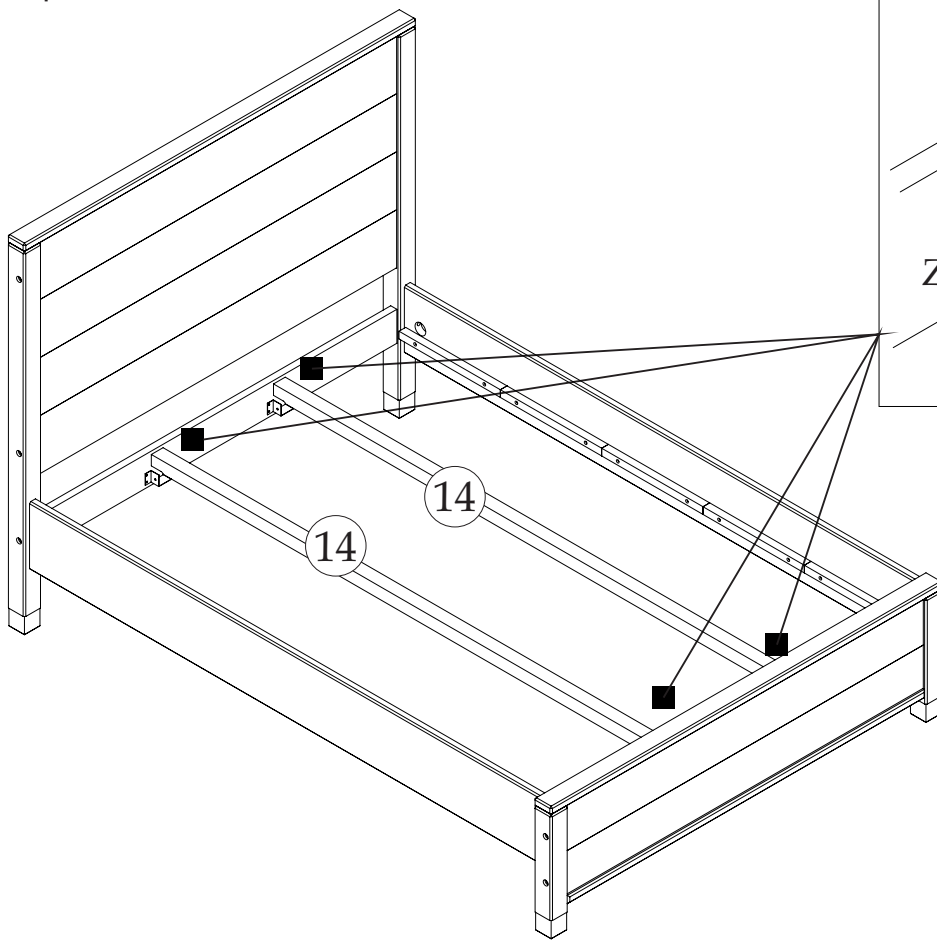


Step - 13

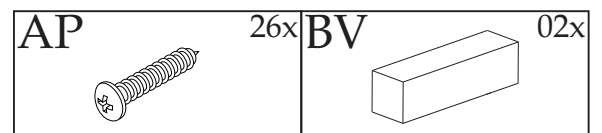
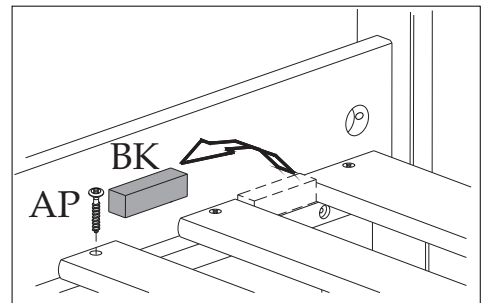
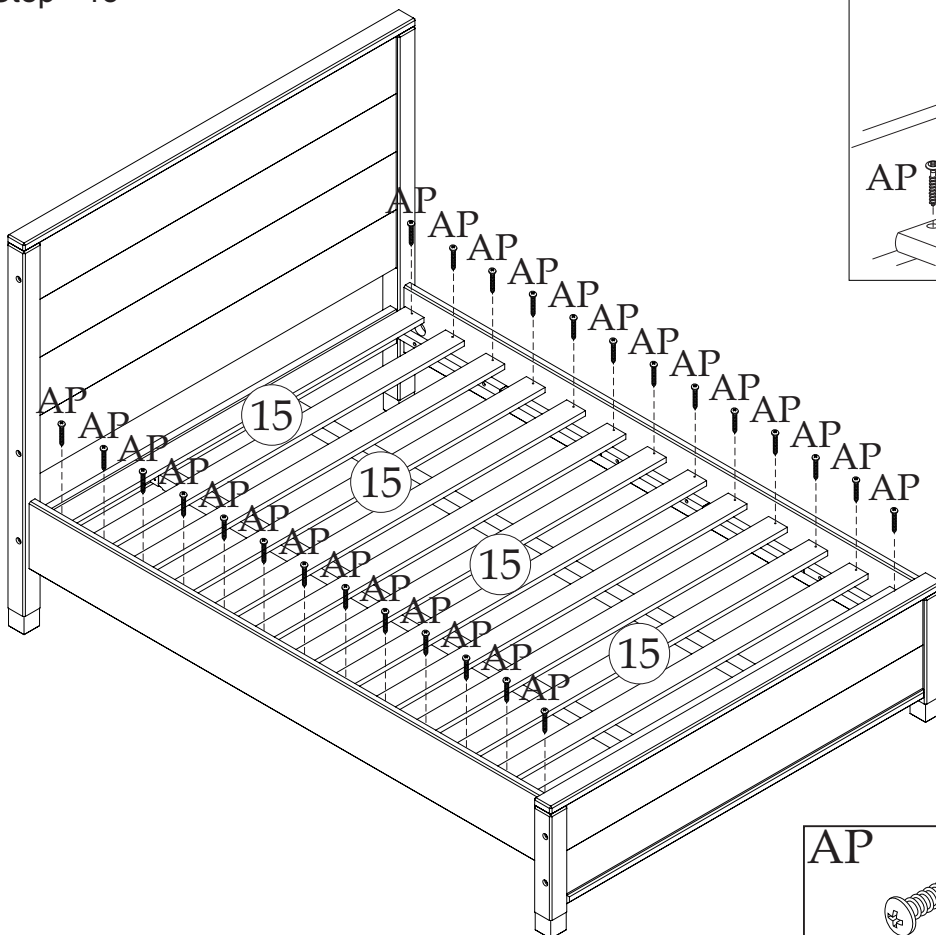


F	01x	AS	02x
AT	02x	AU	01x
BC	02x	BI	02x

Step - 14



Step - 15



Step - 16

