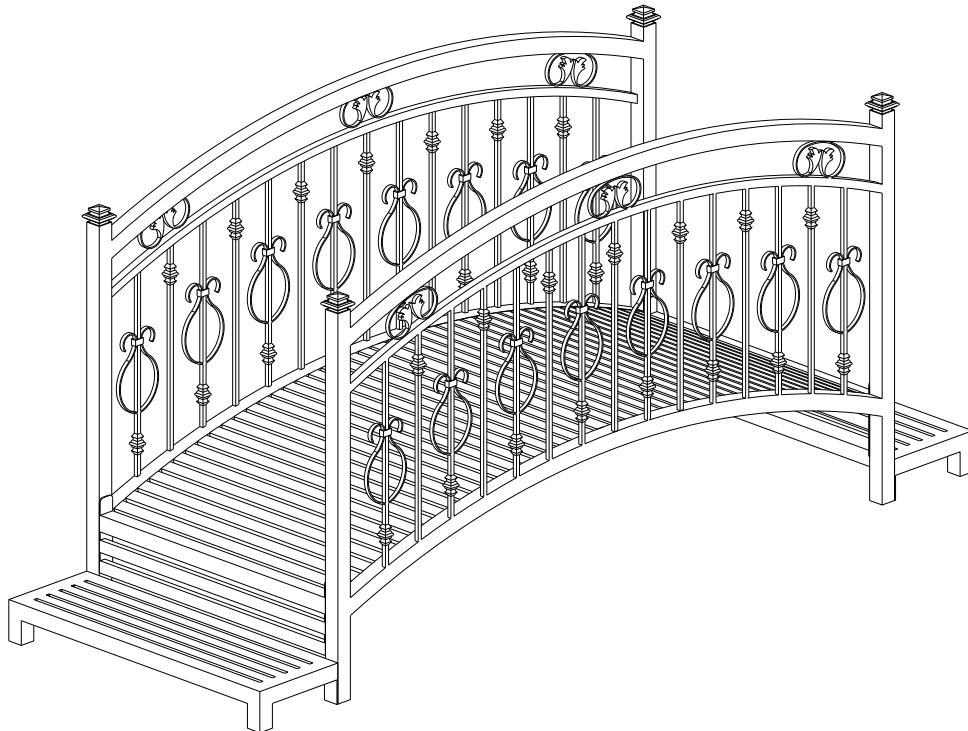


# ITEM# D-BG001PST

## Assembly Instructions



### **WARNING:**

Repeated assembly can weaken the locking ability of the hardware. Periodically check all bolted connections on your product to make sure they are tight and secure. Keep these instructions for future reference.

Some parts may contain sharp edges. Wear protective gloves as necessary.

This unit is heavy. **DO NOT** assemble it alone. 2 adults should be needed for safe assembly.



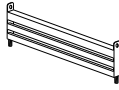

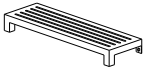
This unit can be used both as a decorative and functional item, it does **NOT** accommodate any vehicles.

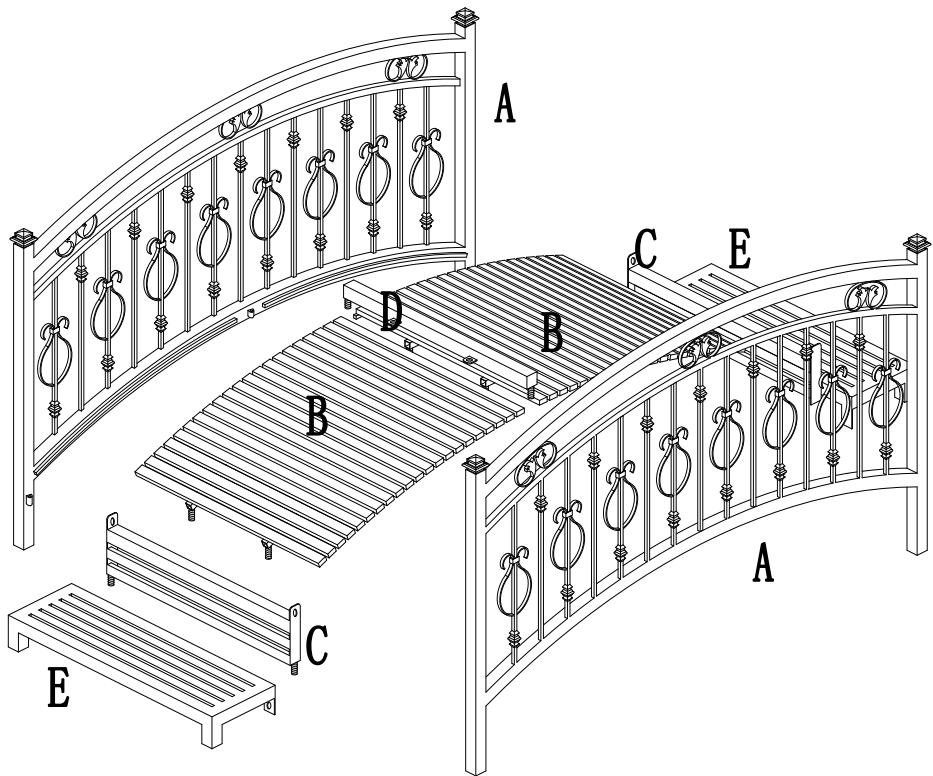
Set it up on the level ground.

### **IMPORTANT**

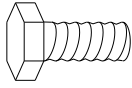

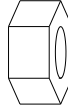

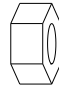

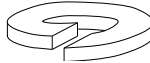
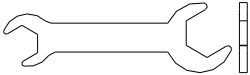
Please do not return this product to the store. For technical assistance or replacement parts call Sunjoy from 8:30 AM to 5:30 PM Eastern Time at 1-866-578-6569 or send email to [customer.care@sunjoydirect.com](mailto:customer.care@sunjoydirect.com).

# Parts List

bridge railing	A	2	
bridge top	B	2	
side panel	C	2	
support beam	D	1	
step	E	2	

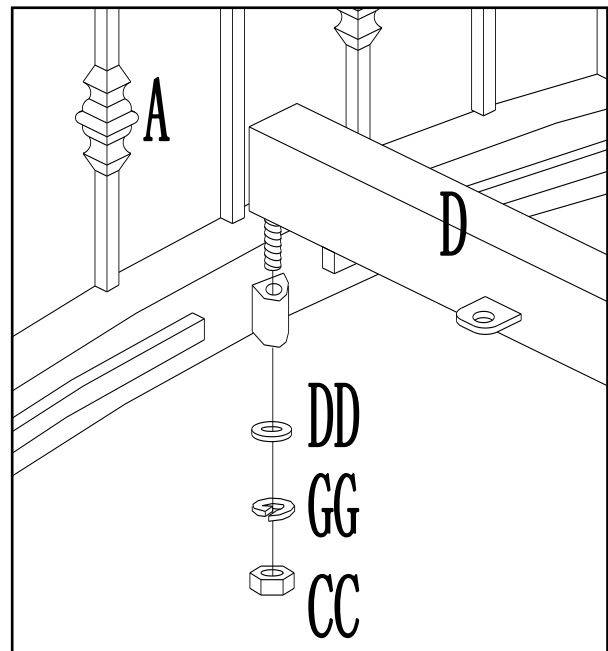


## Hardware List

M8X20MM bolt TBZ00108020SS	AA	8 PCS	
M8 flat washer TBZ10808SS	BB	16PCS	
M10 nut TBZ20110SS	CC	6 PCS	
M10 flat washer TBZ10810SS	DD	6 PCS	
M8 nut TBZ20108SS	EE	8 PCS	
M8 spring washer TBZ10508SS	FF	12 PCS	
M10 spring washer TBZ10510SS	GG	2 PCS	
M8、M10 wrnch	Z	1 PC	

**Fig. 1**

Fig.1: Attach support beam (D) onto bridge railings (A), then connect with flat washer (DD), spring washer (GG) and nut (CC), but do not tighten them at this step.



**Fig. 2**

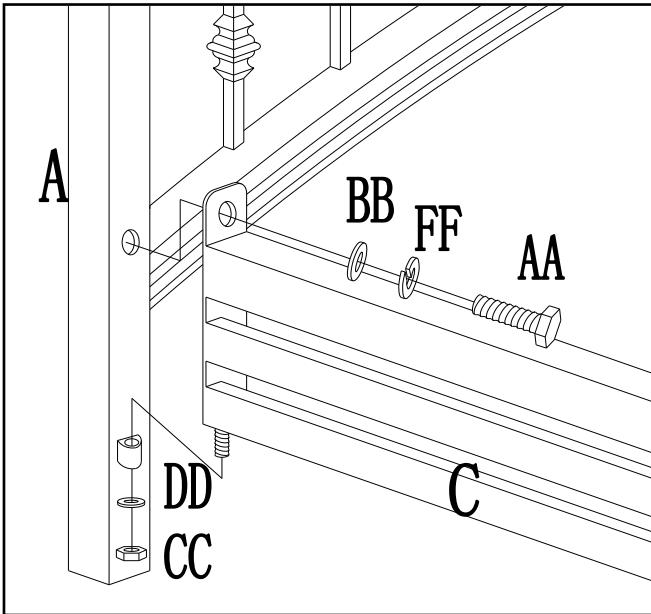
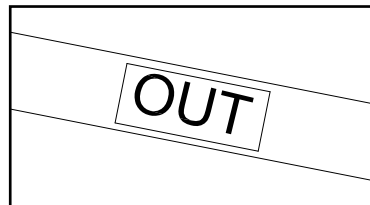
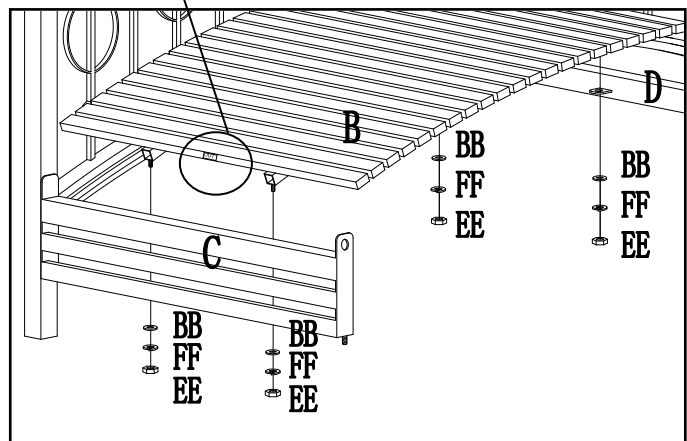


Fig.2: Attach side panel (C) onto bridge railings (A), then lock the lower part of side panel (C) with flat washer (CC) and nut (DD), then lock side panel (C) onto bridge railings (A) with bolt (AA), spring washer (FF) and flat washer (BB), but do not tighten them at this step.

Fig.3: Connect bridge top (B) with support beam (D) and side panel (C) (the end marked with "out" point to side panel (C)) by using flat washer (BB), spring washer (FF) and nut (EE), but do not tighten them at this step.



**Fig. 3**



**Fig. 4**

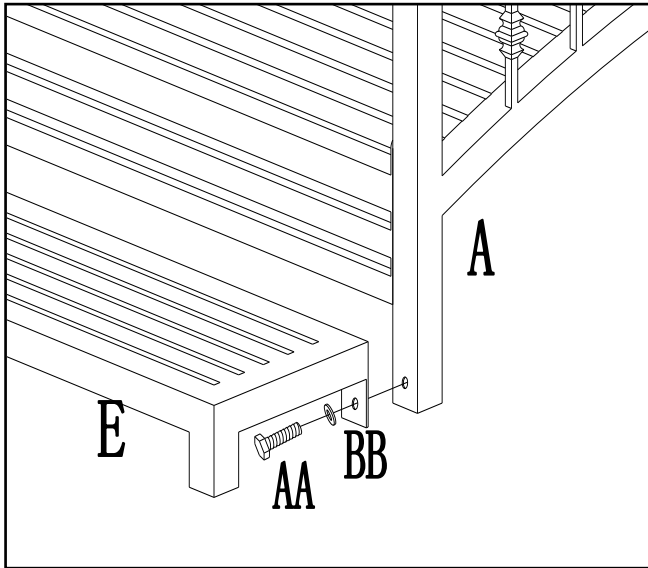


Fig.4: Lock step (E) onto bridge railings (A) with bolt (AA) and flat washer (BB), then tighten all the bolts and nuts with wrench.

Now, the garden bridge is ready to use.

**Limited Warranty:**

This limited warranty is extended to the original purchaser and applies to defects in materials and workmanship of your item provided the item is maintained with care and used only for personal, residential purposes. The item is warranted to be free from defects in material or workmanship for a period of six (6) months. We don't reimburse for transportation or delivery costs, or compensate the individual or any outside party for assembling or disassembling the product.

**Exclusions:**

Items used for commercial, contract, or other non-residential purposes, or items damaged due to acts of nature, vandalism, misuse, or improper assembly are not covered. Corrosion or rusting of hardware is not covered. Proof of purchase (dated register receipt) is required for warranty claims. Warranty is to the original purchaser and is non-transferable. Any replacement of warranted items will be in the original style and color, or a similar style and color if the original is unavailable or has been discontinued. As some states do not allow exclusions or limitations on an implied warranty, the above exclusions and limitations may not apply. This warranty gives you specific rights, and you may also have other rights, which vary from state to state.

**Maintenance:**

Our iron/steel components for garden accessories and patio items are coated with rust inhibiting paint that protects it from rusting. However, due to the nature of iron, surface oxidation (rusting) will occur once these protective coatings are scratched. This is a natural process and is not a defect! To minimize this condition, we recommend care when assembling & handling the product to prevent scratching the paint. Should any

scratching or damage occur, we recommend immediate touch-up with rust inhibiting paint. Surface rust can also be easily removed with a very light application of common cooking oil. If surface oxidation (rusting) occurs and if no measure is taken to prevent this, the oxidation may start dripping on to deck or patio and cause damaging stains, which may be difficult to remove. This can be prevented if measure is taken to keep the product from oxidizing.

**Important:**

For technical assistance on assembly or replacement parts. In the continental U.S., you can call us toll-free at 1-866-578-6569 from 8 a.m. to 5 p.m. CST Monday – Friday. In the continental Canada, you can call us toll-free at 1-844-SUNJOY1 (1-844-786-5691) from 8 a.m. to 5 p.m. CST Monday – Friday. You can fax the replacement part form which is in the box to (740)-283-3549 .You can also send us an email to [customer.care@sunjoydirect.com](mailto:customer.care@sunjoydirect.com).The manufacturer reserves the right to repair or replace the defective product, at its discretion.

The product is guaranteed if used for normal trade purposes. Any warranty is invalid if the product has been overloaded or subject to neglect, improper use or an attempted repair other than by an authorized agent. Heavy-duty or daily professional/commercial usage are not guaranteed. Due to continuous product improvement, we reserve the right to change the product specifications without prior notice.

Made in China