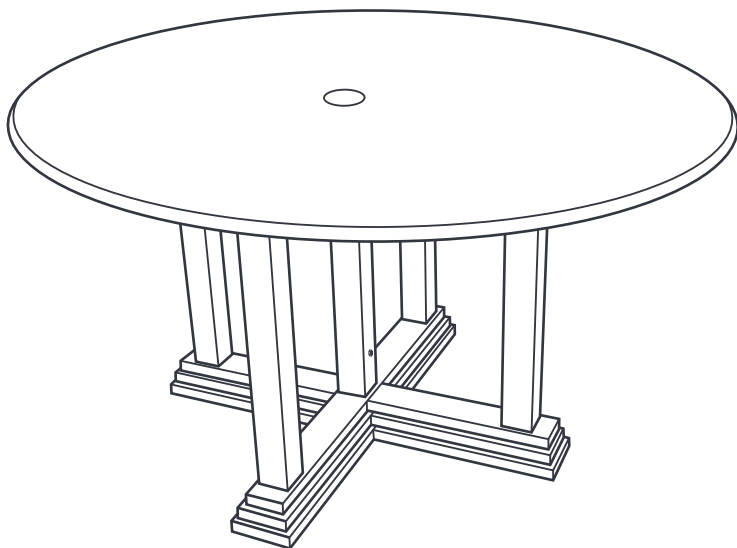


SAYLOR

DINING TABLE

ASSEMBLY INSTRUCTIONS




BLUE OAK™

BEFORE YOU BEGIN: **YOU ALREADY KNOW THIS, BUT** **IT'S BEST TO READ ALL THE** **INSTRUCTIONS BEFORE** **ASSEMBLY. FAILURE TO DO SO** **MAY RESULT IN FAULTY** **ASSEMBLY AND POTENTIAL** **INJURY (NO ONE WANTS THAT** **KIND OF STAIN ON THEIR PARTY** **HOSTING RECORD).**


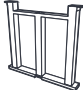
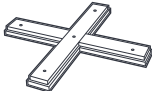


Assemble your Blue Oak™ outdoor furniture on a soft, non-abrasive surface such as a carpet or cardboard to avoid damaging the item. Seek assistance to assemble bulky or heavy items (there's no "i" in "team"). After final alignment, make sure all the bolts are securely tightened with hex caps pressed in place.

If you have issues, challenges or annoyances with this product, give us a call at 1-888-444-0367.


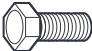




We're available from 8am-5pm (EST)

Monday-Thursday and 8am-4pm (EST) on Friday.

PARTS

NO.	DESCRIPTION		QTY
A	Table Leg		1
B	Leg Connector		1
C	Table Base		1
D	Table Top		1
E	Umbrella Cap		1

HARDWARE

NO.	DESCRIPTION		QTY
AA	M8x70 Bolt		5
BB	M8x20 Bolt		4
CC	Lock Washer		9
DD	M8 Washer		9
EE	Bolt Head Cap		9
FF	Wrench		1

ASSEMBLY INSTRUCTIONS

TAKE A DEEP BREATH AND KEEP A CLEAR SPOT NEARBY WHERE YOU CAN PLACE THE SMALL PIECES.

Note: There are two sizes of hex bolts. Make sure you're using the type specified in each step. Do not fully tighten the bolts until you've completed the assembly and checked to see if the alignment is correct.

STEP 1

See Figure 1. Place leg connector (B) across and into table leg (A).

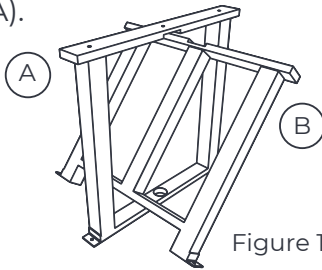


Figure 1

STEP 2

See Figure 2. Put the table base (C) above the leg and leg connector (A and B) and match up the holes in the table base (C) with those in the leg and leg connector (A and B). Use the wrench (FF) to attach the table leg and leg connector (A and B) to the table base (C) with 5 M8x70 bolts (AA), M8 washers (DD) and lock washers (CC).

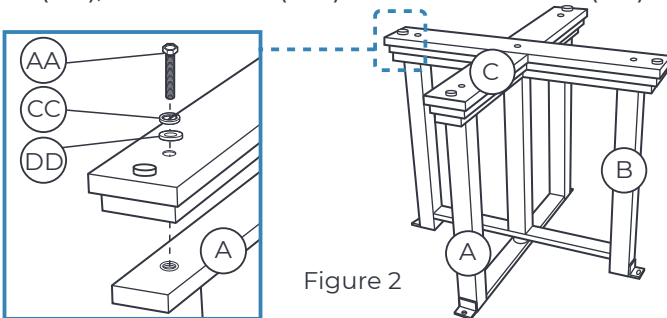


Figure 2

STEP 3

See Figure 3. Use the wrench (FF) to attach the assembled table base (A) to the table top (D) with 4 M8x20 bolts (BB), M8 washers (DD) and lock washers (CC).

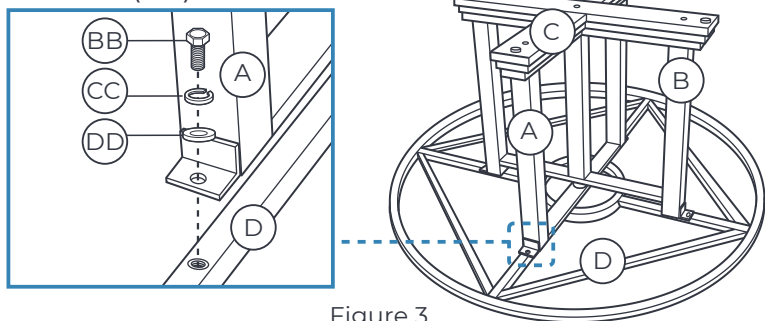


Figure 3

STEP 4

Fully tighten all bolts and apply the bolt head caps (EE) on to each bolt.

STEP 5

See Figure 4. Use the umbrella screw to tighten the umbrella if necessary. If the table is used without an umbrella, use the umbrella cap (E) to cover the umbrella hole.

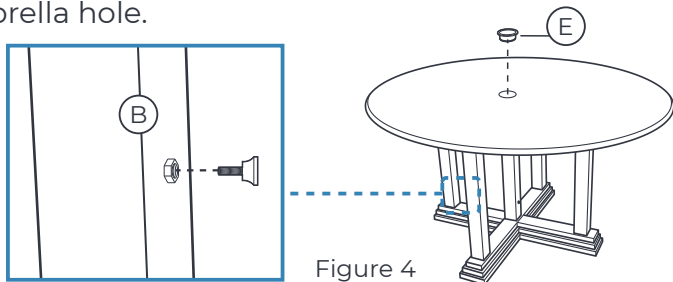


Figure 4

YOUR TABLE IS COMPLETE.

LIFE IS A PLAY AND YOU'VE JUST CREATED CENTER STAGE.

BLUEOAKOUTDOOR.COM