

## CLEANING

**BEFORE CLEANING OR SERVICING THE DEHYDRATOR, UNPLUG UNIT FROM POWER SOURCE. DO NOT PLACE ANY PARTS OF THE DEHYDRATOR IN THE DISHWASHER. WASH IN WARM SOAPY WATER AND DRY COMPLETELY PRIOR TO STORAGE.**

### Prior to first use and after each use:

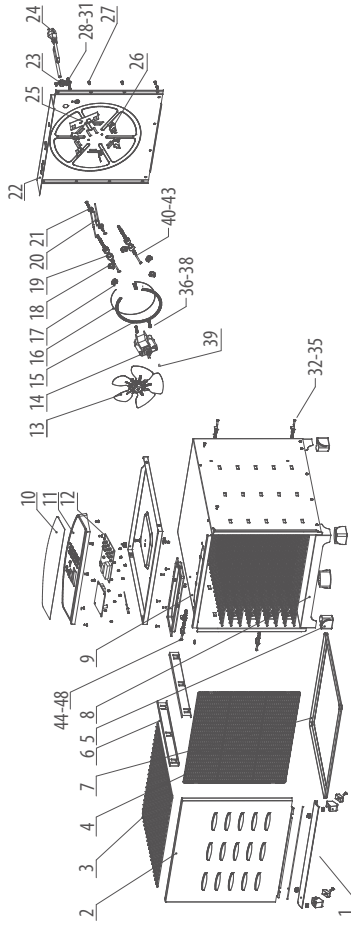
- Allow dehydrator to cool completely before cleaning.
- Remove the shelves and drip tray from the dehydrator and wash in warm soapy water. **DO NOT** soak trays.
- Wipe the door, interior and exterior of the dehydrator with a moist sponge or soft damp cloth. **DO NOT** use scouring pads or abrasive cleaners. Be careful to not splash water onto the heating element or other electrical parts in the rear of the dehydrator. **NEVER** immerse the dehydrator cabinet in water or other liquid.
- Trays are not dishwasher safe.
- Allow dehydrator to dry completely prior to storage.
- Keep in a cool dry place.

**THE THERMAL PROBE SHOULD NOT BE REMOVED. TO AVOID ELECTRICAL SHOCK THE PROBE MUST BE PROPERLY INSTALLED AT ALL TIMES. DO NOT ATTEMPT TO REMOVE, RELOCATE OR ALTER THE PROBE IN ANY WAY.**

## ! IMPORTANT SAFEGUARDS !

When using electrical appliances, basic safety precautions should always be followed. Read all instructions carefully and save these instructions for future reference.

## DEHYDRATOR FEATURES



Ref	Description	Qty
1	Door Handle w/ Magnets	1
2	Front Panel	1
3	Wire Shelves	10
4	Fan Guard	1
5	Rubber Feet	4
6	Wire Shelf Brackets	10
7	Drip Tray	1
8	Dehydrator Floor	1
9	Dehydrator Housing	1
10	Digital Panel Label	1
11	Digital Panel	1
12	Control PCB	1
13	Fan	1
14	Fan Motor	1
15	Heating Element	1
16	Fiber Wire	1
17	Heating Element Porcelain Insulators	6
18	Inner Porcelain Insulators	2
19	Outer Porcelain Insulators	2
20	Double Inline Fuse	1
21	Thermal Breaker Washer	1
22	Back Panel	1
23	Power Cord Clip	1
24	Power Cord	1

Ref	Description	Qty
25	Stand	1
26	Heating Element Stand	5
27	Back Panel Fixing Screw	12
28	Earthing Screw	1
29	Earthing Shock Proof Washer	1
30	Earthing Shock Proof Washer II	1
31	Earthing Bolt	1
32	Fan Guard Bolts	4
33	Fan Guard Nuts	4
34	Fan Guard Washers	4
35	Fan Guard Attachment Pieces	4
36	Fan Motor Bolts	2
37	Fan Motor Shock Proof Washers	2
38	Fan Motor Shock Proof Washers II	2
39	Fan Set Screws	1
40	Porcelain Insulator Bolts	2
41	Porcelain Insulator Washers I	10
42	Porcelain Insulator Washers II	4
43	Porcelain Insulator Nuts	4
44	Thermal Probe Bolt	1
45	Thermal Probe Clip	1
46	Thermal Probe Washer I	1
47	Thermal Probe Washer II	1
48	Thermal Probe Nut	1