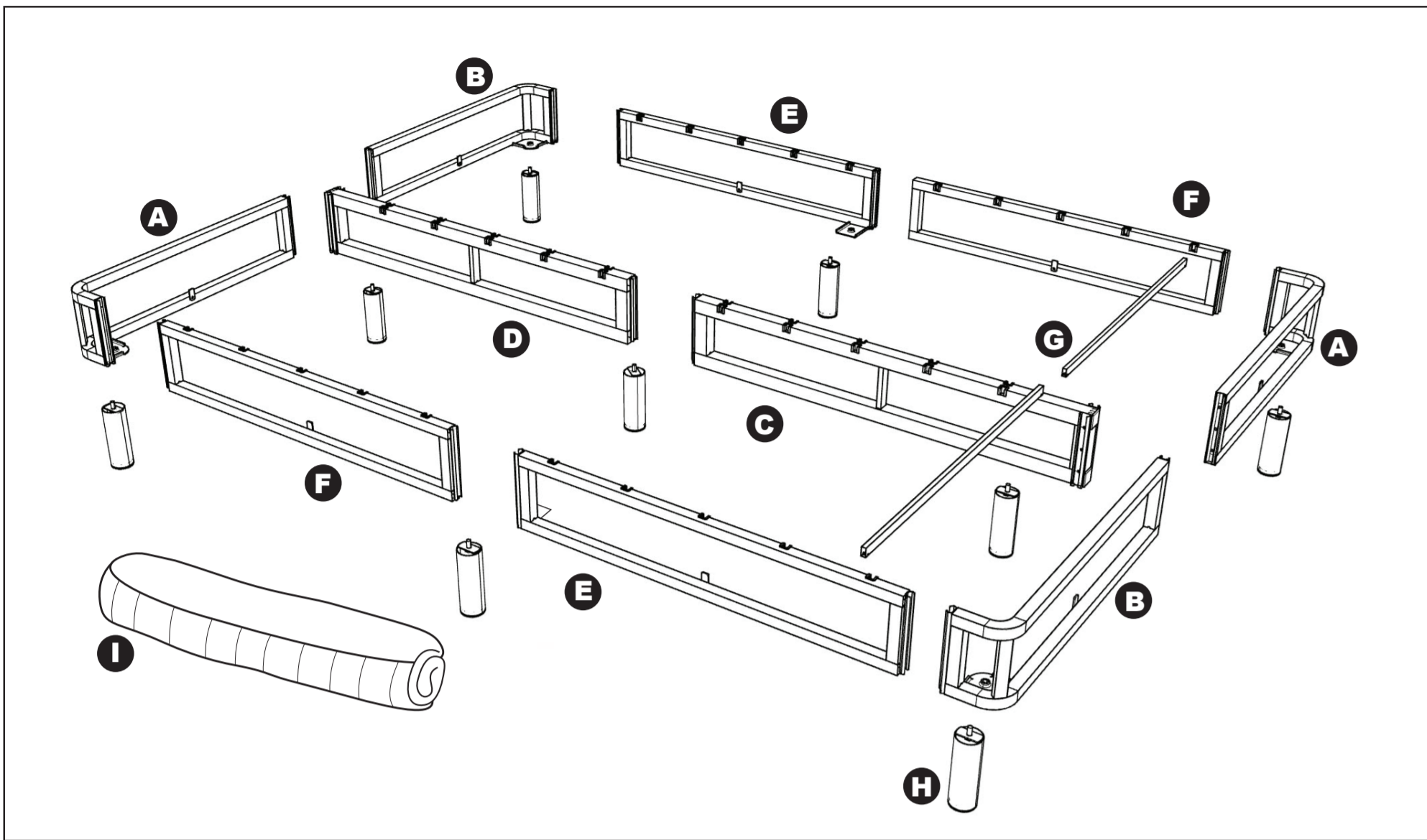


Platform Bed

Available in Full, Queen, King and Cal King sizes



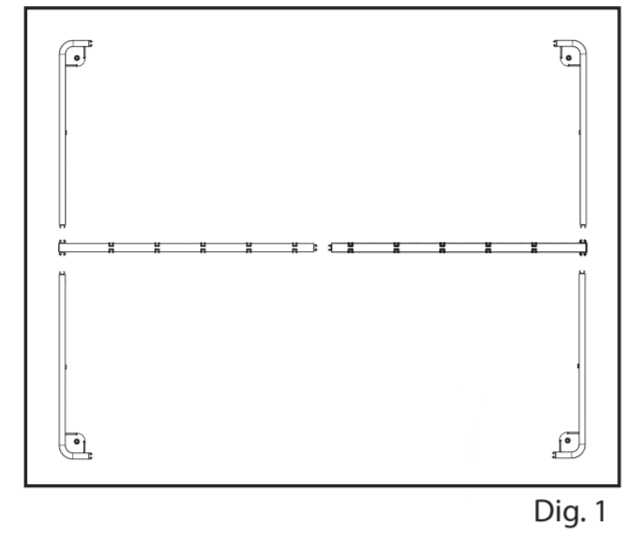
Parts List

- A** 2 - Left Head/Foot panel
- B** 2 - Right Head/Foot panel
- C** 1 - Head Center Section with 1 Leg Insert
- D** 1 - Foot Center Section with 2 Leg Insert
- E** 2 - Side Panel with Leg Insert
- F** 2 - Side Panel without Leg Insert
- G** 20 - Cross Slats
- H** 9 - Legs
- I** 1 - Fabric Cover

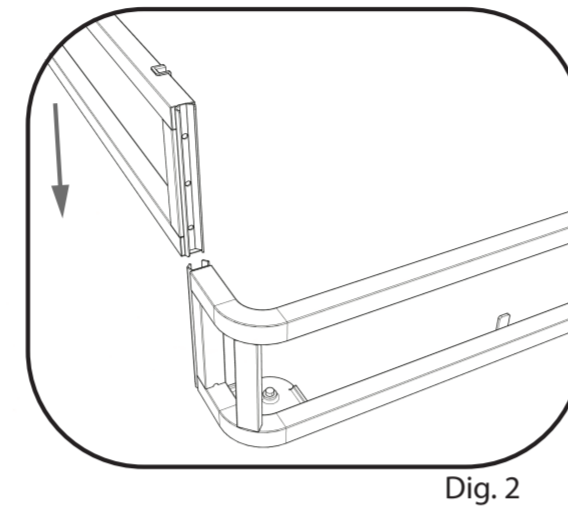
Assembly Instructions

1- Step 1

A- Lay out 4 head/foot panels(A)+(B) & 2 center sections(C)+(D) as in Diagram 1

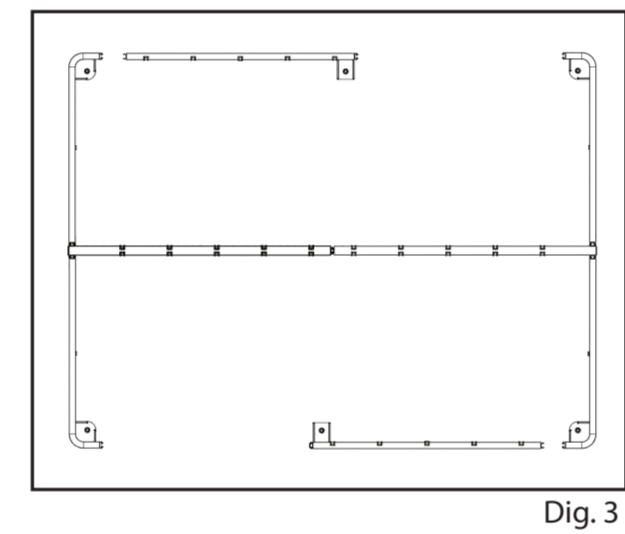


B- Slide sections together as in Diagram 2

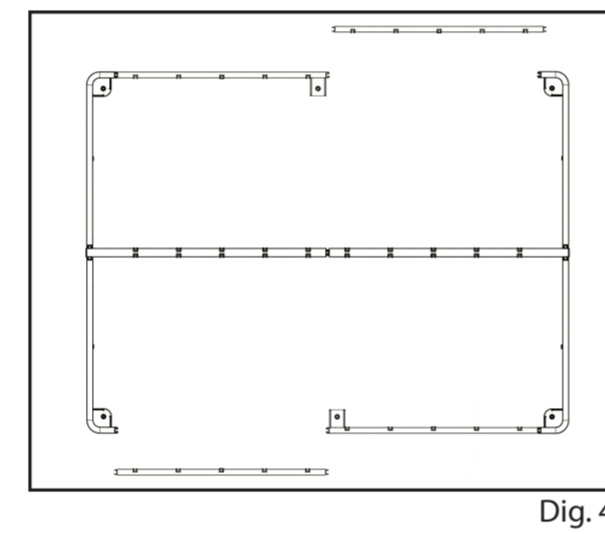


2- Step 2

A- Attach 2 side panels with leg insert(E) on opposite sides as in Diagram 3

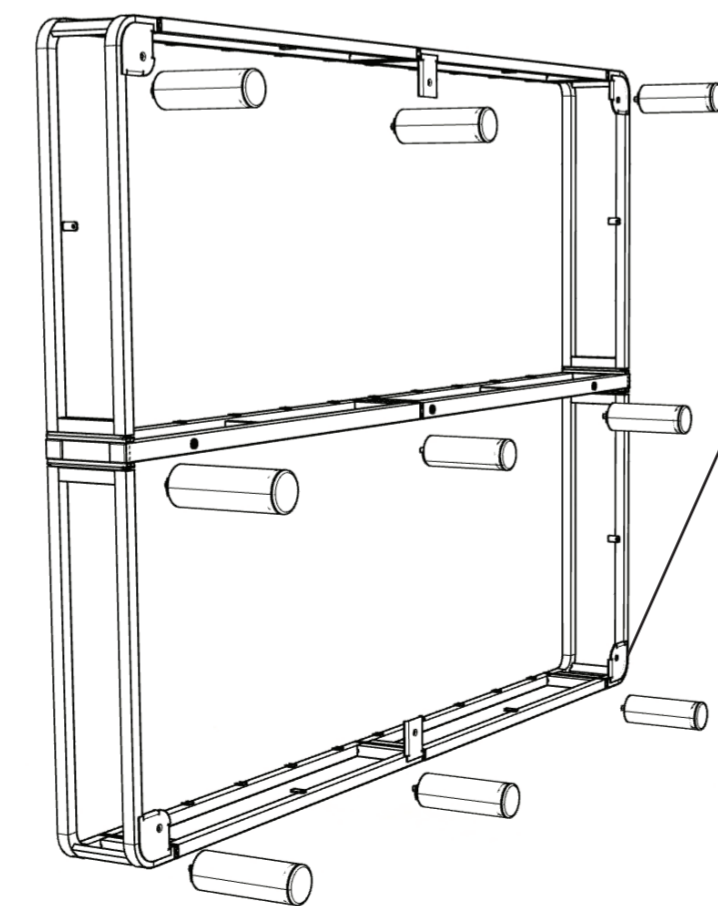


B- Attach 2 side panels(F) as in Diagram 4

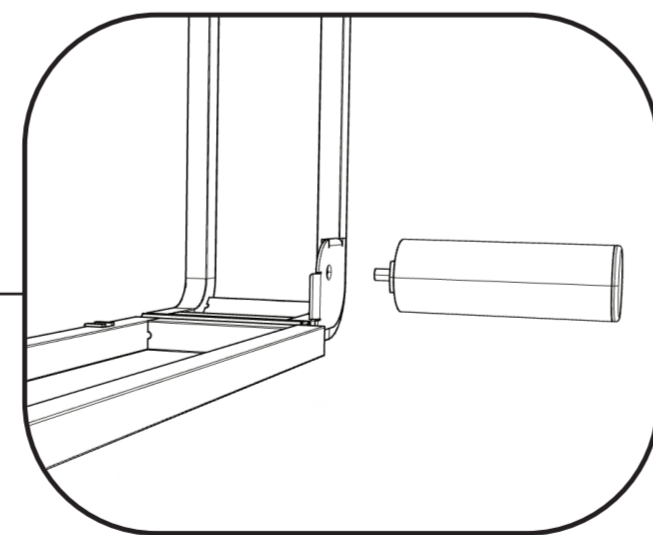


3- Step 3

A- Tip unit on its side

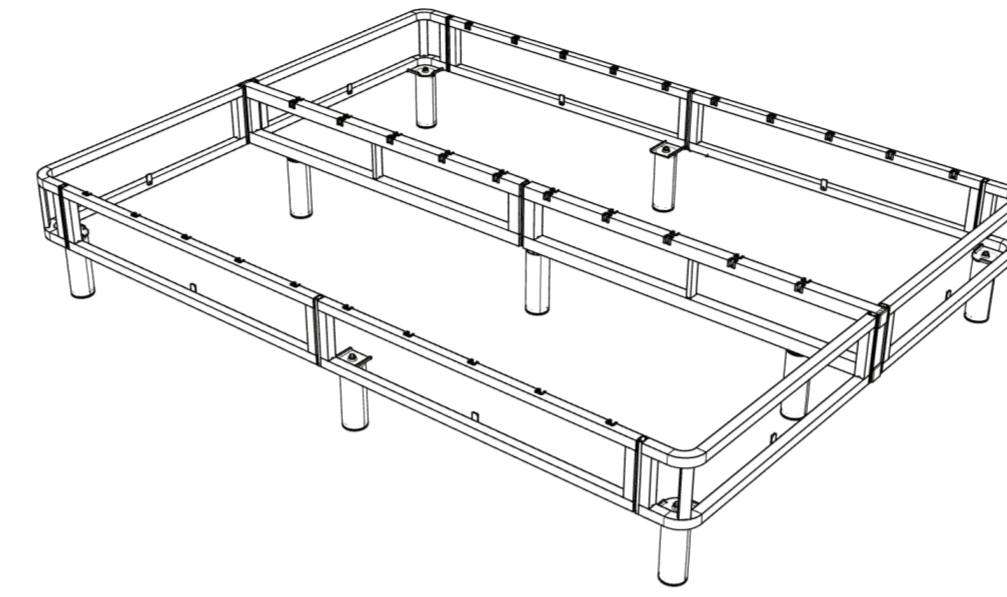


B- Attach 9 legs(H) by screwing into pre threaded holes

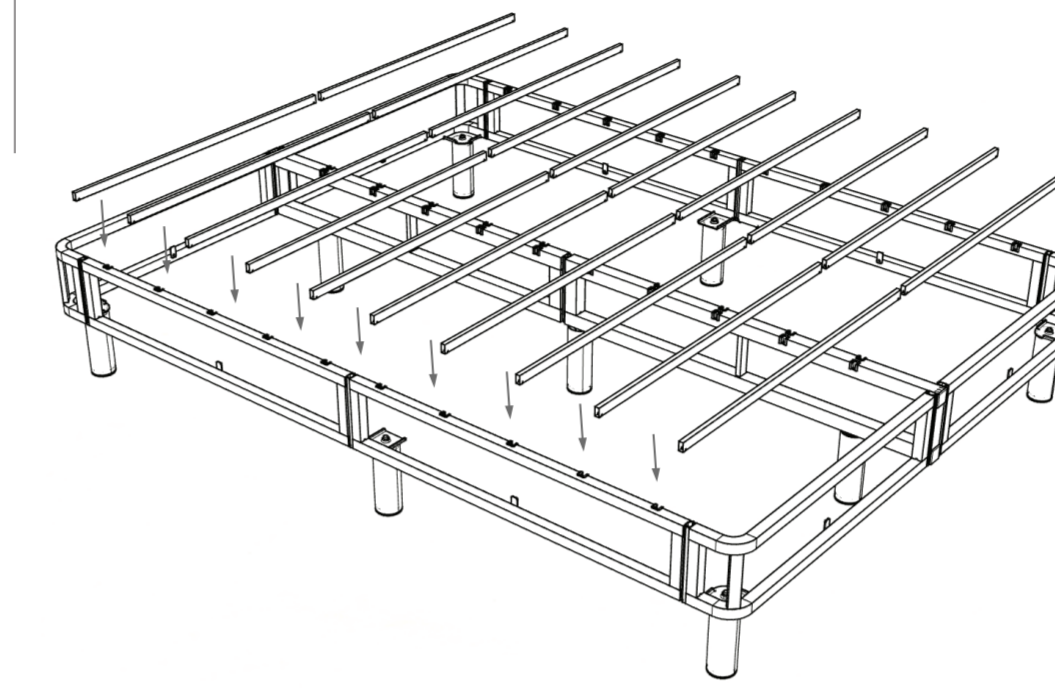


4- Step 4

A- Lay unit flat with the legs down

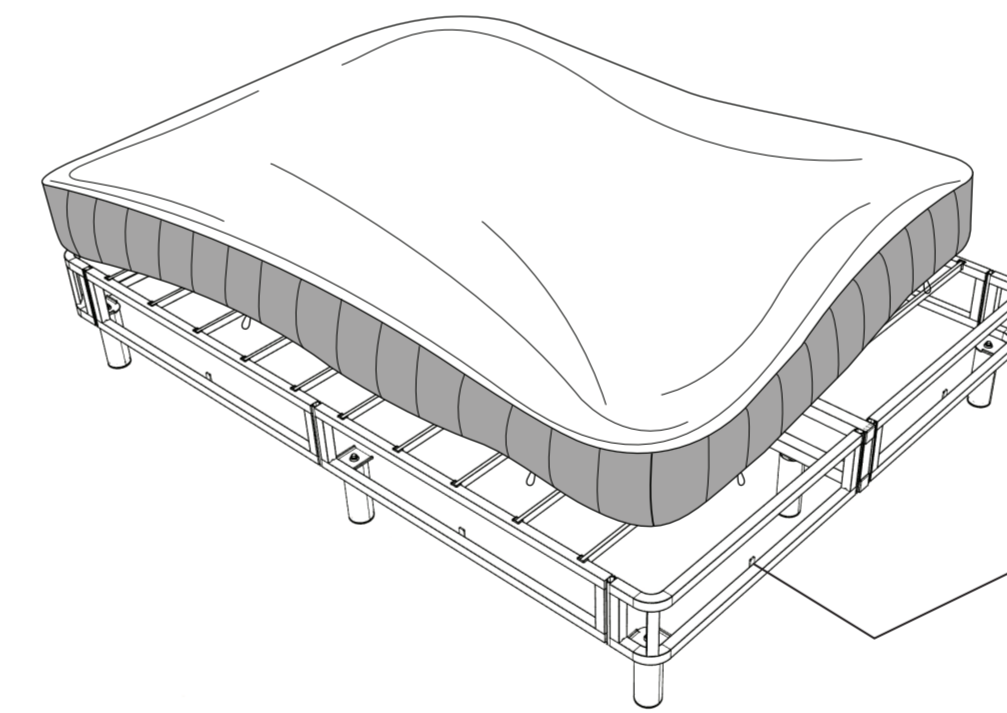


B- Snap 20 cross slats(G) on the top

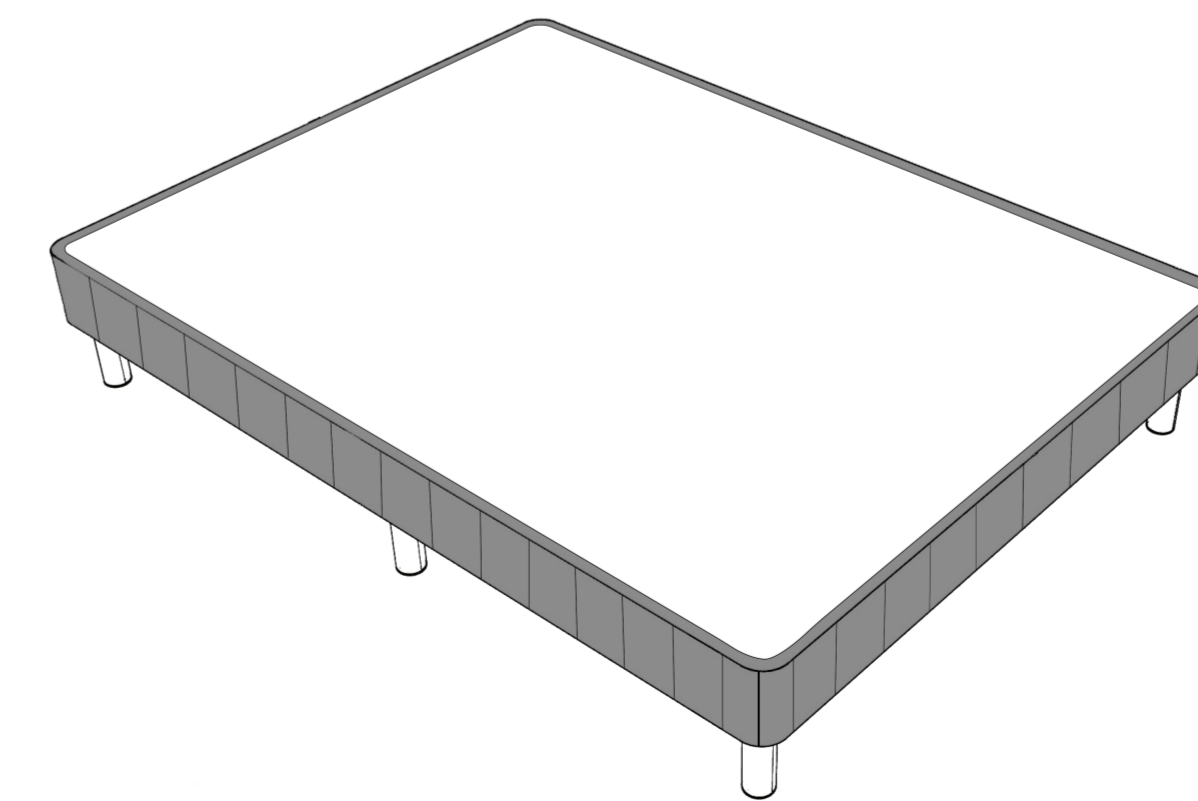
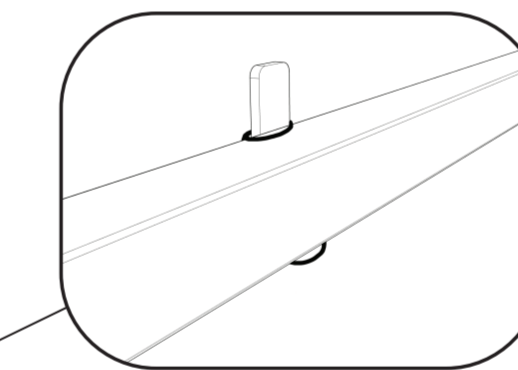


5- Step 5

A- Slip fabric cover(I) over unit



B- Using elastic, wrap under bar & place on raised tabs for secure fit



HOLLYWOOD BED & SPRING MFG. CO., INC. LIMITED WARRANTY

Hollywood Bed & Spring Mfg. Co., Inc. will, at our option, either repair or replace any platform bed manufactured or sold by us if it has any defect in material or workmanship for one year from the date of purchase for the original purchaser.

This warranty covers the steel and wood components of the frame. This warranty does not cover casters and other miscellaneous parts, nor damage caused by abnormal conditions or use other than as a bedding support product. **Transportation costs shall be borne by the purchaser.** Notice of any defect, together with proof of purchase should be given to us in writing at the address shown below:

Hollywood Bed & Spring Mfg. Co., Inc.
Attn: Customer Service
5959 Corvette Street
Commerce, CA 90040

Any implied warranties, including the implied warranty of merchantability and fitness for a particular purpose, shall be limited to the express warranties set forth herein. IN NO EVENT SHALL HOLLYWOOD BED & SPRING MFG. CO., INC. BE LIABLE FOR INCIDENTAL OR CONSEQUENTIAL DAMAGES SUSTAINED IN CONNECTION WITH THESE PRODUCTS OR THEIR USE. Some states do not allow an exclusion or limitation of incidental or consequential damages; therefore this limitation may not apply to you.

This warranty does not cover damage resulting from (1) misuse or improper service, (2) alteration or repair by unauthorized representatives or (3) damage resulting from transit or handling.

This warranty gives you specific legal rights and you may also have other rights which vary from state to state. This warranty extends only to the original retail purchaser.