

ATTENTION! READ BEFORE INSTALLING!

COLOR VARIATION

This is a natural product and color variations are to be expected. For best visual effect, shuffle planks from several cartons and do not install boards varying greatly in color next to one another.

WALL PREPARATION

Wall should be smooth, in good condition, and relatively straight and plumb with minimal bowing or curving of wall. Masonry walls and exterior walls should be moisture proofed prior to applying planks to walls.

Malibu Wide Plank

WALL INSTALLATION INSTRUCTIONS

READ THESE INSTRUCTIONS THOROUGHLY BEFORE BEGINNING INSTALLATION. If the following instructions leave any unanswered questions or if additional information is required, please call Malibu Wide Plank toll free at 844-658-4700.

MATERIAL SHOULD BE INSPECTED PRIOR TO INSTALLATION

Responsibility for the suitability of Malibu Wide Plank products for each individual installation cannot be assumed by Malibu Wide Plank since Malibu Wide Plank has no control over the installer's proper application. Should an individual plank be doubtful as to appearance or dimension the installer should not use this piece.

PRE-INSTALLATION JOBSITE REQUIREMENTS

Malibu Wide Plank cannot be held responsible for site conditions.

Carefully examine the material prior to installation for grade, color, finish, and quality. Ensure adequate lighting for proper inspection. If material is not acceptable, contact your supplier immediately and arrange for replacement. Malibu Wide Plank cannot accept responsibility for material installed with visible defects. Prior to installation of any material, the installer must ensure that the job site and walls meet the requirements of these instructions. Malibu Wide Plank is not responsible for material failure resulting from unsatisfactory jobsite and/or subfloor conditions.

Wall paneling/planks should be one of the last items installed in any new construction or remodel project. All work involving water or moisture should be completed before material installation.

Room temperature and humidity of installation area should be consistent with normal, year-round living conditions for at least one week before installation of material. Optimum room temperature of 70° F and a humidity range of 30% - 50% is recommended during installation. Humidity levels below 30% will most likely cause movement in the material, including gapping between pieces and possible cupping and checking in the face.

Store the material in the installation area before installation to allow material to adjust to room temperature. Do not store the boxes of material directly on concrete. When installing in a properly acclimated environment, (65-75 degrees and 30%-50% relative humidity) material does not need additional acclimation. Shuffle the boards from several cartons for best visual mix of lengths and color.

INSTALLATION TOOLS

For all installation methods:

- Tape measure
- Tapping block (trimmed piece of flooring)
- Pencil
- Pry bar or pull bar
- Chalk line
- Crosscut power saw
- Air stapler/nailer compatible with profile of the flooring material
- 1 ½" – 2" nail, cleat, or staple that is compatible with the profile of the flooring material
- Air compressor
- Construction mastic for glue installation

GLUE INSTALLATION

If walls are in moderately good condition, construction mastic is usually the easiest, fastest way to install hard wood planks over drywall, plaster, hardboard – even old paneling. To apply, follow the adhesive manufacturer's directions.

To help tighten joints while gluing, tack through tongue into drywall or plaster every two to three feet. Use small nails to hold planks in place until mastic sets.

NAIL INSTALLATION

NOTE: If installing in a horizontal or diagonal orientation, planks can be nailed directly on to wall with wood stud framing as long as nails are placed in studs. Planks installed in a vertical orientation will require furring strips be nailed to the wall.

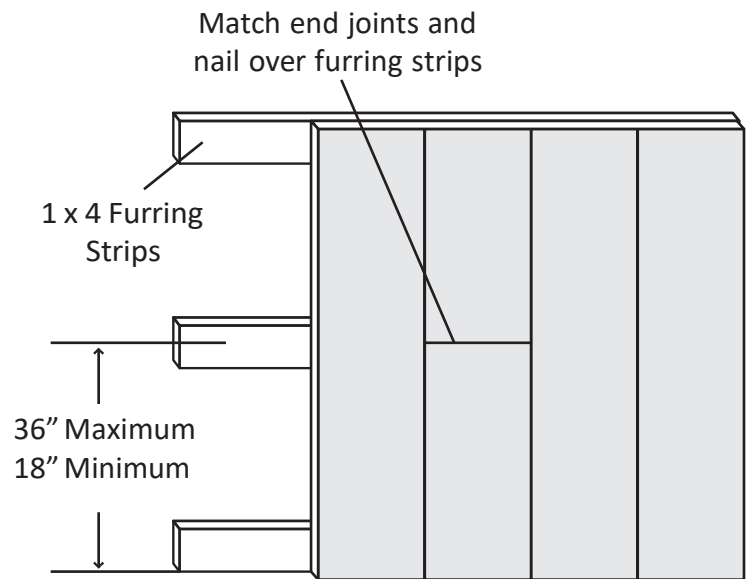


Figure 1

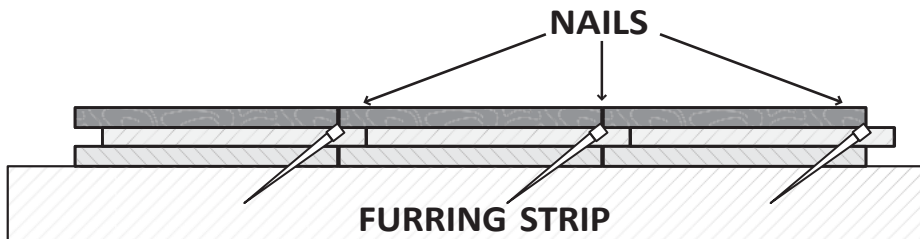


Figure 2

Nail 1 x 4 furring strips to the wall with a maximum spread of 36" or a minimum spread of 18". If installing planks vertically to the wall the furring strips must be nailed horizontally across wall (Figure 1). If installing planks horizontally to the wall, the furring strips must be nailed vertically across wall.

Begin installation at corner with groove facing perpendicular wall if installing in a vertical orientation or with the groove facing the floor if installing in a horizontal orientation. This is usually the straightest and best reference for establishing a straight working line. Establish this line by measuring an equal distance from the wall at both ends and snapping a chalk line. You may need to scribe cut the first row of planks to match the wall in order to make a straight working line if the wall is out of square.

Use a flooring air stapler/nailer compatible with profile of material or a stapler/nailer of your choice. Test on a sample to make sure that stapling/nailing will not cause dimpling (localized raised edges) in the finished plank. (Note: Be sure to look at the face of the installed flooring at a low angle from a distance to see if dimpling is occurring as it is hard to see when directly above the plank.) If dimpling does occur, STOP and adjust the stapler/nailer shoe and angle/place of staple entry in order to avoid it. Malibu Wide Plank is not responsible for dimpling.

The warranty for installation of this product on walls or other non floor installations is for replacement of material only. Malibu Wide Plank will not be responsible for any labor associated with replacing any product deemed having a manufacturing defect before, during or after wall installation. Malibu Wide Plank will not be responsible for any damage that occurs to the walls during plank replacement.

Call Customer Service Toll Free at 844-658-4700 with all Technical Questions Concerns

Malibu Wide Plank™