

Ocean Blue



VACUUM CLEANER USER'S MANUAL

WELCOME

Welcome to the clean world of OceanBlue!

Dear Customer:

Thank you for your confidence in our product. It is our goal to bring you into the clean world of OceanBlue. If you have been using a “Conventional” cleaning system for dirt removal you might be in for a surprise!

If you find that you are having to empty the water pan more often than you think that you should, be aware that, in the beginning, you are picking up more dirt because of the deep dirt that is in your carpets that was not removed before. After using the OceanBlue for a short time in regular use, you should find that the amount of dirt will taper off to more “normal” expectations.

You should be aware that deep dirt is the enemy of carpets. The deep dirt left in the carpet acts like little knives and slowly cuts the tufts of the carpets at the bottom as you walk on the carpet. You may see a lot of “fuzz” coming up from the carpet in the beginning, but by removing this deep dirt, you are increasing the life of your carpet.

Remember that the OceanBlue filtration system does not clog up the airflow as you use it. You still have full power right up to when to empty the water pan.

TABLE OF CONTENTS

Index	2 - 3
Optional Accessories.....	3
Technical Specifications	4
Get to Know the Parts of Your OceanBlue Vacuum Cleaner	5
Important Safety Instructions	6
General Precautions and Recommendations	7
Precautions when Vacuuming Liquids	7
Special Care and Safety Instructions	8
Servicing of Double Insulated Appliances	8
HydroTurbine Care.....	9
Operation and Handling.....	10
Water container/HydroTurbine.....	11
Using the attachments.....	12
Hose.....	13

Using your Vacuum..... 14

Warranty 15

Troubleshoot 16-17

OPTIONAL ACCESSORIES

Prolux Storm: The Prolux Storm has incorporated an electronically driven brush roll to this universal shampoo system. This design allows the shampoo system to agitate the surface which improves cleaning ability exponentially. This model works just like your regular power nozzle does, so all you must do is fill it up, and vacuum like you normally would.

Offers much higher power output than other shampooers on the market and offers self-adjusting brush roll height so you can easily move between surfaces. The self-adjusting design is exceptionally convenient when using on tile because it allows the brush roll to drop into and scrub grouted areas.

OceanBlue Water Based Air Purifier: This works as a humidifier, deodorizer, purifier, aromatherapy and fragrance machine. For aromatherapy or to use as an air freshener, add a few drops of fragrance into the water bowl and turn on.

This OceanBlue also works as a humidifier by pushing moisture into the air and leaving the impurities behind in the water bowl to be disposed of. The best part is that this purifier does not over dispense moisture, so you will never have to worry about water left behind and is safe to use in any area!

Stair Pro Electric Mini Turbo: Quick connect button lock to attach to your wand or vacuum handle. Brush roll is powered by durable electric motor and a geared belt that will last the lifetime of the tool. If you have pet hair you need to vacuum up this is a must! Not only do they last for many years but they deep clean better than almost anything!



TECHNICAL SPECIFICATIONS

- Durable ABS Construction
- 30ft power cord
- 120 volt
- 7.6 AMPS
- 846 WATTS
- 17,300 RPM Motor
- Sealed vacuum, 68"
- 2 Quart Dirt/water capacity
- 98 CFM
- Nano Silver Technology to reduce Odors
- Dry and Wet Pickup
- Only Weighs: 14 LBS
- State of the art Water Filtration
- 10ft cleaning radius

GETTING TO KNOW THE PARTS



1. Power Button
2. Hose/Cord Hanger
3. Blower Output on Back
4. Water Bowl Latch
5. Friction Fit Caddy (Also Holds Tools)
6. Water Basin
7. Power Hose Plug
8. Electric Main Hose
9. Power Head Switch
10. Handle Release
11. Extendable Wand Button
12. Wand Release Pedal
13. Electric Power Nozzle
14. Rubber Bumper
15. Pivot Release

16. Suction Relief Valve
17. Tool Hose/Wet Pickup
18. Mini Turbo w/Spinning Brush roll
19. Handheld Shampoo
20. Blower/Coil Cleaner
21. 32 mm Tool Kit

IMPORTANT SAFETY INSTRUCTIONS

When using an electrical appliance, basic precautions should always be followed, including the following: **READ ALL INSTRUCTIONS BEFORE USING THIS APPLIANCE WARNING: To reduce the risk of fire, electric shock, or injury:**

1. The switch used for controlling the appliance must be pushed to start and pushed to stop.
2. This appliance is for indoor use only. Do not store in wet places.
3. This appliance is for household use only.
4. **DO NOT** let children use the OceanBlue without adult supervision. This appliance is not a toy.
5. **DO NOT** leave appliance unattended when plugged in. Unplug from outlet when not in use and before emptying the water container.
6. **USE ONLY** as described in this manual. Use only manufacturer's recommended attachments.
7. **DO NOT** use with damaged cord or plug. If appliance is not working as it should, has been dropped, damaged, left outdoors, or dropped into water, return it to a service center.
8. **DO NOT** pull or carry by the cord, use cord as a handle, close a door on cord, or pull cord around sharp edges or corners. Do not run appliance over cord. Keep cord away from heated surfaces.
9. **DO NOT** unplug by pulling on cord. To unplug, grasp the plug, not the cord.
10. **DO NOT** handle plug or appliance with wet hands.
11. **DO NOT** put any objects into openings. Do not use with any opening blocked; keep free of dust, lint, hair and anything that may reduce air flow.
12. **KEEP HAIR**, loose clothing, fingers, and all parts of body away from openings and moving parts.
13. **USE EXTRA** care when cleaning on stairs.
14. **NEVER** use to pick up flammable or combustible liquids such as gasoline or use in areas where they may be present. See section PRECAUTIONS WHEN VACUUMING LIQUIDS.
15. **ALWAYS** turn off this appliance before connecting or disconnecting either hose or motorized nozzle (optional).
16. **TURN OFF** all controls before unplugging.
17. This appliance is provided with DOUBLE INSULATION. Use only identical replacement parts. See instructions for SERVICING OF DOUBLE INSULATED APPLIANCES.
18. **DO NOT** pick up anything that is burning or smoking, such as cigarettes, matches or hot ashes.
19. Before turning on this appliance, make sure the machine is tightly secured by the clamps to the water container. Failure to do this could cause a risk of injury to persons and would defeat the utility of the appliance.
20. Your OceanBlue is provided with a safety interlock switch to prevent operating the appliance without attaching the water container to the appliance. Because the turbine operates at high speed, this is to protect you from coming into contact with the moving HydroTurbine.

GENERAL PRECAUTIONS & RECOMMENDATIONS

IMPORTANT

Please read all instructions before using this machine and keep this manual always at hand. Follow the instructions manual for the Ocean Blue's. Do not try to use it otherwise. The use of non-authorized accessories by OceanBlue could be dangerous. See section SERVICING OF DOUBLE INSULATED APPLIANCES.

- DO NOT plug the OceanBlue into the receptacle of an incandescent light bulb, nor use extensions cords with less electrical capacity than needed.
- The OceanBlue must not be used to clear sewers. An explosion may occur if the machine suctions sewer gases.
- You must NEVER touch a metallic kitchen sink or washbasin or water pipelines with one hand while holding the machine with the other hand. The danger is greater if the person's skin is wet.
- Take special care when cleaning stairs.
- ATTENTION: It is not recommended to use the OceanBlue for cleaning chimneys or open stoves, or other devices that have oil or grease, for example, soot or ashes, clay dust, plaster or other similar materials that are resistant to water action. It must not be used for vacuuming toxic or volatile substances or near any of these.

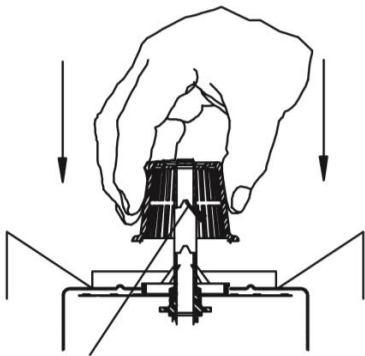
PRECAUTIONS WHEN VACUUMING LIQUIDS

Always consider the following precautions:

- DO NOT operate the machine with wet hands or feet or barefoot.
- NEVER use OceanBlue to clean up liquids outdoors, upon an earth floor.
- NEVER vacuum liquids with OceanBlue when you are stepping on water or a wet floor. If it should be necessary to step on a wet or damp floor to pick up water, do not touch the metallic parts of ANY electric device, lamp or switch while performing this operation.
- DO NOT carry the machine with your hand while using the machine for cleaning operations.
- The water container must be empty before you begin picking up liquids. DO NOT vacuum more than 1.9 liters (2 quarts); the water level MUST NEVER be above the central post. Excess water in the water container will cause shaking and vibration. If this occurs, the vibrations are your warning that the water container is overfilled. (If you have a need to pick up more than 2.5 liters of water frequently, consider the optional 4-liter water container shown on page 18.)

SPECIAL CARE & SAFETY INSTRUCTIONS

WATER: Do not operate the OceanBlue for too long without changing the water. When you notice that the water is getting too full of dust and fuzz, throw it away and replace it with clean water. The correct level of water is that of the height of the central post of the water container.



Make this guide coincide perfectly when placing the HydroTurbine in its place.

WATER CONTAINER: When you finish cleaning your house, be careful to put away the OceanBlue's motor apart from the water container between uses. **ALWAYS** empty the water container after each use.

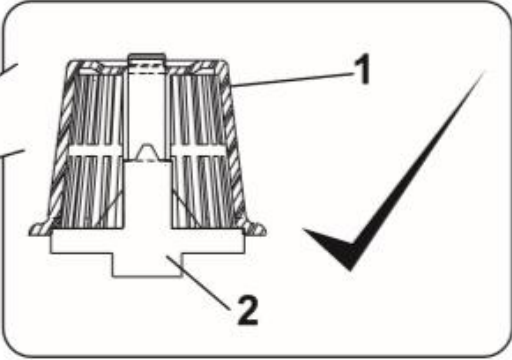
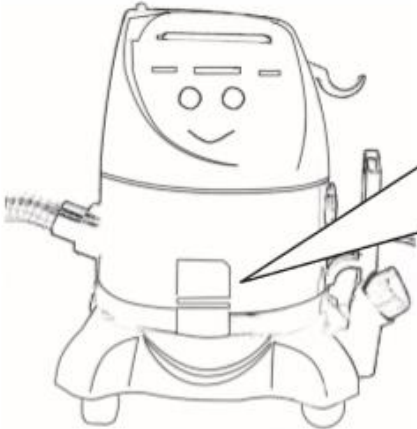
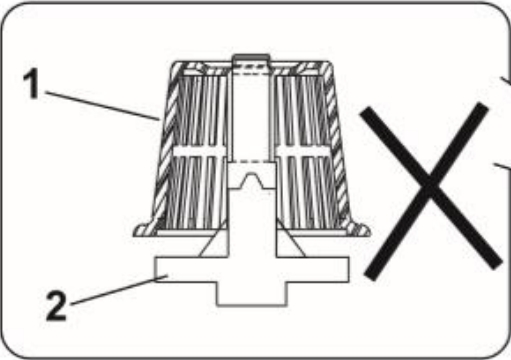
THE HYDROTURBINE IS THE HEART OF YOUR MACHINE Unplug the OceanBlue from the power outlet. Remove and clean the HydroTurbine after each use. Wash it inside and out with water and soap, using the brush provided. Dry it and put in place again. Tighten the nut by hand until the fl at surface of the HydroTurbine is properly adjusted. Do not over tighten, as the HydroTurbine automatically tightens upon starting the machine. The HydroTurbine is the key for separating the dirty water from the airflow and proper care is important for the performance of your appliance. If the

HydroTurbine should become damaged (**CHIPPED OR BROKEN**), replace the HydroTurbine with a factory made turbine from your Service Center. **WARNING:** The OceanBlue must **NEVER** be used without the HydroTurbine. Always place it back after cleaning it.

SERVICING OF DOUBLE INSULATED APPLIANCES: For your safety and protection, your OceanBlue is a **DOUBLE INSULATED** appliance. **NEVER** attempt service on the electrical parts of the appliance **EXCEPT** at your OceanBlue Service Center. There are special requirements for servicing **DOUBLE INSULATED** appliances. Failure to do so can cause safety hazards with your unit.

HYDROTURBINE CARE

The HydroTurbine (1) must rest flat on base of spider (2). You do this by turning Hydro-Turbine with fingers until it falls in place.



Remember, always use the vacuum cleaner with the HydroTurbine in the correct position!

OPERATION AND HANDLING

General guidelines for using OceanBlue:

Fill up the water container with cold water until it almost covers the top of the central post: correct quantity of water 2.365 liters (2.5 quarts). (fig.1)

The motor unit is placed on top of the water container (fi g.2). The air intake should be lined up with the notch in the motor unit. The edge of the motor unit should be firmly rest on the top of the water container and be inside of the retaining ring for correct location, otherwise, the machine will not work. Engage the two clamps and raise the upper part of the clamps together. Place the machine on top of the wheeled base. **Note: The clamps will not operate properly if the motor unit is not in the proper position on the water container. If the clamps do not operate easily, check the location of the motor unit.**

Insert the plastic wand into the curved wand with the OceanBlue hose (fi g.3) until the button fits in place. Insert the plastic end of the OceanBlue hose into the vacuum air intake as shown (fi g.4), rotating it to right. To disconnect, rotate it to the left and pull it towards you.



Fig.1



Fig.2

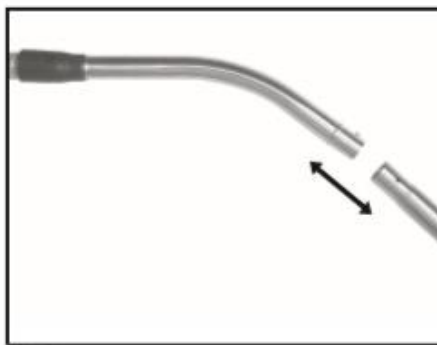


Fig.3



Fig.4

WATER CONTAINER / HYDROTURBINE



To empty the water container:

1. Release both clamps by pulling the upper part of the clamp assembly down and remove motor.
2. Pickup the water container by the vacuum intake end and empty the water.
3. Place the heavier particles in the bottom of the water container in a trash can (such as wet fuzz)
4. Wash, rinse and dry the water container
5. Keep the motor apart from the water container until next use.



Care of HydroTurbine:

Take out the turbine after each use and wash it inside and out with water and soap, using the special supplied tool. Dry it and put it back in its place. Tighten the nut by hand until the turbine is seated and the rim is flush with the rim of the metal casting of the motor. Do not over tighten, as the HydroTurbine automatically tightens up on starting the machine.

WARNING: The HydroTurbine must always be positioned back in its place immediately after you clean it. Do not operate the machine without the HydroTurbine.

Using The Attachments

Floor Tool (Fig 1): Soft natural fill which supports the brush over hard floors and makes it easily maneuverable over uneven surfaces, without damaging the finish. It has wide cleaning opening which captures large debris and delivers effective cleaning power to the far edges of the tool.

Duster Brush (Fig 2): The Dusting Brush is used for all types of furniture.

Crevice Tool (Fig 3): Use for cleaning radiators, cracks & crevices along corners, and baseboards and in-between cushions.

Upholstery Tool (Fig 4): Designed to clean the dirt that becomes embedded in your furniture and limits the life of the fabric. The tool also comes with slide on bristles, so you can use it on hard furniture, dusting or to add a more aggressive surface to your tool which can help in removing pet hair that is entangled in your fabric.

Mini Turbo (Fig 5): This is the best pet hair tool in the business! Perfect tool for upholstery, stairs and hard to reach places. This is the deluxe model with a geared belt which reduces slippage and increases the life of your tool. Brush roll is designed to sweep debris to middle of head for easy pick up. The swiveling bottom plate allows you to use this on your floors as well. Fits nearly any standard vacuum.



HandHeld Shampooer (Fig 6): This attachment works great for those small areas that your regular sized shampooer system is just too big for. Works great in the car, on rugs, throw pillows, and furniture.

Blower/Coil Cleaner (Fig 7): This attachment is a high-end tool that works great for cleaning hard to reach areas. The bristle attachment makes it especially easy to reach under washer/dryer, behind your fridge and even in your vents! This tool also works great as an inflator and detailing blower on vacuums with blower option.

HOSE



Use to vacuum dry and wet materials on floor, walls, tapestries, electro-domestic devices, air conditioning ducts, clothes, etc.


To clean and/or to dry the interior of the hose and of the stainless curved wand:

1. Remove the discharge air cover of the OceanBlue vacuum cleaner and introduce the plastic end of the hose in it as shown.
2. Then connect the other end of the hose into the vacuum air intake. Turn on the motor and shake the hose. Any stuck material in the interior of the hose will be suctioned and submerged into the water container; OceanBlue's hose will also become completely dry, after vacuuming water.
3. This procedure can also be used before using your OceanBlue hose for any blowing operation.

USING YOUR VACUUM

REMEMBER THE FOLLOWING WHEN USING YOUR VACUUM CLEANER:

The functioning of your new cleaning equipment greatly depends on the maintenance given at home. Only use your OceanBlue equipment according to the instructions provided in this manual.

- Before using the machine pick up by hand any hard or sharp objects such as pins, hairpins, thumbtacks, pieces of pencil, etc. that could harm the spinning brush roll.
- Do not lubricate the motor. The motor has permanent lubrication and is sealed.
- Shut down the machine before connecting hose.
- Do not use the machine to clean chimneys, open stoves, or other materials containing oils, grease, soot, ashes, clay dust, plaster or other water-resistant materials.
- It must not be used either to vacuum volatile or toxic substances, nor to be operated near them.
- **SERVICING OF DOUBLE-INSULATED APPLIANCES**
- A double-insulated appliance is marked with one or more of the following: The words “DOUBLE INSULATION” or “DOUBLE INSULATED” or the double insulation symbol (square within a square) .
- In a double-insulated appliance, two systems of insulation are provided instead of grounding. No grounding means its provided on a double-insulated appliance, nor should a means for grounding be added to the appliance. Servicing a double-insulated appliance requires extreme care and knowledge of the system and should be done only by qualified service personnel.
- Replacement parts for a double-insulated appliance must be identical to the parts they replace.

All service operations, other than cleaning, must be done by an authorized service agent of OceanBlue.

FIVE (5) YEAR LIMITED WARRANTY

(90 days on the motor and body if used commercially)

OceanBlue warrants this product's motor free from defects in material and workmanship for a period of five (5) years on the motor, and three (3) years on the body of the vacuum, free from manufacturer defects in material and workmanship from the original date of purchase, when utilized for normal household use. (90 days on the motor and body if used commercially)

Subject to the following conditions, exclusions, and exceptions:

What is Not Covered by the OceanBlue Warranty - Warranty Exclusions. This limited warranty does not extend to and expressly excludes:

- 1. Normal wear and tear and/or replacement attachments or accessories, including, without limitation, extension cords, hoses, filters, switches, carbon motor brushes and other attachments to the Backpacks.**
- 2. Damage or burnout of the Backpack or Canister motor resulting from failure to clear a blockage occurring during the normal course of use.**
- 3. Loss or damage to the Backpack or Canister resulting from conditions beyond the control of OceanBlue including without limitation, misuse, accidents, abuse, neglect, negligence from the customer, overuse beyond capacity of the vacuum, or unauthorized modification and/or alteration.**
- 4. Loss or damage to the Backpack or Canister resulting from failure to follow the required maintenance schedule, or failure to use the Backpack or canister in accordance with written instructions from OceanBlue, guidelines or the terms of its Owner's Manual.**

If your appliance fails to operate properly while in use under normal household conditions within the warranty period, please contact your authorized OCEANBLUE dealer you purchased the unit from. Non-durable parts including, without limitation, filters, accessories, brushes, belts, and electrical parts, which normally require replacement, are specifically excluded from warranty.

This warranty is limited solely to the cost of the repair or replacement of the unit at OceanBlue's option. This warranty does not cover normal wear of parts and does not apply to any unit that has been tampered (by unauthorized user) with or used for commercial purposes. This limited warranty does not cover damage caused by shipping damage, misuse, abuse, negligent handling, or damage due to faulty packaging or mishandling in transit.

This warranty is extended to the original purchaser of the unit only and is not transferable. ***IMPORTANT: Before sending unit back for warranty work, contact your authorized OCEANBLUE retailer you bought the unit from first. Unauthorized warranty claims may be sent back.**

Authorized Warranty claims: OCEANBLUE shall be responsible for all parts and labor and the customer shall be responsible for all shipping charges to and from the OCEANBLUE service center.

OceanBlue is constantly striving to improve our products. Therefore, the specifications contained herein are subject to change without notice.

Troubleshooting

WARNING: Never use a defective appliance. Always switch off the appliance and disconnect it from the outlet or remove the battery before you start to troubleshoot.

Fault	Possible Cause(s)	Solution
The vacuum will not turn on.	The plug is not connected to the electrical wall outlet or the appliance is not switched to the "on" position.	Insert the plug into an electrical wall outlet and flip the "on/off" switch to the "on" position. See section "Vacuum Cleaning."
	Electrical wall socket does not carry current.	Test the vacuum cleaner on another outlet that you are sure is carrying current.
	The power cord is damaged.	Replace with a new cord by an authorized service center or professional technician.
Suction power is low.	The water basin is full or clogged.	Empty/clean the water basin.
	The power nozzle, attachment wand or suction hose is clogged.	Remove the debris that is causing the clog. If necessary, use a long wooden stick (e.g. a broomstick) or coat hanger to do this.
	The water basin container is installed incorrectly.	Remove water basin container and reinstall; making sure the container is locked into place when reinstalling.
	The tool attachment being used, does not work properly on the surface you are vacuuming.	Attach the appropriate tool for the surface you are vacuuming. See pages 8-9.
The vacuum makes unusual noises or is louder than usual.	The power nozzle, attachment wand, or the suction hose are clogged.	Remove any clogs. If necessary, use a long wooden stick (e.g. a broomstick) or coat hanger to do this.

Troubleshooting for Electric Power Nozzle –

Problem – electric power nozzle does not power up (motor does not turn on in power nozzle). Solution – Please follow all the steps below and try again:

- a. Unplug cord from power nozzle on hose, count 20 seconds and plug back in.
- b. Make sure the brush roll can roll freely and nothing is obstructing it.
- c. Make sure hose is firmly “snapped” into canister.
- d. Make sure main electrical wand is firmly “snapped” all the way to the hose.
- e. Make sure main electrical wand is firmly “snapped” all the way into the power nozzle.
- f. For models with reset button, firmly press reset button on electrical power nozzle.
- g. On the hose is an on/off switch. Make sure that it is turned to on.
- h. On the Power Nozzle there is an on/off button; make sure that is turned on as well.

If you plug the power nozzle directly into the hose and it turns on (but won't turn on with main wand attached,) then you know the main wand is defective or a connection needs adjusting (see last problem below).

Problem – electric power nozzle turns on, but brush roll does not spin.

Solution – Most likely a large object may have been vacuumed up, jammed the brush roll and broke the belt. Remove bottom plate of the power nozzle, check or replace belt, remove obstruction and try again.

Problem – electric power nozzle cuts in and out as you vacuum back and forth.

Solution – There are several connections to get power to the power nozzle, they are: 1) the hose and canister, 2) the hose and main wand and 3) the main wand and power head. Make sure each of these is firmly connected. If you have traced the ‘cutting out’ problem to one of these areas and they are firmly connected, then when the vacuum is unplugged from the wall, you may take a pair of needle-nose pliers and slightly bend the male terminal out, so it has a better connection.