



- EN -

DIRECT EXPANSION COMPRESSED AIR DRYERS

Operators Manual

For 60 Hz dryers NPT version

- FR -

SECHEUR D'AIR A EXPANSION DIRECTE

Manuel des Opérateurs

Pour des sécheurs à 60 Hz NPT version

Design Change D25IN, D300IN, D360IN

D25IN-A, S/N 11M-034535 and up – new cabinet, condenser and evaporator

D300IN-A, S/N 12M-003464 and up – new gas (R407C), compressor, evaporator and bypass valve

D360IN-A, S/N 12M-003478 and up – new gas (R407C), compressor, evaporator and bypass valve

Use Rev 3 book or higher for above parts, for serial numbers prior, use previously published manuals.

D12IN-A D18IN-A D25IN-A-SR

D42IN-A D54IN-A D72IN-A

D108IN-A D144IN-A D180IN-A

D300IN-A D360IN-A

- EN -

CONTENTS

1. GENERAL INFORMATION	
1.1 Functional Description	3
1.2 Safe Use of the Dryer	3
2. INSTALLATION	
2.1 Acceptance and Transportation	4
2.2 Installation Site	4
2.3 Installation	4
3. START UP	
3.1 Control Panel	5
3.1.1 Keys function	6
3.1.2 Condensate discharge Parameters Programming	6
3.1.3 Anomaly Warning	7
3.1.4 Remote signalling Alarm	7
3.2 Before Start Up	8
3.3 Start Up	8
4. MAINTENANCE, TROUBLESHOOTING AND DISMANTLING	
4.1 Maintenance	8
4.2 Troubleshooting	8
4.3 Dismantling	10
ATTACHMENTS TO THIS MANUAL	
A) Refrigerant Circuit	21
B) Electric Circuit Diagram	22
C) Technical Data Sheet	24
D) Correction Factors	25
E) Dryer Dimensions	26
F) Basic Spare Parts	28

- FR -

TABLE DES MATIERES

1. INFORMATIONS GENERALES	
1.1 Description fonctionnelle	12
1.2 Utilisation du séchoir en toute sécurité	12
2. INSTALLATION	
2.1 Réception et transport	13
2.2 Lieu d'installation	13
2.3 Installation	13
3. MISE EN SERVICE	
3.1 Pupitre de commande	14
3.1.1 Fonction des touches	15
3.1.2 Programmation des paramètres	15
3.1.3 Signalisation des anomalies	16
3.1.4 Signalisation d'alarme a distance	16
3.2 Opérations préliminaires à la mise en marche	17
3.3 Mise en marche	17
4. ENTRETIEN, RECHERCHE DES PANNES ET DEMANTELEMENT	
4.1 Entretien	17
4.2 Recherche des pannes	17
4.3 Démantèlement	19
ANNEXES AU MANUEL	
A) Circuit Frigorifique	21
B) Schéma électrique	22
C) Caractéristiques Techniques	24
D) Facteurs de Correction	25
E) Dimensions Du Sécheur	26
F) Pièces De Rechange Essentielles	28

INTRODUCTION

This manual is an integral part of the dryer you bought, and must remain with the machine even if this will be resold.

It is highly recommended that the qualified*personnel for installation maintenance and/or control will fully comply with the contents of this manual and the prevention and safety rules in force in the country where the system will be used. In this way, not only the usage of the machine will be rational, but also the service will result cost effective.

In case your dryer will present any kind of problem, please contact your local authorized Ingersoll Rand distributor.

Please note that, when necessary, the use of original spare parts will ensure efficiency and long duration to your dryer.

Due to the continuous technological evolution, Ingersoll Rand reserves the right to modify the specifications contained in this manual without giving previous notice.

SYMBOLS AND LABELS USED IN THE MANUAL AND ON THE DRYER

	Air inlet.		Air outlet.
	Read the Operators manual before attempt to start up the machine and to perform any service operation on the dryer.		Pay particular attention to components or systems under pressure.
	Pay particular attention to the indications preceded by these symbols.		Pay particular attention to hot surfaces.
	Installation, maintenance, and/or control operations preceded by these symbols must be performed exclusively by qualified personnel*.		Pay particular attention to the risk of electric shock.
	Condensate drain point.		Rotation direction of the fan.
	Pay particular attention to the risk of moving parts	CAUTION - RISK OF ELECTRIC SHOCK; DISCONNECT FROM SUPPLY SOURCE BEFORE SERVICING CAUTION - MOVING PART; DO NOT OPERATE WITH PANEL REMOVED CAUTION - HOT PART; DO NOT OPERATE WITH PANEL REMOVED	
	Attention: Before performing any maintenance operation on this machine, do not forget to disconnect the electric supply, to completely discharge air pressure, and to refer to the Operators manual		ATTENZIONE ATTENTION IMPORTANTE ACHTUNG OGNI SETTIMANA ONCE A WEEK TOUTES LES SEMAINES CADA SEMANA WOCHENTLICH IL CONDENSATORE VA PULITO CON UN GETTO DI ARIA COMPRESSA. THE CONDENSER MUST BE CLEANED BY BLOWING OUT WITH AIR. NETTOYER LE CONDENSEUR AVEC UN JET D'AIR COMPRIME'. LIMPIAR EL CONDENSATOR CON AIRE COMPRIMIDO. DEN KONDENSATOR MIT EINEM DRUCKLUFTSTRAHL REINIGEN.

* Qualified personnel must be trained and certified in accordance with local laws and regulations.

WARRANTY

The Company warrants that the equipment manufactured by it and delivered hereunder will be free of defects in material and workmanship for a period of twelve months from the date of placing the Equipment in operation or eighteen months from the date of shipment from the factory, whichever shall first occur. The Purchaser shall be obligated to promptly report any failure to conform to this warranty, in writing to the Company in said period, whereupon the Company shall, at its option, correct such nonconformity, by suitable repair to such equipment or, furnish a replacement part F.O.B. point of shipment, provided the Purchaser has stored, installed, maintained and operated such Equipment in accordance with good industry practices and has complied with specific recommendations of the Company. Accessories or equipment furnished by the Company, but manufactured by others, shall carry whatever warranty the manufacturers have conveyed to the Company and which can be passed on to the Purchaser. The Company shall not be liable for any repairs, replacements, or adjustments to the Equipment or any costs of labor performed by the Purchaser or others without Company's prior written approval.

The effects of corrosion, erosion and normal wear and tear are specifically excluded. Performance warranties are limited to those specifically stated within the Company's proposal. Unless responsibility for meeting such performance warranties are limited to specified tests, the Company's obligation shall be to correct in the manner and for the period of time provided above.

THE COMPANY MAKES NO OTHER WARRANTY OR REPRESENTATION OF ANY KIND WHATSOEVER, EXPRESSED OR IMPLIED, EXCEPT THAT OF TITLE, AND ALL IMPLIED WARRANTIES OF MERCHANTABILITY AND FITNESS FOR A PARTICULAR PURPOSE, ARE HERBY DISCLAIMED.

Correction by the Company of nonconformities whether patent or latent, in the manner and for the period of time provided above, shall constitute fulfillment of all liabilities of the Company for such nonconformities whether based on contract, warranty negligence, indemnity, strict liability or otherwise with respect to or arising out of such Equipment.

The Purchaser shall not operate Equipment which is considered to be defective, without first notifying the Company in writing of its intention to do so. Any such use of Equipment will be at Purchaser's sole risk and liability.

Note that this is Ingersoll Rand standard warranty. Any warranty in force at the time of purchase of the equipment or negotiated as part of the purchase order may take precedence over this warranty.

1. GENERAL INFORMATION

1.1 FUNCTIONAL DESCRIPTION

Ingersoll Rand refrigerated air dryers remove moisture from compressed air. Moisture is detrimental to pneumatically operated appliances, controls, instruments, machinery and tools.

Compressed air enters the patented aluminum heat exchanger where it is cooled down to the dew point temperature in two different stages: In the first air/air sector compressed inlet air is cooled thanks to the colder compressed air coming out counterflow from the condensate separator. In the second refrigerant / air sector, compressed air temperature is further lowered to the dew point temperature. During this two stages almost all the oil and water vapours contained in compressed air are condensed to liquid and successively be separated from the compressed air in the condensate separator and drained out by the automatic drain. At this point the obtained cold air re-enters counterflow the initial air / air exchanger and it is reheated by the inlet hot air with the consequence of energy recovering and also reduction of the relative humidity contained in the outflowing air.

This dryer can be easily installed into various pneumatic systems in which dry air is required or desired. Please refer to Start up chapter for complete operating details.

The dryer comes provided with all the control, safety and adjustment devices, therefore no auxiliary devices are needed.

A system overload not exceeding the maximum operative limits can worsen the operational performance of the dryer (high dew point), but it will not affect its safety.

The electric diagram (attachment B) shows the minimum protection degree IP 42.

Improper grounding can result in electrical shock and can cause severe injury or death.

This product must be connected to a grounded, metallic, permanent wiring system or an equipment-grounding terminal or lead on the product.

All grounding must be performed by a qualified electrician and comply with national and local electrical codes.

In the event of an electrical short circuit, grounding reduces the risk of electric shock by providing an escape wire for the electric current.

Ground must be established with a bare grounding wire sized according to the voltage and minimum branch circuit requirements.

Ensure good bare metal contact at all grounding connection points, and ensure all connections are clean and tight.

Check grounding connections after initial installation and periodically thereafter to ensure good contact and continuity has been maintained.

Check with a qualified electrician or service technician if the grounding instructions are not completely understood, or if in doubt as to whether the product is properly grounded.



1.2 USE OF THE MACHINE IN SAFE CONDITIONS

This system has been designed and manufactured in compliance with the European safety directive in force and UL/ULC, therefore any installation, use and maintenance operations must be performed respecting the instructions contained in this manual.

Because an air dryer is pressurized and contains rotating parts, the same precautions should be observed as with any piece of machinery of this type where carelessness in operation or maintenance could be hazardous to personnel. In addition to obvious safety rules that should be followed with this type of machinery, safety precautions as listed below must be observed.



1. Only qualified personnel shall be permitted to adjust, perform maintenance or repair this air dryer.
2. Read all instructions completely before operating unit.
3. Pull main electrical disconnect switch and disconnect any separate control lines, if used, before attempting to work or perform maintenance on the unit.
4. Do not attempt to service any part while machine is in an operational mode.
5. Do not attempt to remove any parts without first relieving the entire air system of pressure.
6. Do not attempt to remove any part of the refrigeration system without removing and containing refrigerant in accordance with the EPA and local regulations.
7. Do not operate the dryer at pressures in excess of its rating.
8. Do not operate the dryer without guards, shields and screen in place.
9. Inspect unit daily to observe and correct any unsafe operating conditions.

2. INSTALLATION

2.1 ACCEPTANCE, UNPACKING AND HANDLING

Upon receiving your Ingersoll Rand air dryer, please inspect the unit closely. If rough handling is detected, please note it on your delivery receipt, especially if the dryer will not be uncrated immediately. Obtaining the delivery person's signed agreement to any noted damages will facilitate any insurance claims by the customer.

It is mandatory to keep the dryer always in vertical position, as indicated by the symbols present on the packaging. For handling, use devices having sufficient capacity for the weight of the machine.

Remove the packaging after having positioned the dryer in the installation site. Dispose the various packaging materials in compliance with the relevant rules locally in force.

If not in use, the dryer can be stored in its packaging in a dust free and protected site between 32°F (0°C) and 120 °F (50 °C), and a specific humidity not exceeding 90 %. Should the stocking time exceed 12 months, please contact your local Ingersoll Rand authorized distributor.

Under no circumstances should any person attempt to lift heavy objects without proper lifting equipment (i.e., crane, hoist, slings or fork truck). Lifting any unit without proper lifting equipment, may cause serious injury. Use fork lift channels where provided.

2.2 INSTALLATION SITE

While preparing a proper site for the installation of the dryer, please take into account the following requirements



- The machine must be protected from atmospheric agents and not directly exposed to sun light.
- A seating base flat and capable to hold the weight of the machine.
- Ambient temperature complying with the nominal data of the dryer.
- The dryer should be located in a clean area, without forced air draft that can affect the fan control system.
- Make sure to leave sufficient clearance (20 inches, 500 mm) around the dryer in order to allow an adequate cooling of the machine and for maintenance and/or control operations.



The incoming air must be free from smoke or flammable vapours which could lead to explosion or fire risks.

2.3 INSTALLATION

Before attempting any installation operation, make sure that



- **No parts of the air system are under pressure.**
- **No parts of the system are electrically powered.**
- **Tubing to be connected to the dryer are free of impurities.**
- **All interconnecting piping has been tightened.**



After having verified the points listed above, you can proceed to the installation of the machine.



1. Connect the dryer to the compressed air lines. If not already existing, we suggest to install a by-pass allowing to isolate the machine from the plant, thus to facilitate eventual maintenance operations.
2. Perform the electrical connection in accordance with any local laws and regulations after reviewing the dryer electrical specifications and wiring diagram.
3. Check the condensate drainage assembly, and connect the drain flexible hose to the draining line, keeping in mind that **the condensate separated by the dryer may contain oil, therefore, in order to dispose of it in compliance with the local rules in force, we suggest installing a water-oil separator having adequate capacity.**
4. Power the dryer after having checked that the nominal voltage and line frequency are constant and matching the nominal values of the machine. **The user must provide the installation with an adequate line protection and a ground terminal complying with the electrical rules locally in force.**



In order to optimise the use of the dryer, we suggest to place it in such a way that all the control instruments of the machine will result easily visible.

A suitably sized prefilter must be installed before the dryer. Failure to install and maintain a proper prefilter will void the dryer warranty. The rating for this filter must be at least 10 micron.

3. START UP

Ensure that the dryer is by-passed, or there is no load on the cooler.

Switch on the main electrical isolation switch (if present). The control panel will show the message OFF, indicating that the line and control voltages are available.

Start sequence

The dryer will initially start by pressing the local ON/OFF button for 1 second. The start sequence will progress only if there are no active alarms. The compressor motor will start AFTER 120 SECONDS. The fan motor will start simultaneously with the compressor for D300-360IN models, after 30 seconds for smaller models.

Stop sequence

The dryer can be stopped locally from the control panel. After having pressed the ON/OFF switch for 1 second, the compressor and the fan motor keep on running for further 10 seconds in order to re-balance the internal pressures. The dryer can be also stopped due to an alarm or energy saving condition (ESA or ES2). Any alarm will de-energize the compressor, fan motor can still running, it depends on the type of alarm (see Display indications chapter). If the shutdown is due to an alarm, a message will blink on display indicating the reason for the shutdown. Energy saving condition (ESA or ES2) occurs when the dew point stands below the set value for a long time in order to save energy and avoid heat exchanger freezing. This situation can happen when ambient temperature is low and there is no compressed air load.

Variable speed fan control

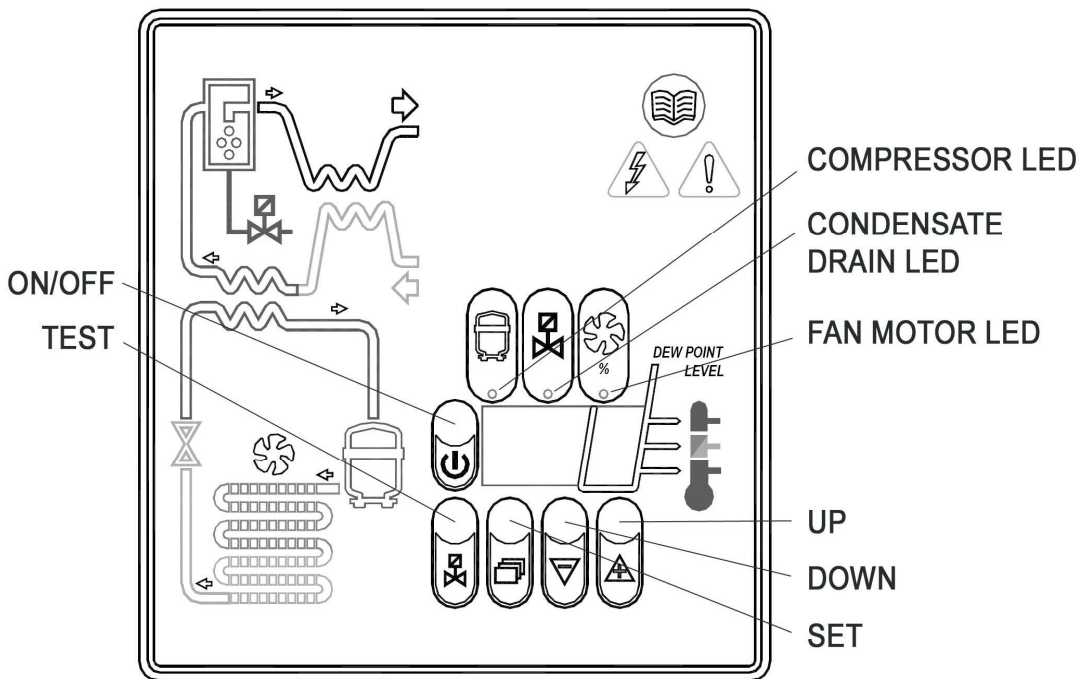
A patented microprocessor allows to adjust dryer's cooling capacity by changing the fan motor speed. If the dew point is greater than the set value, the fan speed is increased, if the dew point is smaller than the set value, the fan velocity is decreased. The range can be from 0 to 100% and the higher is the fan speed, the faster the fan LED blinks, you can read the exact value by pressing the UP button. If the velocity is 100% you will read FL (Full Load). Under load standard condition the fan speed is usually at 100%, if there is no load the fan velocity can oscillate between 0 and 20%.

In models D300-360IN, in order to adjust the greater dryer's cooling capacity, a hot gas by-pass valve cooperates with the variable speed system.

3.1 CONTROL PANEL

The dryers are provided with an electronic control system. All adjustments and resets can be performed by means of the digital panel located on the front of the dryer.

The control panel is composed of 5 keys (ON/OFF, TEST, SET, DOWN and UP) and a 3 digit display, with three signalling LEDs indicated by icons (PIC 1)



PIC. 1

DISPLAY VISUALIZATION AND SIGNALLING LEDES


DISPLAY	DESCRIPTION
	the unit is ON with low load
	the unit is ON with normal load
	the unit is ON with normal-high load
	the unit is ON with high load

LED	STATUS	DESCRIPTION
	ON	Compressor energized
	Blinking	Programming mode activated
	ON	Condensate drain energized
	ON	Speed of the fan = 100%
	Blinking	Speed of the fan < 100%
	OFF	Fan not running

3.1.1 KEYS FUNCTION

TEST: When pushed for 3 sec. during normal operation, it activates the condensate drain.

SET: When pushed and released during normal operation, it displays the dew point set value (decimal).
When pushed for 10 seconds, it allows to enter the C8 and C9 condensate drain parameters programming menu (see relevant table).
When pushed after having set new configuration values, it stores the applied modifications.

 **DOWN:** When pushed while setting the drain set point, it decreases the displayed value of one unit per second, during the first 10 seconds, than of one unit every 0,1 sec.
When pushed for 10 seconds during normal operation, it starts an automatic test cycle of the controller.

UP: When pushed while setting the drain set point, it increases the displayed value of one unit per second, during the first 10 seconds, than of one unit every 0,1 sec.




ON / OFF: Pushed for 1 second, it activates or deactivates the dryer. When the dryer is deactivated, the display shows OFF.

NOTE: when the controller is in the OFF position, some parts of the dryer may still be energized. Therefore, for safety purposes, disconnect the electrical power before performing any operation on the machine.

3.1.2 CONDENSATE DISCHARGE PARAMETERS PROGRAMMING



Push the SET key for 10 seconds to enter the parameters configuration menu: the display will show in sequence the set point value, the code of the first modifiable parameter (C8) and its value). Only if strictly necessary, use the UP and/or DOWN keys to change the displayed parameter value. Press the SET key to store the previously changed parameter value or to browse the parameters without changing them.
15 seconds after the last performed operation, the controller will return automatically to the normal operation mode.

	PARAMETER	DESCRIPTION	RANGE	DEFAULT SET VALUE		
	C8	Delay between condensate discharges	1 ÷ 999 (min)	1		
	C9	Time required for condensate discharge	1 ÷ 999 (sec)	D12-144IN-A	D180IN-A	D300-360IN-A
				1	2	3

NOTE: Changes entered for timing values will be effective only after exiting the programming, while changes to other variables will be immediately effective.

Please remember that eventual changes to the configuration parameters of the machine could negatively affect its efficiency. Thus, changes have to be performed by a person familiar with the operation of the dryer.

WARNING FOR USER:

IT'S FORBIDDEN TO ATTEMPT TO MODIFY THE OTHER CONFIGURATION PARAMETERS OF THE ELECTRONIC CONTROLLER WITHOUT AUTHORIZATION AND COLLABORATION OF INGERSOLL RAND'S AUTHORIZED DISTRIBUTOR.

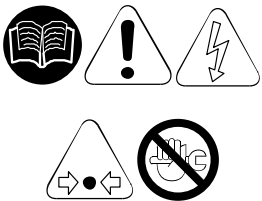
3.1.3 DISPLAY INDICATIONS

The controller is capable of recognizing certain types of anomalies in the drying circuit. In such cases, a message will blink on the display, alternated to the current dew point value.

MESSAGE (BLINKING)	CAUSE	OUTPUTS	ACTIONS
HtA	High dew point value (delayed alarm)	Alarm output ON Refrig. Compressor output OFF Fan output ON Drain cycle standard	Resettable by switching off the dryer. If problem persists call your local Ingersoll Rand distributor.
Ht2	Very high dew point value (immediate alarm)		
LtA	Low dew point value	Alarm output ON Refrig. Compressor output OFF Fan output OFF Drain cycle standard	Automatic reset when dew point returns to preset range. If problem persists call your local Ingersoll Rand distributor.
PF1	Interruption or short circuit on the PTC probe input line	Alarm output ON Refrig. Compressor output OFF Fan output OFF Drain cycle standard	Resettable by switching off the dryer. May require replacing the faulty probe. If problem persists call your local Ingersoll Rand distributor.
ESA	The automatic Energy saving mode activated due to low load	Alarm output OFF Refrig. Compressor output OFF Fan output OFF Drain cycle standard	No action necessary. Automatic Reset
ES2			
ASt	Activated after repeated alarms	Alarm output ON Refrig. Compressor output OFF Fan output ON Drain cycle standard	Call your local Ingersoll Rand distributor.

Note: PF1 has priority on all other messages.

3.1.4 REMOTE SIGNALING ALARM

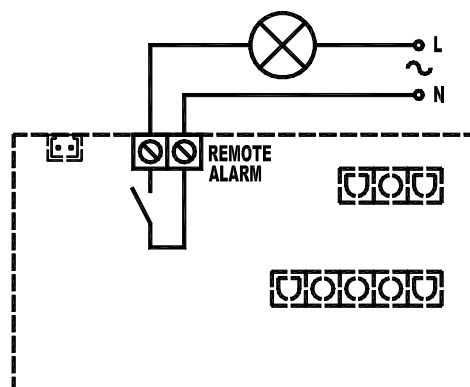


The dryer control board is equipped with a dry contact for a remote alarm signal. This is normally open contact: when an alarm is detected, this contact is closed.

Proceed as follows to activate a remote alarm output:

1. The User must review the diagram below.
2. Disconnect the dryer from electrical power supply, remove cover and left side panel.
3. Connect the alarm circuit to the terminal blocks (See PIC.2).
4. Replace cover, left side panel and reconnect power.

Alarm Output relays electric features:
Max. 250VAC / 3A – AC 15 (Amp. Inductive)



PIC.2

The activation of the above function is at the User's discretion. The User will purchase all necessary installation material. Any operation which needs access to the dryer must be carried out by qualified personnel.

3.2 BEFORE START UP



Before starting the machine, make sure that all operating parameters correspond to the nominal data. The dryer is supplied already tested and preset for normal operation, and it doesn't require any calibration. Nevertheless, it's necessary to check the operating performances during the first working hours.

3.3 START UP

The operations specified below must be performed after the first start up and at each start up after a prolonged inactive period of time due to maintenance operations, or any other reason.



1. Make sure that all instructions contained in chapters INSTALLATION SITE and INSTALLATION have been observed.
2. Ensure dryer by-pass is open and air inlet/outlet valves closed. (if existing).
3. Activate power supply and press the ON/OFF switch on the control panel for at least 1 second. (note there is a 2 minute delay before the dryer will start after the dryer is turned on).
4. Wait 5 to 10 minutes until machine has achieved its standard operating parameters.
5. Slowly open the air outlet valve and successively open the air inlet valve.
6. If existent, close the air by-pass valve.
7. Check if the condensate drain is working properly.
8. Check if all connecting pipes are properly tightened and fixed.

Before disconnecting the dryer from electrical power supply, use ON/OFF switch to stop the dryer. Otherwise wait 10 minutes before switching the dryer on again, in order to allow freon pressure to rebalance.

4. MAINTENANCE, TROUBLESHOOTING AND DECOMMISSIONING

4.1 MAINTENANCE

Before attempting any maintenance operation, make sure that:



1. **No parts of the system are under pressure.**
2. **No parts of the system are electrically powered.**

→ WEEKLY OR EVERY 40 HOURS OF OPERATION

- Verify the temperature on the control panel display is acceptable.
- Visually check if the condensate is drained regularly.

→ MONTHLY OR EVERY 200 HOURS OF OPERATION

- Clean the condenser with compressed air, taking care not to damage the condenser fins..
- At the end of the above mentioned operations, check if the dryer is working properly.
- Check the condition of any filters installed with the dryer. Replace elements as needed.

→ YEARLY OR EVERY 2000 HOURS OF OPERATION

- Check if the flexible tube used for condensate drainage is damaged and replace it if necessary.
- Check if all connecting pipes are properly tightened and fixed.
- At the end of the above mentioned operations, check if the dryer is working properly.

4.2 TROUBLESHOOTING

NOTE: FOLLOWING BEHAVIORS ARE NORMAL CHARACTERISTIC OF OPERATION AND NOT TROUBLES

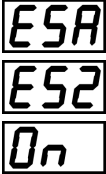


- Variable speed of the fan.
- Display of message ESA and ES2 in case of operation without load or low load.
- A 2 minute delay for dryer to start after pressing the on/off switch.



Troubleshooting and eventual control and/or maintenance operations must be performed by qualified personnel.

For maintaining the refrigerating circuit of the machine, contact a refrigeration engineer.

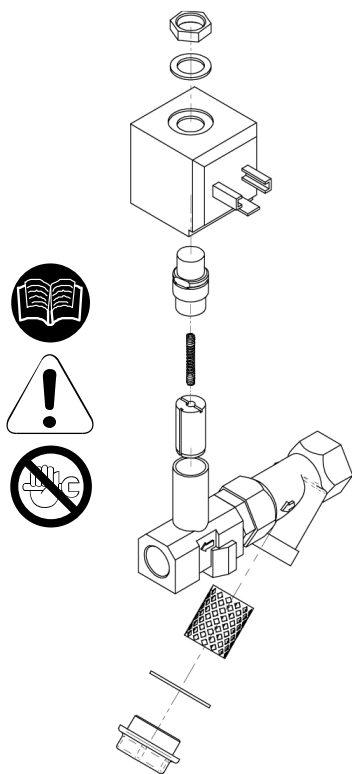
TROUBLE	DISPLAY	POSSIBLE CAUSE	REMEDY		
WATER IN THE SYSTEM	Control panel display is blank	No power in the line.	Restore the power in the line.		
		Problems with cabling.	Check cabling; if the trouble persists, replace it.		
		Problems with the electronic control board.	Check the electronic control board; if the trouble persists, replace it.		
	OFF	The dryer is off.	Turn it on by pressing the ON/OFF switch for 1 second.		
	On	Dryer in stand-by.	Wait 2 minutes after the dryer is switched on.		
		Compressed air inlet/outlet inverted.	Check if the compressed air inlet/outlet is connected properly.		
		The flow rate and/or temperature of the air entering the dryer are higher than the nominal values.	Restore the nominal conditions.		
		The ambient temperature is higher than the nominal values.	Restore the nominal conditions.		
		The condenser is dirty.	Clean the condenser.		
		Condensate drain is not functioning.	Clean the condensate drainage system pre-filter. (Pic.3)		
			Replace the coil of the drainage solenoid valve if burned.		
			Clean or replace the drainage solenoid valve if clogged/jammed.		
			Check the C8 and C9 parameters of the electronic control board; if the trouble persists, replace it.		
		The temperature control probe is positioned improperly or faulty.	Check the probe; if the trouble persists, replace it.		
	HtA	Problems with cabling or with the electronic control board.	Check the cabling and the electronic control board, if the trouble persists, replace them.		
		Activation of compressor's internal thermal protection.	Wait one hour and check again. If the fault persists: stop dryer and call your local Ingersoll Rand distributor.		
		Problems with the electrical components of the compressor.	Check the electrical components of the compressor.		
		Defective compressor.	Replace the compressor.		
		The flow rate and/or temperature of the air entering the dryer are higher than the nominal values.	Restore the nominal conditions.		
		The ambient temperature is higher than the nominal values.	Restore the nominal conditions.		
		Ht2	The condenser is dirty.	Clean the condenser.	
			The temperature control probe is positioned improperly or faulty.	Check the probe; if the trouble persists, replace it.	
		LEA	Fan pressure switch defective or burned out (if present).	Turn off the dryer and call your local Ingersoll Rand distributor.	
			ESA	High pressure switch defective or burned out (if present).	Turn off the dryer and call your local Ingersoll Rand distributor.
				Gas leakage in the refrigerating circuit.	Turn off the dryer and call your local Ingersoll Rand distributor.
			ES2	Defective fan.	Replace the fan.
				Protection fuse burned out (if present).	Replace the fuse.
	PF1		The temperature control probe is positioned improperly or faulty.	Check the probe; if the trouble persists, replace it.	
		ASL	Series of alarms very close to each other.	Call your local Ingersoll Rand distributor.	

TROUBLE	DISPLAY	POSSIBLE CAUSE	REMEDY
LOW PRESSURE IN THE LINE		Ice formation in the evaporator.	Check the probe; if the trouble persists, replace it.
			Check the electronic control board; if the trouble persists, replace it.
			Contact our Service Centre to check the gas charge.
		Clog.	Check if the compressed air inlet/outlet is connected properly.
			Check if the connecting tubing is clogged; in case proceed accordingly.
			Check if any valves are closed.
			Check the condition of any filter.
		Air flows continuously through the condensate drainage.	Drainage solenoid valve jammed, clean or replace it.
			Verify the condensate drainage times set on the electronic control board (C8 and C9).
			Check the signal from the control board: if it is continuous, replace the control board.

IMPORTANT:

The temperature control probe is extremely delicate. Do not remove the probe from its position. In case of any kind of problem, please contact your local Ingersoll Rand distributor

Pic.3



Pulizia dell'elettrovalvola di scarico condensa

Cleaning of the drain solenoid valve

Instandhaltung des ablass-elektroventiles

Nettoyage de la electrovanne de decharge

Limpieza de la valvula de descarga

4.3 DECOMMISSIONING



In case of necessity, decommission the machine and the relevant packaging **in compliance with the rules locally in force.**

Pay particular attention to the refrigerant, as it contains part of the refrigerating compressor lubricating oil.

Always contact a waste disposal and recycling facility.

PREAMBULE

Le présent manuel fait partie intégrante du séchoir que vous venez d'acheter et doit toujours accompagner la machine, même en cas de revente de cette dernière.

Il est indispensable que le personnel spécialisé* chargé des opérations d'installation, d'entretien et/ou de contrôle observe scrupuleusement les consignes données dans ce manuel ainsi que les normes de prévention et de sécurité en vigueur dans le pays d'utilisation. Telles sont les conditions pour un usage rationnel et une exploitation rentable de la machine.

En cas de problème avec votre séchoir, n'hésitez pas à consulter votre revendeur Ingersoll Rand local autorisé.

En cas de nécessité, à noter que l'utilisation de pièces détachées originales garantit l'efficacité et la longévité de votre séchoir.

En raison de l'évolution constante sur le plan technique, Ingersoll Rand se réserve le droit de modifier sans préavis les spécifications figurant dans le présent manuel.

SYMBOLES UTILISES DANS LE MANUEL ET SUR LE SECHOIR

	Point d'entrée de l'air.		Point de sortie de l'air.
	Lire le manuel des opérateurs avant la mise en service et avant toute intervention sur la machine.		Faire particulièrement attention: composant ou installation sous pression.
	Faire particulièrement attention aux indications précédées par ce symbole.		Faire particulièrement attention: surface chaude.
	Les opérations d'installation, d'entretien et/ou de contrôle précédées par ce symbole doivent être effectuées exclusivement par du personnel spécialisé*.		Faire particulièrement attention: risque de décharge électrique.
	Point d'évacuation des condensants.		Sens de rotation du moteur du ventilateur.
	Faire particulièrement attention: pièces mobiles	<p>ATTENTION - RISQUE D'ÉLECTROCUTION; DÉBRANCHEZ L'ALIMENTATION ÉLECTRIQUE AVANT TOUTE OPÉRATION</p> <p>ATTENTION - PIÈCES EN MOUVEMENT; NE PAS FAIRE FONCTIONNER AVEC LES PANNEAUX ENLEVÉS</p> <p>ATTENTION - PIÈCES CHAUDE; NE PAS FAIRE FONCTIONNER AVEC LES PANNEAUX ENLEVÉS</p>	
	Attention: n'effectuer aucune opération d'entretien sur cette machine sans avoir coupé l'alimentation électrique, avoir purgé complètement l'air sous pression et consulté le manuel des opérateurs.	<p>ATTENZIONE ATTENTION IMPORTANTE ACHTUNG</p> <p align="center">OGNI SETTIMANA ONCE A WEEK TOUTES LES SEMAINES CADA SEMANA WOCHENTLICH</p> <p align="center">IL CONDENSATORE VA PULITO CON UN GETTO DI ARIA COMPRESSA. THE CONDENSER MUST BE CLEANED BY BLOWING OUT WITH AIR. NETTOYER LE CONDENSEUR AVEC UN JET D'AIR COMPRIÈME. LIMPIAR EL CONDENSATOR CON AIRE COMPRIMIDO. DEN KONDENSATOR MIT EINEM DRUCKLUFTSTRAHL REINIGEN.</p>	

* Le personnel qualifié doit être formé et certifié conformément aux lois et aux règlements locaux.

GARANTIE

La société garantit que l'équipement qu'elle fabrique et qui est fourni ici est exempt de défauts matériels et de main-d'œuvre pour une durée de douze mois à compter de la date de mise en service de l'équipement ou de dix-huit mois à compter de la date d'expédition de l'usine, selon le premier terme arrivé à échéance. L'acheteur doit être obligé à signaler rapidement toute non-conformité à cette garantie, en écrivant à la société dans le délai susmentionné, sur quoi la société devra, à sa discrétion, corriger cette non-conformité en effectuant une réparation appropriée de cet équipement ou fournir une pièce de rechange F.A.B. au point d'expédition, à condition que l'acheteur ait stocké, installé, entretenu et utilisé cet équipement conformément aux bonnes pratiques du secteur et qu'il ait respecté les recommandations spécifiques de la société. Les accessoires ou l'équipement fourni par la société, mais fabriqué par des tiers, doit reporter toutes les garanties que les fabricants ont transmises à la société et qui peuvent être transmises à l'acheteur. La société ne peut être tenue responsable des réparations, remplacements ou ajustement de l'équipement ou de tout coût de main-d'œuvre soutenu par l'acheteur ou des tiers pour sans l'accord écrit préalable de la société.

Les effets de corrosion, érosion et l'usure normale sont spécifiquement exclus. Les garanties de performance se limitent à celles spécifiquement mentionnées dans la proposition de la société. Les obligations de la société doivent être de corriger de la façon et durant la période indiquée ci-dessus sauf si la responsabilité d'obtention de ces garanties de performance est limitée aux tests spécifiés.

LA SOCIÉTÉ N'ACCORDE AUCUNE AUTRE GARANTIE OU REPRÉSENTATION D'AUCUNE SORTE, EXPLICITE OU IMPLICITE, A L'EXCEPTION DE LA GARANTIE EN OBJET ET TOUTES LES GARANTIES IMPLICITES DE QUALITÉ MARCHANDE ET D'APTITUDE A UNE UTILISATION SPÉCIFIQUE, SONT PAR CONSÉQUENT REFUSÉES.

La correction par la société des non-conformités évidentes ou cachées, de la façon et pour la période de temps indiquées ci-dessus, doit constituer l'accomplissement de toutes les responsabilités de la société pour ces non-conformités qu'elles soient basées sur contrat, négligence de garantie, indemnité, responsabilité stricte ou en rapport avec ou provenant de cet équipement.

L'acheteur ne doit pas utiliser l'équipement s'il est considéré comme défectueux sans avoir préalablement averti la société par écrit de son intention. Une telle utilisation de l'équipement s'effectue sous la seule responsabilité de l'acheteur.

Veuillez noter qu'il s'agit d'une garantie standard d'Ingersoll Rand. Toute garantie en vigueur au moment de l'achat de l'équipement ou négociée en tant que partie de l'achat possède la priorité sur cette garantie.

1. INFORMATIONS GENERALES

1.1 DESCRIPTION FONCTIONNELLE

Les séchoirs à air Ingersoll Rand éliminent l'humidité de l'air comprimé. L'humidité nuit aux appareils, commandes, instruments, machines et outils à actionnement pneumatique.

L'air comprimé entre dans l'échangeur de chaleur breveté en aluminium dans lequel il est refroidi en deux étapes jusqu'à ce que la température de l'air atteigne son point de condensation: dans le premier secteur air-air, l'air comprimé entrant est refroidi grâce au contre-courant d'air froid comprimé provenant du séparateur de condensat. Dans le deuxième secteur air-air réfrigérant, la température de l'air comprimé est de nouveau abaissée jusqu'à l'obtention de la température de point de condensation. Durant ces deux étapes, la quasi totalité de la vapeur d'eau et d'huile contenue dans l'air comprimé s'est condensée en liquide et a été ensuite séparée de l'air comprimé dans le séparateur de condensat pour enfin être rejetée par l'évacuation automatique. A ce stade, l'air refroidi obtenu entre de nouveau à contre courant dans l'échangeur air-air initial et est réchauffé par l'air chaud entrant, provoquant ainsi une récupération d'énergie et une réduction de l'humidité ambiante contenue dans l'air sortant.

Ce séchoir peut être facilement installé dans différents systèmes pneumatiques qui nécessitent de l'air sec. Veuillez vous référer aux principes de fonctionnement pour obtenir tous les détails sur le fonctionnement.

Le séchoir est déjà équipé de tous les dispositifs de contrôle, de sécurité et de réglage. Il n'a donc pas besoin de dispositifs auxiliaires.

Une surcharge de l'installation dans les limites d'utilisation maximum entraîne une diminution des prestations du séchoir (point de rosée élevé) mais ne nuit pas à la sécurité.

Le circuit électrique (annexe B) a un degré de protection minimum IP 42.

Merci de noter que une mise à terre incorrecte peut provoquer des chocs électriques et causer pourtant décès et blessures graves.

Les séchoirs doivent être raccordés à un système de câblage à terre, en métal et permanent, ou au équipement des bornes à terre, ou au conducteur isolé du séchoir..

Toutes opérations de mise à terre doivent être remplies par électriciens compétents conformément aux lois nationaux et locales. Dans le cas de court-circuit, la mise à terre réduit le risqué de choc électrique permettant l'échappement du courant.

La mise à terre doit être effectuée par câble dénudé à terre conformément aux voltage et qualités requise minimales du branche du circuit.

S'assurer que les éléments métalliques dénudés soient raccordés aux points de mise à terre, vérifier que les connexions soient propres et fermes.

Vérifier les connexions à terre après la première installation et effectuer les vérifications périodiques à fin d'assurer que le contact et la continuité soient gardés.

Si les indications de mise à terre ne sont pas claires ou s'il y a des doutes sur la propriété de la mise à terre du produit, consulter un électricien compétent ou un technicien du service .



1.2 UTILISATION DU SECHOIR EN TOUTE SECURITE

Cette installation a été conçue et réalisée conformément aux directives européennes en vigueur. En conséquence de quoi, toutes les opérations d'installation, d'utilisation et d'entretien doivent être effectuées conformément aux consignes données dans le présent manuel.

Le séchoir d'air est sous pression et contient des pièces rotatives. Il faut donc prendre les mêmes précautions que pour une machine du même genre pour laquelle une négligence lors de l'utilisation ou de l'entretien peut être dangereuse pour le personnel. Les précautions de sécurité ci-dessous doivent être observées en plus des règles de sécurité évidentes qui doivent être respectées avec ce type de machine.

1. Seul le personnel qualifié doit être autorisé à ajuster, effectuer l'entretien ou réparer ce séchoir d'air.
2. Lisez intégralement les instructions avant d'utiliser cet appareil.
3. Tirez l'interrupteur de déconnexion électrique et débranchez toutes les lignes de commande séparées, le cas échéant, avant de travailler ou d'effectuer l'entretien sur l'appareil.
4. N'essayez jamais de réparer une pièce de la machine si cette dernière est en fonction.
5. N'essayez jamais de retirer une pièce sans avoir au préalable purgé l'air du système de pression.
6. N'essayez jamais de retirer une pièce du système de réfrigération sans avoir retiré et stocké le frigorigène conformément aux règlements locaux et de l'APE.
7. N'utilisez pas le séchoir à une pression dépassant la pression nominale.
8. N'utilisez pas le séchoir si toutes les protections ne sont pas en place.
9. Inspectez l'appareil tous les jours afin de vérifier et de corriger toute condition de fonctionnement dangereuse.



2. INSTALLATION

2.1 RECEPTION ET TRANSPORT

Lors de la réception de votre séchoir d'air Ingersoll Rand, veuillez vérifier attentivement l'appareil. Si vous remarquez des signes de manutention brusque, veuillez les noter sur le bordereau de livraison, en particulier si le séchoir n'est pas déballé immédiatement. L'obtention de la signature du livreur pour convenir des dommages remarqués facilitera toute demande d'assurance par le client.

Il est indispensable de maintenir le séchoir toujours en position verticale comme indiqué par les symboles sur l'emballage et de le déplacer avec un dispositif ayant une portée suffisante pour le poids de la machine.

Déballer le séchoir après l'avoir déposé sur le lieu d'installation. Il est conseillé de conserver l'emballage original pendant au moins toute la durée de la garantie de la machine ; A noter toutefois que l'élimination de chaque matériau d'emballage doit être effectuée conformément à la réglementation en vigueur dans le pays d'utilisation.

Si le séchoir n'est utilisé pas dans l'immédiat, il peut être entreposé emballé dans un lieu fermé, non poussiéreux, à une température entre 32°F et 120°F et une humidité inférieure à 90 %. Si le stockage doit durer pendant plus de 12 mois, contacter votre revendeur Ingersoll Rand local autorisé.

Il ne faut en aucun cas tenter de soulever des objets lourds sans un équipement de levage approprié (grue, palan, élingue ou chariot à fourches). Le levage de tout appareil sans un équipement de levage approprié peut entraîner de graves blessures. Utilisez les glissières pour chariot à fourches le cas échéant.

2.2 LIEU D'INSTALLATION

Il est nécessaire de préparer le lieu d'installation du séchoir en tenant compte des critères suivants :



- La machine devra être protégée contre les agents atmosphériques et contre la lumière directe du soleil.
- Base d'appui plat et en mesure de supporter le poids de la machine.
- Température ambiante conforme aux données figurant sur la plaque du séchoir.
- Le séchoir doit être placé dans un lieu propre, sans installation de ventilation forcée pouvant affecter le système de commande du ventilateur.
- Garantir suffisamment d'espace libre autour du séchoir (20 inches, 500 mm) pour permettre le refroidissement correct de la machine et pour les opérations d'entretien et/ou de contrôle.



L'air aspiré doit être exempt de fumées ou de vapeurs inflammables susceptibles d'entraîner un risque d'explosion ou d'incendie.

2.3 INSTALLATION

Avant toute opération d'installation, s'assurer que :

- **L'installation ne présente par de parties sous pression.**
- **L'installation ne présente pas de parties sous tension.**
- **Les conduites à raccorder le séchoir sont exemptes d'impuretés.**
- **Toutes les tuyauteries raccordées ont été serrées.**



Après avoir vérifié les points ci-dessus, il est possible de procéder à l'installation de la machine :

1. Raccorder le séchoir à la ligne d'air comprimé. L'installation d'un groupe by-pass est conseillée (s'il est absent) car il permet d'isoler la machine de l'installation pour faciliter d'éventuelles opérations d'entretien.
2. Effectuez les branchements électriques conformément aux lois et aux règlements locaux après avoir consulté les spécifications électriques et le schéma de câblage du séchoir.
3. Vérifier le groupe de purge des condensants et raccorder le flexible d'évacuation à la ligne de drainage en se rappelant du fait que **les condensants séparés du séchoir contiennent des particules d'huile ; Pour les éliminer conformément à la réglementation en vigueur dans le pays d'utilisation, il est par conséquent conseillé d'installer un séparateur eau-huile d'une capacité appropriée.**
4. Alimenter le séchoir après s'être assuré que la tension de référence et la fréquence du réseau électrique sont constantes et correspondent aux spécifications de référence de la machine. **C'est à l'utilisateur qu'il revient d'équiper l'installation d'un dispositif de protection de ligne et de prise de terre conforme à la réglementation électrique en vigueur dans le pays d'utilisation.**



Pour optimiser l'utilisation du séchoir, il est conseillé de l'orienter de façon à ce que tous les instruments de contrôle de la machine soient facilement lisibles.

Un filtre correctement dimensionné doit être installé avant le séchoir. L'absence d'installation ou d'entretien d'un filtre correct annule la garantie. Les mailles de ce filtre doivent être d'au moins 10 microns.

3. MISE EN SERVICE

S'assurer que le sécheur est activé, et que le refroidisseur n'est pas en condition de travail.

Activer le commutateur sur la commande d'isolation électrique principale (si présent). Le panneau de commande affichera le message OFF, indiquant que la tension de ligne et de contrôle est activée.

Séquence de démarrage

Le sécheur devra tout d'abord être mis en marche en pressant le bouton ON/OFF situé sur celui-ci pendant 1 seconde. La séquence de démarrage ne continuera qu'en cas d'absence de toute alarme active. Le moteur du compresseur se mettra en marche APRES 120 SECONDES. Concernant les modèles D300-360IN, le moteur du ventilateur et le compresseur démarreront simultanément, alors qu'il faudra compter 30 secondes entre les deux démarrages pour les plus petits modèles.

Séquence d'arrêt

Le sécheur peut être arrêté localement à partir du panneau de commande. Après avoir pressé le bouton ON/OFF pendant 1 seconde, le compresseur et le moteur du ventilateur vont continuer à fonctionner pendant encore 10 secondes de façon à rééquilibrer la pression interne. Le sécheur peut être également arrêté en raison d'une alarme ou d'une condition de conservation d'énergie (ESA ou ES2). N'importe quelle alarme entraînera la coupure de l'alimentation électrique du compresseur, il est possible que le moteur du ventilateur continue à fonctionner en fonction du type d'alarme (voir le Chapitre des indications de l'écran). Si l'interruption est due à une alarme, un message clignotera sur l'écran en indiquant la raison de l'arrêt. Une condition de conservation d'énergie (ESA ou ES2) se produit lorsque le point de condensation reste en dessous de la valeur de réglage pendant une longue période de façon à conserver l'énergie et à éviter que l'échangeur de chaleur ne gèle. Cette situation peut survenir lorsque la température ambiante est basse et qu'il n'y a pas de traitement d'air comprimé.

Commande de variation de vitesse du ventilateur

Un microprocesseur breveté permet d'ajuster la capacité de refroidissement du sécheur en variant la vitesse du moteur du ventilateur. Si le point de condensation est plus élevé que la valeur de réglage, la vitesse de ventilation augmente, en revanche, si le point de condensation est plus bas, la vitesse de ventilation diminue. Le niveau de vitesse peut aller de 0 à 100%, et la vitesse de clignotement de la LED correspond à celle du ventilateur, il est possible de lire la valeur exacte en pressant le bouton HAUT. Si la vitesse est à 100%, le message FL ("Full Load", Pleine charge) s'affichera. En condition standard de travail, la vitesse de ventilation est habituellement à 100%, en cas d'absence de travail, la vitesse de ventilation peut varier entre 0 et 20%. Dans les modèles D300-360IN, une soupape de dérivation de gaz chaud fonctionne en collaboration avec le système de variation de vitesse.

3.1 PUPITRE DE COMMANDE

Les machines faisant partie de cette série sont équipées d'un système électronique de modification des paramètres ; Les éventuelles opérations de réinitialisation peuvent en effet être effectuées à l'aide du pupitre numérique se trouvant sur la façade du séchoir.

Le pupitre de commande se compose de 5 touches (ON/OFF, TEST, SET, DOWN et UP) et par un afficheur à 3 chiffres avec trois diodes électroluminescentes de signalisation indiquées par icônes (Fig. 1)

Le bon fonctionnement de la machine peut être contrôlé à l'aide du pupitre de commande illustré ci-dessous.

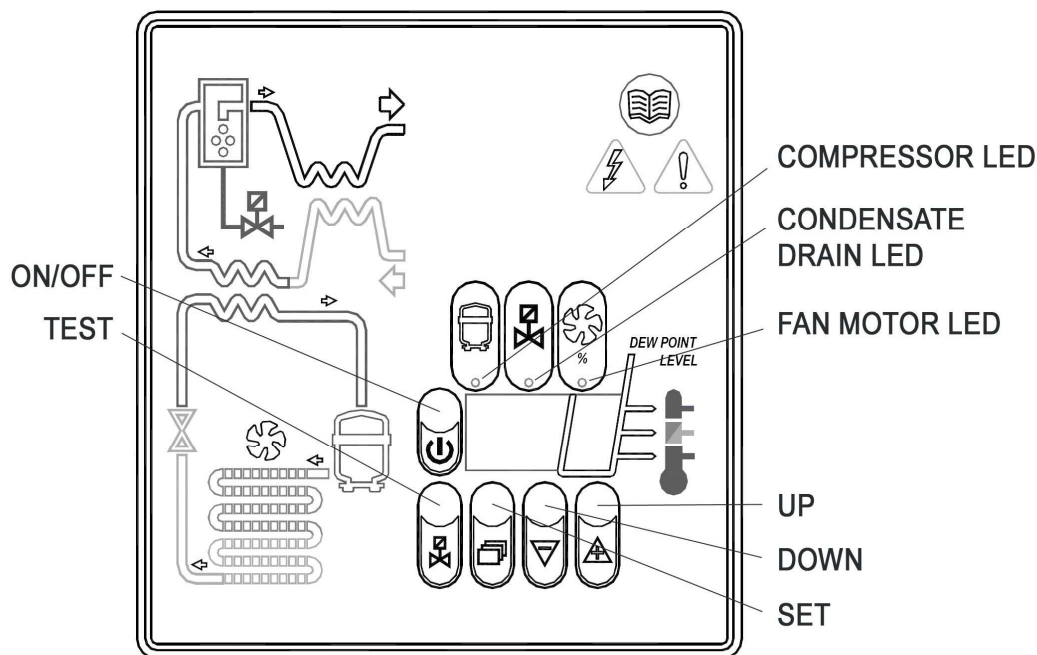


Fig. 1

ECRAN D AFFICHAGE ET DIODES ELECTROLUMINESCENTES DE SIGNALISATION

DISPLAY	DESCRIPTION
	Indique que le sécheur est en marche à faible charge
	Indique que le sécheur est en marche à charge normale
	Indique que le sécheur est en marche à charge moyenne;
	Indique que le sécheur est en marche à pleine charge

LED	STATUS	DESCRIPTION
	Allumée	Compresseur active
	Clignotant	Modalité programmation
	Allumée	Purge de condensants active
	Allumée	Vitesse ventilateur = 100%
	Clignotant	Vitesse ventilateur < 100%
	Eteint	Ventilateur ne pas courir

3.1.1 FONCTION DES TOUCHES

TEST: Lorsqu'on appuie dessus pendant 3 secondes lors du fonctionnement normal, elle permet d'activer un cycle de purge des condensants.

SET: Si l'on appuie dessus pendant le fonctionnement normal, elle affiche la valeur du point de consigne. Maintenu sous pression pendant 10 secondes, elle permet l'accès au menu de programmation des paramètres (Voir le tableau correspondant).

Si l'on appuie dessus après avoir programmé de nouvelles valeurs de configuration et du point de consigne, elle mémorise les variations apportées.



DOWN: Si l'on appuie dessus pendant le paramétrage du point de consigne ou des paramètres de configuration, elle diminue la valeur affichée sur l'afficheur d'une unité par seconde, pendant les 10 premières secondes de pression, et ensuite d'une unité toutes les 0,1 secondes.

Si l'on appuie dessus pendant 10 secondes pendant le fonctionnement normal, elle fait démarrer le cycle de test automatique du contrôleur.

UP: Si l'on appuie dessus pendant le paramétrage du point de consigne ou des paramètres de configuration, elle augmente la valeur affichée sur l'afficheur d'une unité par seconde, pendant les 10 premières secondes de pression, et ensuite d'une unité toutes les 0,1 secondes.

ON / OFF: Appuyer sur la touche pendant 1 seconde active ou désactive le processus. Lorsque le processus est désactivé, l'afficheur affiche le message OFF.

ATTENTION: lorsque la carte électronique indique OFF, plusieurs composants du sécheur restent sous tension. Donc, pour des raisons de sécurité, il est impératif de couper l'alimentation électrique du sécheur avant toute opération sur celui-ci.

3.1.2 CONTROLE ET MODIFICATION DES PARAMETRES DE CONFIGURATION



Appuyer sur SET pendant 10 secondes pour l'entrée dans le menu de programmation des paramètres : l'afficheur affiche dans l'ordre la valeur du point de consigne, le code du premier paramètre modifiable E1 et sa valeur.






Utiliser les touches UP et/ou DOWN pour modifier, seulement si cela est strictement nécessaire, la valeur du paramètre affiché.



Appuyer sur la touche SET pour mémoriser la valeur du paramètre préalablement modifié ou pour faire défiler les paramètres sans les modifier.

Passé un laps de temps de 15 secondes après la dernière opération effectuée, le contrôleur se remet automatiquement en mode de fonctionnement normal.

	PARAMETRE	DESCRIPTION	PLAGE	VALEUR REGLEE		
		C8	Retard entre les purges de condensants	1 ÷ 999 (min)	1	
	C9	Durée de purge des condensants	1 ÷ 999 (sec)	D12-144IN-A	D180IN-A	D300-360IN-A
				1	2	3

AVERTISSEMENT POUR L'UTILISATEUR :

IL EST INTERDIT DE MODIFIER LES PARAMETRES DE CONFIGURATION RESTANTS DU CONTROLEUR ELECTRONIQUE SANS L'AUTORISATION DU FOURNISSEUR.

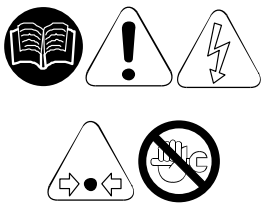
3.1.3 SIGNALISATION D'ANOMALIES

Le contrôleur est en mesure de reconnaître des types d'anomalies déterminés du circuit de séchage qui entraîne l'affichage d'un message d'alarme clignotant sur l'écran alterné à la valeur courante du point de condensation.

MESSAGE (CLIGNOTANT)	CAUSE	SORTIES	ACTIONS
HtA	Point de condensation élevé (alarme retardée)	Sortie alarme active Sortie compresseur inactive Sortie ventilateur active Sortie évacuation standard	Réinitialisation par extinction de la centrale lorsque le point de condensation rentre dans la plage préprogrammée. Si le problème persiste, contacter votre revendeur Ingersoll Rand local autorisé.
Ht2	Point de condensation très élevé (alarme immédiate)		
LtA	Point de condensation bas	Sortie alarme active Sortie compresseur inactive Sortie ventilateur inactive Sortie évacuation standard	Réinitialisation automatique si le point de condensation rentre dans la plage préprogrammée. Si le problème persiste, contacter votre revendeur Ingersoll Rand local autorisé.
PF1	Interruption ou court-circuit de la ligne d'entrée de la sonde PTC	Sortie alarme active Sortie compresseur inactive Sortie ventilateur inactive Sortie évacuation standard	Réinitialisation après remplacement de la sonde et extinction de la centrale. Contacter le votre revendeur Ingersoll Rand local autorisé.
ESA	Option d'économie d'énergie active	Sortie alarme active Sortie compresseur inactive Sortie ventilateur inactive Sortie évacuation standard	Aucune réinitialisation automatique.
ES2			
ASt	Série d'alarme proche les unes des autres	Sortie alarme active Sortie compresseur inactive Sortie ventilateur active Sortie évacuation standard	Contactez le votre revendeur Ingersoll Rand local autorisé.

REMARQUE : PF1 a la priorité sur tous les autres messages d'alarme.

3.1.4 SIGNALISATION D'ALARME À DISTANCE



La centrale du séchoir est dotée d'une sortie numérique pour la signalisation à distance de conditions d'alarme détectées. La sortie est commandée par un relais qui, en présence d'une alarme, ferme le circuit.

Intervenir comme suit afin de prédisposer un avertisseur d'alarme à distance :

1. Se procurer un avertisseur conforme aux caractéristiques électriques de la sortie (bobine, lampe, sirène, etc.).
2. Débrancher le séchoir de l'alimentation, relever le couvercle ainsi que le tableau latéral.
3. Brancher l'avertisseur aux bornes indiquées à la fig.2
4. Remettez le couvercle et le panneau latéral gauche en place et rebranchez l'alimentation.

Caractéristiques de la sortie de l'alarme :

Max. 250VAC / 3A – c.a 15 (inductifs)

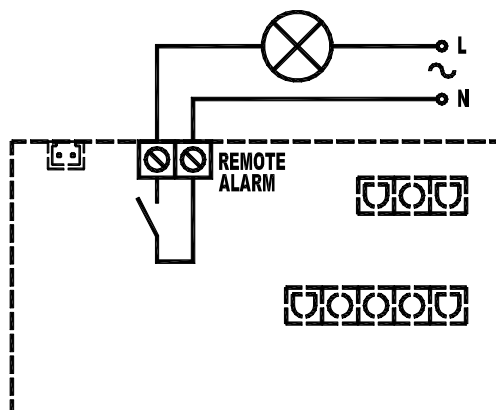


fig.2

L'activation de cette fonction est à discrétion de l'utilisateur qui devra fournir le matériel nécessaire de façon autonome. Les opérations d'installation devront être effectuées par un personnel qualifié.

3.2 OPERATIONS PRELIMINAIRES A LA MISE EN MARCHÉ



Avant de mettre la machine en service, s'assurer que tous les paramètres de fonctionnement sont conformes aux spécifications de référence.



Le séchoir est fourni déjà testé et préréglé pour un fonctionnement normal et n'a besoin, par conséquent, d'aucun étalonnage ; il convient toutefois de vérifier son bon fonctionnement pendant les premières heures de travail.

3.3 MISE EN MARCHÉ

Les opérations ci-dessous doivent être effectuées lors de la première mise en marche et à chaque remise en marche après un arrêt prolongé de la machine.



1. Vérifier que toutes les consignes des chapitres LIEU D'INSTALLATION et INSTALLATION ont bien été observées.
2. Vérifier que le by-pass (si présent) n'est pas ouvert.
3. Pour enclencher l'alimentation électrique, appuyer le bouton lumineux ON/OFF pendant 1 seconde au moins sur le système de commande (veuillez noter qu'il y a un délai de 2 minutes avant le démarrage du séchoir une fois qu'il est mis en marche).
4. Attendre 5 à 10 minutes, jusqu'à ce que la machine ait atteint ses paramètres de fonctionnement standard.
5. Ouvrir lentement la soupape de sortie de l'air et ensuite, toujours lentement, celle d'entrée de l'air.
6. Fermer le by-pass (si présent).
7. Vérifier le bon fonctionnement du système de purge des condensants.
8. Vérifier le bon serrage et la fixation de toutes les conduites de raccordement.

Avant de couper l'alimentation électrique, arrêter le sécheur à l'aide de la touche ON/OFF (MARCHÉ/ARRÉT) sinon, attendre 10 minutes avant de rallumer le sécheur pour permettre un rééquilibrage des pressions.

4. ENTRETIEN, RECHERCHE DES PANNES ET DEMANTELEMENT

4.1 ENTRETIEN

Avant d'effectuer toute opération d'entretien, s'assurer que :

1. **L'installation n'a pas de parties sous pression.**
2. **L'installation n'a pas de parties sous tension.**



→ UNE FOIS PAR SEMAINE OU TOUTES LES 40 HEURES DE FONCTIONNEMENT

- Vérifiez la température sur l'affichage du panneau de commande est acceptable.
- S'assurer visuellement que les condensants sont bien évacués.



→ UNE FOIS PAR MOIS OU TOUTES LES 200 HEURES DE FONCTIONNEMENT

- Nettoyer le condenseur avec un jet d'air comprimé en faisant attention à ne pas détériorer les ailettes en aluminium de la batterie de refroidissement.
- Nettoyer le préfiltre du système de purge des condensants de façon à éliminer les éventuelles impuretés s'étant déposées sur la grille interne. Faire particulièrement attention lors du remontage.
- Vérifiez les conditions de tous les filtres installés avec le séchoir. Remplacez les éléments au besoin



→ UNE FOIS PAR AN ET TOUTES LES 2000 HEURES DE FONCTIONNEMENT

- S'assurer du bon état du flexible d'évacuation des condensants et le remplacer éventuellement.
- Vérifier le bon serrage et la bonne fixation de toutes les conduites de raccordement.
- Vérifier le bon fonctionnement du séchoir après avoir terminé les opérations précitées.



4.2 RECHERCHE DES PANNES

NOTE: LES AFFICHAGES SUIVANTS SONT LIES AU BON FONCTIONNEMENT DU SECHEUR. IL NE S'AGIT PAS DE DEFAULTS.

- Clignotement de la sortie ventilateur, le ventilateur fonctionne à vitesse variable.
- Affichage de ESA et ES2 si le sécheur n'est pas sollicité.
- Le démarrage du séchoir s'effectue au bout de 2 minutes après l'appui sur l'interrupteur marche/arrêt.



A recherche des pannes et les éventuelles interventions de contrôle et/ou d'entretien doivent être effectuées par du personnel spécialisé.

Contactez un technicien frigoriste pour toute intervention sur le circuit frigorifique de la machine.

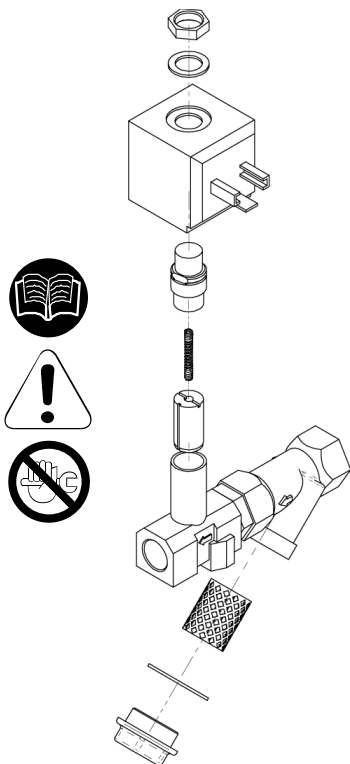
PROBLÈME	AFFICHAGE	CAUSE POSSIBLE	REMÈDE	
EAU DANS LE SYSTÈME	L'afficheur du panneau de commande est vide	Pas d'alimentation sur la ligne.	Rétablissez l'alimentation de la ligne.	
		Problème de câblage.	Vérifiez le câblage et remplacez-le si le problème persiste.	
		Problème avec la carte de commande électronique.	Vérifiez la carte de commande électronique et remplacez-la si le problème persiste.	
	OFF	Le séchoir est arrêté.	Mettez-le en marche en appuyant sur l'interrupteur MARCHE/ARRÊT pendant 1 seconde.	
	On	Le séchoir est en veille.	Attendez 2 minutes après avoir mis en marche le séchoir.	
		L'entrée et la sortie de l'air comprimé sont inversées.	Vérifiez que l'entrée et la sortie de l'air comprimé sont branchées correctement.	
		Le débit ou la température de l'air entrant dans le séchoir sont supérieurs aux valeurs nominales.	Rétablissez les conditions nominales.	
		La température ambiante est supérieure à la valeur nominale.	Rétablissez les conditions nominales.	
		Le condenseur est sale.	Nettoyez le condenseur.	
		L'évacuation de la condensation ne fonctionne pas.	Nettoyez le filtre du système d'évacuation de la condensation (Fig.3)	Remplacez la bobine de l'électrovanne de l'évacuation si elle est grillée.
			Nettoyez ou remplacez l'électrovanne de l'évacuation si elle est engorgée/bloquée.	Vérifiez les paramètres C8 et C9 de la carte de commande électronique et remplacez la carte de commande si le problème persiste.
			Vérifiez les paramètres C8 et C9 de la carte de commande électronique et remplacez la carte de commande si le problème persiste.	
		La sonde de contrôle de température est mal positionnée ou défectueuse.	Vérifiez la sonde et remplacez-la si le problème persiste.	
		HtA Ht2	Problème de câblage ou avec la carte de commande électronique.	Vérifiez le câblage et la carte de commande électronique, remplacez-les si le problème persiste.
	Activation de la protection thermique interne du compresseur.		Attendez une heure, puis vérifiez à nouveau. Si la panne persiste, arrêtez le séchoir et contactez votre revendeur Ingersoll Rand local.	
	Problème avec les composants électriques du compresseur.		Vérifiez les composants électriques du compresseur.	
	Compresseur défectueux.		Remplacez le compresseur.	
	Le débit ou la température de l'air entrant dans le séchoir sont supérieurs aux valeurs nominales.		Rétablissez les conditions nominales.	
	La température ambiante est supérieure à la valeur nominale.		Rétablissez les conditions nominales.	
	Le condenseur est sale.		Nettoyez le condenseur.	
	La sonde de contrôle de température est mal positionnée ou défectueuse.		Vérifiez la sonde et remplacez-la si le problème persiste.	
	Pressostat du ventilateur défectueux ou grillé (si présent).		Arrêtez le séchoir et contactez votre revendeur Ingersoll Rand local.	
	Pressostat de haute pression défectueux ou grillé (si présent).		Arrêtez le séchoir et contactez votre revendeur Ingersoll Rand local.	
	Fuite de gaz dans le circuit réfrigérant.		Arrêtez le séchoir et contactez votre revendeur Ingersoll Rand local.	
	Ventilateur défectueux.		Remplacez le ventilateur.	
	Fusible de protection grillé (si présent).		Remplacez le fusible.	
	LtA ESA ES2	La sonde de contrôle de température est mal positionnée ou défectueuse.	Vérifiez la sonde et remplacez-la si le problème persiste.	
		Fuite de gaz dans le circuit réfrigérant sans charge.	Arrêtez le séchoir et contactez votre revendeur Ingersoll Rand local.	
	PF1	La sonde de contrôle de température est mal positionnée ou défectueuse.	Vérifiez la sonde et remplacez-la si le problème persiste.	
	ASL	Série d'alarmes très proche les unes des autres.	Contactez votre revendeur Ingersoll Rand local.	

PROBLÈME	AFFICHAGE	CAUSE POSSIBLE	REMÈDE
PRESSION FAIBLE DANS LA LIGNE		Formation de givre dans l'évaporateur.	Vérifiez la sonde et remplacez-la si le problème persiste.
			Vérifiez la carte de commande électronique et remplacez-la si le problème persiste.
			Contactez notre service après-vente pour vérifier la charge de gaz.
		Engorgement.	Vérifiez que l'entrée et la sortie de l'air comprimé sont branchées correctement.
			Contrôlez si le tuyau de raccordement est engorgé et agissez en conséquence si c'est le cas.
			Vérifiez l'ouverture des robinets.
		L'air s'écoule en permanence à travers l'évacuation de la condensation.	Vérifiez les conditions des filtres.
			Électrovanne d'évacuation bloquée. Nettoyez-la ou remplacez-la.
			Vérifiez les temps d'évacuation de la condensation réglés sur la carte de commande électronique (C8 et C9).
			Vérifiez le signal provenant de la carte de commande : s'il est continu, remplacez la carte de commande.

IMPORTANT :

La sonde de température est extrêmement fragile. Ne pas détacher ou enlever la sonde de son siège. Pour tout problème, contacter de toute urgence le votre revendeur Ingersoll Rand local autorisé.

fig.3



Pulizia dell'elettrovalvola di scarico condensa

Cleaning of the drain solenoid valve

Instandhaltung des ablass-elektroventiles

Nettoyage de la electrovanne de decharge

Limpieza de la valvula de descarga

4.3 DEMANTELEMENT



En cas de nécessité, éliminer la machine et son emballage **conformément aux réglementations en vigueur dans le pays d'utilisation.**

Faire particulièrement attention au réfrigérant car il contient de l'huile lubrifiante du compresseur frigorifique.

Dans tous les cas, toujours d'adresser aux organismes chargés de l'élimination et du recyclage des déchets.

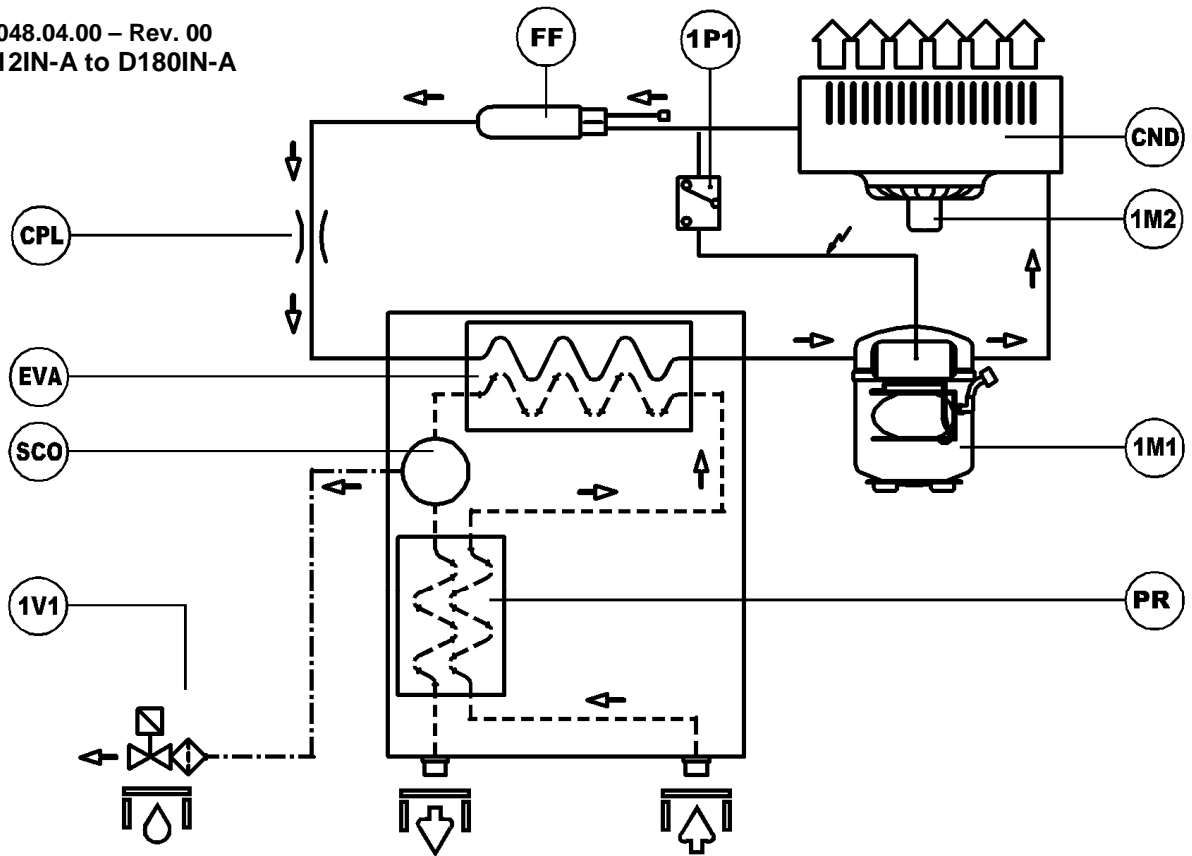
ATTACHMENTS TO THIS MANUAL - ANNEXES AU MANUEL

Legend - Légende:

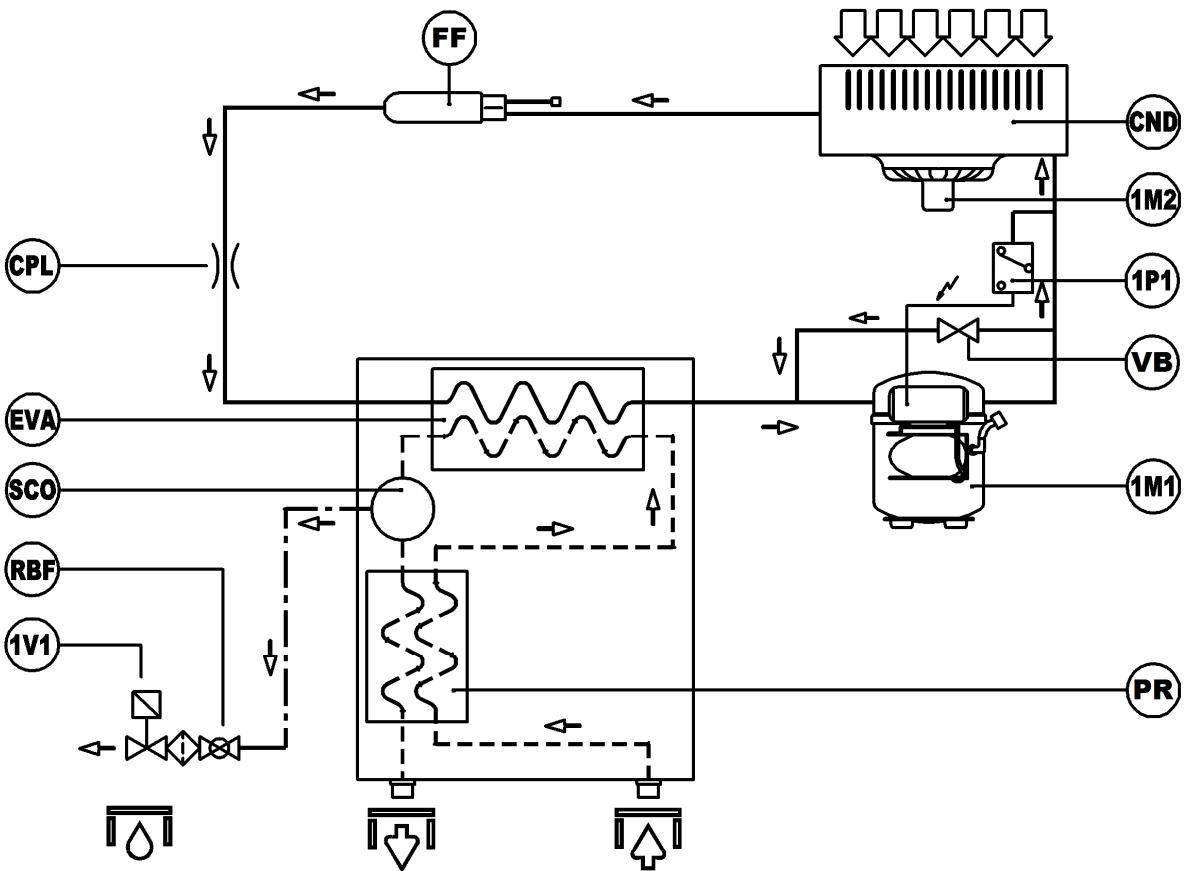
Pos.	- GB - DESCRIPTION	- F - DESCRIPTION
1A1	Electronic Controller	Contrôleur électronique
1B1	Drain solenoid valve coil	Bobine électrovalve de décharge
1M1	Refrigerant compressor	Compresseur réfrigérant
1M2	Fan Motor	Ventilateur
1P1	High pressure Switch	Pressostat haute pression
1P2	Fan pressure Switch	Pressostat de ventilation
1Q1	Compressor circuit breaker	Interrupteur automatique de compresseur
1Q2	Fan circuit breaker	Interrupteur automatique de ventilation
1S1	Main power switch	Interrupteur général
1S2	Plug	Fiche
1T1	Transformer	Transformateur
1V1	Solenoid drain Valve	Purge de condensants
CB	Compressor box	Boîte de compresseur
CBL	Cables	câbles
CND	Condenser	Condenseur
CNV	Fan capacitor	Condenseur de ventilation
CPL	Capillary tube	Tubo capillaire
EB	Electrical box	Boîte électrique
ED	10 micron filter element	Cartouche 10 micron
EH	0.01 micron filter element	Cartouche 0.01 micron
EP	1 micron filter element	Cartouche 1 micron
EQ	5 micron filter element	Cartouche 5 micron
EVA	Evaporator	Évaporateur
F1 – F2	Fuses	Fusibles
FD	Air filter 10 micron	Filtre à air 10 micron
FF	Filter dryer	Filtre déshydrateur
FH	Air filter 0.01 micron	Filtre à air 0.01 micron
FP	Air filter 1 micron	Filtre à air 1 micron
FQ	Air filter 5 micron	Filtre à air 5 micron
FR	Drain screen	Filtro a red
FV	Fan motor fuse	Fusible de ventilateur
G	Grid	Grille
IM	Moisture indicator	Indicateur d'humidité
K1	Contact switch	Commutat. de joncteur
K2	Fan contact switch	Commutat. de joncteur de ventilateur
PCP	Thermal protection	Protection thermique
PR	Air-air heat exchanger	Echangeur air-air
PSC	Air-air heat exchanger (D__IT)	Echangeur air-air (D__IT)
RBF	Tap with strainer	Valve à bille avec le tamis
RR	Rotalock cock	Robinet rotalock
RT1	Temperature probes	Sondes de température
SC	Heat exchanger base	Base de l'échangeur de chaleur
SCO	Condensate separator	Séparateur de condensants
SLI	Liquid separator	Liquide séparateur
SSC	Condensate drain	Purge de condensants
STC	Control panel cover	Couverture de panneau de commande
TEMP	Time setter	Temporisateur
TH	Thermostat	Thermostat
TLT	Remote cont. Thermostat	Tele Thermostat digital
VB	By-pass hot gas valve	Vanne de fréon
VE	Expansion valve	Soupape d'expansion
VNR	One way valves with strainer	Soupape unidirection. / filtre
VT	Fan blade	Ventilateur
X1-X2 X3-XM	Terminal blocks	Boîte terminale électrique

A) REFRIGERANT CIRCUIT - CIRCUIT FRIGORIFÉRIQUE

Cod. 713.0048.04.00 – Rev. 00
Models D12IN-A to D180IN-A



Cod. 713.0057.06.00 – Rev. 00
Models D300IN-A to D360IN-A

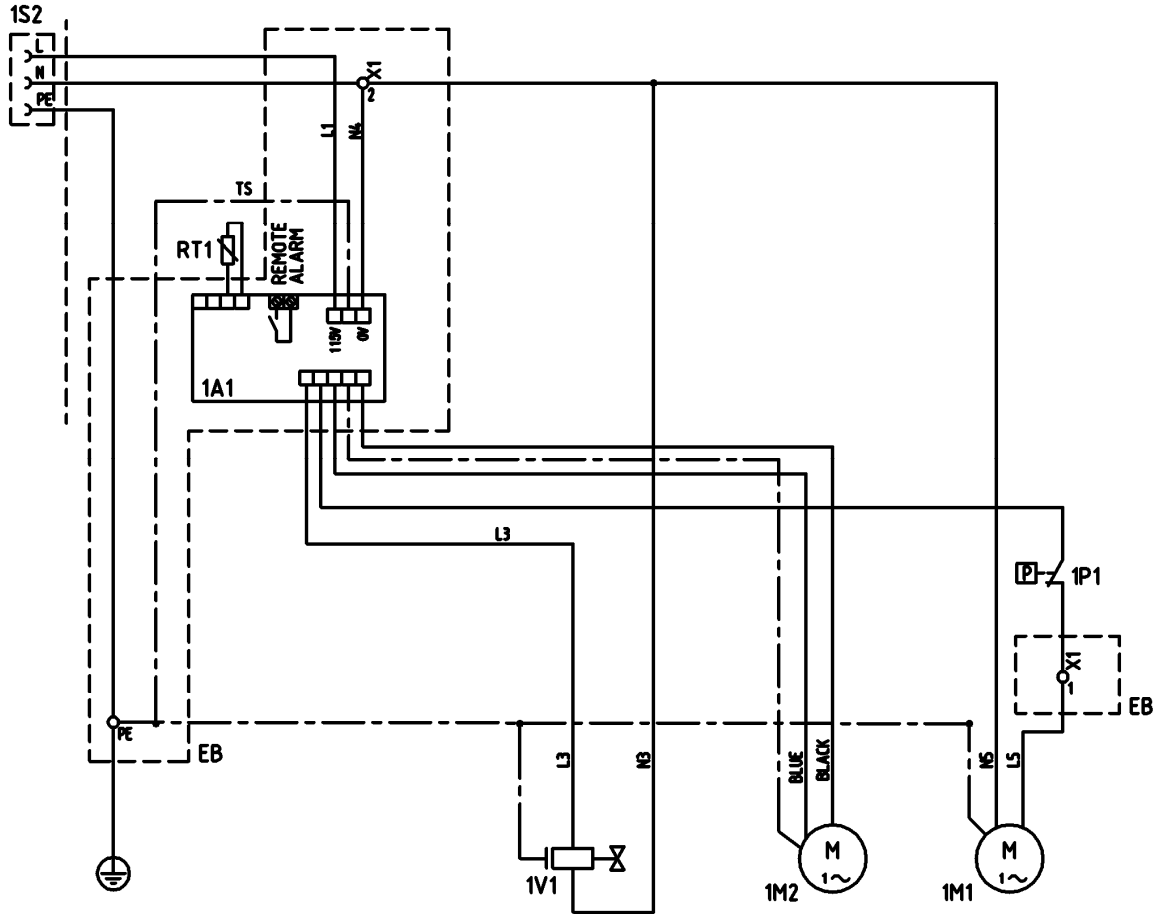


	Condensate drain	Purge de condensant
	Air inlet	Entrée de l'air
	Air outlet	Sortie de l'air

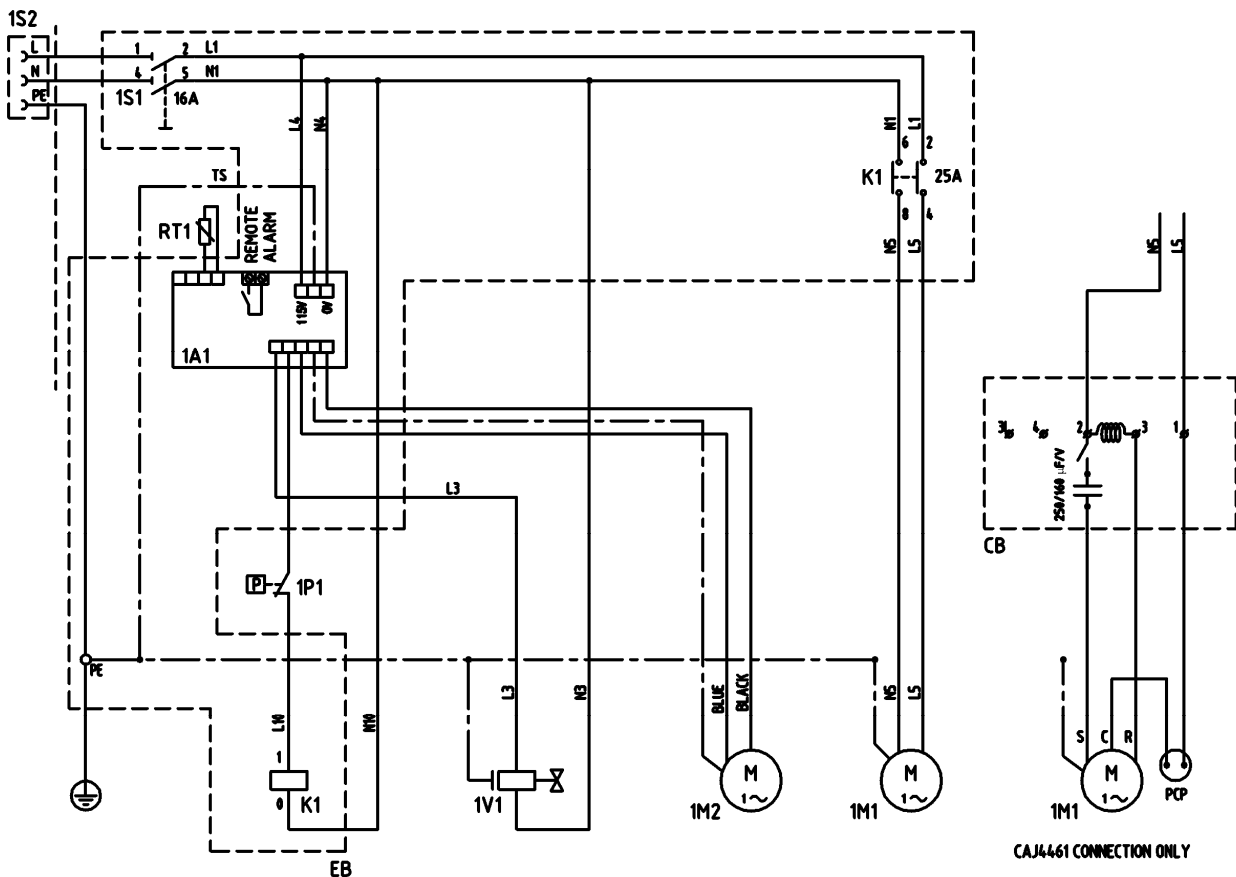
	Refrigerant line	Ligne réfrigérant
	Compressed air line	Ligne de l'air comprimé
	Condensate drain line	Ligne de drainage
	Equalization line	Ligne de égalisation

B) WIRING DIAGRAM - SCHEMA ÉLECTRIQUE

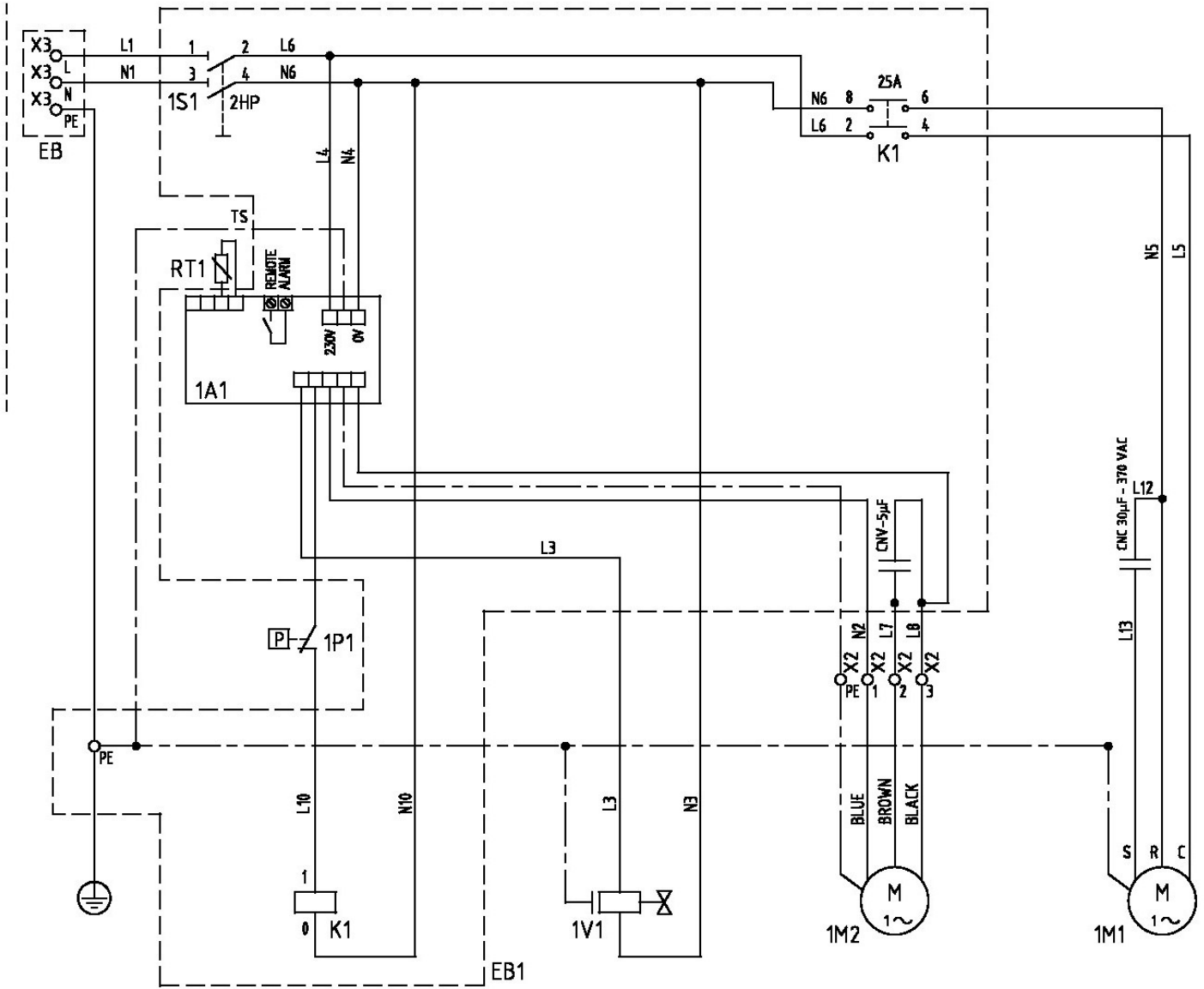
Cod. 714.0164.01.00 – Rev. 00
 Models D12IN-A to D72IN-A (115V/1Ph/60Hz)



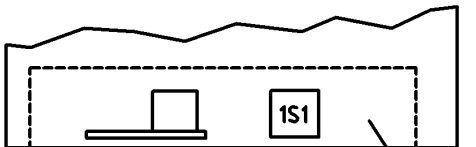
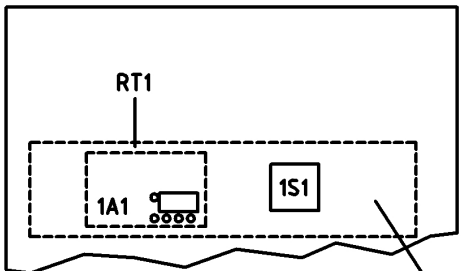
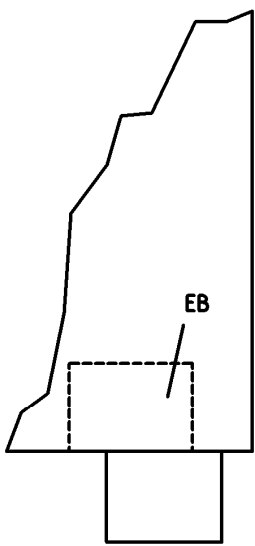
Cod. 714.0165.01.00 – Rev. 00
 Models D108IN-A to D180IN-A (115V/1Ph/60Hz)



CAJ4461 CONNECTION ONLY



A ↓



C) DATA SHEET - CARACTERISTIQUES TECHNIQUES

MODEL		D12IN-A	D18IN-A	D25IN-A-SR	D42IN-A	D54IN-A	D72IN-A	D108IN-A	D144IN-A	D180IN-A	D300IN-A	D360IN-A
AR AIR FLOW RATE*	CFM	7	11	15	25	32	42	64	85	106	176	212
	M3/h	12	18	25	42	54	72	108	144	180	300	360
POW SUPPLY	VOLT/ PH/HZ	115/1/60									230/1/60	
1M1 COMPRESSOR	HP	1/10	1/10	1/10	1/6	1/3	1/3	1/3+	1/2	2/3	1	1
	kW	0.14	0.14	0.14	0.20	0.37	0.37	0.49	0.61	0.71	1.34	1.34
	Max kW	0.20	0.20	0.20	0.31	0.49	0.49	0.77	0.81	1.14	1.55	1.55
	RLA	1.83	1.83	1.83	2.6	4.23	4.23	6.05	7.93	8.16	6.5	6.5
	FLA	2.5	2.5	2.5	3.5	4.10	4.10	8.10	9.23	11.6	7.35	7.35
	LRA	14.5	14.5	14.5	23	32.5	32.5	43	44	46	35	35
1M2 FAN MOTOR	QTY	1	1	1	1	1	1	1	1	1	1	1
	HP	1/80	1/80	1/80	1/80	1/80	1/80	1/46	1/46	1/46	2/5	2/5
	RLA	0.58	0.58	0.58	0.58	0.58	0.58	1.00	1.00	1.00	1.04	1.04
	LRA	0.76	0.76	0.76	0.76	0.76	0.76	1.36	1.36	1.36	1.35	1.35
TOTAL A	A	2.8	2.8	2.8	3.6	6	6	8	9	12.6	8	8
CONNECTION	NPT	3/8"	3/8"	3/8"	1/2"	1/2"	1/2"	3/4"	3/4"	3/4"	1 1/2"	1 1/2"
AIR T	°F	100										
	°C	38										
AIR T MAX	°F	140										
	°C	60										
AMB T	°F	100										
	°C	38										
AMB T MIN-MAX	°F	36 - 122										
	°C	2 - 50										
AIR W PRESS	psi	100										
	bar	7										
AIR PRESS MAX	psi	203									174	
	bar	14									12	
DEW POINT*	°F	< 50 (ISO CLASS 6)										
	°C	< 10 (ISO CLASS 6)										
REFRIGERANT	TYPE	R134a									R407C	
	LB	0.31	0.31	0.31	0.62	0.57	0.57	0.77	0.84	0.99	1.98	1.98
	OZ	4.94	4.94	4.94	9.88	9.17	9.17	12.35	13.40	15.87	32	32
	KG	0.14	0.14	0.14	0.28	0.26	0.26	0.35	0.38	0.45	0.9	0.9
MAX FUSE	A	Not present – Pas présent									15	15
MIN CIRCUIT AMPACITY	A	Not present – Pas présent									10	10
W WEIGHT	LB	39.7	39.7	39.7	77.2	61.7	61.7	77.2	81.6	103.6	191.8	191.8
	KG	18	18	18	27	28	28	35	37	47	87	87
EVAP. TEMP.*	°F	37 – 41									37 – 41	
	°C	3 – 5									3 – 5	
SUCTION TEMP.*	°F	39 – 43									39 – 50	
	°C	4 – 6									4 – 10	
DISCH. PRESS.*	psig	170 – 230									180 – 246	
	Bar	12 – 16									13 – 17	
HP SWITCH SETTING	psig	435									435	
	Bar	30									30	

*Rating conditions of: 38°C (100°F) and 100 psig Air Inlet, 38°C (100°F) Ambient

*Conditions de fonctionnement de: 38°C (100°F) et 100 psig air en entrée, 38°C (100°F) température ambiante

Performance and specifications - Performances et caractéristiques techniques

+ / - 5%

Legend - Légende:

Pos.	- GB - DESCRIPTION	- F - DESCRIPTION
AR	Air flow rate	Performances
POW SUPPLY	Power supply	Alimentation
HP	Nominal power	Puissance nom.
kW	Nominal consumption	Consommation nom.
Max kW	Full load consumption	Cons. pleine charge
RLA	Nominal Current	Ampère nominale
FLA	Full load current	Ampère pl. charge
LRA	Locked rotor current	Ampère max.
TOTAL A	Total current	Ampère total
CONNECTION	Air connections	Connexion aircomp.
AIR T	Air inlet temperature	Temp. entrée d'air
AIR T MAX	Max. air inlet temperature	Temp. entrée d'air max.
AMB T	Ambient temperature	Temp. ambiante

Pos.	- GB - DESCRIPTION	- F - DESCRIPTION
AMB T MIN-MAX	Min-Max. ambient temperature	Temp. Ambiante min-max.
AIR W PRESS	Air working pressure	Pression travail d'air
AIR PRESS MAX	Max. air pressure	Pression max. d'air
DEWP	Pressure dew point	Pression pt de rosée
REF	Refrigerant	Réfrigérant
MAX FUSE	Max fuse size	Maximum fusibles
MIN CIRCUIT AMPACITY	Minimum circuit ampacity	Minimum courant électrique
W	Weight	Poids
EVAP. TEMP	Evaporation Temperature	Température d'évaporation
SUCTION TEMP	Suction Temperature	Température d'aspiration
DISCH. PRESS.	Discharge Pressure	Pression de décharge
HP SWITCH SETTING	High pressure switch setting	Réglage du pressostat de haute pression

D) CORRECTION FACTORS - FACTEURS DE CORRECTION

Correction factor for working pressure - Facteur de correction pour la pression du travail										
bar	5	6	7	8	9	10	11	12	13	14
psi	73	87	102	116	131	145	160	174	188,5	203
FC1	0,85	0,93	1	1,06	1,11	1,15	1,18	1,2	1,22	1,24
Correction factor for inlet air temperature - Facteur de correction pour la température de l'air d'entrée										
°C	26,5	32	37,8	43,5	49	54,5	60			
°F	80	90	100	110	120	130	140			
FC3	1,3	1,18	1	0,8	0,6	0,42	0,25			
Correction factor for ambient temperature- Facteur de correction pour la température ambiante										
°C	26,5	32	37,8	40,5	43,5	50				
°F	80	90	100	105	110	122				
FC2	1,1	1,05	1	0,93	0,83	0,65				

Calculation of the dryer REAL FLOW RATE = nominal dryer flow rate x FC1 x FC2 x FC3

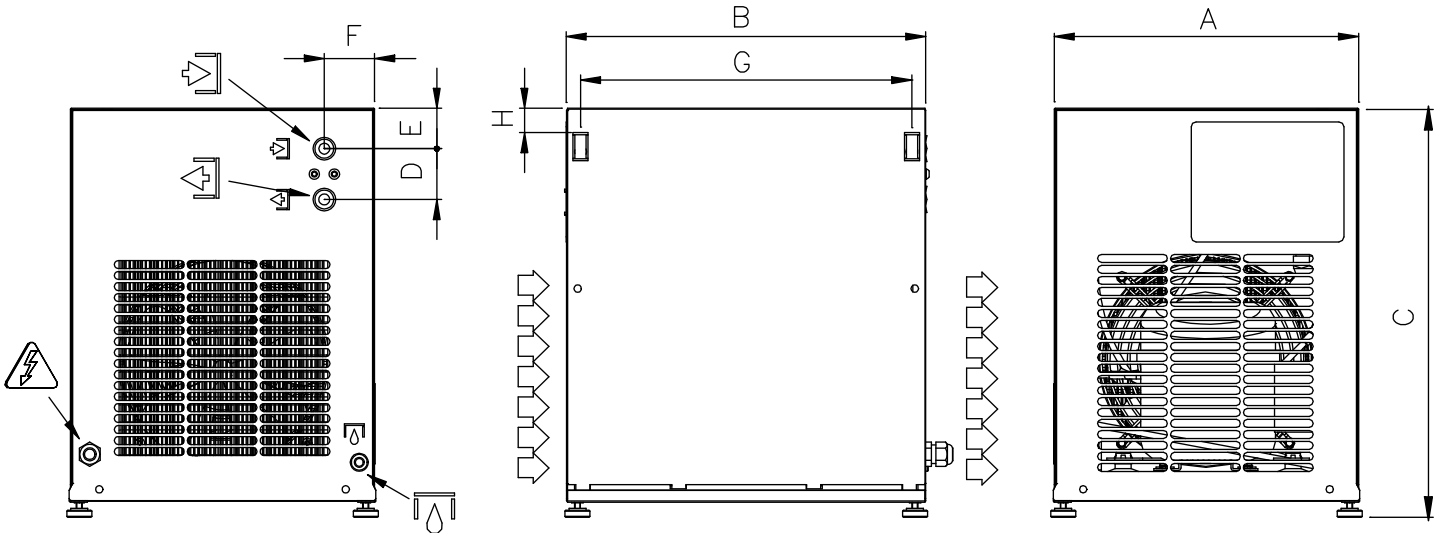
Calcul du DÉBIT RÉEL du séchoir = débit nominal du séchoir x FC1 x FC2 x FC3

Calculation of the GIVEN FLOW RATE to select a suitable dryer = given flow rate ÷ FC1 ÷ FC2 ÷ FC3

Calcul du DÉBIT DONNÉ pour sélectionner un séchoir approprié = débit donné ÷ FC1 ÷ FC2 ÷ FC3

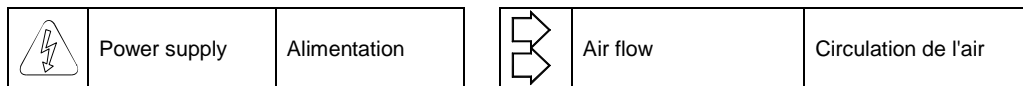
E) DRYER DIMENSIONS - DIMENSIONS DU SECHEUR

Models D12IN-A to D25IN-A-SR

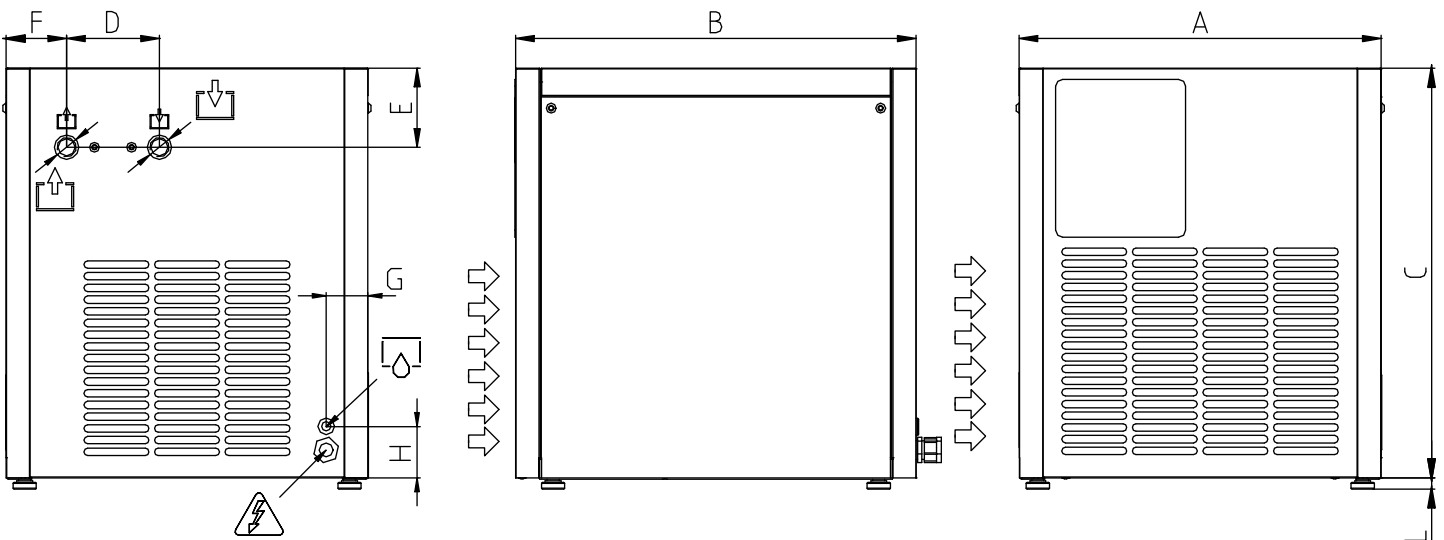


	A	B	C	D	E	F	G	H
mm	305	360	408	51	40	50	332	24
inches	12"	14" 3/16	16" 1/16	2"	1" 9/16	2"	13" 1/16	15/16"

3/8" NPT	3/8" NPT	Ø 6mm	115/1/60 V/ph/Hz



Models D42IN-A to D180IN-A



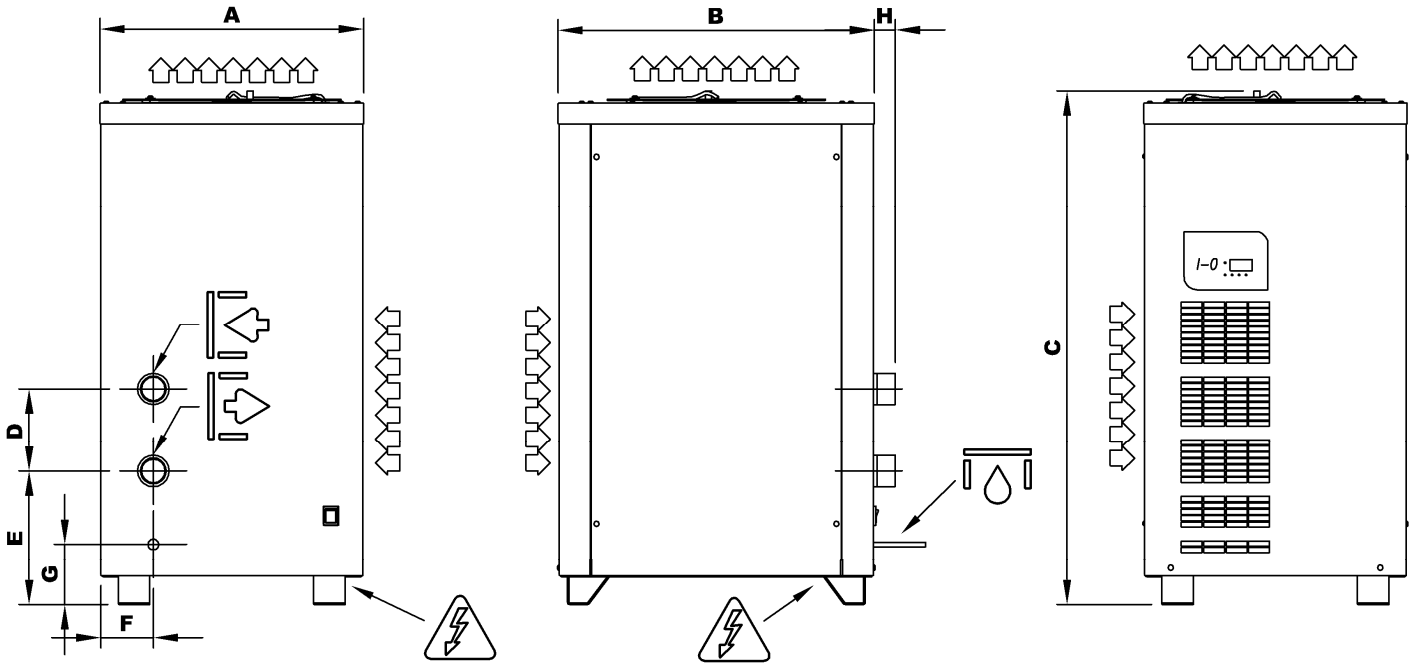
		A	B	C	D	E	F	G	H	L
D42IN-A to D72IN-A	mm	390	432	441	100	85	65	45	65	12
	inches	15" 3/8	17"	17" 3/8	3" 15/16	3" 3/8	2" 9/16	1" 3/4	2" 9/16	7/16"

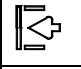



1/2" NPT	1/2" NPT	Ø 6mm	115/1/60 V/ph/Hz


D108IN-A to D180IN-A	mm	420	516	551	100	85	80	44	63	12
	inches	16" 9/16	20" 5/16	21" 11/16	3" 15/16	3" 9/16	3" 3/16	1" 3/4	2" 1/2	7/16"

3/4" NPT	3/4" NPT	Ø 6mm	115/1/60 V/ph/Hz

Models D300IN-A to D360IN-A



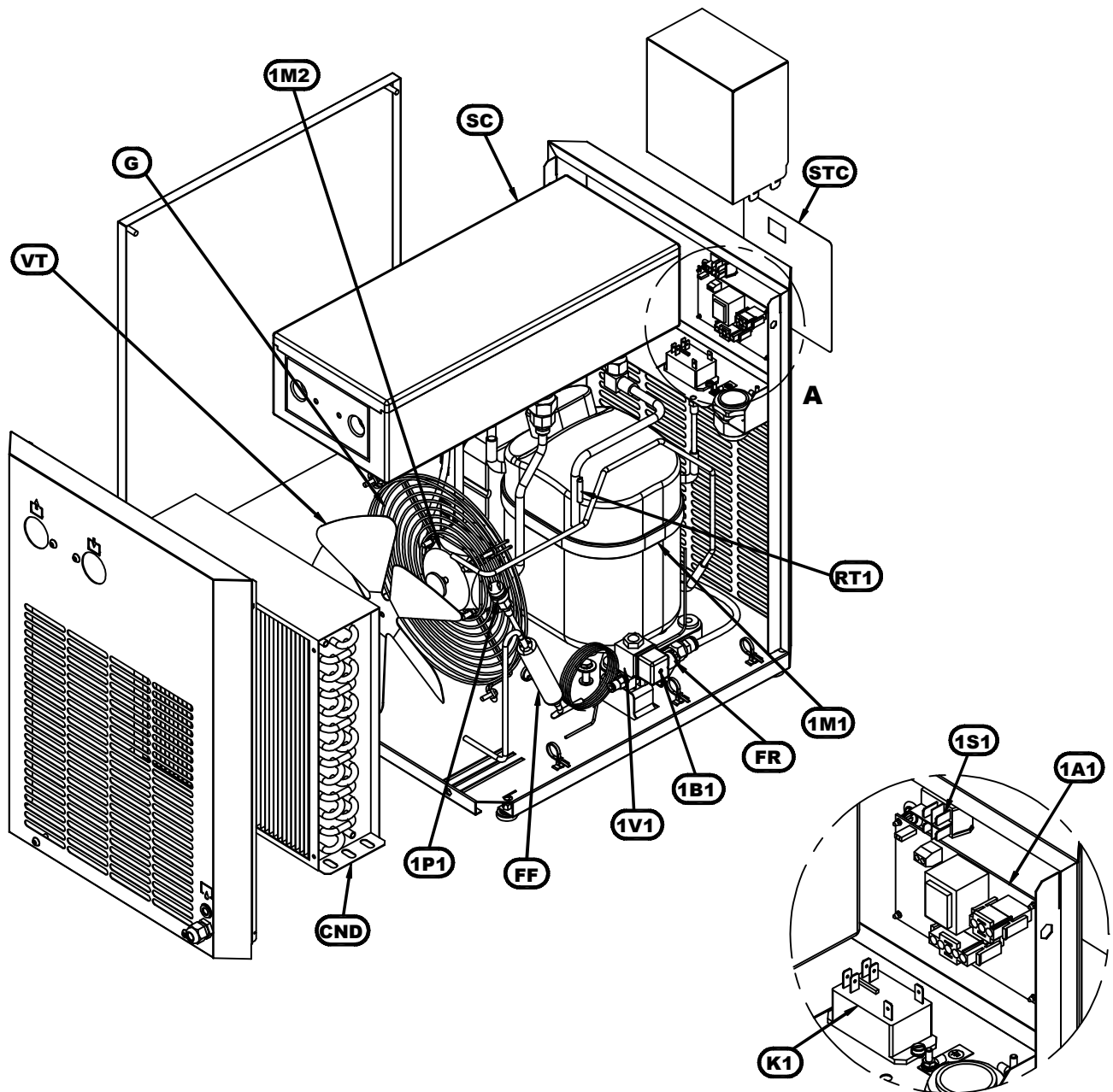
	A	B	C	D	E	F	G	H				
mm	500	679	980	157	254	99.5	114	40				
inches	19" 11/16	26" 3/4	38" 9/16	6" 3/16	10"	3" 15/16	4" 1/2	1" 9/16	1" 1/2 NPT	1" 1/2 NPT	Ø 6mm	230/1/60 V/ph/Hz

	Power supply	Alimentation
---	--------------	--------------

	Air flow	Circulation de l'air
---	----------	----------------------

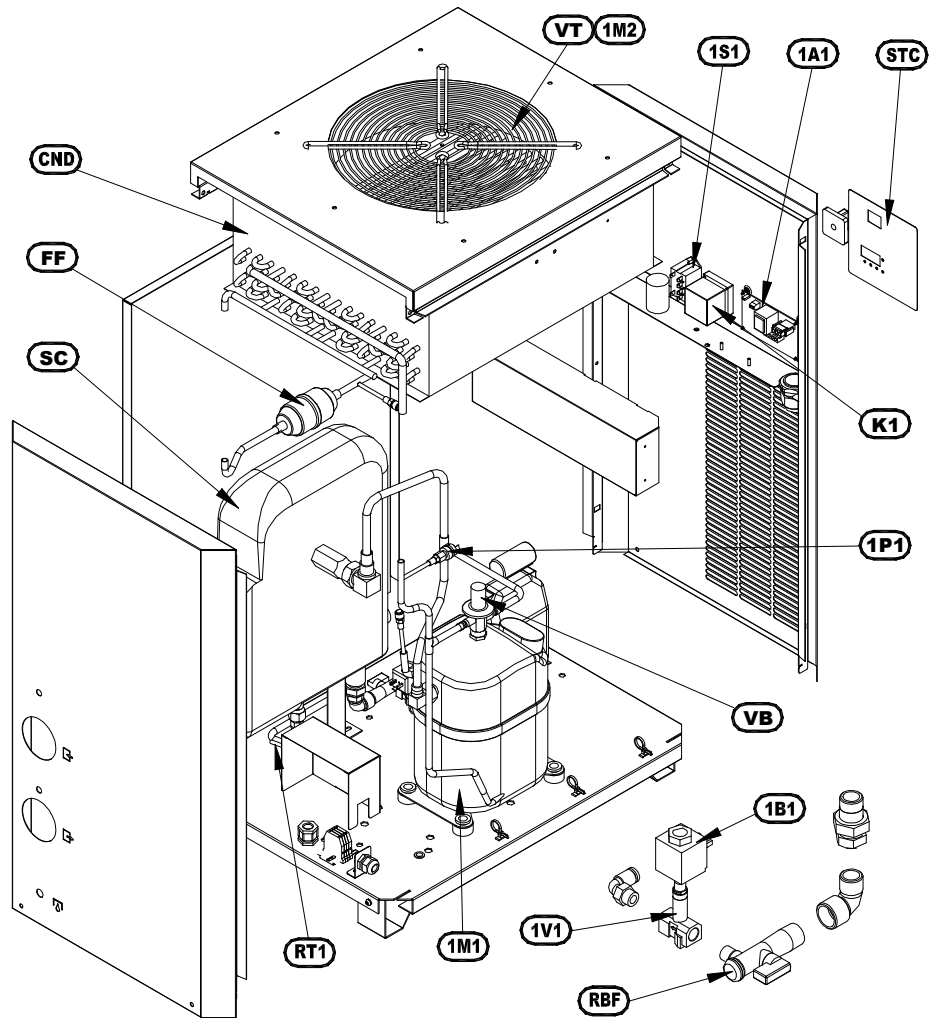
F) BASIC SPARE PARTS - PIÈCES DE RECHANGE ESSENTIELLES

Pos	Model	D12IN-A	D18IN-A	D25IN-A-SR	D42IN-A	D54IN-A	D72IN-A	D108IN-A	D144IN-A	D180IN-A
	Element									
1A1	Electronic Controller	38457404	38457404	38457404	38457404	38457404	38457404	38457404	38457404	38457404
RT1	Temperature probe	38457412	38457412	38457412	38457412	38457412	38457412	38457412	38457412	38457412
1M1	Refrigerant compressor	24062093	24062093	24062093	24062101	24062135	24062135	24062119	24062127	38457461
1M2	Fan Motor	38457768	38457768	38457768	38457768	38457768	38457768	38457776	38457776	38457776
VT	Fan blade	38457784	38457784	38457784	38457784	38457784	38457784	38457792	38457792	38457792
G	Grid	-	-	38457800	38457800	38457800	38457800	38457818	38457818	38457818
1P1	High pressure Switch	38457511	38457511	38457511	38457511	38457511	38457511	38457511	38457511	38457511
1S1	Main power switch	-	-	-	-	-	-	38457826	38457826	38457826
1V1	Complete solenoid drain valve	38457537	38457537	38457537	38457537	38457537	38457537	38457537	38457537	38457537
1B1	Drain solenoid valve coil	38457545	38457545	38457545	38457545	38457545	38457545	38457545	38457545	38457545
CND	Condenser	38457834	38457834	38459087	38457859	38457859	38457859	38457867	38457867	38457875
FF	Filter dryer	38457594	38457594	38457594	38457594	38457594	38457594	38457602	38457602	38457602
FR	Drain screen	38457891	38457891	38457891	38457891	38457891	38457891	38457636	38457636	38457636
K1	Contacteur switch	-	-	-	-	-	-	38457644	38457644	38457644
SC	Heat exchanger base	38457909	38457909	38457909	38457651	38457651	38457651	38457669	38457677	38457677
STC	Control panel cover	38457883	38457883	38457883	38457917	38457917	38457917	38457917	38457917	38457917



DETAIL A

Model		D300IN-A	D360IN-A
Pos	Element		
1A1	Electronic Controller	38459608	38459608
RT1	Temperature probe	38459616	38459616
1M1	Refrigerant compressor	24044976	24044976
1M2	Fan Motor	38459632	38459632
VT	Fan blade		
G	Grid		
1P1	High pressure Switch	38457511	38457511
1S1	Main power switch	38459657	38459657
1V1	Complete solenoid drain valve	38459665	38459665
1B1	Drain solenoid valve coil	38459673	38459673
CND	Condenser	38459681	38459699
FF	Filter dryer	38459707	38459707
RBF	Drain screen	38457636	38457636
K1	Contacteur switch	38459723	38459723
SC	Heat exchanger base	23516370	23516370
STC	Control panel cover	38457917	38457917
VB	By-pass hot gas valve	23716095	23716095



DICHIARAZIONE CE DI CONFORMITA'
EC DECLARATION OF CONFORMITY
DECLARATION DE CONFORMITE' CEE
KONFORMITATSERKLARUNG GEMASS EG-RICHTLINIE
ΔΗΛΩΣΗ ΣΥΜΜΟΡΦΩΣΗΣ CE

DECLARATION DE CONFORMIDAD CEE
DECLARACAO DE CONFORMIDADE CEE
OVEREENKOMSTVERKLARING EG-RICHTLIJN EEG
EC DECLARATION EEG
DEKLARACJA ZGODNOŚCI CE

NOI - WE - NOUS - WIR - ΕΜΕΙΣ - NOSOTROS - NOS - WIJ - VI - MY



Manufactured in
Fogliano Redipuglia (GO)
Via dell' Artigianato, 34
34070 ITALY

-I- Dichiariamo sotto la nostra esclusiva responsabilità che il prodotto al quale questa dichiarazione si riferisce, è conforme alle seguenti Direttive, nonché norme armonizzate. Fascicolo tecnico disponibile presso il costruttore.

-UK- Declare under our sole responsibility that the product which this declaration relates is in conformity with the following standards and other normative documents. Technical file is available at the offices of the manufacturer.

-F- Déclarons sous notre entière responsabilité que le produit auquel cette déclaration se réfère, est conforme aux normes suivantes et aux autres réglementations CEE. Le dossier technique est disponible aux bureaux du fabricant.

-D- Wir Erklären, daß das Produkt, für welches diese Erklärung gilt, unter unserer alleinigen Verantwortung in Übereinstimmung mit den nachfolgenden EG-Richtlinien und anderen Normen gefertigt wurde. Die Technische Heft ist in den Büros des Herstellers vorhanden.

-GR- Δηλώνουμε με αποκλειστική μας ευθύνη ότι το προϊόν που αναφέρεται στην παρούσα συμμορφώνεται με τα ακόλουθα πρότυπα και οδηγίες της Ε.Ε. . Τεχνικό φάκελο είναι διαθέσιμο στα γραφεία του κατασκευαστή.

-E- Declaramos bajo nuestro unica responsabilidad que el producto al cual esta declaracion se refiere, es conforme a las siguientes normas y otros documentos normativos. El archivo técnico está disponible en las oficinas del fabricante.

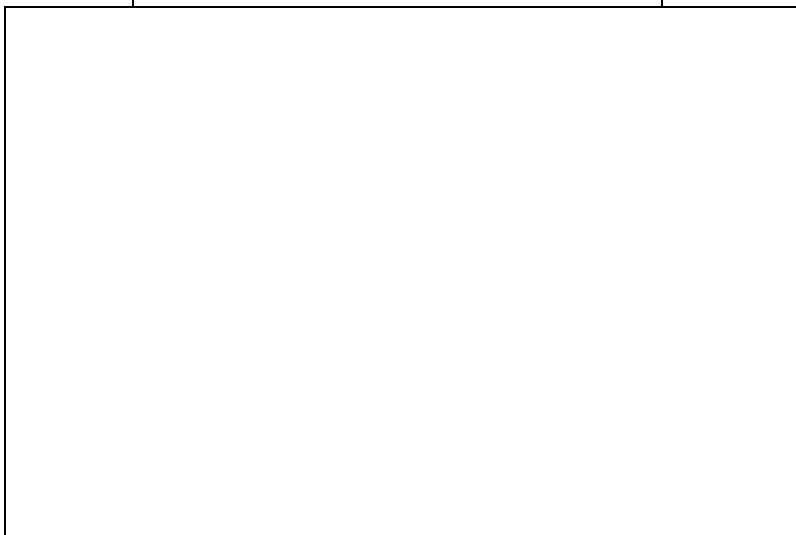
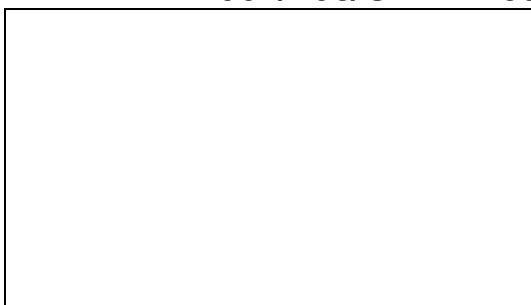
-P- Declaramos sob nossa exclusiva responsabilidade que o produto a que se refere esta declaração está conforme as seguintes normas e/ou documentos normativos. O fasciculo técnico está disponível nos escritórios do fabricante.

-NL- Verklaren dat onder onze volledige verantwoording de volgende producten warrop deze verklaring betrekking heeft, met de volgende richtlijnen en andere normatieve documenten overeenkomen. Het technische boekje is beschikbaar op de kantoren van de fabrikant.

-S- Förklarar härmed som ensam ansvarig för tillverkning av produkten vilken detta intyg gäller, att denna produkt överensstämmer med följande standard och andra normativa dokument. Teknisk dokumentation finns tillgängliga hos tillverkaren.

-PL- Deklarujemy, na naszą wyłączną odpowiedzialność, że wyrób, którego niniejsza deklaracja dotyczy, jest zgodny z następującymi normami i innymi dokumentami normującymi. Stosowne dane techniczne jest dostępny w urzędzie producenta.

2006/42/CE : UNI EN ISO 12100/1-2:2005
97/23/CE : EN 13445-3 ; 2006/95/CE : EN60204-1 :2006
2004/108/CE : EN50081-2/92, EN50082-2/95



Nome, Name, Name, Όνομα, Imię, /
Cognome, Surname, Nachname, Nazwisko

Giovanni Capellari
.....

Posizione, Position, Stellung, Θέση,
Stanowisko

General Manager
.....

Data, Date, Datum
.....

Firma - Signature - Unterschrift - Υπογραφή -
Firma - Assinatura - Ondertekening -
underskrift - Podpis

