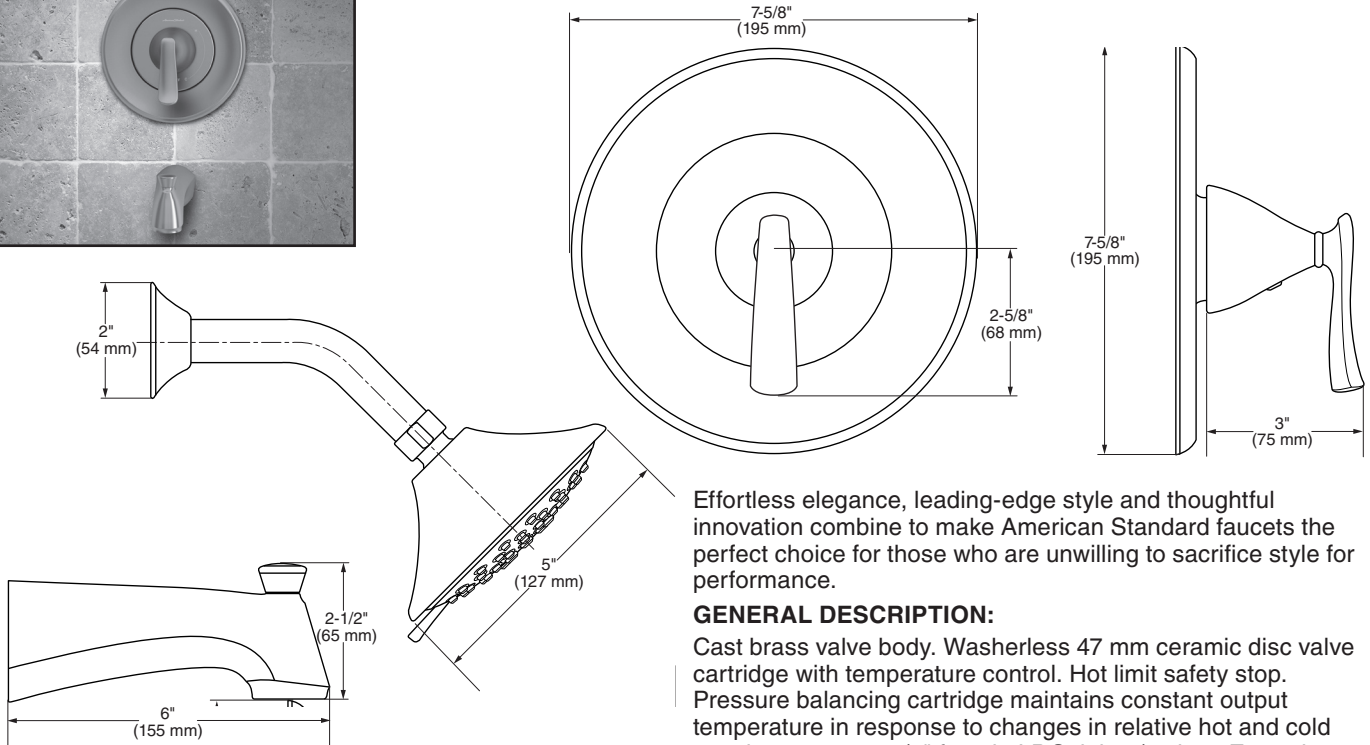


1 HANDLE TUB/SHOWER WITH 3-FUNCTION SHOWERHEAD



MODEL NUMBER:

- 7413508.002 Chrome finish. SKU# 1001-514-903.
- 7413508.295 Brushed Nickel finish. SKU# 1001-515-028.
- 7413508.278 Legacy Bronze finish. SKU# 1001-515-033.



Effortless elegance, leading-edge style and thoughtful innovation combine to make American Standard faucets the perfect choice for those who are unwilling to sacrifice style for performance.

GENERAL DESCRIPTION:

Cast brass valve body. Washerless 47 mm ceramic disc valve cartridge with temperature control. Hot limit safety stop. Pressure balancing cartridge maintains constant output temperature in response to changes in relative hot and cold supply pressures. 1/2" female I.P.S. inlets/outlets. Easy clean showerhead has 1.8 gpm/ 6.8 L/min flow restrictor. Metal lever handle. Rough-in plaster guard designed for use as thin-wall mounting adaptor. I.P.S. diverter tub spout.

PRODUCT FEATURES:

- Solid cast brass valve body:
 - Durable, ideal material for prolonged contact with water.
- Ceramic Disc Valve Cartridge:
 - Assures a lifetime of smooth handle operation and drip-free performance.
- Pressure Balancing Valve:
 - Maintains output temperature in response to changes in relative hot and cold supply pressure.
 - Diaphragm system engineered to eliminate cross flow and spool "thumping".
 - Avoids failure due to mineral deposits - ideal for use with hard water.
- Adjustable Hot Limit Safety Stop:
 - Limits the amount of hot water allowed to mix with cold.
 - Reduces the risk of accidental scalding.
- Integral Plaster Guard and Mounting Plate:
 - Plaster guard designed to protect valve during installation and to serve as a mounting plate for thin wall installations.



More Function. Better Shower Experience.
MULTI-FUNCTION

Reliable For Life



Thermal Shock Protection

VALVE MAINTAINS SHOWER'S WATER TEMPERATURE IF SUDDEN CHANGES IN WATER PRESSURE OCCUR

Reliable For Life



WaterSense® Certified

SAVES 30% MORE WATER THAN THE STANDARD FLOW OF 2.5 GALLONS PER MINUTE

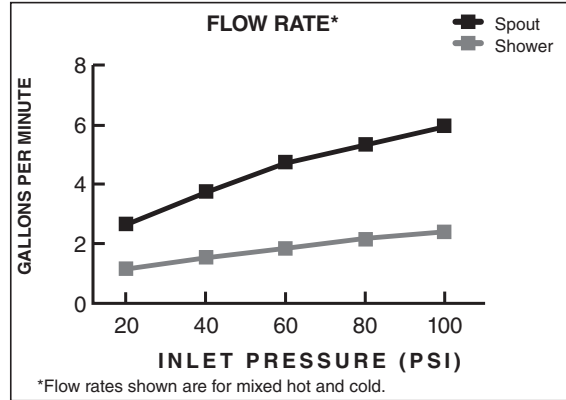
SUGGESTED SPECIFICATION:

Bath/shower fitting shall feature 3-function showerhead with Max. 1.8 gpm (6.8 L/min) Max flow rate. Fitting shall be American Standard Model # 7413508.002, SKU# 1001-514-903. Model # 7413508.295, SKU# 1001-515-028. Model # 7413508.278, SKU# 1001-515-033.

CODES AND STANDARDS

These products meet or exceed the following codes and standards:

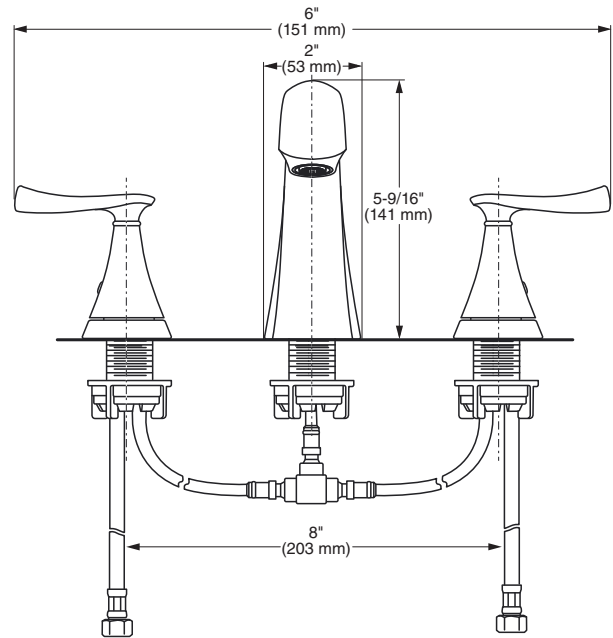
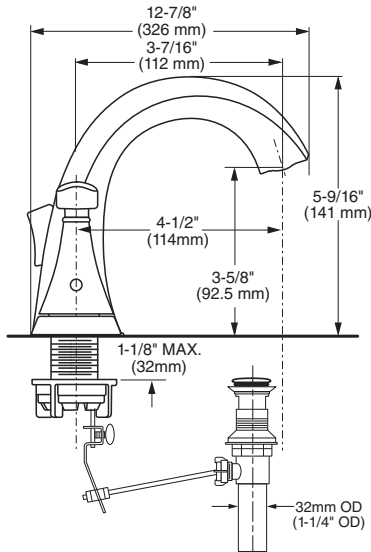
- ANSI A117.1**
- ASME A112.18.1**
- CSA B125.1**



Product Number	Description
7413508.002	1-Handle Tub/Shower. Metal lever handle. Ceramic Disc Valve. 3-Function showerhead. Chrome finish. SKU #1001-514-903.
7413508.295	1-Handle Tub/Shower. Metal lever handle. Ceramic Disc Valve. 3-Function showerhead. Brushed Nickel finish. SKU #1001-515-028.
7413508.278	1-Handle Tub/Shower. Metal lever handle. Ceramic Disc Valve. 3-Function showerhead. Legacy Bronze finish. SKU #1001-515-033.

ADA Meets the American Disabilities Act Guidelines
ANSI A117.1 Requirements for the physically challenged.

NOTE: TO AVOID SHOWER RISE OR OTHER RELATED ISSUES, DO NOT USE PEX CONNECTIONS ON ANY OF THE OUTLETS.



Easily Snaps Together for Watertight Connection

SPEED CONNECT® HOSES

Reliable For Life



Pre-assembled Handles

JUST DROP-IN AND CONNECT

Reliable For Life



Supply Lines Included

Reliable For Life

MODEL NUMBER:

- 7413801.002** Chrome finish. SKU# 1001-514-600.
- 7413801.295** Brushed Nickel finish. SKU# 1001-514-889.
- 7413801.278** Legacy Bronze finish. SKU# 1001-514-901.

Effortless elegance, leading-edge style and thoughtful innovation combine to make American Standard faucets the perfect choice for those who are unwilling to sacrifice style for performance.

GENERAL DESCRIPTION:

Non-metal valve bodies with reinforced brass sleeves and flexible hose connections for 6" to 12" (152 to 305 mm) installations. 1/4 turn washerless ceramic disc valve cartridges. Drain body with 1-1/4 inch (32 mm) tail piece. 1.2 gpm/4.5 L/min. maximum flow rate.

PRODUCT FEATURES:

- Speed Connect Installation System
 - Pre-assembled handles
 - Speed Connect Hoses
- Durable easy to clean.
- Ceramic Disc Valve Cartridges: Assures a lifetime of smooth handle operation and drip-free performance.
- Supply lines included.
- Lead Free: Faucet contains ≤0.25% total lead content
- Choice of Finishes: Chrome, Brushed Nickel or Legacy Bronze

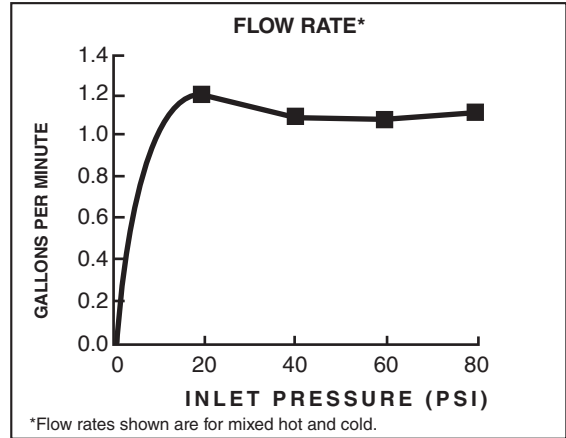
SUGGESTED SPECIFICATION:

2-Handle widespread bath faucet shall feature metal spout. Shall also feature 1/4 turn washerless ceramic disc valve cartridges. Shall also feature Speed Connect Installation System. Shall also feature a non-metal drain body. Fitting shall be American Standard Model # 7413801.002, SKU# 1001-514-600. Model # 7413801.295, SKU# 1001-514-889. Model # 7413801.278, SKU# 1001-514-901.

CODES AND STANDARDS

These products meet or exceed the following codes and standards:

- ANSI A117.1**
- ASME A112.18.1**
- CSA B125.1**
- NSF 61/Section 9**
- NSF 372**



Product Number	Description
7413801.002	Widespread lavatory. Metal lever handles. Pop-up drain. Chrome finish. SKU #1001-514-600.
7413801.295	Widespread lavatory. Metal lever handles. Pop-up drain. Brushed Nickel finish. SKU #1001-514-889.
7413801.278	Widespread lavatory. Metal lever handles. Pop-up drain. Legacy Bronze finish. SKU #1001-514-901.

 Meets the American Disabilities Act Guidelines **ANSI A117.1** Requirements for the physically challenged.