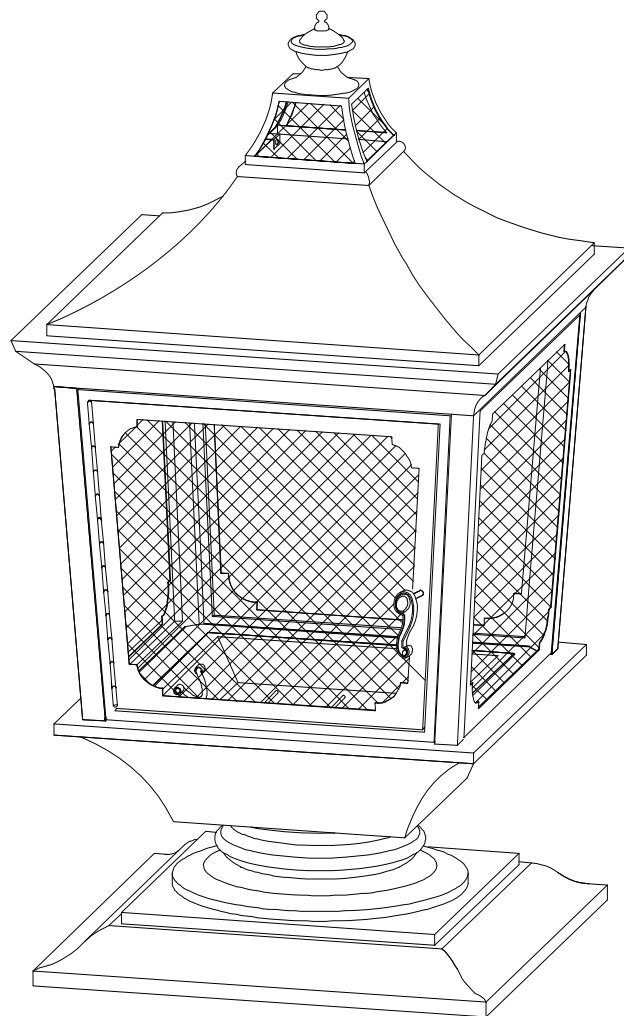


OWNER'S MANUAL

Worthington Fireplace



Warning:

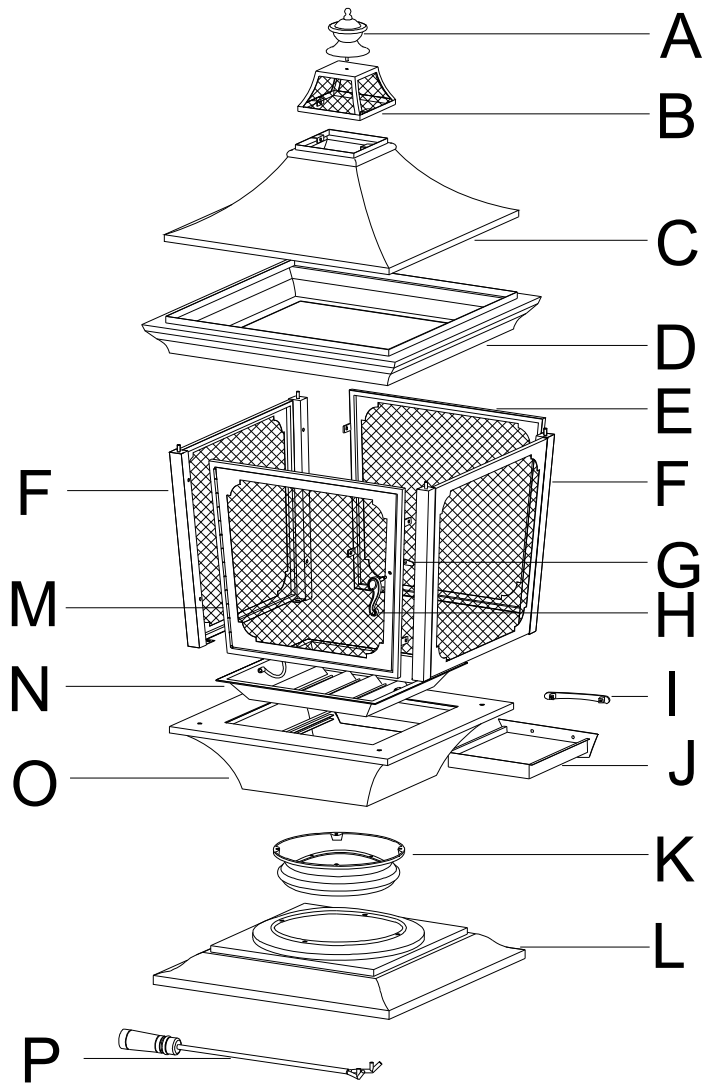
- The Fireplace is **HOT!** DO NOT allow your children to play near it when Fireplace is in use.
- To avoid destroying the finish, please handle the surface by using a soft cloth instead of your bare hands.
- Read all instructions thoroughly and be sure you understand them fully before attempting to use this product.
- To extend the life of this product, store indoors while not in use.
- Item is hot when in use and can burn if touched. Allow the item to cool before touching. Please use the poker to open the door while in use.
- Ensure sufficient clearance from any adjacent combustible materials (trees, walls, etc.). Follow manufacturer's recommendations for clearance distances.
- Product is designed for use with solid fuel. Follow manufacturer's recommendations for fuel. Never use gasoline, kerosene, or any liquid fuel material to attempt to start a fire.
- NEVER leave fire unattended. Ensure that it is completely extinguished before leaving area.
- Check for and follow any local regulations regarding open fires.
- As with any product that emits heat or flame, NEVER leave children or pets unattended in the vicinity of this product while it is in operation.
- Do not use product on a combustible surface (e.g., a wooden deck) unless specifically rated for such use by the manufacturer. If so rated, exercise extreme caution when using this product on a combustible surface.
- Not intended for cooking (if applicable).

SAFETY RECOMMENDATIONS:

- FOR OUTDOOR USE ONLY
- NOT FOR USE ON WOOD DECKS OR OTHER FLAMMABLE SURFACE
- ALWAYS PLACE ON EVEN GROUND
- NEVER USE THE FIREPLACE CLOSER THAN 10 FEET FROM ANYTHING FLAMMABLE, INCLUDING HOUSES OR OVERHEAD TREE BRANCHES
- NEVER US GASOLINE, KEROSENE, OR ANY OTHER LIQUID FUEL TO START A FIRE
- ALWAYS MAINTAIN A SAFE DISTANCE FROM THE FIRE
- ALWAYS SUPERVISE CHILDREN AROUND THE FIRE
- NEVER LEAVE A FIRE UNATTENDED
- ITEM IS HOT DURING AND AFTER USE; ALWAYS ALLOW AMPLE COOLING TIME BEFORE TOUCHING OR MOVING

Part List:

No.	Description	Qty
A	Finial (Pre-assembled with B and C)	1
B	Chimney (Pre-assembled with A and C)	1
C	Cover (Pre-assembled with A and B)	1
D	Top frame (Pre-assembled with E, F, G, H, M and O)	1
E	Rear mesh screen (Pre-assembled with D, F, G, H, M and O)	1
F	Left and right mesh screen (Pre-assembled with D, E, G, H, M and O)	2
G	Metal washer (Pre-assembled with D, E, F, H, M and O)	1
H	Door handle (Pre-assembled with D, E, F, G, M and O)	1
I	Ash tray handle (Pre-assembled with J)	1
J	Ash tray (Pre-assembled with I)	1
K	Connector (Pre-assembled with L)	
L	Base (Pre-assembled with K)	1
M	Door (Pre-assembled with D, E, F, G, H and O)	1
N	Fire bowl	1
O	Fire bowl Base (Pre-assembled with D, E, F, G, H and M)	1
P	Poker	1

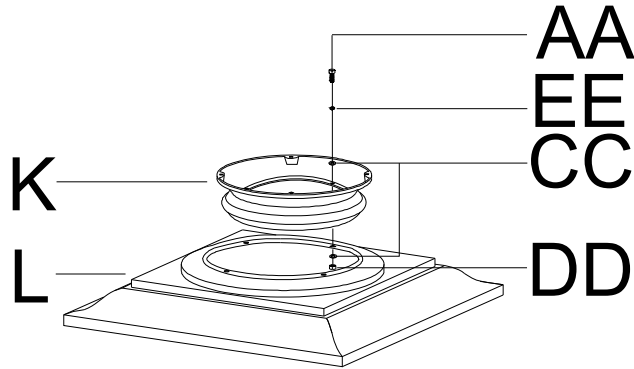


Hardware List:

No.	Description	Qty
AA	5/16-18x1.125 Bolt	4
BB	5/16-18x0.6 Bolt	4
CC	Φ8 Flat washer	12
DD	5/16-18 Nut	4
EE	Φ8 Spring washer	8
FF	1/4-20,5/16-18 Double-head wrench	1

Step 1:

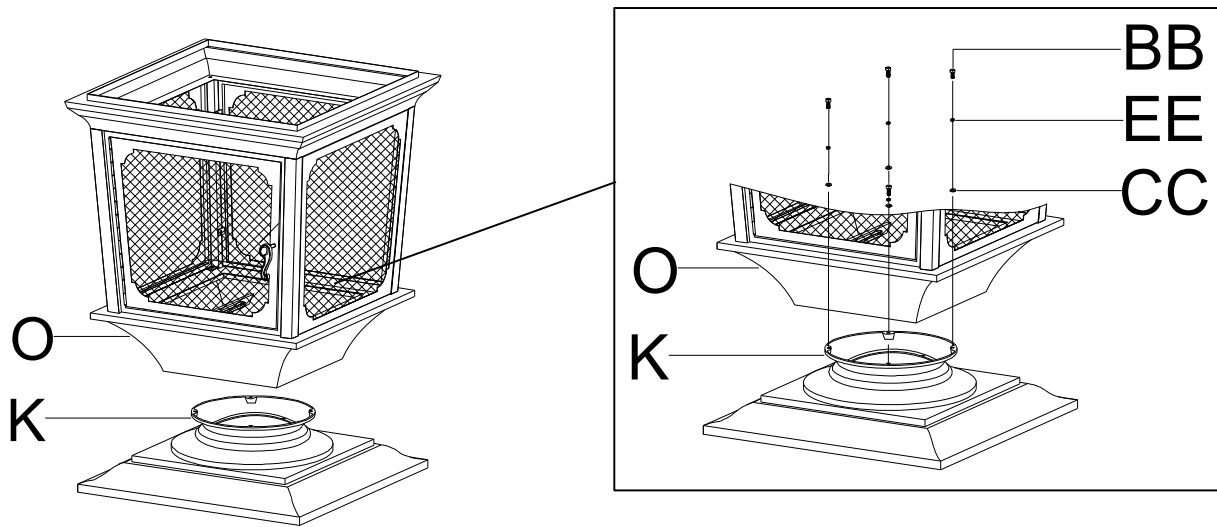
Connect Base (L) and Connector (K) by 5/16-18x1.125 Bolt (AA), Φ 8 Spring washer (EE), 5/16-18 Nut (DD) and Φ 8 Flat washer (CC).



Step 2:

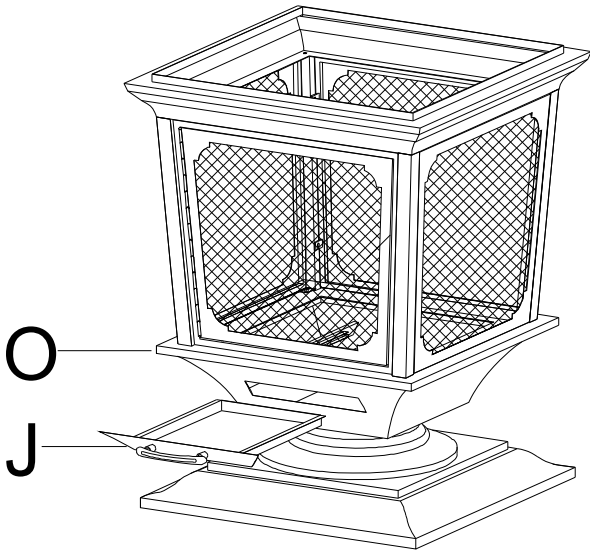
Connect Fire bowl Base (O) and Connector (K) by 5/16-18x0.6 Bolt (BB), Φ 8 Spring washer (EE) and Φ 8 Flat washer (CC).

Make sure the Frontgate Logo goes to the back of the Fire Pit below the Ash Catcher.



Step 3:

Insert Ash tray (J) into Fire bowl Base (O).



Step 4:

Place Fire bowl (N) into Fire bowl Base (O), then put Cover (C) onto Top frame (D).

