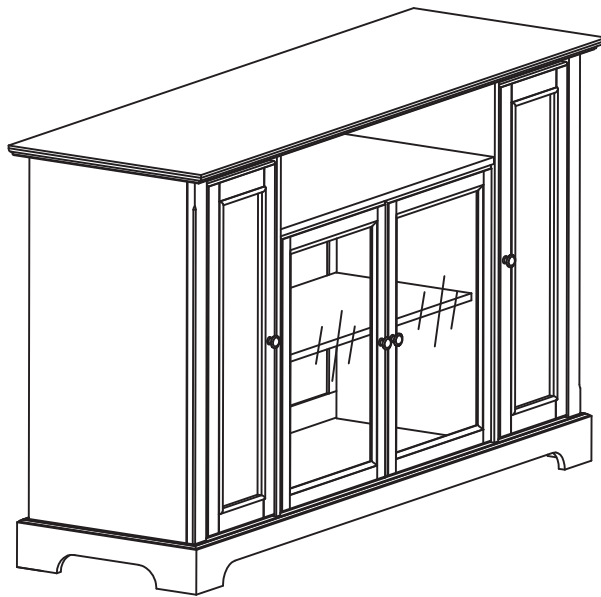
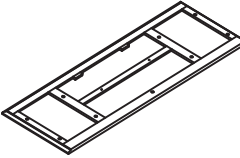
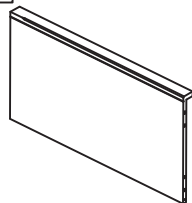
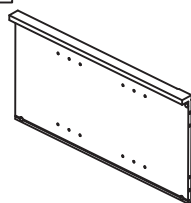
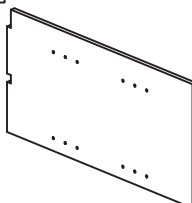
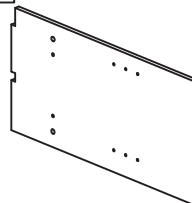

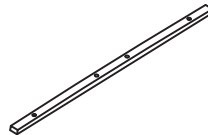


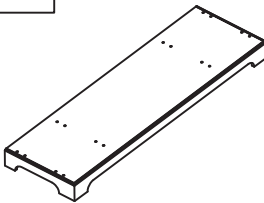
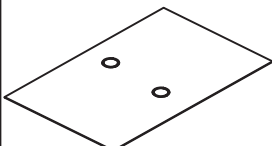
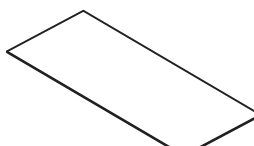
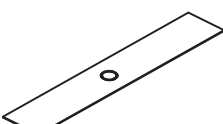

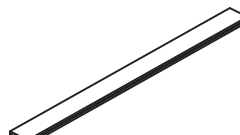
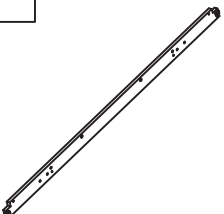
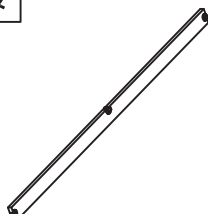
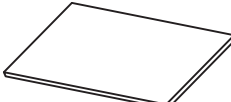
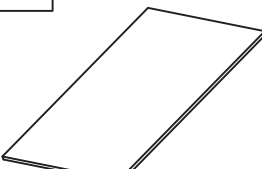
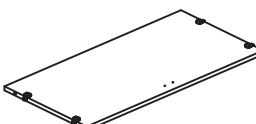
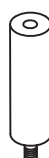




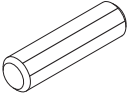
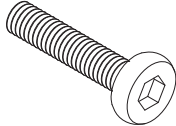

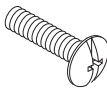
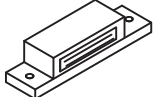
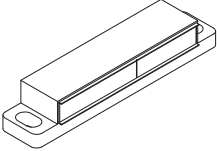
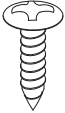


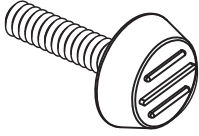
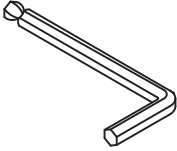
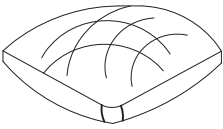
60" TV Stand
CF101060



PART LIST

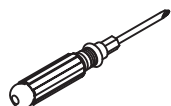
<p>A</p> 	<p>B</p> 	<p>C</p> 	<p>D</p> 	<p>E</p> 
<p>Top Panel 1 PC</p>	<p>Left Side Panel 1 PC</p>	<p>Right Side Panel 1 PC</p>	<p>Left Partition Panel 1 PC</p>	<p>Right Partition Panel 1 PC</p>
<p>F</p> 	<p>G</p> 	<p>H</p> 	<p>I</p> 	<p>J</p> 
<p>Center Door 2 PCS</p>	<p>Top Rail 1 PC</p>	<p>Left Door 1 PC</p>	<p>Right Door 1 PC</p>	<p>Bottom Panel 1PC</p>
<p>K</p> 	<p>L</p> 	<p>M</p> 	<p>N</p> 	<p>O</p> 
<p>Middle Back Panel 1 PC</p>	<p>Side Back Panel 2 PCS</p>	<p>Middle Upper Back Panel 1 PC</p>	<p>Back Partition Rail 2 PCS</p>	<p>Back Middle Rail 1 PC</p>
<p>P</p> 	<p>Q</p> 	<p>R</p> 	<p>S</p> 	<p>T</p> 
<p>Front Top Rail 1 PC</p>	<p>Back Upper & Lower Rail 2 PCS</p>	<p>Side Adjustable Shelf 4 PCS</p>	<p>Middle Adjustable Shelf 1 PC</p>	<p>Fixed Shelf 1 PC</p>
<p>U</p>  <p>Support Leg 2 PCS</p>				

HARDWARE LIST

<p>#1</p> 	<p>#2</p>  <p>1-3/4"Ø1/4"D11mm</p>	<p>#3</p> 	<p>#4</p>  <p>3/4"Ø5/32"D9mm</p>	<p>#5</p> 
<p>Wood Dowel 29 PCS(Extra 1)</p>	<p>Hex Socket Head Bolt 9 PCS(Extra 1)</p>	<p>Knob 4 PCS</p>	<p>Round Head Bolt 5 PCS(Extra 1)</p>	<p>Magnet 2 PCS</p>
<p>#6</p> 	<p>#7</p>  <p>14*Ø3*D6mm</p>	<p>#8</p> 	<p>#9</p>  <p>1-1/4"Ø4*D8mm</p>	<p>#10</p> 
<p>Double Magnet 2 PCS</p>	<p>Round Head Screw 9 PCS(Extra 1)</p>	<p>Shelf Holder 20 PCS</p>	<p>Screw 9 PCS(Extra 1)</p>	<p>Adjustable Leveler 6 PCS</p>
<p>#11</p> 	<p>#12</p> 			
<p>Allen Wrench 1 PC</p>	<p>Safety Strap Kit 1 PC</p>			

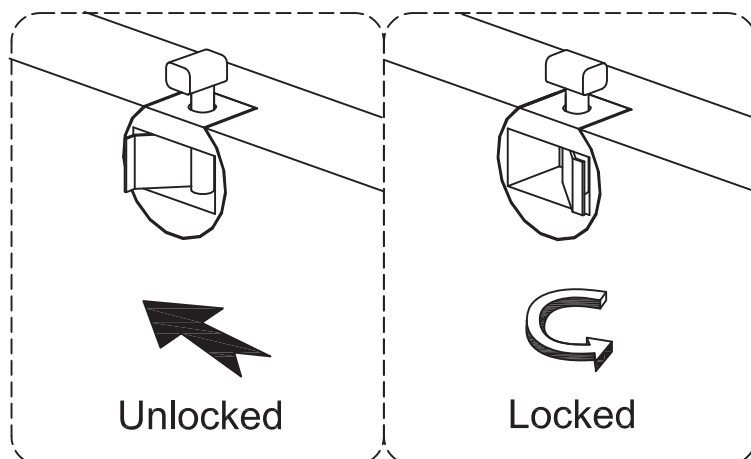
ADDITIONAL TOOLS (Not Provided)

Note:It is not recommended to use power tools during assembly.



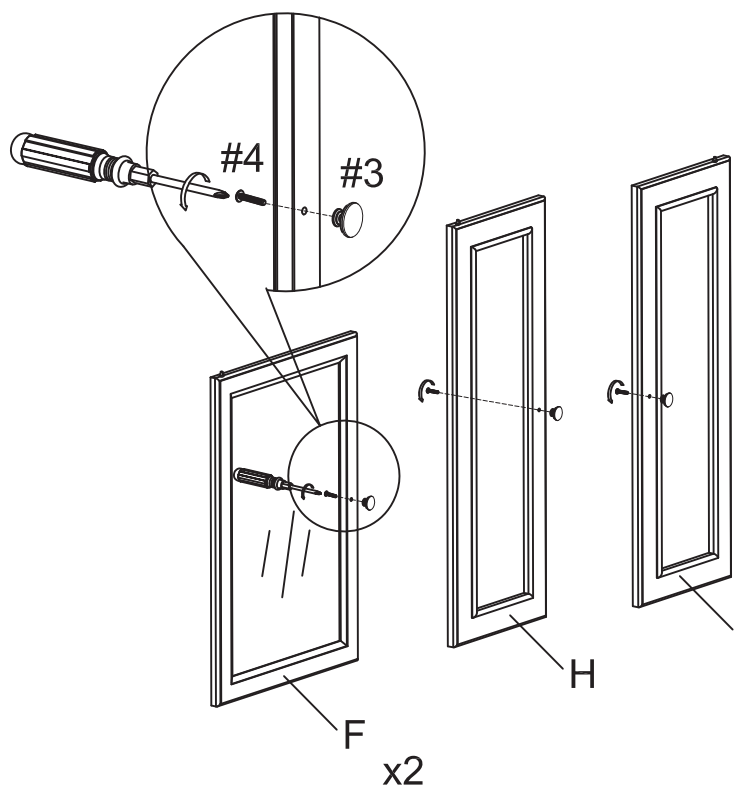
Phillips Head Screwdriver

Please do not use tools to assemble this unit unless specifically indicated.

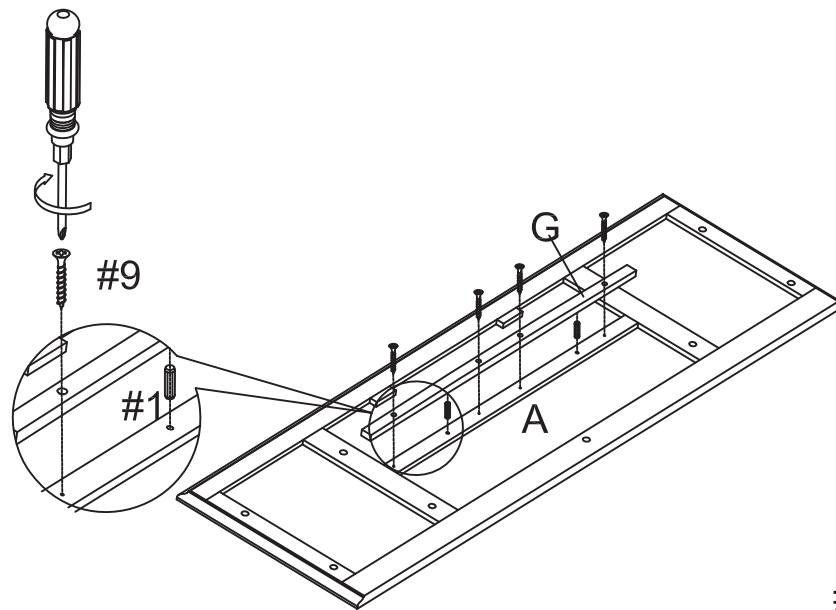


Reference the images above any time the instructions state "lock the hardware".
Note: Be sure to check all hardware is locked when completed.

Step 1. Attach knobs (part #3) to center doors (part F), left door (part H) and right door (part I) using round head bolts (part #4) and Phillips head screwdriver.

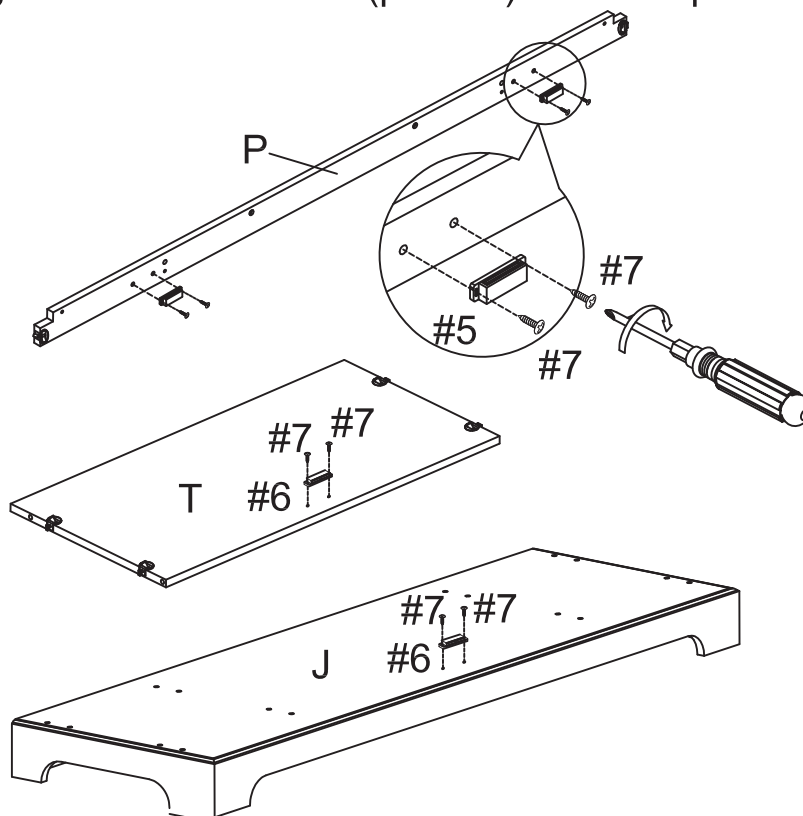


Step 2 . Attach top rail (part G) to top panel (part A) using wood dowels (part #1), screws (part #9), and Phillips head screwdriver.



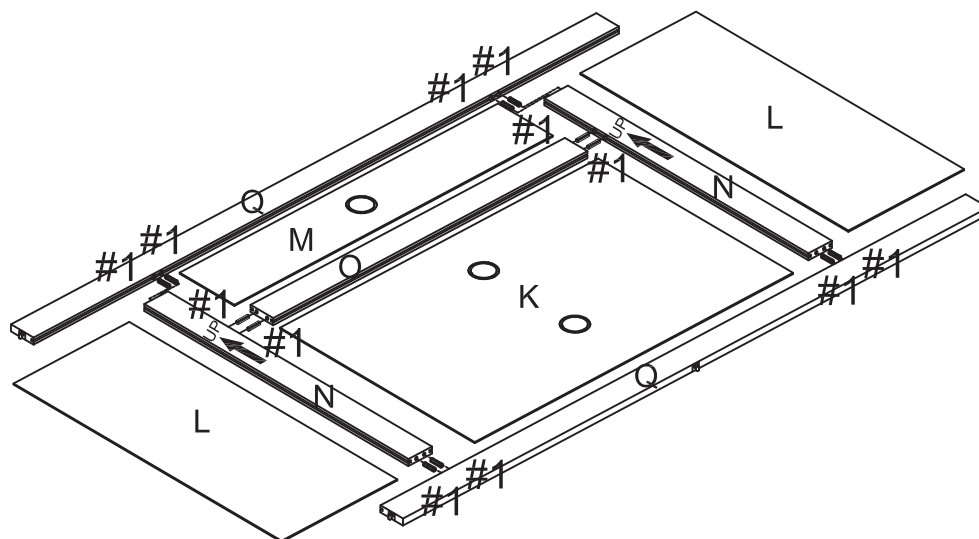
#1  x2
 #9  x4

Step 3 . Attach magnets (part #5) to front top rail (part P) using round head screws (part #7) and Phillips head screwdriver. Attach double magnets (part #6) to fixed shelf (part T) and bottom panel (part J) using round head screws (part #7) and Phillips head screwdriver.



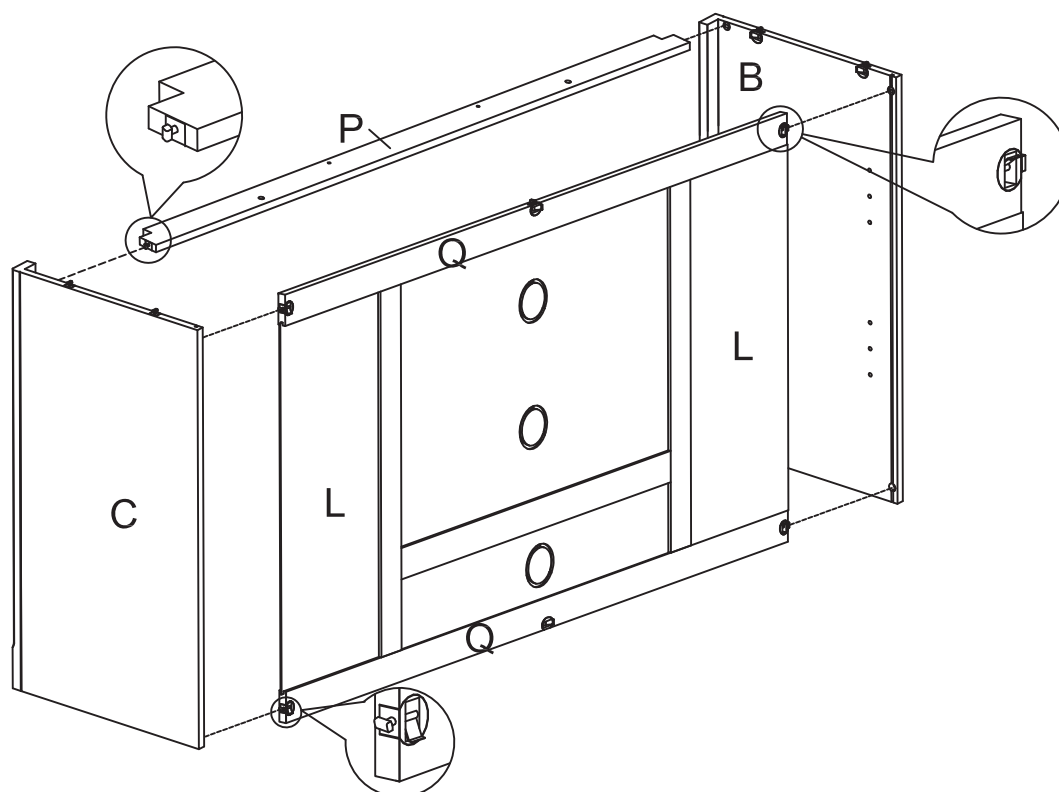
#5  x2
 #6  x2
 #7  x8

Step 4 . Attach back partition rails (part N) to back middle rail (part O) using wood dowels (part #1). Slide middle upper back panel (part M) and middle back panel (part K) into place. Attach back upper and lower rail (part Q) to back partition rails (part N) using wood dowels (part #1), and slide side back panels (part L) into place.

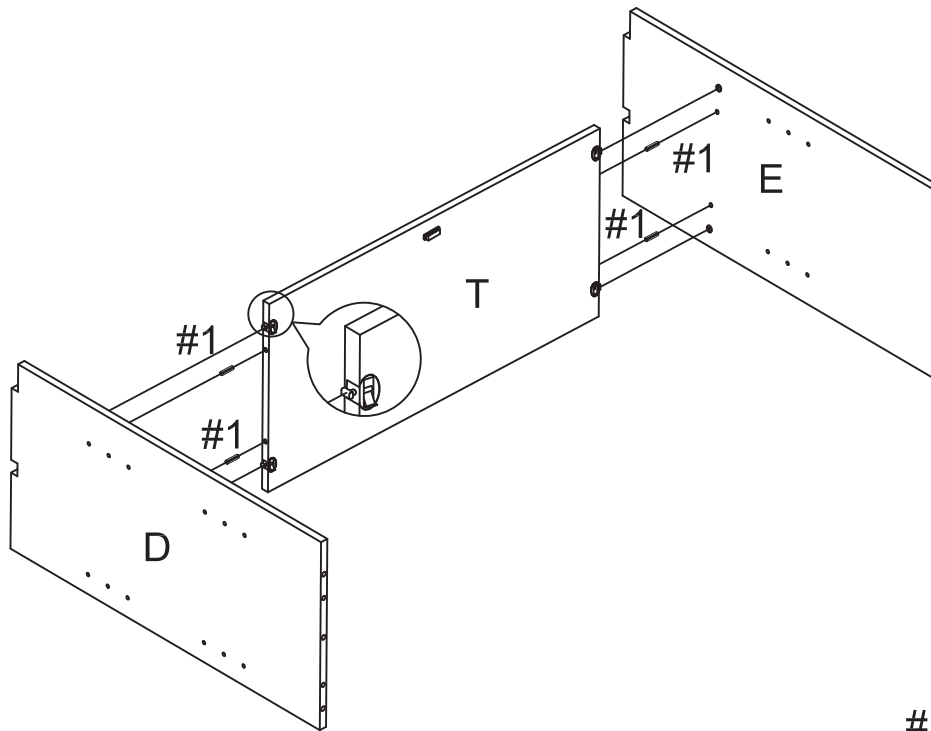


#1  x12

Step 5 . Carefully lift back panel assembly as shown. Attach left and right side panels (parts B & C) to back upper and lower rails (part Q) and front top rail (part P) as shown, and lock the hardware.

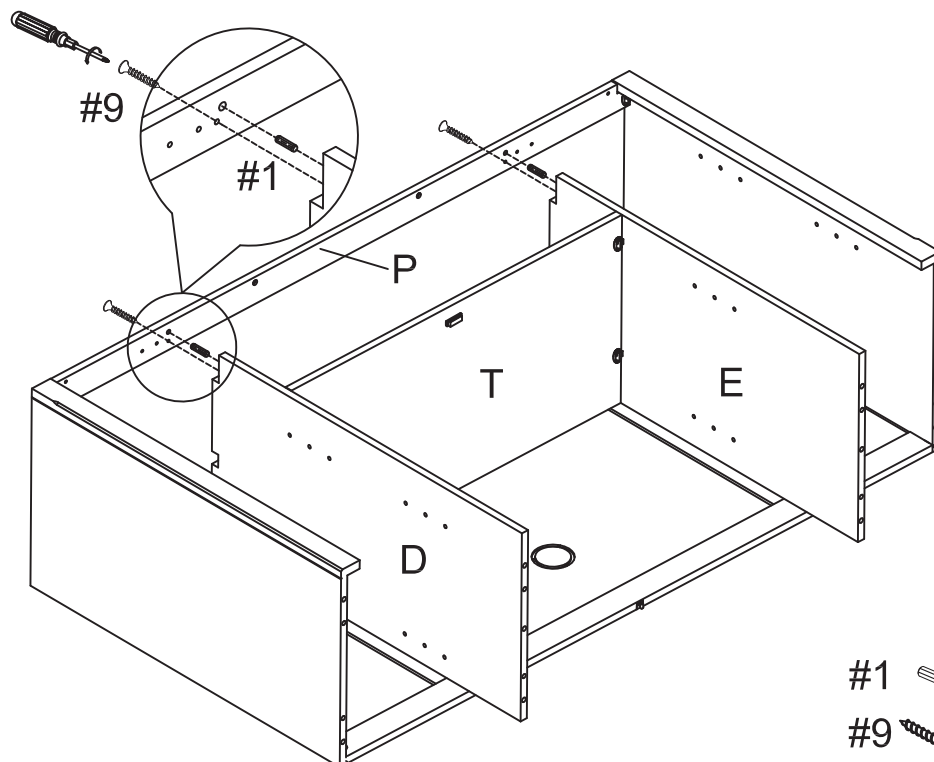


Step 6 . Attach left partition panel (part D) and right partition panel (part E) to fixed shelf (part T) using wood dowels (part #1), and lock the hardware.



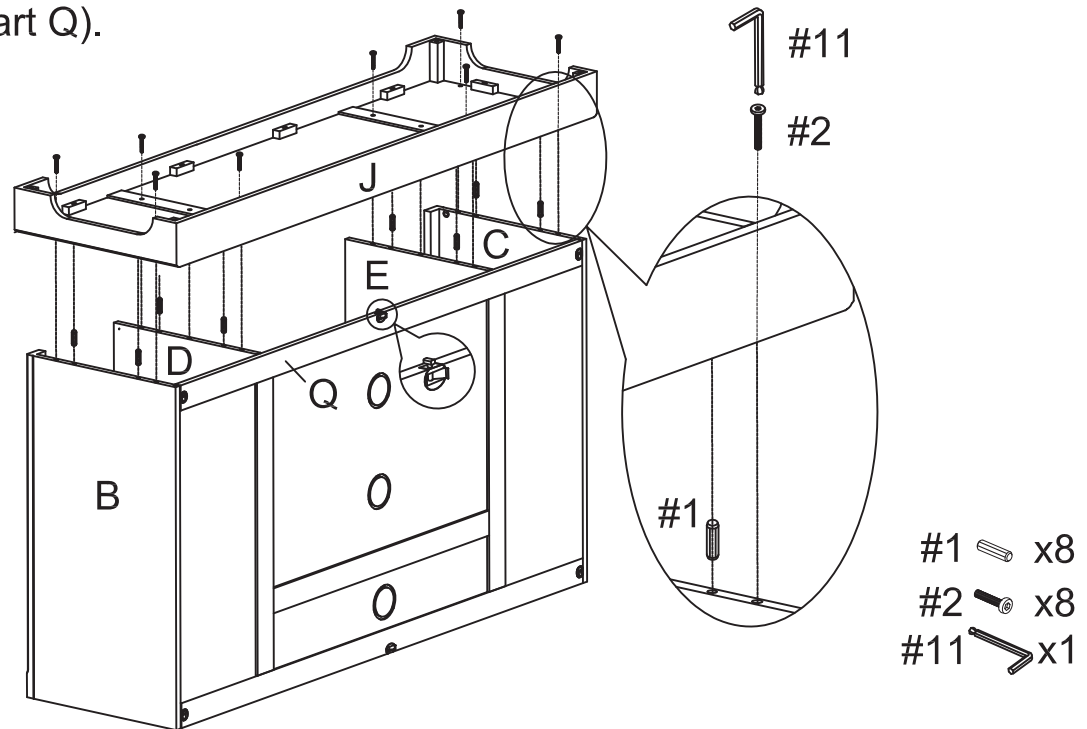
#1  x4

Step 7 . Carefully lay assembled unit from Step 5 on its back, and place assembled unit from Step 6 inside as shown. Attach left partition panel (part D) and right partition panel (part E) to front top rail (part P) using wood dowels (part #1), screws (part #9), and Phillip head screwdriver.

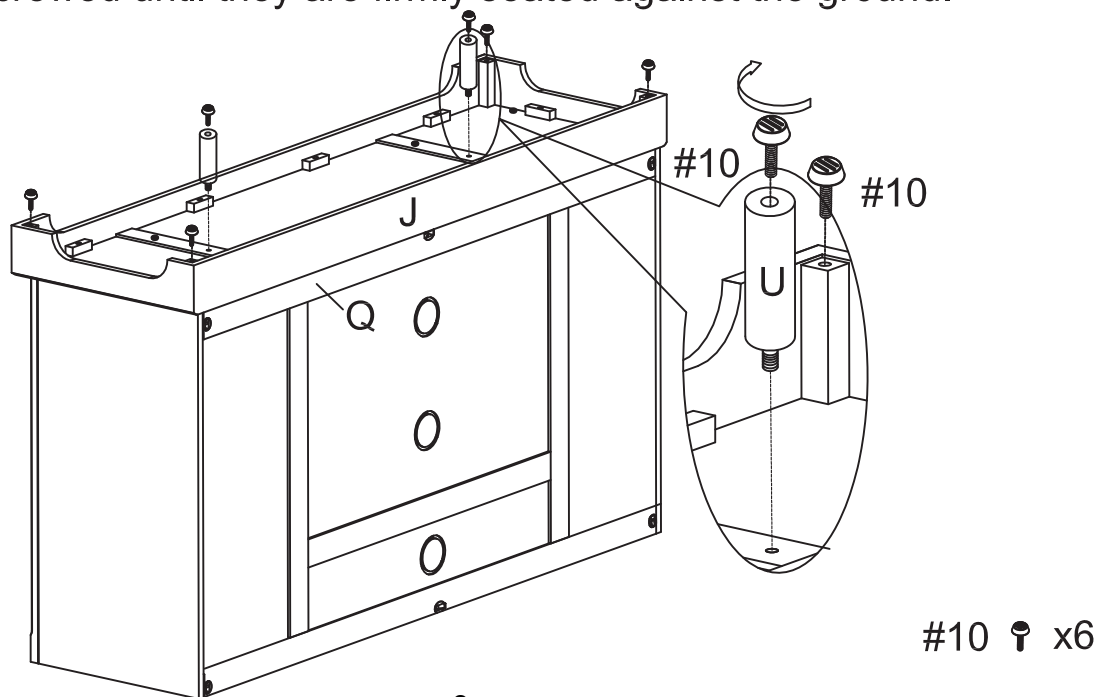


#1  x2
 #9  x2

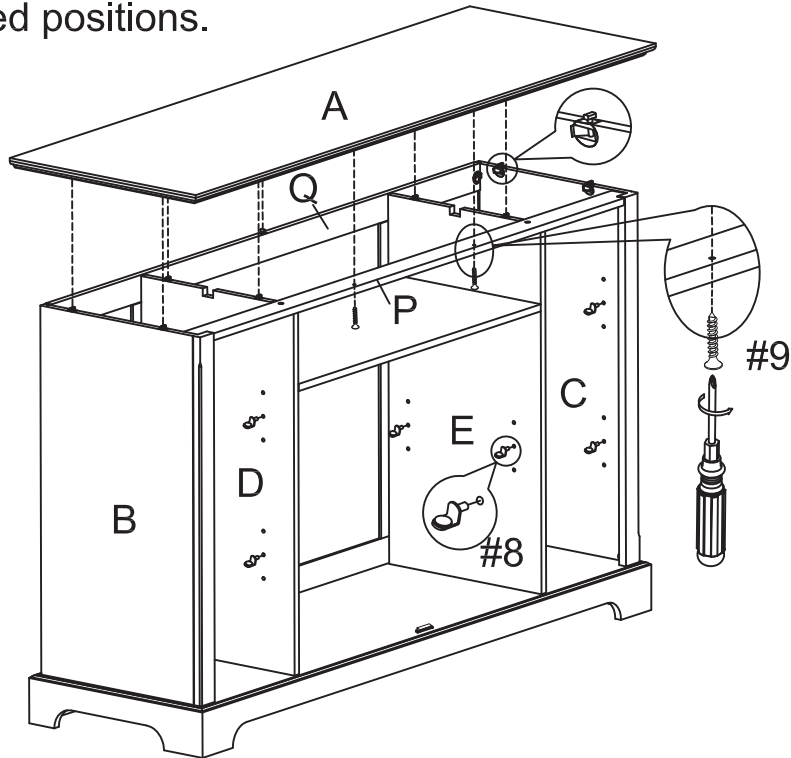
Step 8 . Carefully turn assembled unit upside down on a soft surface such as carpet as shown below. Attach bottom panel (part J) to left side panel (part B), right side panel (part C), left partition panel (part D), right partition panel (part E) and back upper and lower rail (part Q) using wood dowels (part #1), hex socket head bolts (part #2), and allen wrench (part #11). Lock the hardware on back upper and lower rail (part Q).



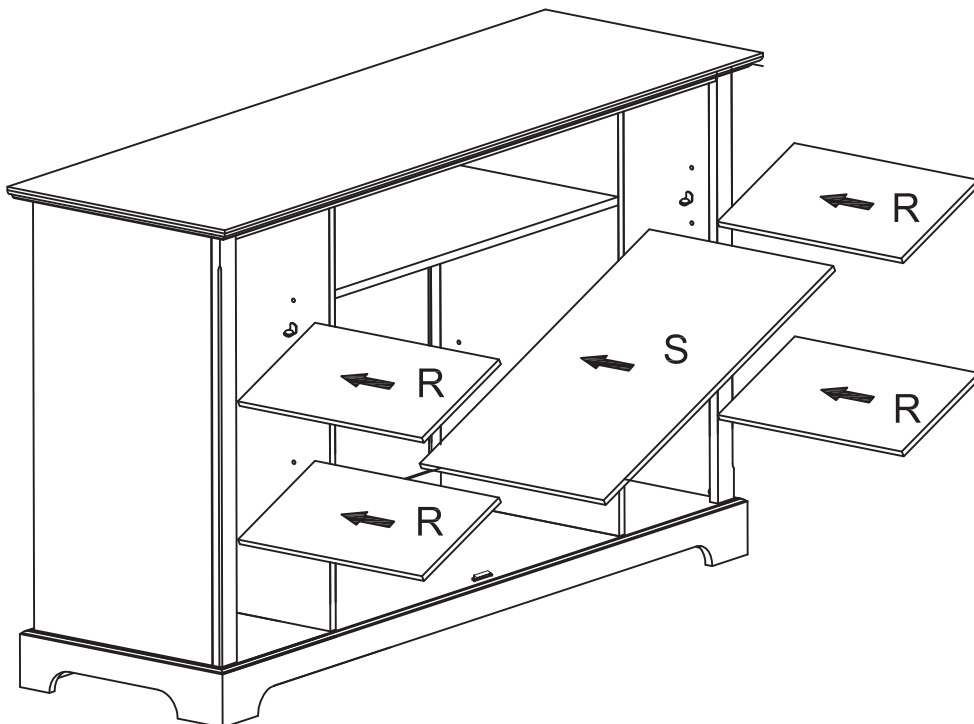
Step 9 . Screw support legs (part U) into bottom panel (part J). Screw adjustable levelers (part #10) into bottom panel (part J) and support legs (part U) as shown. **IMPORTANT:** Once unit is fully assembled, make sure adjustable levelers (part #10) on support legs (part U) are unscrewed until they are firmly seated against the ground.



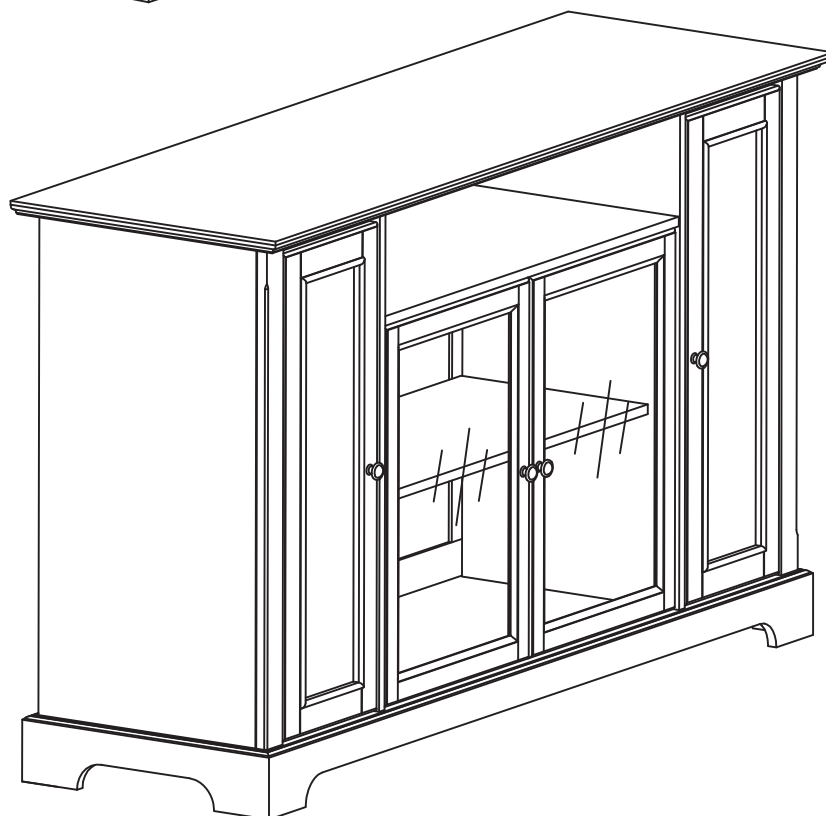
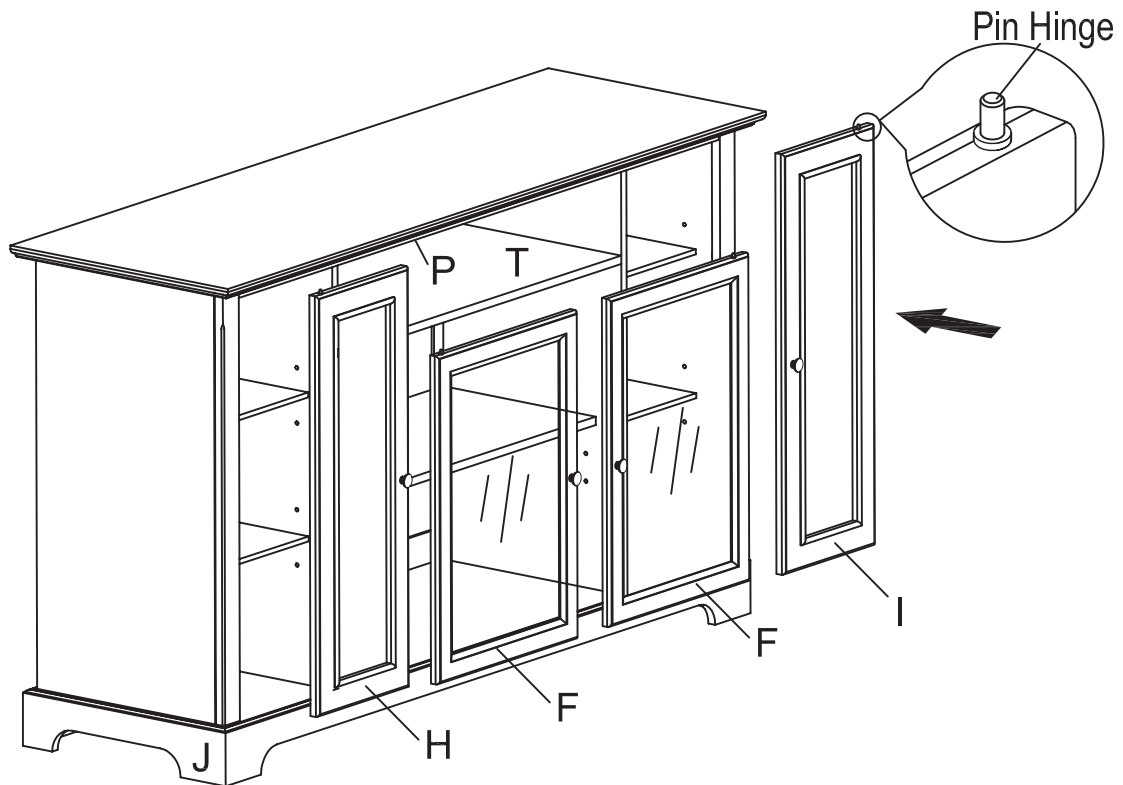
Step 10 . Carefully turn the unit upright as shown below. Attach top panel (part A) to left side panel (part B), right side panel (part C), left partition panel (part D), right partition panel (part E) and back upper and lower rail (part Q) by locking the hardware. Attach top panel (part A) to front top rail (part P) using screws (part #9) and Phillips head screw driver. Place shelf holders (part #8) into desired positions.


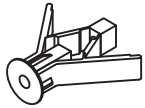



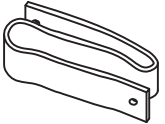


Step 11 . Insert side adjustable shelves (part R) and middle adjustable shelf (part S) into place.



Step 12 . Install center, left and right doors (parts F, H & I) by placing the bottom pin hinges (pre-installed in doors) in the pre-drilled holes of bottom panel (part J), and then depressing the top spring-loaded hinges so they can be placed in the pre-drilled holes of fixed shelf (part T) and front top rail (part P). **IMPORTANT:** Once unit is fully assembled, make sure adjustable levelers (part #10) on support legs (part U) are unscrewed until firmly seated against the ground.



#12	A	B	C	D	E
			 D8*3/4"	 D8*1-1/2"	
SAFETY STRAP KIT 1 PC	WALL ANCHOR Ax1 PC	WASHER Bx2PCS	SHORT SCREW Cx1PC	LONG SCREW Dx1PC	SAFETY WALL STRAP Ex1PC

1.) Insert short screw (part C) through washer (part B) and safety wall strap (part E), and attach to top panel (part A) using Phillips head screwdriver.

2.) Drill a 11/32" (6 mm) hole where you want to secure the unit. The drilled hole will be at the same height as the hole in top panel (part A) where the safety strap is attached. Tap wall anchor (part A) into the hole.

3.) Insert long screw (part D) through washer (part B) and safety wall strap (part E) into wall anchor (part A) using a Phillips head screwdriver.

