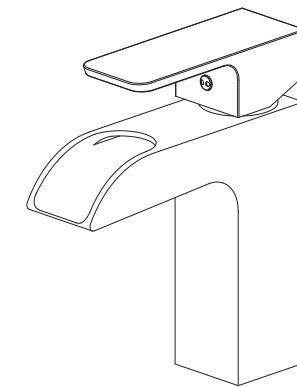


Daily cleaning and care are required in order to keep the product shining and properly working.

- 1 Clean it with water and dry it with soft cloth.
- 2 Clean the product with gentle liquid or glass cleaner.
- 3 Don't use acid cleaner.
- 4 Don't clean with abrasive material, abrasive paper or knife.

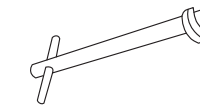


SINGLE LEVER LAVATORY FAUCET

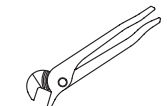


ASME A112.18.1/CSAB125.1

RECOMMENDED TOOLS



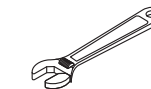
Basin wrench



Channel Locks



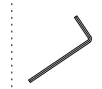
Goggles



Adjustable Wrench



Teflon tape

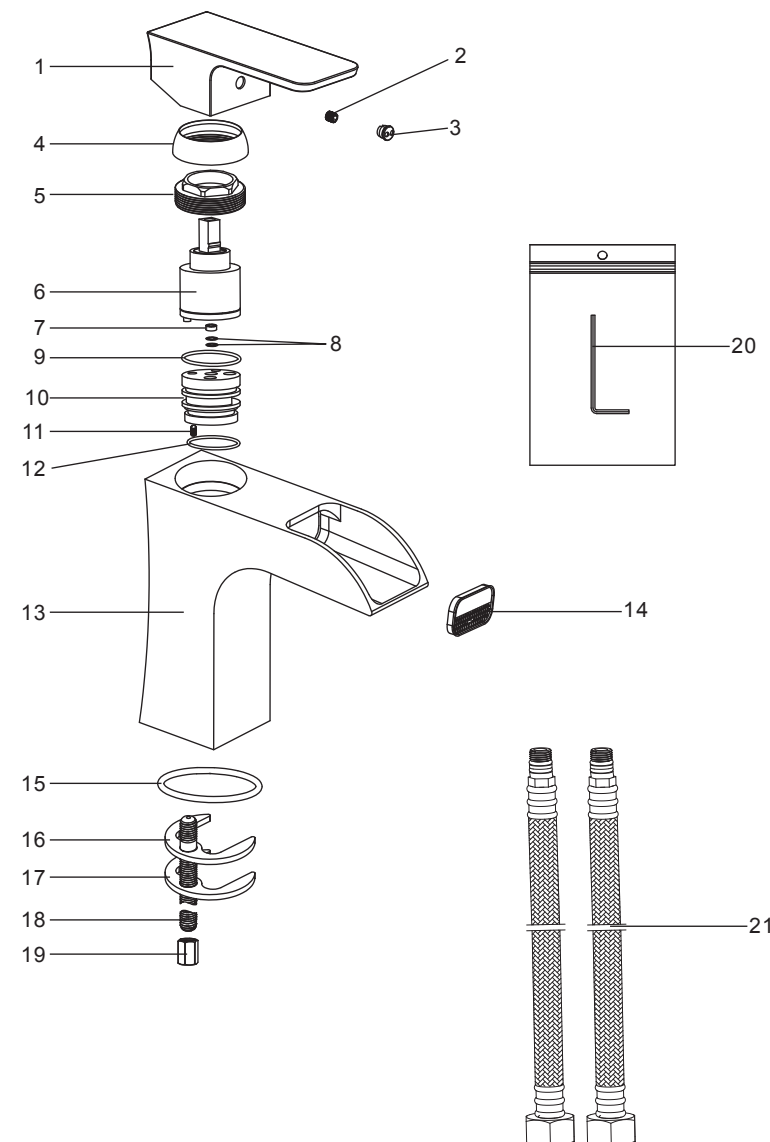


Allen key

WARNING:
Please keep the tool for future use!



Attention:
for easy installation, you will need:
1. To read all the installation instruction completely before beginning.
2. To read all the warning, attention and maintenance information.
3. To purchase the proper supply lines.



NO.	PART NAME
1	Handle
2	Screw
3	Index
4	Trim cap
5	Cartridge lock nut
6	Cartridge
7	Flow restricter
8	Screen filter
9	O-ring
10	Cartridge seat
11	Screw
12	O-ring
13	Body
14	Aerator
15	O-ring
16	Rubber washer
17	Clamp
18	Screw
19	Lock nut
20	Allen key
21	Flexible hose

The tools might be applied to the following places:

