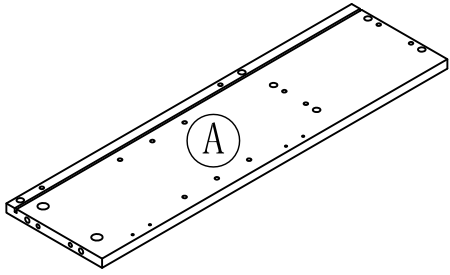


531962

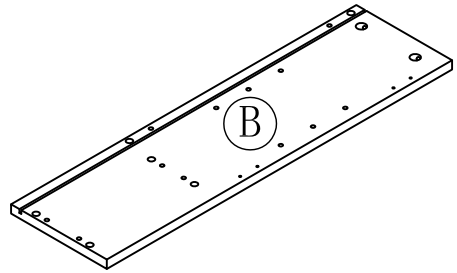
# ASSEMBLY INSTRUCTIONS

---

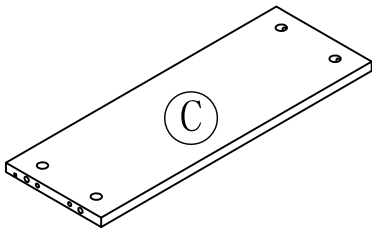
# PARTS LIST:



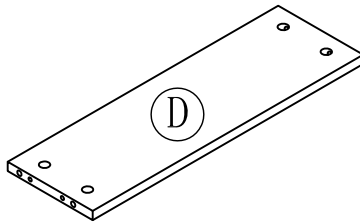
LEFT SIDE PANEL 1PC



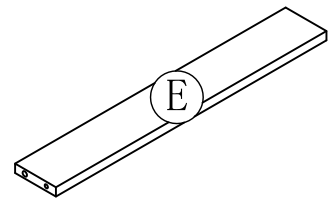
RIGHT SIDE PANEL 1PC



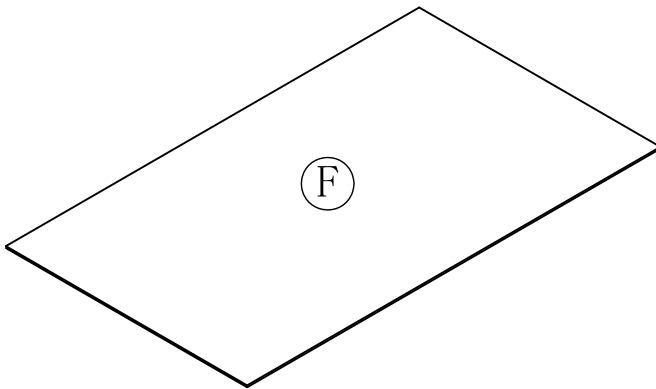
BOTTOM PANEL 1PC



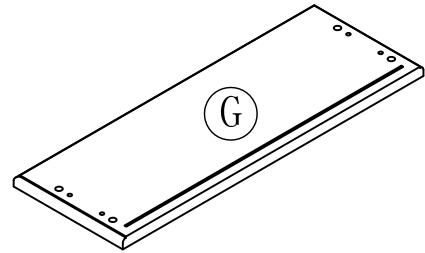
FIXED PANEL 1PC



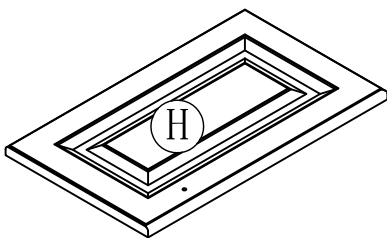
BACK CROSS BRACE 2PCS



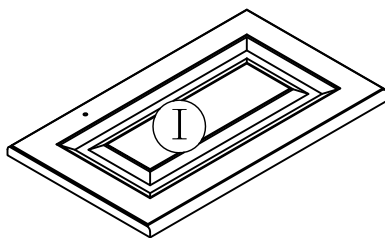
BACK PANEL 1PC



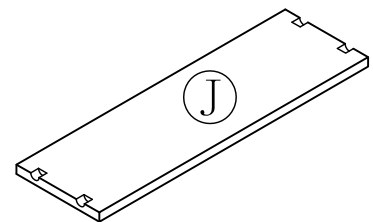
TOP PANEL 1PC



LEFT DOOR 1PC



RIGHT DOOR 1PC

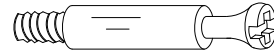


ADJUSTABLE PANEL 1PC

# HARDWARE LIST:



a. WOOD DOWEL 16PCS



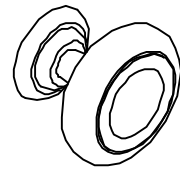
b. CAM LOCK SCREW 16PCS



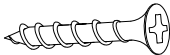
c. CAM LOCK 16PCS



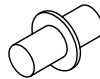
d. KNOB BOLT 2PCS



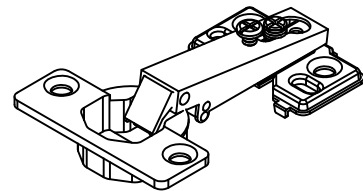
e. KNOB 2PCS



f. 5/8" FLAT HEAD  
SCREW 24PCS



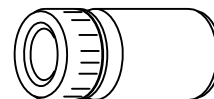
h. PIN 4PCS



g. HINGE 4PCS

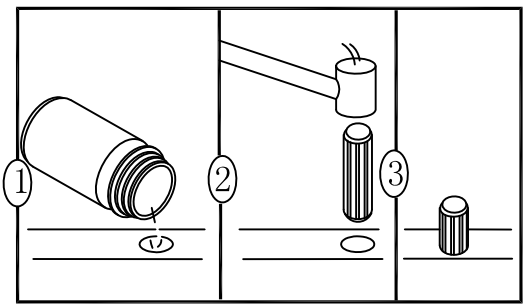
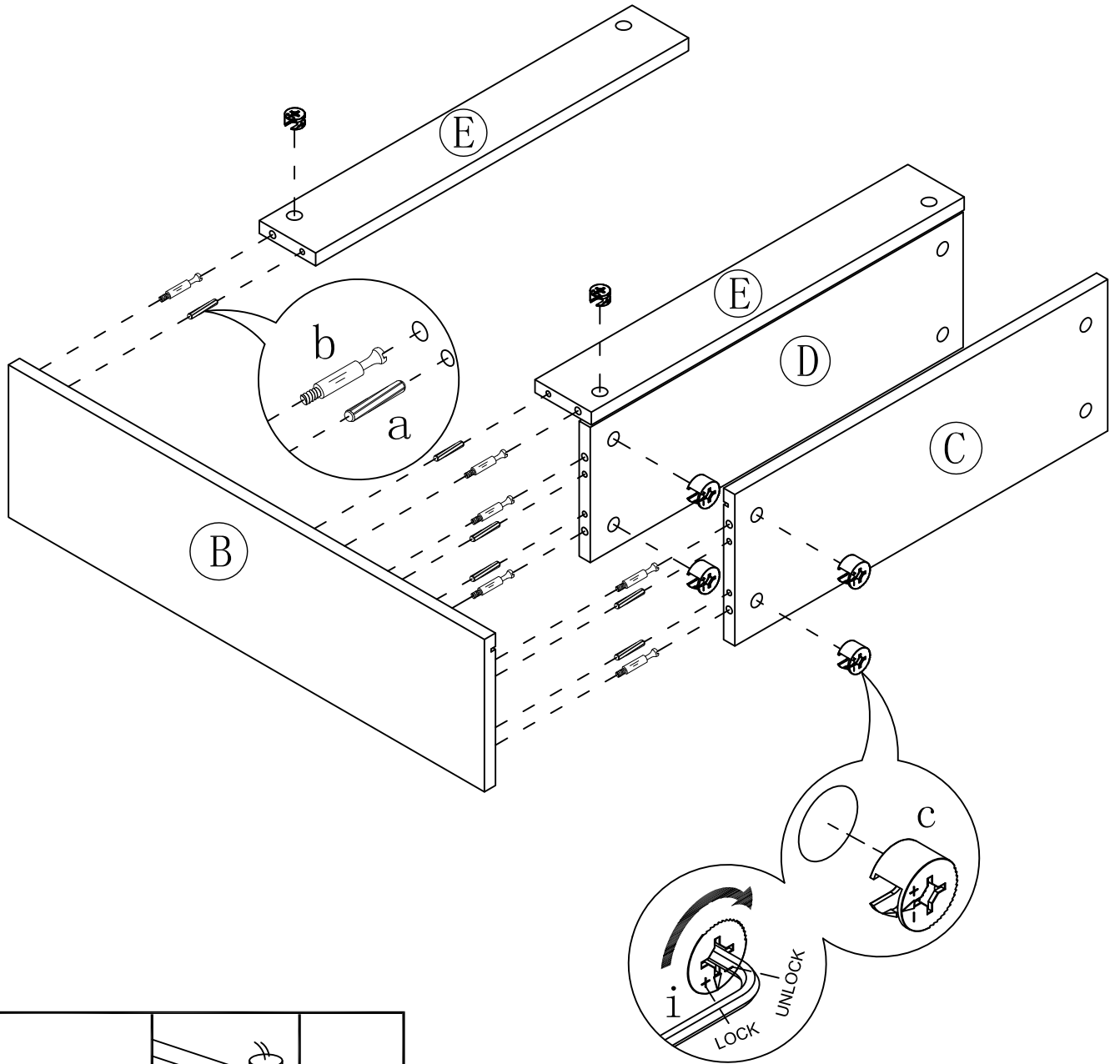


i. "L" WRENCH 1PC

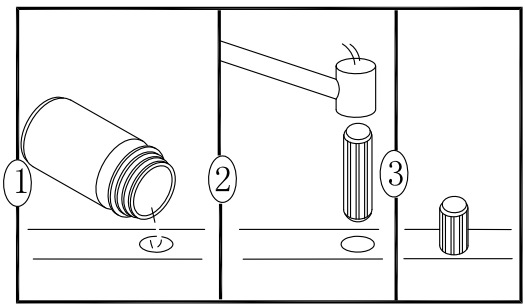
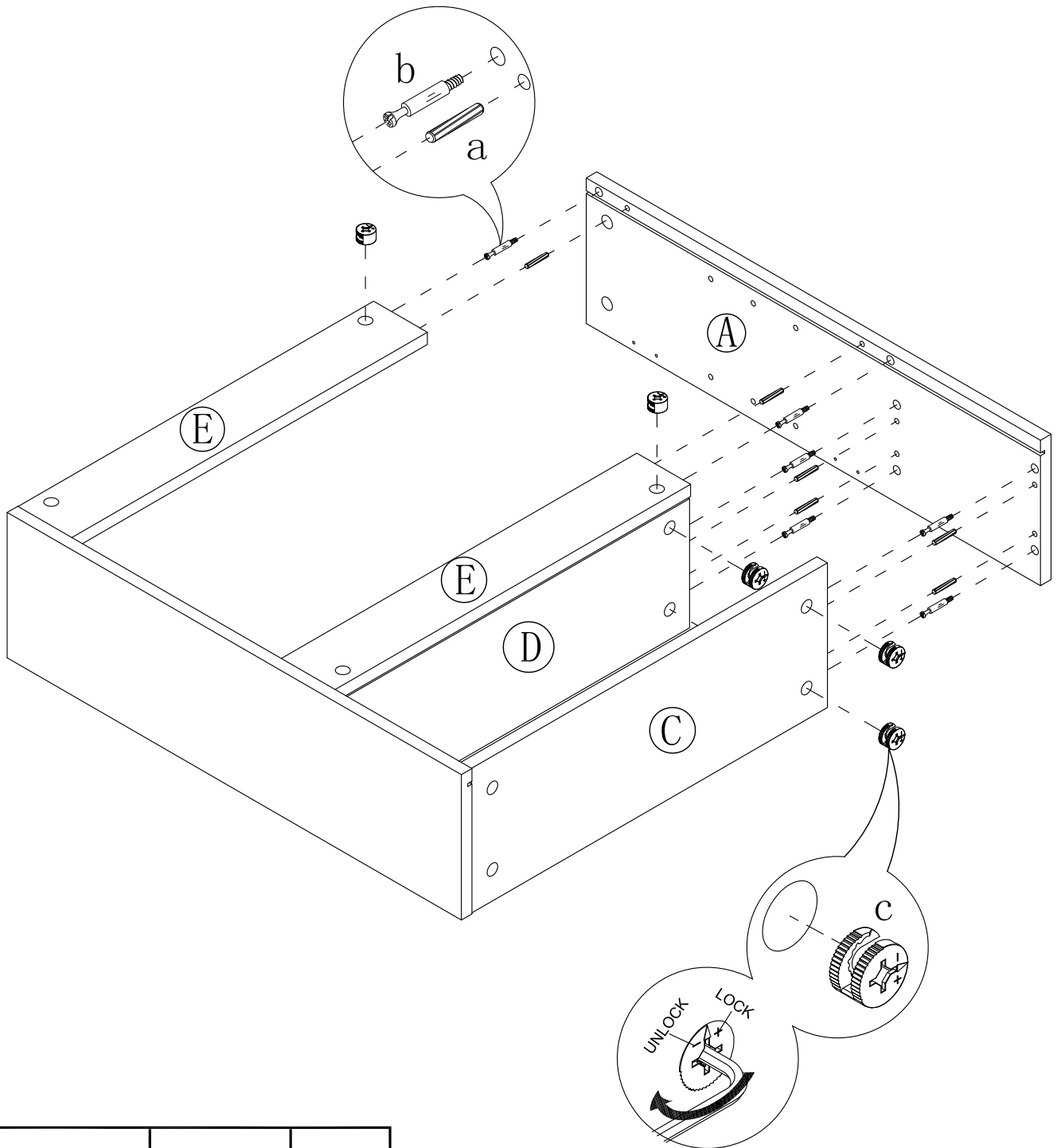


j. GLUE 1PC

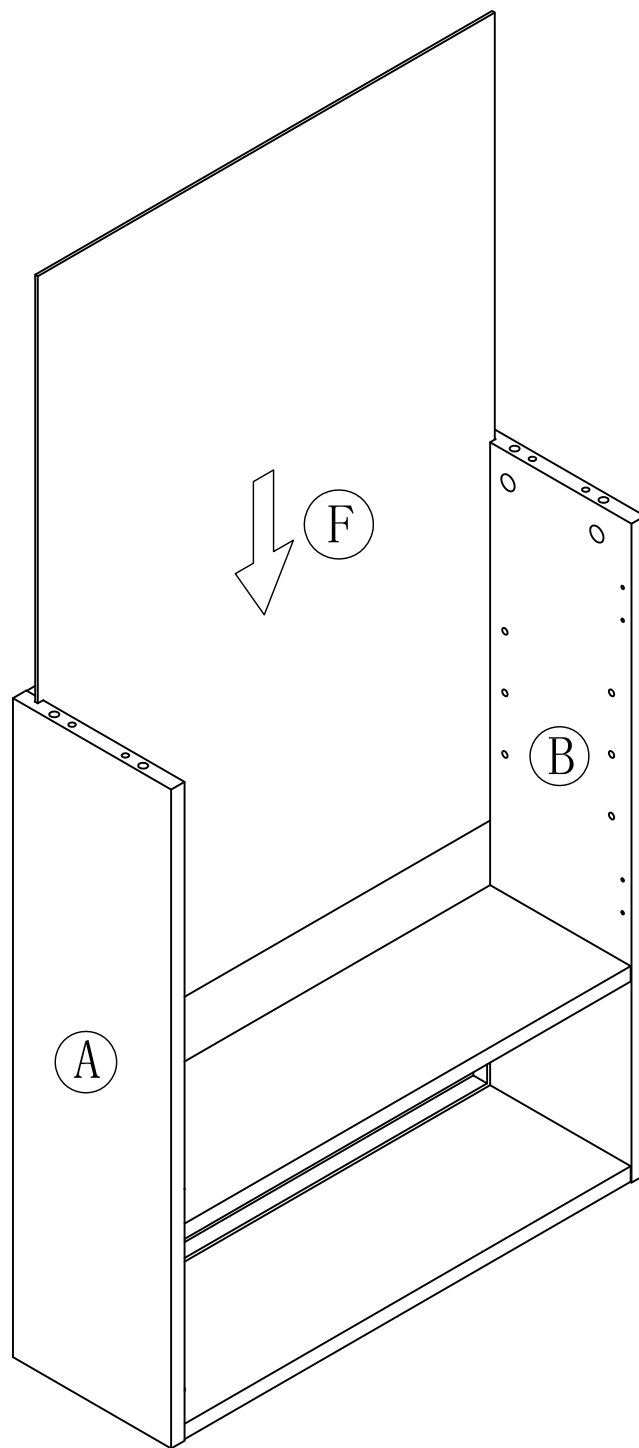
# STEP 1



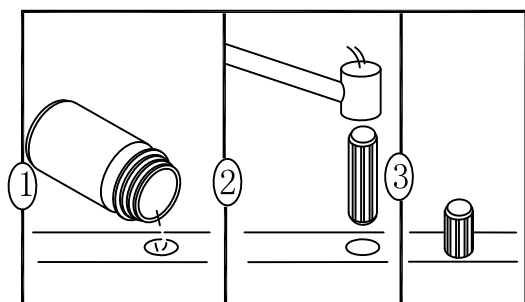
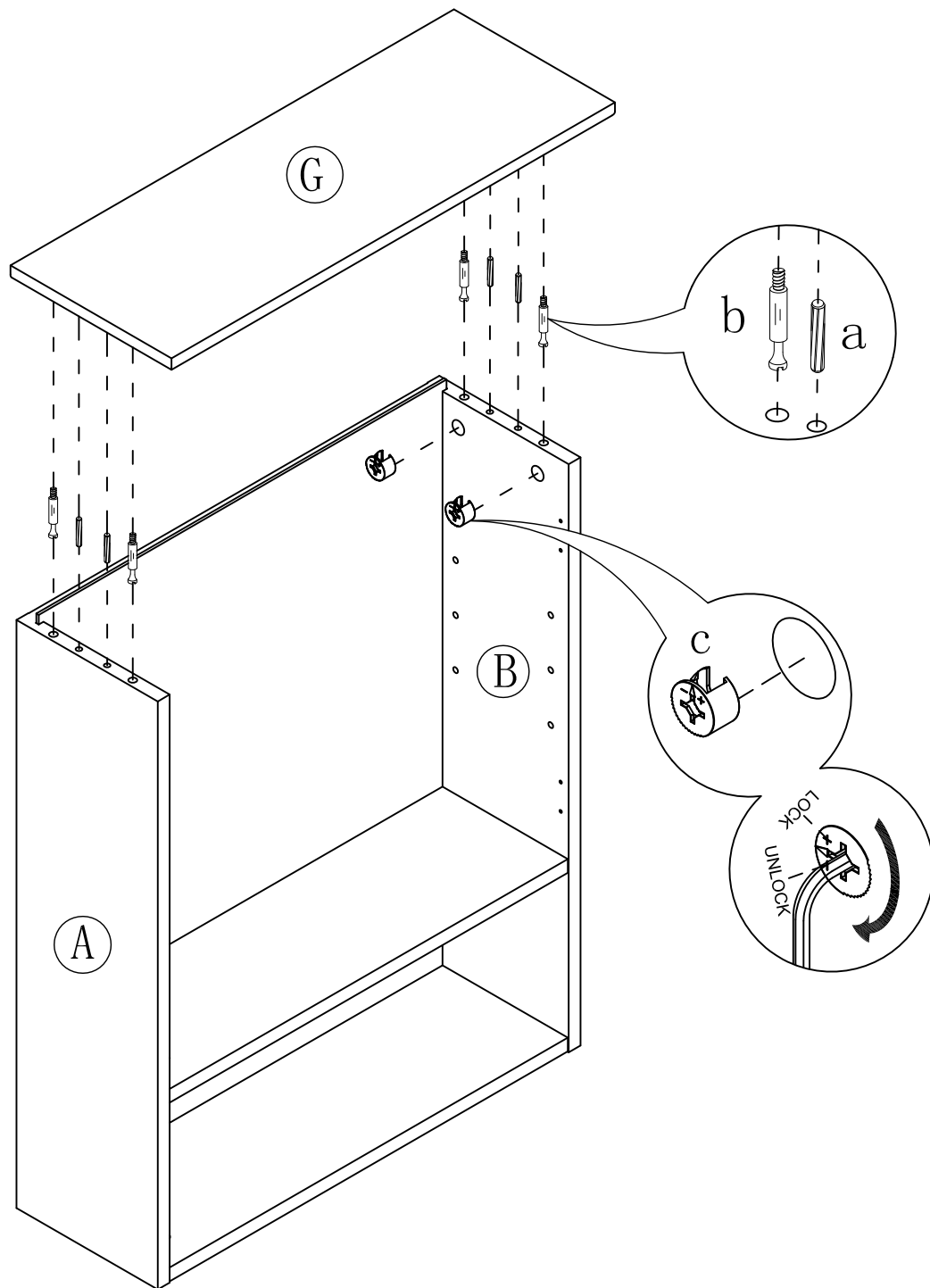
# STEP 2



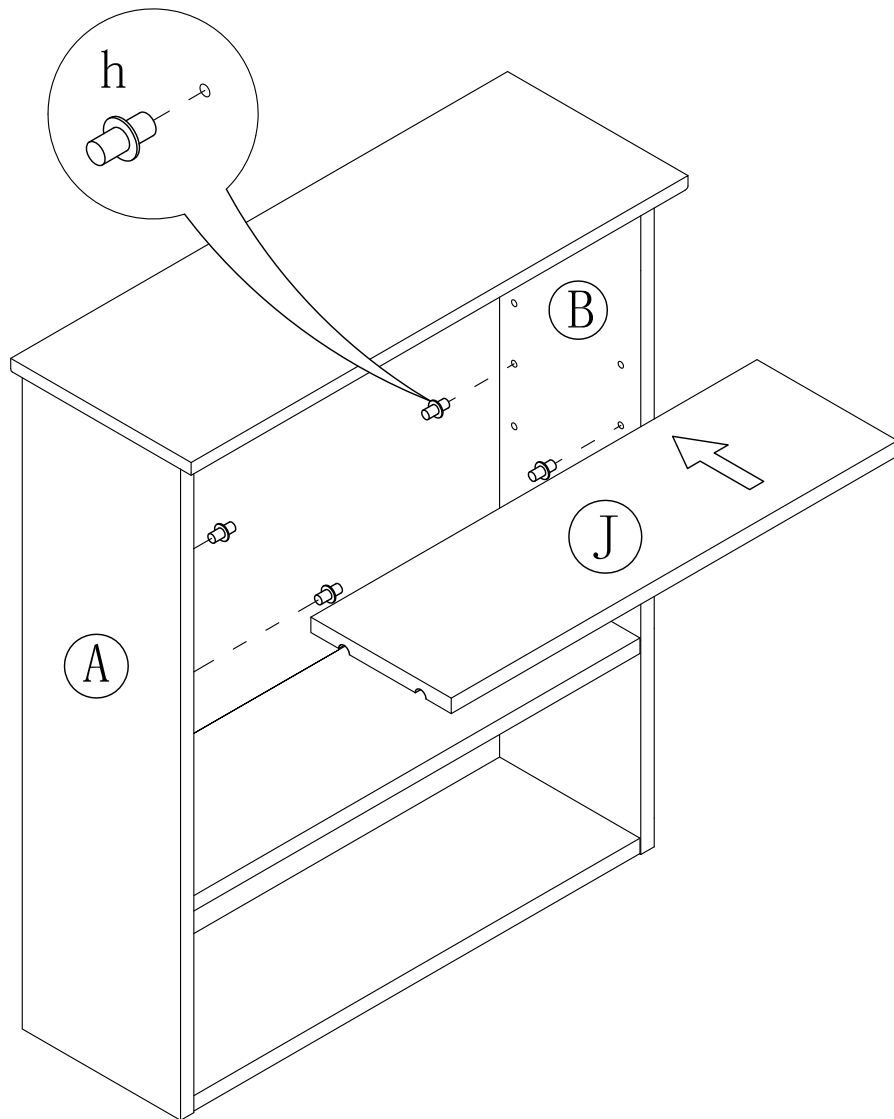
STEP 3



# STEP 4

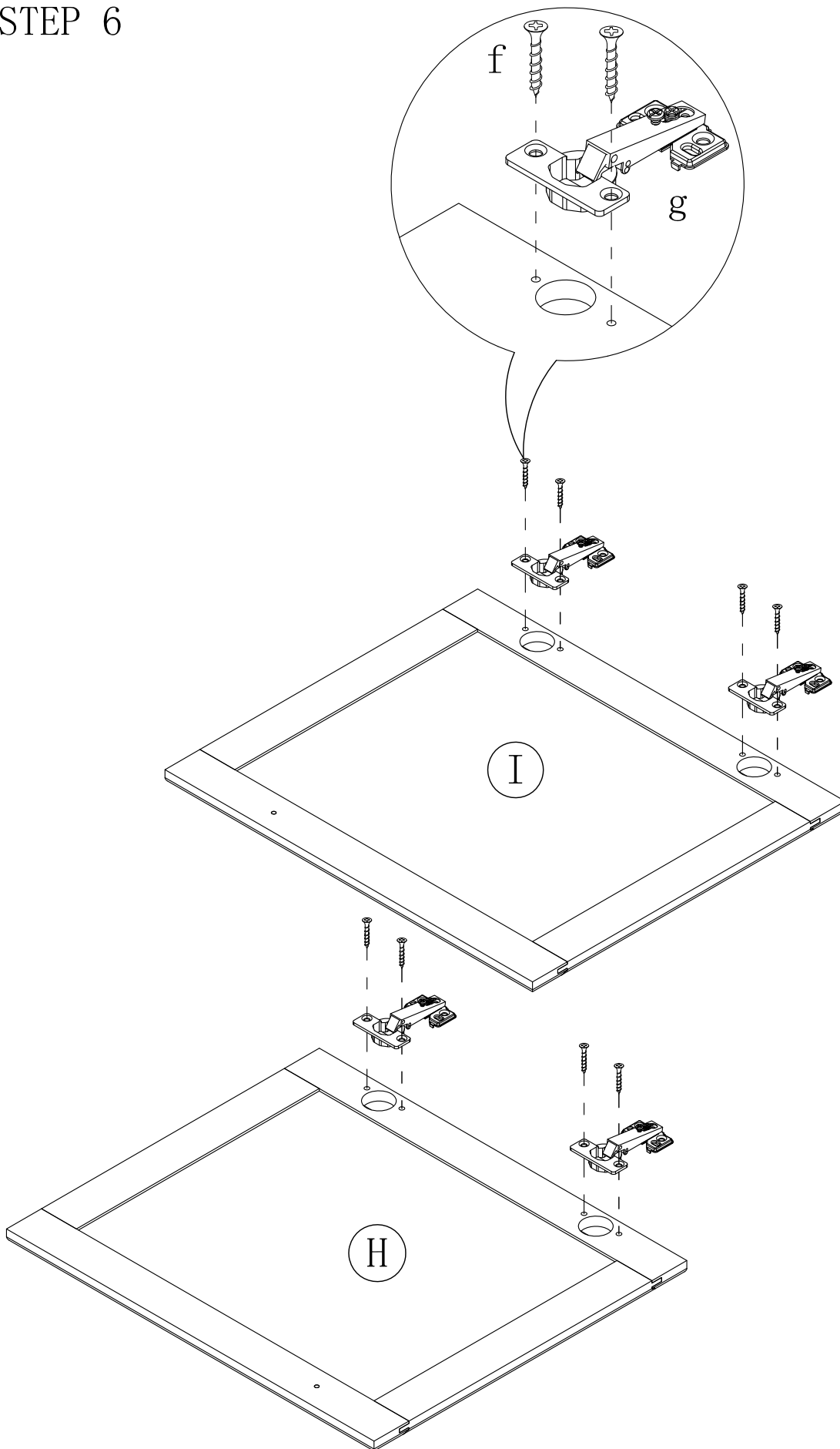


# STEP 5

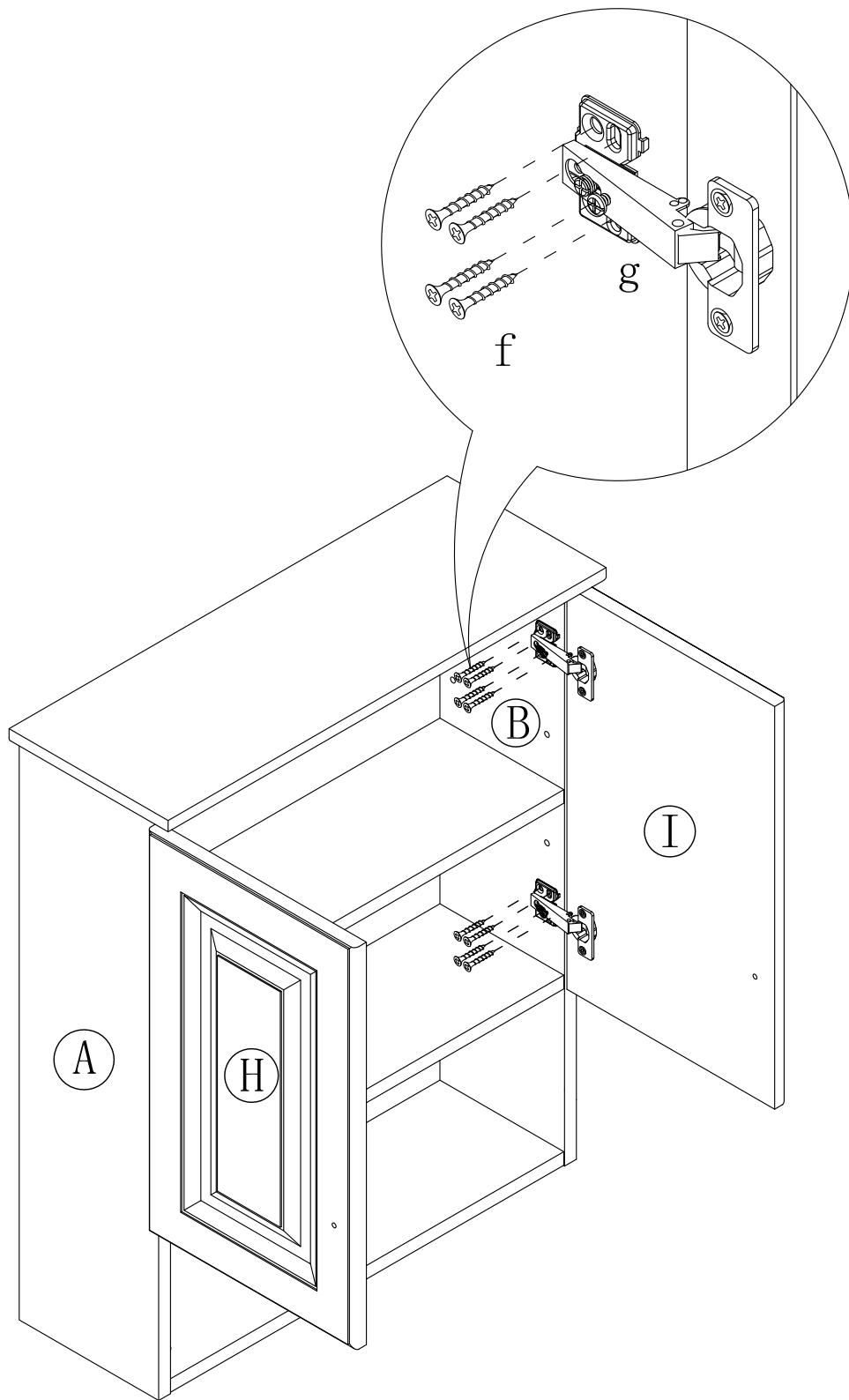




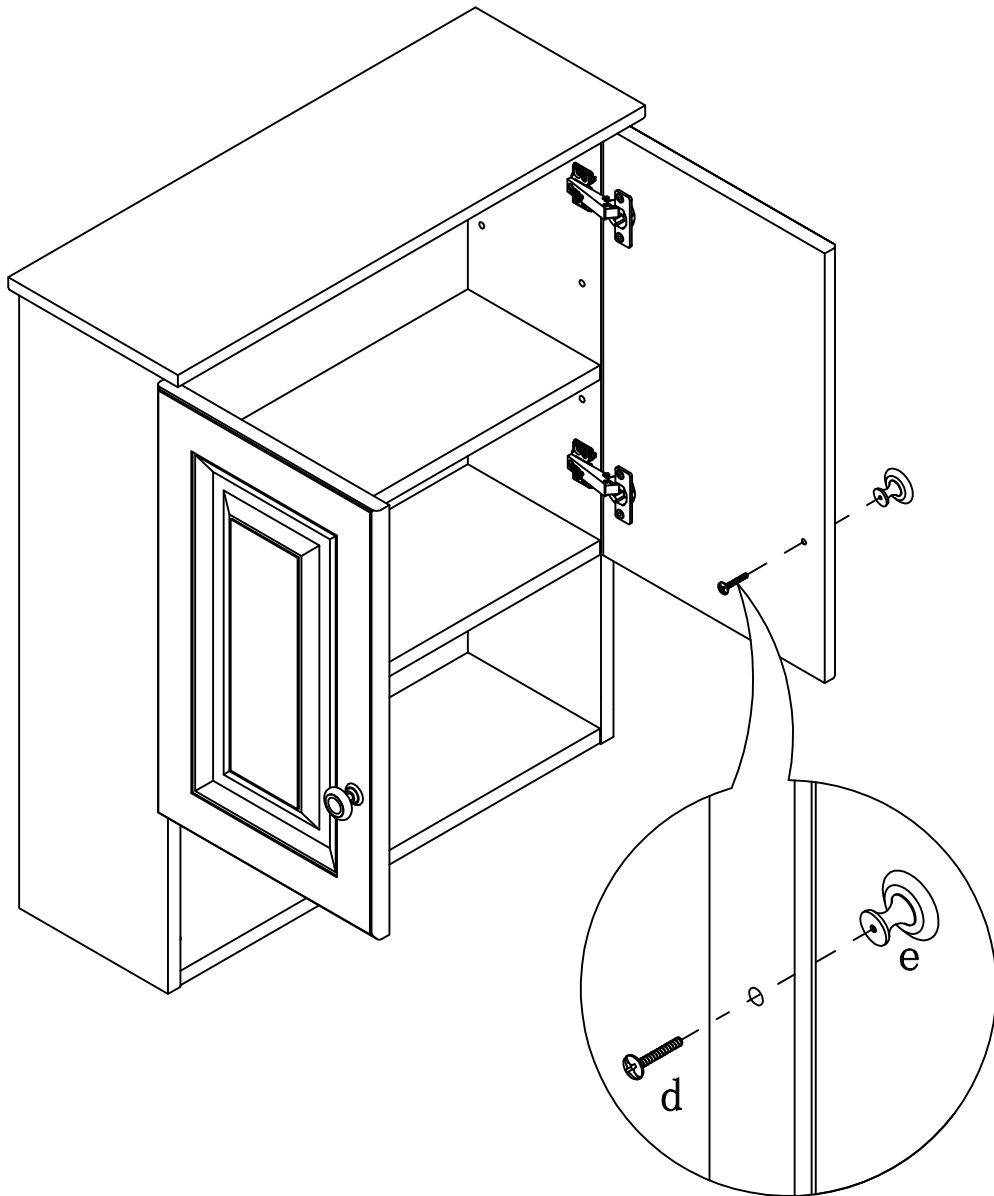
# STEP 6



STEP 7



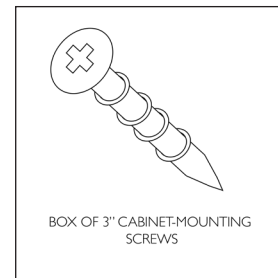
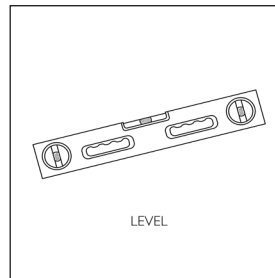
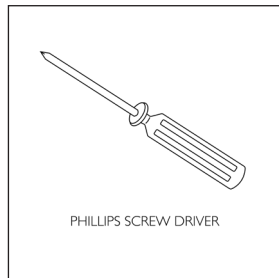
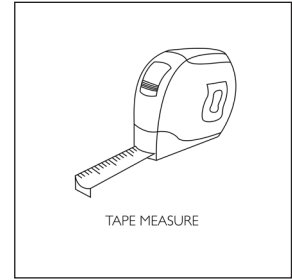
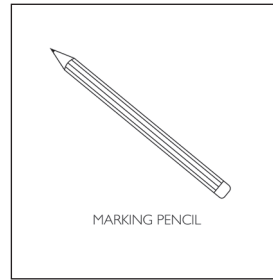
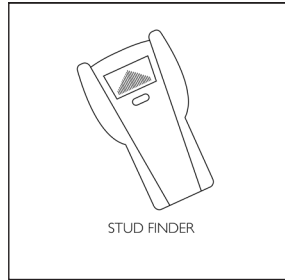
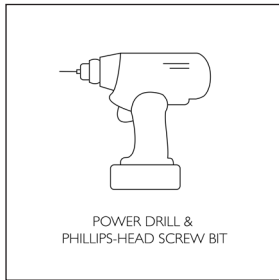
STEP 8



# Over-The-Toilet Cabinet Installation Instructions



## Tools & Materials



### Step 1

Hold the cabinet up above the toilet until it's positioned where it fits best. Use the tape measure to center the cabinet above the toilet tank. Mark the cabinet's position with a pencil on the top and bottom of the unit. Leave plenty of room to remove the toilet tank lid.

### Step 2

Use the stud finder to locate the studs and mark the stud location on the wall.

### Step 3

Measure where the wall studs' location is in relation to the cabinet marks on the wall with the tape measure. Write this information down. Flip the cabinet over and mark these measurements on the back.

### Step 4

Using the measurements, make corresponding holes in the back of the cabinet with a drill and a  $\frac{1}{4}$  inch drill bit. Do this on a sturdy workbench or covered surface.

### Step 5

Use the cabinet as a guide by having someone hold it on the wall where you made your first marks. Use your pencil to mark through the holes you've drilled into the cabinet. Set the cabinet aside again and drill holes over the marks you just made. Drill the holes about 1 to  $1\frac{1}{2}$  inches deep.

### Step 6

Have someone place the cabinet on the wall, and mount it to the studs with the 3-inch mounting screws using the drill with a Phillips-head bit attached.