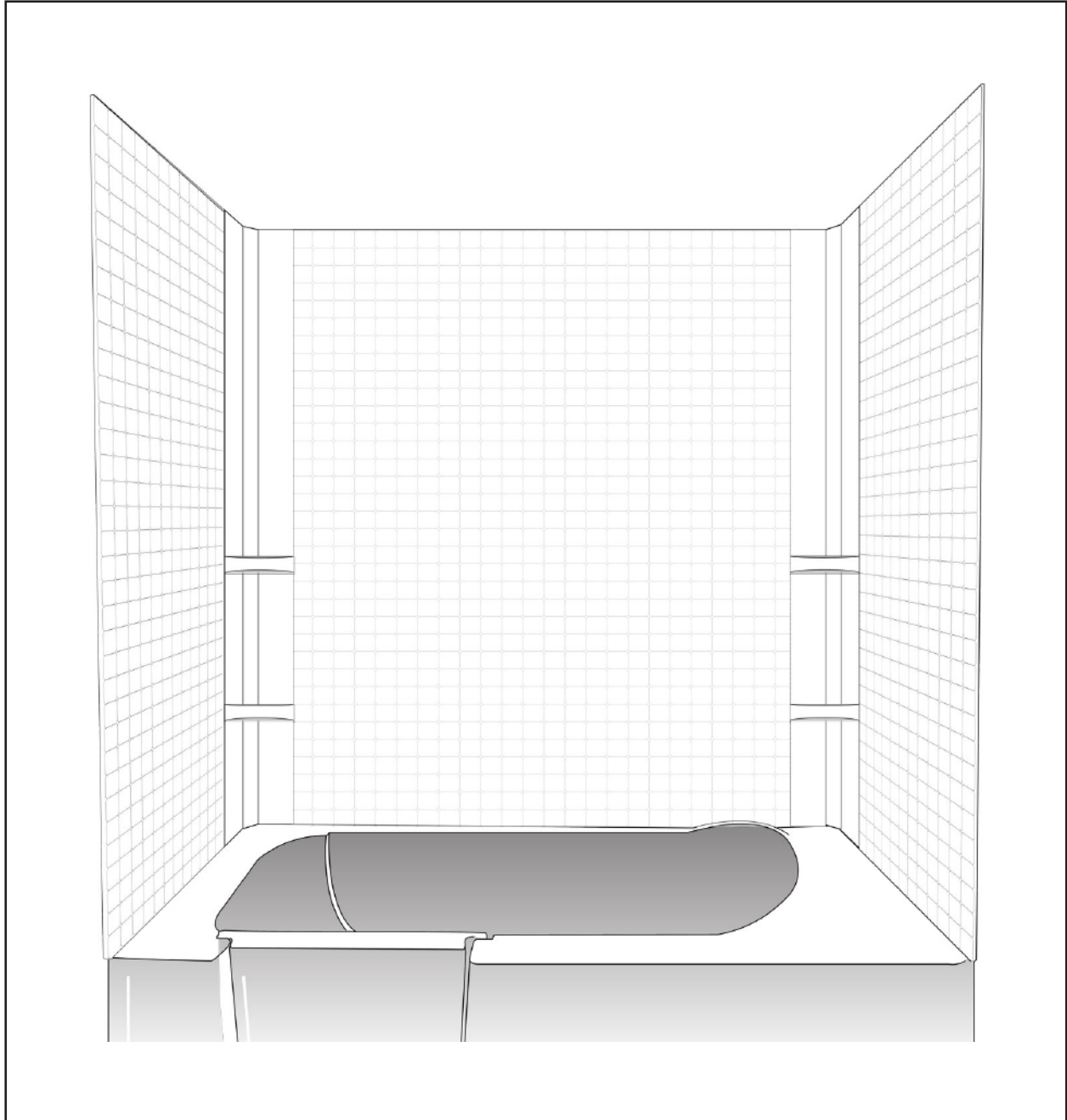


RAMPART WALL - Total Wall Surround Installation

INSTALLATION



INSTALL MANUAL & MAINTENANCE GUIDE

RAMPART WALL - Total Wall Surround Installation

INSTALLATION

MAGIC WALL 60 in. x 60 in. 4-Piece Easy Adhesive Tub Surround in White

Universal Tubs now offers a near instantaneous way to transform you're existing bathtub or shower space into a remodeled marvel. Whether its existing tile or dry wall the RAMPART WALL SURROUND system will adhere to any standard bathroom wall surface. Crafted using the highest quality marine grade acrylics each piece is thermal heated and precisely vacuum molded into shape. The dual blanket sheets can be easily trimmed and cut to size as per your exact needs. This is ideal for retro fit job and any remodeling projects. While the RAMPART WALL SURROUND system can be used with any bathtub on the market it is specially crafted to match the contours, color and textures found only in Universal Tubs walk-in bathtubs. If you are looking to update your existing bath space look no further than the RAMPART WALL SURROUND system for quick and easy bath wall installations.

- Included: Two (2) 60x60 in. RAMPART WALL SURROUND Sheets, two (2) 60 in. call corner caddies, ten (10) clear silicone tubes, four (4) rolls of adhesive tape, two (2) caulking tubes
- White finish
- Marine grade acrylics
- Ultimate retro-fit design
- Expertly molded 4 in. square tile pattern
- 4 corner mounted shelves for bathing products
- Will accommodate any bathtub and bathtub wall space up to 60 in. wide
- Will accommodate any bathtub and bathtub side wall space up to 30 in. in depth
- Will cover a height of up to 60 in.
- All panels must be cut to size base on job site needs
- Engineered for compatibility with any Universal Tubs Walk-in Bathtubs
- Will fit most standard bathtubs and walk-in bathtubs
- Lifetime guarantee

RAMPART WALL - Total Wall Surround Installation

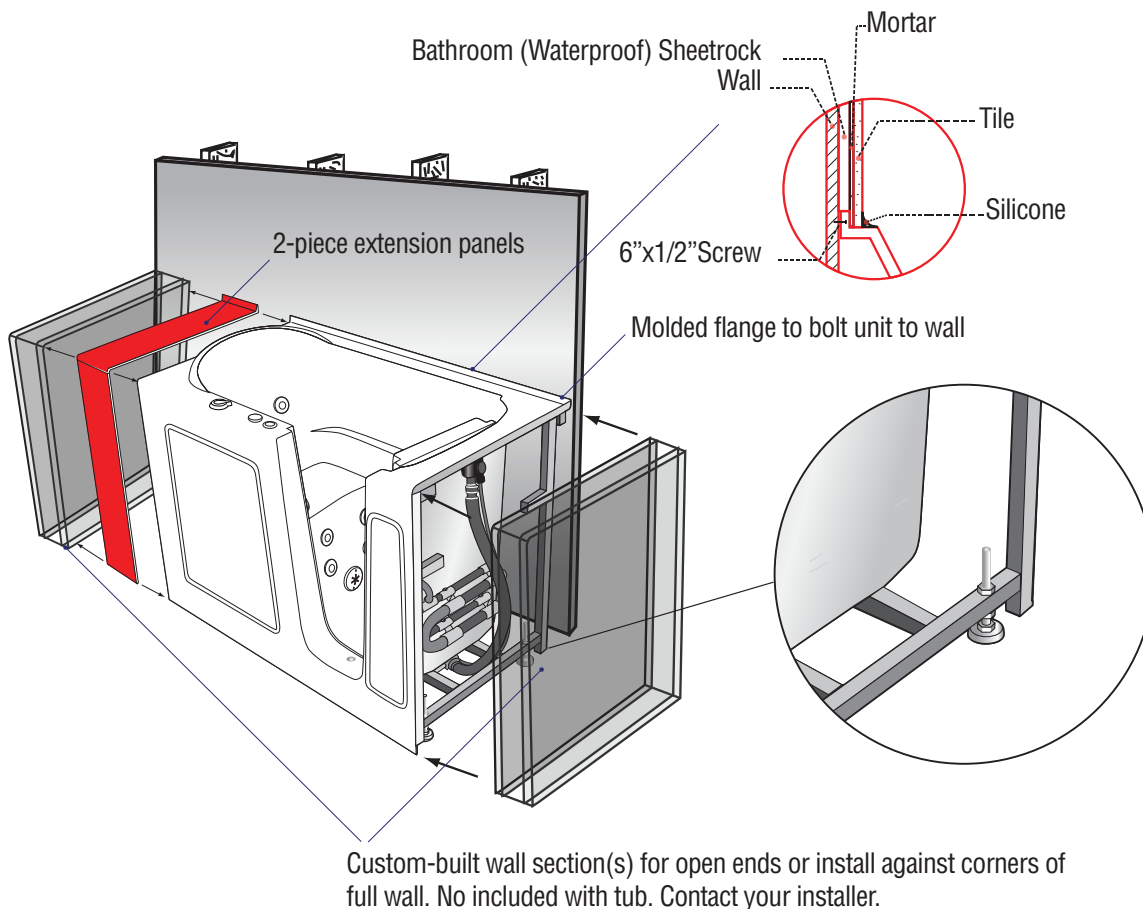
INSTALLATION

BEFORE BEGINNING WORK ON THE RAMPART WALL SURROUND INSTALLATION FINISH ALL WORK ON THE WALK-IN BATHTUB INSTALLATION.

Before work can begin on the RAMPART WALL SURROUND system please wrap up installation of the walk-in bathtub unit. The sizing, position and installation of the wall surround system is determined by the walk-in bathtub. Please make sure to complete installation of all walk-in related plumbing, wiring and components before starting work on the wall surround system.

Additionally make sure the walk-in bathtub is leveled. Not only does leveling prevent leaks from the walk-in bathtub but is essential for a perfect fitting RAMPART WALL SURROUND system.

Make sure all work is done with the walk-in bathtub before starting.

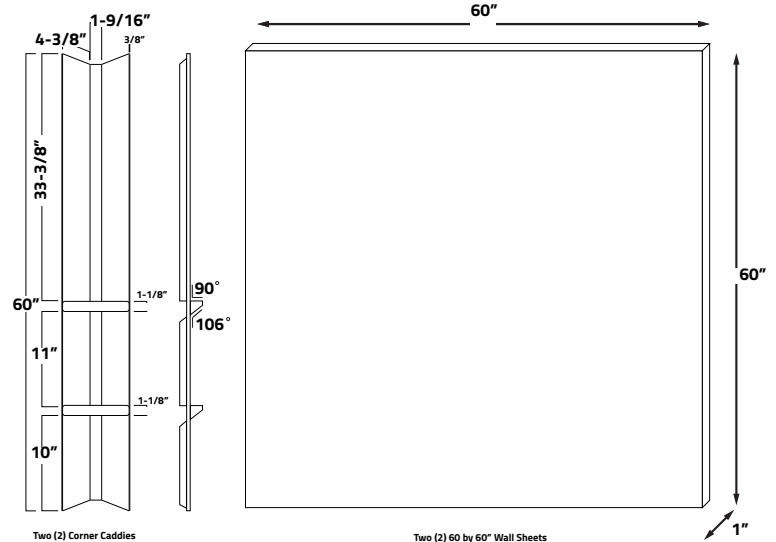


RAMPART WALL - Total Wall Surround Installation

INSTALLATION

Contents of the RAMPART WALL SURROUND SYSTEM

- TWO (2) 60" by 60" RAMPART WALL SURROUND SHEETS with a bullnose bend along all four sides.
- TWO (2) 8" by 60" each MAGIC WALL CORNER CADDIES to cover where the Wall Surround Sheets meet. Each caddy features TWO (2) shelved decks for shampoo, soap and other bath product storage.
- FOUR (4) FLAT ADHESIVE ROLLS
- TEN (10) COLOR MATCHING SILICONE TUBES
- TWO (2) WHITE CAULK SEALANT TUBES



What you'll need...

Aside from the included materials additional items will be necessary to ensure proper installation of the RAMPART WALL SURROUND system.

The following tools are recommended to have on hand before beginning installation:

- Work Table
- Level
- Tape Measure
- Straight Edge
- Tin Snips and/or Utility Knife
- Sharpie or Wax Pencil
- Extension Cords
- Safety Glasses
- Denatured Alcohol

The ideal MAGIC WALL finish will require precise clean cutting of the sheets and the trimming of the bullnose bends found along the sheet's edges. It is recommended to use a powered jigsaw tool with a Carbide Edge Blade.

RAMPART WALL - Total Wall Surround Installation

INSTALLATION

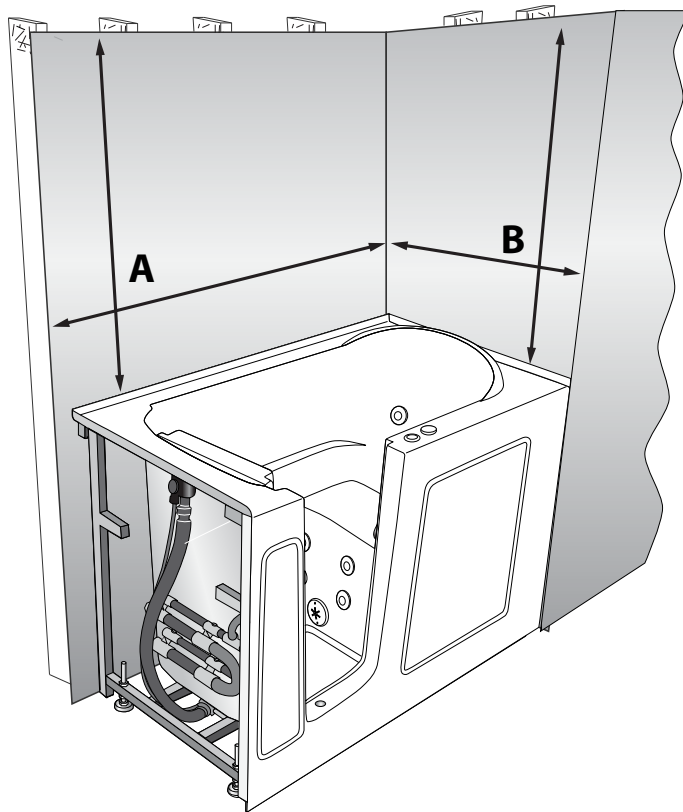
STARTING POINT

Measure the available space. The RAMPART WALL SURROUND Unit comes as two (2) 60" by 60" finished sheets. Take measurements of the back wall and both left and right flanking walls.

As the RAMPART WALL SURROUND Unit is crafted as a one size fits all unit it will up to your installed to measure and cut the RAMPART WALL SURROUND Panels to size.

Note: Before starting it is crucial first clean and dry the existing tiled wall. Clean and dry the surface of your existing wall. Make sure to remove any soap, oil, or greasy residue before proceeding with the RAMPART WALL SURROUND Installation.

It is also critical that the bathtub itself is properly leveled. An unlevelled bathtub will cause measurements and cuts made on the RAMPART WALL SURROUND Panels to not fit properly due to miss alignment.



A Measure the area of the back wall and cut one of the Wall Surround sheets to size. (Max size available 60 by 60 in.)

B Do the same for the flanking wall. Measure both the left and right walls before making the cut as both wall covers will be provided from the second 60 by 60 in. Wall Surround sheet.

Note: Make sure to account the tile flange if one is present on your bathtub.

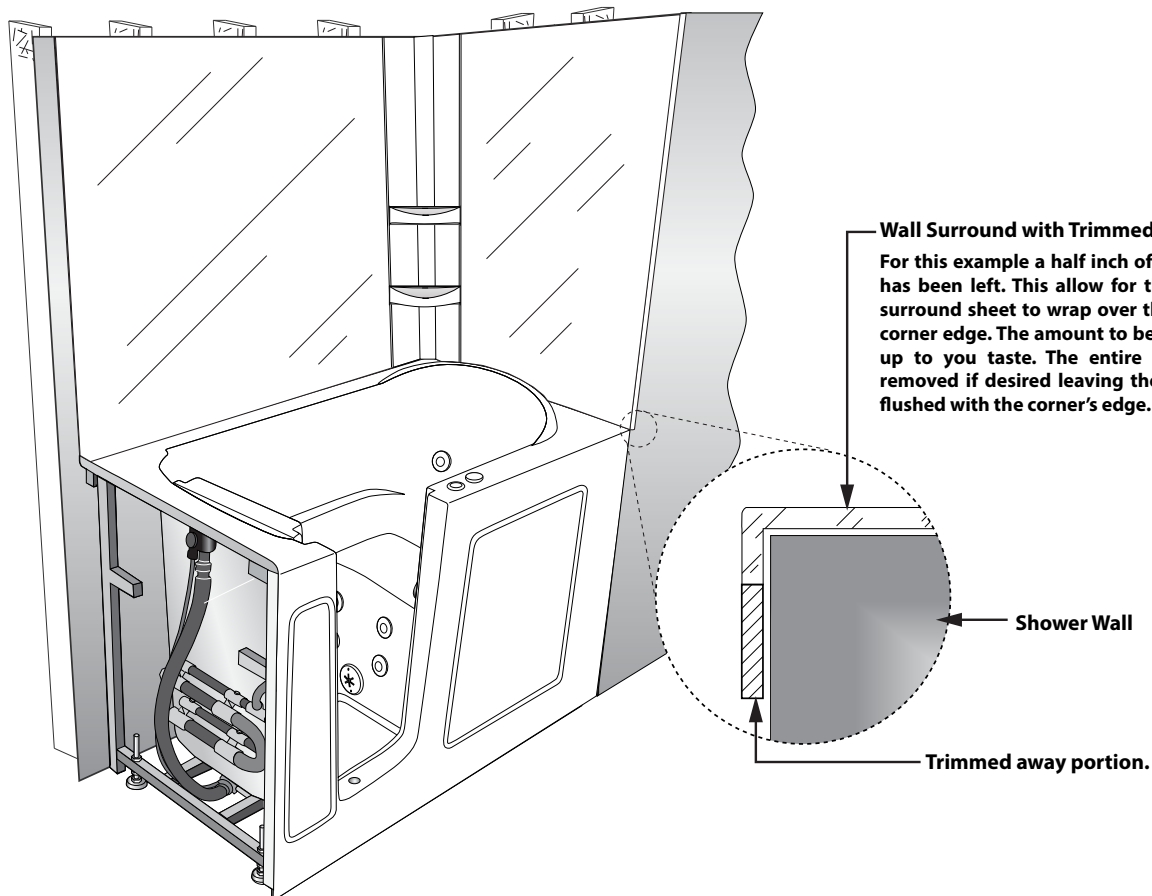
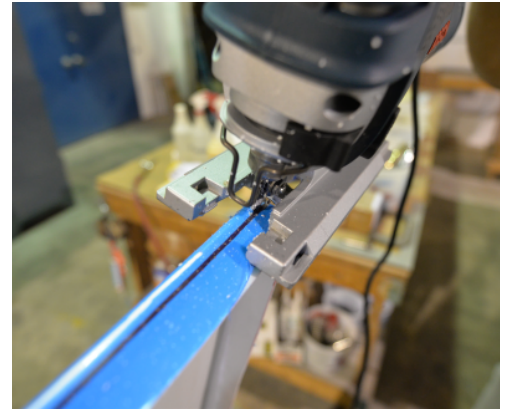
RAMPART WALL - Total Wall Surround Installation

INSTALLATION

TRIMMING THE BULLNOSE BEND

The RAMPART WALL SURROUND Panels will ship with an approximate 1" lip (also known as a bullnose bend) all around the edge. It will be up to the installer's discretion to come up with the perfect length needed for the project.

Mark the sheet with a cut line and proceed cut along said line. The usual tool for this particular job would be a jigsaw. If using a jigsaw a carbide edged blade would be our recommendation.



RAMPART WALL - Total Wall Surround Installation

INSTALLATION

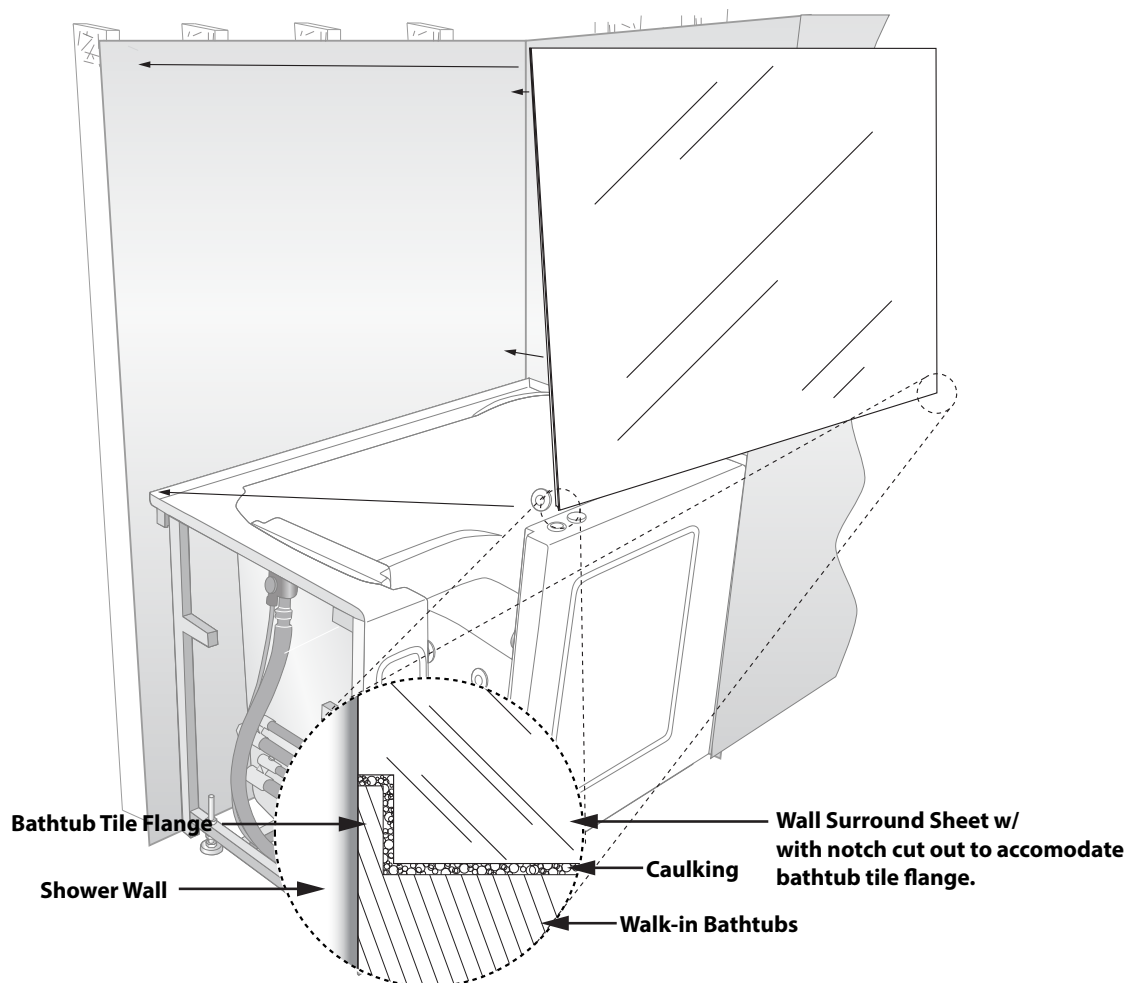
THE BACK WALL SHEET

Fitting & Tile Flange Accommodating

Fit the back wall RAMPART WALL SURROUND Sheet against the back wall to ensure full coverage is provided and that all edges line up.

In the case that the bathtub's tile flange is exposed it will then be necessary to carve a notch along the bottom of the RAMPART WALL SURROUND unit to accommodate for the tile flange's thickness.

The necessary amount to carve is wholly determined by the tile flange's thickness and the amount of relief desired by the installer.



RAMPART WALL - Total Wall Surround Installation

INSTALLATION

THE SIDE, FLANCKING SHEET

TRIM THE LIP AGAIN.

Just as with the back wall RAMPART WALL SURROUND Panel trim the 1" bend down to the desired length.

Note: Many customers will choose to leave a longer lip along the outer edges. This extra lip will wrap around the wall's corner edge and act as a finishing mold covering up the pre-existing tile.

How far the lip wraps around the outer edge is up to the installer's discretion.



Measure the length of the flanking walls and cut the second RAMPART WALL SURROUND Panel in two (2) ensuring both pieces meet the measurements of their respective flanking walls.



RAMPART WALL - Total Wall Surround Installation

INSTALLATION

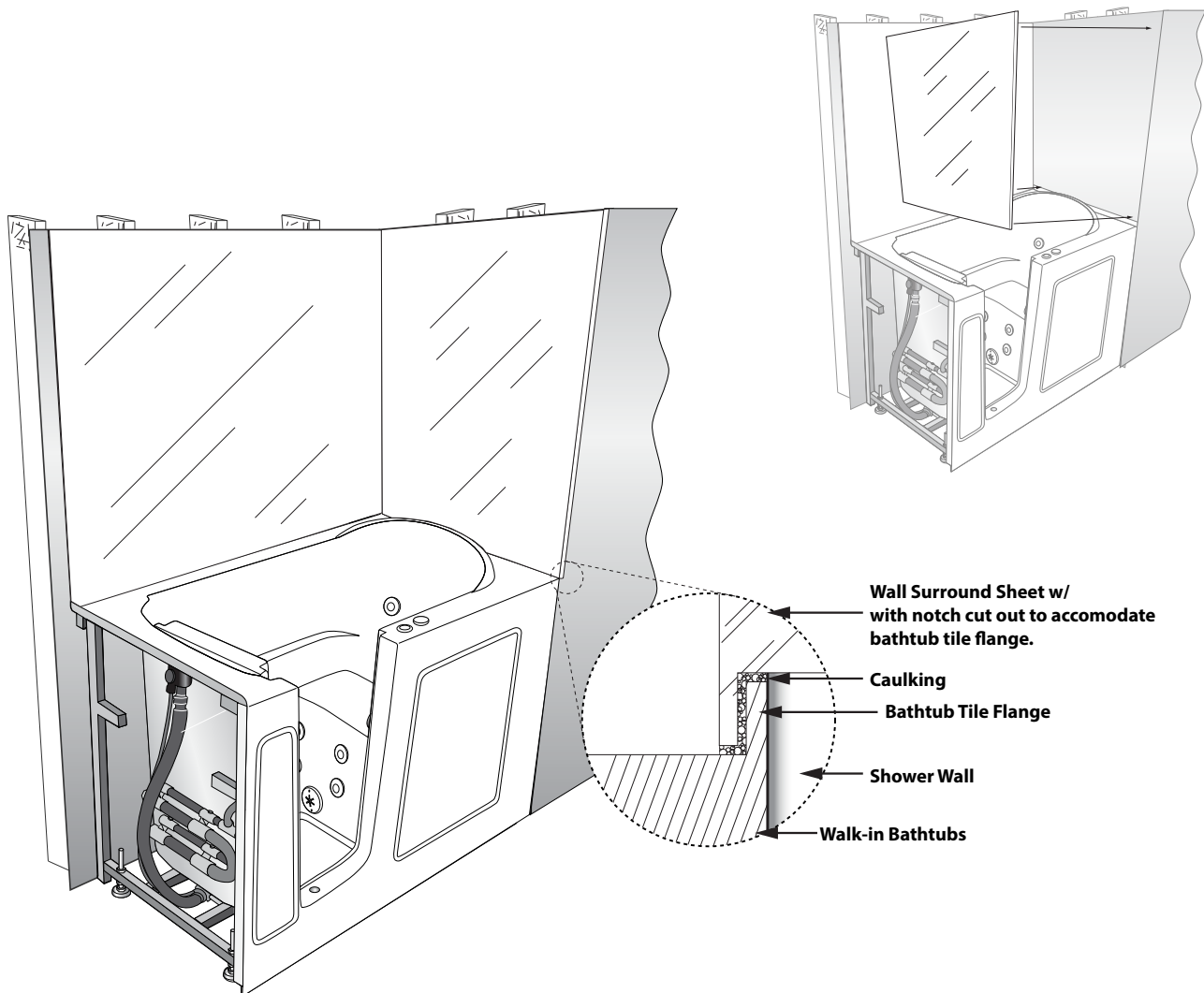
SIDE / FLANKING WALL SHEETS

Fitting & Tile Flange Accommodating

Fit the newly created side wall panel against the flanking wall to ensure full coverage is provided and all edges line up as desired.

In the case that the bathtub's tile flange is exposed it will be necessary to carve a nook along the bottom of the side piece to accommodate for the tile flange's thickness.

The necessary amount to carve is wholly determined by the tile flange's thickness and amount of relieve desired by the installer.



RAMPART WALL - Total Wall Surround Installation

INSTALLATION

SIDE / FLANKING WALL SHEETS

Repeat Steps 4 through 5 for the other side panel piece.

Note: At this point, there should be 3 pieces if this was done for a standard alcove style installation.

1x Back Wall Panel

2x Side Wall Panels (1x for the right hand wall, 1x for the left hand wall)

The following steps should be first applied to the back wall piece then proceed to the other two side walls.

RAMPART WALL - Total Wall Surround Installation

INSTALLATION

APPLYING THE ADHESIVE TAPE AND SILICONE

Lay down the piece on a flat surface.

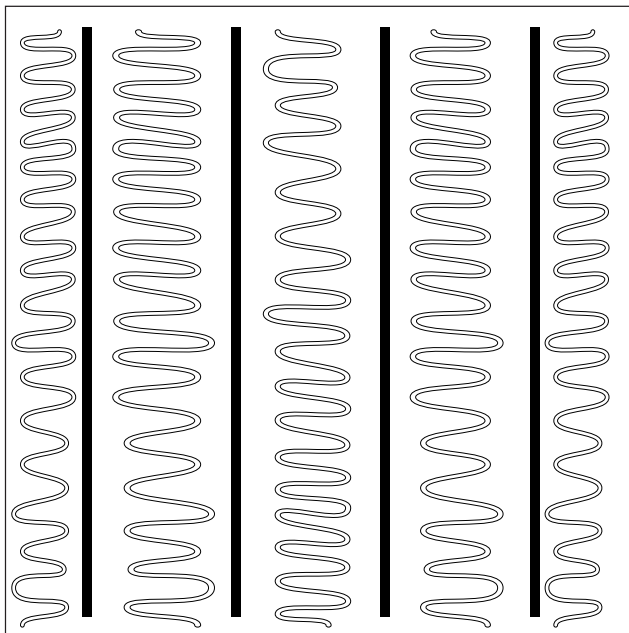
Note: Make sure to place a large cloth or piece of cardboard between the panel piece and the surface to prevent scrapes and scratches.

Place the panel piece on the surface (facing downward) and begin laying down the adhesive tape. Lay down 3-4 evenly spaced strips along the full height of the panel. Peel off the protective lining from the adhesive tape.

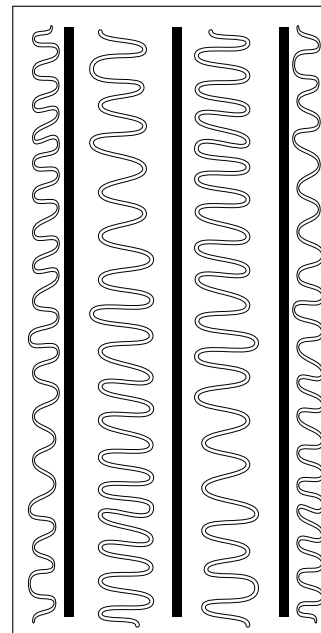
Next apply a liberal spread of silicon all along the areas surround the adhesive tape (including the spaces between the tape and panel's edge).

It is recommend to cut a $\frac{1}{4}$ " hole at the tip of the caulking gun's cap.

Rear view of Back Wall Panel
Example 60 by 60 in.



Rear view of one Flanking Panel
Example 30 by 60 in. cut



RAMPART WALL - Total Wall Surround Installation

INSTALLATION

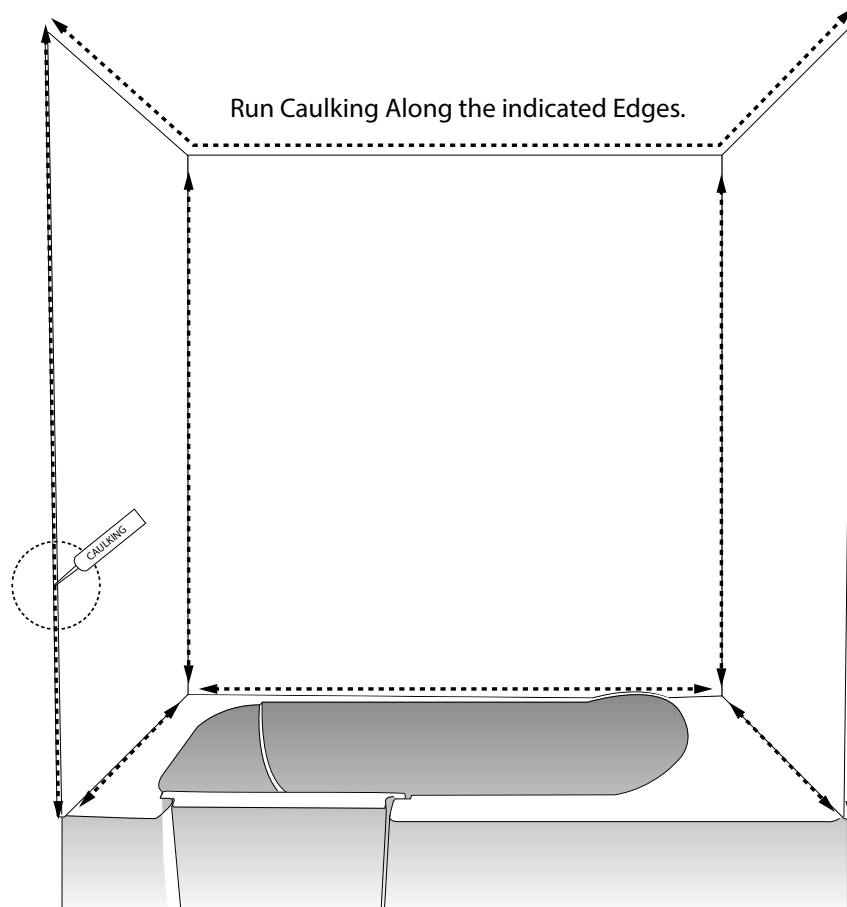
PLACE AGAINST WALL AND APPLY CAULKING

Once the silicon has been applied it is time to apply the back wall RAMPART WALL SURROUND panel to the wall.

Before you do please ensure once again that the wall's surface is clean, dry and free of any soap, oil or greasy residue.

When the panel is applied to the wall make sure the edges line up. Also push on the panel to ensure the adhesive tape fully adheres to the wall surface.

The adhesive tape will securely hold the panel in place while the silicon cures and hardens. This process is estimated to take on a few minutes but it is highly recommended to allow at least 24 hours to pass before running any water in the bathtub/shower.



RAMPART WALL - Total Wall Surround Installation

INSTALLATION

CORNER CADDIES

Before starting work with the corner units please make sure the silicon, adhesive and caulking used on the back wall and both flanking walls have been allowed enough time to properly cure.

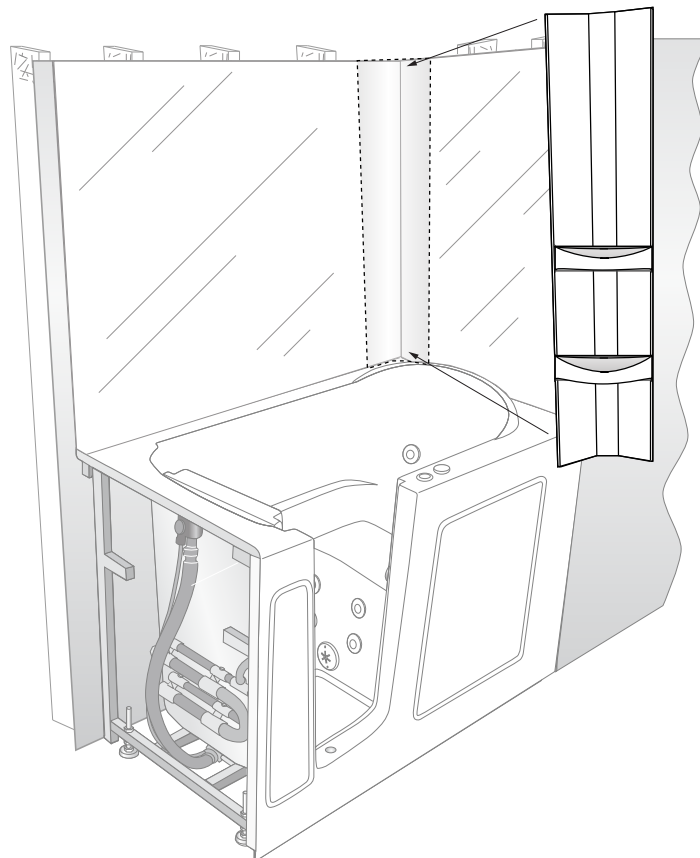
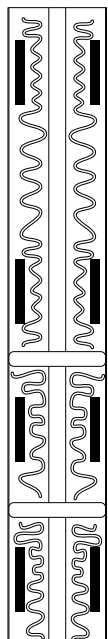
Additionally please make sure the tub deck area and corners where each wall panel meets is clear of any debris and dirt. If cleaning is necessary make sure the area is thoroughly dried off before continuing.

Once ready begin to place adhesive strips along the back to back side of the corner unit. If necessary fold the adhesive strips.

Once the adhesive strips have been placed begin to apply the silicone, generously, along the corner unit's sides. Applying silicon along the middle or spine of the corner unit is not necessary.

Prepare to place the corn unit and firmly push onto the unit to ensure even connection between the back of the corner unit and the face of the back wall and flanking wall. Firmly press onto the corner unit's edges as you apply a bead of caulking along the edge to finish the seal.

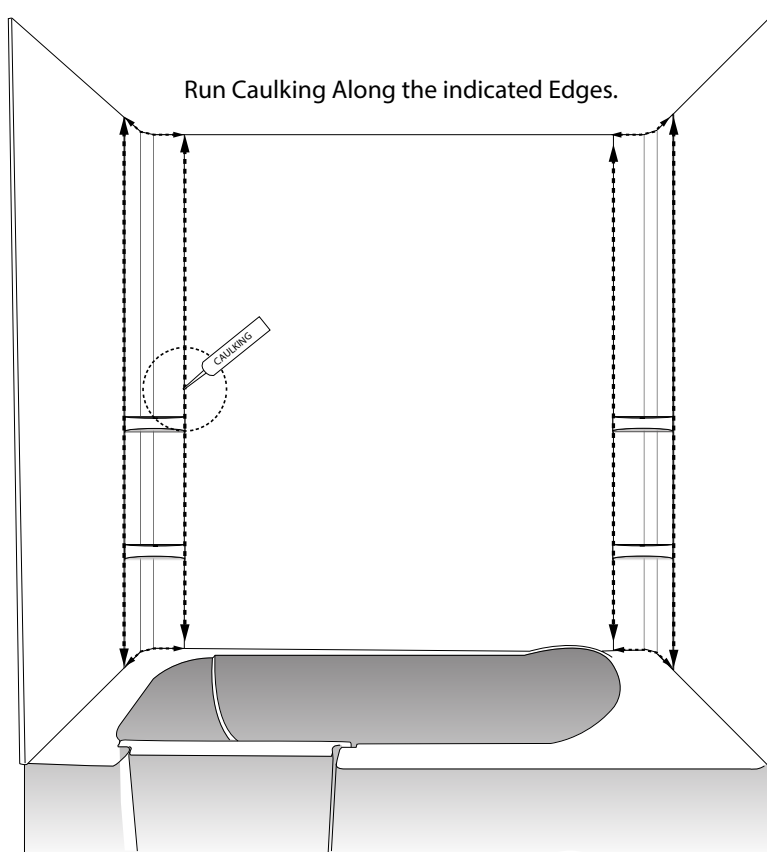
**Rear view of
Corner Panel**



RAMPART WALL - Total Wall Surround Installation

INSTALLATION

APPLY CAULKING TO CORNER CADDIES



Finally, apply a bead of caulk along the edges of the corner caddies. Please allow 24 hours to pass to ensure the adhesive tape and silicone fully cures before utilizing the bathtub or shower.

RAMPART WALL - Total Wall Surround Installation

INSTALLATION

CARE & MAINTENANCE

Maintenance is not labor intensive, though it is extremely important and must be carried out ideally once a week using a soft cloth and liquid soap. Avoid using any chemicals and abrasive materials. If heavier chemicals are required do not let it sit too long on the surface and thoroughly rinse away.

WARRANTY

SPA WORLD Limited Lifetime Warranty for RAMPART WALL SURROUND warrants to the original consumer purchaser that it will, at its option, repair or replace this these walls or any of its parts that are found by Spa World, in its sole judgment, to be defective under normal residential use and maintenance so long as it is owned by the original consumer purchaser. To activate this limited warranty, the purchaser must go online to our website at www.spaworld.com/warranty/ to register their RAMPART WALL SURROUND within thirty (30) days of purchase. In no event will Spa World be liable for the cost of repair or replacement of any installation materials including but not limited to tiles, marble etc

This limited warranty DOES NOT COVER the following:

1. Defects or damages arising from shipping, installation, alterations, accidents, abuse, misuse, lack of proper maintenance and cleaning as directed in the owner's manual and use of other than genuine Spa World replacement parts, in all cases whether caused by a plumbing contractor, service company, the owner or any other person.
2. Deterioration through normal wear and tear and the expense of normal maintenance.
3. Commercial application.
4. Options and accessories. Spa World's limited warranty on these items is one year for parts only and excludes labor. This one year limited warranty covers accessories manufactured by Spa World (e.g. aprons, drains, grab bars, trim kits) against defects of material or workmanship. Warranty coverage begins on the date the accessory was originally purchased by the owner.
5. Postage or shipping costs for returning products for repairs or replacement under this limited warranty and labor or other costs incurred in connection with product removal or installation under this limited warranty.
6. ANY LIABILITY FOR CONSEQUENTIAL OR INCIDENTAL DAMAGES, ALL OF WHICH ARE HEREBY EXPRESSLY DISCLAIMED, OR THE EXTENSION BEYOND THE DURATION OF THIS LIMITED WARRANTY OF ANY IMPLIED WARRANTIES, INCLUDING THOSE OF MERCHANTABILITY OR FITNESS FOR AN INTENDED PURPOSE. (Some jurisdictions do not allow limitations on how long an implied warranty lasts, or the exclusion or limitation of incidental or consequential damages, so these limitations and exclusions may not apply to you.)
7. Responsibility for compliance with local code requirements. (Since local code requirements vary greatly distributors, retailers, dealers, installation contractors and users of plumbing products should determine whether there are any code restrictions on the installation or use of a specific product.) This warranty gives you specific legal rights.

RAMPART WALL - Total Wall Surround Installation

INSTALLATION