

# Use and Care Guide

## 6-Tier Shelving Unit

Item # 525441  
Model # E451201800B6THD

# HDX™

### PACKAGE CONTENTS



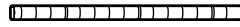
A – Shelf x 6



B – Tapered sleeve x 48 + 2 extra



C – Bottom pole with pre-installed leveler x 4



D – Top pole x 4

### HARDWARE INCLUDED



AA – Washer x 2



BB – Anchor x 2



CC – Screw x 2

## Safety Information

Read and understand this manual before assembly.

Before you begin, inspect each part and compare to the Package Contents list. If any part appears missing or damaged, do not assemble and use this product. Contact Customer Service at 1-800-514-6729.

- Two adults are recommended for ease of assembly. Use care when handling.
- Assemble on a soft surface, such as carpet, to avoid scratching the finish.



**CAUTION:** Do not allow children to play or climb on the product.



**CAUTION:** Place the unit on a level surface to avoid a tipping hazard.

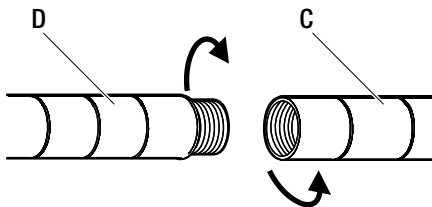


**CAUTION:** Each shelf holds up to 600 lbs, evenly distributed. Do not overload.

## Assembly

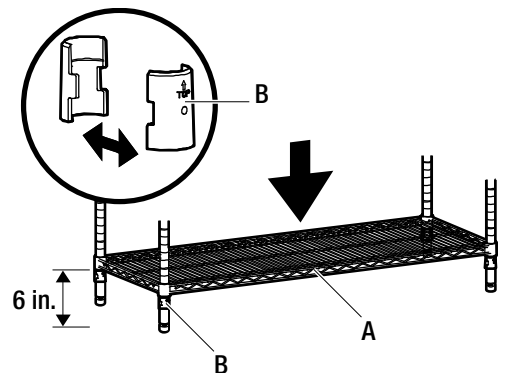
### 1 Assembling the posts

- Before you begin, discard the black circular pieces found when unpacking this product. They are for shipping purposes only.
- Screw the bottom pole (C) to the top pole (D). Repeat for the remaining poles.



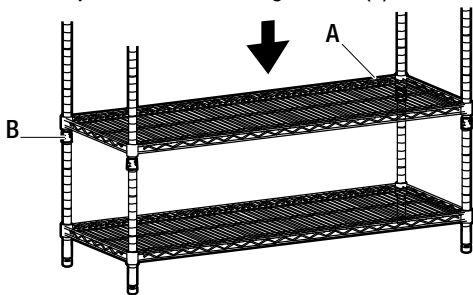
### 2 Installing the bottom shelf

- Determine the desired position of the shelf (A). Ensure that it is no more than 6 in. from the floor.
- Place two tapered sleeves (B) into the appropriate groove on each pole assembly. Ensure the “UP” arrow faces up. Ensure each sleeve is the same height to ensure the shelf is level when installed.
- Place the shelf (A) on its side and slide each pole assembly through the bottom of the shelf (A) until snug. After all pole assemblies are in place, position the unit in the upright position.
- Push down on each corner of the shelf (A), ensuring the corners of the shelf (A) slip fully in the locked position over the sleeves (B).



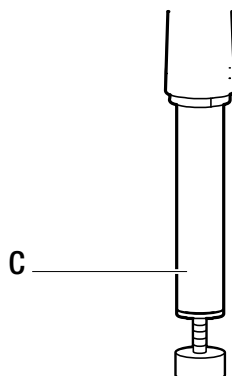
### 3 Adding shelves

- Determine the position of the second shelf. Place the tapered sleeves (B) onto the pole assemblies and ensure that the sleeves are level with each other.
- Slide the shelf (A) down from the top of the pole assemblies and onto the tapered sleeves (B).
- Push each corner of the shelf (A) down until it locks into position over the sleeves (B). Repeat for the remaining shelves (A).



### 4 Adjusting the levelers

- Move the assembly to the desired location.
- If needed, adjust the levelers on the bottom of the poles (C) to ensure the shelving unit is level. Rotate the levelers counterclockwise to raise the poles, and clockwise to lower the poles.

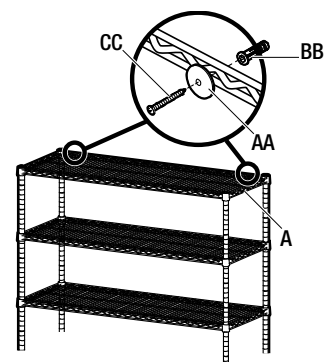


### 5 Mounting to the wall



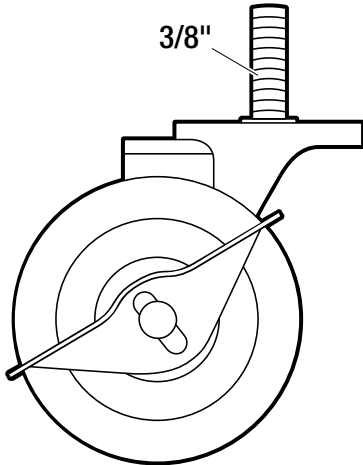
**WARNING:** This step is required to ensure the stability of the shelves.

- Mark the locations of the mounting holes with a pencil using the top shelf (A) as a guide. Drill pilot holes at the marked locations using a 1/4 in. bit, and insert the wall anchors (BB) into the holes.
- Secure the top of the shelf (A) to the wall by inserting screws (CC) with washers (AA) through the shelf (A) and into the wall anchors (BB).



## Optional Caster Assembly

HDX offers optional rolling casters that you can purchase either online or at your local The Home Depot if you wish to convert this shelving unit into a rolling shelving unit. Unscrew and remove the leveling feet on the bottom of the shelving unit and replace with casters. Ensure the casters you purchase are 3 in. or 4 in. in size and have a 3/8 in. thread diameter.



**CAUTION:** Tipping Hazard: Failure to follow these caster guidelines can result in damage or personal injury.

- Push mobile units in a long direction.
- Use caution when moving heavily loaded carts as they are more difficult to control.
- Place heavy objects on the lowest shelf.
- Inspect casters before use and replace those that are worn immediately.



**CAUTION:** Total load capacity for 3 in. casters is 350 lbs and 450 lbs for 4 in. casters, evenly distributed.