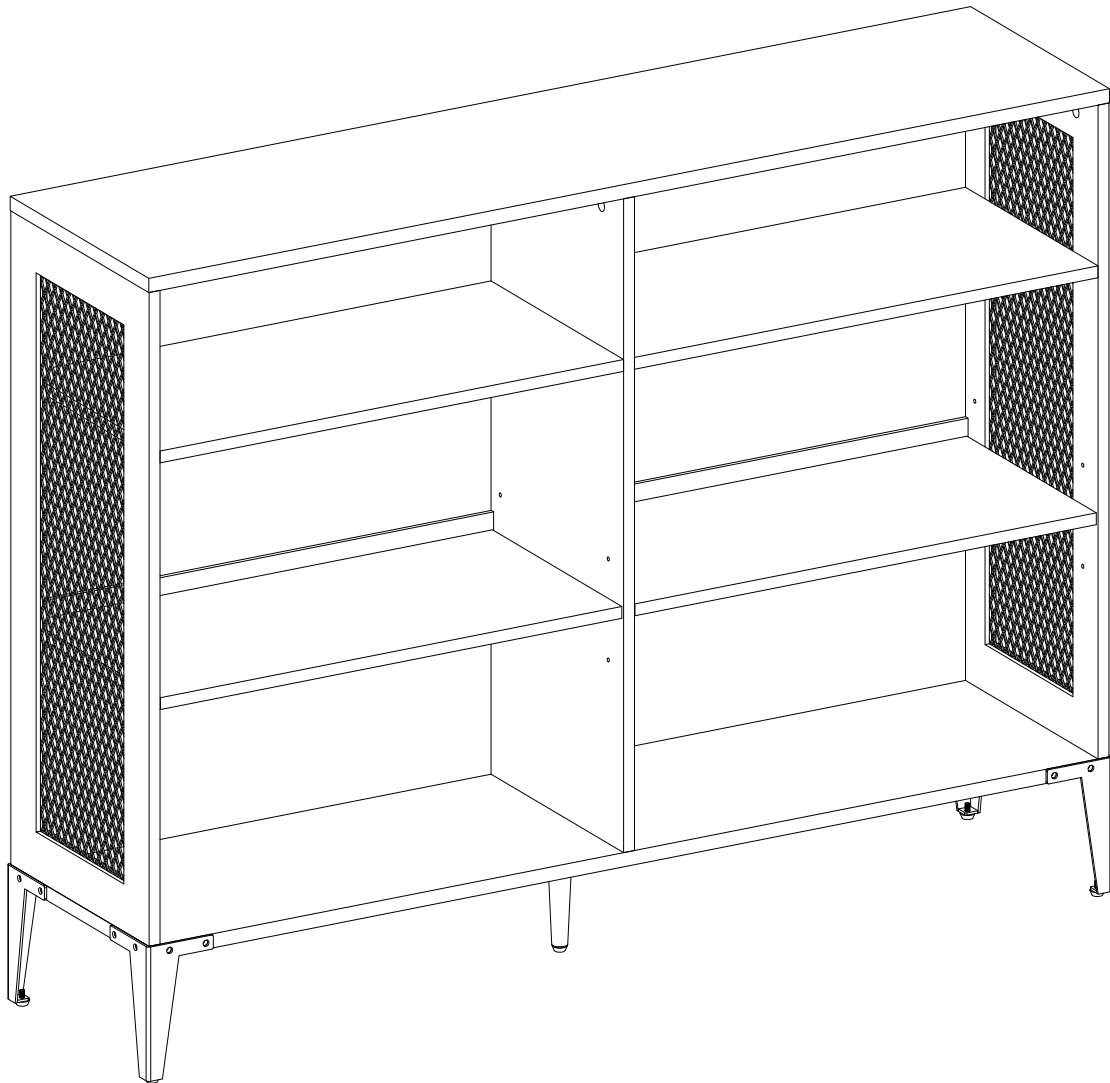


Item # : BS52JASMS

Assembly Instructions



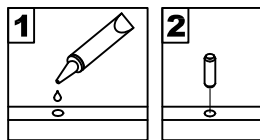
Walker Edison®

Please visit our website for the most current instructions, assembly tips, report damage, or request parts. www.walkeredison.com

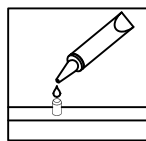
Revised 31/07/2019(C)

General Assembly Guidelines

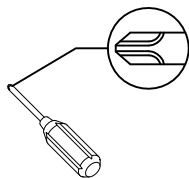
- I. Ensure that all parts and hardware are available before beginning assembly.
- II. Follow each step carefully to ensure the proper assembly of this product.
- III. Two people are recommended for ease in the assembly of this product.
- IV. The three main types of hardware used to assemble this product are: wood dowels, screws and bolts.
- V. The provided glue is to secure wood dowels in place. When first inserting dowels, locate the appropriate hole for the dowel, place a small amount of glue in the hole and insert the dowel. Wipe away excess glue immediately.



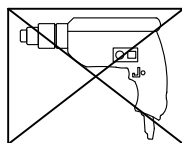
In future assembly steps when dowels are necessary to attach assembly parts together, place a small amount of glue on the end of the dowel before attaching parts together. Wipe away excess glue immediately.



- VI. A Phillips head screwdriver is required for the assembly of this product .

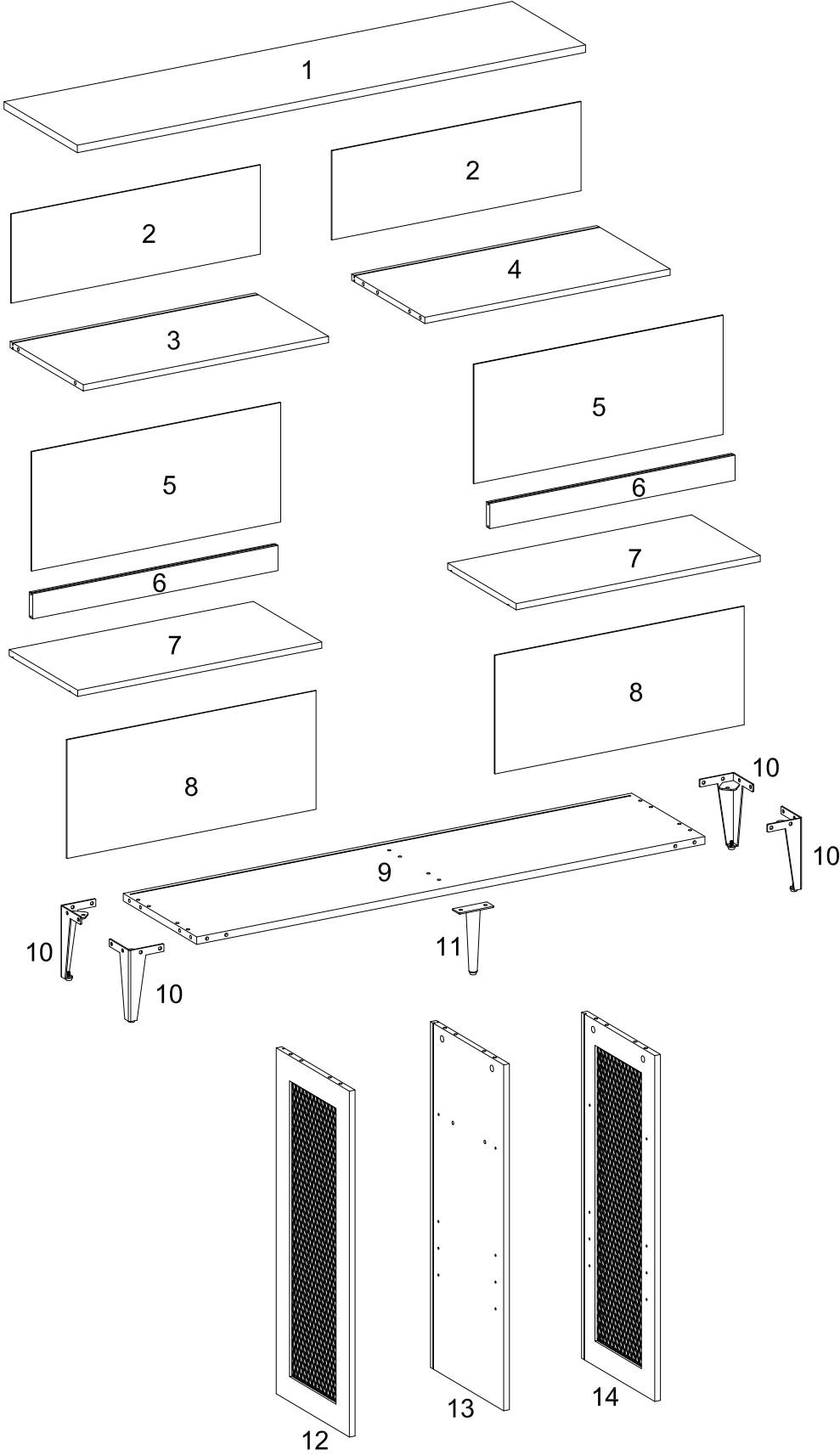


- VII. Power tools should not be used to assemble this product.





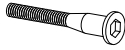



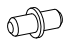

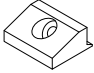




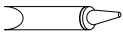


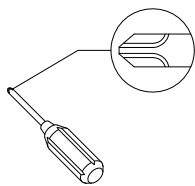
- VIII. Drill may be needed for securing product to wall.

Parts List



Hardware List

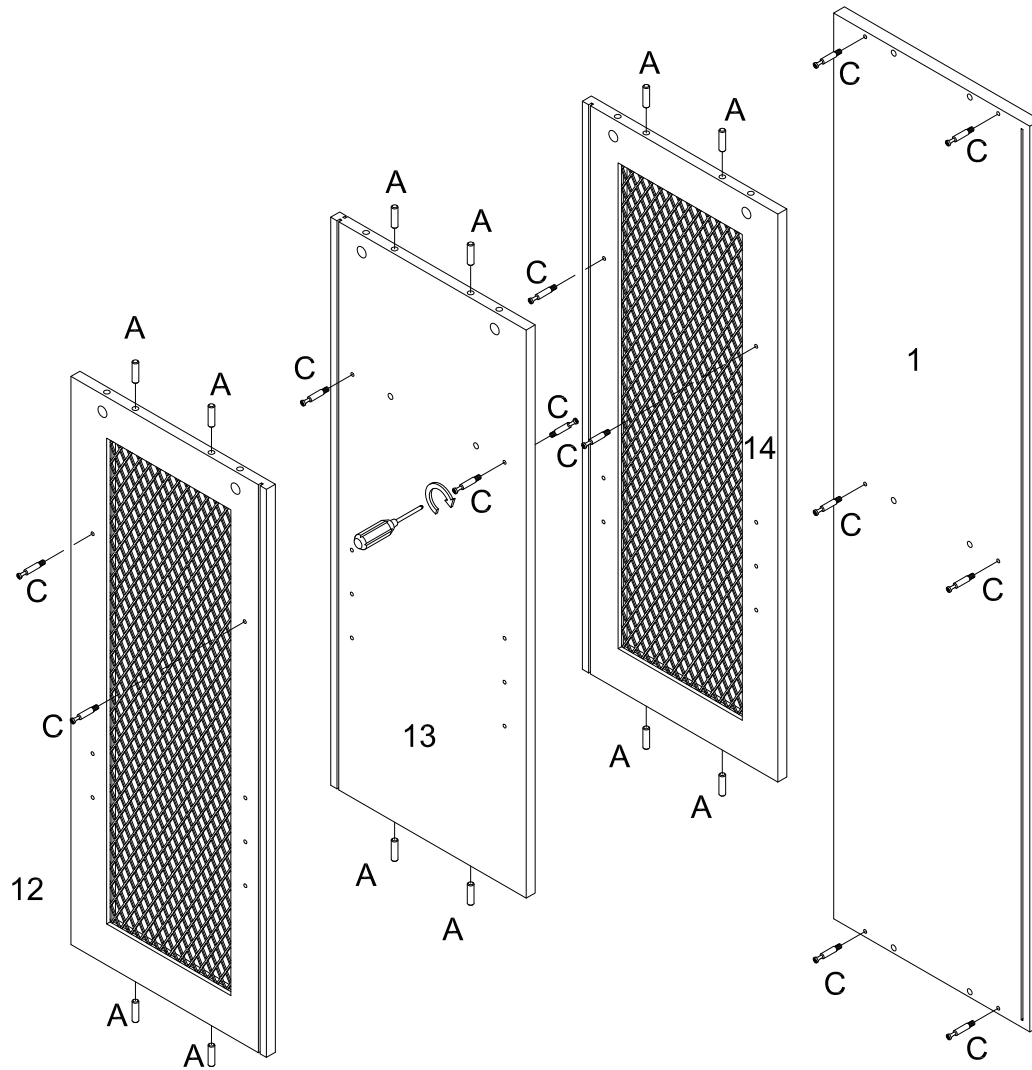
| | | | | |
|---|---|------------|-------------------|--------|
| A |  | Ø8x30mm | Wooden dowel | 16 pcs |
| B |  | Ø15x11mm | Cam lock | 14 pcs |
| C |  | Ø6x35mm | Cam bolt | 14 pcs |
| D |  | Ø30mm | Sticker | 14 pcs |
| E |  | Ø6x50mm | Bolt | 6 pcs |
| F |  | M 4 | Hex Key | 1 pc |
| G |  | Ø1/4"x12mm | Bolt | 2 pcs |
| H |  | Ø1/4"x12mm | Bolt | 20 pcs |
| J |  | | Shelf support pin | 8 pcs |
| K |  | Ø3x17mm | Screw | 20 pcs |
| L |  | | Plastic wedge | 20 pcs |
| M |  | Ø4x12mm | Screw | 2 pcs |
| N |  | Ø4x30mm | Screw | 2 pcs |
| P |  | | Plastic strap | 2 pcs |
| Q |  | | Nut | 2 pcs |
| R |  | | Glue tube | 1 pc |



Philips head screwdriver required for assembly
(not included)

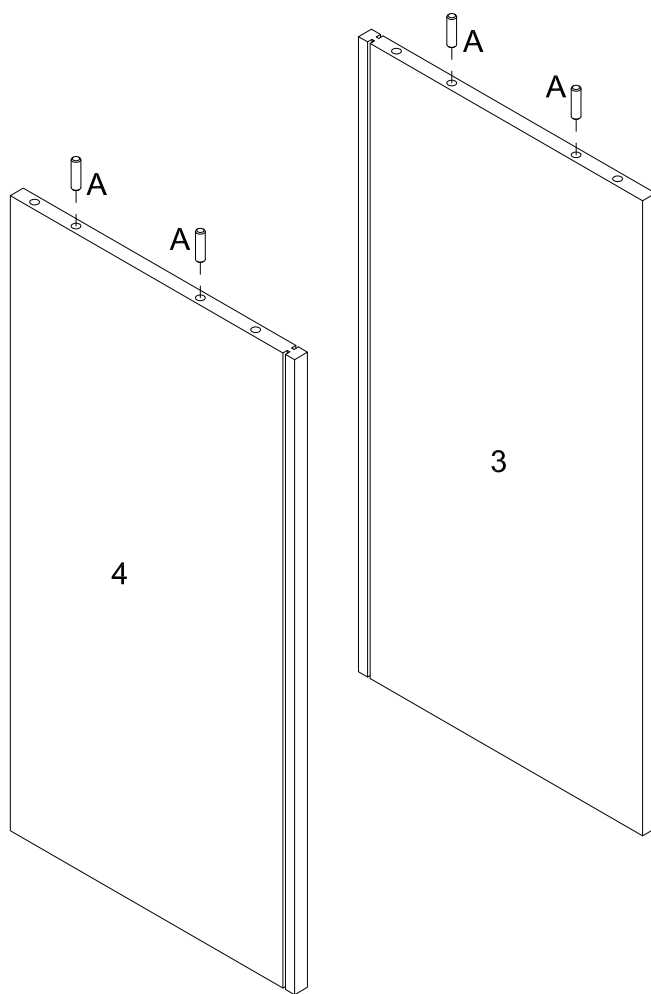
*The hardware quantities listed above are required for proper assembly.
Some extra hardware may also have been included.*

Step 1



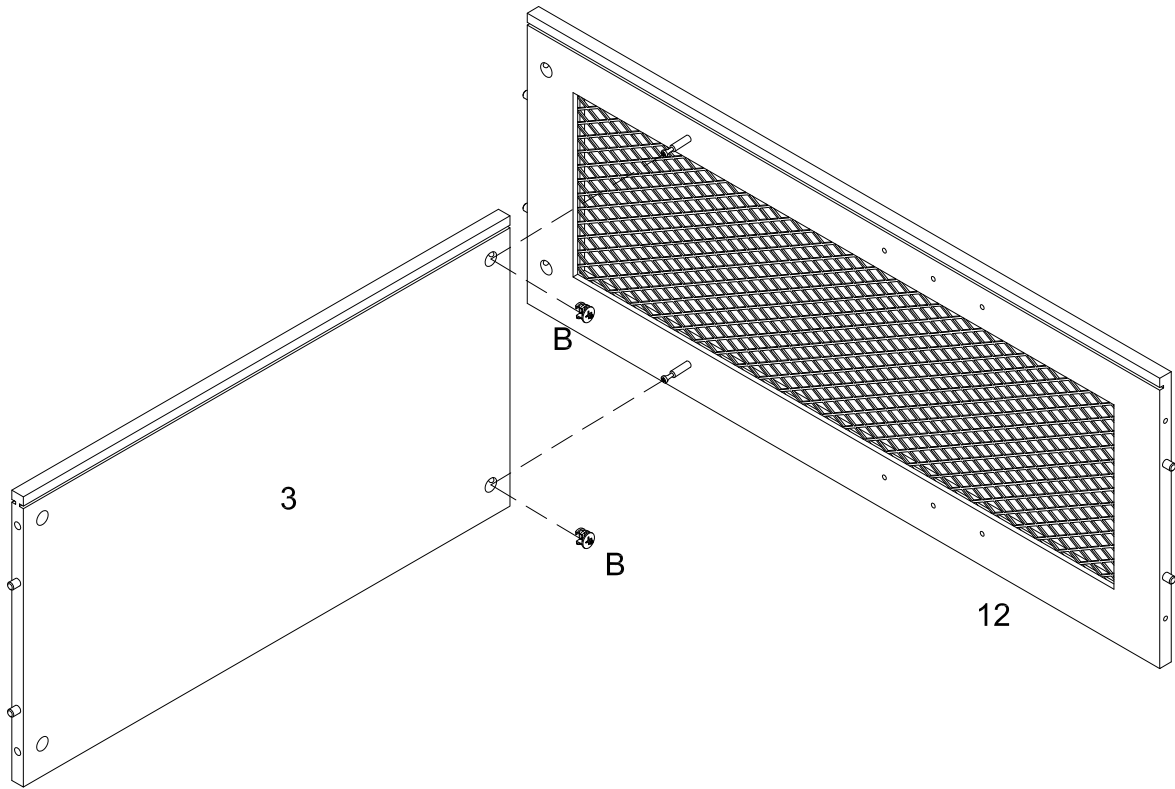
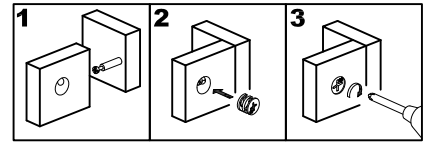
Insert wooden dowel (A) into parts (12,13,14), then using cam bolt (C) secure parts (1,12,13,14) with Philips head screwdriver as per diagram.

Step 2



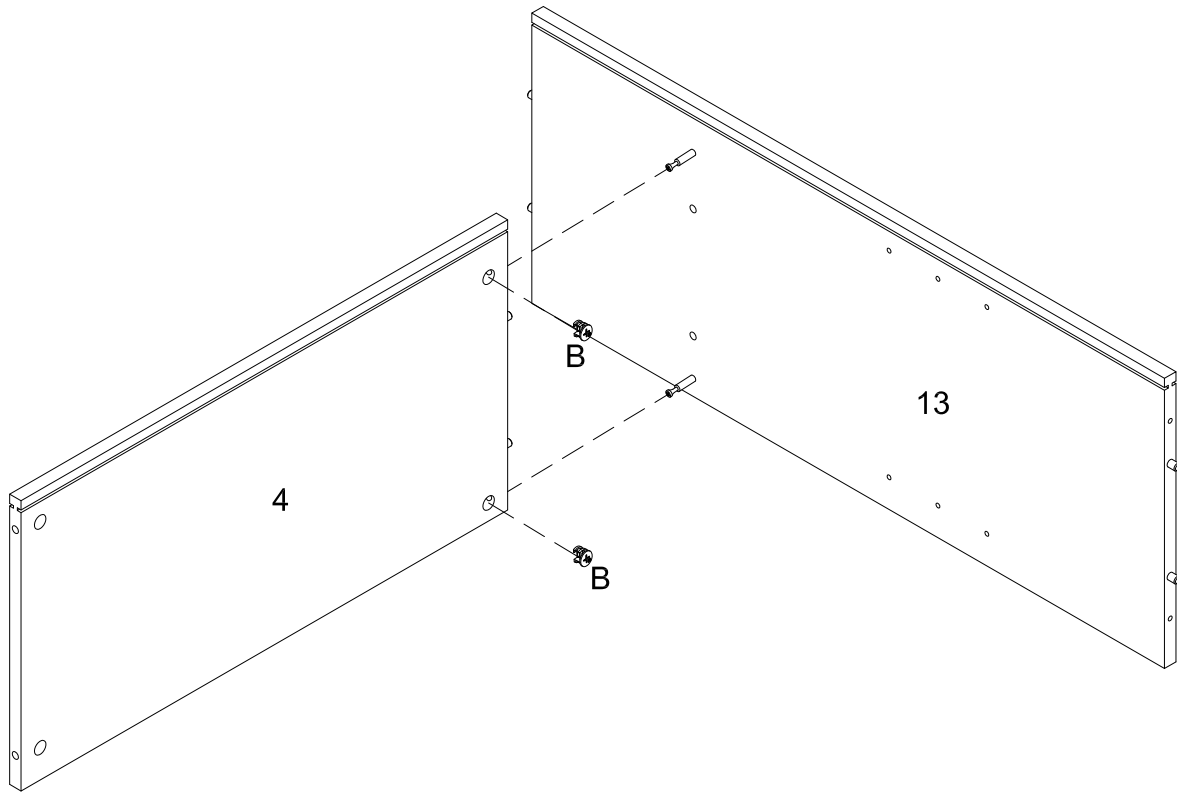
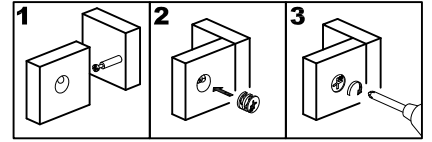
Insert wooden dowel (A) into parts (3,4) as per diagram.

Step 3



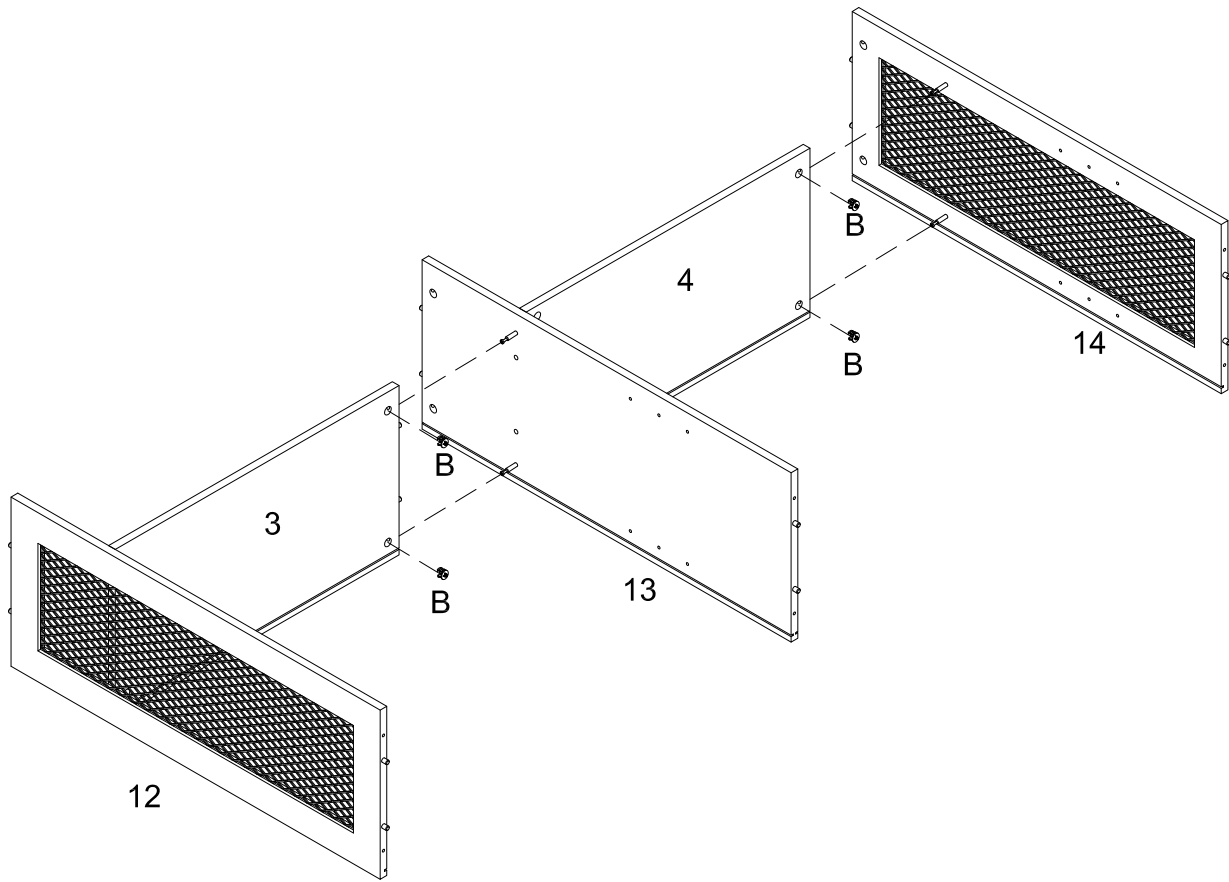
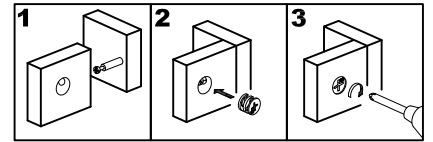
Using cam lock(B) secure part (12) to part (3) with Philips head screwdriver as per diagram.

Step 4



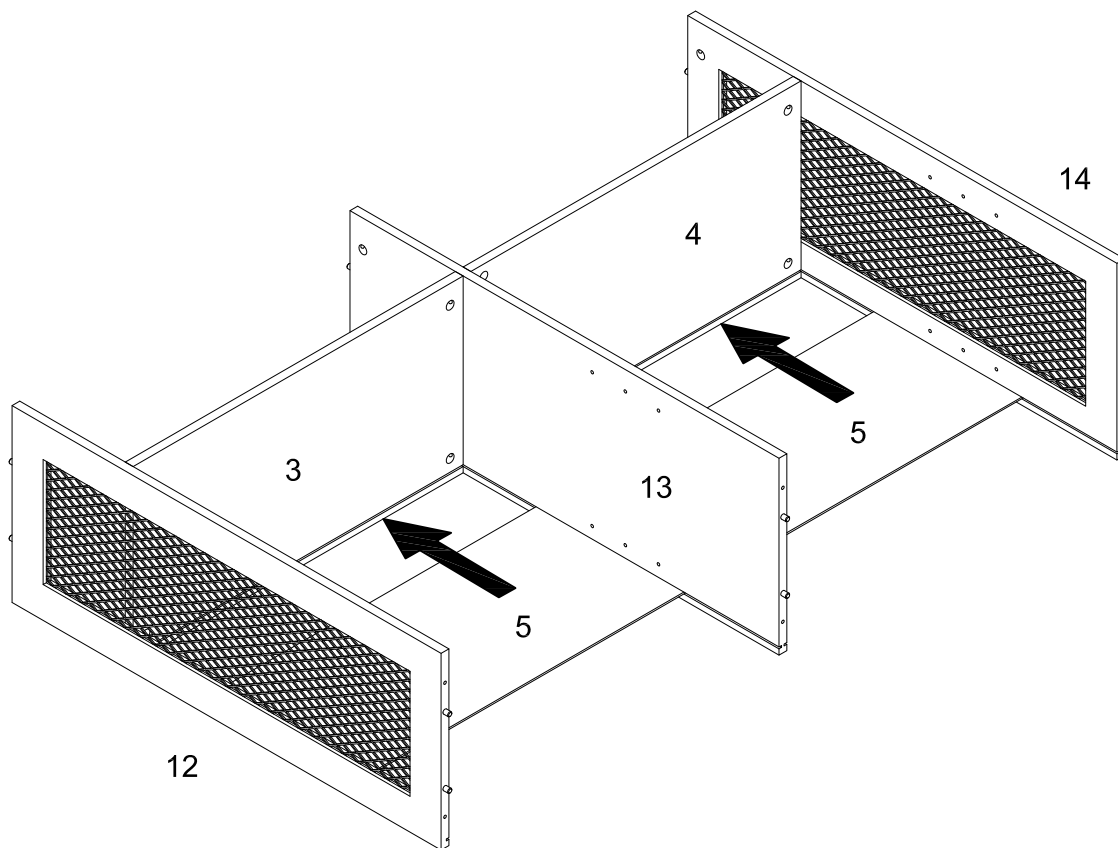
Using cam lock(B) secure part (13) to part (4) with Philips head screwdriver as per diagram.

Step 5



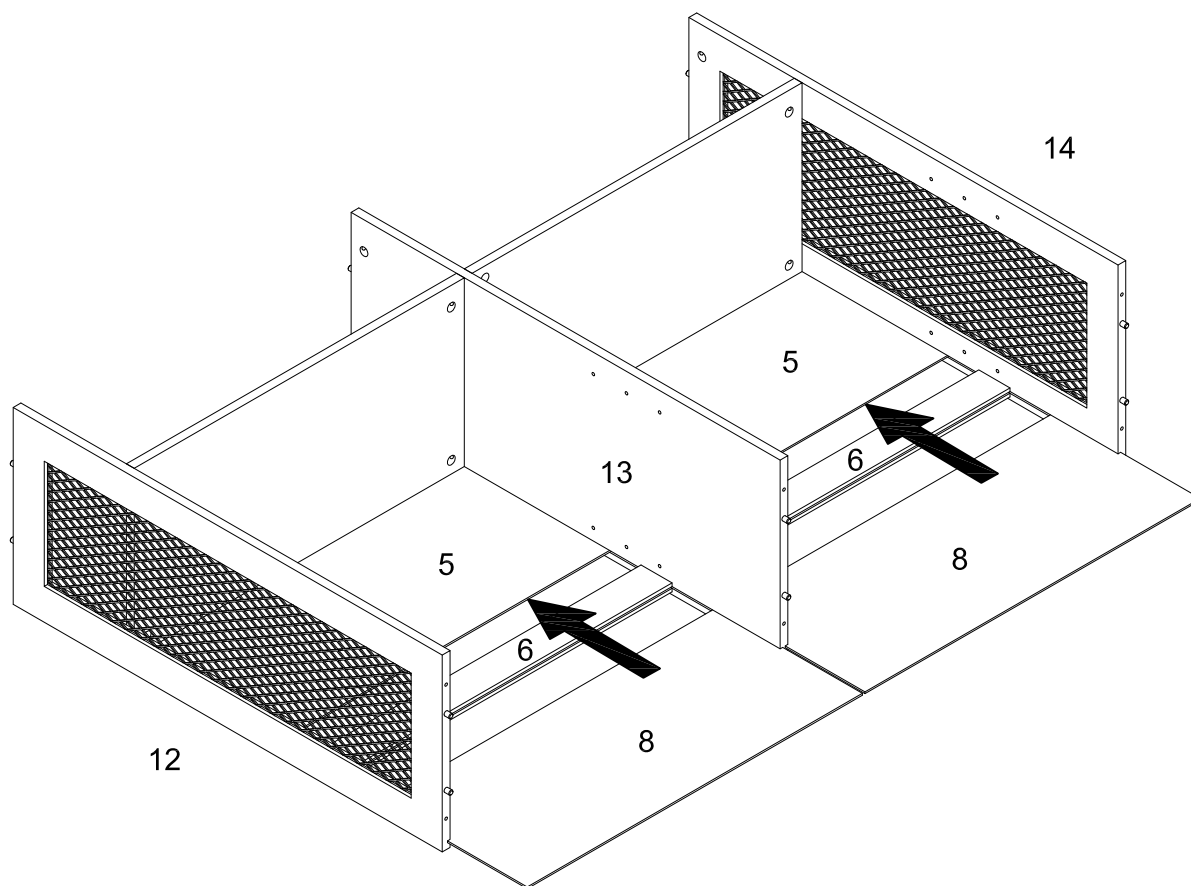
Using cam lock(B) secure part (13) to part (3) ,part (14) to part (4) with Philips head screwdriver as per diagram.

Step 6



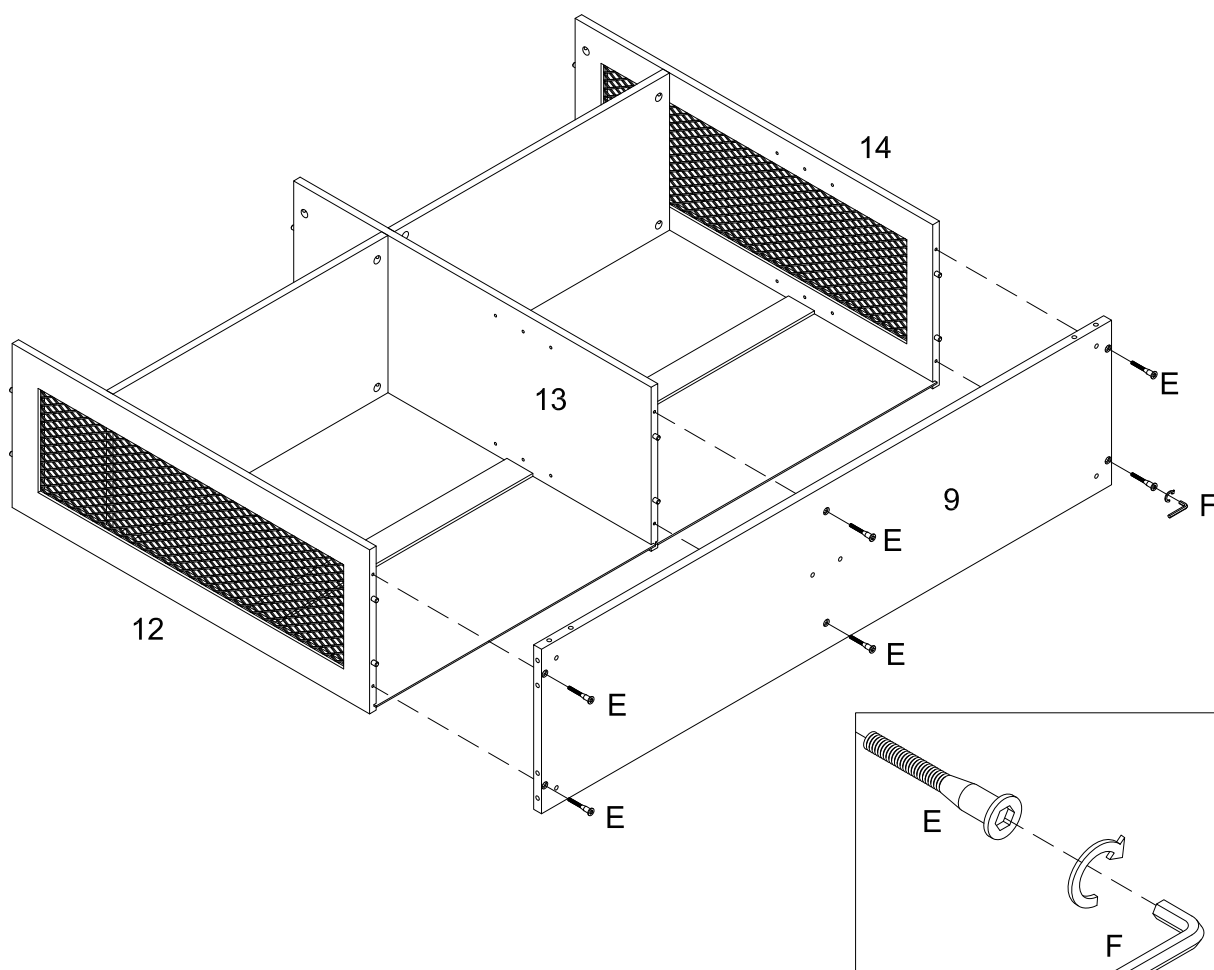
Put part (5) into parts (3,4,12,13,14) as per diagram.

Step 7



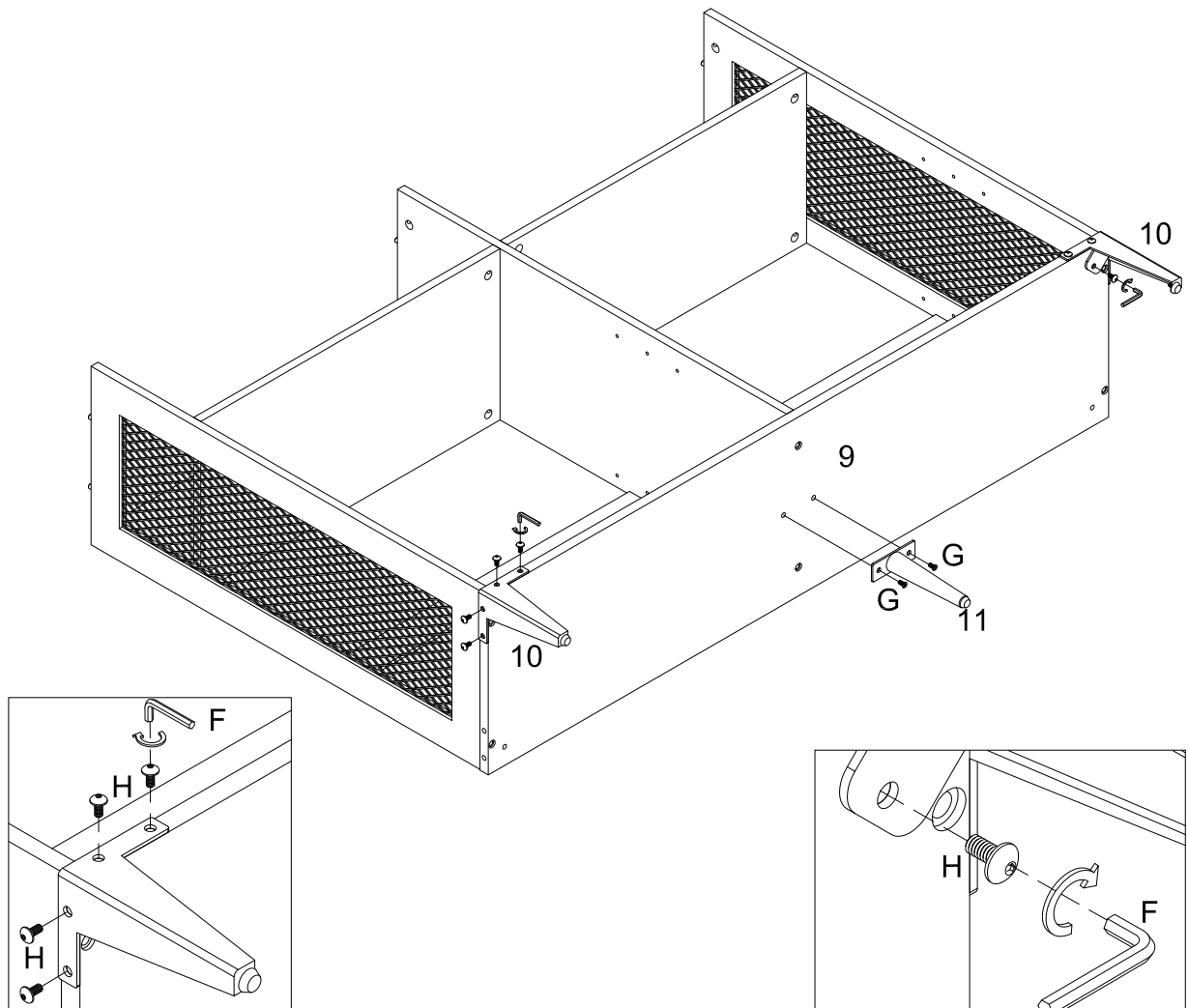
Put parts (6,8) into pre-assembly frame as per diagram.

Step 8



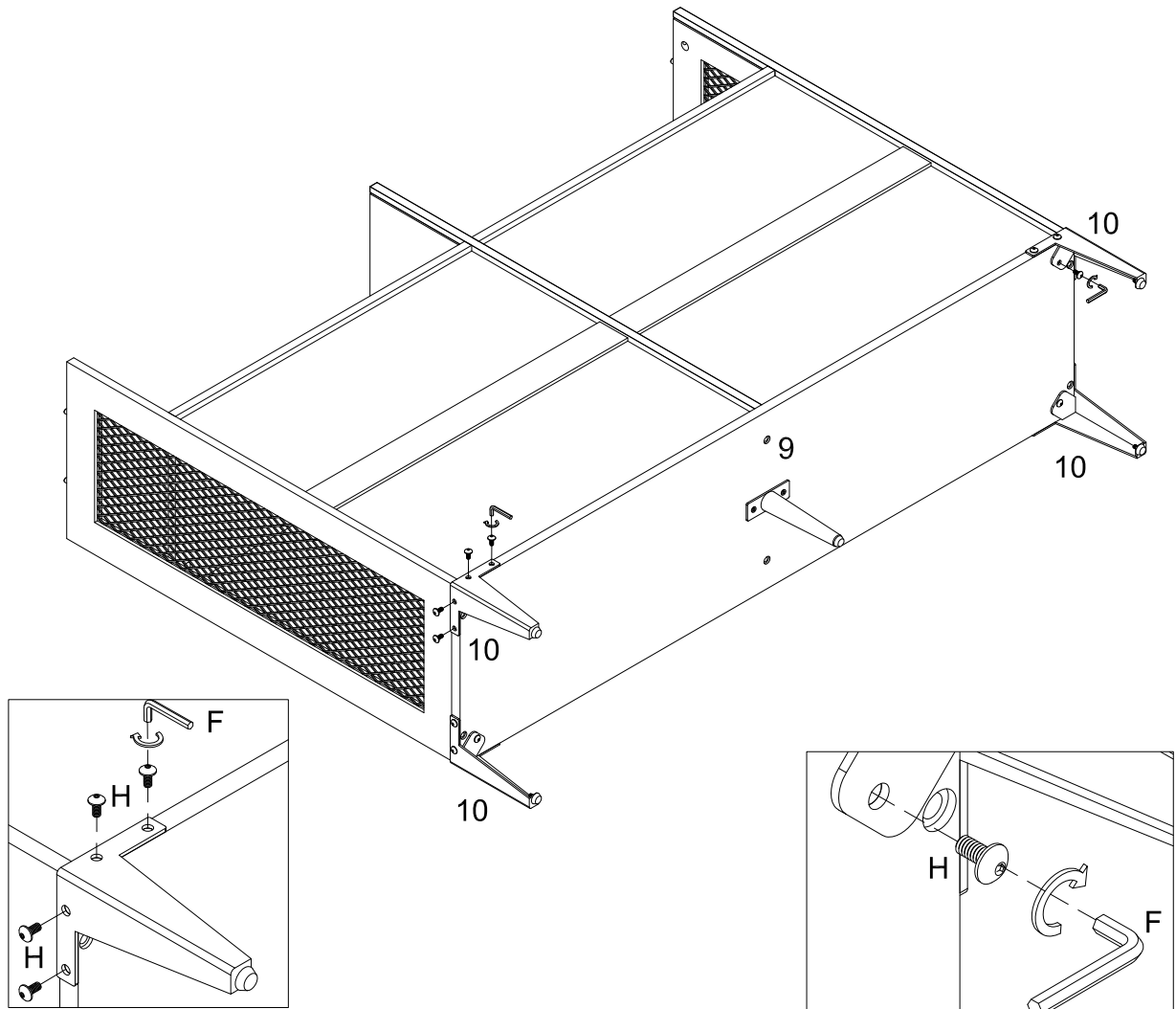
Using bolt (E) attach part (9) into parts (12,13,14) with hex key (F) as per diagram.
Align the back panel slot .

Step 9



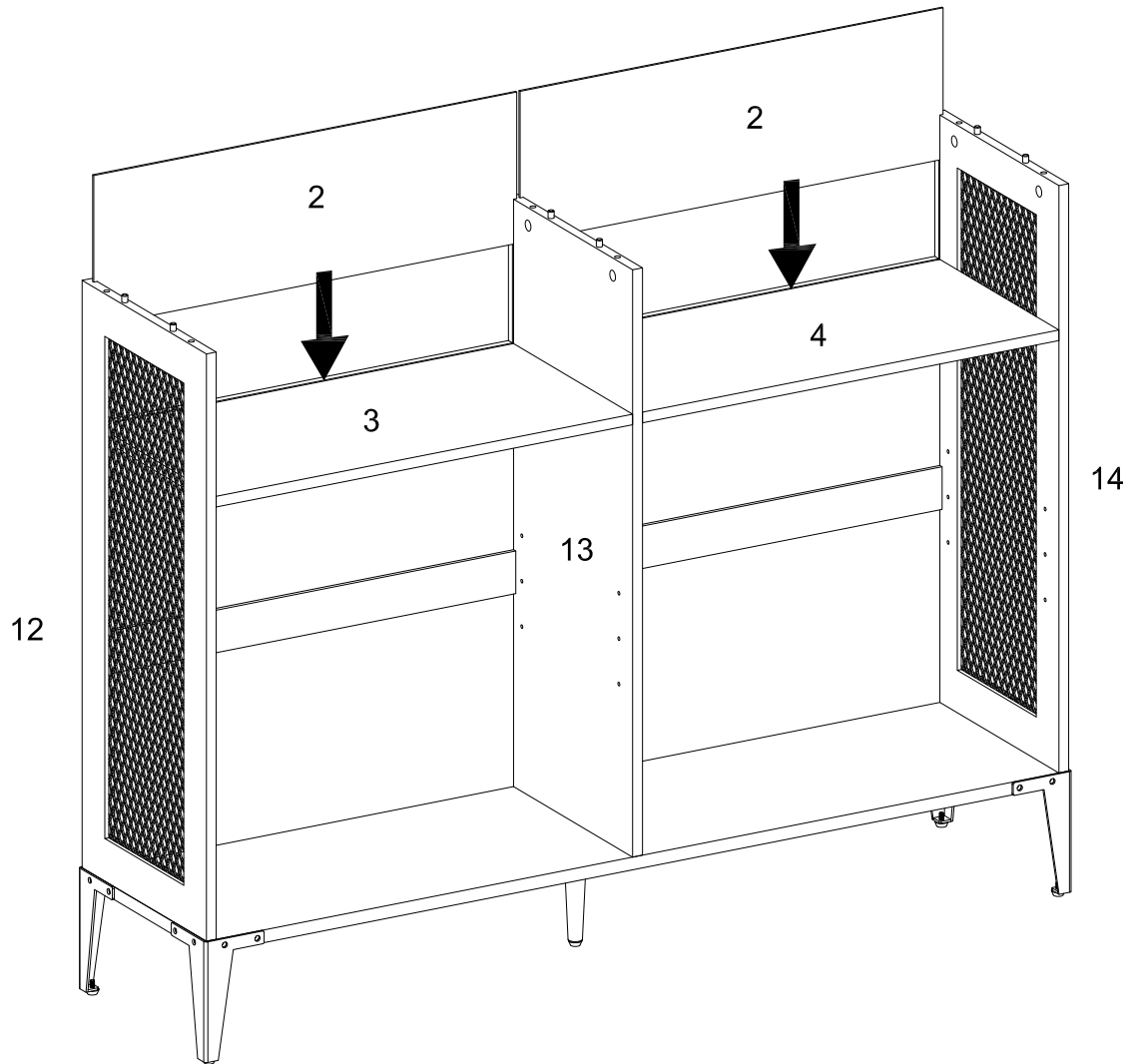
Using bolt (H) attach part (10) into part (9) with hex key (F) ,then using bolt (G) attach part (11) to part (9) as per diagram.

Step 10



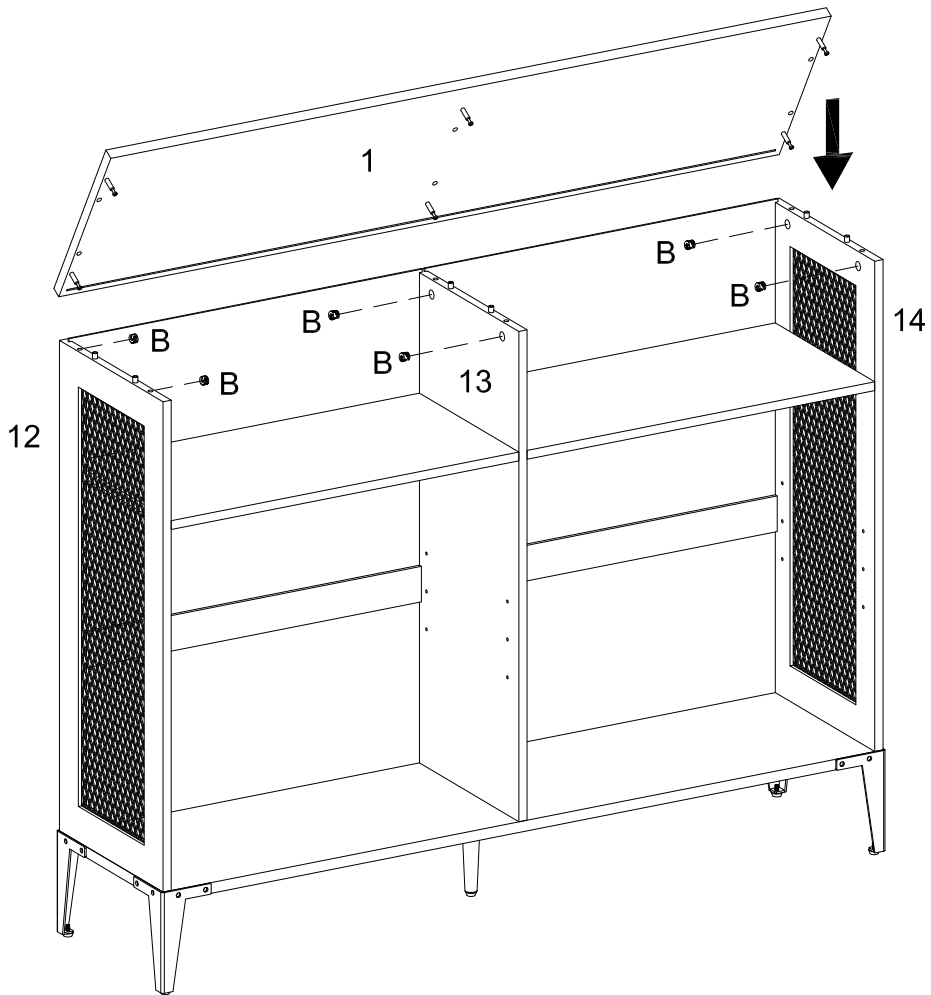
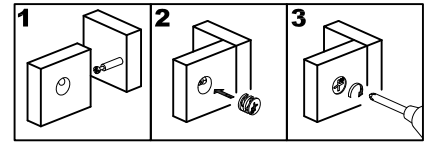
Using bolt (H) attach part (10) into part (9) with hex key (F).

Step 11



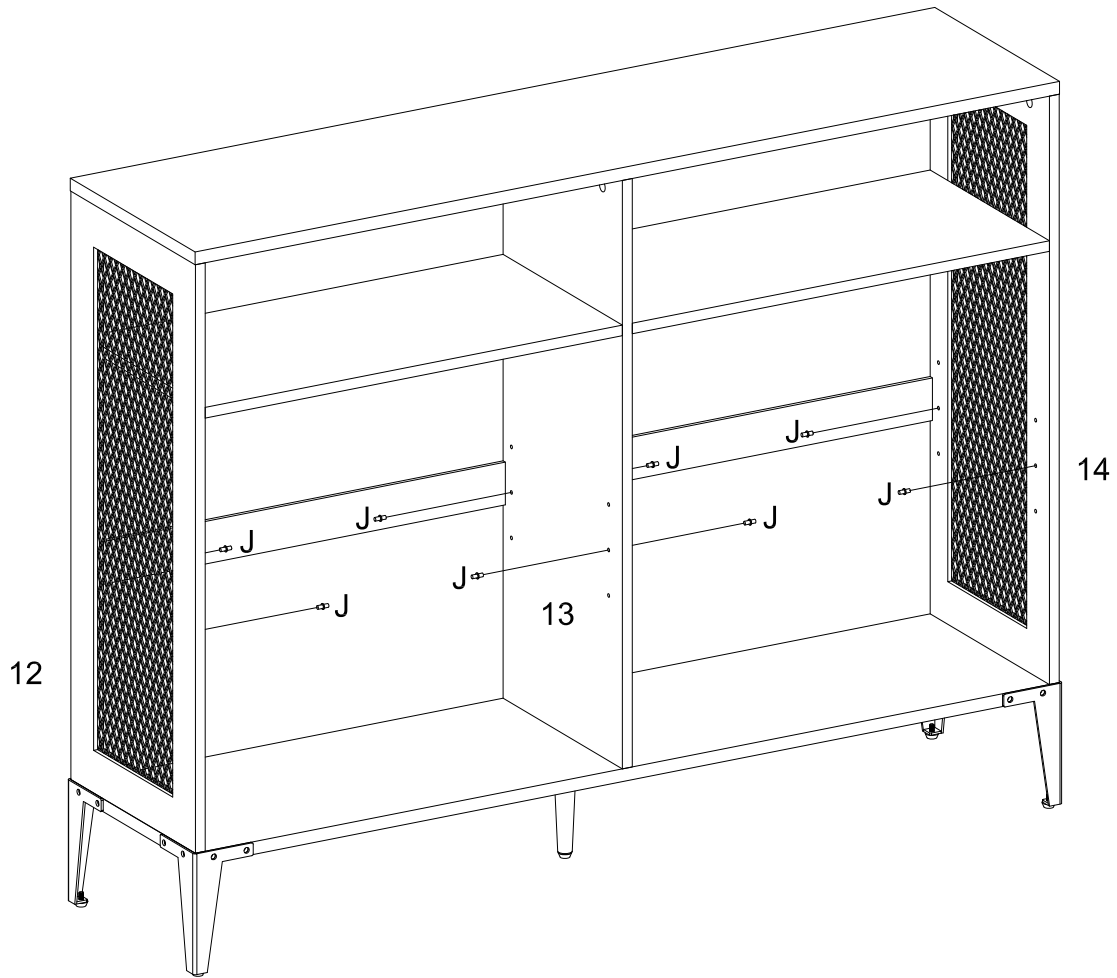
Put part (2) into parts (3,4,12,13,14) as per diagram.

Step 12



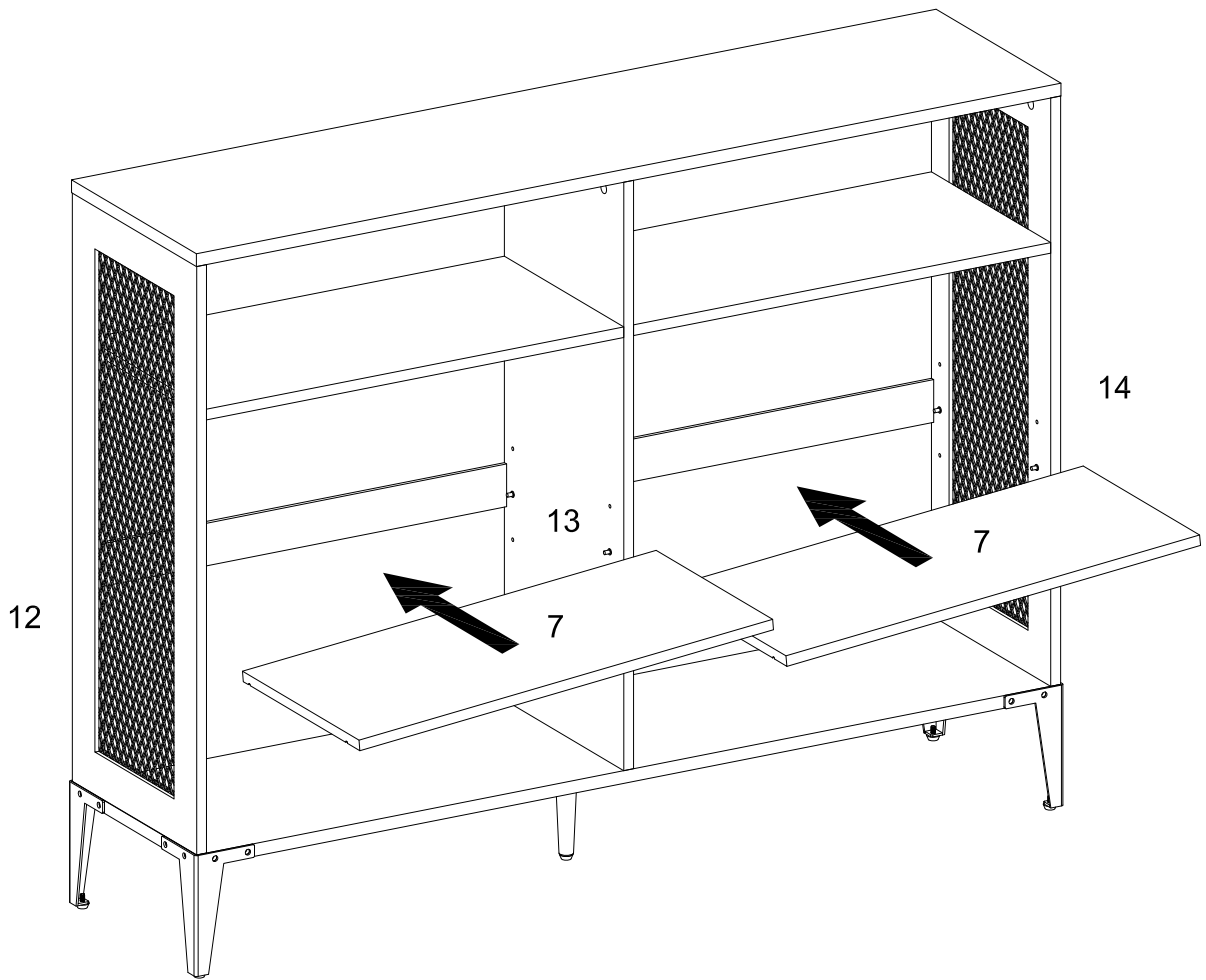
Using cam lock(B) secure part (1) to parts (12,13,14) with Philips head screwdriver as per diagram.

Step 13



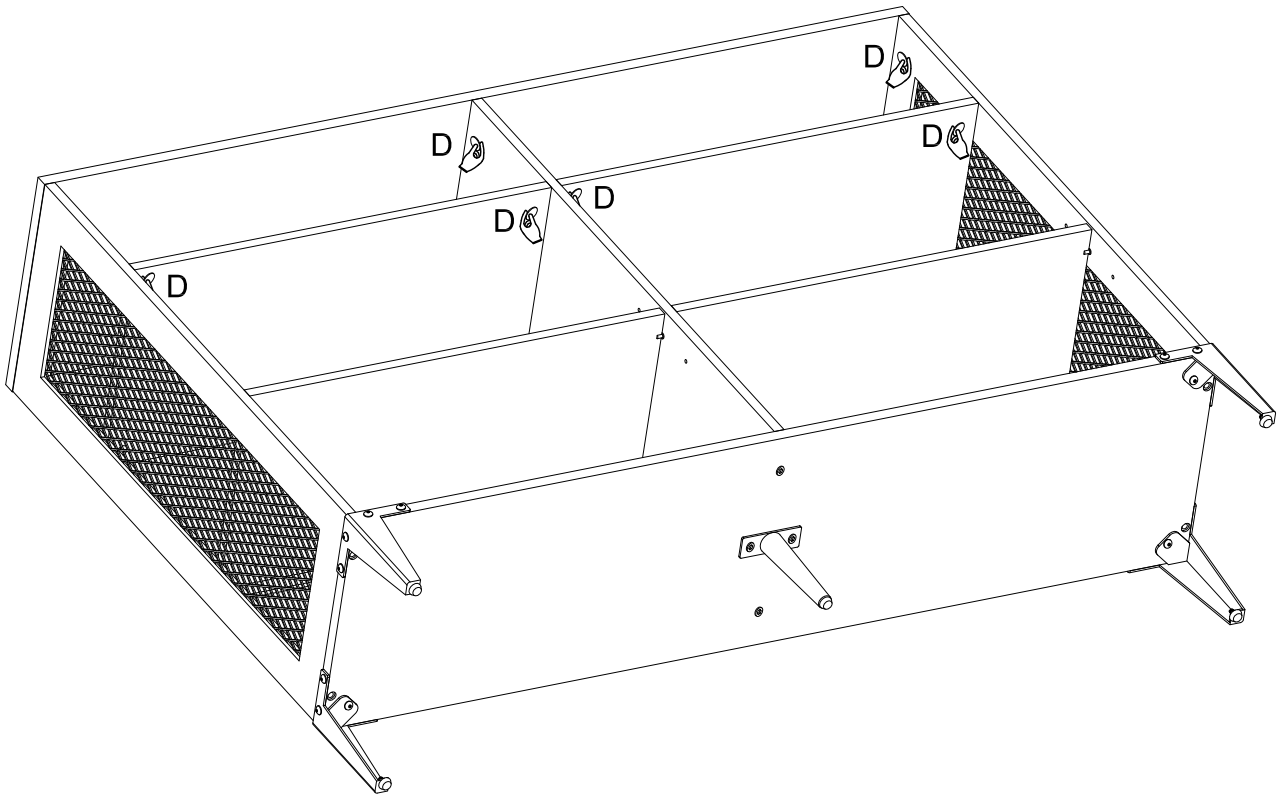
Insert shelf support pin (J) into parts (12,13,14) as per diagram. Make sure you place the four shelf support pins (J) in the same level. So the shelf is not titled .

Step 14



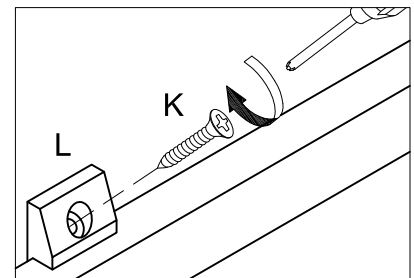
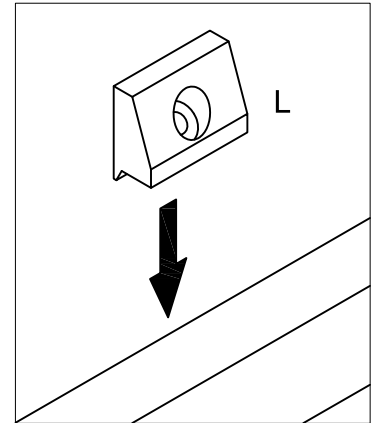
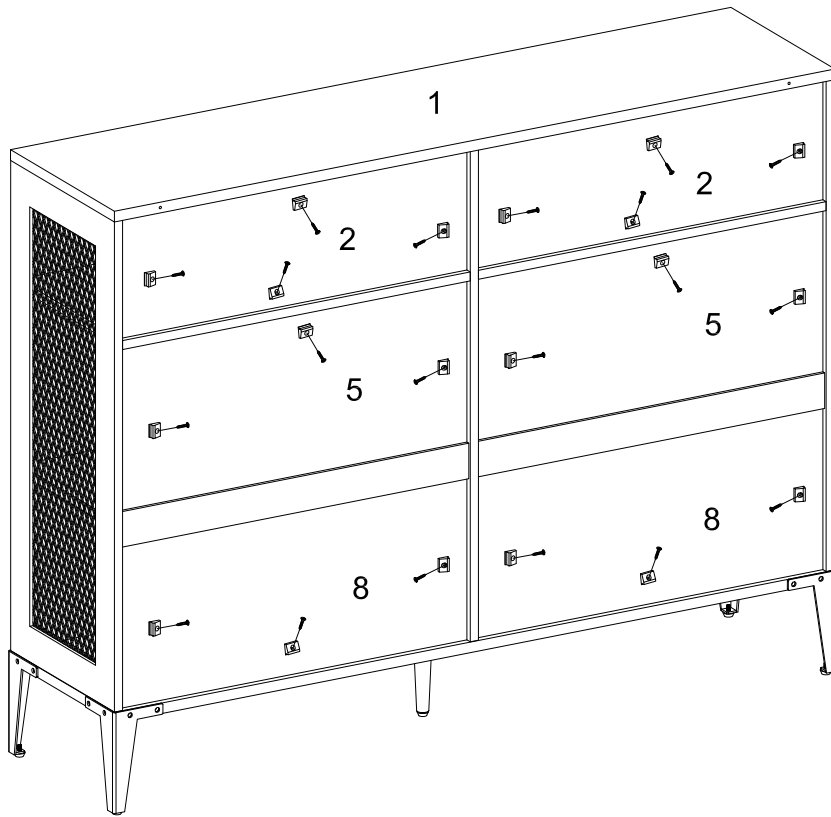
Put part (7) into unit as per diagram.

Step 15



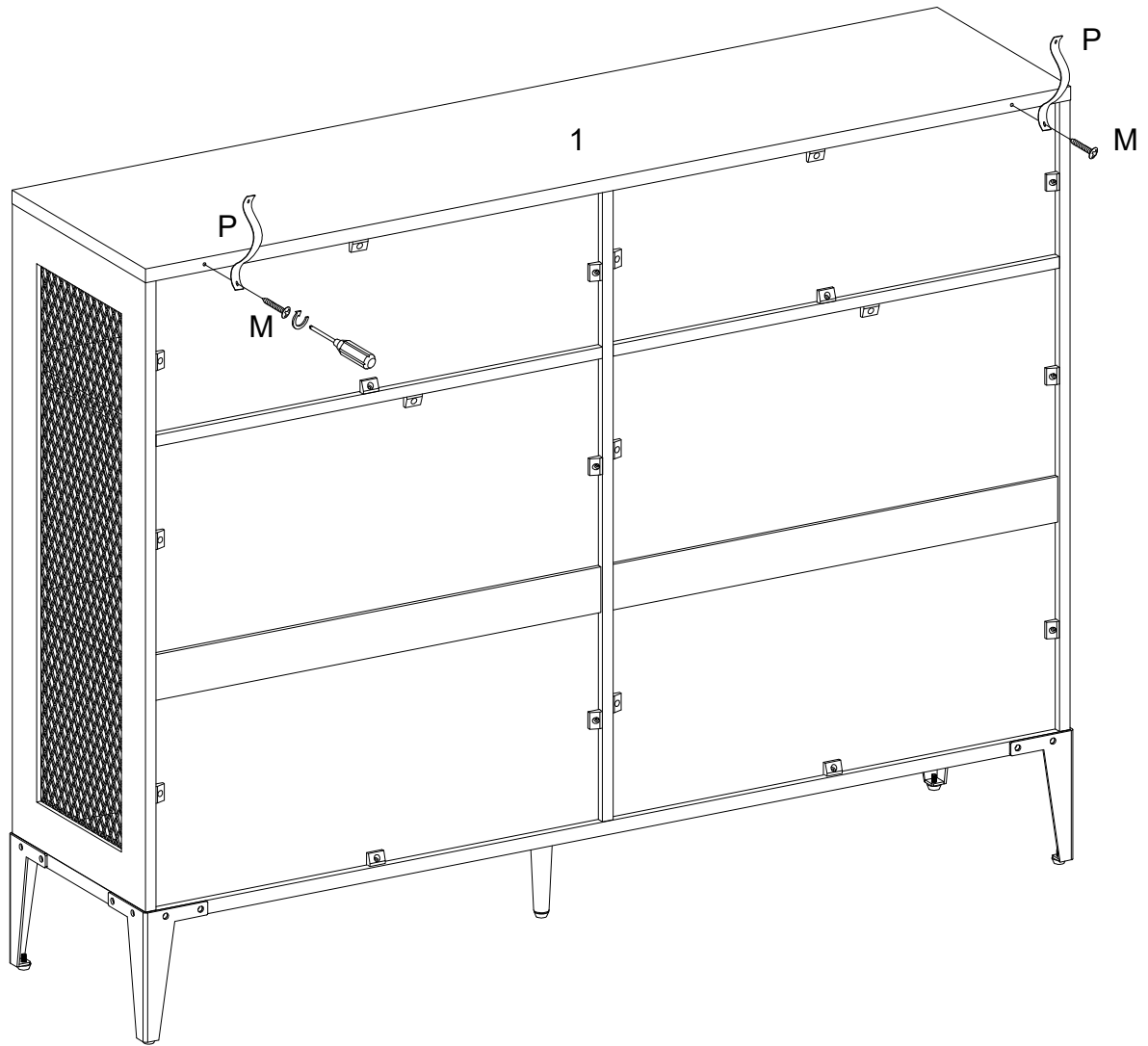
Place sticker (D) cover the holes as per diagram .

Step 16



Using screw (K) secure plastic wedge (L) to parts (2,5,8) with Philips head screwdriver as per diagram.

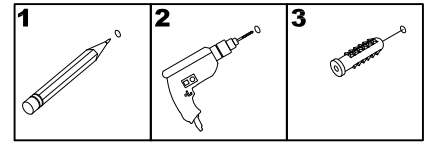
Step 17



Using screw (M) attach plastic strap (P) into part (1) with Philips head screwdriver as per diagram.

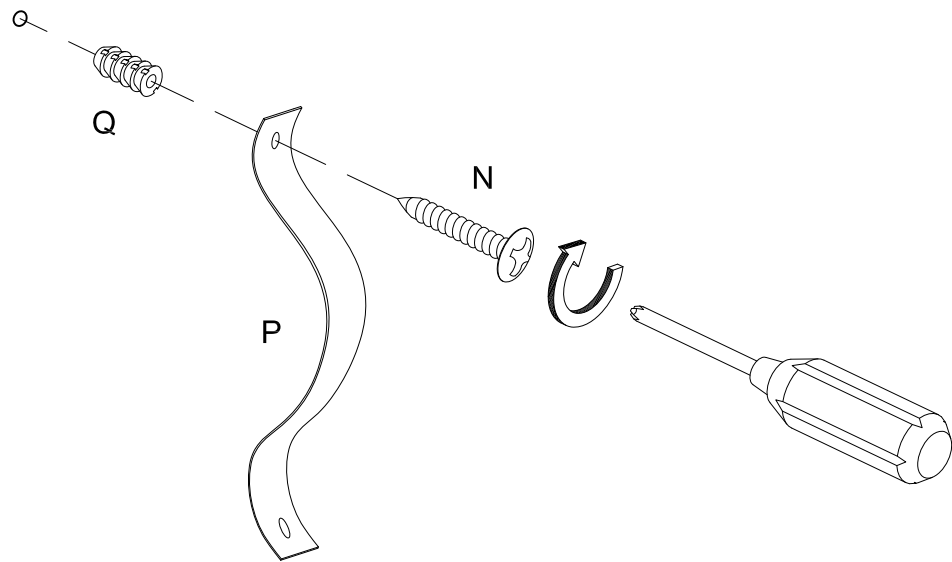
Step 18

WARNING



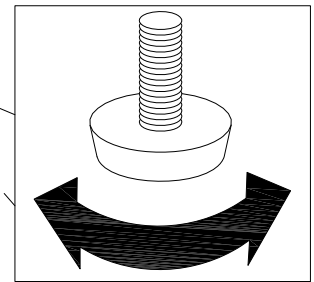
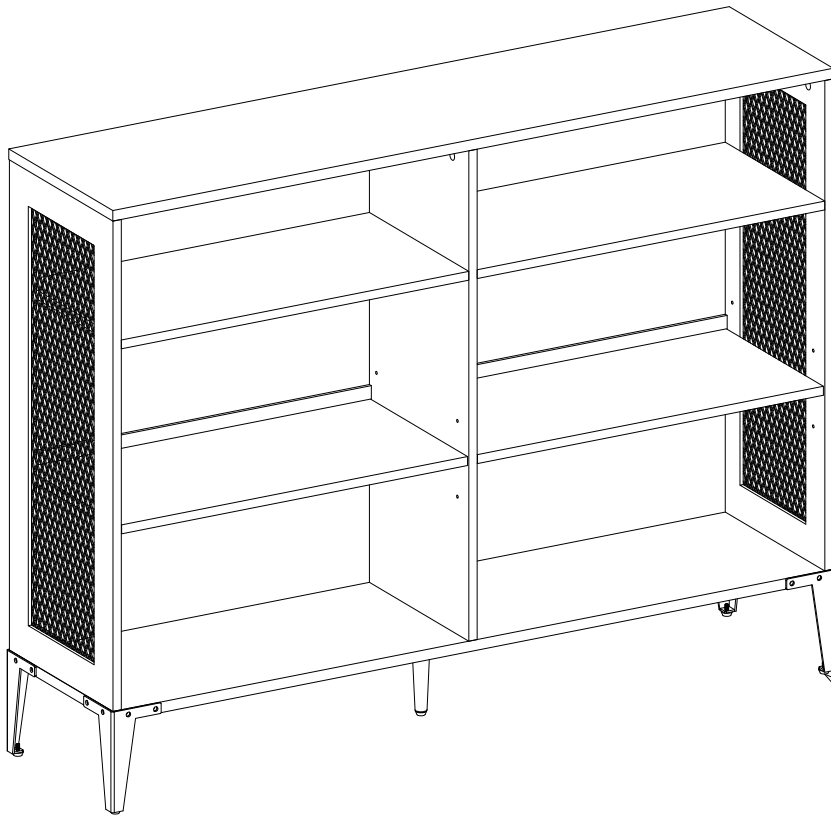
Serious or fatal injuries can occur from furniture tipping over. To prevent the furniture from tipping over we recommend that it is permanently fixed to the wall. Wall anchor and hardware are included with this product. Please make sure hardware is suitable for your walls before installing, as different wall materials may require different types of anchors.

Wall



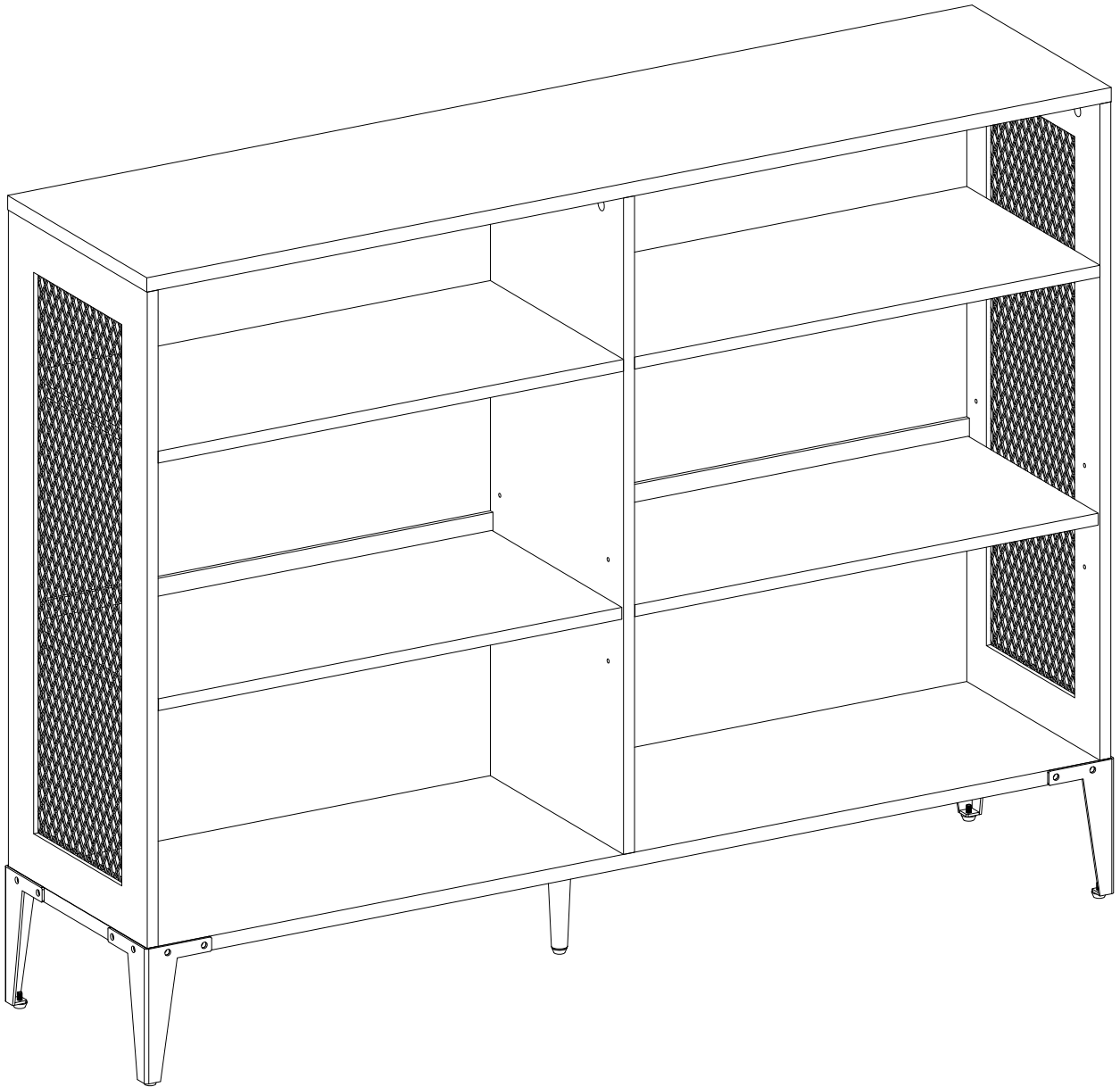
Using screw (N) attach plastic strap (P) into nut (Q) to wall with Philips head screwdriver as per diagram.

Step 19



If necessary, adjust the floor levelers to level the unit.

Step 20



Final Assembly