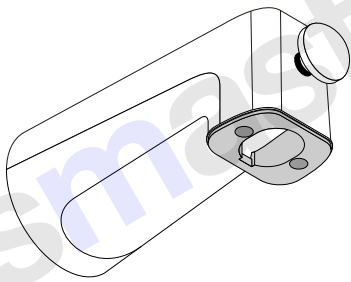


51112 & 51113 Assembly



Slip-Fit adapter
3/4" M.I.P.
5/8" I.D.



Gasket



Hex key



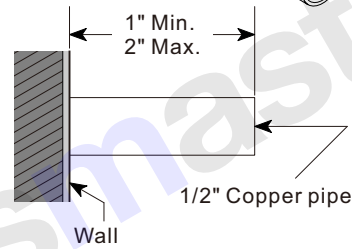
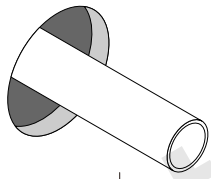
Teflon tape



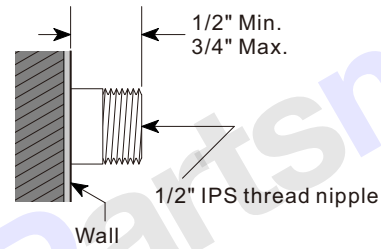
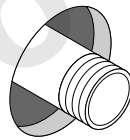
Reducer bushing adapter
3/4"x1/2"

Pipe dimensions

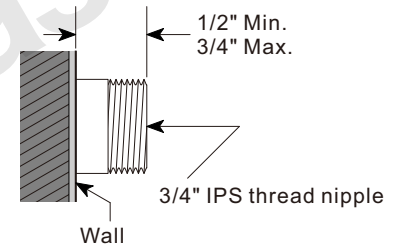
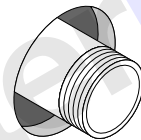
A



B



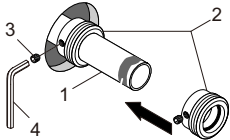
C



Remove old tub spout. Determine connection using the above images.

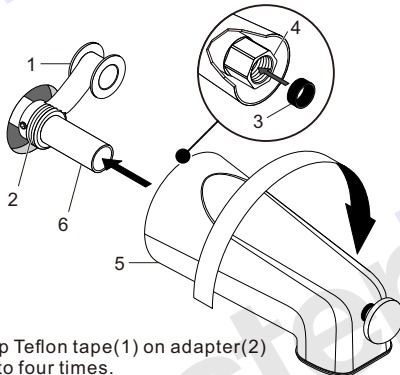
Replace new tub spout

A-1



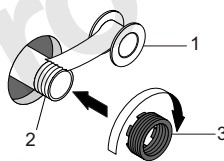
1. Slip adapter(2) onto pipe(1).
2. Install set screw(3) by hex key(4).

A-2



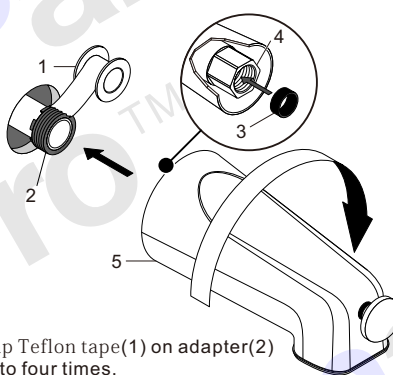
1. Wrap Teflon tape(1) on adapter(2) two to four times.
2. Insert gasket(3) into extension nipple(4).
3. Fasten tub spout(5) onto the copper pipe(6)

B-1



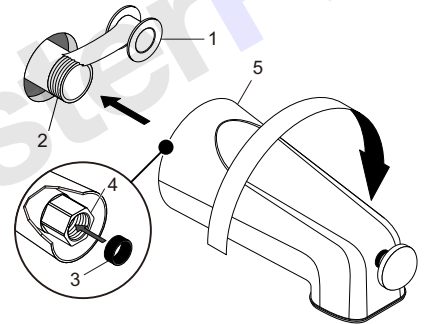
1. Wrap 2 to 4 turns of Teflon tape(1) onto nipple(2).
2. Tighten adapter(3) onto nipple(2).

B-2



1. Wrap Teflon tape(1) on adapter(2) two to four times.
2. Insert gasket(3) into extension nipple(4).
3. Fasten tub spout(5) onto the adapter(2).

C



1. Wrap Teflon tape(1) on adapter(2) two to four times.
2. Insert gasket(3) into extension nipple(4).
3. Fasten tub spout(5) onto the nipple(2).