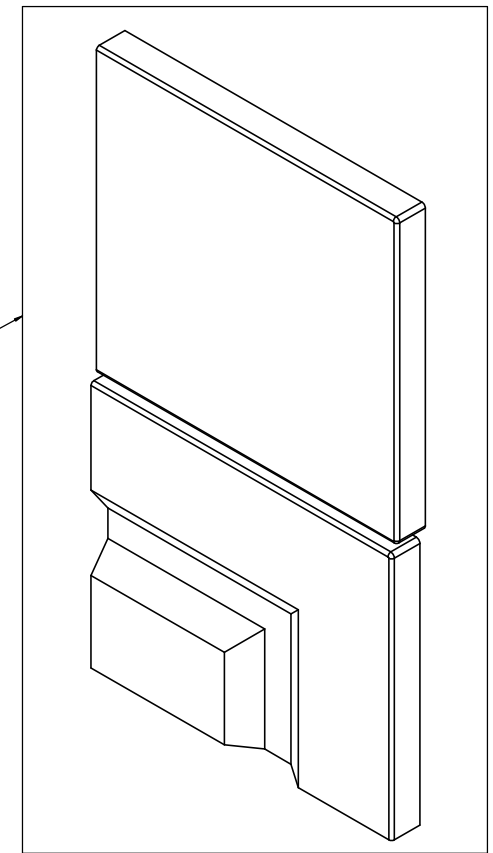
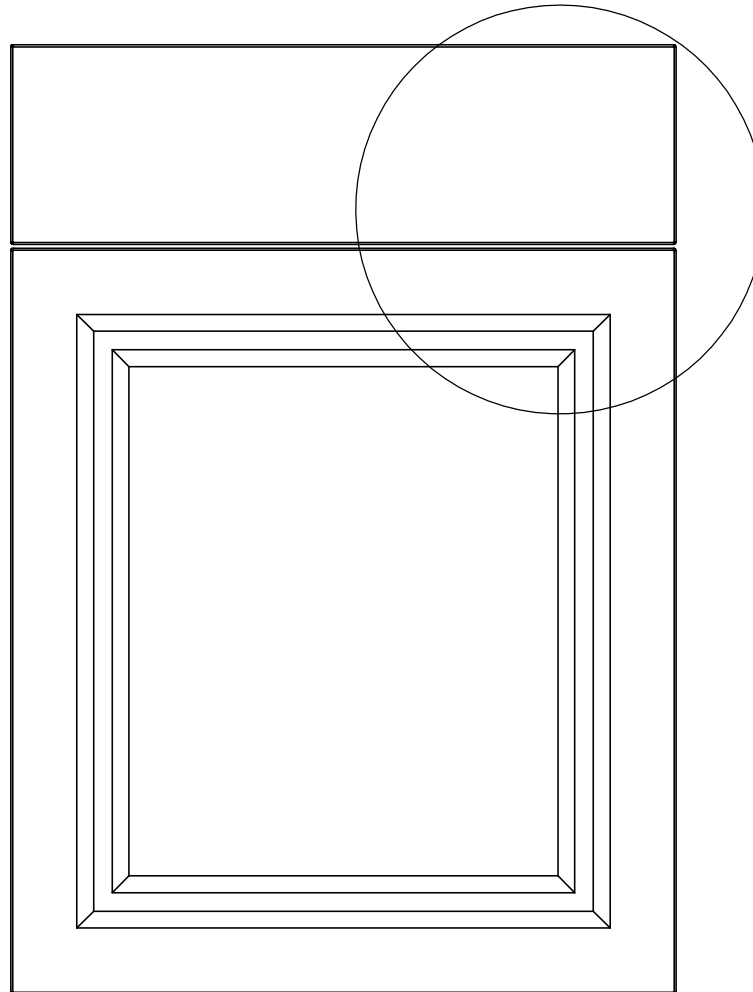


Item ID	Front Thickness [in] mm	Door Thickness [in] mm
BT2135B-WH	[.63] 16	[.63] 16

**This profile  
belongs to  
BT2135B-WH**

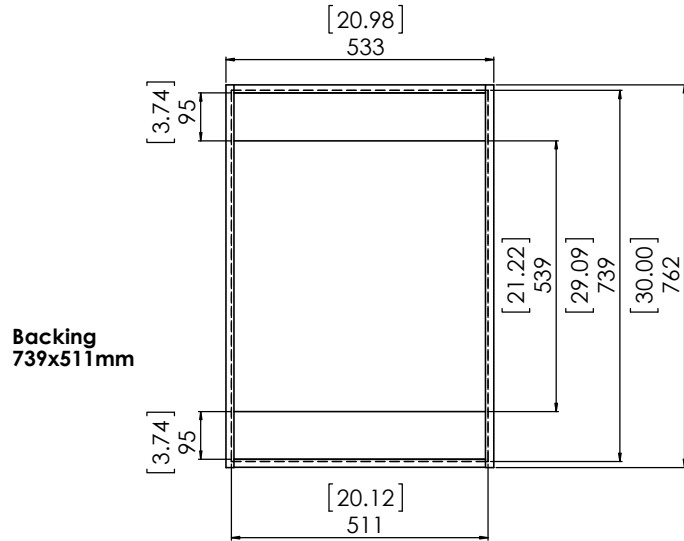


**Detailed View**

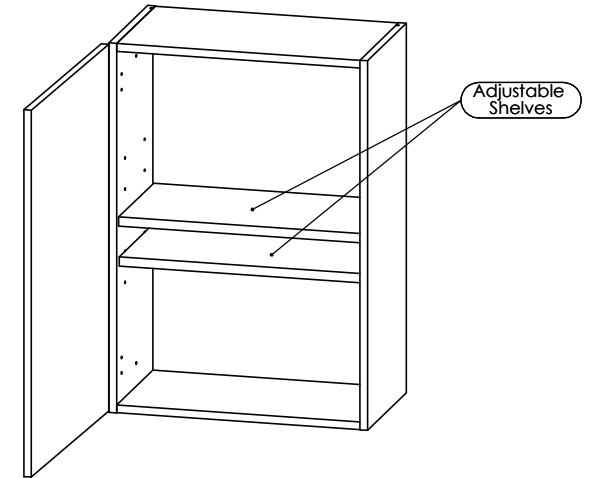
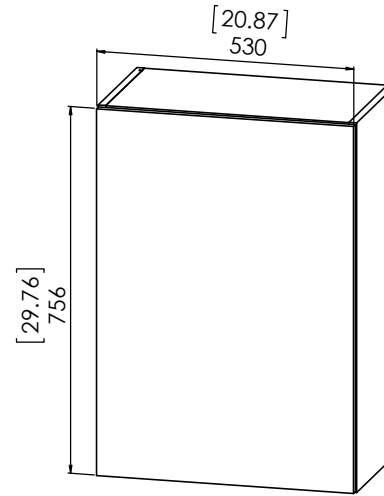
<b>Profile: Benton White</b>	
PROPRIETARY AND CONFIDENTIAL THE INFORMATION CONTAINED IN THIS DRAWING IS THE SOLE PROPERTY OF WOODCRAFTERS. ANY REPRODUCTION IN PART OR AS A WHOLE WITHOUT THE WRITTEN PERMISSION OF WOODCRAFTERS IS PROHIBITED.	UNLESS OTHERWISE SPECIFIED DIMENSIONS ARE IN MM AND [INCHES] TOLERANCES ARE +.039[1]-.039[1] SCALE:1:2

Item ID	Shelf Thickness [in] mm	Shelf Length and Width [in] mm	Depth "X" [in] mm
BT2130W-BT	[.75] 19	[19.57x10.57] 497x268.50	[12.6] 320.5
BT2130W-WH	[.75] 19		[12.5] 317.5
BT2130W-RC	[.75] 19		[12.6] 320.5
CM2130W-DK	[.75] 19		[12.6] 320.5
CM2130W-WH	[.59] 15		[12.5] 317.5
EH2130W-GB	[.75] 19		[12.6] 320.5

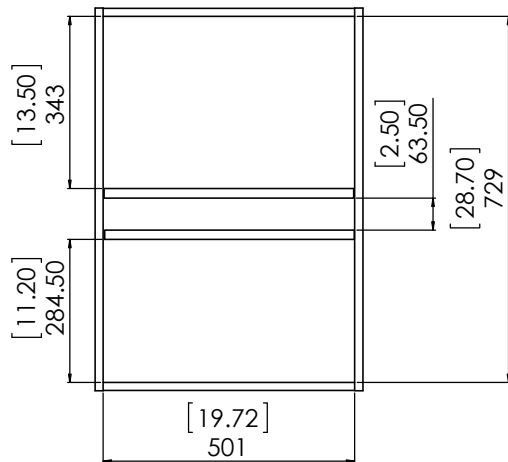
Description					
Assembled Wall Cabinet 21W x 30H					
REV	ECO#	Description	REV'D BY DATE	CHK'D BY DATE	APRV'D BY DATE



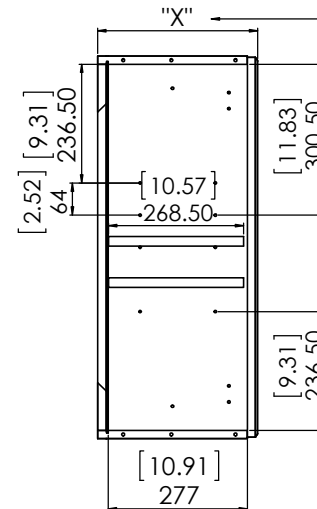
Back View



Isometric View



Front View (front door removed)



Depth "X" depends on door profile

Side View (left panel removed)

NAME	SIGNATURE	DATE	MATERIAL:	
DRAWN	Mark Flores	11/6/17		
CHK'D			WEIGHT:	
APPV'D				
MFG				
PROPRIETARY AND CONFIDENTIAL			UNLESS OTHERWISE SPECIFIED	
THE INFORMATION CONTAINED IN THIS DRAWING IS THE SOLE PROPERTY OF WOODCRAFTERS. ANY REPRODUCTION IN PART OR AS A WHOLE WITHOUT THE WRITTEN PERMISSION OF WOODCRAFTERS IS PROHIBITED.			DIMENSIONS ARE IN MM. AND [INCHES]	
TOLERANCES ARE + 0.039 [1] - 0.039 [-1]			SCALE:1:5	
			SCALE:1:5	
			A1	
			Wood Crafters	
			Wall_Cabinet_21in	
			SHEET 1 OF 2	