

OMSID # 304603999  
# 304604000  
# 304604002

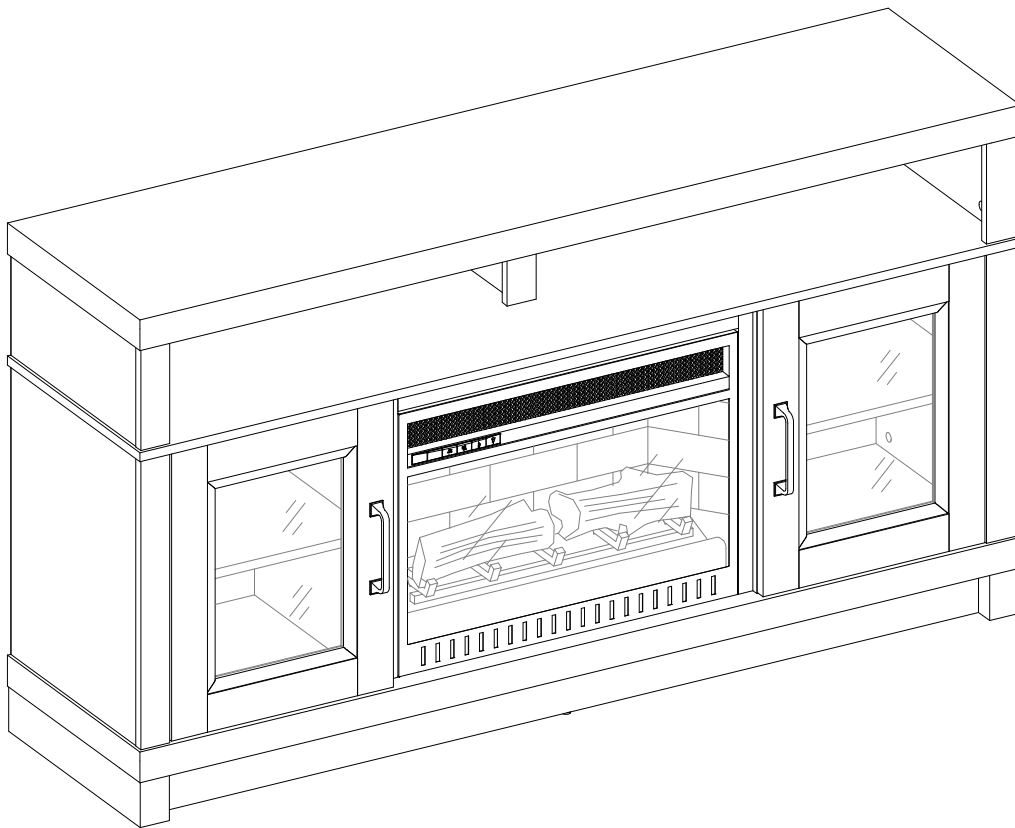
**HOME**  
DECORATORS  
COLLECTION

Model # WSFP60ECHD-34  
# WSFP60ECHD-35  
# WSFP60ECHD-36

## ASSEMBLY INSTRUCTIONS

---

### Ashmont 60 in. Media Console Infrared Electric Fireplace



**Questions, problems, missing parts? Before returning to the store,  
call Home Decorators Collection Customer Service**

**8 a.m. - 7 p.m., EST, Monday-Friday**

**9 a.m. - 6 p.m., EST, Saturday**

**1-800-986-3460**

**[HOMEDEPOT.COM/HOMEDECORATORS](http://HOMEDEPOT.COM/HOMEDECORATORS)**

---

**THANK YOU**

*We appreciate the trust and confidence you have placed in Home Decorators Collection through the purchase of this fireplace console. We strive to continually create quality products designed to enhance your home. Visit us online to see our full line of products available for your home improvement needs. Thank you for choosing Home Decorators Collection!*

# Table of Contents

Table of Contents.....2  
Safety Information.....2  
Warranty .....2  
Pre-Assembly.....2  
    Planning Assembly.....2  
    Tools required .....2

Hardware Included.....3  
Package Contents .....4  
Assembly.....5  
Care and Maintenance.....17

# Safety Information

Please read and understand these instructions before assembling and using this console. Save these instructions for future reference.

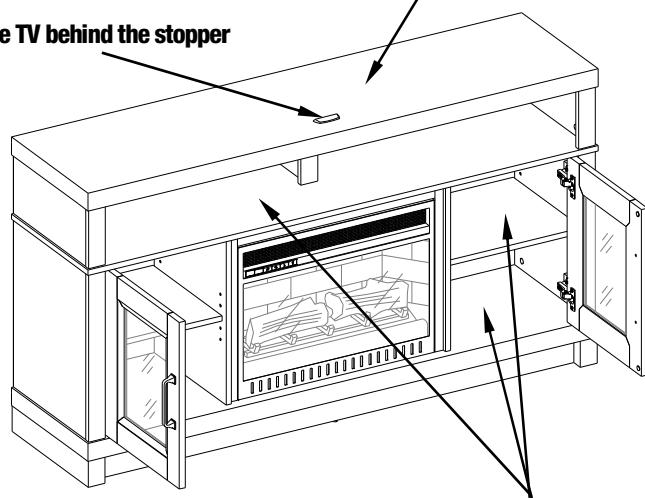
## MAXIMUM RECOMMENDED WEIGHT LOADS



**WARNING:** This unit is not intended for use with CRT TVs. Use only with flat panel TVs and audio/video equipment meeting recommended size and weight limits. Never use with larger/heavier than recommended flat panel TVs or equipment. To avoid instability, place flat panel TV in the center of the unit; the base of the television must be able to rest on the supporting surface of the unit without over-hanging the edges. Improperly positioned flat panel TVs, or flat panel TVs or other equipment that exceeds recommended size and weight limits could fall off or break the unit, causing possible serious injury.

Fits up to most 177.8 cm / 70 in. flat panel TVs  
Maximum load 61.3 kg / 135 lb

Place TV behind the stopper



Maximum load 22.7 kg / 50 lb

# Warranty

We are confident that you will be delighted with this purchase. Should this product be defective in workmanship or materials, or fail under normal use, we will repair or replace it for a period of up to one (1) year from date of purchase.

This warranty gives you specific rights and you may also have other rights which vary from state to state.

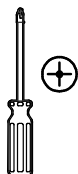
Contact the Customer Service Team at 1-800-986-3460 or visit [www.HomeDepot.com/homedecorators](http://www.HomeDepot.com/homedecorators).

# Pre-Assembly

## PLANNING ASSEMBLY

Compare all parts with the Hardware Included and Package Contents list. If any part appears missing or damaged, do not assemble this product and contact the Customer Service Team at 1-800-986-3460.

## TOOLS REQUIRED



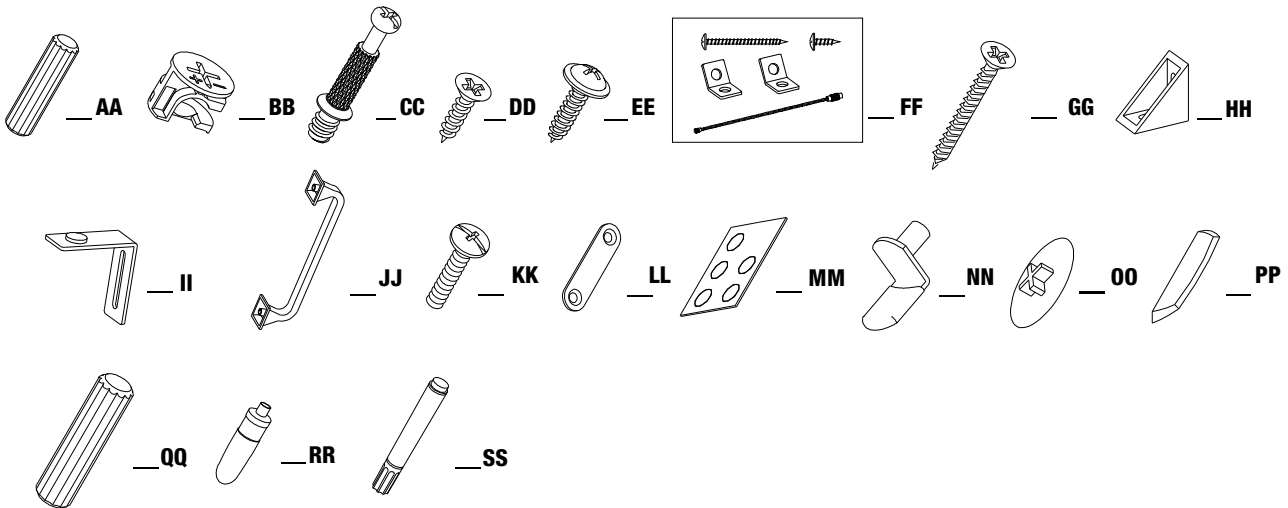
Phillips  
screwdriver  
(not provided)

# Pre-Assembly (continued)

## HARDWARE INCLUDED



**NOTE:** Hardware not shown to actual size.

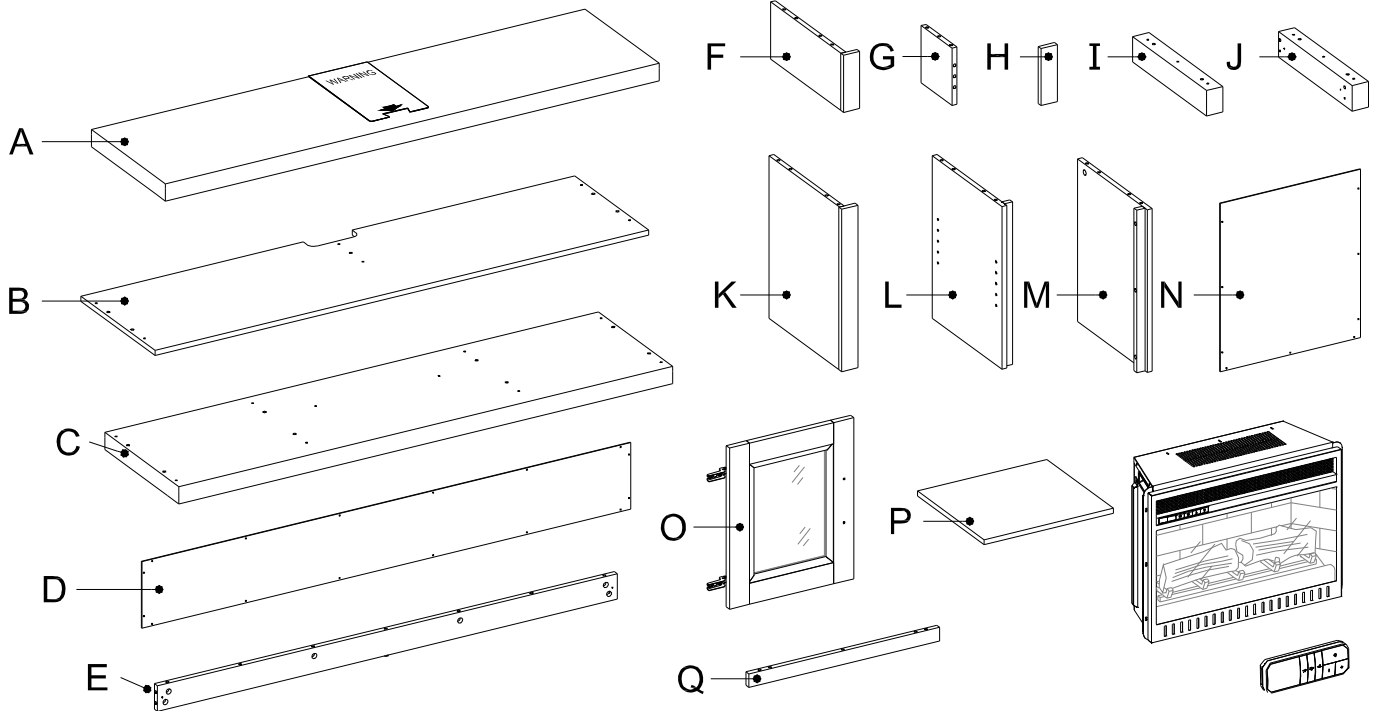


Part	Description	Quantity
AA	Small wood dowel	39 + 1 extra
BB	Cam lock	41 + 2 extra
CC	Cam bolt	41 + 2 extra
DD	Short wood screw	4 + 1 extra
EE	Washer head screw	44 + 2 extra
FF	Tipping restraint hardware kit	2
GG	Long wood screw	10 + 1 extra
HH	Corner connector	4
II	L-shaped metal brace	2
JJ	Handle	2
KK	Handle bolt	4

Part	Description	Quantity
LL	Straight metal plate	2
MM	Bumper	4 + 1 extra
NN	Shelf pin	8 + 1 extra
OO	Cam lock cover	30 + 1 extra
PP	Acrylic stopper	1
QQ	Large wood dowel	4 + 1 extra
RR	Glue	1
SS	Touch-up pen (Not included for WSFP60ECHD-36)	1

# Pre-Assembly (continued)

## PACKAGE CONTENTS



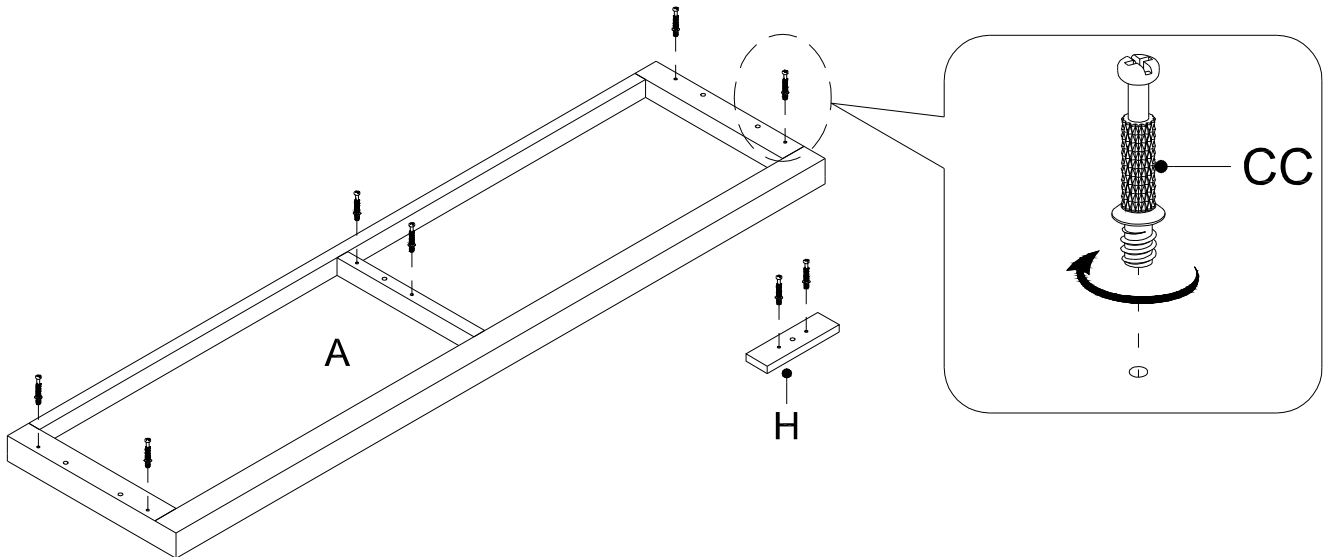
Part	Description	Quantity
A	Top panel	1
B	Fixed shelf	1
C	Bottom panel	1
D	Upper back panel	1
E	Bottom long support	2
F	Upper side panel	2
G	Upper partition panel	1
H	Upper partition molding	1
I	Left bottom support	1
J	Right bottom support	1

Part	Description	Quantity
K	Lower side panel	2
L	Left lower partition panel	1
M	Right lower partition panel	1
N	Lower back panel	2
O	Door	2
P	Adjustable shelf	2
Q	Middle cross bar	1
	Fireplace insert	1
	Remote control with battery	1

# Assembly

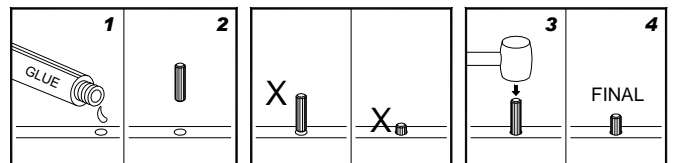
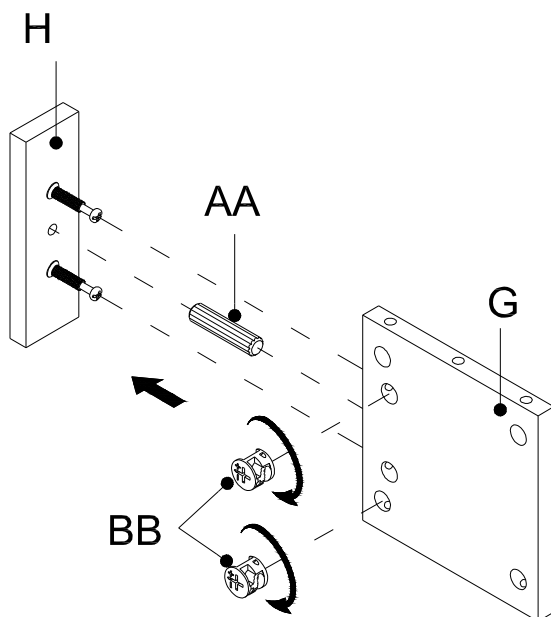
## 1 Screwing the cam bolts

- Unpack the unit and confirm that you have all the hardware and required parts. Assemble the unit on a carpeted floor or the empty carton to avoid any scratches.
- Securely screw the cam bolts (CC) into the designated small holes on the top panel (A) and upper partition molding (H). Fully tighten with a Phillips screwdriver.

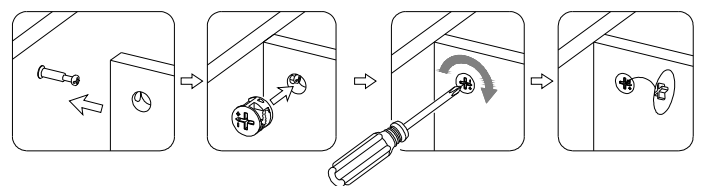


## 2 Attaching the upper partition molding

- Attach the upper partition molding (H) to the upper partition panel (G) with one small wood dowel (AA) and two cam locks (BB).



The dowel assembling guide

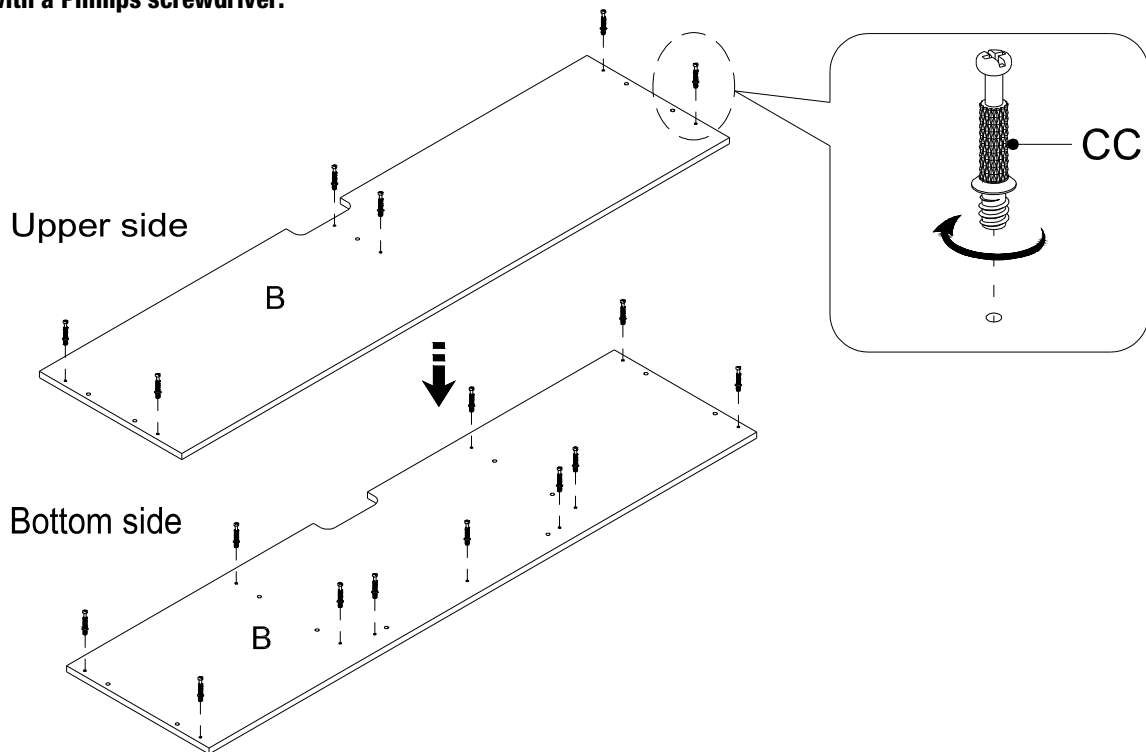


The cam lock assembling guide

## Assembly (continued)

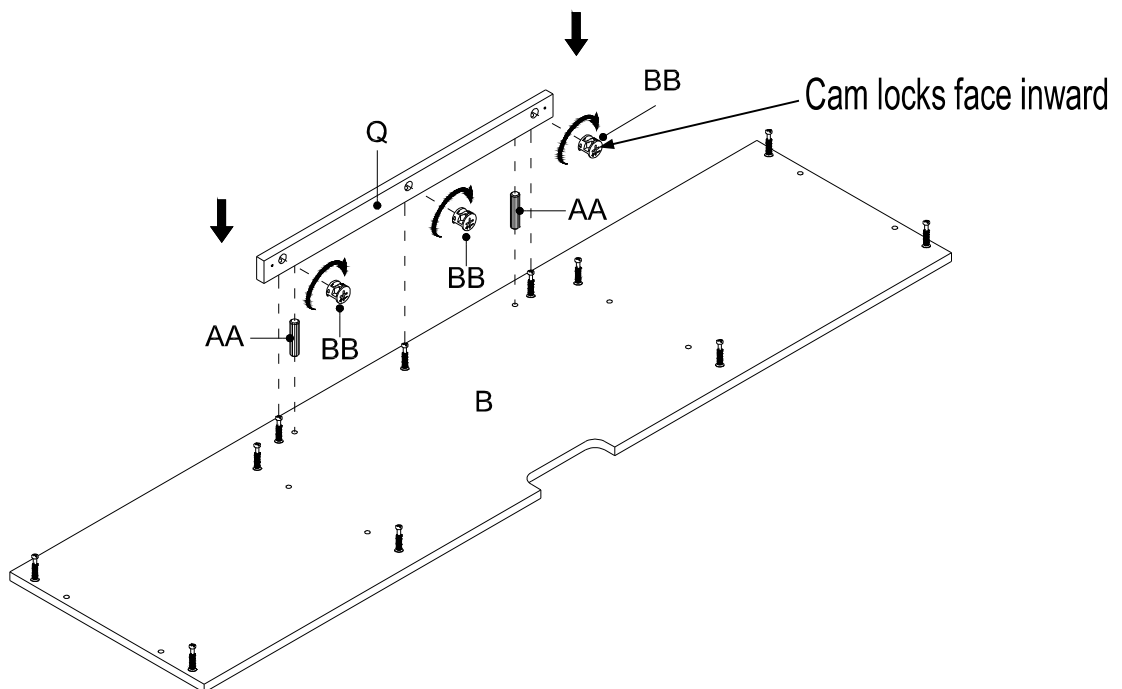
### 3 Screwing the cam bolts

- Securely screw the cam bolts (CC) into the designated small holes on the fixed shelf (B) at both sides. Fully tighten with a Phillips screwdriver.



### 4 Attaching the middle crossbar

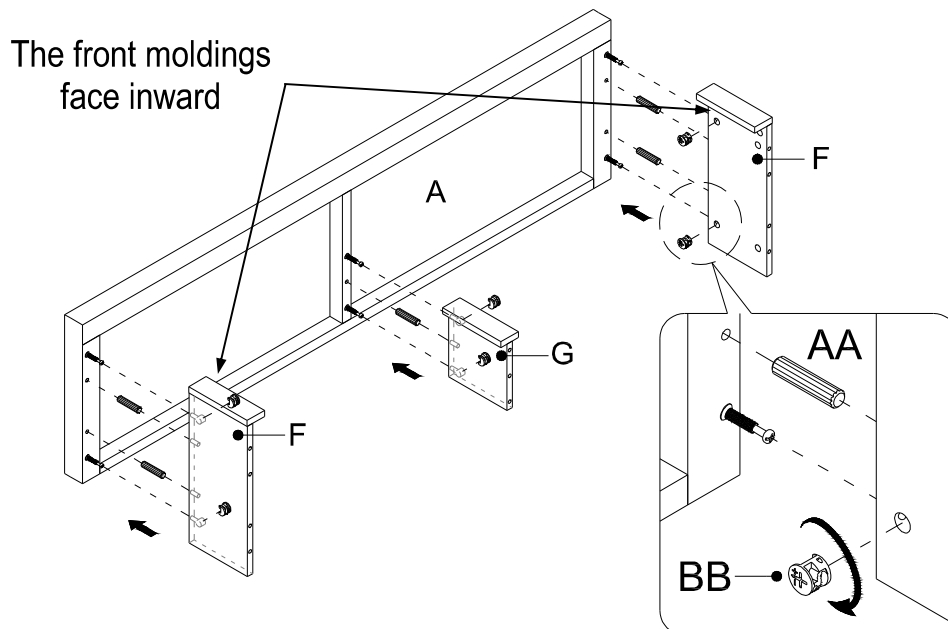
- Attach the middle crossbar (Q) to the fixed shelf (B) using two small wood dowels (AA) and three cam locks (BB).



## Assembly (continued)

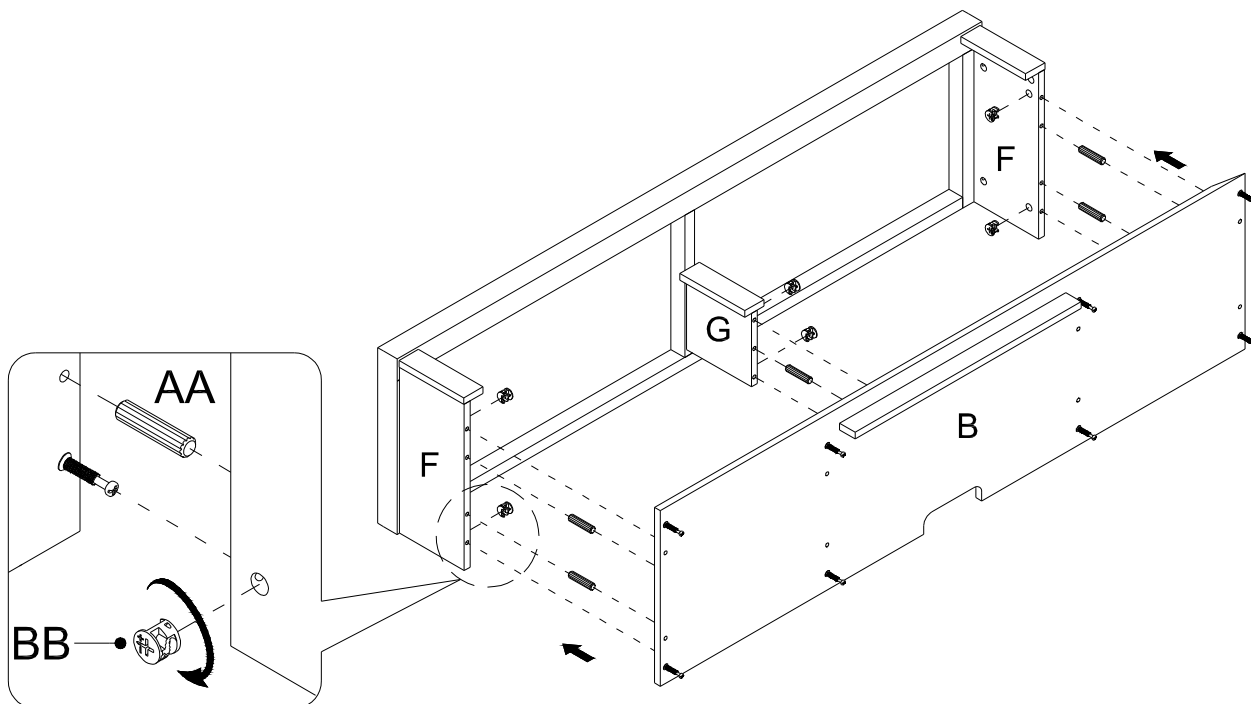
### 5 Attaching the upper side panels and the middle partition panel

- Glue the small wood dowels (AA) into the inner holes of the upper side panels (F) and the upper partition panel (G) and attach them to the top panel (A) by engaging five cam locks (BB).



### 6 Installing the fixed shelf

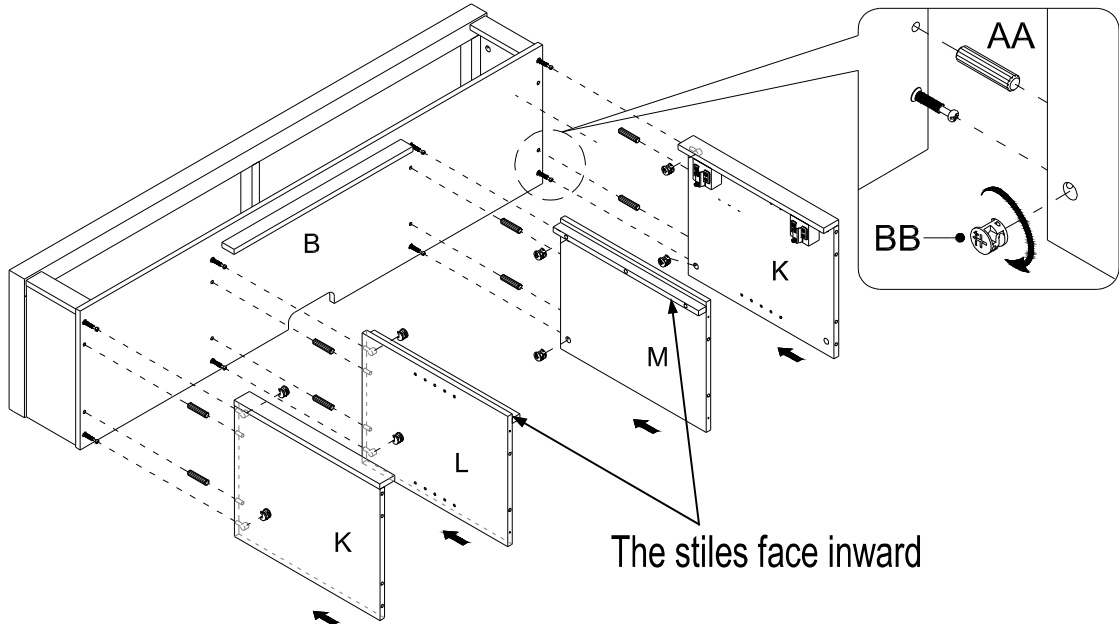
- Glue five small wood dowels (AA) into the inner holes on the vertical panels (F and G). Position the fixed shelf (B) onto the inserted small wood dowels (AA) and fasten it in place with six cam locks (BB).



## Assembly (continued)

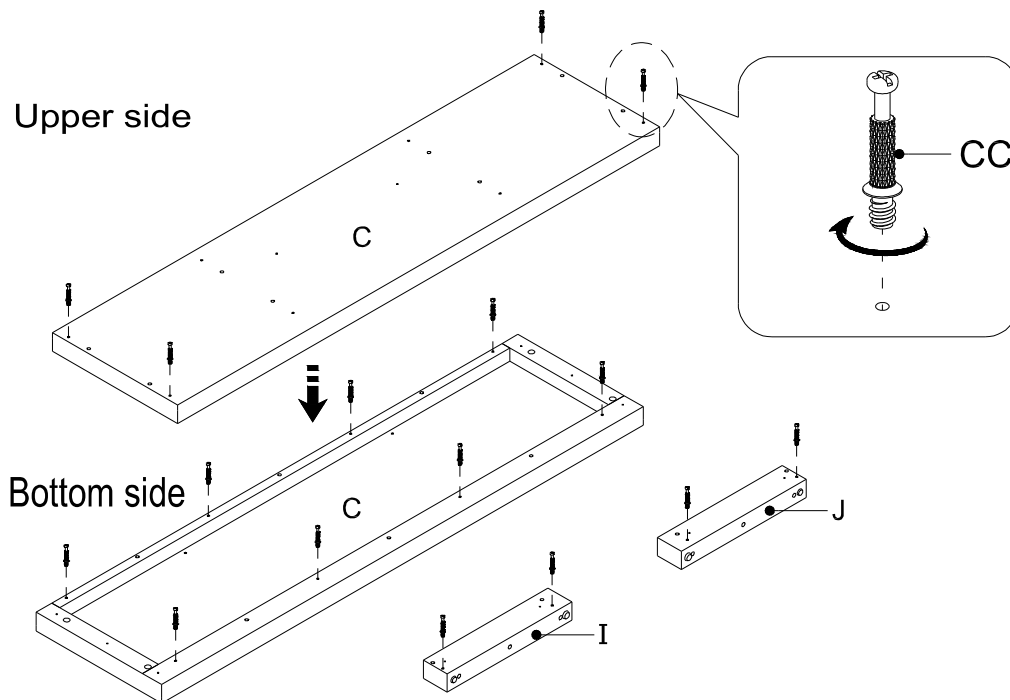
### 7 Attaching the lower side panels and the lower partition panels

- Align and attach the lower side panels (K) and partition panels (L and M) to the fixed shelf (B) using two small wood dowels (AA) and two cam locks (BB) in each.



### 8 Screwing the cam bolts

- Securely screw the cam bolts (CC) into the designated small holes on the bottom panel (C) at both sides. Fully tighten with a Phillips screwdriver.
- Securely screw the cam bolts (CC) into the designated small holes on bottom side supports (I and J).

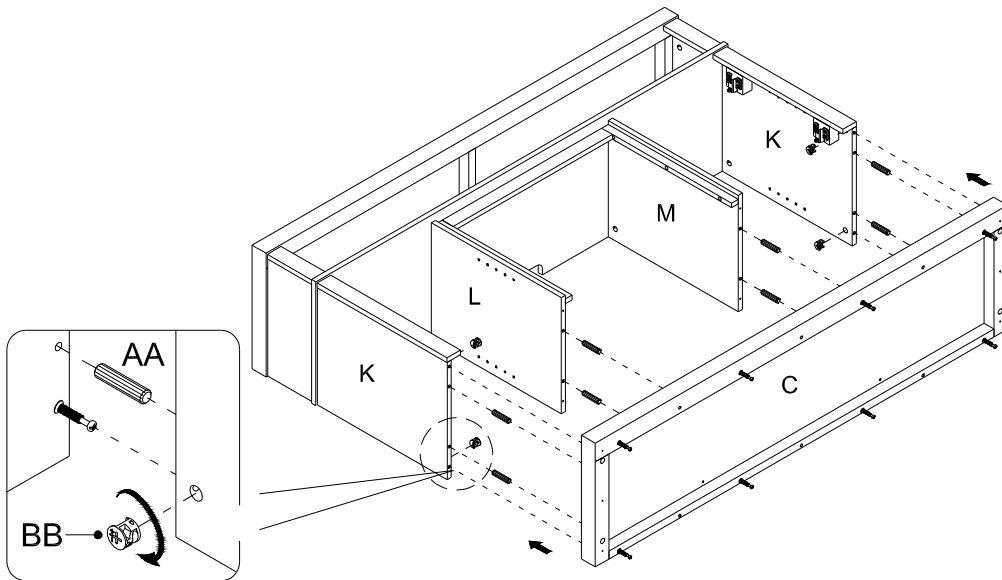




## Assembly (continued)

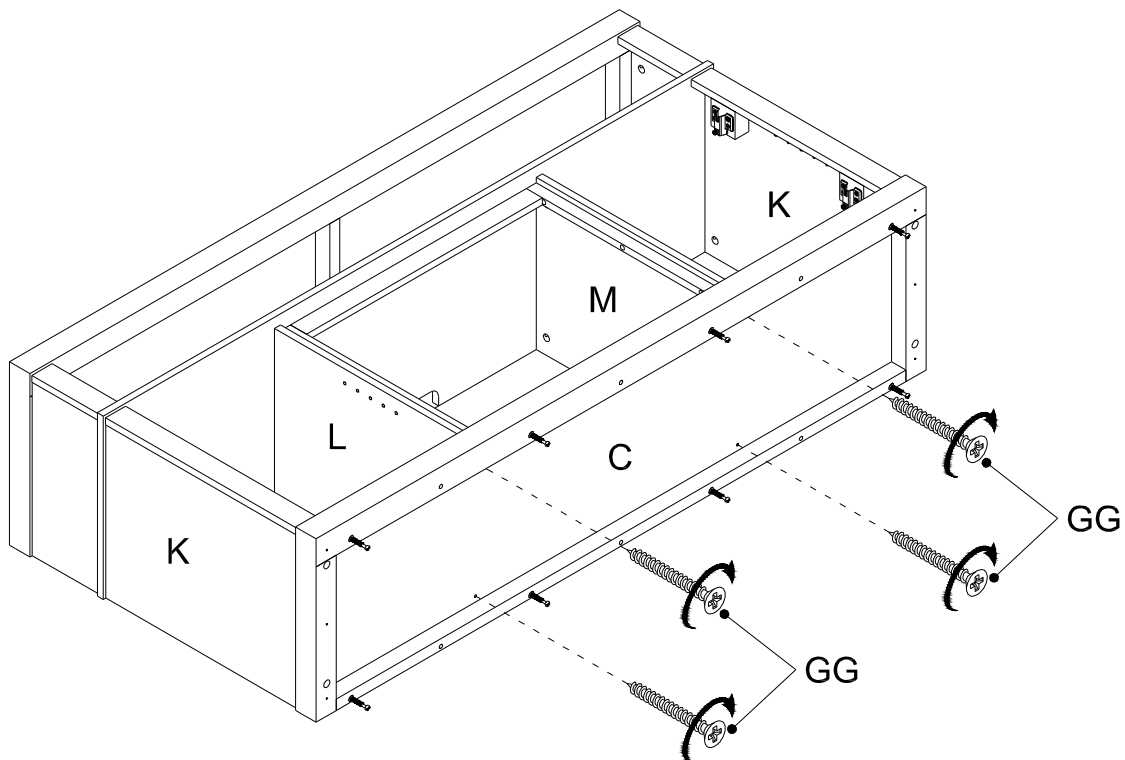
### 9 Installing the bottom panel

- Glue eight small wood dowels (AA) into the inner holes on the vertical panels (K, L and M). Position the bottom panel (C) onto the inserted small wood dowels (AA) and fasten it in place with four cam locks (BB).



### 10 Fasten the bottom panel

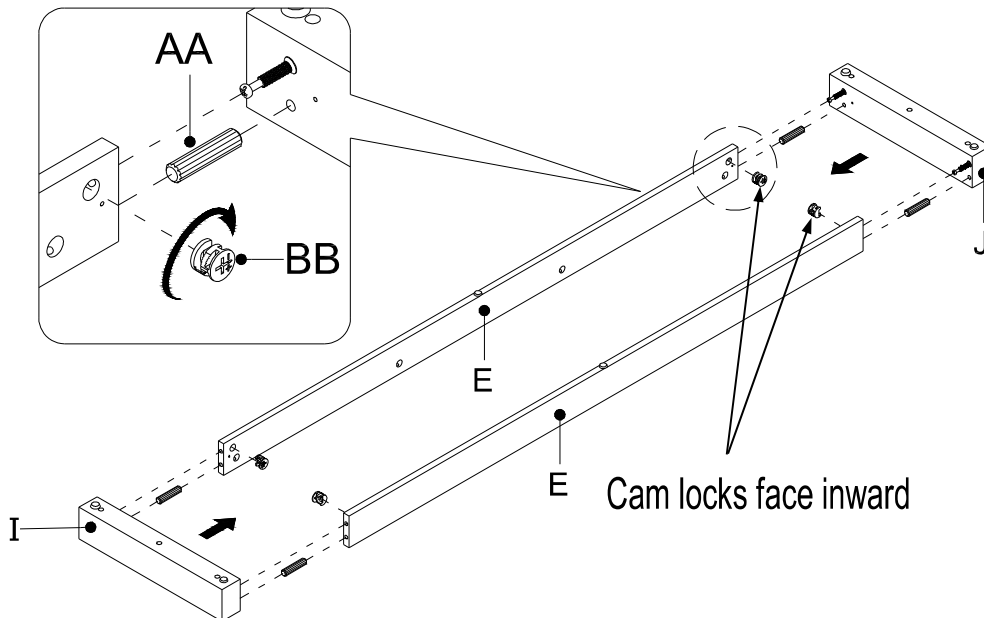
- Fasten the bottom panel (C) to the lower partition panels (L and M) using four Long wood screws (GG).



## Assembly (continued)

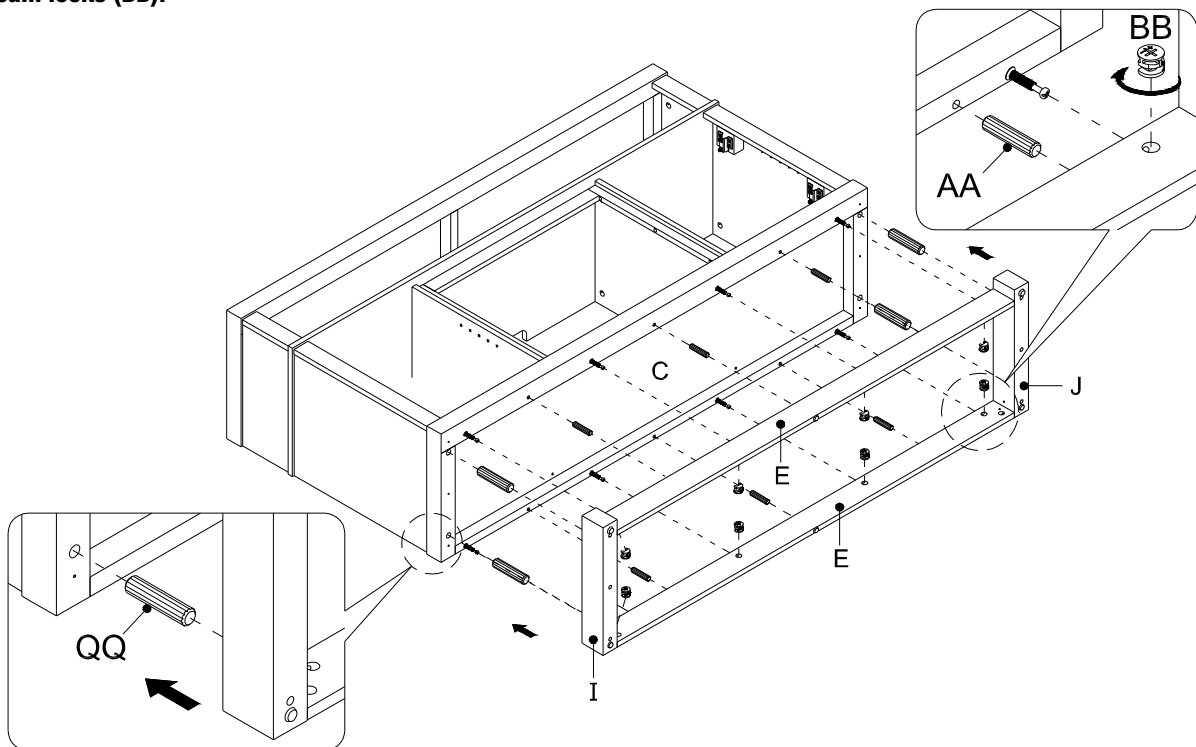
### 11 Combining the bottom supports

- Glue two small wood dowels (AA) to each bottom long support (E) at both ends.
- Combine the long supports (E) between the bottom side supports (I and J) with four cam locks (BB).



### 12 Attaching the assembled base

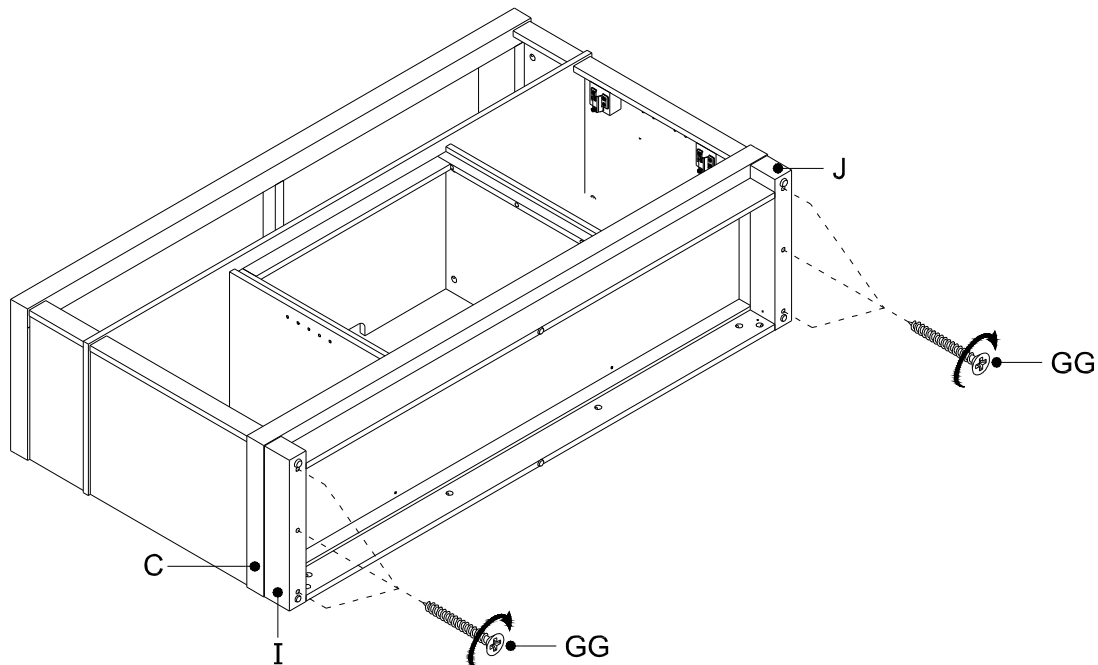
- Glue six small wood dowels (AA) and four large wood dowels (QQ) into the inner holes on bottom panel (C).
- Position the assembled base (E, I and J) onto the inserted wood dowels (AA and QQ) and fasten it in place with eight cam locks (BB).



## Assembly (continued)

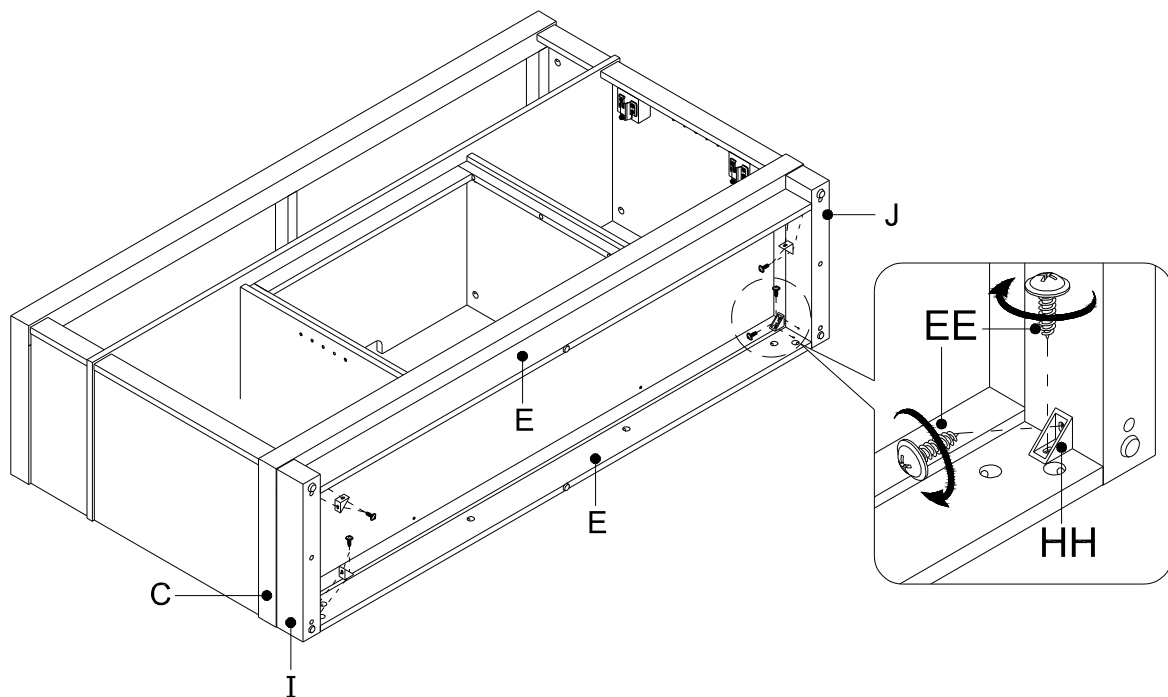
### 13 Fastening the bottom side supports

- Fasten the bottom side supports (I and J) to the bottom panel (C) using six long wood screws (GG).



### 14 Attaching the corner connectors

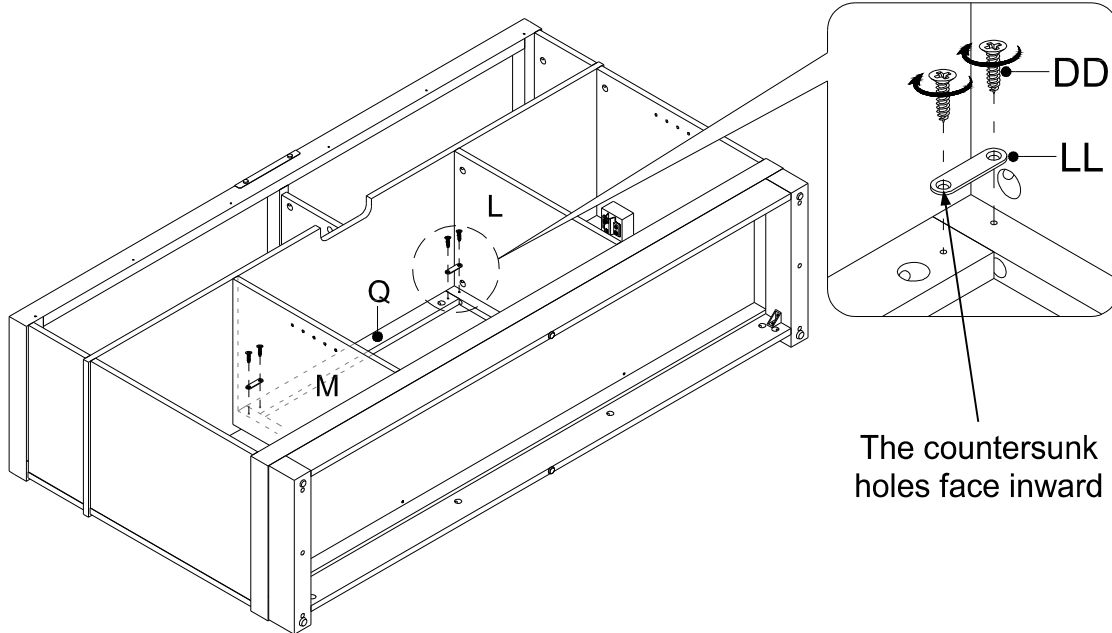
- With the pilot holes as a guide, fasten the bottom supports (E, I and J) in place by attaching four corner connectors (HH) at the joints, using two washer head screws (EE) per connector.



## Assembly (continued)

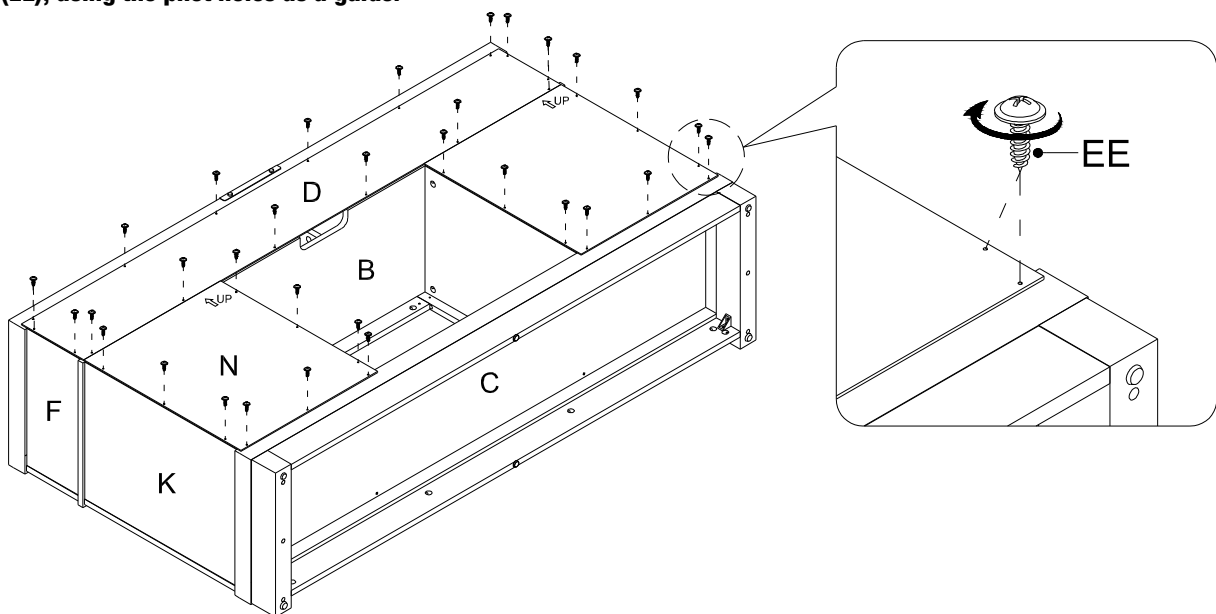
### 15 Attaching the metal plate

- Flip around the previous assembly at its front edge.
- Fasten the middle crossbar (Q) to the stiles of the lower partition panels (L and M) by attaching two brackets (LL) at the joints, using two short wood screws (DD) in each.



### 16 Attaching the back panels

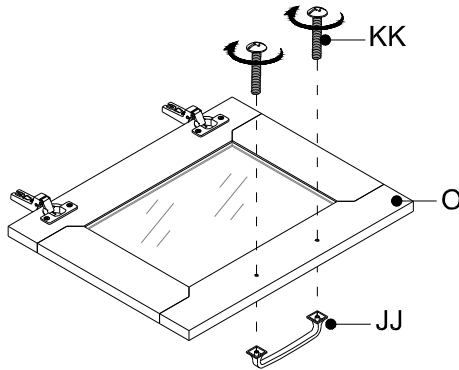
- Pick up the upper back panel (D) and align the drilled holes against the upper long edge with the pilot holes on the back stretcher of the top panel (A). Attach the upper back panel (D) in place using the provided washer head screws (EE).
- Align and attach two lower back panels (N) to the lower panels (K, L and M) with the provided washer head screws (EE), using the pilot holes as a guide.



## Assembly (continued)

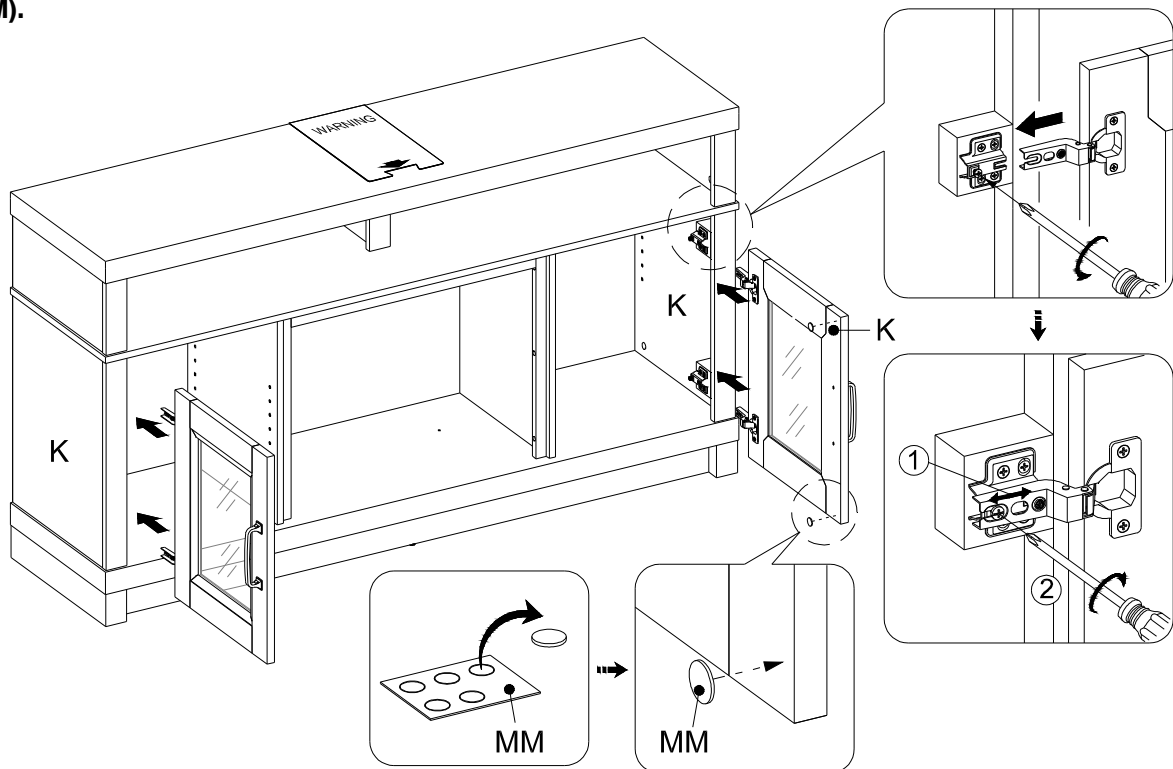
# 17 Installing the handle

- Attach one handle (JJ) to the front side of each door (O) with two provided handle bolts (KK).



# 18 Attaching the doors and bumpers

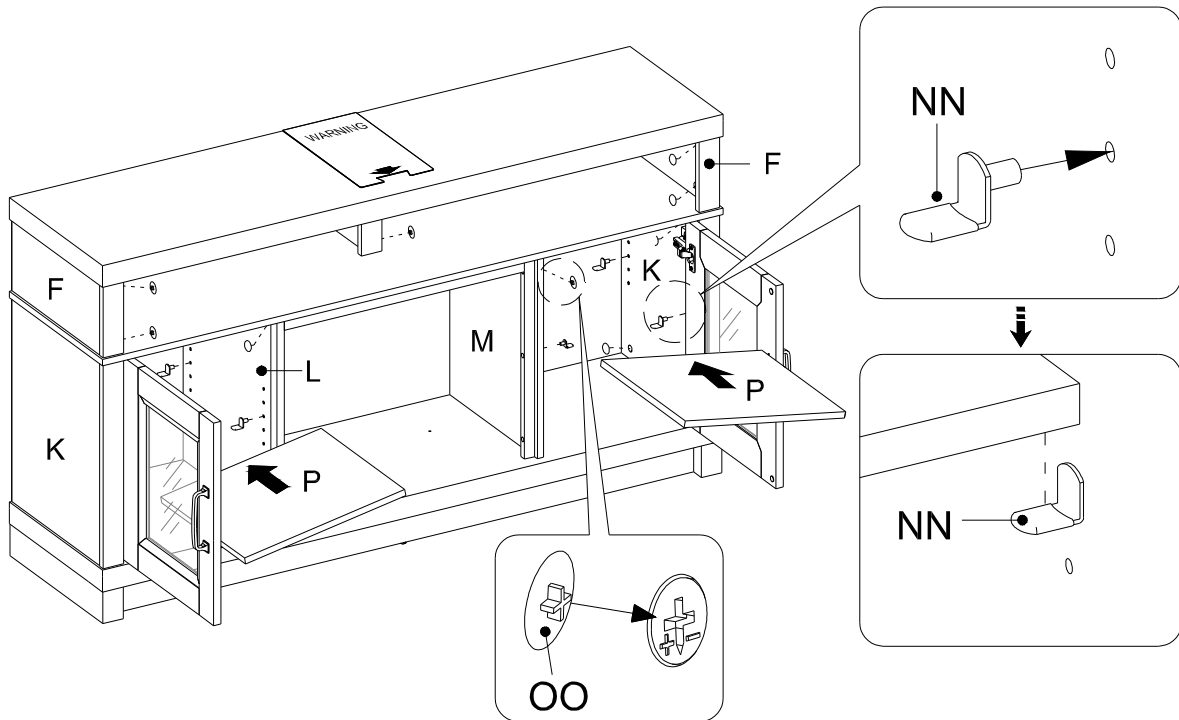
- Stand the assembled unit upright.
- Pick up one door (O) and attach the extended hinge arms to the mounting plates installed on one lower side panel (K). Loosen the bolt on the back of mounting plates for a comfortable fit. Align and insert the “U” slot on hinge arm under the bolt head on the mounting plate. Make sure that both door hinges engage and function properly. Tighten the bolts on the mounting plates to lock the hinges in place.
- Repeat the same procedure to install the other door (O) to the other lower side panel (K).
- Open and close the doors to make sure they are aligned and shut correctly. If necessary, adjust the screws for a good fit (see the door hinge stickers on the door).
- Stick the bumper (MM) onto the front corners of the doors (O) where they come in with the lower partition panels (L and M).



## Assembly (continued)

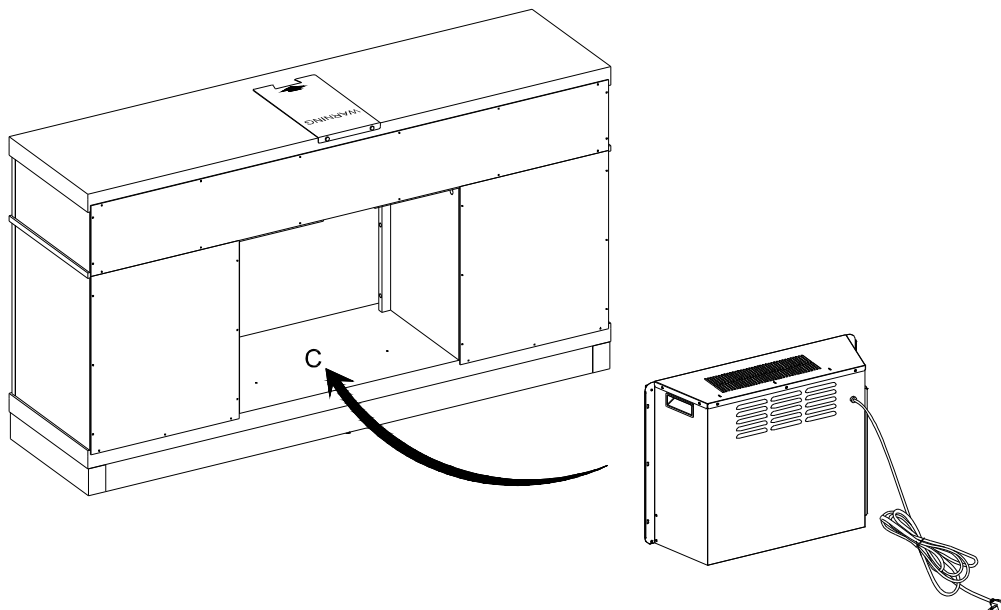
### 19 Installing the adjustable shelves

- Insert four shelf pins (NN) into the desired holes inside each side compartment. Tilt and rest the adjustable shelves (P) onto the shelf pins (NN).
- Plug the cam lock covers (OO) onto the visible cam locks to conceal the cams.



### 20 Installing the fireplace insert

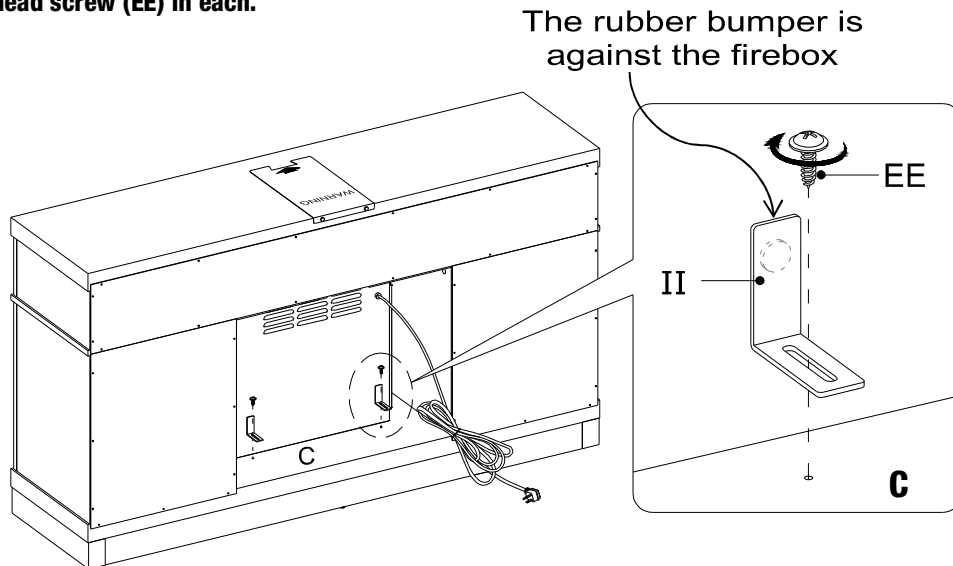
- Lift the fireplace insert carefully into the back of the assembled mantel and center it in the opening. **DO NOT** drag the insert across the bottom panel (C) as it may scratch the unit.



## Assembly (continued)

### 21 Attaching the L-shaped metal braces

- Using the pilot holes as a guide, align and attach two L-shaped metal braces (II) to the bottom panel (C) by screwing one washer head screw (EE) in each.

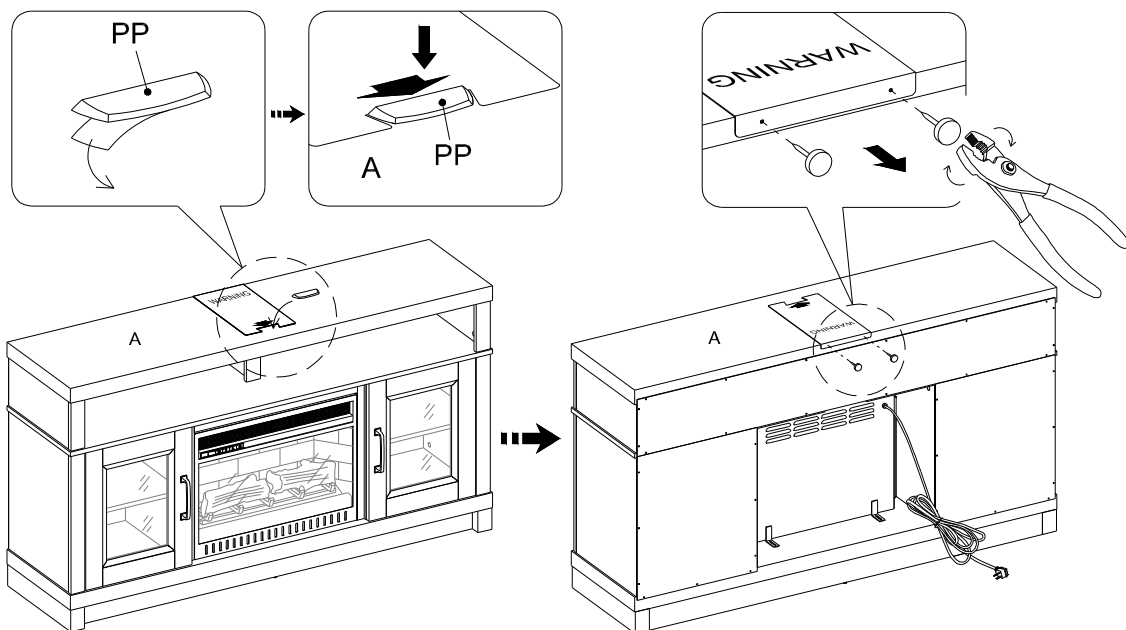


### 22 Installing the acrylic stopper

- Remove the paper baking form the acrylic stopper (PP), then properly align the acrylic stopper into the cut-out on the acrylic stopper template on the front of the top panel (A). Press down on the acrylic stopper to help adhesion.
- At the back of the top panel (A), carefully grip the head of plastic tack with pliers and, with a gentle twisting motion, pull the tack loose out to remove the acrylic stopper template.



NOTE: You must install the acrylic stopper to prevent the TV from tipping when placing your flat panel television on the top panel.



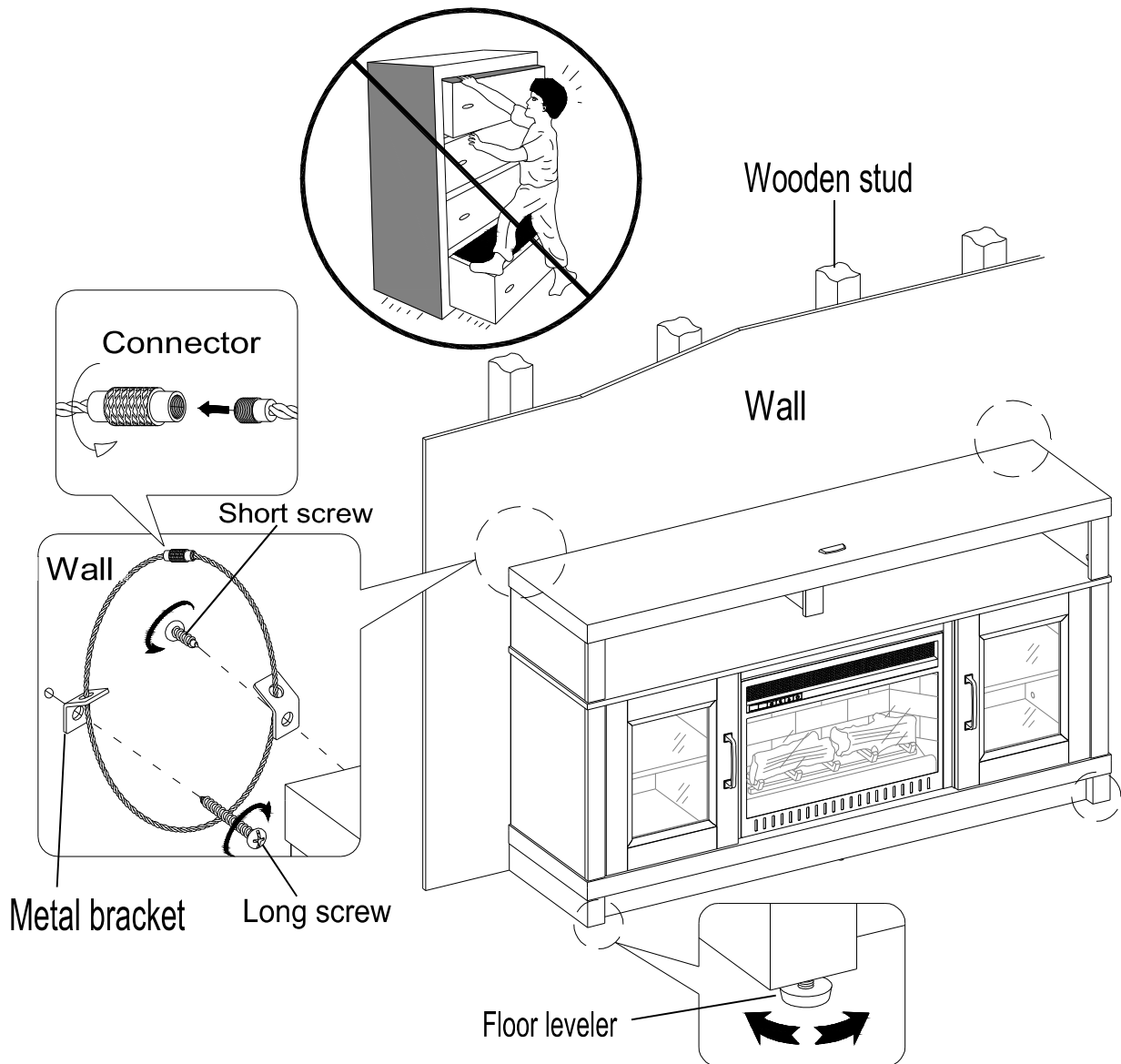
## Assembly (continued)

# 23 Installing the tipping restraint hardware



**WARNING:** Young children can be seriously injured by tipping furniture. You must install the tipping restraint hardware with the unit to prevent the unit from tipping, causing any accidents or damage. The tipping restraints are intended only as a deterrent, they are not a substitute for proper adult supervision. The tipping restraints are not earthquake restraints. If you wish to add the extra security of earthquake restraints, they must be purchased and installed separately.

- With assistance, position the assembled fireplace at the desired location against a wall. In case of uneven floor, floor levelers are provided at the bottom of the mantel. If necessary, adjust the floor levelers by hand to correct tilting and/or level the doors, until the unit is level.
- Follow the instructions printed on the plastic bag containing the tipping hardware to attach the tip-over restraint to the unit and the wall.
- Connect the fireplace to the power transformer. Follow the operating manual for the electric fireplace insert to control your fireplace.





## Care and Maintenance

A touch-up pen (not included for white finish) has been provided to minimize the small nicks or scratches that may occur during assembly or shipping.

To clean and care for your furniture:

- Use a soft, clean cloth that will not scratch the surface when dusting.
- Use of furniture polishes is not necessary. Should you choose to use polishes, test first in an inconspicuous area.
- Using solvents of any kind on your furniture may damage the finish.
- Never use water to clean your furniture as it may cause damage to the finish.
- Always use coasters under beverage glasses and flowerpots.
- Liquid spills should be removed immediately. Using a soft clean cloth, blot the spill gently. Avoid rubbing.
- Always use protective pads under hot dishes and plates. Heat can cause chemical changes that may create spotting within the furniture finish.
- In the event that your furniture is stained or otherwise damaged during use, we recommend that you call a professional to repair your furniture.
- Check bolts/screws periodically and tighten them if necessary.

### CARING FOR WOOD FURNITURE

It is best to keep your furniture in a climate-controlled environment. Extreme temperature and humidity changes can cause fading, warping, shrinking and splitting of wood. It is advised to keep furniture away from direct sunlight as sun may damage the finish.

Proper care and cleaning at home will extend the life of your purchase. Following these important and helpful tips will enhance your furniture as it ages.

### CLEANING THE FIREPLACE TRIM

Clean the metal trim using a soft cloth, slightly dampened with citrus oil based product and buff with a clean soft cloth. **DO NOT** use brass polish or household cleaners as these products will damage the metal trim. Citrus oil based products can be obtained at supermarkets or hardware stores.

# HOME DECORATORS COLLECTION

**Questions, problems, missing parts? Before returning to the store,  
call Home Decorators Collection Customer Service  
8 a.m. - 7 p.m., EST, Monday-Friday  
9 a.m. - 6 p.m., EST, Saturday**

**1-800-986-3460**

**[HOMEDEPOT.COM/HOMEDECORATORS](http://HOMEDEPOT.COM/HOMEDECORATORS)**

**Retain this manual for future use.**