

Assembly

Before you begin:



NEVER point the spray gun at any part of the body.

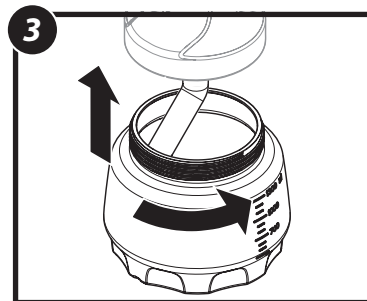
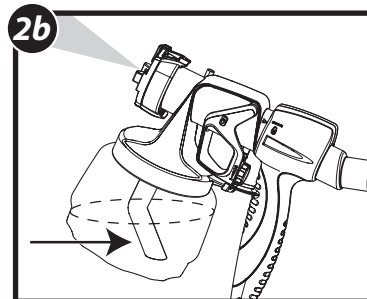
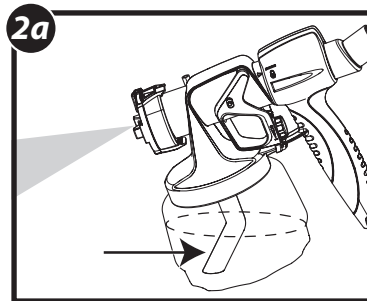
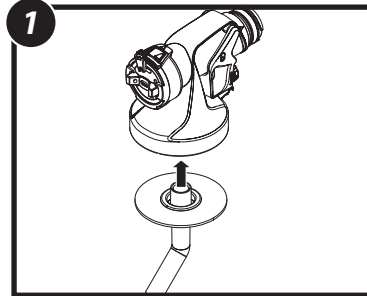
To Assemble:

IMPORTANT: Make sure the power cord is unplugged.

1. Insert the suction tube into the intake opening.
2. **Align the suction tube -**
 - a. If you are going to be spraying in a downward direction, the angled end of the suction tube should be pointing toward the front of the gun.
 - b. If you are going to be spraying in an upward direction, the angled end of the suction tube should be pointing toward the rear of the gun.

Note: Make sure the suction tube is inserted as far as it will go to ensure a tight fit.

3. Carefully screw the cup back onto the nozzle assembly. Tighten firmly.



Assembly (continued)

4. Align the arrow on the spray gun with the "unlock" symbol on the spray gun handle.
5. Insert and twist the spray gun into the handle toward the "lock" symbol on the spray gun handle.
The tab below the trigger will lock the two pieces into place.
6. Insert the air hose tightly into the connection on the spray handle. The connection can be positioned as desired.
7. Insert the air hose tightly into the connection into the turbine. The connections can be positioned as desired.

IMPORTANT: If the unit has already been used, make sure the nozzle seal is in place (see pages 13-14).

