



Model # 102100-9-01; 102100-53-01;
102101-9-01; 102101-53-01;
102102-9-01; 102103-9-01

USE AND CARE GUIDE

SADDLE BOX

Questions, problems, missing parts?

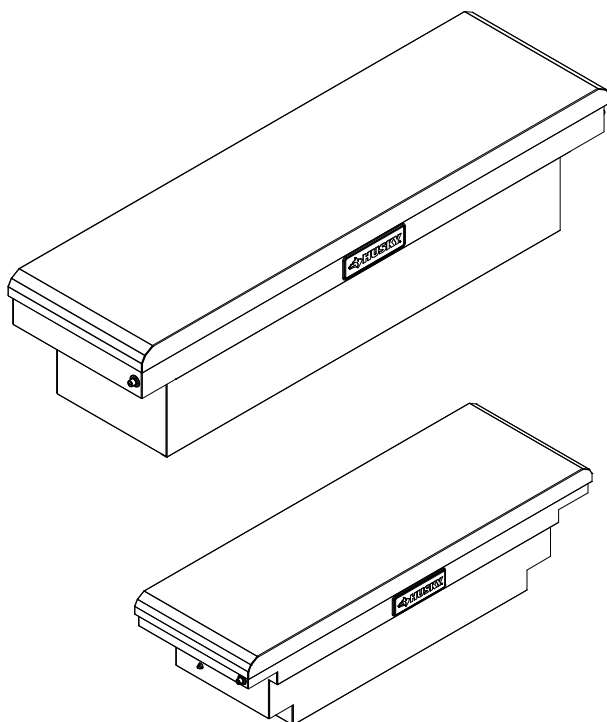
Before returning to the store, call
Husky® Customer Service

8 a.m. - 7 p.m., EST, Monday - Friday

9 a.m. - 6 p.m., EST, Saturday

1-888-523-3370

HUSKYTOOLS.COM



THANK YOU

We appreciate the trust and confidence you have placed in Husky® through the purchase of this Husky® Saddle Truck Box. We strive to continually create quality products designed to enhance your home. Visit us online to see our full line of products available for your home improvement needs. Thank you for choosing Husky®!

Table of Contents

Table of Contents	2
Safety Information	2
Warranty.....	3
What is covered	3
What is not covered	3

Pre-Installation	4
Planning Installation	4
Hardware Included.....	4
Package Contents	5
Installation	6
Service Parts.....	7

Safety Information

The points listed below will assist you in using this product and will encourage safety. Please review the instructions and warranty carefully. Assembly and installation are the user's responsibility and beyond the manufacturer's control. Damage to your vehicle, cargo, or to any person or property is excluded.

1. Consult your vehicle's owner's manual or manufacturer for capacity ratings.
2. Knobs, bolts, screws, straps, and locks must be periodically retightened and inspected for signs of wear, corrosion, and fatigue.
3. Consult with a Home Depot sales associate with questions regarding the operation and limits of this product.
4. Review all instructions and warranty information carefully. Failure to follow these guidelines or the product's instructions will void the warranty.



CAUTION: Do not use this product or accessories for purposes other than those for which they were designed.



CAUTION: For safety to vehicles and products, obey all posted speed limits and traffic cautions. Adapt speed to road conditions.



CAUTION: Make sure all knobs, bolts, screws, straps, and locks are firmly attached, tightened and locked before every trip.



CAUTION: If mounting an electrical system or lighting to this product, ensure it is properly grounded to the frame of the vehicle.



CAUTION: For quality fit and safety, use only the recommended parts or accessories as listed in these instructions. Do not assume a product will fit a vehicle; always measure and confirm first when obtaining a new vehicle.

LIMITED 3 YEAR WARRANTY

WHAT IS COVERED

This product carries a three year warranty to the original purchaser, only. This product will be free from defects in material and workmanship from the date of purchase and continuing the expected lifetime of this product. If the product is found to be defective in materials or workmanship, please call 1-888-523-3370, or return the item to the place of purchase with a copy of the original sales receipt. The seller will, at its option, replace the product. The remedy available for this Warranty shall be limited to the cost of replacing the product, and not for any other incidental, indirect, or consequential damages. Any modification or unintended use of this product shall immediately void all manufacturer's warranties. Manufacturer disclaims all liability for injuries to persons or property resulting from any modification to, or unintended use of these products.

WHAT IS NOT COVERED

- Defects caused by normal wear and tear, cosmetic rust, scratches, accidents, unlawful vehicle operation, or modification to the product, or any types or repair of a Husky® Product other than those authorized or provided by the Manufacturer.
- Defects resulting from conditions beyond the Manufacturer's control including, but not limited to misuse, overloading, or failure to assemble, mount or use the Husky® Product in accordance with the Manufacturer's written instructions or guide lines included with the Husky® Product or made available to the original purchaser.
- Damage to the contents of the box or vehicle.

This warranty gives you specific legal rights, and you may have other rights that vary from state to state.

Contact the Customer Service Team at 1-888-523-3370 or visit www.HUSKYTOOLS.com.

Pre-Installation

PLANNING INSTALLATION

Estimated assembly time: Approximately 30 minutes



NOTE: If your pick-up is fitted with a plastic drop-in bed liner, it may need to be drilled, trimmed, or cut for proper installation of truck storage product.

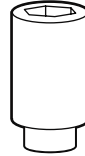
TOOLS REQUIRED



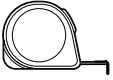
Ratchet Wrench



Socket Wrench Extension



1/2 in. Deep Well Socket



Tape Measure



Safety Goggles

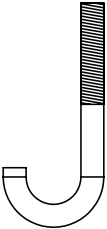


Gloves

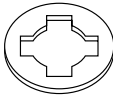
HARDWARE INCLUDED



NOTE: Hardware not shown to actual size.



AA



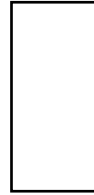
BB



CC



DD

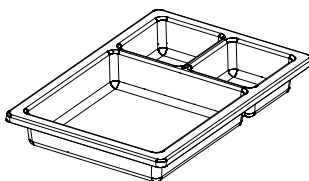
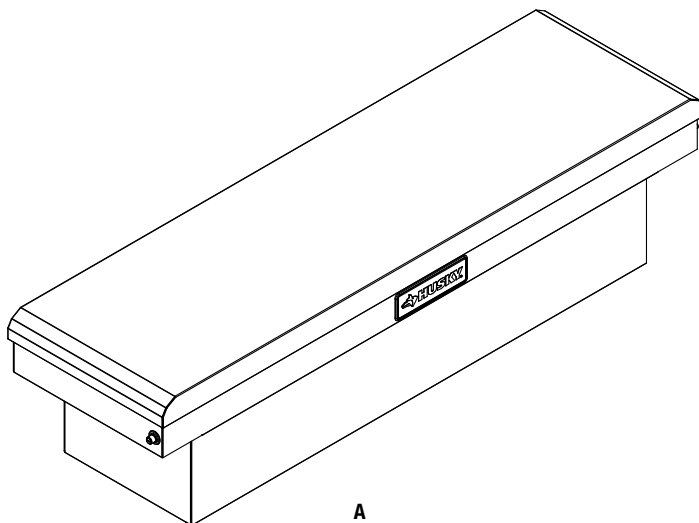


EE

Part	Description	Quantity
AA	J-Bolts	4
BB	Plastic Retaining Washers	4
CC	Fender Washers	4
DD	Nylon Lock Nuts	4
EE	Vinyl Tape Strips	4

Pre-Installation (continued)

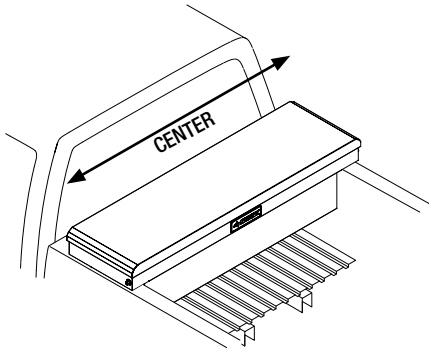
PACKAGE CONTENTS



Part	Description	Quantity
A	Truck Box	1
B	Keys	2
C	Storage Tray	1

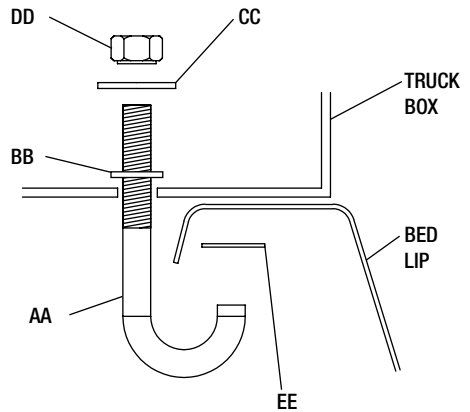
1 Locate in Truck Bed

- With the truck on a level surface, place the truck box into position on the truck bed.
- Use a tape measure to center the box the across truck bed.
- Make sure the cover opens fully, without interference.



2 Attach Box to Truck Bed

- Use J-Bolts (AA), washers (BB and CC), and a nut (DD) as shown in figure below.
- Place the J-Bolts (AA) up from the bottom, through the mounting slots in the sides of the truck box and around the bed lip.
- If your truck bed is constructed of aluminum, place vinyl tape strips (EE) between the end of each J-Bolt (AA) and the bed rail before tightening with a wrench.



Service Parts

The manufacturer provides several replacement service parts for purchase. Please call 1-888-523-3370 to place an order.

Part	Description	Quantity
70535	Gas Springs	2
70576-36	Push Button Lock - RH36	1
70576-37	Push Button Lock - RH37	1
70576-38	Push Button Lock - RH38	1
70576-39	Push Button Lock - RH39	1
70576-40	Push Button Lock - RH40	1
70576-41	Push Button Lock - RH41	1
70576-42	Push Button Lock - RH42	1
70576-43	Push Button Lock - RH43	1
70576-44	Push Button Lock - RH44	1

Part	Description	Quantity
70576-45	Push Button Lock - RH45	1
70576-46	Push Button Lock - RH46	1
70576-47	Push Button Lock - RH47	1
70576-48	Push Button Lock - RH48	1
70576-49	Push Button Lock - RH49	1
70576-50	Push Button Lock - RH50	1
70578	Weather Stripping	1
70589	Storage Tray	1
70590	Bolt Kit	1



Questions, problems, missing parts? Before returning to the store,
call Husky® Customer Service
8 a.m. - 7 p.m., EST, Monday-Friday, 9 a.m. - 6 p.m., EST, Saturday

1-888-523-3370

HUSKYTOOLS.COM

Retain this manual for future use.