

ITEM # WDTB INSTRUCTION MANUAL

READ ALL INSTRUCTIONS AND WARNINGS BEFORE USING THIS PRODUCT.

This manual provides important information on proper operation & maintenance. Every effort has been made to ensure the accuracy of this manual. These instructions are not meant to cover every possible condition and situation that may occur. We reserve the right to change this product at any time without prior notice.

IF THERE IS ANY QUESTION ABOUT A CONDITION BEING SAFE OR UNSAFE, DO NOT OPERATE THIS PRODUCT!

HAVE QUESTIONS OR PROBLEMS? CONTACT CUSTOMER SERVICE

If you experience a problem, have questions or need parts for this product, call Customer Service at 1-636-532-9888, Monday-Friday, 8 AM - 4 PM Central Time. A copy of the sales receipt is required.

FOR CONSUMER USE ONLY – NOT FOR PROFESSIONAL USE. KEEP THIS MANUAL, SALES RECEIPT & APPLICABLE WARRANTY FOR FUTURE REFERENCE.

Vertical Post – Angle Bracket Assembly

Attach the two Angle Brackets (14) to the Vertical Posts (19) using one Washer (12), M8 Nut (11) and M8x45 Bolt (13) per Post-Bracket assembly. Refer to Figure A.

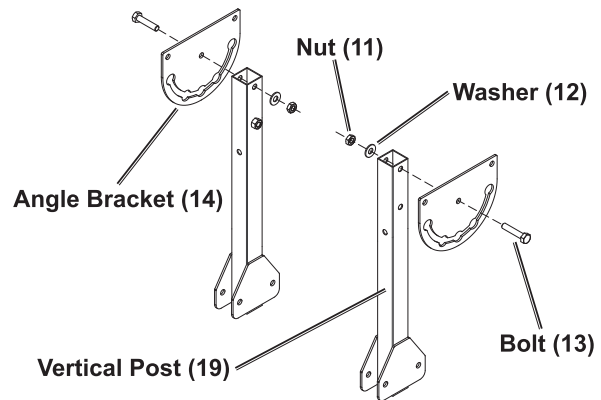


Figure A

Support Leg Assembly

Attach the two Vertical Post-Angle Bracket assemblies from the previous step to the two Support Legs (21, 25) using eight Washers (12), four M8 Nuts (11), and four M8x50 Bolts (20). Refer to Figure B.

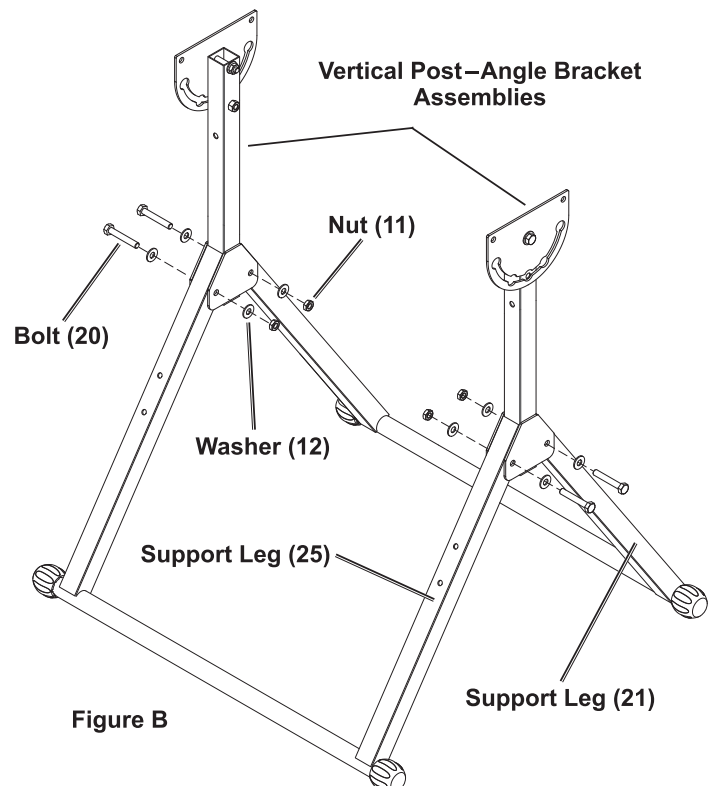


Figure B

Specifications

Table Surface	30" x 19-7/8"
Table Height	32-7/8"
Max Weight Capacity	330 lb

Tool Hanger – Support Brace – Angle Handle Assembly

1. Attach the Tool Hanger (23) to the Support Leg (25) which has four threaded holes using four M5x10 Bolts (24). Refer to Figure C.
2. Attach the Support Brace (18) to the Vertical Posts using two Washers (12), M8 Nuts (11) and M8x60 Bolts (17). Refer to Figure C.
3. Insert a M8x55 Bolt (16) through the back of each of the two Angle Adjustment Handles (27). Slide a Washer (15) over each Bolt with the cupped side of the Washer against the Handle. Insert the Bolts through the Angle Brackets and thread into the nut welded to the Vertical Post. Refer to Figure C.

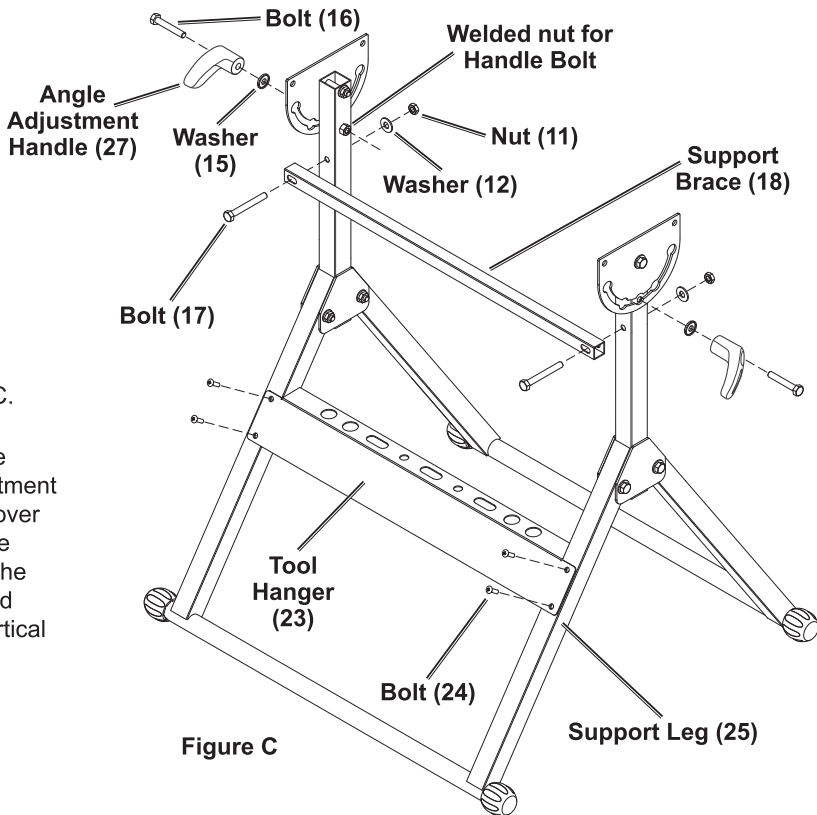


Figure C

Table Top Bracket Assembly

Attach the two Table Top Brackets (9) to the bottom of the Table Top (1) using four Large Washers (6), Washers (7), M5 Nuts (8) and M5x16 Bolts (5). Note that the Large Washers (6) are placed between the Table Top and the Table Top Brackets. Refer to Figure D.

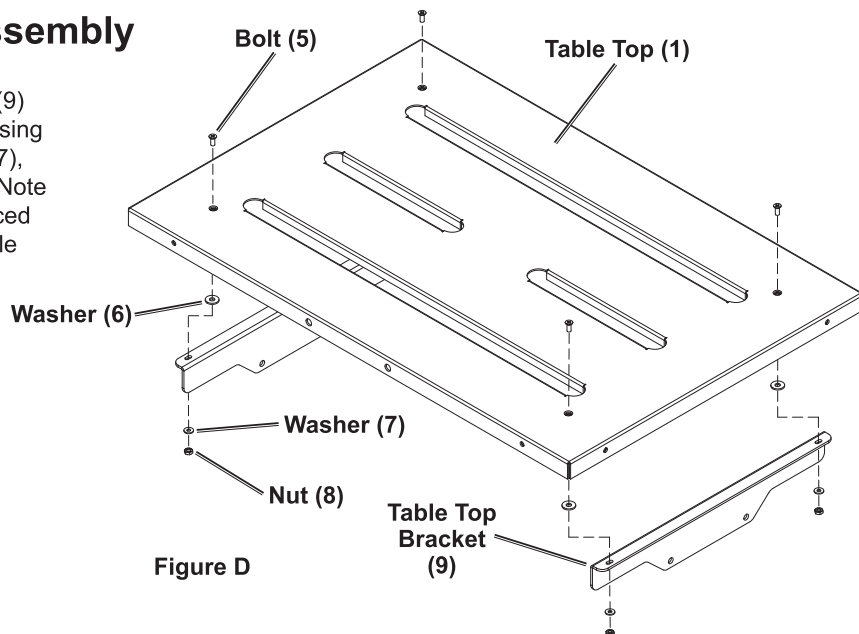
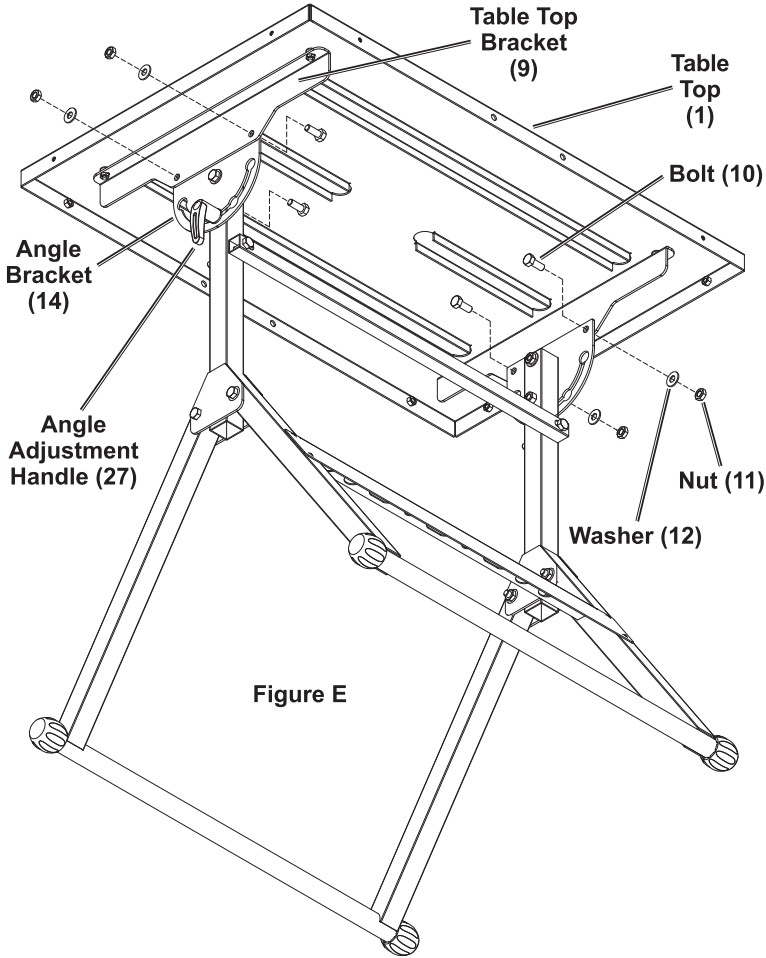


Figure D

Attaching the Table Top

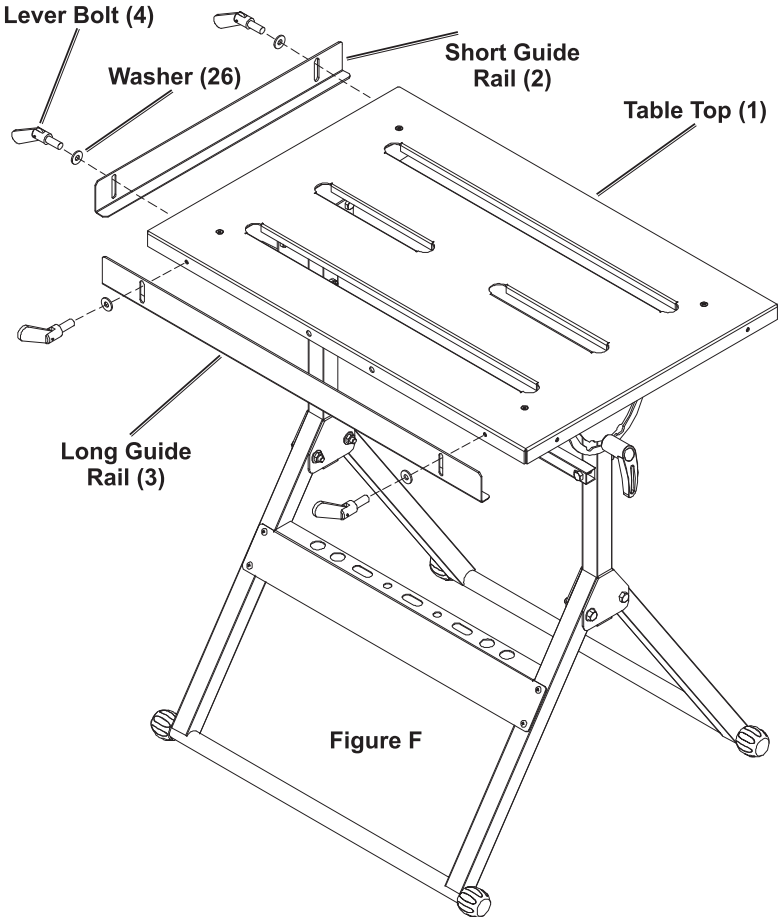
The two Angle Brackets each have five positive stop positions which allow the Table Top, once attached, to be positioned at five different angles. Prior to attaching the Table Top, ensure that the Brackets are set in the middle position and that the Angle Adjustment Handles are tightened securely. Refer to Figure E.

1. With assistance, lift the Table Top and place in position over the upright table stand.
2. Insert four M8x16 Bolts (10) through the Angle Brackets and Table Top Brackets and secure in place using four Washers (12) and M8 Nuts (11). Tighten all hardware. Refer to Figure E.

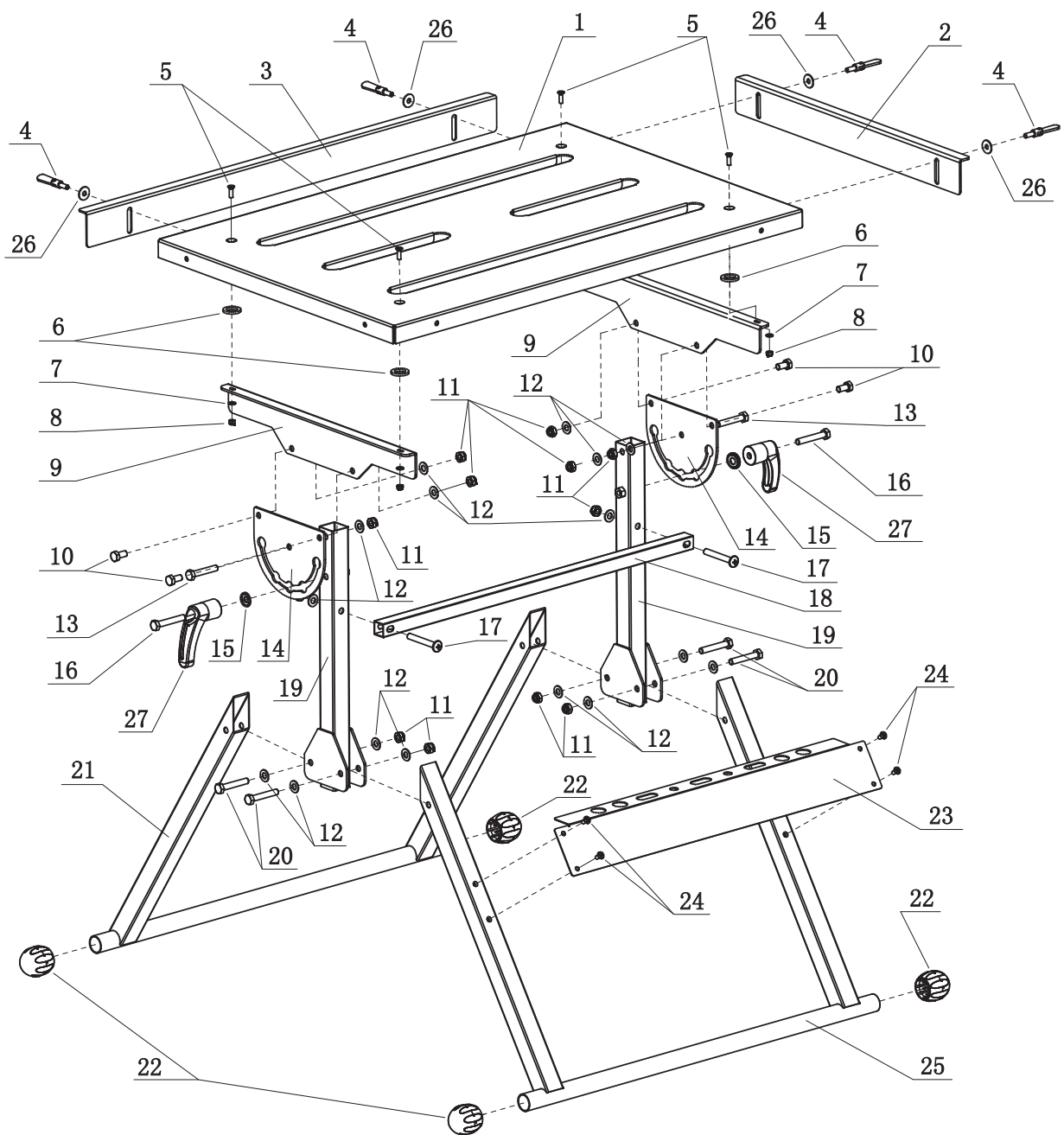


Installing the Guide Rails

1. Place four Washers (26) on the shafts of the four Lever Bolts (4).
2. Attach the Short Guide Rail (2) and the Long Guide Rail (3) in the desired position on the Table Top using the four Lever Bolts and Washers. Refer to Figure F.



Parts List and Diagram



Parts List

Part	Description	Qty	Part	Description	Qty
1	Table Top	1	15	Handle Washer Ø 8.5 mm assembled with part 14 and 27	2
2	Short Guide Rail	1	16	Bolt M8x55	2
3	Long Guide Rail	1	17	Bolt M8x60	2
4	Lever Bolt M6x15	4	18	Support Brace	1
5	Bolt M5x16 assembled with part 6 and 7	4	19	Vertical Post	2
6	Large Washer Ø 16 mm assembled with part 5 and 7	4	20	Bolt M8x50	4
7	Washer Ø5.0mm assembled with part 5 and 6	4	21	Support Leg (without threaded holes)	1
8	Nut M5	4	22	Foot	4
9	Table Top Bracket	2	23	Tool Hanger	1
10	Bolt M8x16	4	24	Bolt M5x10	4
11	Nut M8	12	25	Support Leg (with threaded holes)	1
12	Washer Ø8.0mm	16	26	Washer Ø6.5x1.2mm	4
13	Bolt M8x45	2	27	Angle Adjustment Handle assembled with part 14 and 15	2
14	Angle Bracket assembled with part 15 and 27	2			