



Operating Instructions and Parts Manual

8-inch Variable Speed Buffing Machine

Model IBG-8VSB



JET
427 New Sanford Road
LaVergne, Tennessee 37086
Ph.: 800-274-6848
www.jettools.com

Part No. M-578218
Edition 2 04/2017
Copyright © 2017 JET




1.0 IMPORTANT SAFETY INSTRUCTIONS


WARNING – To reduce risk of injury:

1. Read and understand the entire owner's manual before attempting assembly or operation.
2. Read and understand the warnings posted on the machine and in this manual. Failure to comply with all of these warnings may cause serious injury.
3. Replace warning labels if they become obscured or removed.
4. This buffer is designed and intended for use by properly trained and experienced personnel only. If you are not familiar with the proper and safe operation of a buffer, do not use until proper training and knowledge have been obtained.
5. Do not use this buffer for other than its intended use. If used for other purposes, JET disclaims any real or implied warranty and holds itself harmless from any injury that may result from that use.
6. Always wear protective eye wear when operating machinery. Eye wear shall be impact resistant, protective safety glasses with side shields which comply with ANSI Z87.1 specifications. Use of eye wear which does not comply with ANSI Z87.1 specifications could result in severe injury from breakage of eye protection. (Everyday eyeglasses only have impact resistant lenses; they are NOT safety glasses.)
7. Wear proper respiratory protection.
8. Wear proper apparel. Do not wear loose clothing, neckties, rings, bracelets, or other jewelry which may get caught in moving parts. Non-slip footwear is recommended. Wear protective hair covering to contain long hair.
9. Wear protective clothing such as apron or safety shoes, where the work activity presents a hazard to the operator.
10. Wear ear protectors (plugs or muffs) if the particular work requires it.
11. CALIFORNIA PROPOSITION 65 WARNING: This product contains chemicals known to the State of California to cause cancer, or birth defects or other reproductive harm.
12. This product, when used for welding, cutting, or working with metal, produces fumes, gases, or dusts which contain chemicals known to the State of California to cause birth defects and, in some cases, cancer. (California Health and Safety Code Section 25249.5 et seq.)
13. Do not operate this machine while tired or under the influence of drugs, alcohol or any medication.
14. Make certain the switch is in the OFF position before connecting the machine to the power supply.
15. Make certain the machine is properly grounded.
16. Make all machine adjustments or maintenance with the machine unplugged from the power source.
17. Remove adjusting keys and wrenches. Form a habit of checking to see that keys and adjusting wrenches are removed from the machine before turning it on.
18. Keep safety guards in place at all times when the machine is in use. If removed for maintenance purposes, use extreme caution and replace the guards immediately after completion of maintenance.
19. Check damaged parts. Before further use of the machine, a guard or other part that is damaged should be carefully checked to determine that it will operate properly and perform its intended function. Check for alignment of moving parts, binding of moving parts, breakage of parts, mounting and any other conditions that may affect its operation. A guard or other part that is damaged should be properly repaired or replaced.
20. Provide for adequate space surrounding work area and non-glare, overhead lighting.
21. Keep the floor around the machine clean and free of scrap material, oil and grease.
22. Keep visitors a safe distance from the work area. Keep children away.
23. Make your workshop child proof with padlocks, master switches or by removing starter keys.
24. Give your work undivided attention. Looking around, carrying on a conversation and "horse-play" are careless acts that can result in serious injury.
25. Keep proper footing and balance at all times so that you do not fall into or lean against the buffing wheel or other moving parts. Do not overreach or use excessive force to perform any machine operation.
26. Disconnect buffer from power source before servicing and when changing wheels.
27. Use recommended accessories. The use of improper accessories may cause risk of injury to persons.
28. Turn off the machine before cleaning. Use a brush to remove chips or debris — do not use bare hands.
29. Never leave the buffer running unattended. Turn power off and do not leave machine until wheels come to a complete stop.
30. Remove loose items and unnecessary work pieces from the area before starting the buffer.

31. Don't use in dangerous environment. Don't use power tools in damp or wet location, or expose them to rain. Don't use this buffer in a flammable environment. Keep work area well lighted.
32. Keep work area clean. Cluttered areas and benches invite accidents.
33. Use the right tool. Don't force tool or attachment to do a job for which it was not designed.
34. Use proper extension cord. Make sure your extension cord is in good condition. When using an extension cord, be sure to use one heavy enough to carry the current your product will draw. An undersized cord will cause a drop in line voltage resulting in loss of power and overheating. Table 1 (see sect. 7.2) shows the correct size to use depending on cord length and nameplate ampere rating. If in doubt, use the next heavier gage. The smaller the gage number, the heavier the cord.
35. Maintain tools with care. Keep tools sharp and clean for best and safest performance. Follow instructions for lubricating and changing accessories.
36. Only apply workpiece to lower half of buffing wheel.
37. Do not overtighten wheel nut.
38. Use buffing wheel suitable for speed of machine.
39. Do not crowd the work so that the wheels slow.
40. Use only the flanges that are furnished with the buffer.
41. Do not start the buffer while a workpiece is contacting a buffing wheel.

Familiarize yourself with the following safety notices used in this manual:

 This means that if precautions are not heeded, it may result in minor injury and/or possible machine damage.

 This means that if precautions are not heeded, it may result in serious, or possibly even fatal, injury.

2.0 Table of contents

Section	Page
1.0 IMPORTANT SAFETY INSTRUCTIONS	2
2.0 Table of contents.....	4
3.0 About this manual	5
4.0 Mounting hole dimensions	5
5.0 Specifications	6
6.0 Setup and assembly.....	7
6.1 Unpacking	7
6.2 Carton contents	7
6.3 Tools required for assembly	7
6.4 Securing the buffer	7
6.5 Buffing wheels	7
7.0 Electrical connections	7
7.1 Grounding instructions	7
7.2 Extension cords.....	8
7.3 Voltage conversion.....	8
8.0 Operation	8
8.1 General procedure	9
8.2 Operating controls.....	9
9.0 User-maintenance.....	9
9.1 Changing Wheels.....	9
9.2 Wheel balancing.....	9
9.3 Buffer maintenance	10
9.4 Additional servicing	10
10.0 Troubleshooting IBG-8VSB Buffer	11
10.1 General electrical and mechanical problems	11
10.2 Digital readout error codes	12
11.0 Optional accessories.....	13
12.0 Replacement Parts.....	13
12.1.1 IBG-8VSB Buffer – Exploded View	14
12.1.2 IBG-8VSB Buffer – Parts List	15
12.2.1 IBG-Stand Assembly (OPTIONAL) – Exploded View.....	16
12.2.2 IBG-Stand Assembly (OPTIONAL) – Parts List	16
12.3.1 DBG-Stand Assembly (OPTIONAL) – Exploded View	17
12.3.2 DBG-Stand Assembly (OPTIONAL) – Parts List.....	17
13.0 Electrical Connections for IBG-8VSB.....	18
14.0 Warranty and Service.....	19

3.0 About this manual

This manual is provided by JET, covering the safe operation and maintenance procedures for a JET IBG-8VSB Variable Speed Buffing Machine. This manual contains instructions on installation, safety precautions, general operating procedures, maintenance instructions and parts breakdown. Your buffer has been designed and constructed to provide consistent, long-term operation if used in accordance with the instructions set forth in this document.

If there are questions or comments, please contact your local supplier or JET. JET can also be reached at our web site: www.jettools.com.

Retain this manual for future reference. If the grinder transfers ownership, the manual should accompany it.

⚠WARNING Read and understand the entire contents of this manual before attempting assembly or operation! Failure to comply may cause serious injury!

Register your product using the mail-in card provided, or register online:
<http://www.jettools.com/us/en/service-and-support/warranty/registration/>

4.0 Mounting hole dimensions

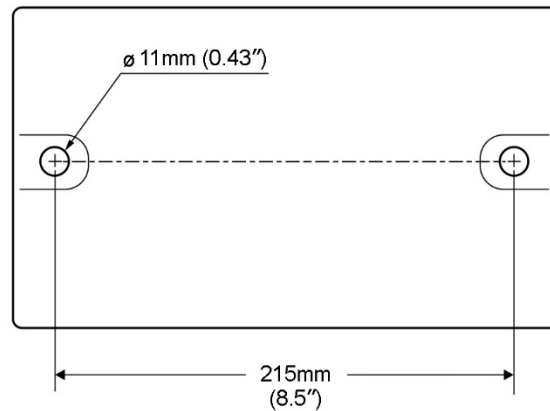


Figure 4-1: IBG-8VSB hole centers

5.0 Specifications

Model number	IBG-8VSB
Stock number	578218
Motor and Electricals	
Motor type	TEFC induction with inverter
Horsepower (true output)	1
Motor phase	3
Voltage	115/230V (prewired 115V)
Input power	single phase
Cycle	60 Hz
Listed FLA (full load amps)	7 / 3.5 A
On/off switch	TACT switch
Motor speed	Variable, 900-3600 RPM
Power cable size	16AWG x 3C SJT, 6 ft. (182 cm)
Power plug installed	5-15P, 125V/15A
Recommended circuit size ¹	15A
Sound emission without load ²	75 dB at 3 ft.
Arbor and buffing wheels	
Arbor diameter	5/8 in. (16mm)
Wheel size (OD x width)	8 x 1/2 in. (203.2 x 12.7mm)
Wheel bore	5/8 in. (16mm)
Wheel material	Woven cotton: spiral sewn and half-spiral sewn
Wheel flange diameter	3-3/8 in. (85mm)
Wheel speed	Variable, 900-3600 RPM
Main materials	
Arbor	Steel
Base	Cast iron
Motor housing	Sheet metal
End cover	Aluminum
Flange washers	Cast iron
Dimensions	
Mounting hole centers	8-1/2 in. (215mm)
Mounting hole diameters	7/16 in. (11mm)
Footprint (width x depth)	9-1/2 x 8-1/16 in. (241.6 x 205 mm)
Assembled dimensions (LxWxH)	23-1/2 x 8 x 10-9/16 in. (590 x 205 x 268 mm)
Shipping dimensions (LxWxH)	25-1/2 x 10-5/16 x 11-5/16 in. (648 x 262 x 288 mm)
Weights	
Net weight	40 lb (18.33 kg)
Shipping weight	44 lb (20.20 kg)

¹ subject to local/national electrical codes.

² The specified values are emission levels and are not necessarily to be seen as safe operating levels. As workplace conditions vary, this information is intended to allow the user to make a better estimation of the hazards and risks involved only.

L = length, W = width, H = height

n/a = not applicable

The specifications in this manual were current at time of publication, but because of our policy of continuous improvement, JET reserves the right to change specifications at any time and without prior notice, without incurring obligations.

6.0 Setup and assembly

6.1 Unpacking

Separate all parts from the packing material. Check each part against *sect. 7.2, Carton contents*, and make certain that all items are accounted for before discarding any packing material. (Check grinder first to verify if any parts have been pre-mounted.)

6.2 Carton contents

- 1 Buffing Machine
- 2 Buffing wheels
- 4 Flanges
- 6 Spacers
- 2 Arbor nuts (1 left-hand, 1 right-hand)
- 1 Operating instructions & parts manual
- 1 Product registration card

6.3 Tools required for assembly

24mm (or adjustable) wrench

The IBG-8VSB requires only the installing of buffing wheels. Additional fasteners and tools may be needed for mounting the buffer to a workbench or stand. For your safety, do not plug the machine into a power source until all assembly and adjustments are complete.

⚠WARNING Do not plug in the buffer to power until it is inspected for shipping damage, fully assembled, and moved to its permanent location.

6.4 Securing the buffer

To prevent the machine from moving during operation, it should be securely mounted to a work surface or stand. Fasteners for mounting are not included with the buffer.

1. Align mounting holes on buffer with predrilled holes in a bench or stand. Figure 4-1 shows hole centers for mounting.
2. Insert M8 (or 5/16") bolts through the holes and tighten, using washers and nuts.

An optional pedestal stand (not included) is available from JET for your buffer. See *sect. 11.0*.

IMPORTANT: The buffer's base plate contains ventilation holes for keeping the circuit board at an acceptable temperature. These holes should not be obstructed. If the rubber pads are removed for mounting to a table, allow an opening in the table below the buffer for air circulation. However, it is recommended the rubber pads be left on, as they allow air circulation as well as vibration dampening.

6.5 Buffing wheels

1. Disconnect buffer from power source.

2. Install three spacers onto each end of arbor.
3. Check the flanges to make sure they are clean and flat. Wheel flanges that are not flat will cause the wheel to wobble.
4. Install inner flange, buffing wheel, and outer flange.
5. Install a nut on each end of arbor and tighten with 15/16", or adjustable, wrench. The brass-colored nut has left-hand threads – install on *left* end of arbor and tighten counterclockwise. Install the other nut on right end of arbor and tighten clockwise. Do not overtighten the nuts.

See *sect. 9.0* for further information on inspecting and changing wheels.

7.0 Electrical connections

⚠WARNING Electrical connections should be made by a qualified electrician in compliance with all relevant codes. This tool must be properly grounded.

The **IBG-8VSB** Buffer is prewired for 115V single phase power, and is supplied with a plug designed for use on a circuit with a grounded outlet that looks like the one pictured in A, Figure 7-1. The buffer may be converted to 230V single phase power, see *sect. 7.3*.

It is recommended that the buffer be connected to a 15-amp circuit with circuit breaker or fuse. If using fuses, they should be time-delay fuses marked "D". **Local codes take precedence over recommendations.**

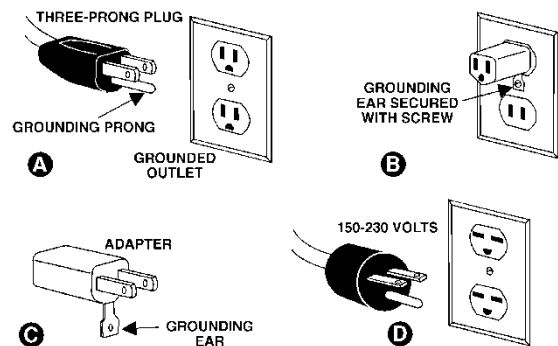


Figure 7-1: plug configurations

7.1 Grounding instructions

1. All Grounded, Cord-connected Tools:

This tool must be grounded. In the event of a malfunction or breakdown, grounding provides a path of least resistance for electric current to reduce the risk of electric shock. This tool is equipped with an electric cord having an equipment-grounding conductor and a grounding plug. The plug must be plugged into a matching outlet that is properly installed and grounded in accordance with all local codes and ordinances.

Do not modify the plug provided - if it will not fit the outlet, have the proper outlet installed by a qualified electrician.

Improper connection of the equipment-grounding conductor can result in a risk of electric shock. The conductor with insulation having an outer surface that is green with or without yellow stripes is the equipment-grounding conductor. If repair or replacement of the electric cord or plug is necessary, do not connect the equipment-grounding conductor to a live terminal.

⚠WARNING Check with a qualified electrician or service personnel if the grounding instructions are not completely understood, or if in doubt as to whether the tool is properly grounded. Failure to comply may cause serious or fatal injury.

Use only 3-wire extension cords that have 3-prong grounding plugs and 3-pole receptacles that accept the tool's plug.

Repair or replace damaged or worn cord immediately.

2. *Grounded, cord-connected tools intended for use on a supply circuit having a nominal rating less than 150 volts:*

This tool is intended for use on a circuit that has an outlet that looks like the one illustrated in **A**, Figure 7-1. An adapter, shown in **B** and **C**, may be used to connect this plug to a 2-pole receptacle as shown in **B** if a properly grounded outlet is not available. The temporary adapter should be used only until a properly grounded outlet can be installed by a qualified electrician. *This adapter is not permitted in Canada.* The green-colored rigid ear, lug, and the like, extending from the adapter must be connected to a permanent ground such as a properly grounded outlet box.

3. *Grounded, cord-connected tools intended for use on a supply circuit having a nominal rating between 150 - 250 volts, inclusive:*

This tool is intended for use on a circuit that has an outlet that looks like the one illustrated in **D**, Figure 7-1. A grounding plug may be installed, that looks like the plug illustrated in **D**; or the grinder may be "hard-wired" to a panel, provided there is a disconnect for the operator.

Make sure the tool is connected to an outlet having the same configuration as the plug. No adapter is available or should be used with this tool. If the tool must be reconnected for use on a different type of electric circuit, the reconnection should be made by qualified service personnel; and after reconnection, the tool should comply with all local codes and ordinances.

7.2 Extension cords

The use of extension cords is discouraged. Try to position equipment near the power source. If an

extension cord becomes necessary, use only three-wire extension cords that have three-prong grounding type plugs and three-prong receptacles that accept the tool's plug. Replace or repair damaged or worn cord immediately.

Make sure your extension cord is good condition, and is heavy enough to carry the current your product will draw. An undersized cord will cause a drop in line voltage resulting in loss of power and overheating.

Table 1 shows the correct size to use depending on cord length and nameplate ampere rating. If in doubt, use the next heavier gage. The smaller the gage number (AWG), the heavier the cord.

Ampere Rating		Volts	Total length of cord in feet			
More Than	Not More Than	120	25	50	100	150
		240	50	100	200	300
			AWG			
0	6		18	16	16	14
6	10		18	16	14	12
10	12		16	16	14	12
12	16		14	12	Not Recommended	

*Extension Cord Recommendations
Table 1*

7.3 Voltage conversion

To change voltage input to 230-volt on the IBG-8VSB Buffer, remove existing plug from power cable and attach a UL/CSA listed plug designed for 230V power.

8.0 Operation

Buffing wheels vary according to material and structure, and range from aggressive wheels that even out high spots and remove surface defects ("cutting"), to finer wheels that bring out the brilliant luster of the metal surface ("coloring"). The buffing wheel surface may be straight or biased (cut at an angle).

The JET Buffer is provided with two buffing wheels: a full spiral-sewn wheel for general polishing of metals, and a looser or half spiral-sewn wheel for final polishing and coloring of metals.

A compound (not provided) should be selected for the specific wheel and work to be done. Generally for spiral-sewn cloth wheels, a brown (Tripoli), compound will be used for basic cutting and polishing, followed by a white compound for coloring. Red (Jeweller's Rouge) compound is often used for further enhancement to gain a mirror-like surface. Consult experienced metalworkers and online resources for specific recommendations on buffing wheels and their application.

⚠WARNING Always use approved safety glasses or face shield while operating buffer. Also use appropriate respiratory protection.

8.1 General procedure

1. Turn on buffer and apply compound to lower part of spinning wheel (not the workpiece). Do not apply excessive compound; press compound stick lightly against wheel for only a few seconds. Reapply later as needed.
2. Grip workpiece firmly and press it against *underside* of wheel, that is, the area of wheel that is rotating away from the workpiece. See Figure 8-1.

⚠WARNING Press workpiece to lower half of buffing wheel only. Using upper half of wheel may cause workpiece to catch and could result in injury.

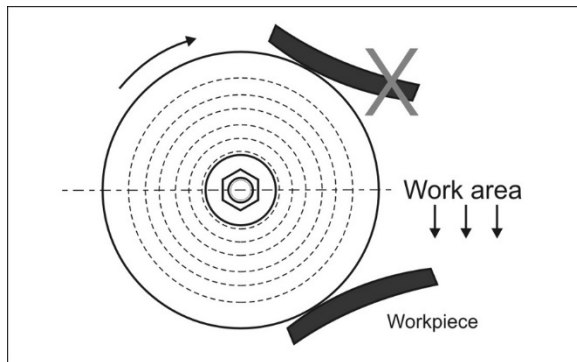


Figure 8-1

8.2 Operating controls

See Figure 8-2. Press on/off button on keypad to turn machine on. Press any of the numbered buttons to start machine at the designated speed. Press arrow buttons to change rotation speed in 100 RPM increments. The digital readout displays RPM.

When operation is finished, press on/off button and allow the wheels to spin down to zero. Press on/off button again to shut off machine.

⚠CAUTION When OFF button is pushed, wheels may take a few moments to completely stop.

Note: After extended operation, the buffer housing may be warm to the touch. This is normal.

The buffing machine will automatically shut off after 10 minutes of inactivity.

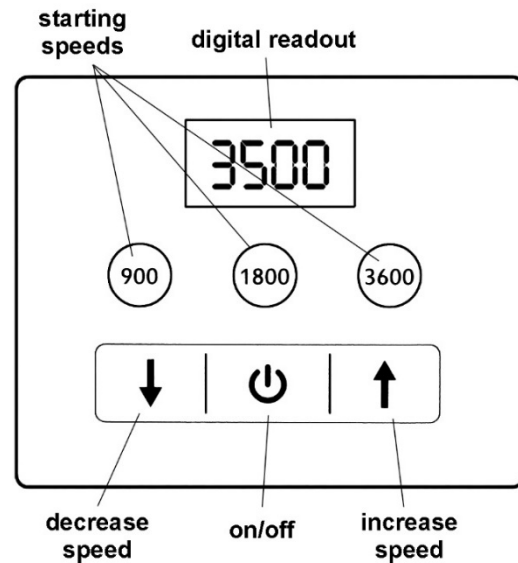


Figure 8-2: keypad

9.0 User-maintenance

For safety, unplug machine from power source receptacle before adjusting or performing any maintenance. If the power cord is worn, cut or damaged in any way, have it replaced immediately.

Motor bearings are permanently lubricated and sealed at the factory and require no additional attention.

9.1 Changing Wheels

If you replace a wheel, obtain one with a safe rated speed at least as high as the maximum 3600 RPM of the buffing machine. The buffing wheel should be maximum 8" diameter with 5/8" bore.

The spacers on the shaft allow for different configurations and widths of buffing wheel.

⚠WARNING The use of any other accessory is not recommended and may result in serious injury!

9.2 Wheel balancing

With the buffer unplugged from the power source, and arbor nuts snugged down, rotate wheels by hand and observe their motion.

A buffing wheel has proper balance when:

1. The wheel's outside face spins true and round; that is, its circumference rotates concentric to the arbor.
2. There is no side-to-side wobble.

9.2.1 Adjusting concentricity

If the outside face is not rotating concentric to arbor, try shifting the wheel closer to arbor centerline before tightening the nut.

A wheel rake (not provided) may also be used to shape the buffing wheel for better concentric rotation.

9.2.2 Correcting side-to-side wobble

The IBG-8VSB Buffer has large, machined flanges, making wobble unlikely if a good quality buffing wheel is used. Should a wheel exhibit need for adjustment:

1. Loosen nut and rotate the outer flange a little. Snug the nut and spin the wheel by hand to check.
2. If wobble still exists, continue repeating step 1, rotating outer flange incrementally in the same direction. Make sure to keep the wheel in the same position each time.
3. If complete rotation of outer flange has proved ineffective, remove nut, outer flange, and wheel (keep wheel in same orientation by placing a pencil mark on it somewhere for reference). Then rotate inner flange about 90° and repeat the above steps for the outer flange.

4. Continue this combination of flange movements until the wobble is eliminated.

If required, a shim made of paper or card stock may be placed between flange and wheel side.

NOTE: Slight wobble may still exist at spin-up and spin-down, but will not affect normal speed operation.

9.3 Buffer maintenance

Periodically use a wheel rake (not provided) to clean and shape the buffing wheels.

9.4 Additional servicing

Any additional servicing on the buffer should be performed by an authorized service representative.

10.0 Troubleshooting IBG-8VSB Buffer

10.1 General electrical and mechanical problems

Table 3

Symptom	Possible Cause	Correction *
Motor will not start.	Not connected to power source.	Verify that plug is properly inserted into receptacle.
	Motor cord cut or abraded.	Replace with new cord.
	Wheels cannot rotate because of obstruction.	Unplug and turn wheel by hand to ensure free movement. Restart.
	Plug on cord is faulty.	Replace with new plug.
	Low line voltage.	Check power line for proper voltage.
	Fuse blown or circuit breaker open.	Re-set. May be too many machines on one line.
	Faulty switch.	Replace switch.
	Open circuit in motor or loose connection.	Inspect all lead connections on motor for loose or open connections.
	Motor faulty, or inverter PCB fault.	Contact JET technical service.
Motor will not start; fuses blow or circuit breakers trip.	Too many electrical machines running on same circuit.	Turn off other machines and try again.
	Incorrect fuse.	Use time-delay fuse, or go to circuit with higher rated fuse or breaker.
	Wheels cannot rotate because of obstruction.	Unplug and turn wheel by hand to ensure free movement. Clear any obstructions and restart.
	Undersized extension cord.	Use correct size extension cord.
	Short circuit in line cord or plug.	Inspect cord or plug for damaged insulation and shorted wires.
	Short circuit in motor or loose connections.	Inspect all connections on motor for loose or shorted terminals or worn insulation.
Motor fails to develop full power.	Low line voltage.	Check power line for proper voltage.
	Faulty motor or capacitor.	Contact JET technical service.
Motor overheats.	Motor overloaded.	Reduce pressure against wheel. Make sure wheel is appropriate for the job.
Motor stalls, resulting in blown fuses or tripped circuit.	Motor overloaded.	Reduce load on motor; do not press so hard.
	Capacitor failure.	Contact JET technical service.
	Short circuit in motor or loose connections.	Inspect connections on motor for loose or shorted terminals or worn insulation.
	Low voltage.	Correct the low voltage conditions.
	Incorrect fuses or circuit breakers in power line.	Install correct fuses or breakers.

Symptom	Possible Cause	Correction *
Motor slows.	Motor overloaded.	Reduce load to motor; do not press so hard.
	Low line voltage.	Check power line for proper voltage.
	Loose electrical connections.	Inspect connections.
Frequent fuse or circuit breaker failure.	Motor overload.	Reduce load to motor; do not press so hard.
	Electrical circuit overload; too many electrical machines running on same circuit.	Turn off other machines and try again.
	Incorrect fuse or circuit breaker	Have electrician upgrade service to outlet.
Excessive vibration.	Wheel(s) out of balance; wobbling or not rotating concentric to arbor.	Rake the wheel or replace it. Adjust wobble by rotating flange as needed.
	Improper mounting.	Secure machine firmly to bench or stand.

10.2 Digital readout error codes

Table 4

Message	Possible Cause	Correction *
OCL	Internal electronic overload has been tripped.	Do not overload motor; reduce pressure of workpiece against wheels.
OH	IGBT protection activated.	Inspect wire connections to U/V/W for possible short circuits. Verify that motor rating corresponds to AC motor drive output power.
OE	Excessive input voltage (exceeds AC driver limits).	Use correct voltage.
LE1	Low voltage; AC motor driver detects that DC bus voltage has fallen below minimum threshold	Make sure input voltage falls within range of AC motor input voltage range. Check for abnormal load in motor.
LP1	Low input voltage (below AC driver limits)	Use correct voltage.

* **WARNING:** Some corrections may require a qualified electrician.

11.0 Optional accessories

These accessory items, purchased separately, are available for your JET bench grinder or buffer. Contact your dealer to order, or call JET at the phone number on the cover.



578172
IBG Stand



578173
Deluxe IBG Stand



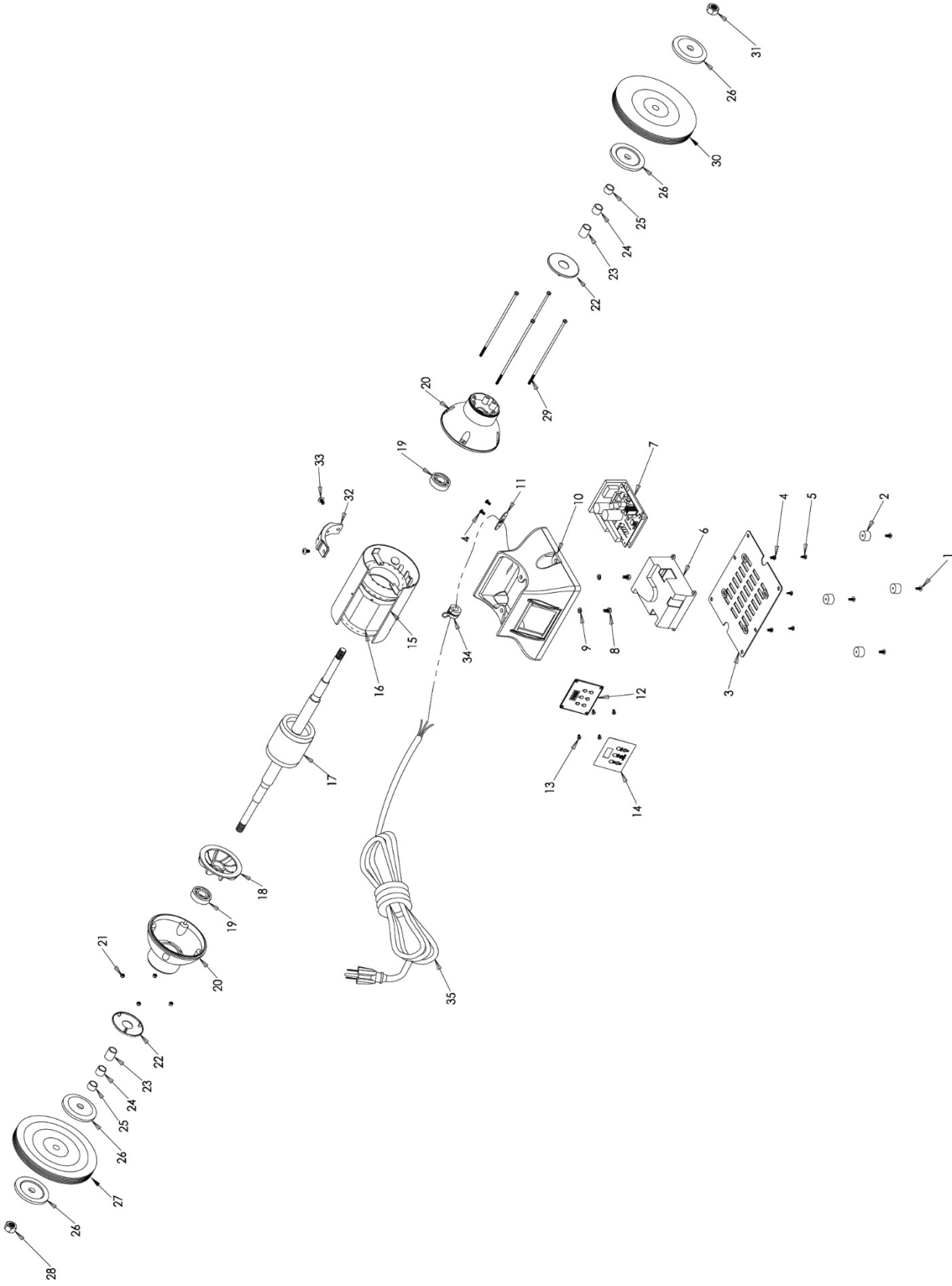
578100
Flexible 3W LED Lamp
(includes two 1/4 x 3/8 mounting screws)

12.0 Replacement Parts

Replacement parts are listed on the following pages. To order parts or reach our service department, call 1-800-274-6848 Monday through Friday, 8:00 a.m. to 5:00 p.m. CST. Having the Model Number and Serial Number of your machine available when you call will allow us to serve you quickly and accurately.

Non-proprietary parts, such as fasteners, can be found at local hardware stores, or may be ordered from JET. Some parts are shown for reference only, and may not be available individually.

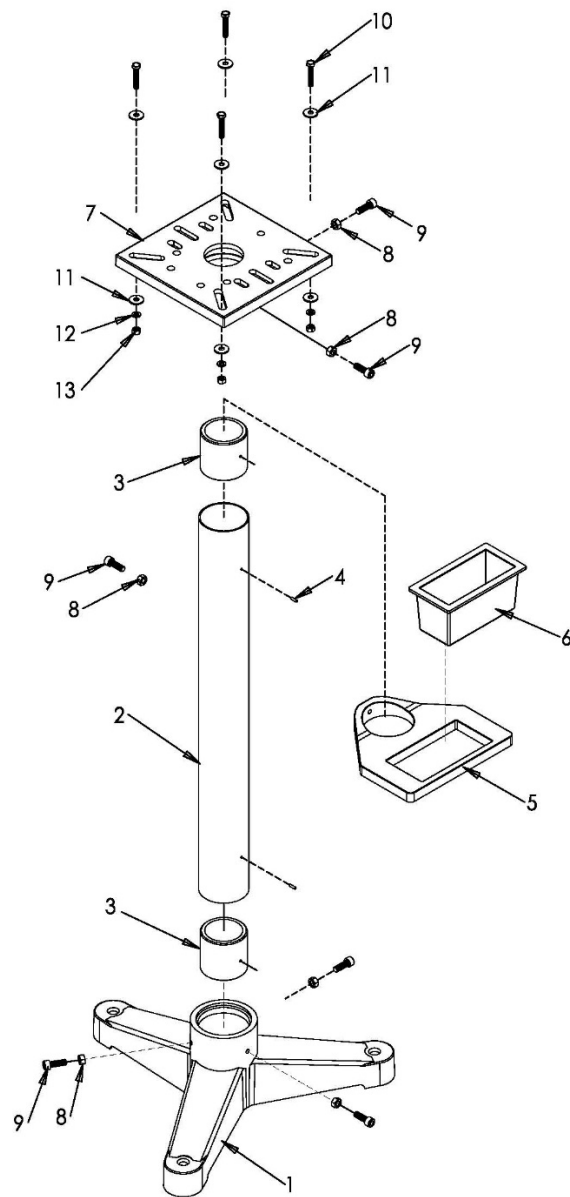
12.1.1 IBG-8VSB Buffer – Exploded View



12.1.2 IBG-8VSB Buffer – Parts List

Index No.	Part No.	Description	Size	Qty
1	IBG8-01	Truss Head Screw	3/16"-24 x 1/4"	4
2	IBG8-02	Rubber Pad		4
3	IBG8-03	Base Plate		1
4	IBG8-04	Truss Head Screw	3/16"-24 x 3/8"	4
5	F011289	Truss Head Phillips Tap Screw	#8x1/2"	4
6	IBG8VS-06	Electrical Box		1
7	IBG8VS-07	Inverter PCB		1
8	TS-0050021	Hex Cap Screw	1/4"-20 x 5/8"	2
9	TS-0720071	Lock Washer	1/4"	2
10	IBG8VS-10	Base		1
11	IBG8-11	Cord Plate		1
12	IBG8VS-12	Control Panel w/ Digital Readout (includes #14)		1
13	TS-2284082	Pan Head Screw	M4 x 8	4
14	IBG8VS-13	Panel Decal		1
15	IBG8VS-14	Motor Housing		1
16	IBG8VS-15	Stator		1
17	IBG8VSB-17	Rotor		1
18	IBG8-17	Motor Fan		1
19	BB-6204ZZ	Ball Bearing	6204ZZ	2
20	IBG8-19	End Bell		2
21	TS-1540031	Hex Nut	M5	4
22	IBG8VSB-22	End Cap		2
23	IBG8VSB-23	Spacer	L 25mm	2
24	IBG8VSB-24	Spacer	L 16mm	2
25	IBG8VSB-25	Spacer	L 13mm	2
26	IBG8-22	Wheel Flange		4
27	IBG8VSB-27	Buffing Wheel (full spiral sewn)	Ø8" x W 1/2" x B 5/8"	1
28	IBG8-24	Hex Nut (LH Thread)	5/8"	1
29	IBG8-42	Screw	M5 x 0.8 x 205	4
30	IBG8VSB-30	Buffing Wheel (half spiral sewn)	Ø8" x W 1/2" x B 5/8"	1
31	IBG8-44	Hex Nut (RH Thread)	5/8"	1
32	IBG8-50	Lamp Fixed Bracket		1
33	TS-081F031	Flat Head Cross Screw	1/4" x 3/8"	2
34	IBG8-47	Strain Relief		1
35	IBG8-46	Power Cord with 15A Plug	16AWG x 3C SJT	1
	LM000285	ID/Warning Label, IBG-8VSB (not shown)		1
	JET-92	JET Logo (not shown)	92x38mm	1

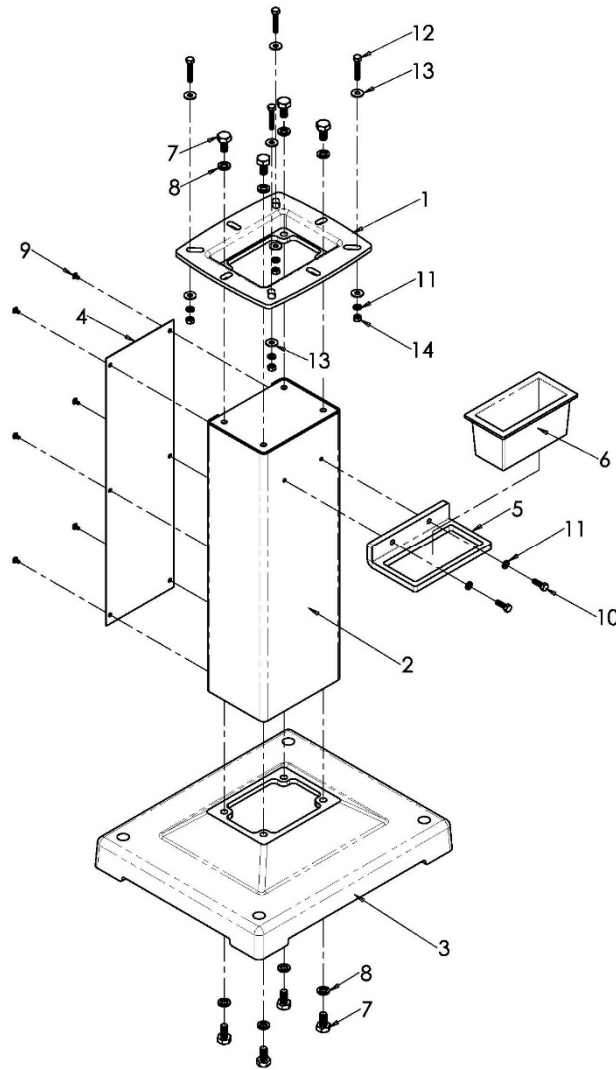
12.2.1 IBG-Stand Assembly (OPTIONAL) – Exploded View



12.2.2 IBG-Stand Assembly (OPTIONAL) – Parts List

Index No.	Part No.	Description	Size	Qty
.....	578172	IBG-Stand for Bench Grinders (#1 thru 13)	1
1	IBGS-01	Base	1
2	IBGS-02	Post (includes #3 and #4)	1
3	IBGS-03	Insert Ring	2
4	IBGS-04	Pin	Ø4 x 14	2
5	IBGS-05	Water Pot Holder	1
6	IBGS-06	Water Pot	1
7	IBGS-07	Platform	1
8	TS-1540071	Hex Nut	M10	6
9	TS-1505041	Socket Head Cap Screw	M10 X 30	6
10	TS-1490071	Hex Cap Screw	M8 x 40	4
11	TS-1550061	Flat Washer	M8	8
12	TS-2361081	Lock Washer	M8	4
13	TS-1540061	Hex Nut	M8	4

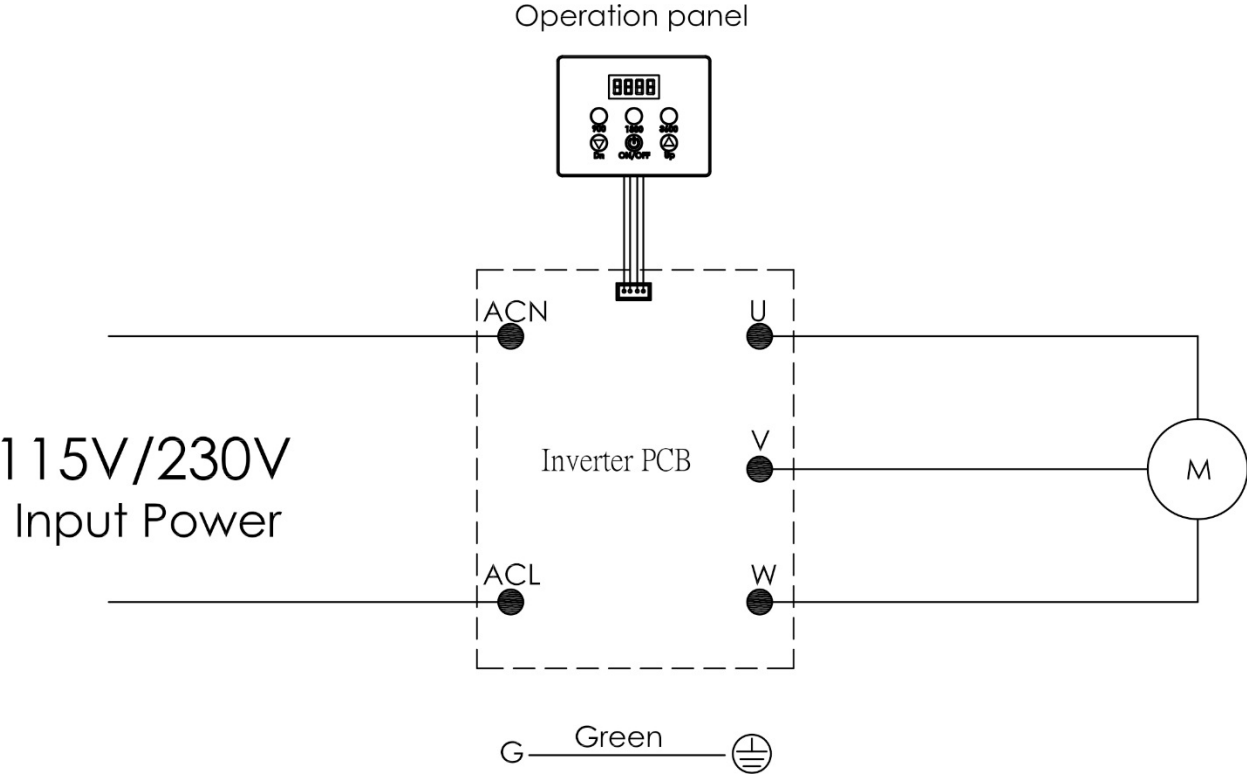
12.3.1 DBG-Stand Assembly (OPTIONAL) – Exploded View



12.3.2 DBG-Stand Assembly (OPTIONAL) – Parts List

Index No.	Part No.	Description	Size	Qty
.....	578173	DBG-Stand for Bench Grinders (#1 thru 14)		1
1	DBGS-01	Platform		1
2	DBGS-02	Stamped Stand Front		1
3	DBGS-03	Base		1
4	DBGS-04	Stamped Stand Cover		1
5	DBGS-05	Water Pot Holder		1
6	IBGS-06	Water Pot		1
7	TS-0070011	Hex Cap Screw	1/2"-13 x 1"	8
8	TS-0720111	Lock Washer	1/2"	8
9	TS-081F032	Pan Head Machine Screw	1/4"-20 x 3/8"	6
10	TS-0051051	Hex Cap Screw	5/16"-18 x 1"	2
11	TS-0720081	Lock Washer	5/16"	6
12	TS-1490071	Hex Cap Screw	M8 x 40	4
13	TS-2361081	Lock Washer	M8	8
14	TS-2311081	Hex Nut	M8	4

13.0 Electrical Connections for IBG-8VSB



14.0 Warranty and Service

JET® warrants every product it sells against manufacturers' defects. If one of our tools needs service or repair, please contact Technical Service by calling 1-800-274-6846, 8AM to 5PM CST, Monday through Friday.

Warranty Period

The general warranty lasts for the time period specified in the literature included with your product or on the official JET branded website.

- JET products carry a limited warranty which varies in duration based upon the product. (See chart below)
- Accessories carry a limited warranty of one year from the date of receipt.
- Consumable items are defined as expendable parts or accessories expected to become inoperable within a reasonable amount of use and are covered by a 90 day limited warranty against manufacturer's defects.

Who is Covered

This warranty covers only the initial purchaser of the product from the date of delivery.

What is Covered

This warranty covers any defects in workmanship or materials subject to the limitations stated below. This warranty does not cover failures due directly or indirectly to misuse, abuse, negligence or accidents, normal wear-and-tear, improper repair, alterations or lack of maintenance. JET woodworking machinery is designed to be used with Wood. Use of these machines in the processing of metal, plastics, or other materials outside recommended guidelines may void the warranty. The exceptions are acrylics and other natural items that are made specifically for wood turning.

Warranty Limitations

Woodworking products with a Five Year Warranty that are used for commercial or industrial purposes default to a Two Year Warranty. Please contact Technical Service at 1-800-274-6846 for further clarification.

How to Get Technical Support

Please contact Technical Service by calling 1-800-274-6846. **Please note that you will be asked to provide proof of initial purchase when calling.** If a product requires further inspection, the Technical Service representative will explain and assist with any additional action needed. JET has Authorized Service Centers located throughout the United States. For the name of an Authorized Service Center in your area call 1-800-274-6846 or use the Service Center Locator on the JET website.

More Information

JET is constantly adding new products. For complete, up-to-date product information, check with your local distributor or visit the JET website.

How State Law Applies

This warranty gives you specific legal rights, subject to applicable state law.

Limitations on This Warranty

JET LIMITS ALL IMPLIED WARRANTIES TO THE PERIOD OF THE LIMITED WARRANTY FOR EACH PRODUCT. EXCEPT AS STATED HEREIN, ANY IMPLIED WARRANTIES OF MERCHANTABILITY AND FITNESS FOR A PARTICULAR PURPOSE ARE EXCLUDED. SOME STATES DO NOT ALLOW LIMITATIONS ON HOW LONG AN IMPLIED WARRANTY LASTS, SO THE ABOVE LIMITATION MAY NOT APPLY TO YOU.

JET SHALL IN NO EVENT BE LIABLE FOR DEATH, INJURIES TO PERSONS OR PROPERTY, OR FOR INCIDENTAL, CONTINGENT, SPECIAL, OR CONSEQUENTIAL DAMAGES ARISING FROM THE USE OF OUR PRODUCTS. SOME STATES DO NOT ALLOW THE EXCLUSION OR LIMITATION OF INCIDENTAL OR CONSEQUENTIAL DAMAGES, SO THE ABOVE LIMITATION OR EXCLUSION MAY NOT APPLY TO YOU.

JET sells through distributors only. The specifications listed in JET printed materials and on official JET website are given as general information and are not binding. JET reserves the right to effect at any time, without prior notice, those alterations to parts, fittings, and accessory equipment which they may deem necessary for any reason whatsoever. JET® branded products are not sold in Canada by JPW Industries, Inc.

Product Listing with Warranty Period

90 Days – Parts; Consumable items
1 Year – Motors; Machine Accessories
2 Year – Metalworking Machinery; Electric Hoists, Electric Hoist Accessories; Woodworking Machinery used for industrial or commercial purposes
5 Year – Woodworking Machinery
Limited Lifetime – JET Parallel clamps; VOLT Series Electric Hoists; Manual Hoists; Manual Hoist Accessories; Shop Tools; Warehouse & Dock products; Hand Tools; Air Tools

NOTE: JET is a division of JPW Industries, Inc. References in this document to JET also apply to JPW Industries, Inc., or any of its successors in interest to the JET brand.



427 New Sanford Road
LaVergne, Tennessee 37086
Phone: 800-274-6848
www.jettools.com