

8" X 20" - English Solid Bamboo Flooring - Front - 3/10/14 - A

HOME
DECORATORS
COLLECTION

Installation Instructions
Solid Bamboo Flooring
For Assistance, Call: 1-877-630-1800
Homedepot.com/homedecorators

Products Included
5/8", 9/16", 1/2", 3/8" Thick;
Solid; Tongue and Groove

Grade Levels
On Grade
Above Grade

Installation Method
Nail/Cleat
Full Spread Glue

WARNING: CALIFORNIA RESIDENTS

This product contains formaldehyde of which is known to the State of California to cause cancer.

CAUTION: ASBESTOS IN EXISTING FLOOR

Home Decorators Collections product does not contain asbestos. Existing installed resilient flooring and asphaltic adhesive may contain **asbestos fillers or crystalline silica. Do not sand, dry sweep, dry scrape, drill, saw, bead-blast, or mechanically chip or pulverize existing resilient flooring, backing, lining felt, asphaltic "cutback" adhesive or other adhesive.** See "Recommended Work Practices for Removal of Resilient Floor Coverings" (rfci.com) for detailed information and instructions on removing all resilient covering structures.

CAUTION: BAMBOO DUST

Sawing, sanding and machining products can produce bamboo dust. It may induce respiratory, skin and eye irritation. Avoid prolonged exposure to bamboo dust. Power tools should be equipped with a dust collector. If possible, perform bamboo dust generating activities outdoors. If high dust levels are encountered, use an appropriate NIOSH-designated dust mask.

Owner/Installer Responsibility

The owner is advised to be at home during the installation for consultation/direction. The owner and installer should discuss installation and layout to maximize satisfaction. If this is not possible, consultation should be done prior to installation. Installers should be familiar with installation guidelines from National Wood Flooring Association (woodfloors.org). The owner/installer assumes all responsibility for product quality of completed installation. **PERFORM PRE-INSTALL INSPECTION. FOR CLAIMS PURPOSES, YOU ARE ALLOWED TO OPEN UP TO 4 BOXES FOR PRODUCT INSPECTION. DO NOT OPEN ALL THE BOXES. OPENING ALL THE BOXES CONSTITUTES YOUR ACCEPTANCE OF THE PRODUCT. INSPECT ALL THE PLANKS IN THESE 4 BOXES CAREFULLY. EXAMINE FLOORING FOR COLOR, FINISH AND QUALITY. IF YOU DISCOVER THAT PRODUCTS ARE DEFECTIVE, OR IF MATERIAL IS QUESTIONABLE, YOU SHOULD CONTACT THE RETAILER. IF YOU ARE SATISFIED, PROCEED WITH INSTALLATION.** Prior to installation, rack up planks from several boxes to ensure uniform distribution of colors, shades and characters in the installed flooring. Planks having similar widths should be placed together in the same row to minimize gaps between boards.

Bamboo floors are natural products containing natural variations. Variations in color, tone, grain, mineral streaks, small knots and other characters are found from plank to plank. Similar variations exist between samples, pictures and purchased flooring. They are normal and it does not mean the product is defective. Flooring to be installed in one large area should be purchased at the same time. Product purchased at a later time than the first purchase may vary beyond your expectations.

Accessories, trims and moldings are manufactured to coordinate to the varied appearances of the floor planks. Any exact matches are coincidental. Non-matching accessories are not defective products. This product is manufactured according to strict quality standards. In the event that defects are discovered in the field, the industry standards permit a defect tolerance not to exceed 5%. The defects may be of any type, whether manufactured or natural. Order an additional 5% extra for cutting wastage and grading allowances (10% for diagonal installations). During installation, inspect the planks continuously. Defects that can be seen from a standing position should be cut off or the plank held out. Installing defective planks implies acceptance.

Squeaking and clicking noises are the result of interactions among flooring, joists and subfloors when they move. Limiting the movements of the flooring system usually eliminates most of these noises. Sometimes, it is impossible to eliminate them completely and minor squeaking or clicking noises are to be accepted as normal flooring phenomenon. Minor scratches can generally be repaired with the use of putty, stain or filler. It is an industry standard practice of flooring installation and it should be accepted as normal by the home owner.

If You Need More Information: To assure the warranty is not inadvertently voided, before proceeding with any activity that is not covered in this manual, please contact our Technical Support Department.

Acclimation and In-service Conditions

Acclimation is the process of adjusting (conditioning) the moisture content of bamboo flooring to the environment in which it is expected to perform. The bamboo flooring is fully acclimated when its moisture content and dimensions (width and length) are stable. For example, the averaged dimensions and moisture content remain constant for 3 consecutive days. Bamboo flooring must acclimate for as long as necessary to reach fully acclimated stage. Acclimation time varies depending on geographical area, interior climate control and time of the year. With open carton and open plastic wrap minimum acclimation time is 72 hours. In open box, open plastic wrap. Elevate planks from the floor by placing them on 2"x2" lumber or equivalence. Place spacers (3/4" to 1" sticks) between each layer or cross stack the layers for maximum exposure to ambient conditions. Acclimation temperature range is 60°F-80°F and relative humidity (RH) of 35%-55%. Conditions in which the floor was acclimated should be maintained continuously thereafter. Document as much acclimation information as possible below.

Date: _____

Relative Humidity (%): _____

Temperature (F°): _____

Subfloor Type: _____

Subfloor Avg. Moisture Content: _____

Acclimation Period: _____

Pre-acclimation Flooring Avg. Moisture Content (%) _____

Pre-acclimation Flooring Width: _____

Pre-acclimation Flooring Length: _____

Post-acclimation Flooring Avg. Moisture Content (%): _____

Post-acclimation Flooring Width: _____

Post-acclimation Flooring Length: _____

Job Site Condition

Prior to installation, the installer must ensure that at the time of installation, the job site conditions including subfloor/substrate, ambient temperature and relative humidity, and all impacting variables will not negatively affect floor. The manufacturer will decline responsibility for damages associated with improper installation or poor site conditions.

Storage and Conditions

Do not store flooring in uncontrolled environmental conditions. For example, garages and exterior patios are not acceptable areas to store flooring. Handle and unload bamboo flooring with care and store within the environmentally controlled site in which it is expected to perform. Flooring stored on concrete slab should be elevated at least four inches to allow air circulation under cartons.

Existing Home

Existing home should have a consistent room temperature of 60°F-80°F and relative humidity of 35%-55%. Continual deviation from these conditions will affect the dimensions of flooring, especially bamboo. During heating season, humidity may be much lower than the acceptable range. During the heating season, a humidifier is recommended to prevent excess shrinkage in bamboo flooring due to low humidity levels. During the non-heating season, humidity levels can be maintained by using an air conditioner, dehumidifier, or by turning on your heating system periodically.

New Construction or Remodel

All work involving water, such as pouring basement concrete floors, drywall and plasterwork, plumbing, etc. must be completed well in advance of the floor delivery. Ensure that the building is enclosed. Where building codes allow, permanent heating and/or air conditioning systems should be operating at least five days preceding installation to promote proper acclimation and should be maintained during and after installation. If it is not possible for the permanent heating and/or air conditioning system to be operating before, during and after installation, a temporary heating and/or dehumidification system that simulate normal living (occupied) conditions can enable the installation to proceed until the permanent heating and/or air conditioning system is fully operational.

Your job site should have a consistent temperature of 60°F-80°F and relative humidity of 35%-55% which should be maintained continuously thereafter.

Basements and Crawl Spaces

Concrete slab or ground must be dry. The ground in the crawl spaces must be completely covered using 6 mil black polyethylene. Crawl space clearance between the earth and underside of joists should be no less than 18 inches and the perimeter vent area should be equal to 1.5% of the total square footage of the crawl space or as mandated by code.

Concrete Subfloor Requirements.

It must have minimum rated strength of 3000 psi. It must be level to within 1/8" in a 6 foot span or 3/16" in a 10 foot span; no bumps or low spots. High spots can be removed by grinding; depressions can be filled with patching compound formulated for use in floor installation. It must be clean; no construction debris, soil, mud and any other objects on or adhering to the floor; if necessary, scrape and sweep away before the installation; no protrusions of nails, debris, metals should remain. New concrete slab must cure for at least 60 days. It must have a minimum 10 mil polyethylene sheet between the ground and the concrete. It must meet concrete moisture requirement below. It must be free from moisture related conditions which can damage the installed flooring.

Light Weight Concrete

It is concrete which rated strength is less than 3000 psi. Perform a quick check by drawing a nail across the top; if it leaves indentation, it is probably light concrete. For glue-down application, the concrete must possess shear strength greater than the glue. If concrete rated psi is unknown, contact the adhesive manufacturer for guidance.

Concrete Moisture

All concrete subfloors should be tested for moisture content and the results documented. Visual checks are not reliable. Perform tests at locations around exterior doorways, near walls containing plumbing, near foundation walls and in the center of the room. Minimum sample size is 3 samples per 1000 square feet of area and one test for every additional 1000 square feet thereafter.

Its moisture content should meet one of the following criteria below:

- 4.5% when tested using Tramex Concrete Moisture Encounter
- Less than 3 pounds per 1000 square feet per 24 hours when using Calcium Chloride test (ASTM F 1869)
- 75% when using Relative Humidity Testing (ASTM F-2170).

Please note: Concrete moisture content may be acceptable the time of the test. These tests do not guarantee a perpetual "dry" concrete slab. The concrete slab moisture content can vary at other times of the year.

We are not responsible for moisture related damage to the installed flooring.

Wood Subfloor Requirements.

It must be clean; no presence of construction debris, soil, mud and any other objects on or adhering to the floor; no protrusions of nails, debris, metals should remain. If necessary, scrape and sweep the subfloor before the installation. It must be structurally sound and stable; no movements or squeaks; no loose panels or loose nails; no signs of ply de-lamination or other damages. Repair all shortcomings before installation.

It must be flat; no visible bumps or low spots; the subfloor should be flat to within 1/8" in 6 feet span or 3/16" in 10 feet. Test for moisture using reliable moisture meter. Perform tests at locations around exterior doorways, near foundation walls, near walls containing plumbing lines and in the center of the room. Measure 20 locations per 1000 square feet. Moisture content of subfloor or flooring should be less than 12%.

Moisture content difference between subfloor and acclimated flooring should be 2% or less.

Plywood or Oriented Strand Board (OSB) Specifications

On truss/joist spacing of 16" (406mm) O/C or less, the industry standard for single-panel subflooring is minimum 5/8" (19/32", 15.1 mm) CD Exposure 1 plywood subfloor panels (CD Exposure 1) or 23/32" OSB Exposure 1 subfloor panels, 4' x 8' sheets. Expansion gap between panels should be 1/8" (3 mm). If panels are not tongued and grooved and there is not sufficient spacing or is inadequate, cut in the required spacing with a circular saw. Do not cut in expansion space on tongue and groove panels.

Particle Board or Fiber Board Do not use.

Existing Floors

Installation over existing floor requires the installer to consider potential issues related to moisture damage, adhesive failure and fastener failure. Contact the adhesive and fastener manufacturers respectively for their specific instructions, recommendations and requirements. For nail down, acceptable flooring include: solid hardwood or linoleum. For glue down, acceptable flooring include: ceramics, terrazzo, or solid hardwood.

Radiant Heated Subfloor

This product cannot be installed on radiant heated subfloor.

Moisture Barrier and Moisture Retarder

Concrete Subfloor: Use moisture barrier if concrete moisture level exceeds the required limits. (see "Concrete Moisture" above)

Wood Subfloor: Use asphalt-saturated kraft paper or #15 or #30 felt that meets ASTM Standard D4869 or UU-B-790, Grade D. Overlap along the edge seams 2"- 4" wide. This retards moisture movement from below. Extend the moisture retarder to about 1" from the walls. Secure to the subfloor as necessary.

Sound Control Underlayment

Check with sound control manufacturer for application guidelines. Generally, the less compressive underlayment is preferred.

Expansion Gap

Required gap width is 3/4". It is required around the perimeter of the floor and between floor and all vertical obstructions. Do not place permanently mounted structures such as kitchen counter/cabinet on the installed floor. On floors wider than 20 feet, more or less spacing between rows may be needed depending on geographical area, interior climate control and time of the year.

Adhesive

Use premium flooring adhesive which is non-water based, formulated for bamboo flooring installation. Preferred type: moisture cure urethane floor glue.

Fastener

5/8", 1/2" and 9/16" Floorings
Finish nail: 6d-8d
Nail / Cleat Length: 1-1/2" - 2" (4-5 cm);
Nail size gauge: 15 - 16 gauge or 18 - 20 gauge; higher gauge is needed if tongue is splitting upon impact.
Face nailing spacing: Every 10" - 12" (position first and last nail between 1" - 3" from ends and 1/2" from edge).
Blind nailing spacing: Every 6" - 8". (position first and last between 1" - 3" from ends)
3/8" Flooring.
We recommend Powernail tools: Model 2000 nailer; 1 inch long 20 gauge cleats. Angle entry at 55 degrees.
Finish nail: 6d.
Nail / Cleat Length: 1" - 1 1/2" (3-4cm).
Nail / Cleat size: 18-20 gauge. You may have to glue the floor if the tongue is splitting upon impact.
Face nailing spacing: Every 10" - 12" (position first and last nail between 1" - 3" from ends and 1/2" from edge).
Blind nailing spacing: Every 6" - 8". (position first and last between 1" - 3" from ends).

Tools and Materials

Basics:

Tape measure • Moisture meter (for wood and/or concrete) • Chalk line & chalk • Hammer • Power saw • Carbide tipped saw blade for fine cut • NIOSH-designated dust mask • Hand saw or jamb saw • Eye protection • Straight edge • Pry Bar • Mallet • Broom • Color matched putty • Tapping block • Pull bar

Additional Supplies for Nail-Down Method:

Electric drill and bits • Compressor and hose with in-line regulator for pneumatic tools • Power nailer for flooring with height adapter to match floor thickness • Pneumatic finish nailer • Nail set

Additional Supplies for Glue-Down Method: Flooring adhesive • Trowels • Adhesive remover for selected adhesive

• Clean rags • Weight roller • 3M Blue tape

Safety and Health Precautions

Power tools can be dangerous. Operate in strict accordance to manufacturer's operating instructions and safety precautions. Unsafe and improper use of it can cause serious injuries. Avoid inhalation and exposures to dust by mechanical means and by wearing personal protective equipment. Wear appropriate personal protective equipment (PPE) which include NIOSH or OSHA approve dust masks, safety goggle and work gloves.

Floor Damage Prevention

Note: For 3/8" thick flooring, we recommend Powernail Model 2000 nailer with 1 inch long 20 gauge cleats. Angle entry at 55 degrees.

It is extremely important to take precautionary actions to prevent damage to the floor during installation. ALWAYS TEST FIRE THE NAILER TO ENSURE PROPER SETTINGS. Use proper nailer, floor thickness adapters, face plates and cleats. Improper fasteners, machines and air pressure can cause severe damage to the flooring. Forcing or pounding floor boards together with a rubber mallet during assembly may bruise or damage board edges. The Manufacturer is not responsible for installation damages. Tongue fracture and surface dimpling are common installation damage. They are not product defects. Damage can be minimized by one or more of the followings:

- Change the angle of nail entry.
- Use thinner cleats or nails (18-20 gauge).
- Use an over-size base or foot plate to distribute the nailing force.
- Pre-drilling pilot holes and hand nailing may be required.
- As a last resort, use glue-down method instead, especially on thinner floors (3/8" or 5/16").

Fastening Failure

Fastening failure is NOT a flooring product defect. Inappropriate fastener may cause mechanical failure. It will fail to hold the floor attached to the subfloor. Do not mix fasteners of different length or gauge. Always check with fastener manufacturer to ensure the correct method and size fastener are being used to install the floor to the existing floor subfloor.

Bond Failure

Bond failure is NOT flooring product defect. Most installation failures, including bond failure, result from jobsite moisture. Do not unpack or deliver flooring to the jobsite until moisture problems are corrected. Read adhesive manufacturer's instruction carefully. Certain wood flooring adhesives may have special requirements and limitations of use. Some existing floor may not be acceptable. Not following the adhesive manufacturer's recommendations can lead to installation failure or product damage and will void your warranty.

Glue Spots on Face of Finished Floor

Adhesive can damage the floor's finish, especially when it has dried. It is extremely important to take precautionary steps NOT to leave finger prints or footprints marks on the face of the board. Preventive actions include wearing gloves when spreading glue and discarding the glove when finished. Use clean gloves before placing the floor planks in the adhesive layer. If glue comes in contact with the face of the board, remove immediately with the adhesive remover recommended by the adhesive manufacturer. Use clean towels, changing frequently to prevent haze and adhesive residue. If the spot removal damages the appearance of the boards, replace the board.

Helpful Pointers

General Tips:

- Make sure your work area is well lit. Good visibility ensures that color is consistent and that visually defective planks are detected and removed.
- The preferred minimum length of the plank is 12".
- Using a shorter piece at undercut door jams will help when fitting flooring in place.

Nail-Down Installation Tips

- Make sure power cleats are approved for use in OSB if plywood is not used as a substrate.
- First and last rows require hand nailing because the pneumatic or power-nailer cannot be used safely.
- First and last rows require pre-drilling through the face; nailing with 8d nails; countersinking the nails and the use of matching color putty to fill holes.
- Until power nailer can be used safely, additional rows may require pre-drilling through the tongue; blind nailing it with 8d nails; countersinking the nails.
- Use a spline or slip tongue whenever a change of board direction is needed. Splines should be glued to the groove and nailed into place.
- If the last row is less than 1" wide, it should first be glued at the joints to the previous uninstalled row and the joined unit should be face-nailed as one.
- Occasionally, a piece may be slightly bowed. Nail one end first, then use the pry bar to push the other end in place, nailing as you go.

Glue-Down Installation Tips

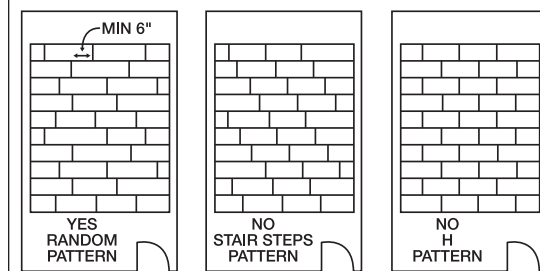
- ALWAYS REFER TO THE SPECIFIC INSTRUCTIONS ON THE FLOORING ADHESIVE LABEL. The information given here is for typical installation. Adjust it according to adhesive manufacturer's instruction.
- Dry-lay means the glue has to set before placing floor planks in it. Wet-lay means the glue does not need to set before placing floor on it.
- Use trowel design as specified by adhesive manufacturer.
- Continuously check the transfer of adhesive THROUGHOUT the installation process. If the adhesive no longer transfers to the back of the flooring material, it must be removed and new adhesive applied.
- Work your way out of the room.
- After the installation is completed, keep the floor free from daily foot traffic for a minimum of 24 hours to allow adhesive to properly cure.

Cutting the Last Row to Width

- Most often the entire length of the last row will need to be cut so that it is narrow enough to fit the remaining space.
- Measure the distance between the floor face edge (exclude the tongue) to the wall. Subtract 3/4" from this measurement for expansion gap. Draw a line. Cut through the line. Discard the excess piece. Proceed with installation.

Pre-install Activities

- Lay out the board from several cartons. Rack the boards to give you the appearance you want. Colors and shades should be mixed up evenly. End joints should be staggered; minimum ends stager is 6" and varied.

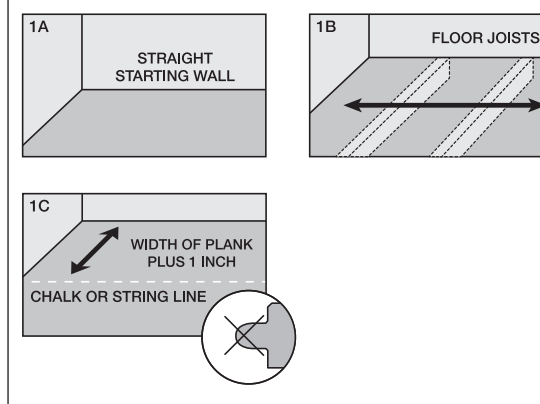


- Inspect plank quality and grading. Do not mix lot numbers without checking for color match. If flooring is defective, contact dealer or the store immediately and discontinue installation.
- Lay out trim moldings in advance and find planks or strips whose shade closely coordinates the floor. Set these aside for future use.
- Remove existing base, shoe molding or threshold carefully. They can be used to cover the 3/4" expansion gap left around the edge of the room.
- Subfloors should be clean prior to the floor installation.
- Undercut doors and casings using a handsaw laid flat on a piece of scrap flooring. This will eliminate difficult scribe cuts.
- Install the underlayment (if used) parallel to the flooring according to underlayment manufacture instructions. Any overlap (top) should be on the same side as the groove of the flooring so that the floor planks will slide smoothly into place. Tape all seams. Secure the underlayment material as necessary to prevent excessive movement.
- Always use protective foot/pad and proper height adapter plate on the fastening machine to prevent face damage, mallet damage, and edge bruising.
- TEST FIRE THE POWER NAILER ON SACRIFICIAL FLOOR PLANK ONTO A BOARD. CHECK NAIL PENETRATION. CHECK FOR IMPACT DAMAGE ON FLOOR FACE. CHECK FOR SPLITTING TONGUE.

Nail Down Installation

Step 1 – Establish a Starting Line

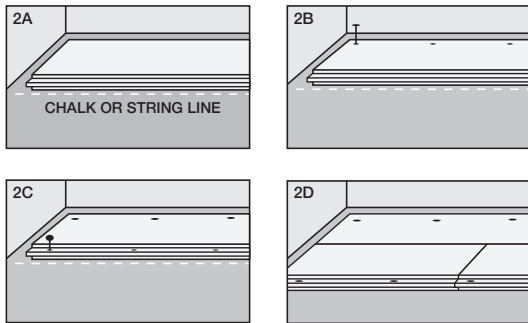
- Lay out the direction of the floor. Install flooring perpendicular to joists. If it is to be in parallel to the joist, reinforce subfloor with a layer of 1/2" CDX ply.
- Select a straight starter wall.
- Mark the starting line using a chalk line or a string between two nails. This distance between the wall and the line should equal the face width of floor plank plus 1" (3/4" expansion gap plus 1/4" standard tongue width = 1"). Do not include the width of the tongue. This will result in 3/4" expansion gap between flooring and the wall.



8" X 20" - English Solid Bamboo Flooring - Back - 3/10/14 - A

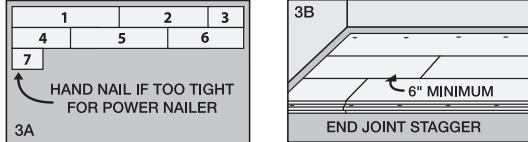
Step 2 – Install the First and Second Rows

- Lay the first plank behind the line with the tongue facing the center or the room. Position the edge of the tongue on the line. Leaving a 3/4" gap between flooring end and the wall.
- On the groove side, pre-drill and face nail.
- On the tongue side, pre-drill at 45° angle and hand blind nail through the nailing "pocket" on top of the tongue.
- Counter sink the nails with nail set. Repeat same method to complete first row.
- On the second row, if you can safely use your power nailer, use it. If not: pre-drill the tongue at 45° angle and repeat hand blind nailing with finish nails as above. Remember to stagger the end joints.



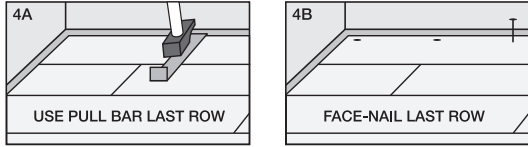
Step 3 – Install the Remaining Rows

- If the pneumatic or power nailer cannot be used on the next row, repeat the second row installation method until the power nailer can be used.
- When the pneumatic nailer can be used, blind nail the rows on the tongue side. Place nails at the same intervals as the previous rows.
- Remember to maintain minimum 6" end joints stagger between rows.



Step 4 – Install the Last Row

- Use the pull bar to draw the last row to fit tightly to the previous row.
- Face-nail the last row on the tongue side.
- If the last row is less than 1" wide, it should first be glued to the previous uninstalled row and the two joined unit should be face nailed as one.

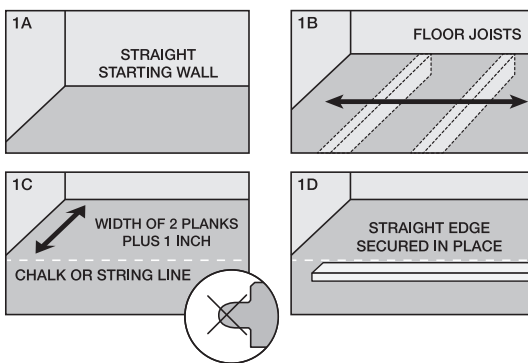


Glue Down Installation

PLEASE NOTE: ANY EXCESS GLUE WHICH SEEPS ONTO THE SURFACE OF THE FLOOR MUST BE REMOVED IMMEDIATELY WITH ADHESIVE REMOVER

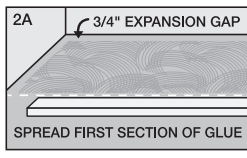
Step 1 – Establish a Starting Line

- Lay out the direction of the floor. If it is to be in parallel to the joist, reinforce subfloor with a layer of 1/2" CDX ply.
- Select a straight starter wall.
- Mark the starting line using a chalk line or a string between two nails. This distance between the wall and the line should equal the width of 2 floor planks (face width only) plus 1" (3/4" expansion gap plus 1/4" standard tongue width = 1"). Install a straight edge parallel to the starter wall to ensure straight alignment of starter rows.



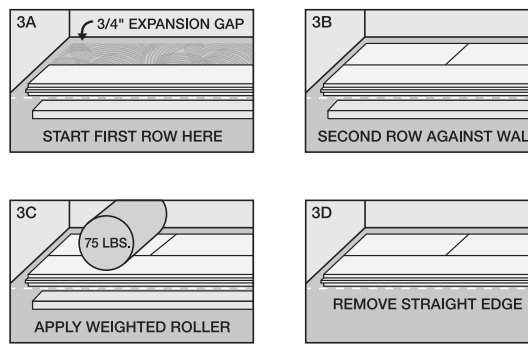
Step 2 – Spreading the Glue

- Spread the glue from the straight edge or chalk line out, in the direction of the starting wall. Spread only enough glue to install what can be set within 45 minutes (15 minutes of OPEN TIME and an additional 30 minutes for actual installation. Usually about two rows width coverage). Different manufacturer may require different open time and set time.
- You will repeat the same procedure with each succeeding rows.



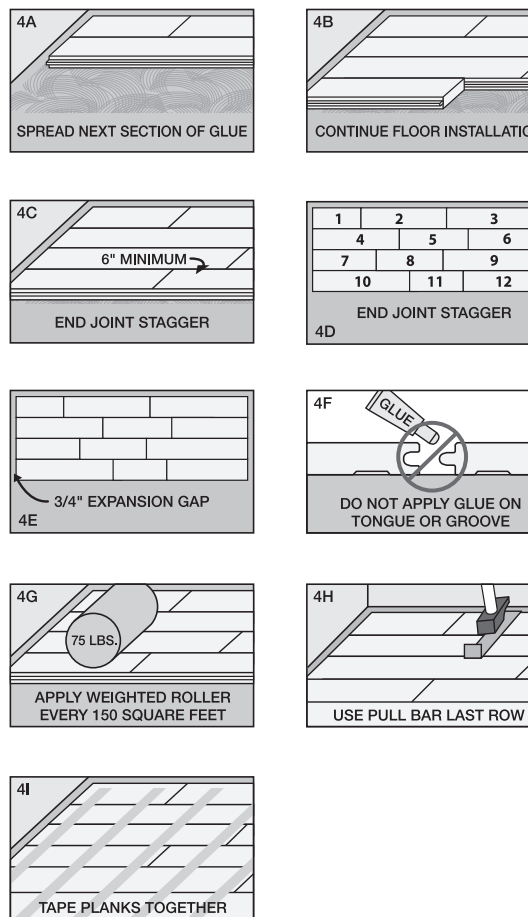
Step 3 – Install the Starter Rows (first two rows)

- Installation begins from the straight edge with tongue facing away from the wall. Allow expansion gap between the wall and the end of the board.
- Install the second starter row. Use 75 pound roller or weigh them down while the glue sets. Allow the glue to set.
- Remove the straight edge.



Step 4 – Install the Remaining Rows

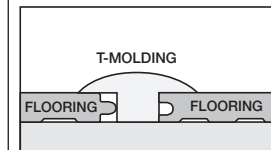
- Spread another section of glue. Never spread more that can be covered before the adhesive is set. If adhesive is set and will not transfer to the back of the plank, scrape off the adhesive and apply fresh adhesive.
- Continue to install the next rows. Make sure there is a random staggering at the end joints of at least 6" apart.
- Be attentive to staggering the ends of the boards correctly in adjacent rows to avoid clustering end joints.
- Ensure that a 3/4" expansion gap is maintained around the perimeter of the room.
- Make sure that there is 100% adhesive contact between the underside of the planks and subfloor.
- Any excess glue which seeps onto the surface of the floor must be removed immediately with adhesive remover. The glue should not be applied in the groove or the tongue of the flooring.
- Tap the planks together until the tongue and groove "snap" into place. Be careful NOT to damage the face of the planks.
- Use a clean, smooth, 75 pound roller to roll the flooring immediately after installation and after every 150 square foot interval during the installation to insure proper adhesive transfer.
- The flooring should be taped together during installation using 3M blue masking tape to keep the planks from moving during installation. The tape must be left in place for a minimum of 24 hours. Flooring straps can be used to pull boards together and hold them in place while the glue dries.
- After the installation is completed, keep the floor free from foot traffic for a minimum of 24 hours to allow adhesive to properly set.



Finishing Touches

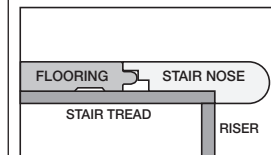
- Clean the floor.
- Use matching putty where necessary.
- Install or reinstall all wall trim pieces. Nail them through the wall, but not to the subfloor to avoid restricting the expansion gap.
- Install transition trim pieces. Nail them to the subfloor, not the flooring.
- At doorways, transitions should be used to protect the edges of the floor and to provide a decorative transition from one floor type to another.
- If the floor is to be covered, use a breathable material such as cardboard. Do not cover with plastic.

Accessories: Pictures are for general illustrative purposes only. Actual products may differ from picture.



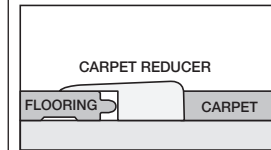
T-Molding

Used to create a transition between floor coverings of similar heights or to cover an expansion gap.



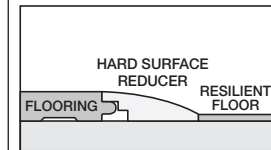
Stair Nose

Used in conjunction with flooring installed on stair steps or finished edge of a higher level floor like in a sunken living room.



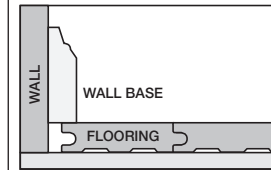
Carpet Reducer

(also called Baby Threshold or End Cap) is used to transition floor coverings of differing heights. This reducer strip is also commonly used to border a fireplace, sliding glass door and other exterior door jambs.



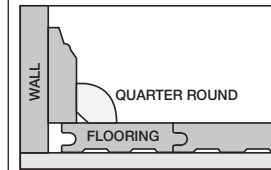
Hard Surface Reducer

Used to transition to another hard surface flooring of different heights such as tile, vinyl, concrete.



Wall Base

Used to give a finished look at the base of the walls. It can be used with or without Quarter Round.



Quarter Round

Used to cover the expansion space between the Wall Base and your flooring. It can also be used them to make smooth transitions between the floor and cabinetry. It can be used with or without Wall Base molding.

Technical Support

For installation information and technical questions not covered in this installation guide, please contact our Technical Support Representative by calling the toll free number below.

Toll Free Number: 1-877-630-1800

Care and Maintenance

Daily Maintenance

1. Sweep dust mop or vacuum your floor regularly to remove any particles that could cause abrasion or scratch your floor. CAUTION: Vacuums with a beater bar or power rotary brush head can damage a floor and should never be used.
2. Use a damp mop to remove spots and soil. Apply appropriate cleaning solution to the cleaning cloth / mop. Do NOT apply directly to the floor.
- For lightly soiled area, clean with distilled water.
- For moderately soiled area, use a mild solution of isopropyl alcohol and distilled water. Isopropyl alcohol is commonly referred to as rubbing alcohol and is sold in 50% to 70% concentrations. This product should be diluted by mixing one part alcohol and 2 parts distilled water.
- For tougher spots, use a higher concentration of isopropyl alcohol and distilled water.
- For extreme cases, a solution of nail polish remover and distilled water can be used. HINT: For best results, clean the floor in the same direction of the planks. When the cleaning cloth/mop becomes soiled, rinse or replace it with a clean one. Following up with a clean, dry cloth will remove residual streak marks and spots.
3. Do NOT leave any amount of liquids (water, juice, soft drinks, spills, etc.) on the floor. Clean any wet spots immediately.
4. Do NOT use a steam cleaner.
5. Do NOT use a wet mop or douse floor with water or liquid cleaners. Liquid can seep between the cracks and cause moisture damage.
6. Do NOT use any cleaning agents containing wax, oil or polish. Left over residue will form a dull film.
7. Do NOT use steel wool or scouring powder which will scratch the floor.

Branded or Off-the-Shelf Floor Care Products

- If none of the above are effective and you choose to use a store bought product, test the product in a non-conspicuous area (i.e., closet, corner, or scrap pieces) for potential adverse side effects.

Preventative Maintenance

- Protect your floor when using a dolly for moving furniture or appliances. Protective sheets and/or plywood may be needed. Never slide or roll heavy furniture or appliances across the floor.
- Place protective pads beneath furniture legs and other heavy objects.
- Avoid excessive exposure to water from being tracked in during periods of inclement weather.
- Minimize abrasive material and dirt by placing mats on both sides of exterior doors and by using area rugs in high-traffic areas.
- Rearrange furniture and rugs periodically to avoid uneven color and shade changes from light exposure.
- Use protective mats beneath rolling chairs and keep furniture casters clean.
- Keep pets' nails trimmed.
- Remove shoes with cleats, spikes or exceptionally pointy heels before walking on the floor.

Climate Maintenance

- Care should be taken to control humidity levels within the 35% - 55% range. Flooring, especially hardwood and bamboo, dimensions will be affected by varying levels of humidity.
- Dry Climates: A humidifier is recommended to maintain humidity levels. Wood stoves and electric heat tend to create very dry conditions during the winter months this also will cause shrinkage in flooring.
- Humid, Wet Climates: By using an air conditioner, heater, or dehumidifier proper humidity levels can be maintained to prevent excessive expansion due to high moisture content.

Floor Repair

- Very light and small surface scratches can be repaired with a staining "touch up" pen of the appropriate color.
- Slightly deeper scratches can be repaired by means of colored putty and or stains. Fill the scratches with the putty. Level with putty knife. Wipe off excess putty.
- Very deep scratches may require the replacement of the planks.

Warranty

This flooring product comes with the manufacturer Limited Wear Warranty. The warranty applies to original purchaser of the flooring. It warrants the original purchaser that the finish surface will not wear through for duration of the stated warranty from the date of purchase. Please contact our Customer Service Representative by calling our toll free number or send in the warranty registration below for a written copy which provides detail terms of coverage and limitations.

WARRANTY REGISTRATION

UPON RECEIPT OF THIS REGISTRATION FORM AND COPY OF RECEIPT, WE WILL SEND YOU A WRITTEN WARRANTY DOCUMENT. SEND THE COMPLETED FORM ALONG WITH A COPY OF PROOF OF PURCHASE TO:

HOME DEPOT
2455 PACES FERRY RD., N.W.
ATLANTA, GA 30339
1-877-630-1800.

Customer Name	
Customer Address	
City, State, ZIP Code	
Phone/E-mail	
Product Model Number	
Product Description	
Date Purchase	
Retailer Name	
Retailer Address	
City, State, ZIP Code	
Installer	