

The new ALL-PRO™ LED Wall Pack Series incorporates advanced LED technology and optical design to bring you a slim-profile luminaire with uncompromising performance.

LED Wall Pack is a dependable and reliable security solution that provides the versatility of nighttime ON and daytime OFF or continuous operation.

LED lighting provides the ability to truly install the fixture and walk away.

LED Wall Pack

- Perfect for 8' - 15' mounting height applications
- Brilliant white 5000K color temperature
- Versatile mounting options - Wall or Ground
- Area coverage equivalence up to 100W Metal Halide
- Perfect for illuminating residential, light commercial, apartments and hotel buildings
- 5 year warranty



Dusk to Dawn

Floodlight

MODEL#	PRODUCT DESCRIPTION	UPC	UNIT CARTON DIMENSIONS (IN.)	MASTER CARTON	MASTER CARTON DIMENSIONS (IN.)
WP1050L	1000 Lumen Flood	0 80083 72066 8	6.49"W x 7.87"H x 3.93"D	2Pk	8.63"W x 8.56"H x 7"D
WP1050LPC	1000 Lumen Dusk to Dawn	0 80083 72067 5	6.49"W x 7.87"H x 3.93"D	2Pk	8.63"W x 8.56"H x 7"D
WP1850L	1600 Lumen Flood	0 80083 71985 3	6.49"W x 7.87"H x 3.93"D	2Pk	8.63"W x 8.56"H x 7"D
WP1850LPC	1600 Lumen Dusk to Dawn	0 80083 72027 9	6.49"W x 7.87"H x 3.93"D	2Pk	8.63"W x 8.56"H x 7"D

LED Trunnion Mount Kit

- Adjustable heavy-duty steel trunnion
- Supplied with 12" electrical whip
- Wet location rated for outdoor use



LED Trunnion Mount Kit

MODEL#	PRODUCT DESCRIPTION	UPC	UNIT CARTON DIMENSIONS (IN.)	MASTER CARTON	MASTER CARTON DIMENSIONS (IN.)
WPFLD-TRN	LED Wall Pack Floodlight Kit	0 80083 72492 5	5.71"W x 5.12"H x 2.56"D	4Pk	11.02"W x 6.1"H x 6.53"D



Powering Business Worldwide

Eaton
1121 Highway 74 South, Peachtree City, GA 30269

© 2015 Eaton. All Rights Reserved. Publication No. SA502018EN. September 2015
www.eaton.com/lighting

LED Wall Pack

- Versatile Ground Mount Wall Options
- Dusk to Dawn versions feature integrated photocell



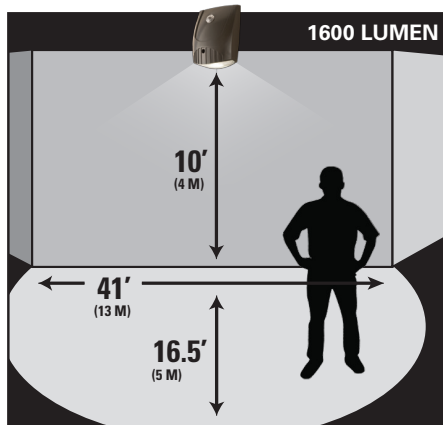
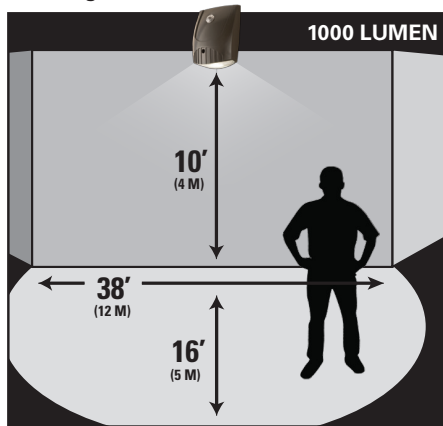
Versatile wall mount options

MODEL#	VOLTAGE	POWER	LUMENS	EFFICACY LUMEN/WATT	LED CCT
WP1050L/WP1050LPC	120V	12.3W	1000	81.3	5000K
WP1850L/WP1850LPC	120V	18.7W	1600	85.6	5000K



Ground mount floodlight kit (Part # WPFLD-TRN) sold separately

Coverage Area



Features

Mounts easily to recessed junction box; cover plate included

Integral photo control provides nighttime ON Daytime OFF

Die-cast aluminum

Maintenance-free LEDs with 50,000 hours of life



T24 Can be used to comply with California Title 24 High Efficacy requirements
T20 Certified to California Title 20 Appliance Database