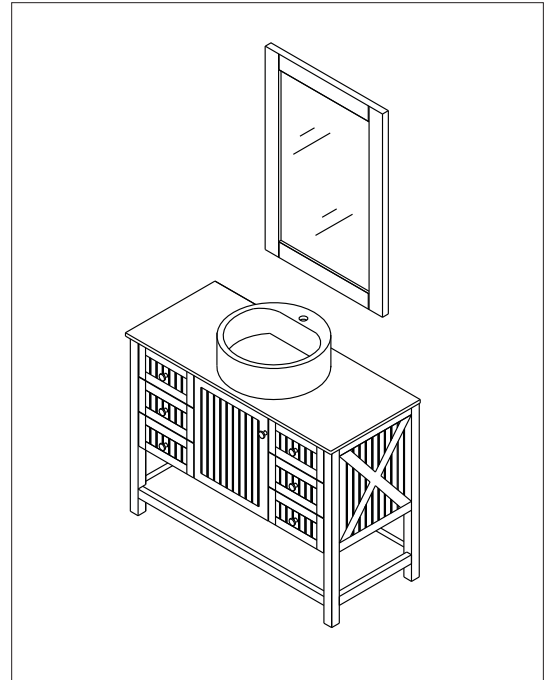
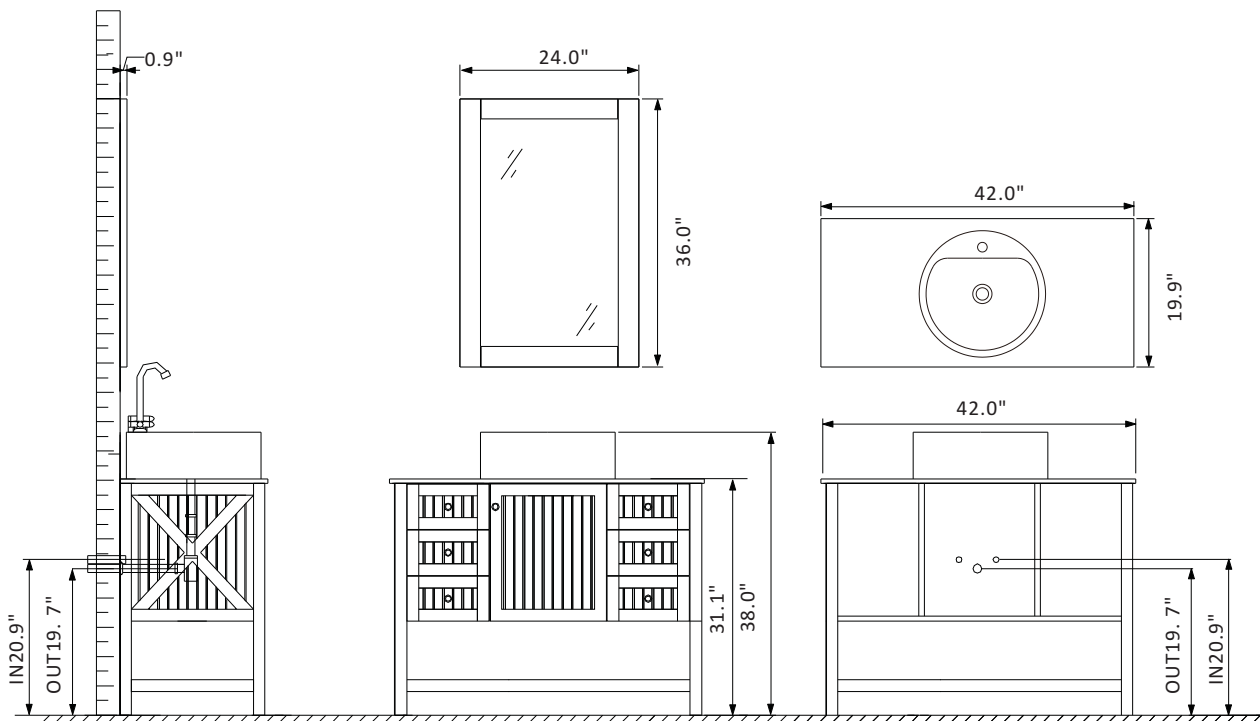


MODEL: 756042

- Please check your product packaging to make sure the included accessories are in the “list of standard accessories”. If any parts are missing, please contact your local dealer immediately.
- Do not allow any sharp objects to come in contact with the cabinet, as it will scratch the surface.
- Continuous and prolonged exposure to direct sunlight may cause discoloration to the wood.
- Do not put any hot appliances directly on or near the cabinet.
- Please avoid using cleaning products that contain bleach or ammonia.
- Wood surfaces should only be cleaned with wood care products such as soapy water or furniture polish.

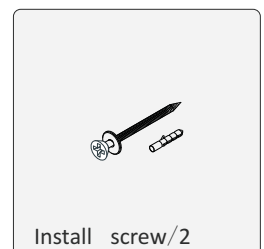
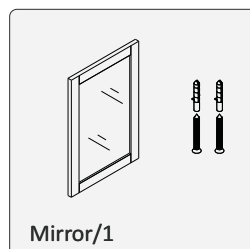
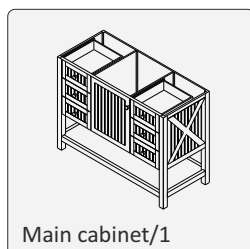
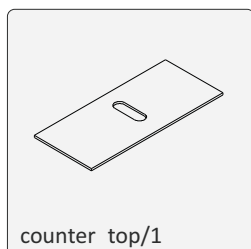


INSTALLATION

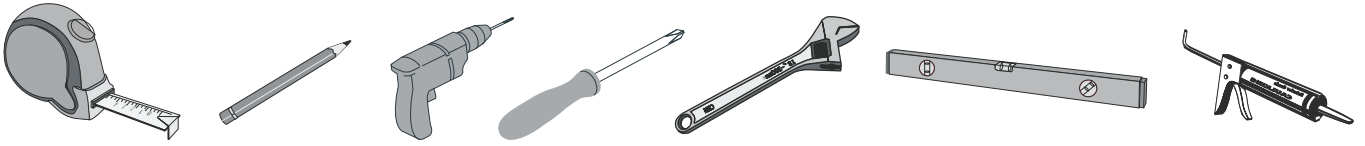


MAIN BODY PARTS

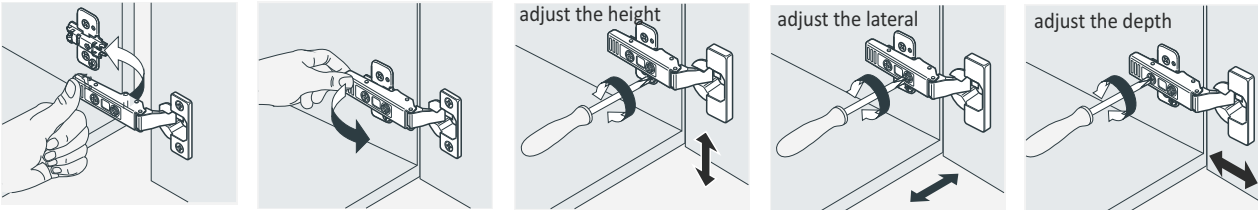
INSTALLATION PARTS



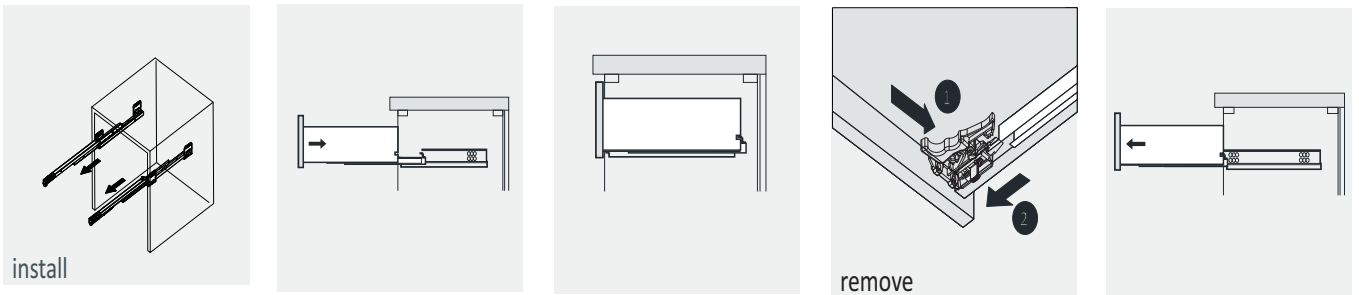
ERECTING TOOL



INSTALL, REMOVE, ADJUST OF TOP FAST LOADING HINGE



DRAWER'S ADJUST



INSTALLATION INSTRUCTIONS

