



Item #  
Model # UAT-H-26051

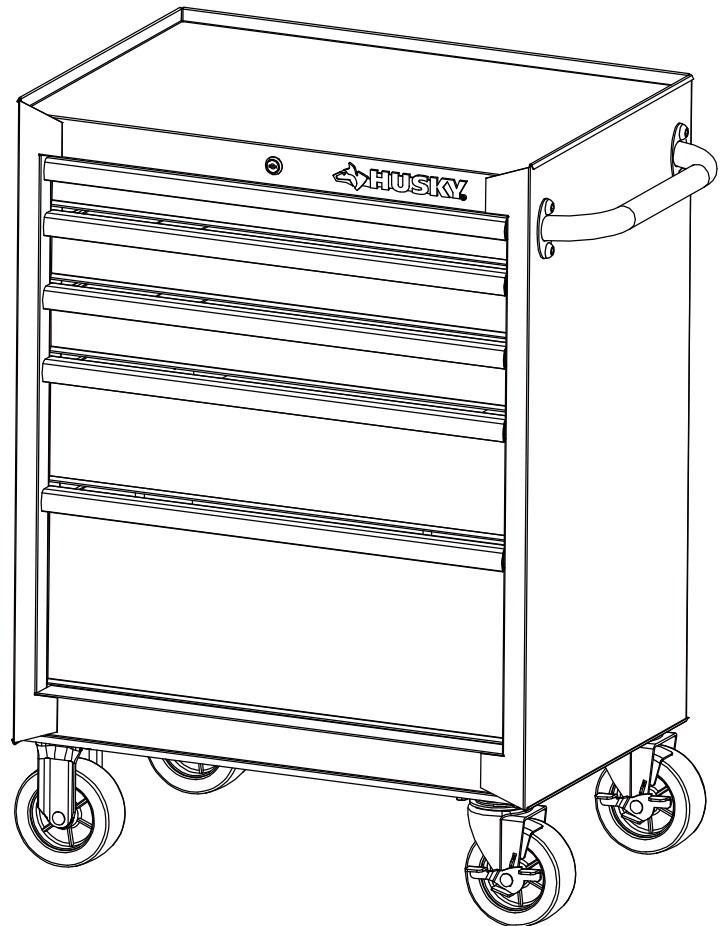
## USE AND CARE GUIDE

### 5 DRAWER TOOL CABINET

Questions, problems, missing parts?  
Before returning to the store, call  
Husky Customer Service  
8 a.m – 7 p.m., EST, Monday-Friday  
9 a.m – 6 p.m., EST, Saturday

1-888-HD-HUSKY

HUSKYTOOLS.COM



---

#### **THANK YOU**

*We appreciate the trust and confidence you have placed in Husky through the purchase of this cabinet. We strive to continually create quality products designed to enhance your home. Visit us online to see our full line of products available for your home improvement needs. Thank you for choosing Husky!*

# Table of Contents

Table of Contents.....	2	Assembly .....	5
Safety Information .....	2	Operation .....	5
Warranty .....	3	Maintenance .....	6
Specifications .....	3	Replacement Parts .....	6
Package Contents.....	3		
Hardware Included.....	3		
Alternative Tools For Assembly (Not Included) .....	3		

## Safety Information

1. Do not pull this unit, push it when moving.
2. Use the brakes when this product is not being moved. This prevents the product from rolling.
3. Secure this product properly before moving it with a forklift.
4. Do not tow the product with power equipment.
5. Do not alter this product in any manner. For example, do not weld external lock bars or attach electrical equipment.
6. When locking a cabinet, close the drawers completely in order for the rear lock bars to work properly.



**CAUTION:** Keep the product on level surfaces. The product may become unstable and tip if stored or moved on an unlevel surface, which may cause personal injury or product damage.



**CAUTION:** Lock the drawers before moving this product. The drawers could come open and make the product unstable and tip, which may cause personal or product damage.



**CAUTION:** Do not attach or mount this product to a vehicle. This may cause personal injury or product damage. Mounting this product to any vehicle in any manner will void warranty.



**CAUTION:** Do not stand on this product. You may fall which may cause personal injury.



**CAUTION:** Be careful when opening more than one drawer. The product may become unstable and tip, which may cause personal injury or product damage.

# Warranty

The manufacturer warrants the product to be free from defects in materials and workmanship for a period of three (3) years from date of purchase. This warranty applies only to the original consumer and only to products used in normal use and service. If this product is found to be defective, the manufacturer's only obligation, and your exclusive remedy, is the repair or replacement of the product at the manufacturer's discretion, provided that the product has not been damaged through misuse, abuse, accident, modifications, alteration neglect or mishandling. This warranty shall not apply to any product that is found to have been improperly installed, set-up, or used in any way not in accordance with the instructions supplied with the product. This warranty shall not apply to a failure of the product as a result of an accident, misuse, abuse, negligence, alteration, faulty installation, or any other failure not relating to faulty material or workmanship. This warranty shall not apply to the finish on any portion of the products such as surface and/or weathering, as this is considered normal wear and tear.

The manufacturer does not warrant and specifically disclaims any warranty, whether express or implied, of fitness for a particular purpose, other than the warranty contained herein. The manufacturer specifically disclaims any liability and shall not be liable for any consequential or incidental loss or damage, including but not limited to any labor/expense costs involved in the replacement or repair of said product.

Contact the Customer Service Team at 1-888-HD-HUSKY or visit [www.huskytools.com](http://www.huskytools.com).

# Specifications

Maximum weight per (cabinet drawer)	100 lbs.
Casters support up to	1000 lbs.



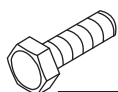
**NOTE:** Begin product assembly close to the final intended location of your cabinet. This product is heavy and may be difficult to move after assembly.

# Package Contents

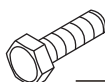
## HARDWARE INCLUDED



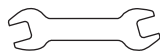
**NOTE:** Hardware not shown to actual size.



AA



BB



CC

## ALTERNATIVE TOOLS FOR ASSEMBLY (Not Included)



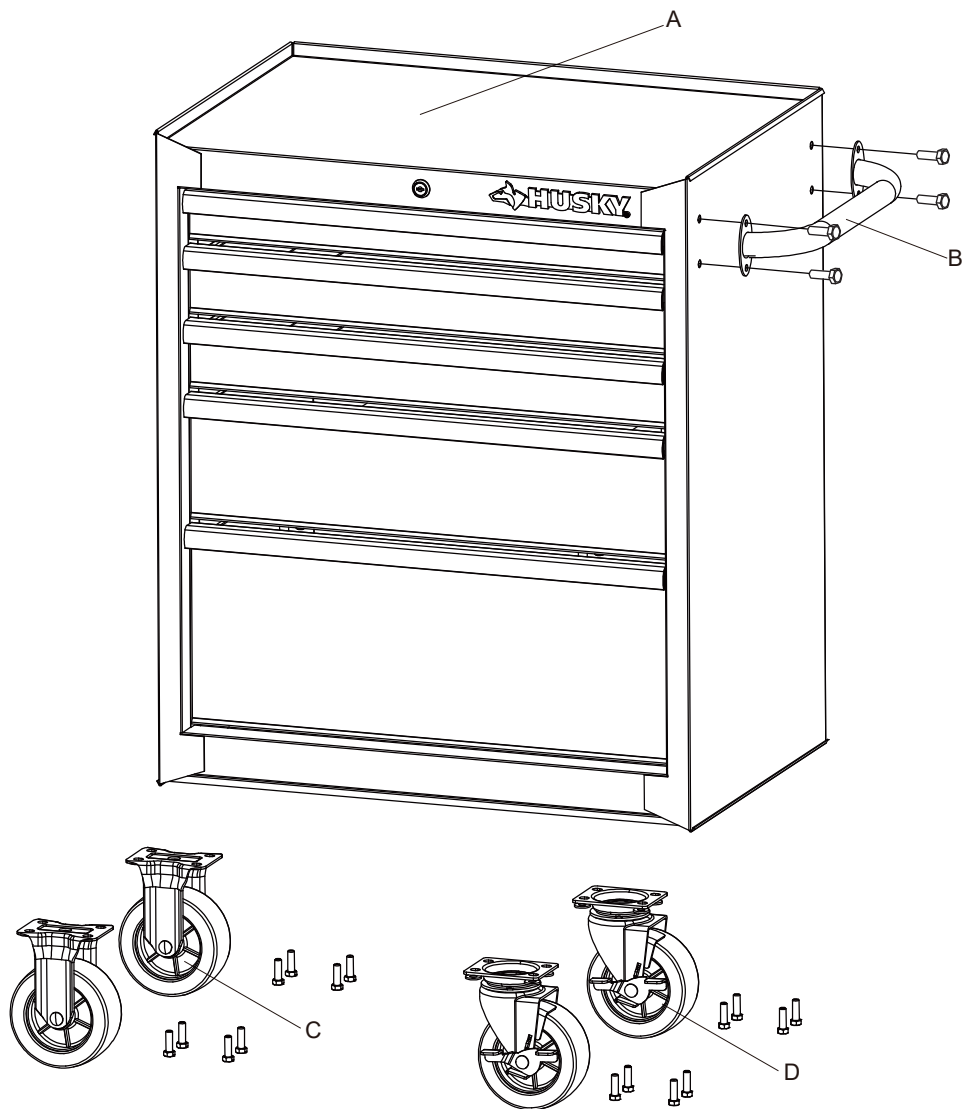
\*12 mm wrench or socket

Part	Description	Quantity
AA	M8 x 25 bolt	16
BB	M6 x 16 bolt	4
CC	Wrench	1

# Package Contents (continued)



**NOTE:** Keys are inside top drawer.



Part	Description	Quantity
A	Cabinet	1
B	Cabinet handle	1
C	Fixed caster	2
D	Swivel caster	2

# Assembly



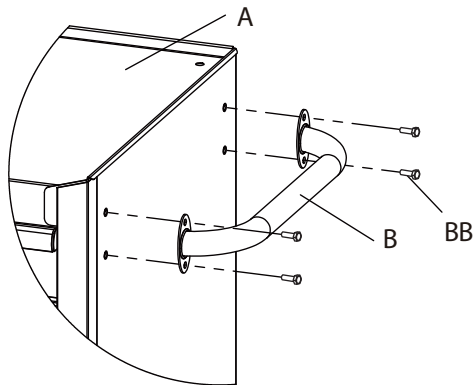
**CAUTION:** Two people are recommended for assembly.

## 1 Attaching the cabinet handle

- Position the cabinet handle (B) over the holes on the cabinet (A).
- Attach with the bolts (BB) and tighten with supplied hex key (CC).



**NOTE:** The holes in the cabinet are tapped and do not require nuts.

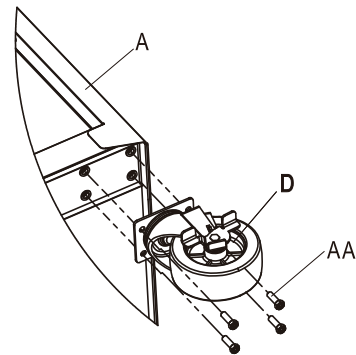


## 2 Attaching the casters

- Be sure the drawers are locked and lay the cabinet (A) on its top. Use packaging material to protect the finish.
- Attach the swivel casters (D) to the unit, on the same side as the handle, inserting bolts (AA) through the swivel casters (D) and into the cabinet (A).
- Tighten with supplied hex key (CC) or 12 mm wrench/socket.
- Repeat this process for the fixed casters (C) on the opposite side of the cabinet (A).
- Return the cabinet (A) to its upright position.



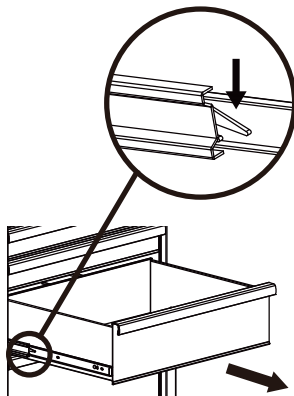
**CAUTION:** Do not over tighten the bolts.



# Operation

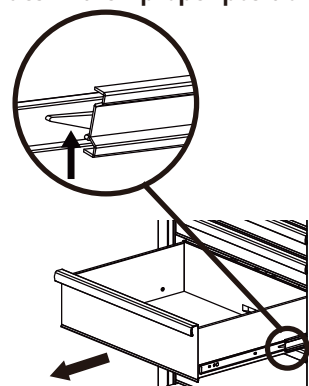
## 1 Removing the drawers

- Fully extend the empty drawer.
- Push up the one release lever while pulling down on the other release lever.
- Pull the drawer outward until it is released from the drawer slide.



## 2 Re-inserting the drawers

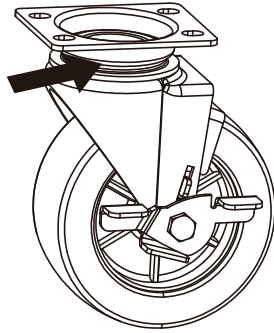
- Extend the drawer slides.
- Insert the brackets on each side of the drawer into the slots in the slides, being careful that they are properly positioned.
- Once properly inserted, completely close the drawer to set the slides in their proper positions.



# Maintenance

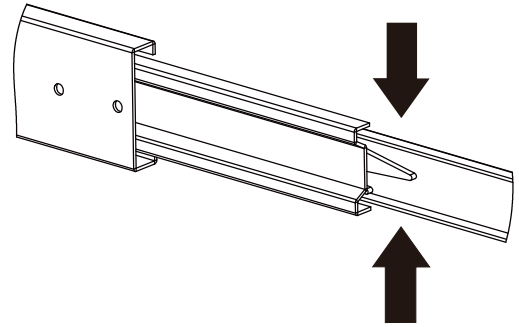
## 1 Caster maintenance

- Grease the casters annually using high-quality bearing grease.



## 2 Drawer maintenance

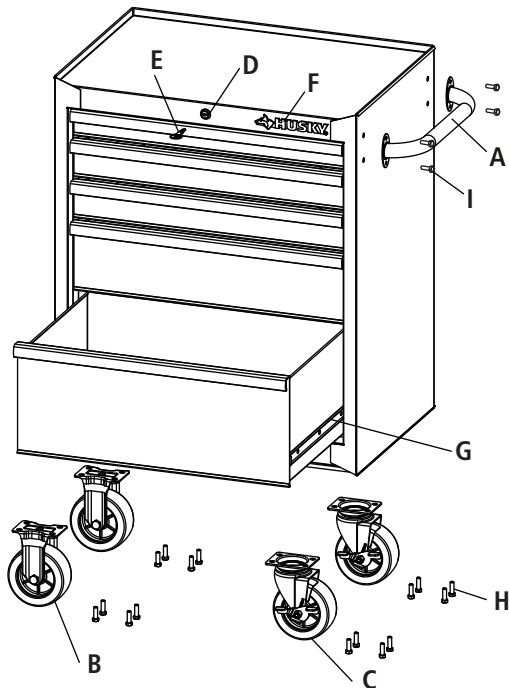
- Lubricate the slides semi-annually.



- Periodically clean the drawer fronts, drawer trim, and other surfaces with a mild detergent and water.
- Auto wax preserves the storage unit's luster finish and protects against scratches. Apply the wax as you would on a car.
- Remove grease and oil with a standard nonflammable cleaning fluid.

# Replacement Parts

For assistance with replacement parts please call 1-888-HD-HUSKY.



Part	Description	Quantity
A	Cabinet Handle	1
B	Fixed Caster	2
C	Swivel Caster	2
D	Lock	1
E	Key	2
F	Badge	1
G	Drawer Slide	10
H	Caster Bolt	16
I	Handle Bolt	4



Questions, problems, missing parts? Before returning to the store call  
Husky Customer Service  
8 a.m. - 7 p.m., EST, Monday-Friday  
9 a.m. - 6 p.m., EST, Saturday

**1-888-HD-HUSKY**

**HUSKYTOOLS.COM**

Retain this manual for future use.