

Cleanup (cup mode)

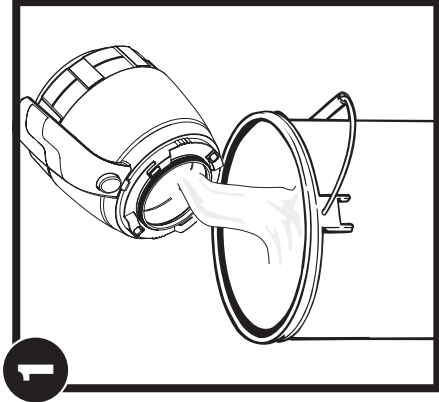
Start

You will need:

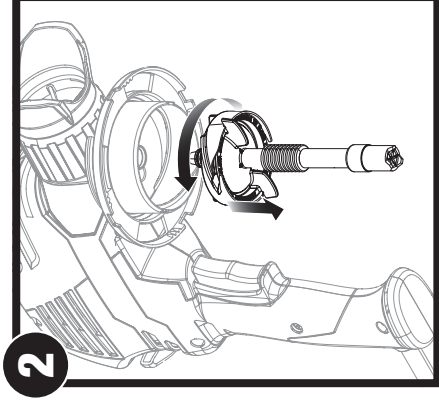
- Waste container
- Cleaner nozzle and lubricant
- Warm soapy water if you sprayed latex materials
- Mineral spirits if you sprayed oil-based materials

! **Make sure you clean the sprayer in a well-ventilated area whenever cleaning with flammable solvents.**

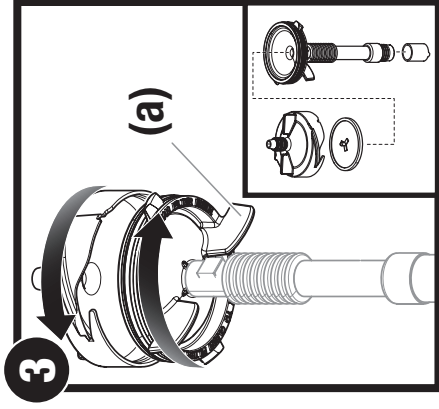
! **The sprayer contains electrical parts. DO NOT submerge the sprayer into any liquids.**



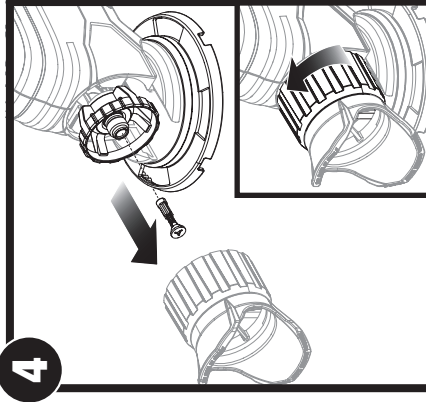
1. Unplug the sprayer. Pour the remaining material back into the original container. Rinse the inside of the cup with the appropriate cleaning solution.



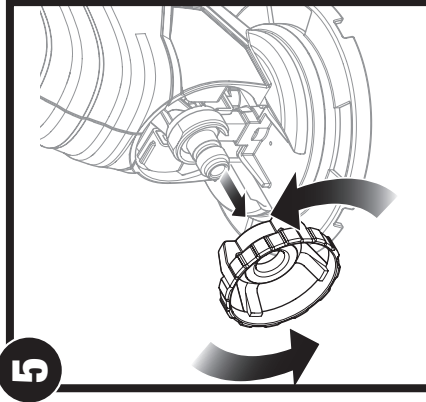
2. Remove the suction tube and filter assembly.



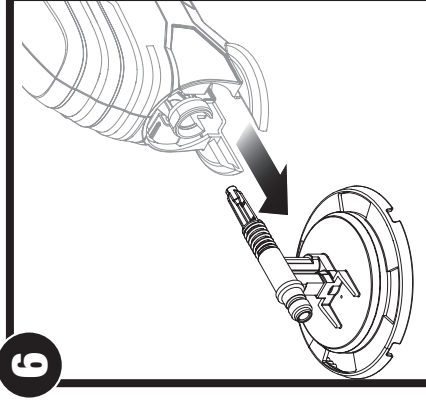
3. Disassemble the suction tube and filter assembly.
Note: The threads on the bottom housing (a) are left-handed. You will need to turn the bottom housing to the **right** in order to remove it.



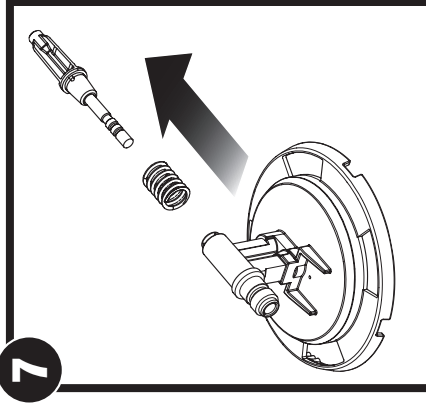
4. Turn the tip nut clockwise and remove the adjustable spray tip assembly. Pull the atomizer valve out, being careful not to lose it.



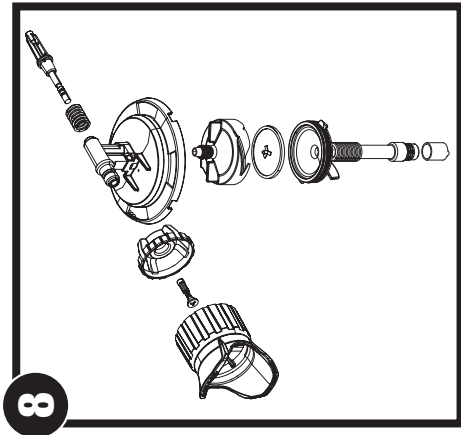
5. Turn the locking nut counter-clockwise until it is removed.



6. Slide the pump housing off the sprayer.

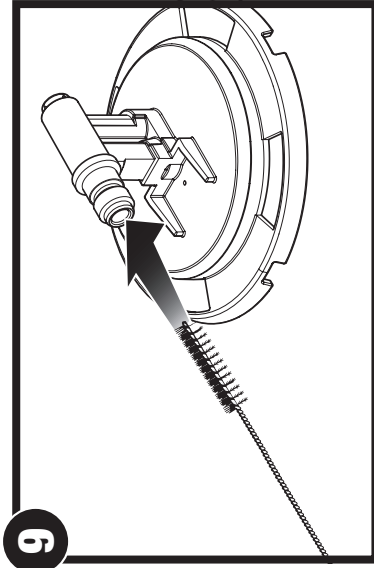


7. Remove the spring and piston from the pump assembly.



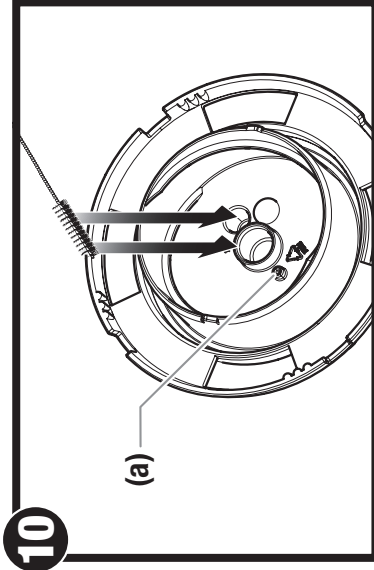
8

8. Clean all parts thoroughly with the brush provided using a solution appropriate to the type of material you sprayed.



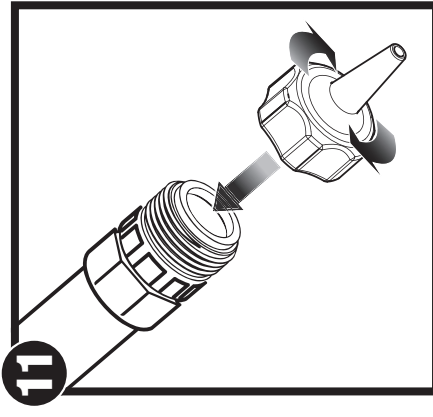
9

9. **IMPORTANT:** Make sure to completely remove all material from the inside of the piston chamber by scrubbing with the brush. Even a small amount of material can dry like glue and keep the piston from moving, causing damage to the sprayer.



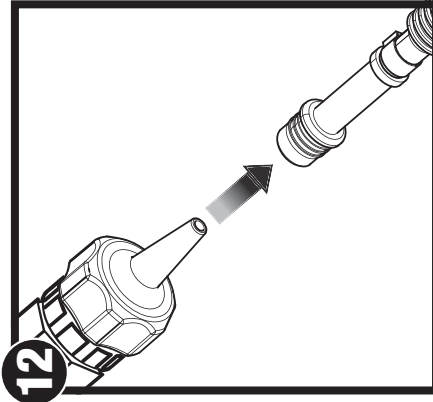
10

10. **IMPORTANT:** Make sure to keep the vent hole (a) on the pump housing clean and unblocked or a vacuum can build up in the container and cause damage to the sprayer. A toothpick or straightened paper clip can be used to clean it.



11

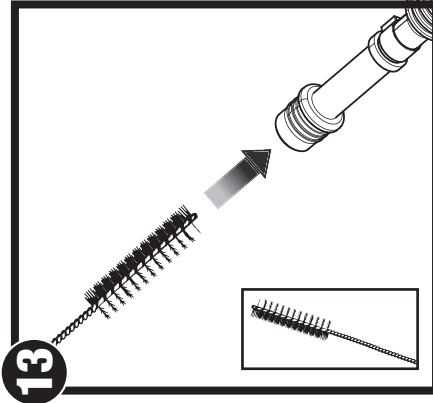
11. Thread the cleaner nozzle onto a garden hose.



12

12. Insert nozzle into the end of the suction tube and place into a waste container. Turn on the water and flush the suction tube until clean.

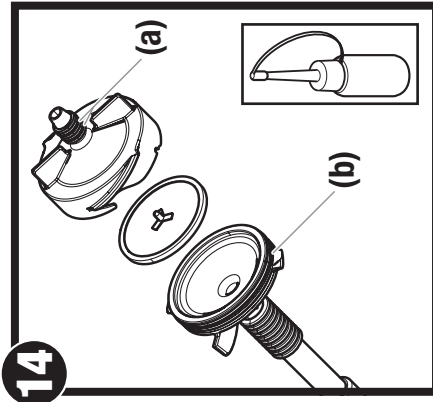
LATEX MATERIALS ONLY



13

13. Using the cleaning brush and mineral spirits, clean out the inside of the suction tube.

OIL-BASED MATERIALS ONLY



14

14. Lubricate the O-rings as shown with the included lubricant. Reassemble the filter assembly.

Cleanup (remote suction hoses / backpack kit)

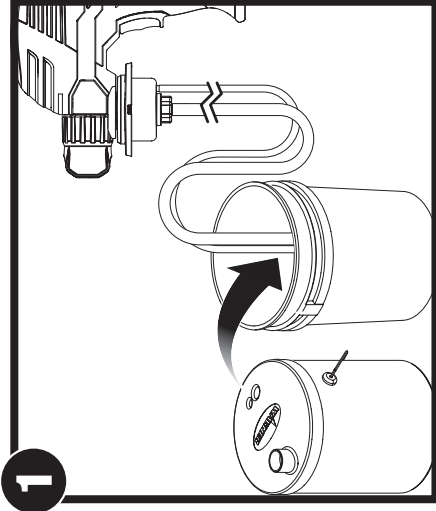
Start

You will need:

- Waste container
- Cleaner nozzle
- Warm soapy water if you sprayed latex materials
- Mineral spirits if you sprayed oil-based materials

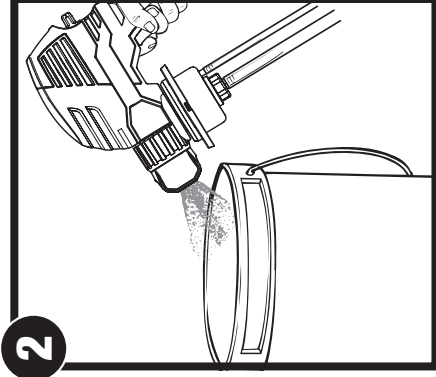
! Make sure you clean the sprayer in a well-ventilated area whenever cleaning with flammable solvents.

! The sprayer contains electrical parts. DO NOT submerge the sprayer into any liquids.



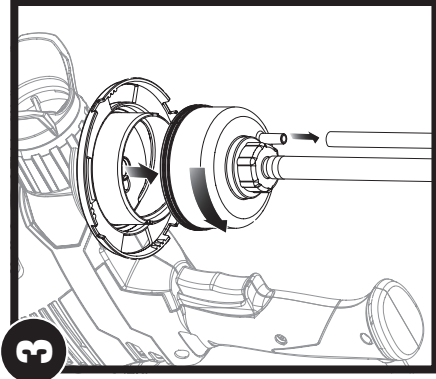
1

1. Unplug the sprayer.
Remove the remote suction set from the material container / backpack assembly and submerge into a container of the solvent appropriate to the type of material you sprayed.



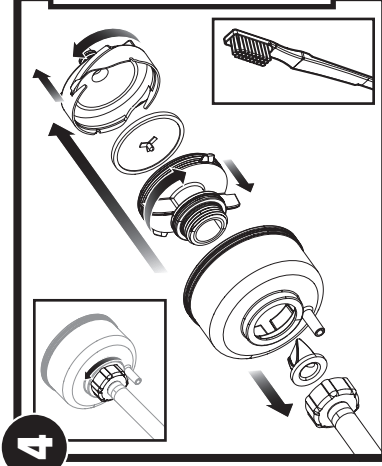
2

2. Plug in the sprayer.
Squeeze the trigger and spray into a waste container until the cleaning solution comes through the sprayer for a couple of minutes.



3

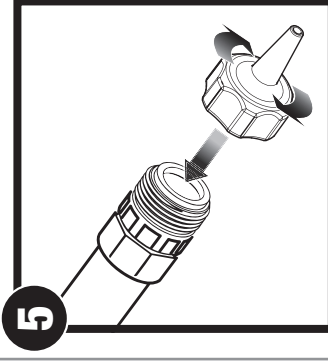
3. Unplug the sprayer.
Remove the remote suction set housing from the sprayer.
Remove smaller return hose from suction set housing.



4

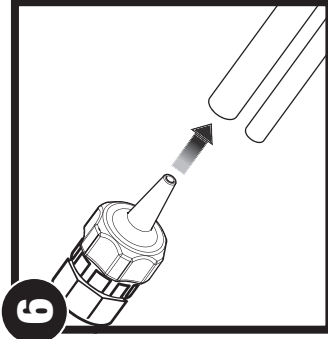
4. Disassemble the remote suction set housing.
Clean all parts by hand using the cleaning brush and the appropriate cleaning solution.
Reassemble.

LATEX MATERIALS ONLY



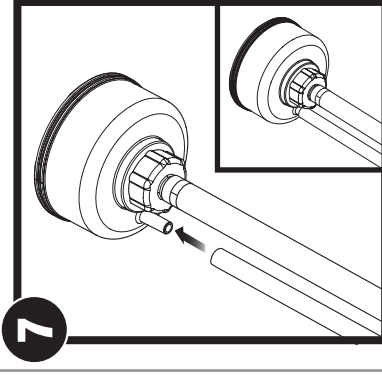
5

5. Thread the cleaner nozzle onto a garden hose.



6

6. Insert nozzle into one of the remote suction hoses.
Place the other end of the hose into a waste container.
Turn on the water and flush the hose until clean.
Repeat for the other hose.



7

7. Reattach the smaller return hose to the dual hose fitting.
Follow steps 4-10 in **Cleanup - Cup Mode** (page 12).

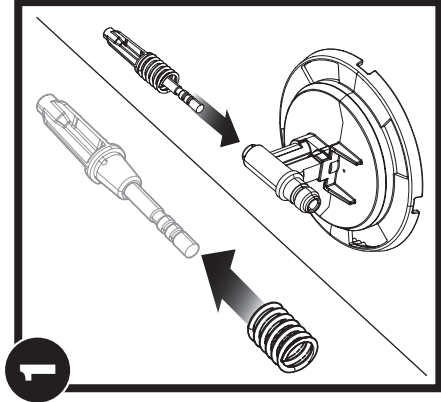
Reassembly / Maintenance

Start

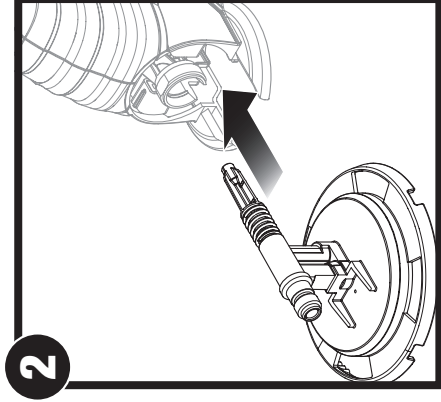
You will need:

- Scrap piece of wood or cardboard
- Lubricant

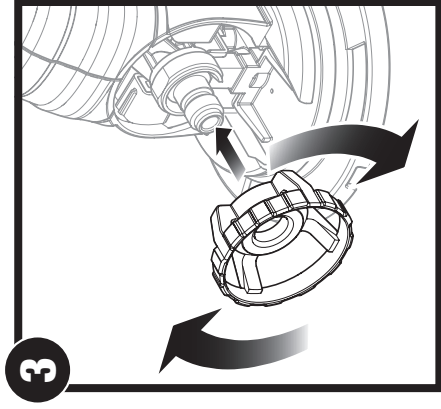
Note: Power Painter Max only - Refer to page 58 to see the proper way to repack the sprayer and components into the carrying case.



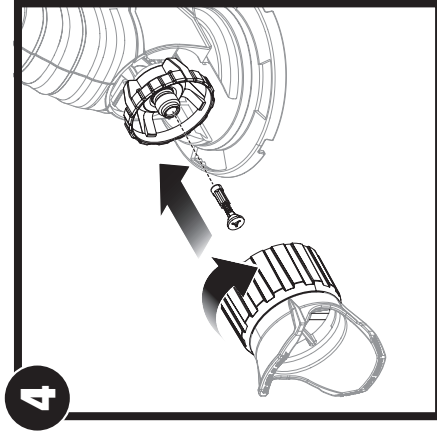
1. Slide the spring onto the front end of the piston.
Insert the piston into the back of the pump housing.



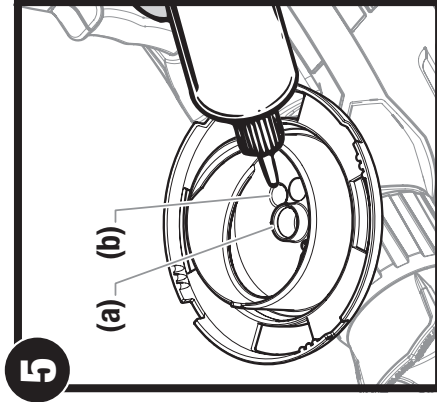
2. Insert the pump housing assembly into the front of the sprayer.



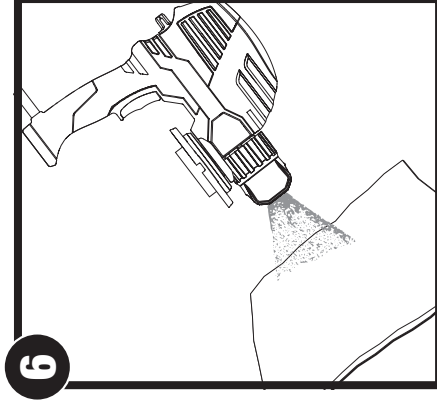
3. Place the locking nut onto the pump housing. Press in while turning the locking nut clockwise.
Do not cross-thread the locking nut. Make certain it is threaded correctly before tightening.



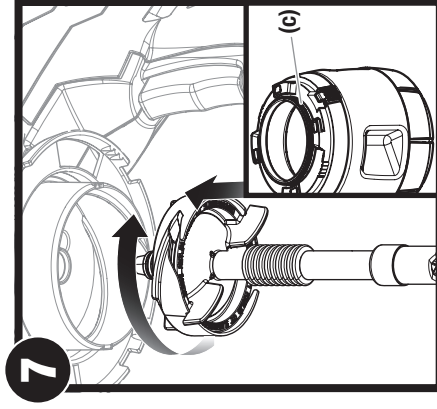
4. Insert the atomizer valve into the front end of the pump housing.
Place the adjustable spray tip assembly onto the pump housing and turn the tip nut clockwise until it is tightened securely.



5. Turn the sprayer upside-down while the cup is removed.
Squeeze a small amount of lubricant into both the intake (a) and return (b) openings on the pump housing.



6. Plug in the sprayer. Aim at piece of scrap wood or cardboard and squeeze the trigger of the sprayer for 2 to 3 seconds while sprayer is still inverted.



7. Reassemble and reattach the filter and suction tube assembly.
Lubricate the O-ring (c) as shown with the included lubricant. Replace the cup.

Troubleshooting

 Any attempt to open the motor housing or repair any electrical parts within the unit by anyone other than an authorized repair technician could cause serious injury and will void the warranty.

Problem A: Motor will not run

Cause	Solution
1. No power at wall outlet. Electrical problem or defective motor.	Try new wall outlet. Take to Authorized Service Center for repair.

Problem B: Motor has a low hum and does not spray

Cause	Solution
1. Seized piston	Disassemble sprayer, clean and lubricate (follow Cleanup, Cup Mode instructions)

Problem C: Motor operates properly but does not spray

Cause	Solution
1. Failure to prime with remote suction set	Oil intake opening (see Reassembly / Maintenance section). Hold trigger for at least 3 minutes. Thin paint. Hold sprayer at even level with paint can.
2. Failure to prime with suction tube	Oil intake opening (see Reassembly / Maintenance section). Hold trigger for at least 20 seconds. Thin paint.
3. Loose or damaged suction tube	Tighten or replace
4. Plugged or worn atomizer valve	Clean or replace as needed
5. Atomizer valve missing	Replace atomizer valve
6. Material selector needs adjusting	Adjust to "PAINT" setting.
7. Speed setting too low	Increase the speed setting (if equipped)
8. Plugged spray tip	Clean tip
9. Filter assembly plugged	Clean filter assembly
10. Material too thick	Thin material
11. Worn piston	Clean and oil, or replace

Problem D: Material spitting or globbing (air has entered the system)

Cause	Solution
1. Low on paint	Refill container
2. Worm atomizer valve	Replace atomizer valve
3. Plugged spray tip	Clean the spray tip (follow Cleanup, Cup Mode instructions)
4. Material selector needs adjusting	Adjust to "PAINT" setting.
5. Speed setting too low	Increase the speed setting (if equipped)
6. Worn piston	Clean and oil, or replace
7. O-rings on filter assembly are dirty	Clean and lubricate (follow Cleanup, Cup Mode instructions)
8. Material too thick	Thin material

Troubleshooting

Problem E: Excessive fogging

Cause	Solution
1. Material selector set too high	Set material selector to 'STAIN'
2. Holding sprayer too far from work surface	Hold sprayer closer to work surface

Problem F: Runs and sags in paint

Cause	Solution
1. Arm movement too slow, holding spray gun too close or work surface, or applying too much paint at one time	See section on spraying (page 8)

Problem G: Material drips from spray tip or guard

Cause	Solution
1. Guard is for safety and cannot be removed. Some dripping is unavoidable with some paints	Use a small brush on drips that fall on surface being sprayed. Use a drop cloth

Problem H: Material leaking from between spray tip and locking nut.

Cause	Solution
1. Spray tip is loose	Tighten securely
2. Atomizer valve not positioned properly	Unplug the sprayer, remove the spray tip and reposition the atomizer valve
3. Worn atomizer valve	Replace
4. Eroded pump housing	Replace the pump housing

Problem I: Motor overheats

Cause	Solution
1. Seized piston	Clean piston
2. Extension cord too long	Replace with proper size
3. Operating continuously	Release trigger at the end of a pass, allow to cool.

Questions?



Have you tried the recommendations above and are still having problems? In the United States, to speak to a customer service representative, call our Customer Service at 1-800-328-8251 Monday through Friday between 8:00 AM and 4:30 PM Central time.

Call Wagner Technical Service at:

1-800-328-8251

Register your product online at:

www.wagnerspraytech.com

Proper registration will serve as proof of purchase in the event your original receipt becomes misplaced or lost.



This unit has no serviceable electrical parts. Do not attempt to service this unit yourself.