



**WORLDWIDE  
LIGHTING,  
INC.**

# **INSTRUCTION MANUAL**

## **Empire Four Light Flush Mount Chandelier** **(Contemporary Crystal Chandelier with Gold Finish)** **(W33019G12)**



Thank you for considering Worldwide Lighting Corp. for your chandelier purchase. We're dedicated to providing our customers the finest quality crystal chandeliers at a reasonable price. Our master craftsmen and designers pride themselves on their attention to detail, and all of us are dedicated to prompt and efficient service.

Enclosed herein are detailed instructions on how to properly install your new chandelier. Please read all instructions carefully and thoroughly before you begin. If you have any questions, please call our toll free number at 1-855-411-8999.



# **Assembly / Installation Instructions**

**Note: Installation should only be performed by a licensed electrician or contractor**

## **1. Flush and Semi-Flush, Ceiling- and Wall-mounted Luminaires**

- 1.1 Ensure power is disconnected before beginning.
- 1.2 Loosen the nut on top of the mounting bar.
- 1.3 Affix the mounting bar to the wall- or ceiling-mounted junction / outlet box. For safety and Code reasons, ensure the box can support at least 4 times the weight of the fixture.
- 1.4 Use the wire connectors to connect the fixture's Hot and Neutral supply wires to the branch circuit. Connect the ground wires of the fixture and outlet box. If the outlet box does not have a ground wire, secure the fixture's ground wire with the screw which affixes the mounting bar to the outlet box.
- 1.5 Tighten the fixture to the mounting bar using the threaded pipe and cap provided.
- 1.6 Install light bulb(s). Reconnect power and ensure that fixture and connections are working properly. If wiring requires further attention, be sure to disconnect power before proceeding. .
- 1.7 Install shades and/or crystal according to enclosed diagrams and instructions.

## **2. Hanging Pendant Fixtures**

- 2.1 Ensure power is disconnected before beginning.
- 2.2 Loosen the nut on top of the mounting bar. .
- 2.3 Separate check ring, canopy (ceiling plate), and closable chain links from other mounting parts.
- 2.4 Affix the mounting bar (with threaded pipe and loop installed) to the ceiling-mounted junction / outlet box. For safety and Code reasons, ensure the box can support at least 4 times the weight of the fixture. .
- 2.5 Via the threaded pipe, adjust height of the loop so outside threads align with the height of canopy (ceiling plate). .
- 2.6 Measure and adjust fixture chain to desired length. Using 1<sup>st</sup> of 2 closable chain links provided, securely affix chain to top loop of the fixture. .
- 2.7 Slide check ring and canopy (ceiling plate) onto fixture chain. Using 2<sup>nd</sup> closable chain link provided, secure chain and fixture to loop affixed to outlet box in Step 2.4. Thread fixture wiring through chain, loop, threaded pipe, and into outlet box. .
- 2.8 Use wire connectors to connect the fixture's Hot and Neutral supply wires to the branch circuit. Connect the ground wires of the fixture and outlet box. If the outlet box does not have a ground wire, secure the fixture's ground wire to the screw which affixes the mounting bar to the outlet box.

- 2.9 Tuck wiring into outlet box and slide canopy to ceiling, securing it in place via threaded check ring.
- 2.10 Install light bulb(s). Reconnect power and ensure that fixture and connections are working properly. If wiring requires further attention, be sure to disconnect power before proceeding.
- 2.11 Install shades and/or crystal according to enclosed diagrams and instructions.

### **3. Warnings**

- 3.1 Do not touch light bulbs while on or before finished cooling down.
- 3.2 Risk of fire use; use in dry locations only.
- 3.3 Mount on noncombustible surfaces only.
- 3.4 Disconnect power before replacing bulbs or the fixture.
- 3.5 This product must be installed in accordance with installation instructions and all safety and building codes, by an authorized person familiar with the construction and operation of the product and associated hazards.

**LUMINAIRE NOT SUITABLE FOR DIRECT MOUNTING ON  
FLAMMABLE SURFACES.**

### **QUESTIONS, PROBLEMS, MISSING PARTS:**

Before returning anything, please call our Customer Service Department at 1-855-411-8999. Please reference W 83740C10 with regard to your product question.

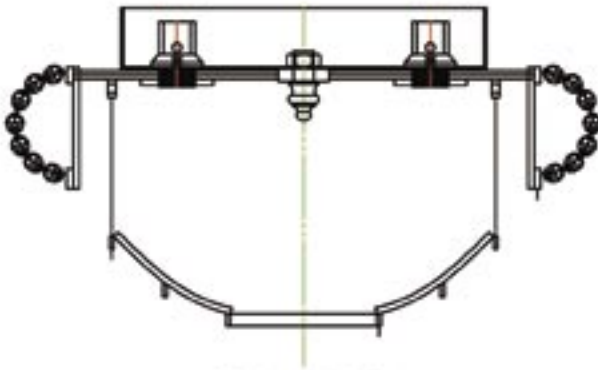
# Frame Parts



(1) Crossbar

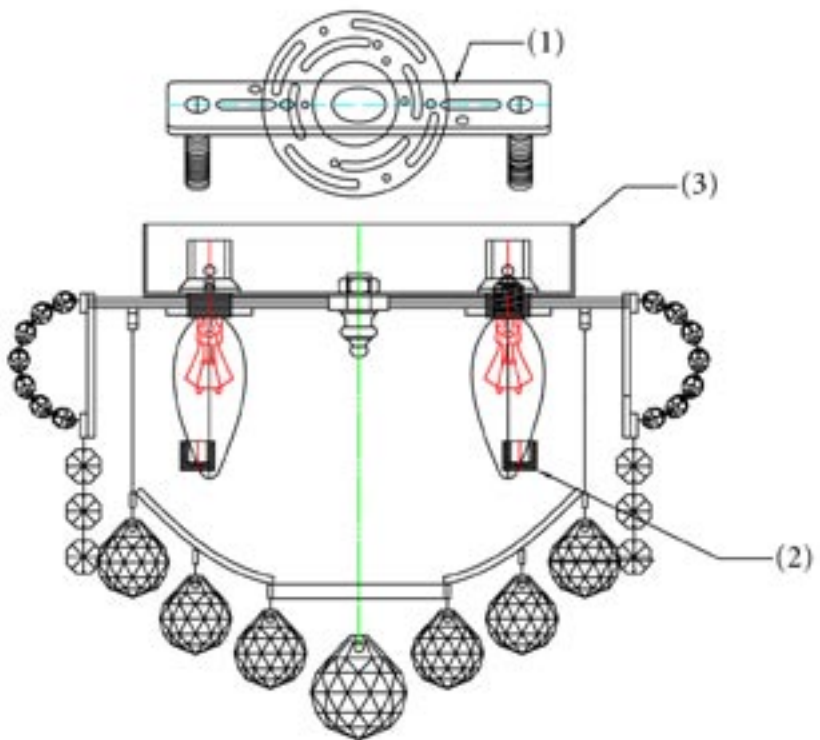


(2) Finial



(3) Lamp Body

# Frame—Exploded View



# Crystal Strings

**REMEMBER:** Always wear either cotton or latex gloves when handling crystals. This helps protect the crystals from scratches and smudging.



A  
(72 strings)



10mmX9

B  
(44 strings)



14mmX3

C  
(38 strings)



30mmX1

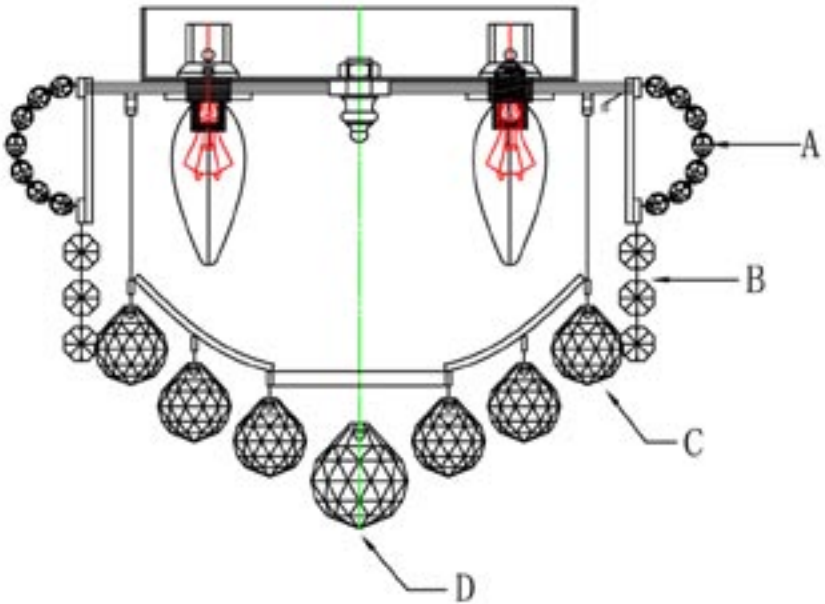
D  
(Quantity 1)



40mmX1

# Dressing the Chandelier

**REMEMBER:** Always wear either cotton or latex gloves when handling crystals. This helps protect the crystals from scratches and smudging.



# Canopy Parts



Existing Electrical Box (A)



Crossbar (B)



(2) Crossbar Screws (C)



Canopy (D)



Wire Connector (E)



Shrinkable Tube



Cable Tie



Ground Wire (F)



# Canopy—Exploded View

