

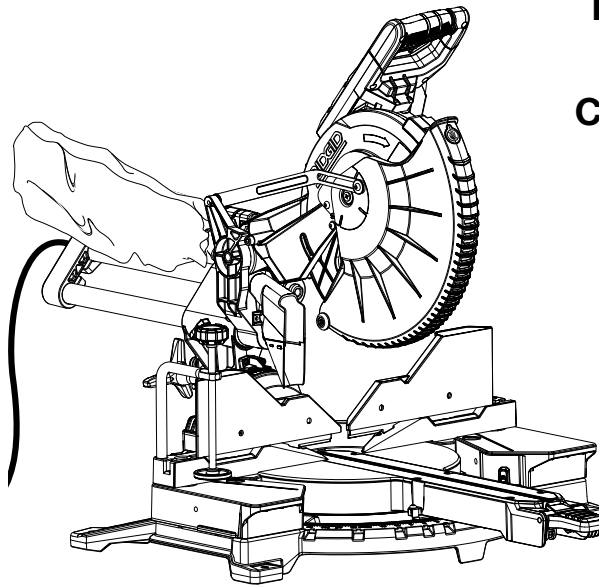
**OPERATOR'S MANUAL**  
**MANUEL D'UTILISATION**  
**MANUAL DEL OPERADOR**

**12 in. SLIDING COMPOUND MITER SAW WITH LED**

**SCIE À ONGLETS COMBINÉS COULISSANTE**  
**DE 305 mm (12 po) AVEC DEL**

**SIERRA INGLETEADORA**  
**COMPUESTA DESLIZANTE DE**  
**305 mm (12 pulg.) CON LED**

**R4222**



To register your RIDGID product, please visit:  
<http://register.RIDGID.com>

Pour enregistrer votre produit de RIDGID, s'il vous plaît la visite :  
<http://register.RIDGID.com>

Para registrar su producto de RIDGID, por favor visita:  
<http://register.RIDGID.com>

**TABLE OF CONTENTS**

\*\*\*\*\*

- General Safety Rules.....2-3
- Miter Saw Safety Rules .....3-4
- Additional Safety Rules .....4-5
- Symbols.....6
- Electrical.....7
- Glossary of Terms.....8
- Features.....9-12
- Tools Needed .....13
- Loose Parts List.....13
- Assembly.....14-22
- Operation.....23-36
- Adjustments .....37-39
- Maintenance.....40-41
- Accessories .....41
- Warranty .....42
- Parts Ordering/Service ..... Back Page

**TABLE DES MATIÈRES**

\*\*\*\*\*

- Règles de sécurité générales .....2-3
- Règles de sécurité scie à onlgets...3-4
- Règles de sécurité supplémentaires... 4-5
- Symboles.....6
- Caractéristiques électriques.....7
- Glossaire.....8
- Caractéristiques .....9-12
- Outils nécessaires .....13
- Liste des pièces détachées.....13
- Assemblage.....14-22
- Utilisation.....23-36
- Réglages.....37-39
- Entretien .....40-41
- Accessoires .....41
- Garantie.....42
- Commande de pièces / réparation.....Page arrière

**ÍNDICE DE CONTENIDO**

\*\*\*\*\*

- Reglas de seguridad generales .....2-3
- Reglas de seguridad sierra ingleteadora .....3-4
- Advertencias de seguridad adicionales .....4-5
- Símbolos .....6
- Aspectos eléctricos.....7
- Glosario de términos .....8
- Características .....9-12
- Herramientas necesarias.....13
- Lista de piezas sueltas .....13
- Armado.....14-22
- Funcionamiento.....23-36
- Ajustes.....37-39
- Mantenimiento.....40-41
- Accesorios .....41
- Garantía.....42
- Pedidos de piezas/ servicio..... Pág. posterior

**⚠ WARNING:**

To reduce the risk of injury, the user must read and understand the operator's manual before using this product.

**⚠ AVERTISSEMENT :**

Pour réduire les risques de blessures, l'utilisateur doit lire et veiller à bien comprendre le manuel d'utilisation avant d'utiliser ce produit.

**⚠ ADVERTENCIA:**

Para reducir el riesgo de lesiones, el usuario debe leer y comprender el manual del operador antes de usar este producto.

**SAVE THIS MANUAL FOR FUTURE REFERENCE**

**CONSERVER CE MANUEL POUR FUTURE RÉFÉRENCE**

**GUARDE ESTE MANUAL PARA FUTURAS CONSULTAS**

# GENERAL SAFETY RULES

---

## WARNING:

Read all safety warnings, instructions, illustrations and specifications provided with this power tool. Failure to follow all instructions listed below may result in electric shock, fire and/or serious injury.

**Save all warnings and instructions for future reference.** The term “power tool” in the warnings refers to your mains-operated (corded) power tool or battery-operated (cordless) power tool.

## WORK AREA SAFETY

- **Keep work area clean and well lit.** Cluttered or dark areas invite accidents.
- **Do not operate power tools in explosive atmospheres, such as in the presence of flammable liquids, gases or dust.** Power tools create sparks which may ignite the dust or fumes.
- **Keep children and bystanders away while operating a power tool.** Distractions can cause you to lose control.

## ELECTRICAL SAFETY

- **Power tool plugs must match the outlet. Never modify the plug in any way. Do not use any adapter plugs with earthed (grounded) power tools.** Unmodified plugs and matching outlets will reduce risk of electric shock.
- **Avoid body contact with earthed or grounded surfaces, such as pipes, radiators, ranges and refrigerators.** There is an increased risk of electric shock if your body is earthed or grounded.
- **Do not expose power tools to rain or wet conditions.** Water entering a power tool will increase the risk of electric shock.
- **Do not abuse the cord. Never use the cord for carrying, pulling or unplugging the power tool. Keep cord away from heat, oil, sharp edges or moving parts.** Damaged or entangled cords increase the risk of electric shock.
- **When operating a power tool outdoors, use an extension cord suitable for outdoor use.** Use of a cord suitable for outdoor use reduces the risk of electric shock.
- **If operating a power tool in a damp location is unavoidable, use a ground fault circuit interrupter (GFCI) protected supply.** Use of a GFCI reduces the risk of electric shock.

## PERSONAL SAFETY

- **Stay alert, watch what you are doing and use common sense when operating a power tool. Do not use a power tool while you are tired or under the influence of drugs, alcohol or medication.** A moment of inattention while operating power tools may result in serious personal injury.
- **Use personal protective equipment. Always wear eye protection.** Protective equipment such as dust mask, non-skid safety shoes, hard hat, or hearing protection used for appropriate conditions will reduce personal injuries.
- **Prevent unintentional starting. Ensure the switch is in the off-position before connecting to power source and/or battery pack, picking up or carrying the tool.** Carrying power tools with your finger on the switch or energising power tools that have the switch on invites accidents.
- **Remove any adjusting key or wrench before turning the power tool on.** A wrench or a key left attached to a rotating part of the power tool may result in personal injury.
- **Do not overreach. Keep proper footing and balance at all times.** This enables better control of the power tool in unexpected situations.
- **Dress properly. Do not wear loose clothing or jewellery. Keep your hair, clothing and gloves away from moving parts.** Loose clothes, jewellery or long hair can be caught in moving parts.
- **If devices are provided for the connection of dust extraction and collection facilities, ensure these are connected and properly used.** Use of dust collection can reduce dust-related hazards.
- **Do not let familiarity gained from frequent use of tools allow you to become complacent and ignore tool safety principles.** A careless action can cause severe injury within a fraction of a second.

## POWER TOOL USE AND CARE

- **Do not force the power tool. Use the correct power tool for your application.** The correct power tool will do the job better and safer at the rate for which it was designed.
- **Do not use the power tool if the switch does not turn it on and off.** Any power tool that cannot be controlled with the switch is dangerous and must be repaired.



# GENERAL SAFETY RULES

---

- **Disconnect the plug from the power source and/or remove the battery pack, if detachable, from the power tool before making any adjustments, changing accessories, or storing power tools.** Such preventive safety measures reduce the risk of starting the power tool accidentally.
- **Store idle power tools out of the reach of children and do not allow persons unfamiliar with the power tool or these instructions to operate the power tool.** Power tools are dangerous in the hands of untrained users.
- **Maintain power tools and accessories. Check for misalignment or binding of moving parts, breakage of parts and any other condition that may affect the power tool's operation. If damaged, have the power tool repaired before use.** Many accidents are caused by poorly maintained power tools.
- **Keep cutting tools sharp and clean.** Properly maintained cutting tools with sharp cutting edges are less likely to bind and are easier to control.
- **Use the power tool, accessories and tool bits etc. in accordance with these instructions, taking into account the working conditions and the work to be performed.** Use of the power tool for operations different from those intended could result in a hazardous situation.
- **Keep handles and grasping surfaces dry, clean and free from oil and grease.** Slippery handles and grasping surfaces do not allow for safe handling and control of the tool in unexpected situations.

## SERVICE

- **Have your power tool serviced by a qualified repair person using only identical replacement parts.** This will ensure that the safety of the power tool is maintained.

# MITER SAW SAFETY RULES

---

- **Miter saws are intended to cut wood or wood-like products, they cannot be used with abrasive cut-off wheels for cutting ferrous material such as bars, rods, studs, etc.** Abrasive dust causes moving parts such as the lower guard to jam. Sparks from abrasive cutting will burn the lower guard, the kerf insert and other plastic parts.
- **Use clamps to support the workpiece whenever possible. If supporting the workpiece by hand, you must always keep your hand at least 100 mm from either side of the saw blade. Do not use this saw to cut pieces that are too small to be securely clamped or held by hand.** If your hand is placed too close to the saw blade, there is an increased risk of injury from blade contact.
- **The workpiece must be stationary and clamped or held against both the fence and the table. Do not feed the workpiece into the blade or cut "freehand" in any way.** Unrestrained or moving workpieces could be thrown at high speeds, causing injury.
- **Push the saw through the workpiece. Do not pull the saw through the workpiece. To make a cut, raise the saw head and pull it out over the workpiece without cutting, start the motor, press the saw head down and push the saw through the workpiece.** Cutting on the pull stroke is likely to cause the saw blade to climb on top of the workpiece and violently throw the blade assembly towards the operator.
- **Never cross your hand over the intended line of cutting either in front or behind the saw blade.** Supporting the workpiece "cross handed" i.e. holding the workpiece to the right of the saw blade with your left hand or vice versa is very dangerous.
- **Do not reach behind the fence with either hand closer than 100 mm from either side of the saw blade, to remove wood scraps, or for any other reason while the blade is spinning.** The proximity of the spinning saw blade to your hand may not be obvious and you may be seriously injured.
- **Inspect your workpiece before cutting. If the workpiece is bowed or warped, clamp it with the outside bowed face toward the fence. Always make certain that there is no gap between the workpiece, fence and table along the line of the cut.** Bent or warped workpieces can twist or shift and may cause binding on the spinning saw blade while cutting. There should be no nails or foreign objects in the workpiece.
- **Do not use the saw until the table is clear of all tools, wood scraps, etc., except for the workpiece.** Small debris or loose pieces of wood or other objects that contact the revolving blade can be thrown with high speed.
- **Cut only one workpiece at a time.** Stacked multiple workpieces cannot be adequately clamped or braced and may bind on the blade or shift during cutting.
- **Ensure the miter saw is mounted or placed on a level, firm work surface before use.** A level and firm work surface reduces the risk of the miter saw becoming unstable.
- **Plan your work. Every time you change the bevel or miter angle setting, make sure the adjustable fence is set correctly to support the workpiece and will not interfere with the blade or the guarding system.** Without turning the tool "ON" and with no workpiece on the table, move the saw blade through a complete simulated cut to assure there will be no interference or danger of cutting the fence.

# MITER SAW SAFETY RULES

---

- **Provide adequate support such as table extensions, saw horses, etc. for a workpiece that is wider or longer than the table top.** Workpieces longer or wider than the miter saw table can tip if not securely supported. If the cut-off piece or workpiece tips, it can lift the lower guard or be thrown by the spinning blade.
- **Do not use another person as a substitute for a table extension or as additional support.** Unstable support for the workpiece can cause the blade to bind or the workpiece to shift during the cutting operation pulling you and the helper into the spinning blade.
- **The cut-off piece must not be jammed or pressed by any means against the spinning saw blade.** If confined, i.e. using length stops, the cut-off piece could get wedged against the blade and thrown violently.
- **Always use a clamp or a fixture designed to properly support round material such as rods or tubing.** Rods have a tendency to roll while being cut, causing the blade to bite and pull the work with your hand into the blade.
- **Let the blade reach full speed before contacting the workpiece.** This will reduce the risk of the workpiece being thrown.
- **If the workpiece or blade becomes jammed, turn the miter saw off. Wait for all moving parts to stop and disconnect the plug from the power source and/or remove the battery pack. Then work to free the jammed material.** Continued sawing with a jammed workpiece could cause loss of control or damage to the miter saw.
- **After finishing the cut, release the switch, hold the saw head down and wait for the blade to stop before removing the cut-off piece.** Reaching with your hand near the coasting blade is dangerous.
- **Hold the handle firmly when making an incomplete cut or when releasing the switch before the saw head is completely in the down position.** The braking action of the saw may be suddenly pulled downward, causing a risk of injury.
- **Save these instructions.** Refer to them frequently and use to instruct other users. If you loan someone this tool, loan them these instructions also.

## ADDITIONAL SAFETY RULES

---

- **Use the proper extension cord.** Make sure your extension cord is in good condition. Use only a cord heavy enough to carry the current your product will draw. An undersized cord will cause a drop in line voltage resulting in loss of power and overheating. A wire gauge size (A.W.G.) of at least **14** is recommended for an extension cord 25 feet or less in length. If in doubt, use the next heavier gauge. The smaller the gauge number, the heavier the cord.
- **Inspect tool cords periodically.** If damaged, have repaired by a qualified service technician at an authorized service facility. Repair or replace a damaged or worn cord immediately. Stay constantly aware of cord location and keep it well away from the rotating blade.
- **Inspect extension cords periodically** and replace if damaged.
- **Polarized plugs.** To reduce the risk of electric shock, this tool has a polarized plug (one blade is wider than the other). This plug will fit in a polarized outlet only one way. If the plug does not fit fully in the outlet, reverse the plug. If it still does not fit, contact a qualified electrician to install the proper outlet. Do not change the plug in any way.
- **Know your power tool.** Read the operator's manual carefully. Learn the applications and limitations as well as the specific potential hazards related to this tool.
- **Always wear eye protection with side shields which is marked to comply with ansi Z87.1 when using this product.** Failure to do so could result in objects being thrown into your eyes, resulting in possible serious injury.
- **Never stand on tool.** Serious injury could occur if the tool is tipped or if the cutting tool is unintentionally contacted.
- **Keep guards in place** and in good working order.
- **Use the right direction of feed.** Feed work into a blade, cutter, or sanding spindle against the direction of rotation of the blade, cutter, or sanding spindle only.
- **Never leave tool running unattended. Turn the power off.** Don't leave tool until it comes to a complete stop.
- **Use only correct blades. Do not** use blades with incorrect size holes. Never use blade washers or blade bolts that are defective or incorrect. The maximum blade capacity of your saw is 12 in.
- **Before making a cut, be sure all adjustments are secure.**
- **Never touch blade** or other moving parts during use.
- **Double check all setups.** Make sure blade is tight and not making contact with saw or workpiece before connecting to power supply.




# ADDITIONAL SAFETY RULES

---








- **Firmly clamp or bolt** your tool to a workbench or table at approximately hip height.
- **Make sure the miter table and saw arm (bevel function) are locked in position before operating your saw.** Lock the miter table by pushing the miter lock lever down. Lock the saw arm (bevel function) by securely tightening the bevel lock knob.
- **Never move the workpiece or make adjustment to any cutting angle while the saw is running and the blade is rotating.** Any slip can result in contact with the blade causing serious personal injury.
- **Avoid awkward operations and hand positions** where a sudden slip could cause your hand to move into the blade. **ALWAYS** make sure you have good balance. **NEVER** operate your miter saw on the floor or in a crouched position.
- **Never** stand or have any part of the body in line with the path of the saw blade.
- **Do not turn the motor switch on and off rapidly.** This could cause the saw blade to loosen and could create a hazard. Should this ever occur, stand clear and allow the saw blade to come to a complete stop. Disconnect your saw from the power supply and securely retighten the blade bolt.
- **If any part of this miter saw is missing** or should break, bend, or fail in any way, or should any electrical component fail to perform properly, shut off the power switch, remove the miter saw plug from the power source and have damaged, missing, or failed parts replaced before resuming operation.
- **Always turn off the saw** before disconnecting it to avoid accidental starting when reconnecting to power supply. **NEVER** leave the saw unattended while connected to a power source.
- **This tool** should have the following markings:
  - To reduce the risk of injury, user must read the operator's manual.
  - Wear eye protection.
  - Keep hands and body out of the path of the saw blade. Contact with the blade will result in serious injury.
  - Check guarding system to make sure it is functioning correctly.
  - Do not perform any operation freehand.
  - Never reach around the saw blade.
  - Turn off tool and wait for saw blade to stop before moving workpiece or changing settings.
  - Disconnect the saw from the power source before changing blade or servicing.
- **Always** carry the tool only by the carrying handle.
- **This saw can tip over** if the saw head is released suddenly and the saw is not secured to a work surface. Always secure this saw to a stable work surface before any use to avoid serious personal injury.
- **Always make sure the saw blade has clearance of all obstructions before turning the saw on.**

# SYMBOLS

The following signal words and meanings are intended to explain the levels of risk associated with this product.

SYMBOL	SIGNAL	MEANING
	<b>DANGER:</b>	Indicates a hazardous situation, which, if not avoided, will result in death or serious injury.
	<b>WARNING:</b>	Indicates a hazardous situation, which, if not avoided, could result in death or serious injury.
	<b>CAUTION:</b>	Indicates a hazardous situation, that, if not avoided, may result in minor or moderate injury.
	<b>NOTICE:</b>	(Without Safety Alert Symbol) Indicates information considered important, but not related to a potential injury (e.g. messages relating to property damage).

Some of the following symbols may be used on this tool. Please study them and learn their meaning. Proper interpretation of these symbols will allow you to operate the tool better and safer.

SYMBOL	NAME	DESIGNATION/EXPLANATION
	Safety Alert	Indicates a potential personal injury hazard.
	Read Operator's Manual	To reduce the risk of injury, user must read and understand operator's manual before using this product.
	Eye Protection	Always wear eye protection with side shields marked to comply with ANSI Z87.1.
	No Hands Symbol	Failure to keep your hands away from the blade will result in serious personal injury.
	Wet Conditions Alert	Do not expose to rain or use in damp locations.
	Extremely Bright Light	This product uses extremely bright LEDs. To avoid serious eye injury, do not stare into the light (not even from a distance).
V	Volts	Voltage
A	Amperes	Current
Hz	Hertz	Frequency (cycles per second)
min	Minutes	Time
~	Alternating Current	Type of current
$n_0$	No Load Speed	Rotational speed, at no load
	Class II Construction	Double-insulated construction
.../min	Per Minute	Revolutions, strokes, surface speed, orbits, etc., per minute

# ELECTRICAL

---

## DOUBLE INSULATION

Double insulation is a concept in safety in electric power tools, which eliminates the need for the usual three-wire grounded power cord. All exposed metal parts are isolated from the internal metal motor components with protecting insulation. Double insulated tools do not need to be grounded.

---

### **WARNING:**

The double insulated system is intended to protect the user from shock resulting from a break in the tool's internal wiring. Observe all normal safety precautions to avoid electrical shock.

---

**NOTE:** Servicing of a product with double insulation requires extreme care and knowledge of the system and should be performed only by a qualified service technician. For service, we suggest you return the tool to your nearest authorized service center for repair. Always use original factory replacement parts when servicing.

## ELECTRICAL CONNECTION

This tool has a precision-built electric motor. It should be connected to a **power supply that is 120 V, AC only (normal household current), 60 Hz**. Do not operate this tool on direct current (DC). A substantial voltage drop will cause a loss of power and the motor will overheat. If the tool does not operate when plugged into an outlet, double check the power supply.

## EXTENSION CORDS

When using a power tool at a considerable distance from a power source, be sure to use an extension cord that has the capacity to handle the current the product will draw. An undersized cord will cause a drop in line voltage, resulting in overheating and loss of power. Use the chart to determine the minimum wire size required in an extension cord. Only round jacketed cords listed by Underwriter's Laboratories (UL) should be used.

When working outdoors with a product, use an extension cord that is designed for outside use. This type of cord is designated with "WA" or "W" on the cord's jacket.

Before using any extension cord, inspect it for loose or exposed wires and cut or worn insulation.

---

\*\*Ampere rating (on product data plate)

Cord Length	Wire Size (A.W.G.)					
	0-2.0	2.1-3.4	3.5-5.0	5.1-7.0	7.1-12.0	12.1-16.0
25'	16	16	16	16	14	14
50'	16	16	16	14	14	12
100'	16	16	14	12	10	—

\*\*Used on 12 gauge - 20 amp circuit.

**NOTE:** A.W.G. = American Wire Gauge

---

### **WARNING:**

Keep the extension cord clear of the working area. Position the cord so that it will not get caught on lumber, tools, or other obstructions while you are working with a power tool. Failure to do so can result in serious personal injury.

---

### **WARNING:**

Check extension cords before each use. If damaged replace immediately. Never use tool with a damaged cord since touching the damaged area could cause electrical shock resulting in serious injury.

---

# GLOSSARY OF TERMS

---

## **Anti-Kickback Pawls (radial arm and table saws)**

A device which, when properly installed and maintained, is designed to stop the workpiece from being kicked back toward the front of the saw during a ripping operation.

## **Arbor**

The shaft on which a blade or cutting tool is mounted.

## **Bevel Cut**

A cutting operation made with the blade at any angle other than 90° to the table surface.

## **Chamfer**

A cut removing a wedge from a block so the end (or part of the end) is angled rather than at 90°.

## **Compound Cut**

A cross cut made with both a miter and a bevel angle.

## **Cross Cut**

A cutting or shaping operation made across the grain or the width of the workpiece.

## **Cutter Head (planers and jointer planers)**

A rotating cutterhead with adjustable blades or knives. The blades or knives remove material from the workpiece.

## **Dado Cut (table saws and compound sliding miter saws)**

A non-through cut which produces a square, three-sided notch or trough in the workpiece.

## **Featherboard (table saws)**

A device used to help control the workpiece by guiding it securely against the table or fence during any ripping operation.

## **FPM or SPM**

Feet per minute (or strokes per minute), used in reference to blade movement.

## **Freehand**

Performing a cut without the workpiece being guided by a fence, miter fence, or other aids.

## **Gum**

A sticky, sap-based residue from wood products.

## **Heel**

Alignment of the blade to the miter gauge groove.

## **Kerf**

The material removed by the blade in a through cut or the slot produced by the blade in a non-through or partial cut.

## **Kickback**

A hazard that can occur when the blade binds or stalls, throwing the workpiece in the direction of the spinning blade.

## **Miter Cut**

A cutting operation made with the workpiece at any angle to the blade other than 90°.

## **Non-Through Cuts (table saws and compound sliding miter saws)**

Any cutting operation where the blade does not extend completely through the thickness of the workpiece. This is a cut where the blade will not cut the workpiece into two pieces.

## **Pilot Hole (drill presses and scroll saws)**

A small hole drilled in a workpiece that serves as a guide for drilling large holes accurately or for insertion of a scroll saw blade.

## **Push Blocks (jointer planers)**

Device used to feed the workpiece over the jointer planer cutterhead during any operation. This aid helps keep the operator's hands well away from the cutterhead.

## **Push Blocks and Push Sticks (table saws)**

Devices used to feed the workpiece through the saw blade during cutting operations. When making a narrow rip cut without a jig or similar cutting aid, always use a push stick (not a push block). A push block can be used for narrow ripping operations, if a jig or similar cutting aid is used. These aids help keep the operator's hands well away from the blade.

## **Rabbet**

A non-through cut positioned on the end or edge of the workpiece which produces a square, two-sided notch or trough in the workpiece.

## **Resaw (table saws and band saws)**

A cutting operation to reduce the thickness of the workpiece to make thinner pieces.

## **Resin**

A sticky, sap-based substance that has hardened.

## **Revolutions Per Minute (RPM)**

The number of turns completed by a spinning object in one minute.

## **Ripping or Rip Cut (table saws)**

A cutting operation along the length of the workpiece and typically in the direction of the grain.

## **Riving Knife/Spreader/Splitter (table saws)**

A metal piece, slightly thinner than the blade, which helps keep the kerf open and also helps to prevent kickback.

## **Saw Blade Path**

The area over, under, behind, or in front of the blade. As it applies to the workpiece, that area which will be or has been cut by the blade.

## **Snipe (planers)**

Depression made at either end of a workpiece by cutter blades when the workpiece is not properly supported.

## **Taper Cut**

A cut where the material being cut has a different width at the beginning of the cut from the end.

## **Through Sawing**

Any cutting operation where the blade extends completely through the thickness of the workpiece. This type of cut will separate a single workpiece into two pieces.

## **Workpiece or Material**

The item on which the operation is being done.

## **Worktable**

Surface where the workpiece rests while performing a cutting, drilling, planing, or sanding operation.

# FEATURES

## PRODUCT SPECIFICATIONS

Blade Diameter..... 12 in.  
 Arbor Hole ..... 1 in.  
 No Load Speed ..... 4,000/min. (RPM)  
 Input ..... 120, 60 Hz, AC Only, 15 Amps  
 Cutting Capacity with Miter at 0°/Bevel 0°:  
 Maximum lumber sizes:..... 2 x 16 (nominal)  
 ..... 4-1/2 x 14 (actual)  
 Cutting Capacity with Miter at 45°/Bevel 0°:  
 Maximum nominal lumber sizes:..... 2 x 12

Cutting Capacity with Miter at 0°/Bevel 45°:  
 Maximum nominal lumber sizes:..... 2 x 16  
 Cutting Capacity of Compound Bevel Cut  
 with Miter at 45°/Bevel 45°:  
 Maximum nominal lumber sizes:..... 2 x 12  
 Crown Capacity  
 Nested Crown with Miter at 45° ..... 7-1/2 in.  
 Nested Crown with Miter at 67.5° ..... 6-5/8 in.

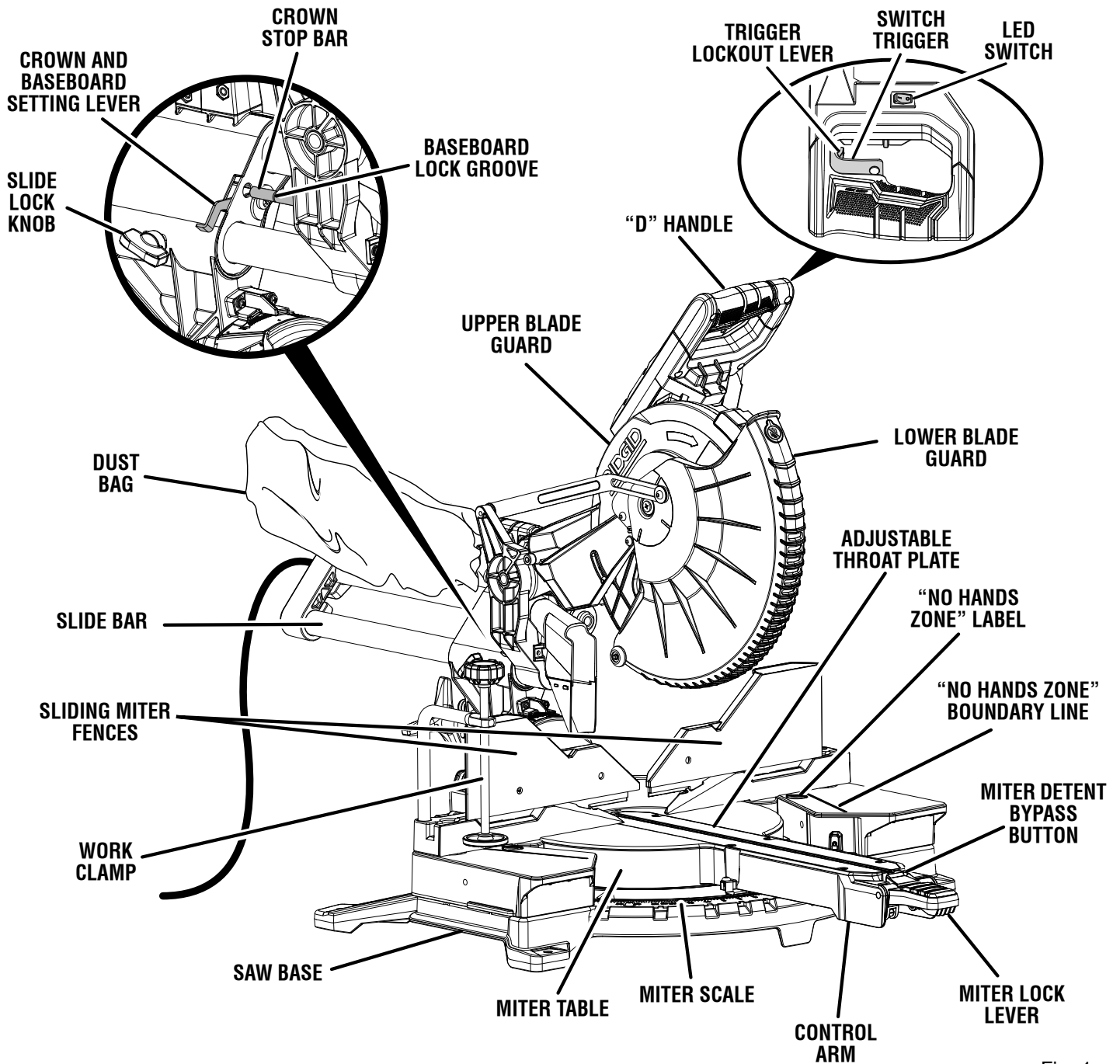


Fig. 1

# FEATURES

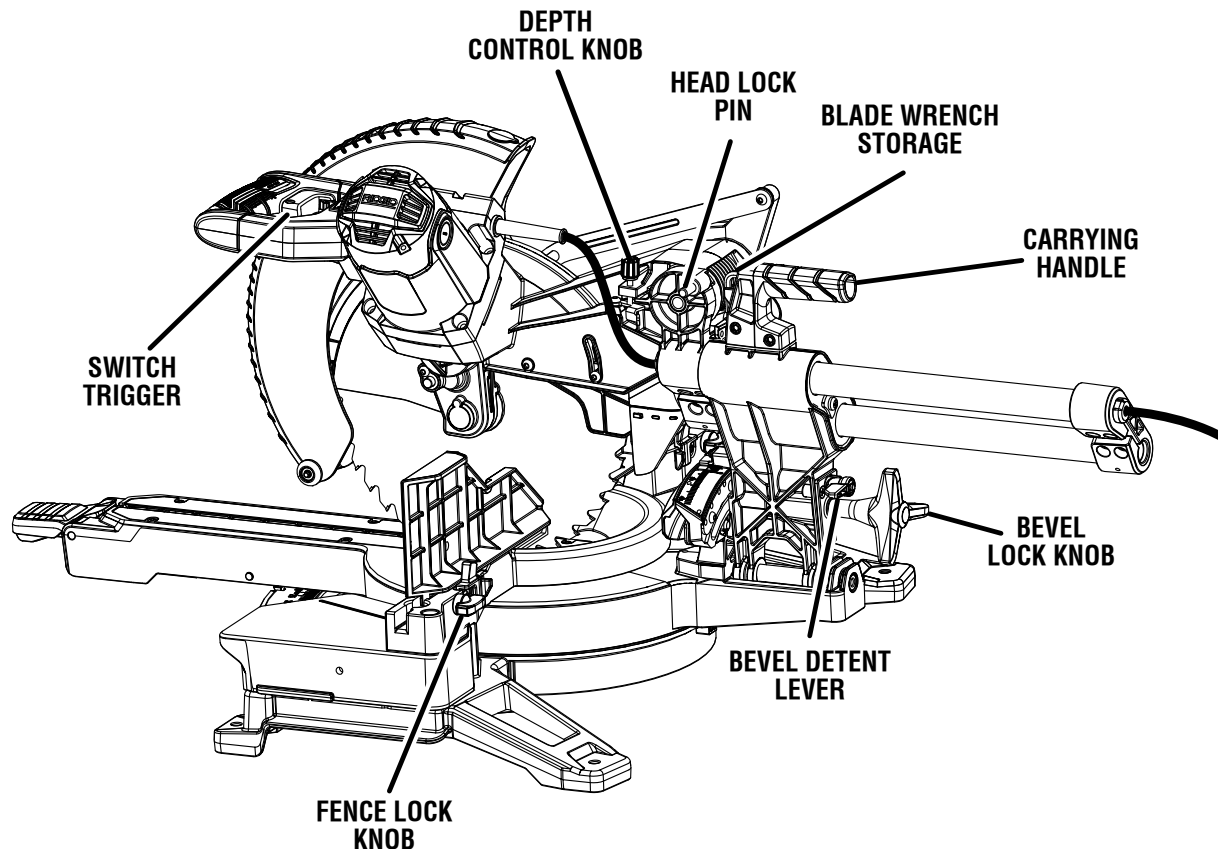


Fig. 2

## KNOW YOUR COMPOUND MITER SAW

See Figures 1 - 2.

The safe use of this product requires an understanding of the information on the tool and in this operator's manual as well as a knowledge of the project you are attempting. Before use of this product, familiarize yourself with all operating features and safety rules.

## 12 IN. BLADE

A 12 in. blade is included with your compound miter saw. It will cut materials up to 15-1/4 in. wide, depending upon the angle at which the cut is being made.

## BEVEL DETENT LEVER

See Figure 3.

Loosen the bevel lock knob before using the bevel detent lever. Tighten the knob after adjusting to lock the saw in place.

**POSITION 1: (detent disengaged)** Allows the blade to be freely tilted either left or right for custom selection of bevel cuts.

**POSITION 2: (detent engaged)** Allows you to easily find 0°, 15°, 22.5°, 33.9°, and 45° at indexed stops.

## BEVEL LOCK KNOB

See Figure 3.

The bevel lock knob securely locks your compound miter saw at desired bevel angles. Loosen the bevel lock knob to release the saw, allowing the blade to be tilted either left or right for bevel cuts. Tighten the knob to lock the saw in place.

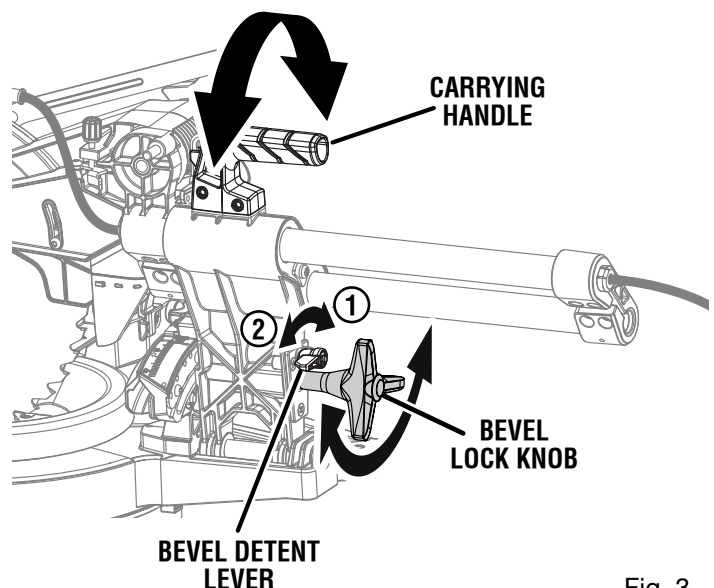


Fig. 3



# FEATURES

## CARRYING HANDLES

See Figure 4.

For convenience when carrying or transporting the miter saw from one place to another, a carrying handle has been provided on top of the saw along with handle areas on either side of the saw base. To transport, turn off and unplug the saw, securely tighten the slide lock knob, then lower the saw arm and lock it in the down position. Lock saw arm by pushing the lock pin in.

**NOTE:** DO NOT perform any cutting operation with the saw in the locked position.

## CROWN AND BASEBOARD SETTING LEVER

The crown and baseboard setting lever is helpful when making miter cuts between 45° right and 45° left for tall crown molding and vertical baseboard.

## DEPTH CONTROL KNOB

See Figure 4.

The depth control knob is a guide for limiting downward movement of the saw arm.

## HEAD LOCK PIN

See Figure 4.

The head lock pin is used for locking the saw arm in the down position.

## ELECTRIC BRAKE

An electric brake quickly stops blade rotation after the switch trigger is released.

## EXTENDED MITER CAPACITY

See Figure 5.

Rotating extension tables allow for miter cuts up to 70°.

## LED LIGHTING SYSTEM

The LED casts a shadow of the blade teeth onto the workpiece for making precision cuts and predicts blade kerf for blade cut line.

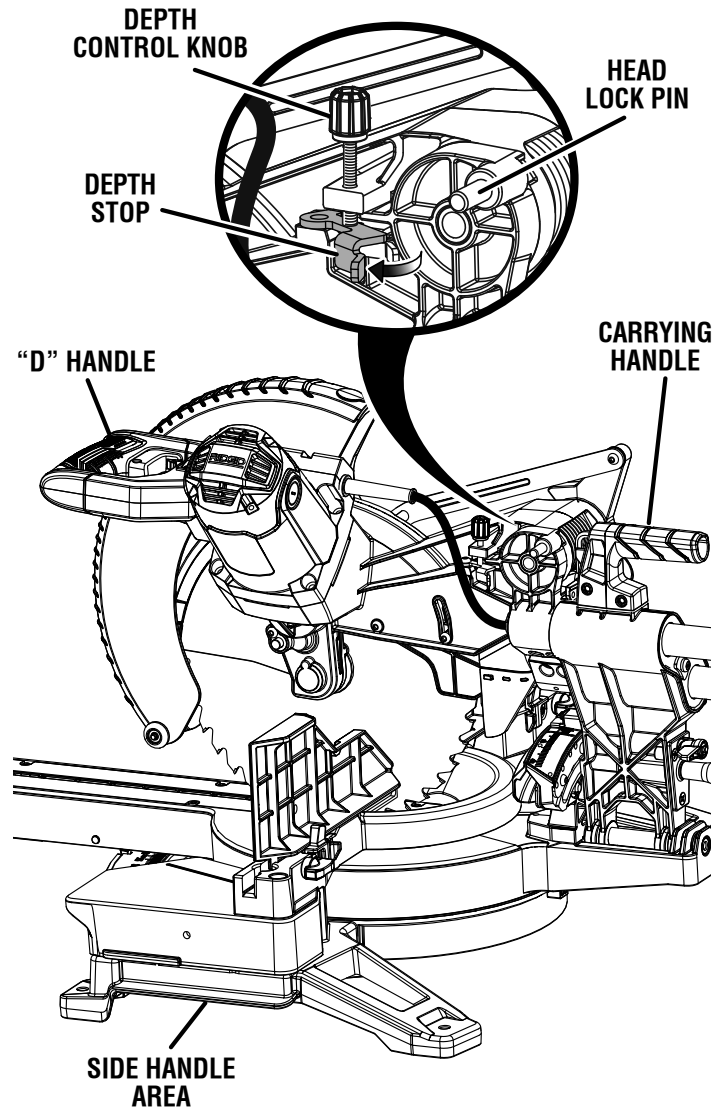
## MITER LOCK LEVER

See Figure 5.

The miter lock lever securely locks the saw at the desired miter angle. Push the lever down to lock the saw in place. To release the saw, lift the miter lock lever and depress the miter bypass button.

## MITER SCALE

The miter scale has index points at 0°, 15°, 22.5°, 31.6°, 45°, 60°, and 67.5° on both the left and right side of the miter table.



SAW ARM LOCKED IN DOWN POSITION

Fig. 4

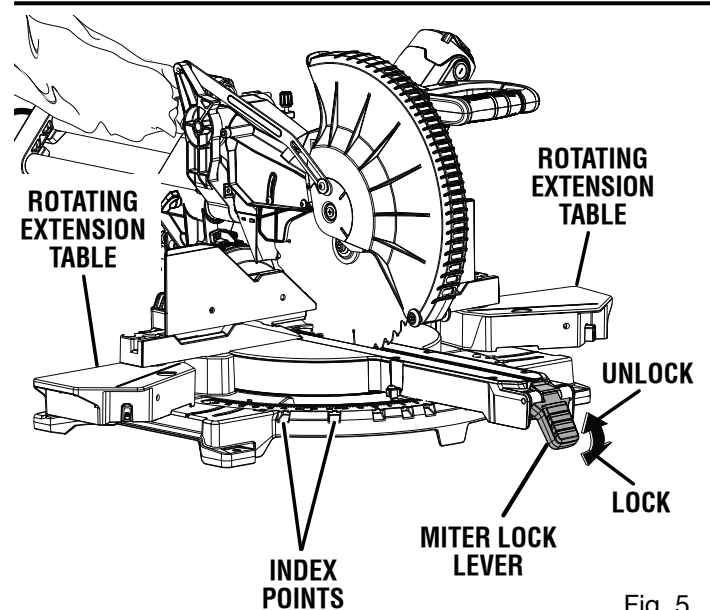


Fig. 5

# FEATURES

## SELF-RETRACTING LOWER BLADE GUARD

The lower blade guard is made of shock-resistant, see-through plastic that provides protection from each side of the blade. It retracts over the upper blade guard as the saw is lowered into the workpiece.

## SLIDE BAR

When unlocked, the saw arm will glide forward and backward the length of the slide bar for cutting various workpiece widths.

## SLIDE LOCK KNOB

The slide lock knob locks and unlocks the sliding feature of this tool.

## SLIDING MITER FENCES

See Figure 6.

The sliding miter fences help support the workpiece securely when making most cuts. The sliding feature allows for clearance of the saw blade when making bevel or compound cuts. Some cuts may require that the sliding fence be removed completely to avoid interference between the fence and the blade.

Loosen the fence lock knob before attempting to slide the fences or lift them for removal. Once the desired position of the fence is determined, retighten the fence screw securely.

## SPINDLE LOCK BUTTON

See Figure 6.

The spindle lock button locks the spindle (keeps the saw blade from turning). Depress and hold the lock button only while installing, changing, or removing the saw blade.

## SWITCH TRIGGER

See Figure 6.

The saw will not start until you depress the trigger lockout lever and squeeze the switch trigger. To prevent unauthorized use of the compound miter saw, disconnect it from the power supply and lock the switch in the **OFF** position. To lock the switch, install a padlock (not included) through the hole in the switch trigger and make certain the switch is inoperable. If the switch is still operable with the padlock installed, a padlock with a larger shackle diameter must be used. Store the padlock key in another location.

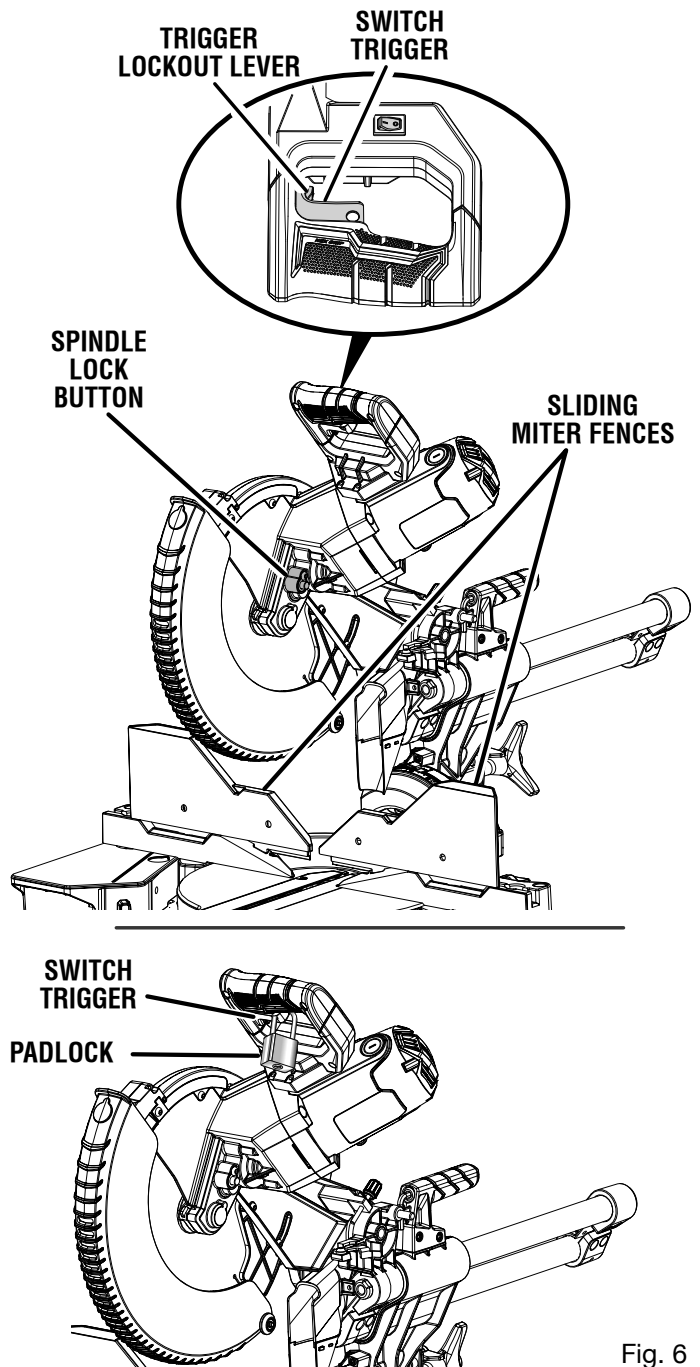


Fig. 6

# TOOLS NEEDED

The following tools (not included) are needed for making adjustments or installing the blade:

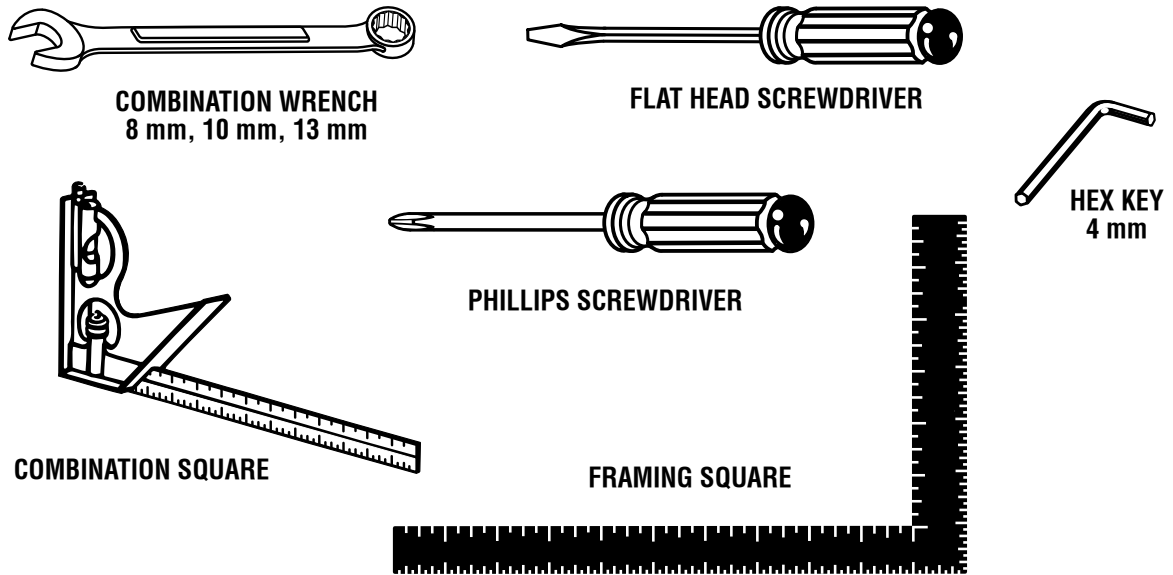


Fig. 7

# LOOSE PARTS

The following items are included with your miter saw:

- Dust Bag and Frame Assembly
- Work Clamp
- Blade
- Blade Wrench/Hex Key
- Sliding Miter Fences
- Operator's Manual (not shown)

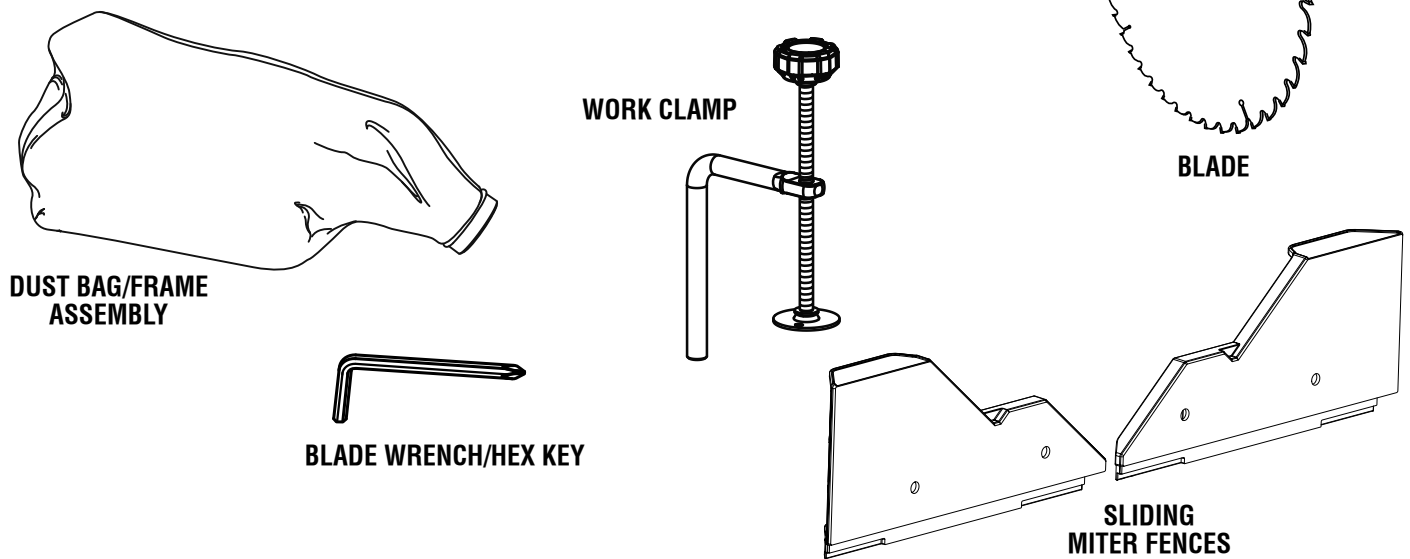


Fig. 8

## **⚠ WARNING:**

The use of attachments or accessories not listed might be hazardous and could cause serious personal injury.

# ASSEMBLY

## UNPACKING

This product requires assembly.

- Carefully lift saw from the carton by the carrying handle and the saw base, and place it on a level work surface.

### **⚠ WARNING:**

Do not use this product if any parts on the Loose Parts List are already assembled to your product when you unpack it. Parts on this list are not assembled to the product by the manufacturer and require customer installation. Use of a product that may have been improperly assembled could result in serious personal injury.

- This saw has been shipped with the saw arm secured in the down position. To release the saw arm, push down on the top of the saw arm, cut the tie-wrap, and pull out the lock pin.

### **⚠ WARNING:**

The saw arm is spring loaded. Hold the handle down to prevent the arm from snapping up when cutting the tie-wrap. Failure to do so could result in possible serious injury.

- Lift the saw arm by the "D" handle. Hand pressure should remain on the saw arm to prevent sudden rise upon release of the tie wrap.
- Cut the tie wrap at the end of the slide bar. Slide the saw head to its most rearward position and tighten the slide lock knob securely.
- Inspect the tool carefully to make sure no breakage or damage occurred during shipping.
- Do not discard the packing material until you have carefully inspected and satisfactorily operated the tool.

- The saw is factory set for accurate cutting. After assembling it, check for accuracy. If shipping has influenced the settings, refer to specific procedures explained in this manual.
- If any parts are damaged or missing, please call 1-866-539-1710 for assistance.

### **⚠ WARNING:**

If any parts are damaged or missing do not operate this product until the parts are replaced. Use of this product with damaged or missing parts could result in serious personal injury.

### **⚠ WARNING:**

Do not attempt to modify this product or create accessories not recommended for use with this tool. Any such alteration or modification is misuse and could result in a hazardous condition leading to possible serious personal injury.

### **⚠ WARNING:**

Do not connect to power supply until assembly is complete. Failure to comply could result in accidental starting and possible serious personal injury.

### **⚠ WARNING:**

Do not start the miter saw without checking for interference between the blade and the miter fence. Damage could result to the blade if it strikes the miter fence during operation of the saw.

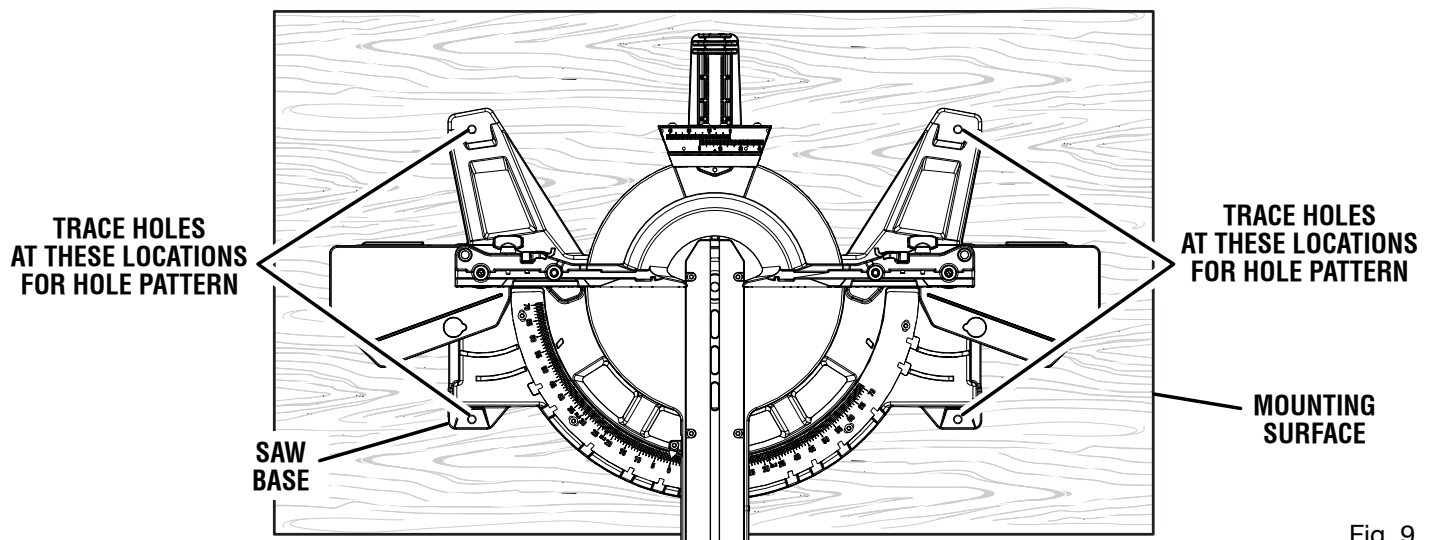


Fig. 9

# ASSEMBLY

## **⚠ WARNING:**

This saw can tip over if the saw head is released suddenly and the saw is not secured to a work surface. ALWAYS secure this saw to a stable work surface before any use to avoid serious personal injury.

## **MOUNTING HOLES**

See Figure 9.

## **⚠ WARNING:**

Before starting any cutting operation, clamp or bolt your miter saw to a workbench or an approved miter saw stand. If a miter saw stand is used, read operator's manual and follow the instructions for the miter saw stand. Never operate your miter saw on the floor or in a crouched position. Failure to heed this warning can result in serious personal injury.

The compound miter saw should be mounted to a firm supporting surface such as a workbench, mounting board, or miter saw stand. The saw base has four mounting holes. If using bolts or screws, they should be of sufficient length to accommodate the saw base, lock washers, hex nuts, and the thickness of the workbench or other mounting surface. Tighten all bolts or screws securely.

The hole pattern for mounting to a workbench is shown in figure 9. Carefully check the workbench after mounting to make sure that no movement can occur during use. If any tipping, sliding, or walking is noted, secure the workbench to the floor before operating.

## **INSTALLING MITER FENCES**

See Figure 10.

- Turn the fence lock knob counterclockwise, to clear fixed fence slots.
- Install the sliding miter fence. Lower fence into fence slots. Be sure side of fence lines up flush with side of fixed fence.
- Tighten fence screw securely. Repeat on other side.

## **DUST BAG AND FRAME ASSEMBLY**

See Figure 11.

To install the dust bag and frame assembly, slide the open end of the frame onto the exhaust port.

For efficient operation, empty the dust bag before it is half full. This will permit better air flow through the bag.

**NOTE:** The exhaust port also accepts a 1-1/4 in. vacuum hose and 1-1/4 in. wet/dry vacuum adaptors.

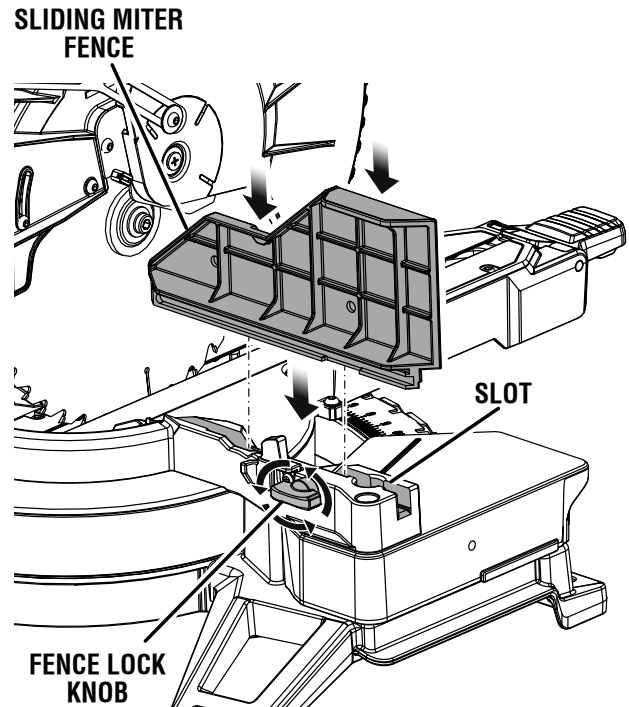


Fig. 10

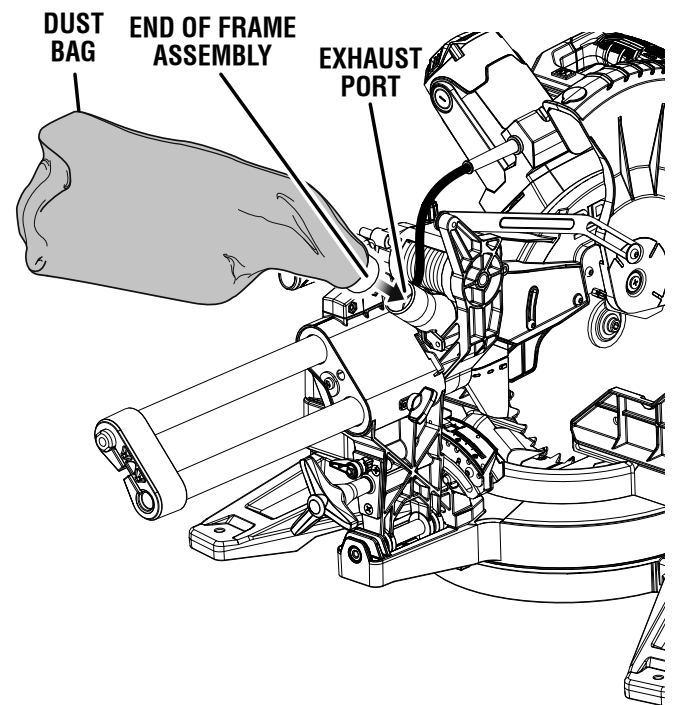


Fig. 11

# ASSEMBLY

## USING THE DEPTH GUIDE

See Figure 12.

When used, the depth guide limits the downward travel of the blade when cutting dadoes and other non-through cuts.

### To use the depth guide:

- Unplug the saw.
- Rotate the depth stop outward.
- With the end of the depth control knob touching the depth stop, adjust the depth control knob by turning the knob until the desired depth of cut is attained.
- A wooden spacer must be placed between the workpiece and the fence to create a distance of 2-1/2 inches between the workpiece and the fence for a consistent depth of cut in the workpiece. Use the work clamp to clamp the spacer and another suitable clamp to clamp the workpiece. Make the slide cut at the desired depth. See Figures 41 and 42.

- Rotate the depth stop inward for normal through cuts.

**NOTE:** The depth stop must be pushed in before locking/unlocking the saw arm.

## LOCKING / UNLOCKING THE SAW ARM

See Figure 12.

When locking and unlocking the saw arm, it is not necessary to loosen the depth control knob.

### To unlock and raise the saw arm:

- Firmly grasp the “D” handle and apply downward pressure while at the same time pulling the head lock pin out and away from the saw housing.
- Release the lock pin and slowly raise the saw arm.

### To lock the saw arm:

- Firmly grasp the “D” handle and apply downward pressure while at the same time pushing the head lock pin in and toward the saw housing.
- Release the lock pin allowing it to lock the saw into place.

## BLADE WRENCH

See Figure 13.

A blade wrench is included with this saw. One end of the wrench is a Phillips screwdriver and the other end is a hex key. Use the hex key end when installing or removing blade and the Phillips end when removing or loosening screws. A storage area for the blade wrench is located on the front of the carrying handle.

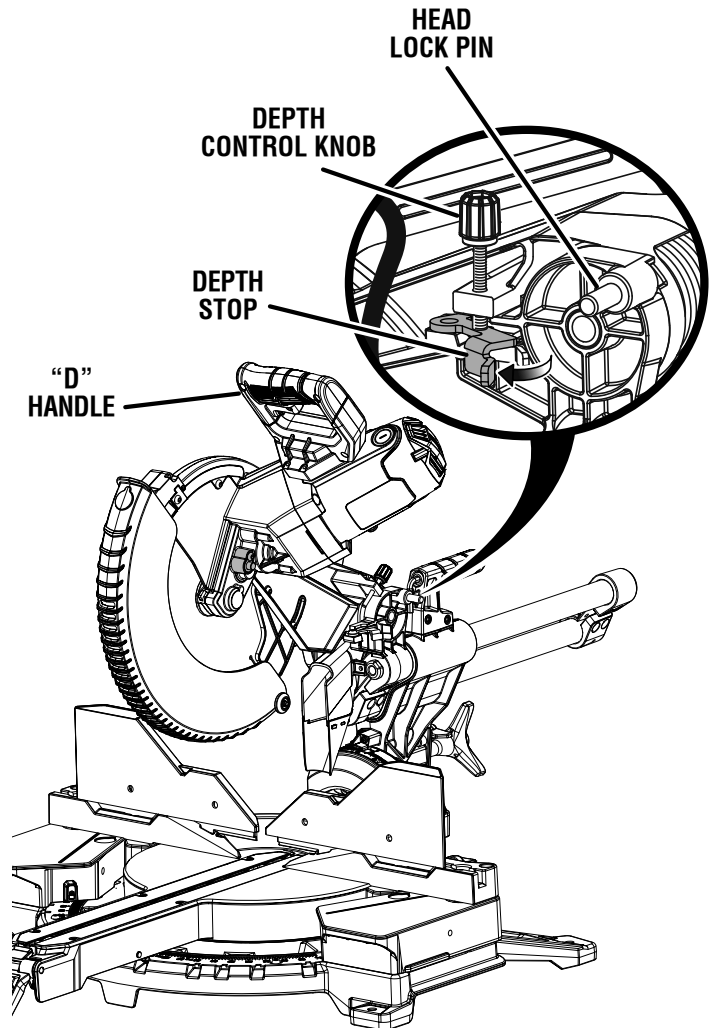


Fig. 12

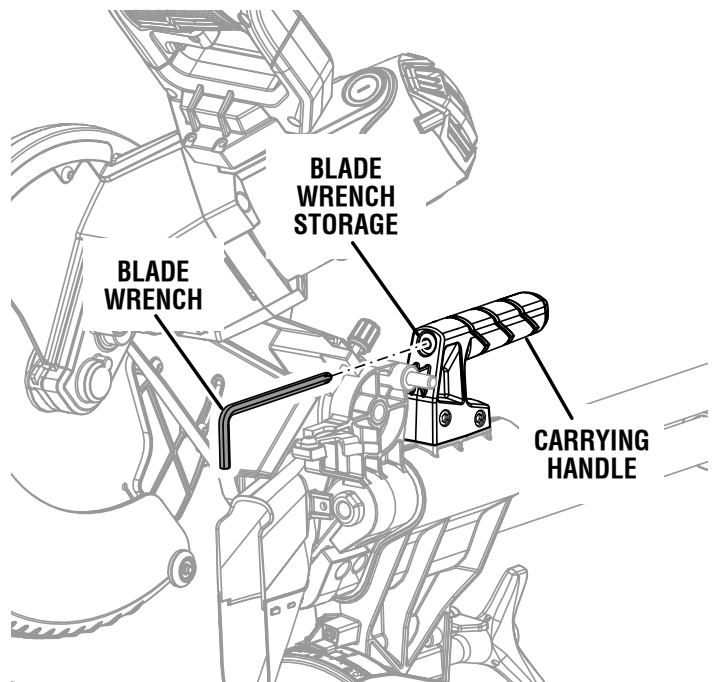


Fig. 13

# ASSEMBLY

## INSTALLING / REPLACING THE BLADE

See Figure 14.

### **WARNING:**

A 12 in. blade is the maximum blade capacity of the saw. Never use a blade that is too thick to allow outer blade washer to engage with the flats on the arbor. Larger blades will come in contact with the blade guards, while thicker blades will prevent the blade bolt from securing the blade on the arbor. Either of these situations could result in a serious accident and can cause serious personal injury.

- Unplug the saw.
- Raise saw arm.
- Rotate lower blade guard up and back to expose the blade bolt.
- Depress the spindle lock button and rotate the blade bolt until the spindle locks.
- Using the hex end of the blade wrench, loosen and remove the blade bolt from the arbor.  
**NOTE:** The blade bolt has left hand threads. Turn blade bolt clockwise to loosen.
- Remove the outer blade washer. **Do not** remove the ring or inner blade washer.
- Wipe a drop of oil onto the ring and the outer blade washer where they contact the blade.

### **WARNING:**

If ring and/or inner blade washer have been removed, replace them before placing blade on spindle. Failure to do so could cause an accident since blade will not tighten properly.

- Fit saw blade inside upper blade guard and onto the outer diameter of the ring and against the inner blade washer. The blade teeth point downward at the front of saw as shown in figure 14.
- Replace the outer blade washer. The double “D” flats on the blade washers align with the flats on the spindle.
- Depress spindle lock button and replace blade bolt.  
**NOTE:** The blade bolt has left hand threads. Turn blade bolt counterclockwise to tighten.

### **CAUTION:**

Always install the blade with the blade teeth and the arrow printed on the side of the blade pointing down at the front of the saw. The direction of blade rotation is also stamped with an arrow on the upper blade guard.

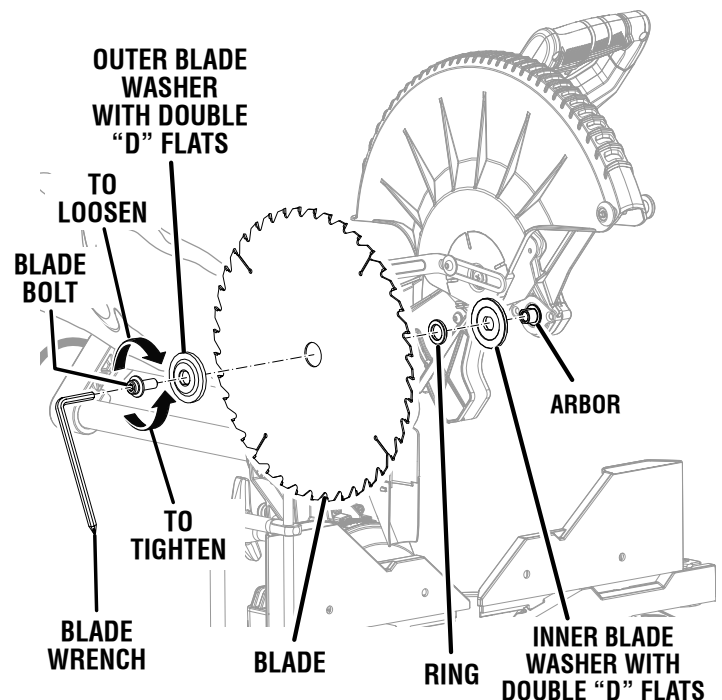
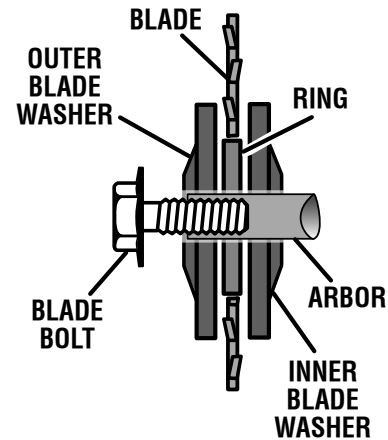


Fig. 14

- Tighten blade bolt securely.
- Lower the blade guard.
- Raise and lower the saw arm to ensure upper blade guard functions correctly.

### **WARNING:**

Make sure the spindle lock button is not engaged before reconnecting saw into power source. Never engage spindle lock button when blade is rotating.

# ASSEMBLY

## ADJUSTING/REMOVING/REPLACING THE ADJUSTABLE THROAT PLATE

See Figure 15.

When squaring the saw blade, it may be necessary to move the throat plate away from the blade. Once the saw's alignment has been confirmed, return the throat plate to its original position. Never operate the saw without a throat plate installed.

### To adjust the throat plate:

**NOTE:** The throat plate may be adjusted to (near) zero clearance to support thin materials.

- Unplug the saw.
- Using the hex wrench provided, loosen the screws securing the right side of the adjustable throat plate.  
**NOTE:** It may be necessary to adjust the sliding miter fence to access the screws closest to the blade.
- Slide the right side of the adjustable throat plate closer to or farther away from the blade.
- Retighten the screws, being careful not to overtighten which can cause the throat plate to bow or bend.
- Repeat the above steps for the left side of the throat plate.

### To remove/replace the throat plate:

- Unplug the saw.
- Remove the screws securing the throat plate.
- Lift the throat plate from the saw.
- To reinstall the throat plate, align the holes in the throat plate with the holes in the saw base.
- Retighten the screws, being careful not to overtighten which can cause the throat plate to bow or bend.

## INSTALLING THE WORK CLAMP

See Figure 16.

### **WARNING:**

In some operations, the work clamp assembly may interfere with the operation of the blade guard assembly. Always make sure there is no interference with the blade guard prior to beginning any cutting operation to reduce the risk of serious personal injury.

The work clamp provides greater control by clamping the workpiece to the miter table. It also helps to prevent the workpiece from creeping toward the saw blade. This is helpful when cutting compound miters. Depending on the cutting operation and the size of the workpiece, it may be necessary to use a C-clamp or other suitable clamp instead of the work clamp to secure the workpiece prior to making the cut. The work clamp can be installed and used on either side of the blade.

### To install the work clamp:

- Place the work clamp shaft in one of the holes located behind the sliding miter fence.
- Rotate the knob on the work clamp to move it up or down as needed.

**NOTE:** Many of the illustrations in this manual show only portions of the miter saw. This is intentional so that we can clearly show points being made in the illustrations. **Never operate the saw without all guards securely in place and in good operating condition.**

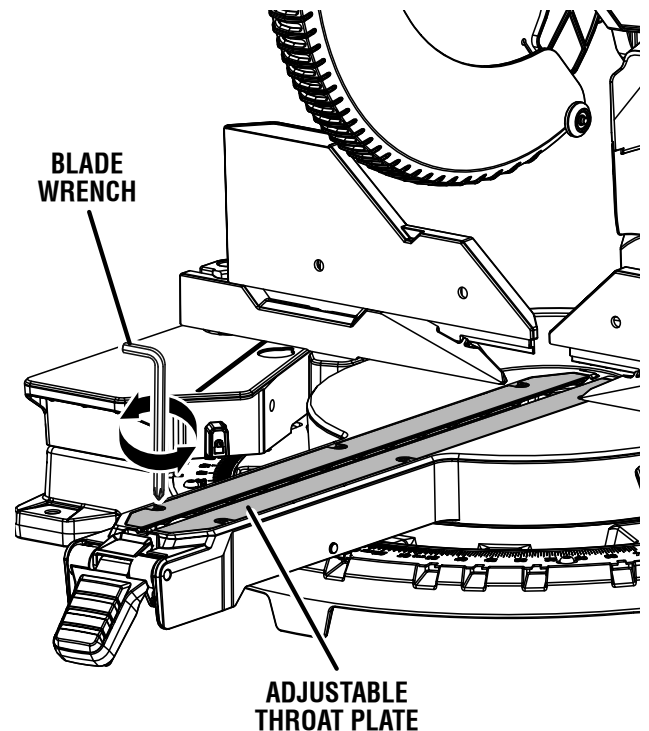


Fig. 15

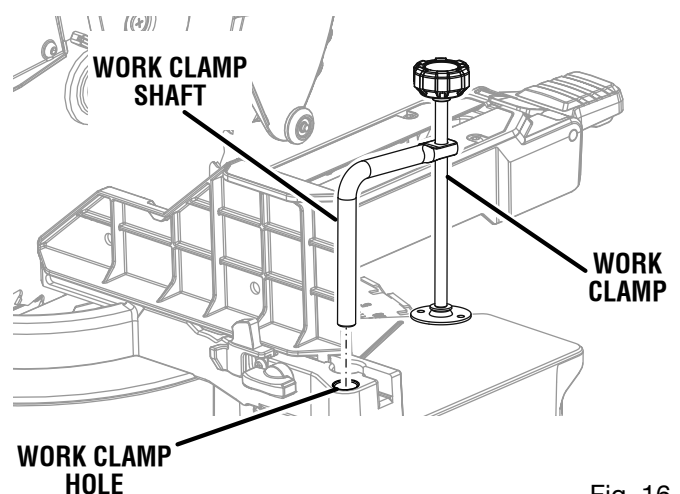


Fig. 16



# ASSEMBLY

## SQUARING THE SAW BLADE TO THE FENCE

See Figures 17 - 24.

- Unplug the saw.
- Slide the saw head to its most rearward position and tighten the slide lock knob securely.
- Pull the saw arm all the way down and lock in transport position.
- Loosen the bevel lock knob and disengage the bevel detent lever.
- Set the saw at the 0° bevel angle, engage the bevel detent lever, and ensure the saw engages the detent.
- Tighten the bevel lock knob.
- Lift the miter lock lever to unlock the miter table.
- Press the miter detent bypass half way and rotate the control arm until the pointer on the miter scale is positioned at 0°.
- Release the miter detent bypass and allow the miter table to engage the 0° detent position.
- Push the miter lock lever down to lock the miter table.
- Lay a framing square flat on the miter table. Place one leg of the square against the fixed fence. Slide the other leg of the square against the flat part of the saw blade.

**NOTE:** Make sure that the square contacts the flat part of the saw blade, not the blade teeth.

- The edge of the square and the saw blade should be parallel as shown in figure 19.

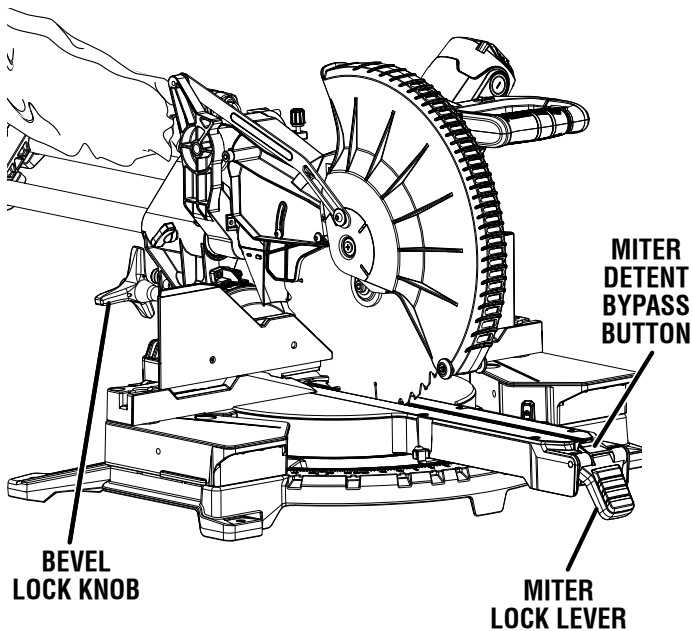


Fig. 17

- If the front or back edge of the saw blade angles away from the square as shown in figures 20 and 21, adjustments are needed.
- Rotate the extension tables to their fully extended position. See **To Make Extended Miter Cuts** later in this manual.

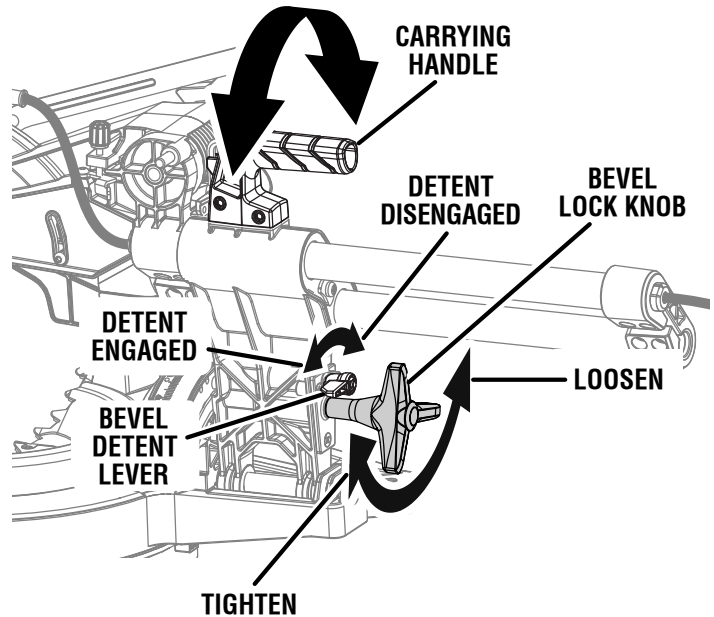


Fig. 18

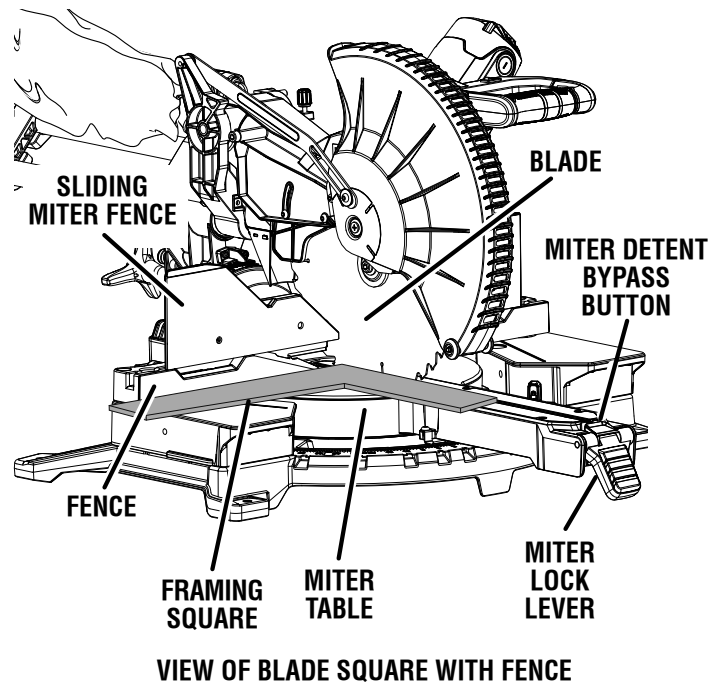
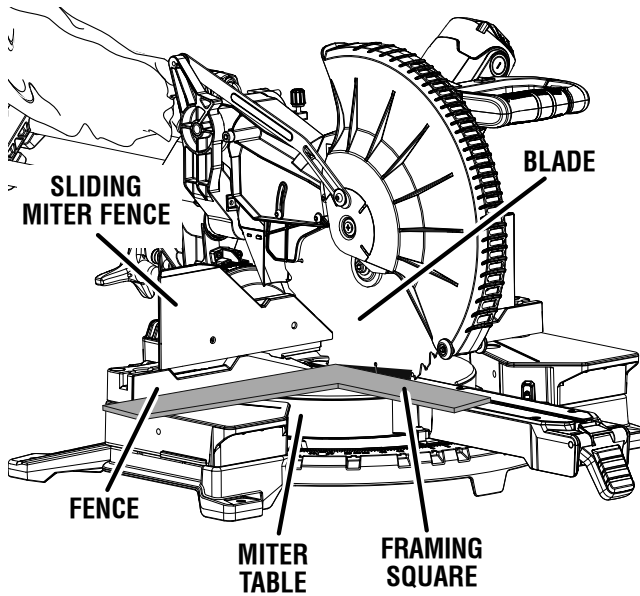


Fig. 19

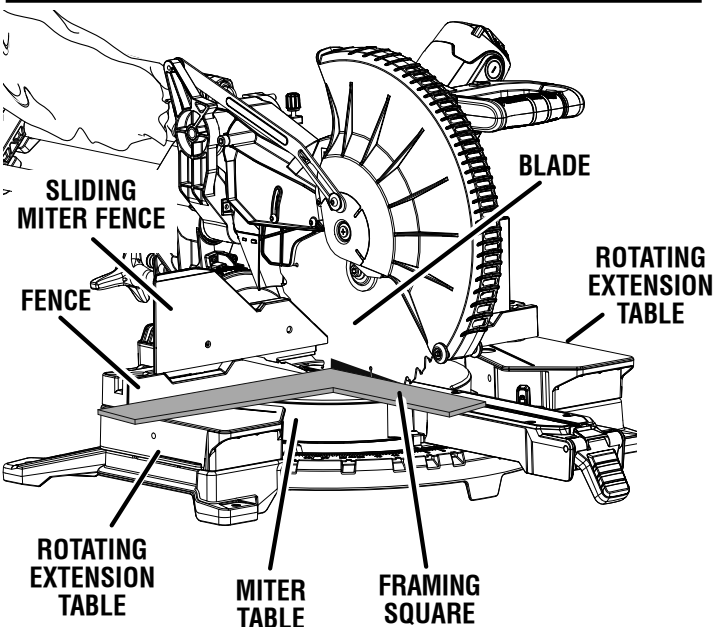
# ASSEMBLY

- Lift the miter lock lever to unlock the miter table.
- Press the miter detent bypass until it clicks. Release to bypass the detent function.
- Rotate the miter table until the pointer is at the 15° position on the miter scale.
- Using a 4 mm hex key, loosen the 5 screws that hold the miter scale/detent plate in place.
- Rotate the miter table until the blade is parallel with the framing square.
- Push the miter lock lever down to lock the miter table.



VIEW OF BLADE NOT SQUARE WITH FENCE, ADJUSTMENTS ARE REQUIRED

Fig. 20



VIEW OF BLADE NOT SQUARE WITH FENCE, ADJUSTMENTS ARE REQUIRED

Fig. 21

- Press the miter detent bypass until it clicks. Release to engage the detent function.
- Rotate the miter scale to the 0° position on the miter scale or until the detent engages in the detent plate.
- Tighten the 4 visible screws that secure the miter scale/detent plate.
- Lift the miter lock lever to unlock the miter table.
- Press the miter detent bypass button until it clicks, then rotate the miter table to the 15° position on the miter scale.
- Tighten the remaining screw to secure the miter scale/detent plate. Check blade squareness to fence and readjust if necessary.

Your saw has several scale indicators. After squaring adjustments have been made, it may be necessary to loosen the indicator screws and reset them to zero. See Figures 23 - 24.

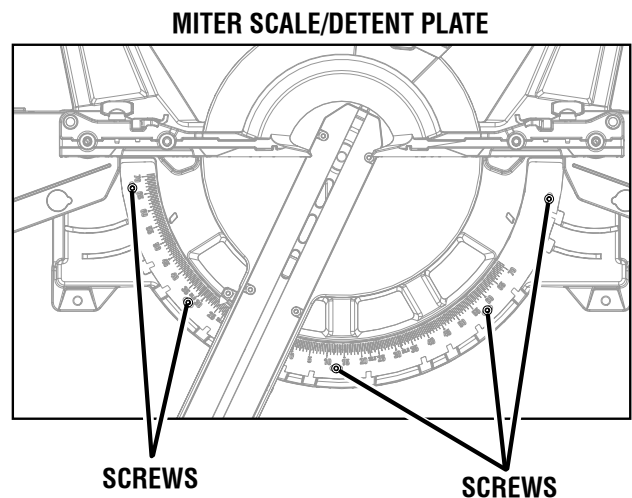


Fig. 22

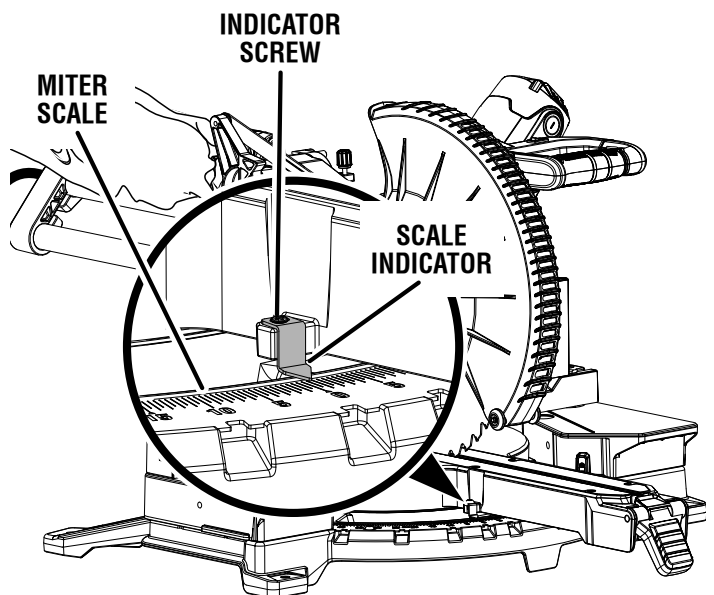


Fig. 23

# ASSEMBLY

## SQUARING THE BLADE TO THE MITER TABLE

See Figures 25 - 29.

- Unplug the saw.
- Slide the saw head to its most rearward position and tighten the slide lock knob securely.
- Pull the saw arm all the way down and lock in transport position.
- Lift the miter lock lever to unlock the miter table.
- Press the miter detent bypass half way and rotate the control arm until the pointer on the miter scale is positioned at 0°.
- Release the miter detent bypass and allow the miter table to engage the 0° detent position.
- Push the miter lock lever down to lock the miter table.

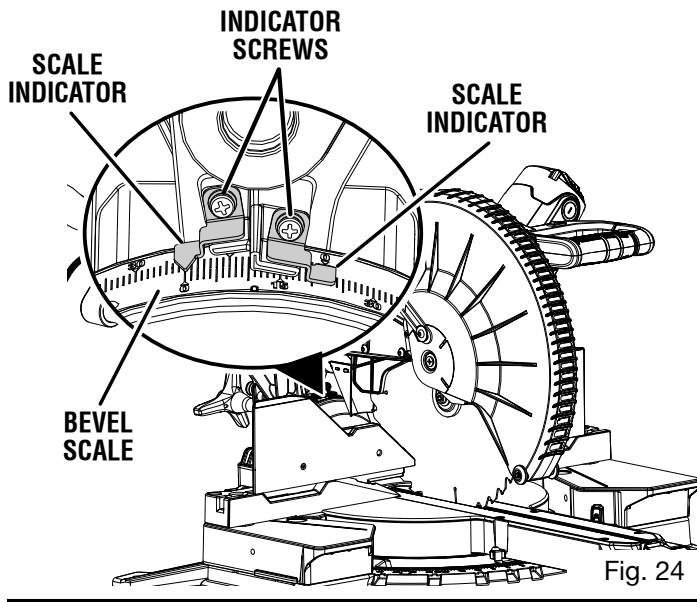


Fig. 24

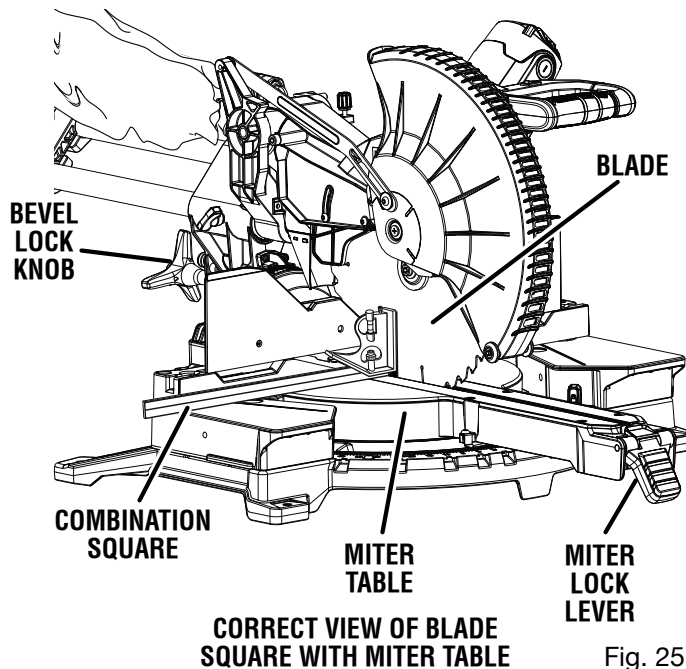


Fig. 25

- Loosen the bevel lock knob and disengage the bevel detent lever.

**NOTE:** Firmly grasp the “D” handle while loosening the bevel lock knob to prevent the saw head from shifting unexpectedly.

- Set the saw at the 0° bevel angle, engage the bevel detent lever and ensure the saw engages the detent.

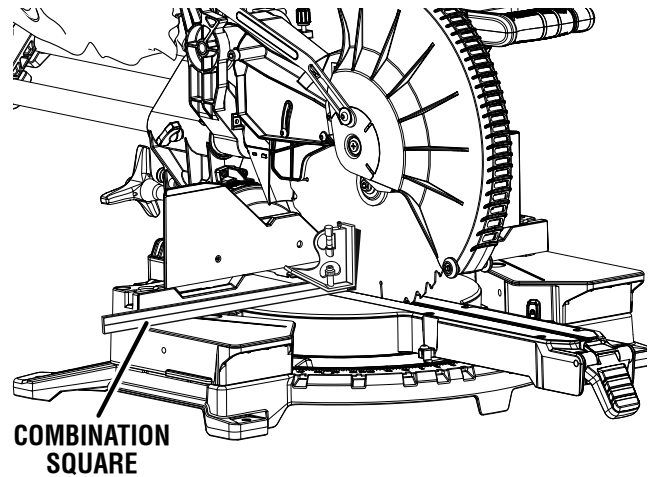
- Tighten the bevel lock knob.

- Place a combination square against the miter table and the flat part of the saw blade.

**NOTE:** Make sure that the square contacts the flat part of the saw blade, not the blade teeth.

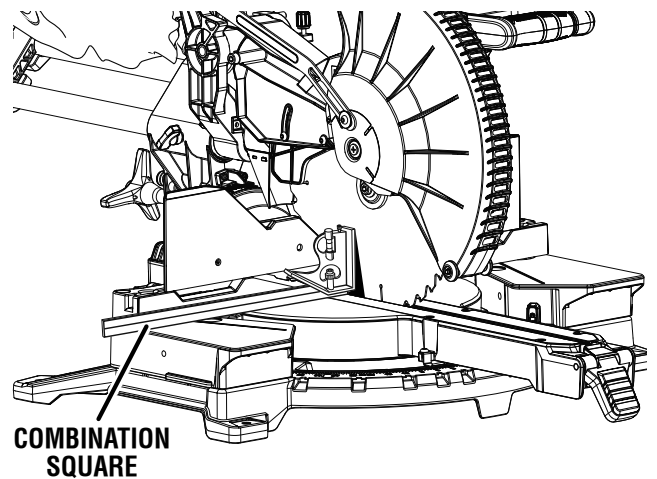
- Rotate the blade by hand and check the blade-to-table alignment at several points.

- The edge of the square and the saw blade should be parallel as shown in figure 25.



VIEW OF BLADE NOT SQUARE WITH MITER TABLE, ADJUSTMENTS ARE REQUIRED

Fig. 26



VIEW OF BLADE NOT SQUARE WITH MITER TABLE, ADJUSTMENTS ARE REQUIRED

Fig. 27

# ASSEMBLY

- If the top or bottom of the saw blade angles away from the square as shown in figures 26 and 27, adjustments are needed.
- Remove the bevel lock dust cover.
- Loosen the bevel lock knob and disengage the bevel detent lever.
- Set the bevel at any angle that allows access to the 4 screws on the back of the bevel lock bracket.
- Tighten the bevel lock knob.
- Using a 4 mm hex wrench, loosen the 4 screws that hold the bevel detent plate in place. Do not remove the screws.
- Loosen the bevel lock knob and disengage the bevel detent lever.
- Set the saw at the 0° bevel angle, engage the bevel detent lever and ensure the saw engages the detent.
- Check the 0° angle using a combination square.
- If adjustment is needed, use a 4 mm hex key to turn the micro adjust screw on the front of the bevel lock bracket to bring saw blade into alignment with the square.
- Tighten the bevel lock knob.
- Tighten the 2 outermost screws that retain the bevel detent plate.
- Loosen the bevel lock knob and disengage the bevel detent lever.
- Set the bevel at 45°. Tighten the bevel lock knob.
- Tighten the remaining 2 screws that retain the bevel detent plate.
- Replace the bevel lock dust cover and tighten the screws securely. Recheck blade-to-table alignment.

Your saw has several scale indicators. After squaring adjustments have been made, it may be necessary to loosen the indicator screws and reset them to zero. *See Figures 23 - 24.*

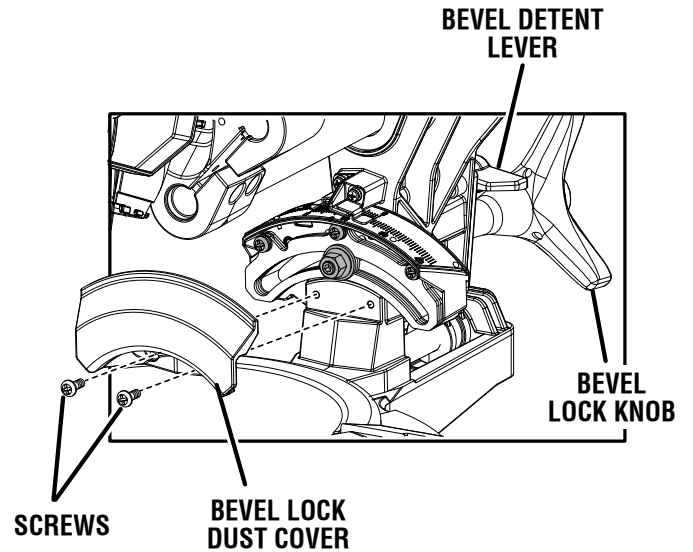
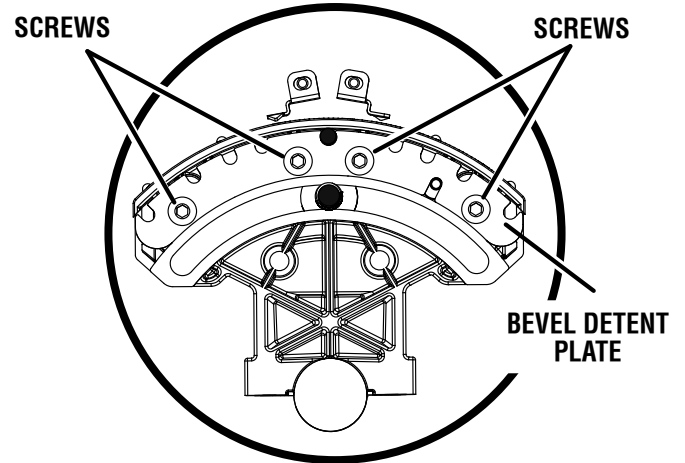


Fig. 28

## BACK OF BEVEL LOCK BRACKET



## FRONT OF BEVEL LOCK BRACKET

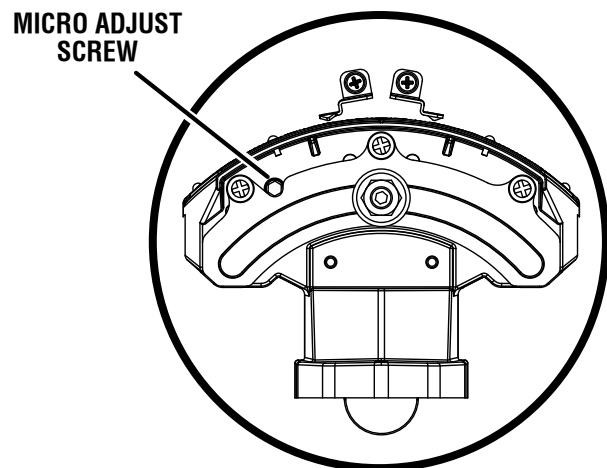


Fig. 29

# OPERATION

---

---

## **WARNING:**

Do not allow familiarity with tools to make you careless. Remember that a careless fraction of a second is sufficient to inflict severe injury.

---

---

## **WARNING:**

Always wear eye protection with side shields marked to comply with ANSI Z87.1. Failure to do so could result in objects being thrown into your eyes, resulting in possible serious injury.

---

---

## **WARNING:**

Do not use any attachments or accessories not recommended by the manufacturer of this tool. The use of attachments or accessories not recommended can result in serious personal injury.

---

## **APPLICATIONS**

This product has been designed only for the purposes listed below:

- Cross cutting wood and plastic (do not cut metals, ceramics or masonry products.)
- Cross cutting miters, joints, etc. for picture frames, moldings, door casings, and fine joinery
- Bevel cutting and compound cutting
- Cross cutting wide workpieces

**NOTE:** The blade provided is fine for most wood cutting operations, but for fine joinery cuts or cutting plastic, use one of the accessory blades available from the place of purchase of your new RIDGID® miter saw.

---

---

## **WARNING:**

Before starting any cutting operation, clamp or bolt your miter saw to a workbench or leg stand. Never operate your miter saw on the floor or in a crouched position. Failure to heed this warning can result in serious personal injury.

---

---

## **WARNING:**

To avoid serious personal injury, always push the miter lock lever down and tighten the bevel lock knob securely before making a cut. Failure to do so could result in movement of the control arm or miter table while making a cut.

---

---

## **WARNING:**

To avoid serious personal injury, keep your hands outside the no hands zone; at least 4 in. (100 mm) from blade. Never perform any cutting operation freehand (without holding workpiece against the fence). The blade could grab the workpiece if it slips or twists.

---

---

## **WARNING:**

Do not start your compound miter saw without checking for interference between the blade and the miter fence. Damage could result to the blade if it strikes the miter fence during operation of the saw. Failure to heed this warning can also result in serious personal injury.

---

# OPERATION

## CUTTING WITH YOUR SLIDING COMPOUND MITER SAW

### **⚠️ WARNING:**

When using a work clamp or C-clamp to secure your workpiece, clamp workpiece on one side of the blade only. The workpiece must remain free on one side of the blade to prevent the blade from binding in workpiece. The workpiece binding the blade will cause motor stalling and kickback. This situation could cause an accident resulting in possible serious personal injury.

### **⚠️ WARNING:**

NEVER move the workpiece or make adjustment to any cutting angle while the saw is running and the blade is rotating. Any slip can result in contact with the blade causing serious personal injury.

### **⚠️ WARNING:**

Do not try to cut narrow pieces using the sliding feature. Failure to follow this warning could result in serious personal injury.

## LED LIGHTING SYSTEM

See Figure 30.

### **⚠️ WARNING:**

Do not stare into the light beam (not even from a distance). Staring into the light beam may result in serious injury or vision loss.

The LED lighting system casts the shadow of the blade onto the workpiece. This results in greater accuracy of cuts and requires no adjustments.

To use this feature, turn the LED switch on.

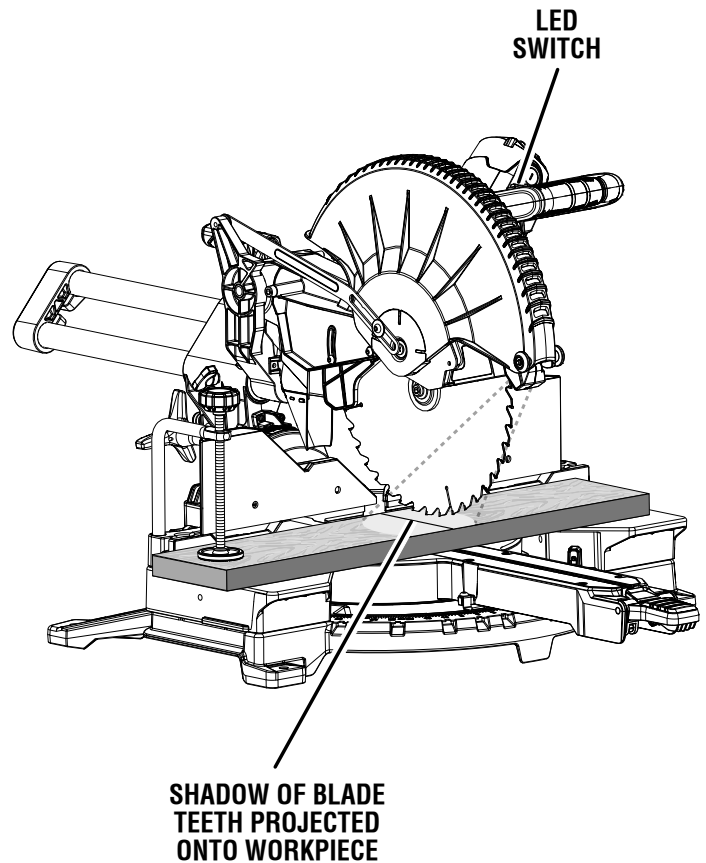


Fig. 30

Bring the saw arm down so that the blade is approximately 1/4 in. from the workpiece. The shadow of the blade will be projected onto the workpiece, indicating where the blade teeth will make contact as the cut is made.

## TO MAKE NON-SLIDING CUTS

### **⚠️ WARNING:**

Securely tighten the slide lock knob when making any non-sliding cuts. Failure to tighten the knob could result in the saw head moving during the cutting operation.

# OPERATION

## TO MITER CUT/CROSS CUT

See Figures 31 - 32.

A cross cut is made by cutting across the grain of the workpiece. A straight cross cut is made with the miter table set at the 0° position. Miter cross cuts are made with the miter table set at some angle other than 0°.

**NOTE:** It may be necessary to adjust the sliding miter fence to ensure proper clearance prior to making the cut.

- Slide the saw head to its most rearward position and tighten the slide lock knob securely.
- Raise saw arm to its full height.
- Lift the miter lock lever, then press the miter detent bypass in all the way.
- Rotate the control arm until the pointer aligns with the desired angle on the miter scale.

**NOTE:** You can quickly locate 0°, 15°, 22.5°, 31.6°, 45°, 60° and 67.5° left or right by pressing the miter detent bypass button halfway as you rotate the control arm. The control arm will seat itself in one of the indexed stops, located in the miter table base.

- Push the miter lock lever down to lock the miter table.
- Place the workpiece flat on the miter table with one edge securely against the fence. If the board is warped, place the convex side against the fence. If the concave edge of a board is placed against the fence, the board could collapse on the blade at the end of the cut, jamming the blade. See Figures 51 and 52.
- When cutting long pieces of lumber or molding, support the opposite end of the stock with a roller stand or with a work surface level with the saw table. See Figure 39.
- Turn the LED switch on.
- Lower the blade and align the cutting line on the workpiece with the edge of saw blade or the blade shadow.
- Grasp the stock firmly with one hand and secure it against the fence. Use the work clamp, C-clamp, or other suitable clamp to secure the workpiece when possible.
- Before turning on the saw, perform a dry run of the cutting operation to make sure that no problems will occur when the cut is made.
- Grasp the saw handle firmly. Depress the trigger lockout lever and squeeze the switch trigger. Allow several seconds for the blade to reach maximum speed.

## CROSS CUT

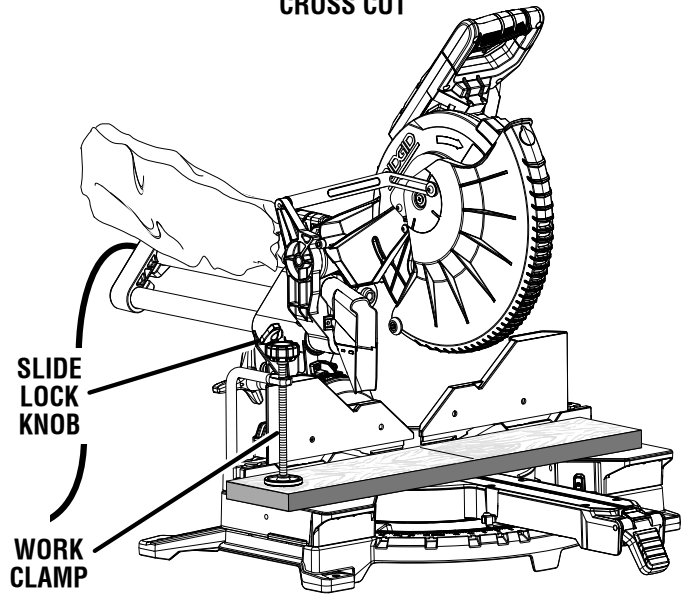


Fig. 31

## MITER CUT

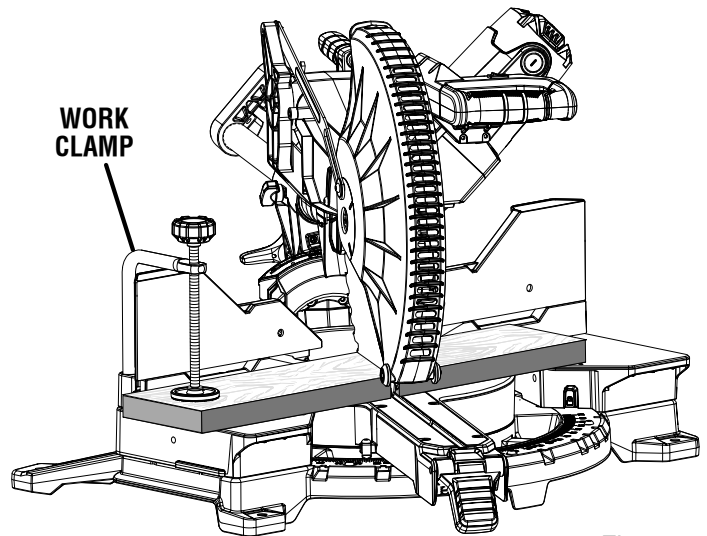


Fig. 32

- Slowly lower the blade into and through the workpiece.
- Release the switch trigger and allow the saw blade to stop rotating before raising the blade out of workpiece and removing the workpiece from the miter table.

# OPERATION

## TO MAKE EXTENDED MITER CUTS

See Figures 33 - 35.

The extended miter capacity of the saw allows you to make miter cuts up to 70°. Using the miter extension tables, you can cut 22.5° miters for acute 45° corners.

The rotating extension tables can be set to one of three positions, depending on the desired type of cut.

Use the rotating extension tables when making miter cuts greater than 45°.

- Slide the saw head to its most rearward position and tighten the slide lock knob securely.
- Raise saw arm to its full height.
- Slide out the fence on the side opposite of where the cut will be made. This ensures that the bevel lock bracket will not bump against the fence when setting the blade for extended miter cuts.
- To rotate the extension tables outward, press the table lock button and select one of the preset positions.
- Release the table lock button and move the table until it locks into position.
- Lift the miter lock lever, then press the miter detent bypass in all the way.
- Rotate the control arm until the pointer aligns with the desired angle on the miter scale.

**NOTE:** You can quickly locate 0°, 15°, 22.5°, 31.6°, 45°, 60° and 67.5° left or right by pressing the miter detent bypass button halfway as you rotate the control arm. The control arm will seat itself in one of the indexed stops, located in the miter table base.

- Push the miter lock lever down to lock the miter table.
- Turn the LED switch on.
- Lower the blade and align the cutting line on the workpiece with the edge of saw blade or the blade shadow.
- Grasp the stock firmly with one hand and secure it against the fence. Use the work clamp, C-clamp, or other suitable clamp to secure the workpiece when possible.

### **WARNING:**

For extended miter cuts, place the clamp on the large miter angle side of the table. Clamping or holding the workpiece on the small miter angle side of the table may place your hand too close to the blade and cause serious personal injury.

- Before turning on the saw, perform a dry run of the cutting operation to make sure that no problems will occur when the cut is made.
- Grasp the saw handle firmly. Depress the trigger lockout lever and squeeze the switch trigger. Allow several seconds for the blade to reach maximum speed.

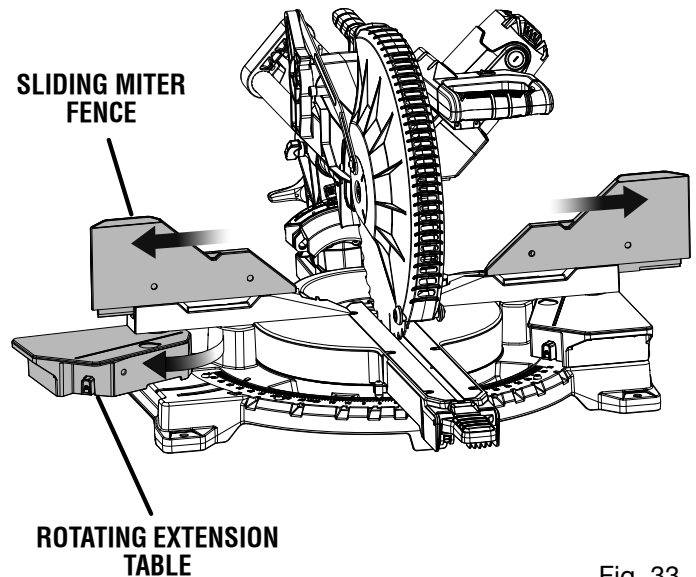


Fig. 33

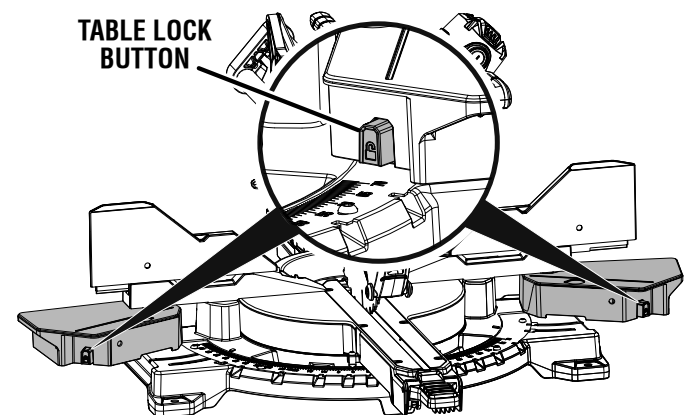


Fig. 34

## EXTENDED MITER CUT

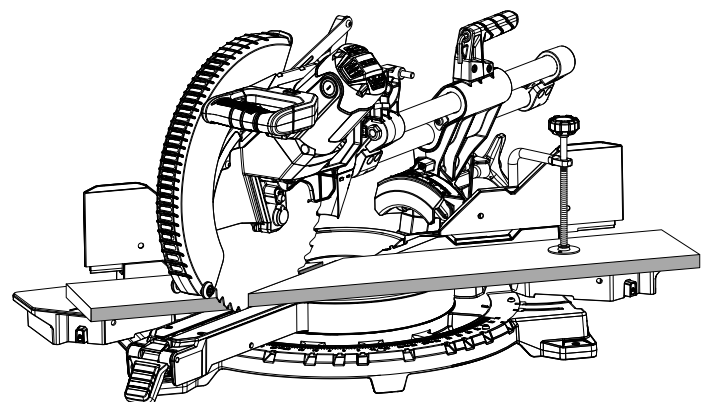


Fig. 35



# OPERATION

- Slowly lower the blade into and through the workpiece.
- Release the switch trigger and allow the saw blade to stop rotating before raising the blade out of workpiece and removing the workpiece from the miter table.

## TO BEVEL CUT

See Figures 36 - 37.

A bevel cut is made by cutting across the grain of the workpiece with the blade angled to the workpiece. A straight bevel cut is made with the miter table set at the zero degree position and the blade set at an angle between 0° and 48°.

**NOTE:** It may be necessary to adjust or remove the sliding miter fence to insure proper clearance prior to making the cut.

- Slide the saw head to its most rearward position and tighten the slide lock knob securely.
- Raise saw arm to its full height.
- Lift the miter lock lever and press the miter detent bypass button. Set the miter table to zero.
- Push the miter lock lever down to lock the miter table.
- Loosen the bevel lock knob.

**NOTE:** Firmly grasp the “D” handle while loosening the bevel lock knob to prevent the saw head from shifting unexpectedly.

- Move the bevel detent lever to the detent engaged position to select one of the preset bevel settings or place the bevel detent lever in the detent disengaged position to select any desired setting.

**NOTE:** Indexed bevel positions are located at 0°, 15°, 22.5°, 33.9°, and 45° left or right.

- Tighten the bevel lock knob.
- Place the workpiece flat on the miter table with one edge securely against the fence. If the board is warped, place the convex side against the fence. If the concave edge of a board is placed against the fence, the board could collapse on the blade at the end of the cut, jamming the blade. See Figures 51 - 52.

- When cutting long pieces of lumber or molding, support the opposite end of the stock with a roller stand or with a work surface level with the saw table. See Figure 39.

- Turn the LED switch on.
- Lower the blade and align the cutting line on the workpiece with the edge of saw blade or the blade shadow.
- Grasp the stock firmly with one hand and secure it against the fence. Use the work clamp, C-clamp, or other suitable clamp to secure the workpiece when possible.
- Before turning on the saw, perform a dry run of the cutting operation to make sure that no problems will occur when the cut is made.

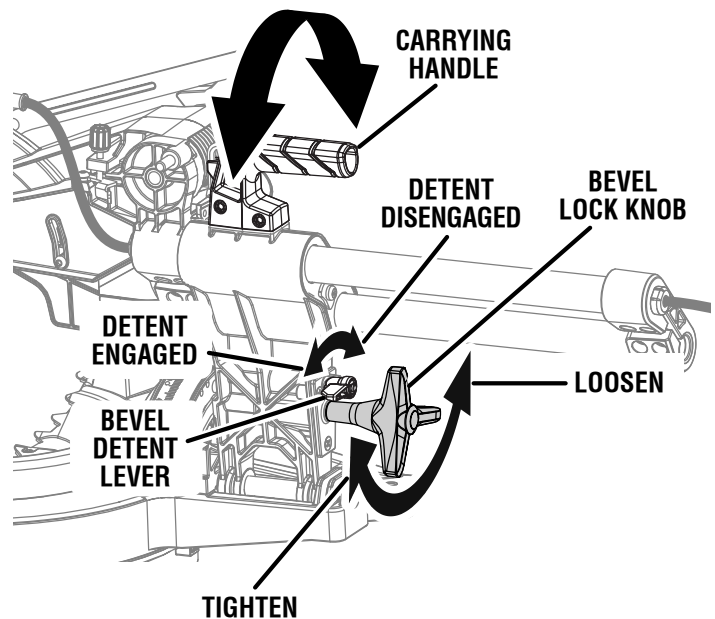


Fig. 36

## BEVEL CUT

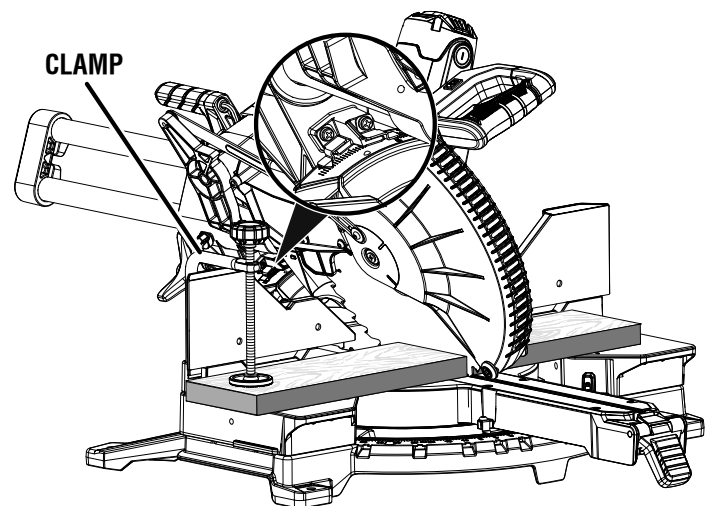


Fig. 37

- Grasp the saw handle firmly. Depress the trigger lockout lever and squeeze the switch trigger. Allow several seconds for the blade to reach maximum speed.
- Slowly lower the blade into and through the workpiece.
- Release the switch trigger and allow the saw blade to stop rotating before raising the blade out of the workpiece and removing the workpiece from the miter table.

# OPERATION

## TO COMPOUND MITER CUT

See Figure 38.

A compound miter cut is a cut made using a miter angle and a bevel angle at the same time. This type of cut is used to make picture frames, cut molding, make boxes with sloping sides, and for certain roof framing cuts.

To make this type of cut the control arm on the miter table must be rotated to the correct angle and the saw arm must be tilted to the correct bevel angle. Care should always be taken when making compound miter setups due to the interaction of the two angle settings.

Adjustments of miter and bevel settings are interdependent with one another. Each time you adjust the miter setting you change the effect of the bevel setting. Also, each time you adjust the bevel setting you change the effect of the miter setting.

It may take several settings to obtain the desired cut. The first angle setting should be checked after setting the second angle, since adjusting the second angle affects the first.

Once the two correct settings for a particular cut have been obtained, always make a test cut in scrap material before making a finish cut in good material.

**NOTE:** It may be necessary to adjust or remove the sliding miter fence to insure proper clearance prior to making the cut.

- Slide the saw head to its most rearward position and tighten the slide lock knob securely.
- Raise saw arm to its full height.
- Lift the miter lock lever, then press the miter detent bypass in all the way.
- Rotate the control arm until the pointer aligns with the desired angle on the miter scale.

**NOTE:** You can quickly locate 0°, 15°, 22.5°, 31.6°, 45°, 60° and 67.5° left or right by pressing the miter detent bypass button halfway as you rotate the control arm. The control arm will seat itself in one of the indexed stops, located in the miter table base.

- Push the miter lock lever down to lock the miter table.
- Loosen the bevel lock knob.

**NOTE:** Firmly grasp the “D” handle while loosening the bevel lock knob to prevent the saw head from shifting unexpectedly.

- Move the bevel detent lever to the detent engaged position to select one of the preset bevel settings or place the bevel detent lever in the detent disengaged position to select any desired setting.

**NOTE:** Indexed bevel positions are located at 0°, 15°, 22.5°, 33.9°, and 45° left or right.

- Tighten the bevel lock knob.

## COMPOUND MITER CUT

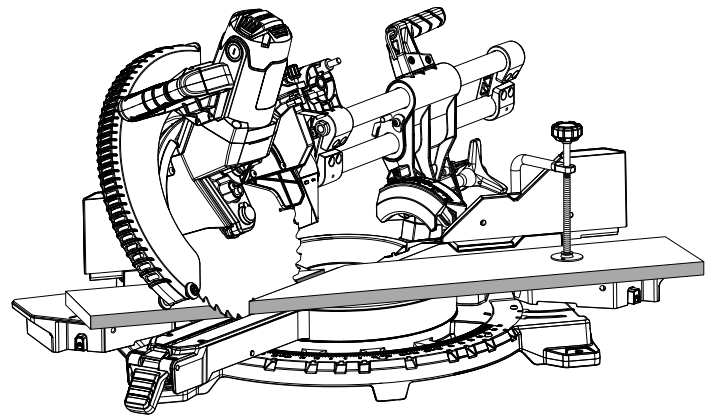


Fig. 38

- Place the workpiece flat on the miter table with one edge securely against the fence. If the board is warped, place the convex side against the fence. If the concave edge of a board is placed against the fence, the board could collapse on the blade at the end of the cut, jamming the blade. See Figures 51 - 52.
- When cutting long pieces of lumber or molding, support the opposite end of the stock with a roller stand or with a work surface level with the saw table. See Figure 39.
- Turn the LED switch on.
- Lower the blade and align the cutting line on the workpiece with the edge of saw blade or the blade shadow.
- Grasp the stock firmly with one hand and secure it against the fence. Use the work clamp, C-clamp, or other suitable clamp to secure the workpiece when possible.
- Before turning on the saw, perform a dry run of the cutting operation to make sure that no problems will occur when the cut is made.
- Grasp the saw handle firmly. Depress the trigger lockout lever and squeeze the switch trigger. Allow several seconds for the blade to reach maximum speed.
- Slowly lower the blade into and through the workpiece.
- Release the switch trigger and allow the saw blade to stop rotating before raising the blade out of workpiece and removing the workpiece from the miter table.

# OPERATION

## SUPPORTING LONG WORKPIECES

See Figures 39 - 40.

Long workpieces need extra supports. Supports, roller stand, or work surface level with the saw table should be placed along the workpiece so it does not sag. The support should let the workpiece lay flat on the base of the saw and work table during the cutting operation. Use the work clamp, C-clamp, or other suitable clamp to secure the workpiece when possible.

**NOTE:** When making a compound miter cut as shown in figure 40, it may be necessary to adjust or remove the sliding miter fence to ensure proper clearance prior to making the cut.

### WARNING:

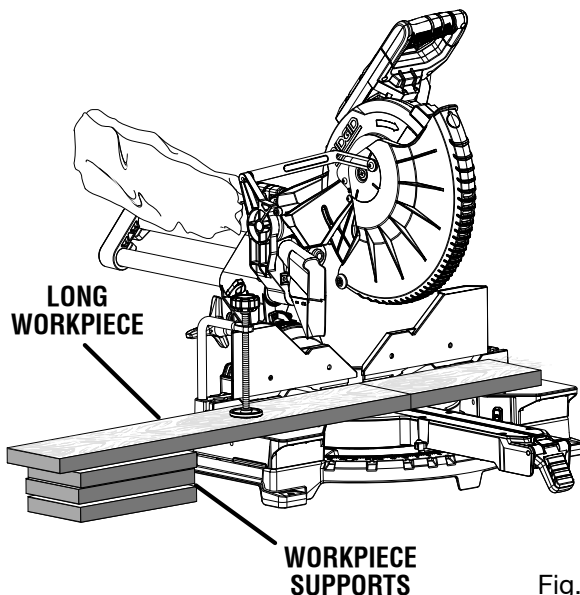
Never make a cut by pulling the saw toward you as the blade can climb on top of the workpiece and come toward you. Failure to heed this warning could result in serious personal injury.

## TO SLIDE CUT

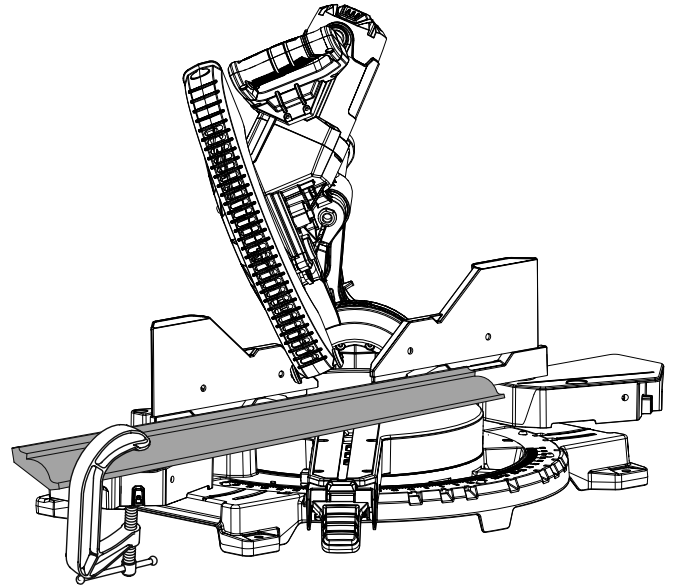
See Figures 41 - 42.

The sliding feature will cut workpieces 14 in. wide x 4-1/2 in. thick and 16 in. wide by 1-1/2 in. thick.

With the saw off, pull the saw arm forward. Turn the saw on (let blade reach maximum speed), push the blade down cutting into the workpiece then back toward the rear of the saw to make a cut. Cuts are made by pushing the saw blade away from you and toward the bevel scale at the back of the saw stopping when the full rear position has been reached after each cut. When the saw is running (turned on), **NEVER** pull the saw blade toward you or toward the front of the saw.



- Raise saw arm to its full height.
- Place the workpiece flat on the miter table with one edge securely against the fence. If the board is warped, place the convex side against the fence. If the concave edge

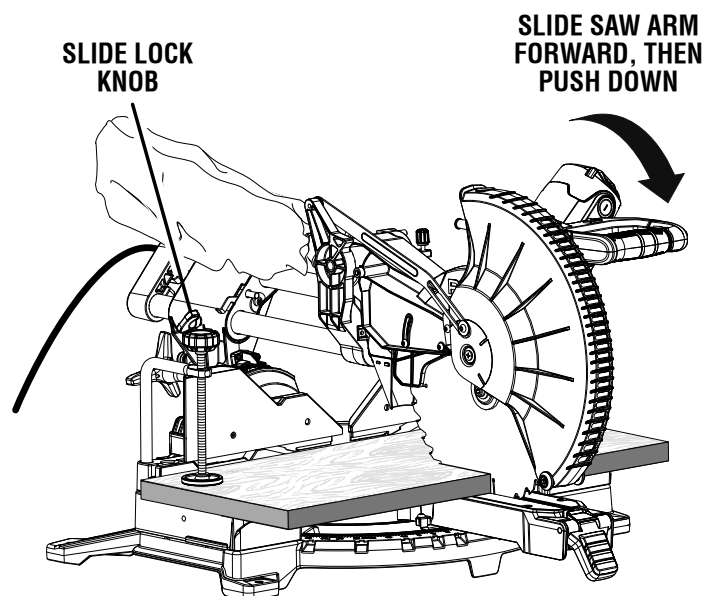


45° x 45° COMPOUND MITER CUT

**NOTE: DO NOT INSTALL CLAMPS ONTO ANY MOVING PARTS OF THE SAW.**

Fig. 40

## SLIDE CUT



# OPERATION

of a board is placed against the fence, the board could collapse on the blade at the end of the cut, jamming the blade. See Figures 51 and 52.

- When cutting long pieces of lumber or molding, support the opposite end of the stock with a roller stand or with a work surface level with the saw table. See Figure 39.
- Turn the LED switch on.
- Lower the blade and align the cutting line on the workpiece with the edge of saw blade or the blade shadow.
- Loosen the slide lock knob by turning the knob counter-clockwise.
- Grasp the stock firmly with one hand and secure it against the fence. Use the work clamp, C-clamp, or other suitable clamp to secure the workpiece when possible.
- Before turning on the saw, perform a dry run of the cutting operation to make sure that no problems will occur when the cut is made.
- With the saw off, grasp the saw handle firmly then pull the saw forward until the blade arbor (center of the saw blade) is over the front of the workpiece or until the saw is fully extended.
- Grasp the saw handle firmly. Depress the trigger lockout lever and squeeze the switch trigger. Allow several seconds for the blade to reach maximum speed.
- Slowly lower the blade into and through the front edge of the workpiece.
- Push the saw handle away from you and toward the bevel scale at the back of the saw.
- Release the switch trigger and allow the saw blade to stop rotating before raising the blade out of workpiece and removing the workpiece from miter table.

## MAKING AN AUXILIARY FENCE

See Figure 43.

Depending on the size and position of the workpiece, certain unusual cuts may benefit from the additional support that can be provided by an auxiliary fence. The holes provided in the sliding miter fence are used to secure an auxiliary fence in place.

**NOTE:** The auxiliary fence can only be used when the bevel is set at 0°. When making a bevel cut, the auxiliary fence **MUST** be removed.

**NOTE:** It may be necessary to adjust the sliding miter fence to ensure proper clearance prior to installing auxiliary fence.

### To attach the auxiliary fence to the saw:

- Make sure the fence lock knob is tightened securely.
- Place one 10 in. long piece of wood against the miter fence and aligned with the left edge of the miter table.
- Clamp the wood tightly against the fence and drive wood screws from the back of the fence through the two holes and into the auxiliary fence. If necessary, drill a pilot hole

into wood first to prevent splitting. Remove clamp when finished.

**NOTE:** Make sure the screws you use to attach the auxiliary fence do not pass through the front face of the fence and the length of the screws will not put them in the path of the blade at any angle.

- Make full left miter cut through the auxiliary fence.

**NOTE:** Check for interference between the auxiliary fence and the lower blade guard. Correct any interference before proceeding.

- Repeat steps with second board by aligning with right side of miter table and making a full right miter cut through the auxiliary fence.

### SLIDE CUT

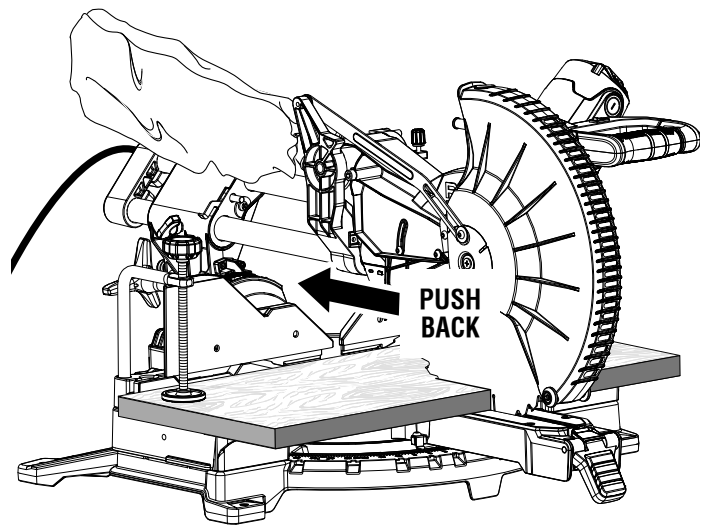


Fig. 42

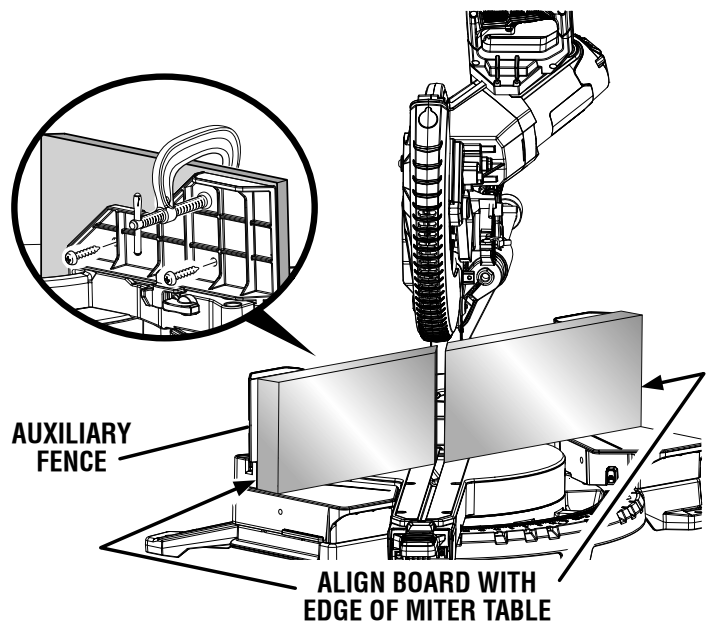


Fig. 43

# OPERATION

## ROUGH CUTTING A DADO

See Figures 44 - 45.

Using a wood chisel and the depth guide, it is possible to make a rough dado cut. The marks on the depth guide are to be used for reference only. Always make a practice cut on scrap wood.

### To use the depth guide:

- Unplug the saw.
- Rotate the depth stop outward.
- With the depth control knob touching the depth stop, adjust the depth control knob by turning the knob until the desired depth of cut is attained.
- A wooden spacer must be placed between the workpiece and the fence to create a distance of 2-1/2 inches between the workpiece and the fence for a consistent depth of cut in the workpiece. Use the work clamp to clamp the spacer and another suitable clamp to clamp the workpiece.
- Rotate the depth stop inward for normal through cuts.

**NOTE:** The depth stop must be pushed in before locking/unlocking the saw arm.

### To make the cut:

- Unlock the slide lock knob.
- Raise the saw arm to its full height.
- With the saw off, pull the saw arm forward. Turn the saw on (let blade reach maximum speed), then push the blade down on top of the workpiece then back toward the rear of the saw to make a cut. See Figures 41 and 42.
- Cut two outside grooves in the workpiece.
- Using a wood chisel, remove the material between the two outside grooves.

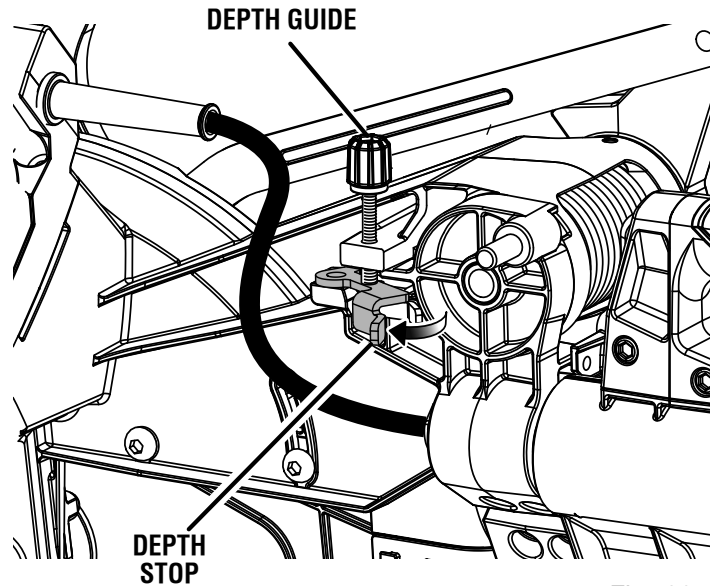


Fig. 44

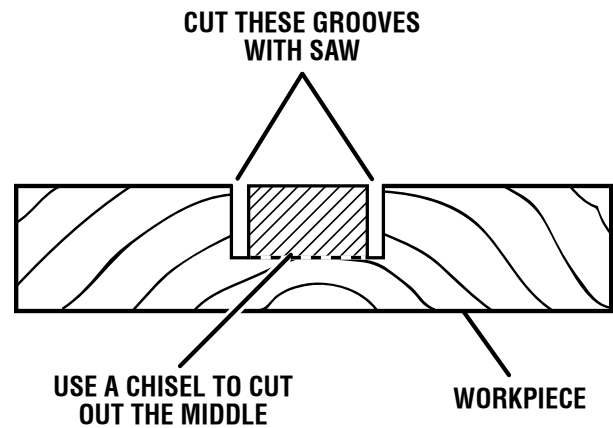


Fig. 45

# OPERATION

## CUTTING COMPOUND MITERS

To aid in making the correct settings, the compound angle setting chart below has been provided. Since compound cuts are the most difficult to accurately obtain, trial cuts should be made in scrap material, and much thought and planning made, prior to making your required cut.

PITCH OF SIDE	NUMBER OF SIDES						
	4	5	6	7	8	9	10
0°	M- 45.00° B- 0.00°	M- 36.00° B- 0.00°	M- 30.00° B- 0.00°	M- 25.71° B- 0.00°	M- 22.50° B- 0.00°	M- 20.00° B- 0.00°	M- 18.00° B- 0.00°
5°	M- 44.89° B- 3.53°	M- 35.90° B- 2.94°	M- 29.91° B- 2.50°	M- 25.63° B- 2.17°	M- 22.42° B- 1.91°	M- 19.93° B- 1.71°	M- 17.94° B- 1.54°
10°	M- 44.56° B- 7.05°	M- 35.58° B- 5.86°	M- 29.62° B- 4.98°	M- 25.37° B- 4.32°	M- 22.19° B- 3.81°	M- 19.72° B- 3.40°	M- 17.74° B- 3.08°
15°	M- 44.01° B- 10.55°	M- 35.06° B- 8.75°	M- 29.15° B- 7.44°	M- 24.95° B- 6.45°	M- 21.81° B- 5.68°	M- 19.37° B- 5.08°	M- 17.42° B- 4.59°
20°	M- 43.22° B- 14.00°	M- 34.32° B- 11.60°	M- 28.48° B- 9.85°	M- 24.35° B- 8.53°	M- 21.27° B- 7.52°	M- 18.88° B- 6.72°	M- 16.98° B- 6.07°
25°	M- 42.19° B- 17.39°	M- 33.36° B- 14.38°	M- 27.62° B- 12.20°	M- 23.56° B- 10.57°	M- 20.58° B- 9.31°	M- 18.26° B- 8.31°	M- 16.41° B- 7.50°
30°	M- 40.89° B- 20.70°	M- 32.18° B- 17.09°	M- 26.57° B- 14.48°	M- 22.64° B- 12.53°	M- 19.73° B- 11.03°	M- 17.50° B- 9.85°	M- 15.72° B- 8.89°
35°	M- 39.32° B- 23.93°	M- 30.76° B- 19.70°	M- 25.31° B- 16.67°	M- 21.53° B- 14.41°	M- 18.74° B- 12.68°	M- 16.60° B- 11.31°	M- 14.90° B- 10.21°
40°	M- 37.45° B- 27.03°	M- 29.10° B- 22.20°	M- 23.86° B- 18.75°	M- 20.25° B- 16.19°	M- 17.60° B- 14.24°	M- 15.58° B- 12.70°	M- 13.98° B- 11.46°
45°	M- 35.26° B- 30.00°	M- 27.19° B- 24.56°	M- 22.21° B- 20.70°	M- 18.80° B- 17.87°	M- 16.32° B- 15.70°	M- 14.43° B- 14.00°	M- 12.94° B- 12.62°
50°	M- 32.73° B- 32.80°	M- 25.03° B- 26.76°	M- 20.36° B- 22.52°	M- 17.20° B- 19.41°	M- 14.91° B- 17.05°	M- 13.17° B- 15.19°	M- 11.80° B- 13.69°
55°	M- 29.84° B- 35.40°	M- 22.62° B- 28.78°	M- 18.32° B- 24.18°	M- 15.44° B- 20.82°	M- 13.36° B- 18.27°	M- 11.79° B- 16.27°	M- 10.56° B- 14.66°
60°	M- 26.57° B- 37.76°	M- 19.96° B- 30.60°	M- 16.10° B- 25.66°	M- 13.54° B- 22.07°	M- 11.70° B- 19.35°	M- 10.31° B- 17.23°	M- 9.23° B- 15.52°
65°	M- 22.91° B- 39.86°	M- 17.07° B- 32.19°	M- 13.71° B- 26.95°	M- 11.50° B- 23.16°	M- 9.93° B- 20.29°	M- 8.74° B- 18.06°	M- 7.82° B- 16.26°
70°	M- 18.88° B- 41.64°	M- 13.95° B- 33.53°	M- 11.17° B- 28.02°	M- 9.35° B- 24.06°	M- 8.06° B- 21.08°	M- 7.10° B- 18.75°	M- 6.34° B- 16.88°
75°	M- 14.51° B- 43.08°	M- 10.65° B- 34.59°	M- 8.50° B- 28.88°	M- 7.10° B- 24.78°	M- 6.12° B- 21.69°	M- 5.38° B- 19.29°	M- 4.81° B- 17.37°
80°	M- 9.85° B- 44.14°	M- 7.19° B- 35.37°	M- 5.73° B- 29.50°	M- 4.78° B- 25.30°	M- 4.11° B- 22.14°	M- 3.62° B- 19.68°	M- 3.23° B- 17.72°
85°	M- 4.98° B- 44.78°	M- 3.62° B- 35.84°	M- 2.88° B- 29.87°	M- 2.40° B- 25.61°	M- 2.07° B- 22.41°	M- 1.82° B- 19.92°	M- 1.62° B- 17.93°
90°	M- 0.00° B- 45.00°	M- 0.00° B- 36.00°	M- 0.00° B- 30.00°	M- 0.00° B- 25.71°	M- 0.00° B- 22.50°	M- 0.00° B- 20.00°	M- 0.00° B- 18.00°

Each B (Bevel) and M (Miter) Setting is Given to the Closest 0.005°.

### COMPOUND-ANGLE SETTINGS FOR POPULAR STRUCTURES

# OPERATION

## CUTTING CROWN MOLDING

The compound miter saw does an excellent job of cutting crown molding. In general, compound miter saws do a better job of cutting crown molding than any other tool.

In order to fit properly, crown molding must be compound mitered with extreme accuracy.

The two contact surfaces on a piece of crown molding that fit flat against the ceiling and the wall of a room are at angles that, when added together, equal exactly 90°. Most crown molding has a top rear angle (the section that fits flat against the ceiling) of 52° and a bottom rear angle (the section that fits flat against the wall) of 38°.

## LAYING MOLDING FLAT ON THE MITER TABLE

See Figure 46.

To use this method for accurately cutting crown molding for a 90° inside or outside corner, lay the molding with its broad back surface flat on the miter table with one edge against the fence.

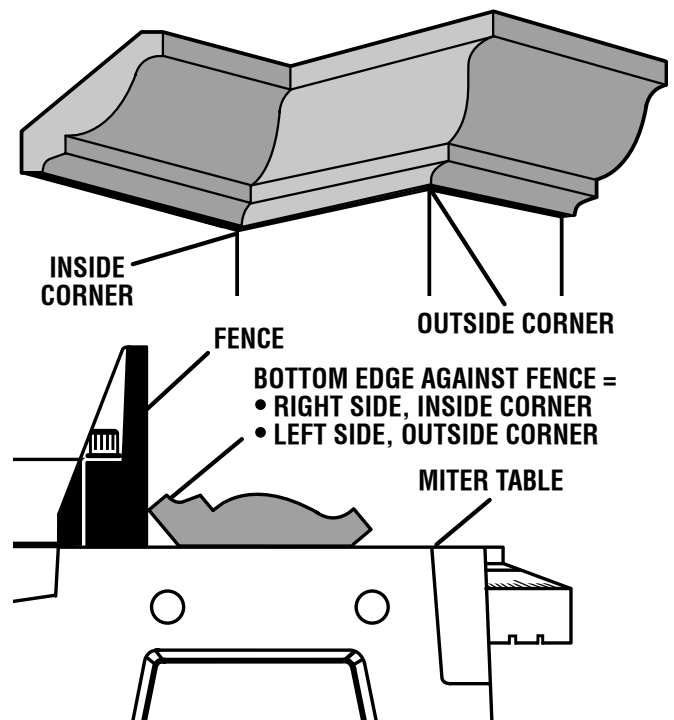
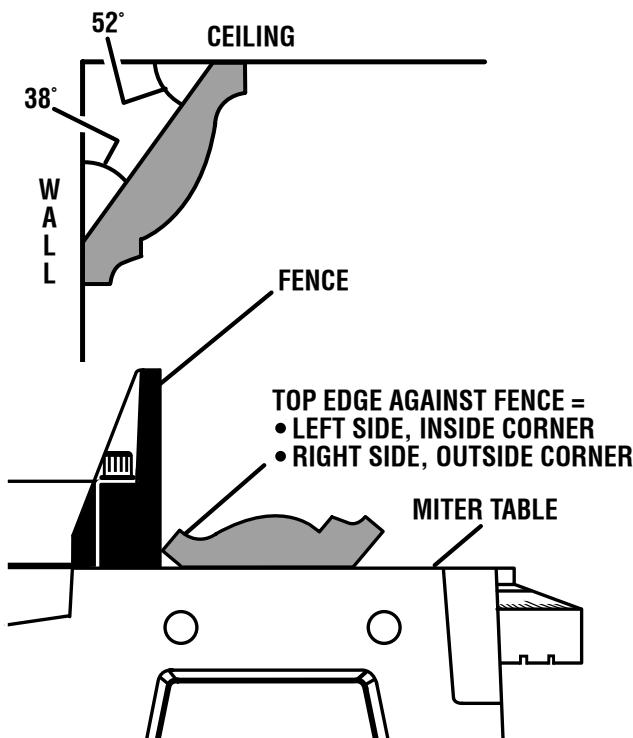
When setting the bevel and miter angles for compound miters, remember that the settings are interdependent; changing one angle changes the other angle as well.

Keep in mind that the angles for crown molding are very precise and difficult to set. Since it is very easy for these angles to shift, all settings should first be tested on scrap molding. Also most walls do not have angles of exactly 90°; therefore, you will need to fine tune your settings.

When cutting crown molding by this method, the bevel angle should be set at 33.85°. The miter angle should be set at 31.6° either right or left, depending on the desired cut for the application. See the chart below for correct angle settings and correct positioning of crown molding on miter table.

The settings in the chart below can be used for cutting All Standard (U.S.) crown molding with 52° and 38° angles. The crown molding is placed flat on the miter table using the compound features of your miter saw.

Bevel Angle Setting	Type of Cut
33.85°	Left side, inside corner 1. Top edge of molding against fence 2. Miter table set right 31.62° 3. Save left end of cut
33.85°	Right side, inside corner 1. Bottom edge of molding against fence 2. Miter table set left 31.62° 3. Save left end of cut
33.85°	Left side, outside corner 1. Bottom edge of molding against fence 2. Miter table set left 31.62° 3. Save right end of cut
33.85°	Right side, outside corner 1. Top edge of molding against fence 2. Miter table set right 31.62° 3. Save right end of cut



CROWN MOLDING FLAT ON MITER TABLE

Fig. 46

# OPERATION

Bevel Angle Setting	Type of Cut
0°	Left side, inside corner 1. Top edge of molding against fence 2. Miter table set right 45° 3. Save left end of cut
0°	Right side, inside corner 1. Bottom edge of molding against fence 2. Miter table set left 45° 3. Save left end of cut
0°	Left side, outside corner 1. Bottom edge of molding against fence 2. Miter table set left 45° 3. Save right end of cut
0°	Right side, outside corner 1. Top edge of molding against fence 2. Miter table set right 45° 3. Save right end of cut

## CUTTING NESTED CROWN MOLDING USING CROWN STOPS

(Crown Stops Sold Separately as an Accessory)

See Figure 47.

Crown stops may be purchased as an accessory to this saw for use in cutting crown molding in a nested position.

**NOTE:** There are two holes in each miter table extension. The crown stop may be installed at either location for making the desired type of cut.

### To attach the crown stops to the extension table:

- Position a crown stop on the extension table.
- Insert the threaded crown stop lock knob through the long slot in the crown stop and into Hole A as shown, but do not fully tighten to allow for adjustment of the crown stop.
- Set the top of the piece of crown molding on the table. Position the spring angles so that the bottom angle is flat on the table and the top angle is flush against the miter fence.
- Tighten the lock knob securely before making the cut.

**NOTE:** Hole B is used for extended miter cuts when the rotating extension table is in the farthest outboard position.

## REPOSITIONING THE SLIDING MITER FENCES

See Figure 48.

The sliding miter fences may be repositioned for making miter cuts when additional support is needed closer to the saw blade. This is helpful when making 45° miter cuts for crown molding and baseboard.

### To reposition the miter fences:

- Unplug the saw.
- Loosen the fence lock knob on the back of each sliding fence section.
- Lift and remove the sliding miter fences.
- Place the left sliding miter fence on the right side of the tool and the right sliding miter fence on the left side.
- Reinstall the sliding fences so that they drop into the slot in the fixed fence and slide inward until fence stops.
- Tighten the fence lock knob securely for each sliding miter fence.
- Perform a dry run prior to making any cut after repositioning the sliding miter fences to ensure there is no interference.

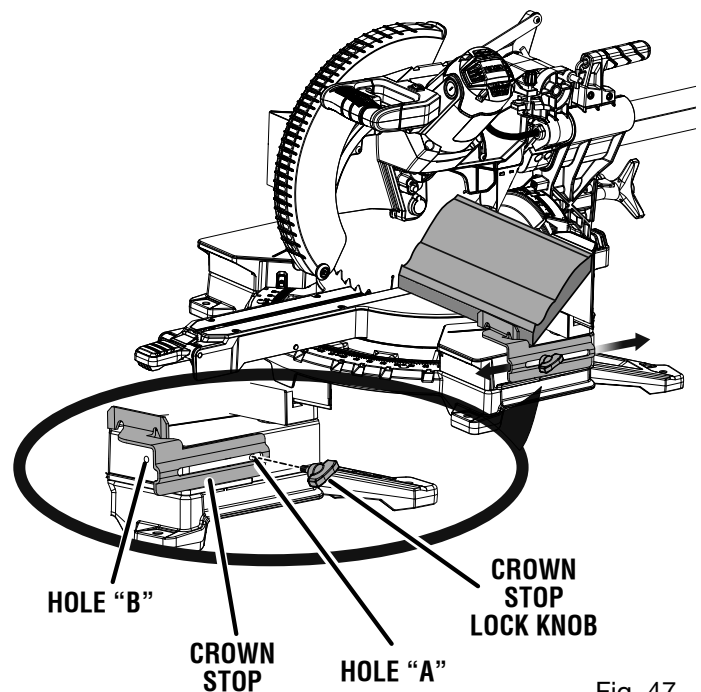


Fig. 47

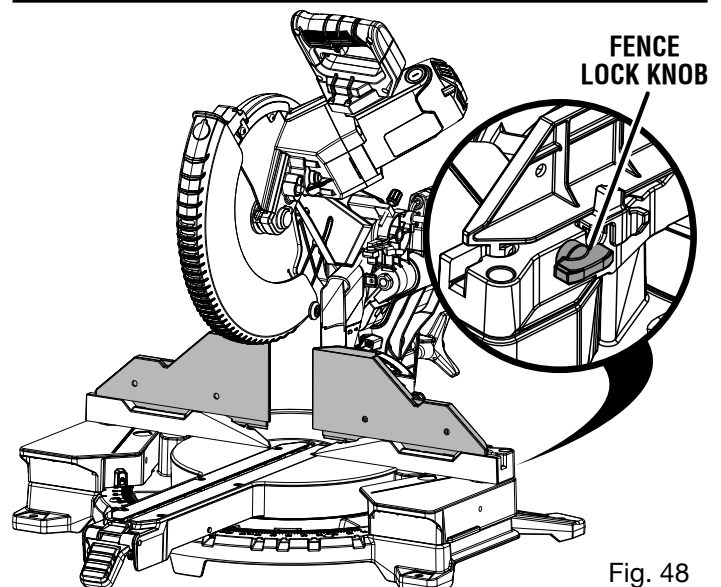


Fig. 48



# OPERATION

## CROWN AND BASEBOARD SETTING LEVER

See Figure 49.

The crown and baseboard setting lever is helpful when making miter cuts up to 45° for tall crown molding and vertical baseboard.

Use the crown setting for tall crown molding of 4-5/8 in. and taller.

**NOTE:** For cutting crown molding less than 4-5/8 in. tall, slide the saw head to the rear most position with the crown and baseboard setting lever in the down position.

### To position for tall crown molding:

- Reposition the sliding miter fences as described in the previous section.
- Loosen the slide lock knob and pull the saw head forward.
- Flip the crown and baseboard setting lever up.  
**NOTE:** This lever position is for left and right miter cuts up to 45°
- Push the saw head all the way toward the rear of the saw until the saw head stops and tighten the slide lock knob.
- Perform a dry run prior to making any cut after repositioning the sliding miter fences to ensure there is no interference.
- To disengage the crown setting lever, unlock the slide lock knob, push the crown and baseboard setting lever down.

### To position for vertical base molding:

- Reposition the sliding miter fences as described in the previous section.
- Loosen the slide lock knob and push the saw away from you and toward the rear of the saw.
- Flip the crown and baseboard setting lever up while pulling the saw head toward the front of the saw until the baseboard lock groove engages.  
**NOTE:** This lever position is for cuts between 45° left and 45° right.
- Tighten the slide lock knob securely.
- Perform a dry run prior to making any cut after repositioning the sliding miter fences to ensure there is no interference.
- To disengage the baseboard setting lever, unlock the slide lock knob, push the crown and baseboard setting lever down.

## VERTICALLY CUTTING BASE MOLDING AGAINST THE MITER FENCE

See Figure 50.

- Reposition the sliding miter fences.
- Set the bevel angle at 0° and the miter angle at 45° to either the left or the right. (For making 90° corners.)
- Place and secure the base molding vertically against the fence using a spring clamp and hold the base molding securely.

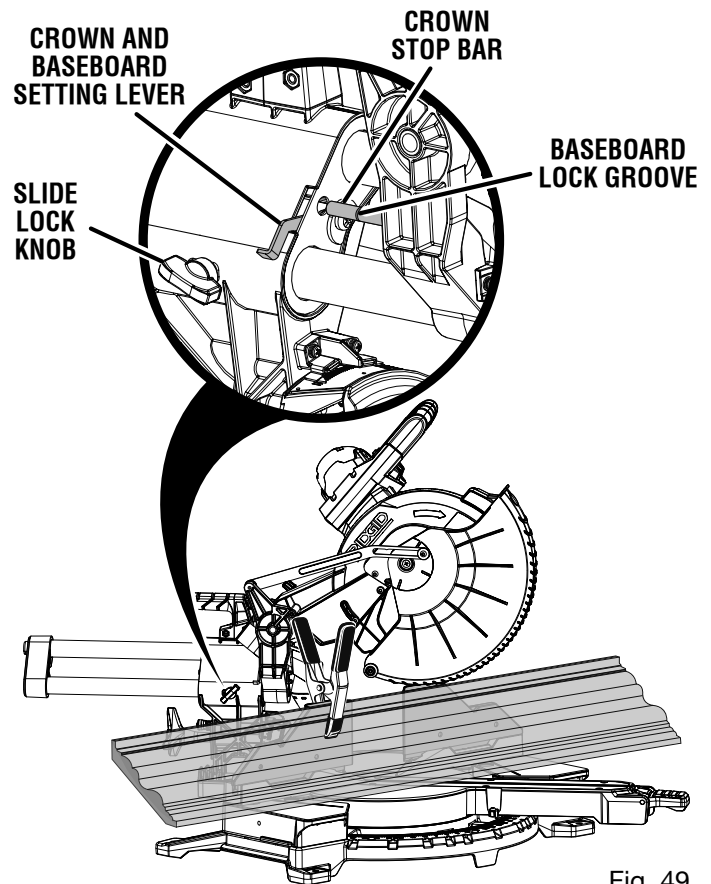


Fig. 49

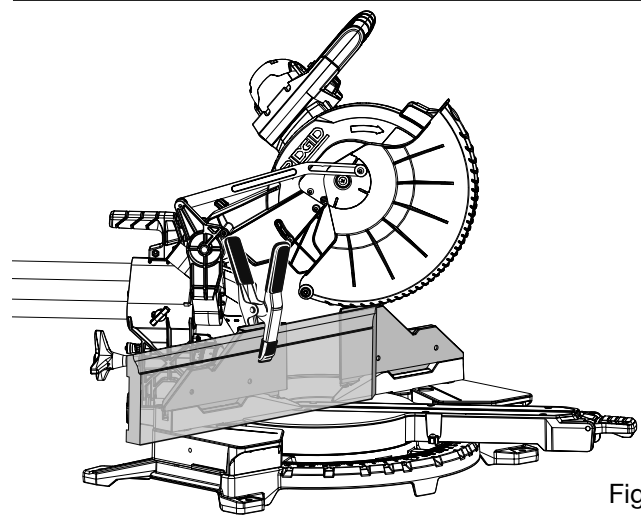


Fig. 50

**NOTE:** To avoid interference between the base molding and the motor, the molding should be placed no more than a half-inch over the throat plate when cutting or trimming base molding at 45° right miter angles.

- Before turning on the saw, perform a dry run of the cutting operation to make sure that no problems will occur when the cut is made.
- Grasp the saw handle firmly. Squeeze the switch trigger. Allow several seconds for the blade to reach maximum speed.
- Slowly lower the blade into and through the base molding.

# OPERATION

## CUTTING WARPED MATERIAL

See Figures 51 - 52.

When cutting warped material, always make sure it is positioned on the miter table with the convex side against the fence as shown in figure 51.

If the warped material is positioned the wrong way as shown in figure 52, it will pinch the blade near the completion of the cut.

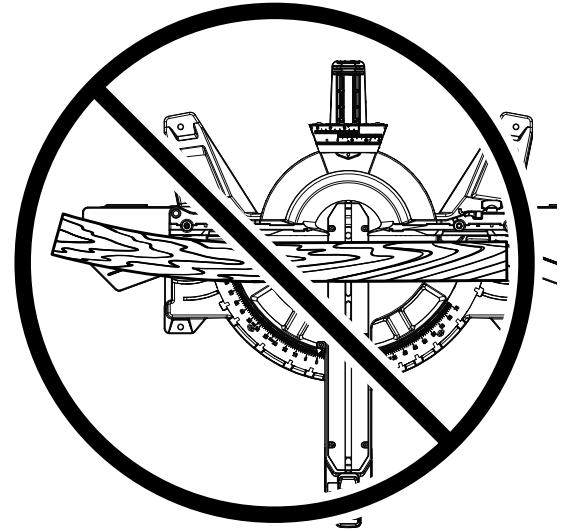
### **WARNING:**

To avoid kickback and serious personal injury, never position the concave edge of bowed or warped material against the fence.

## CLAMPING WIDE WORKPIECES

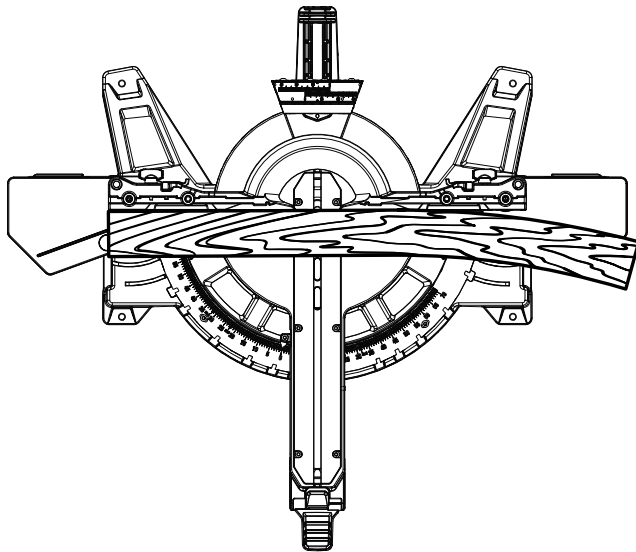
See Figure 53.

When cutting wide workpieces, such as a nominal nominal 2 in. x 12 in., boards should be clamped with a work clamp as shown in figure 53.



**WRONG**

Fig. 52



**RIGHT**

Fig. 51

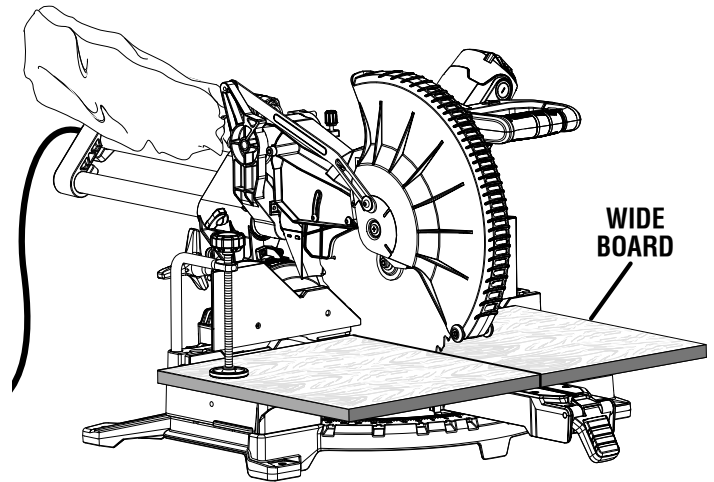


Fig. 53

# ADJUSTMENTS

## **⚠ WARNING:**

Before performing any adjustment, make sure the tool is unplugged from the power supply. Failure to heed this warning could result in serious personal injury.

The compound miter saw has been adjusted at the factory for making very accurate cuts. However, some of the components might have been jarred out of alignment during shipping. Also, over a period of time, readjustment will probably become necessary due to wear. After unpacking the saw, check the following adjustments before you begin using saw. Make any readjustments that are necessary and periodically check the parts alignment to make sure that the saw is cutting accurately.

## PIVOT ADJUSTMENTS

**NOTE:** These adjustments were made at the factory and normally do not require readjustment.

### TRAVEL PIVOT ADJUSTMENT

- The saw arm should rise completely to the up position by itself.
- If the saw arm does not raise by itself or if there is play in the pivot joints, have saw repaired at your nearest **AUTHORIZED SERVICE CENTER**.

### TO ADJUST THE BEVEL PIVOT

- The compound miter saw should bevel easily by loosening the bevel lock knob and tilting the saw.
- If movement is tight or if there is play in the pivot, have saw repaired at your nearest **AUTHORIZED SERVICE CENTER**.

## ADJUSTING THE BEVEL LOCK

See Figure 54 - 55.

When the saw arm is beveled to an “unindexed” bevel position other than 0°, 15°, 22.5°, 33.9°, and 45°, tightening the bevel lock knob should provide sufficient clamping force to keep the saw arm from moving. If the saw arm moves easily when the bevel lock knob is tightened, adjustments are needed.

- Unplug the saw.
- Remove the two screws that secure the bevel lock dust cover. Remove the cover.
- Loosen the bevel lock knob.
- Set the bevel angle at 0°.
- Using the 13 mm combination wrench, hold the nut stationary while using the hex key to adjust the bevel lock screw. Make adjustments of one-quarter turn or less.

**NOTE:** Turning the bevel lock screw clockwise increases the clamping force. Turning the bevel lock screw counterclockwise decreases the clamping force.

- Using the hex key, hold the bevel lock screw stationary, while using the combination wrench to adjust the nut holding the flat washer so that it is close but not touching the locking plate.
- After making the adjustment, check to see that the flat washer and locking plate are not in contact with each other.
- Replace the bevel lock dust cover and tighten screws securely.

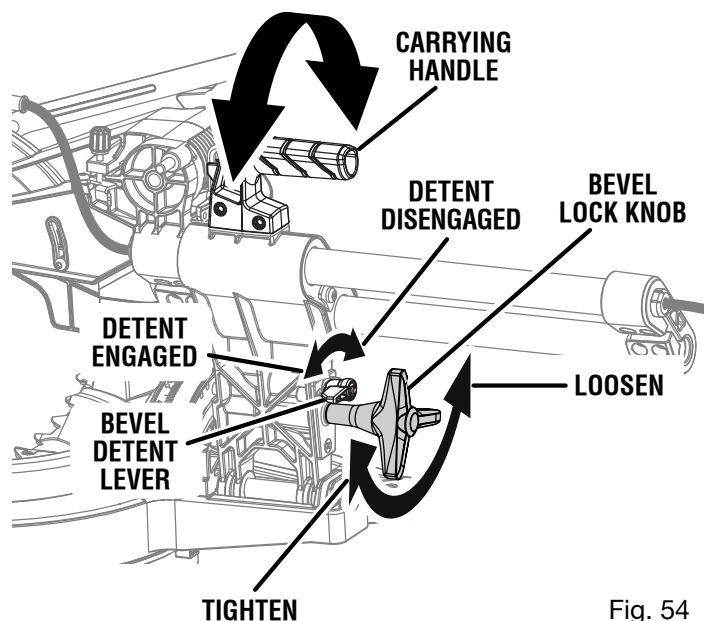


Fig. 54

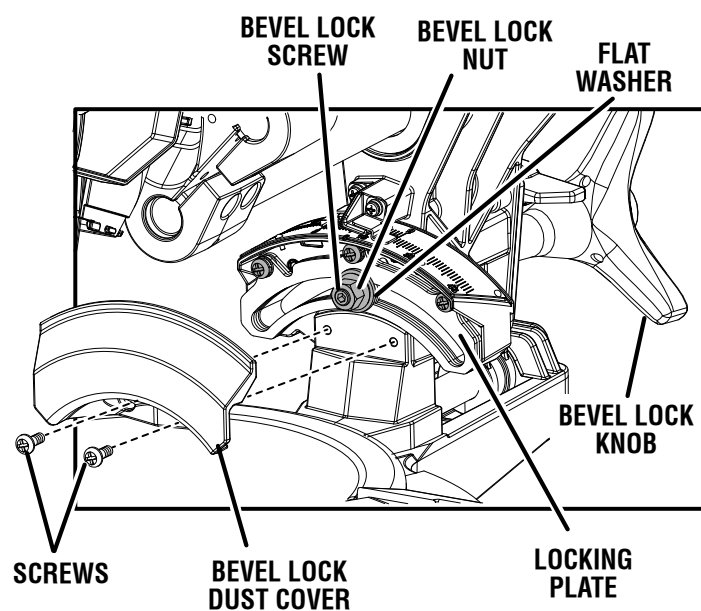


Fig. 55

# ADJUSTMENTS

## ADJUSTING THE MITER LOCK

See Figures 56 - 57.

- Unplug the saw.
- Locate the miter lock nut, miter lock screw and miter lock shoe on the rear underside of the saw.

### To adjust the clamping force of the miter lock:

- Lift the miter lock lever and press the miter detent bypass to unlock the miter table.
- Rotate the miter table to an “unindexed” miter position other than 0°, 15°, 22.5°, 31.6°, 45°, 60°, and 67.5°.
- Push the miter lock lever down and attempt to move the miter table. If the table moves easily when in the “locked” position, adjust the miter lock screw.
- Using a 4 mm hex key, adjust the miter lock screw. Make adjustments of one-quarter turn or less.

**NOTE:** Turning the miter lock screw clockwise will increase the clamping force. Turning the miter lock screw counterclockwise decreases the clamping force.

- After making the adjustment, test the clamping force.

**NOTE:** It should take considerable force to move the table in the locked position.

### To adjust miter table movement:

- Lift the miter lock lever, press the miter detent bypass, and move the miter table left to right. If the miter table does not move freely, adjust the miter lock nut.
- Using the 4 mm hex key, hold the miter lock screw stationary and use a 13 mm combination wrench to adjust the nut holding the miter lock shoe.

**NOTE:** Turning the miter lock nut clockwise will move the shoe closer to the miter saw base and make it harder to move the miter table. Turning the miter lock nut counterclockwise will move the shoe farther away from the base and make it easier to move the table.

- Adjust the miter lock nut until the shoe and miter saw base are close but not in contact with each other.
- After making the adjustment, test the movement of the miter table. The miter table should move freely left or right.
- Rotate the miter table to an “unindexed” miter position other than 0°, 15°, 22.5°, 31.6°, 45°, 60°, and 67.5° and push the miter lock lever down. Test the clamping force.

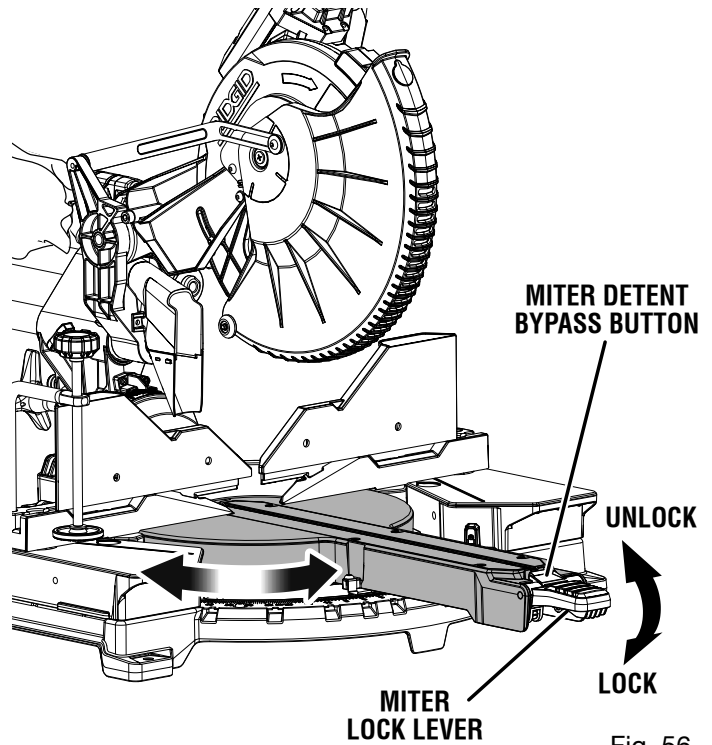


Fig. 56

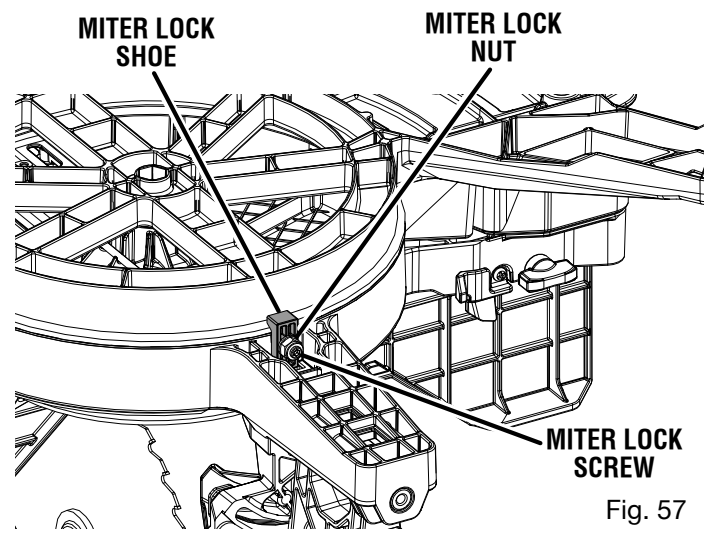


Fig. 57

# ADJUSTMENTS

## ADJUSTING THE MITER LOCK LEVER

See Figure 58.

Lift the miter lock lever to unlock the miter table.

- Unplug the saw.
- Lift the miter lock lever to unlock the miter table.
- If the miter lock lever is not parallel with the top of the miter table, adjustments are needed.
- Using an 8 mm combination wrench and a flat head screwdriver, hold the miter lock screw in place and loosen the miter lock nut.
- Turn the miter lock screw clockwise to lower the lever.
- Turn the miter lock screw counterclockwise to raise the lever.
- Continue to adjust the lock lever until it is parallel with the miter table.
- Hold the screw in place and tighten the lock nut securely.

**NOTE:** After adjusting the miter lock lever, it may be necessary to adjust the miter detent button.

## ADJUSTING THE MITER DETENT BUTTON

See Figure 58.

- Lift the miter lock lever to unlock the miter table.
- Attempt to rotate the miter table.
- If the miter table does not rotate, the detent is engaged. If it is not engaged, press the detent button until you hear a click, then release the button.
- Attempt to rotate the miter table. It should engage a miter detent and lock into place.
- Press the miter detent button until you hear a click.
- Attempt to rotate the miter table. It should rotate freely.
- Press the miter detent button until you hear a click.
- Attempt to rotate the miter table. It should engage a miter detent and lock into place.

- If the detent system does not cycle, adjustments are needed.
- Using a 10 mm combination wrench and a flat head screwdriver, hold the miter detent screw in place and loosen the miter detent nut.
- Turn the nut clockwise to lower the button.
- Turn the nut counterclockwise to raise the button.
- While making adjustments, press the detent button to make sure the click can still be heard.
- Adjust until the click can be heard in the lowest position.
- Hold the screw in place and tighten miter detent nut securely.

**NOTE:** After adjusting the miter detent button it may be necessary to adjust the miter lock lever.

### UNDERSIDE OF MITER LOCK LEVER

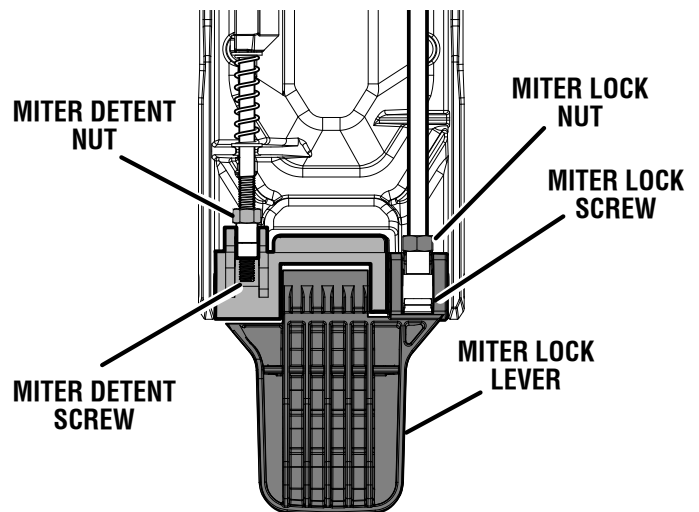


Fig. 58

# MAINTENANCE

## **WARNING:**

When servicing, use only identical replacement parts. Use of any other part may create a hazard or cause product damage.

## **WARNING:**

Always wear eye protection with side shields marked to comply with ANSI Z87.1 during product operation. If operation is dusty, also wear a dust mask.

## **WARNING:**

Before performing any adjustment, make sure the tool is unplugged from the power supply. Failure to heed this warning could result in serious personal injury.

## GENERAL MAINTENANCE

Avoid using solvents when cleaning plastic parts. Most plastics are susceptible to damage from various types of commercial solvents and may be damaged by their use. Use clean cloths to remove dirt, carbon dust, etc.

## **WARNING:**

Do not at any time let brake fluids, gasoline, petroleum-based products, penetrating oils, etc., come in contact with plastic parts. They contain chemicals that can damage, weaken, or destroy plastic.

## LUBRICATION

All of the bearings in this tool are lubricated with a sufficient amount of high grade lubricant for the life of the unit under normal operating conditions. Therefore, no further lubrication is required.

## **WARNING:**

To ensure safety and reliability, all repairs should be performed by a qualified service technician at an authorized service center to avoid risk of personal injury.

Some areas will require infrequent lubrication. You will need to apply:

- Automotive oil directly to the slide bars.
- Light oil or a pressurized light spray oil to the arm pivot shaft.
- Light oil or a pressurized light spray oil to the torsion spring.

**NOTE:** Do not apply oil to the bevel lock assembly or to the miter lock assembly.

## BRUSH REPLACEMENT

See Figure 59.

The saw has externally accessible brush assemblies that should be periodically checked for wear.

**Proceed as follows when replacement is required:**

- Unplug the saw.
- Remove brush cap with a screwdriver. Brush assembly is spring loaded and will pop out when you remove brush cap.
- Remove brush assembly.
- Check for wear. Replace both brushes when either has less than 1/4 in. length of carbon remaining. **Do not** replace one side without replacing the other.
- Reassemble using new brush assemblies. Make sure curvature of brush matches curvature of motor and that brush moves freely in brush tube.
- Make sure brush cap is oriented correctly (straight) and replace.
- Tighten brush cap securely. **Do not** overtighten.

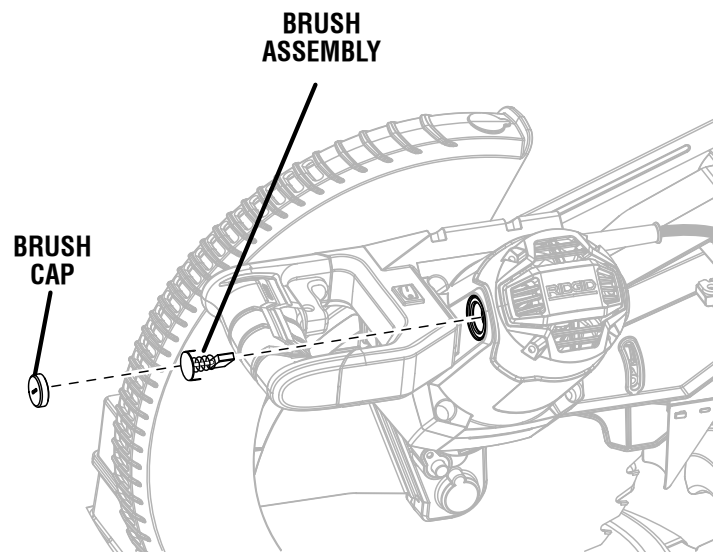


Fig. 59

# MAINTENANCE

---

## CLEANING THE LED LENS

See Figure 60.

Over time the LED light may become cloudy or dull. If this occurs, the LED lens may require cleaning.

### To clean the lens:

- Unplug the saw.
- Raise the saw arm.
- Remove the blade as described in the *Assembly* section.
- Rotate the lower blade guard to expose the LED lens.
- Using a small cloth or a cotton swab, gently clean away any dirt or debris from the LED lens.

**NOTE:** Use caution when cleaning to avoid damaging the lens.

- Reinstall the blade.

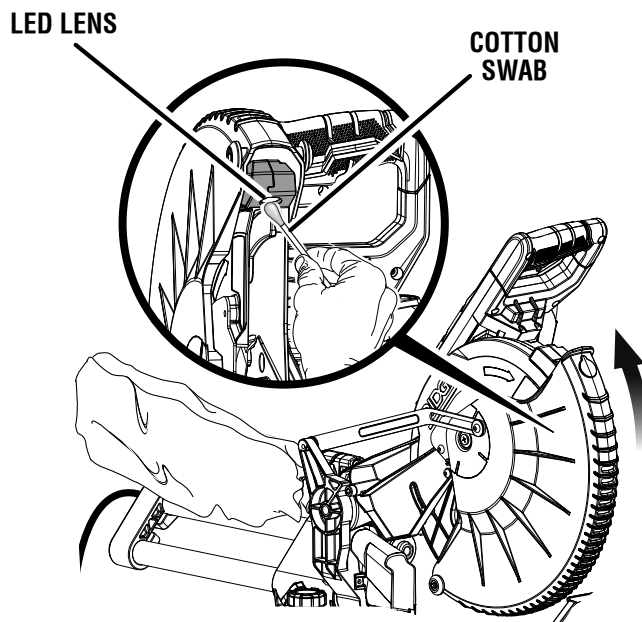


Fig. 60

# ACCESSORIES

---

Look for these accessories where you purchased this product or call 1-866-539-1710:

■ Miter Saw Utility Vehicle .....	AC9946
■ Dust Bag Assembly .....	089041028710
■ 12 in. Blade.....	089041028912
■ Throat Plate Assembly.....	089041028712
■ Work Clamp Assembly .....	089041028711
■ Blade Wrench .....	089041028913
■ Crown Molding Stop Kit .....	089041028100

## WARNING:

Current attachments and accessories available for use with this tool are listed above. Do not use any attachments or accessories not recommended by the manufacturer of this tool. The use of attachments or accessories not recommended can result in serious personal injury.

---

# WARRANTY

---

## RIDGID® HAND HELD AND STATIONARY POWER TOOL 3 YEAR LIMITED SERVICE WARRANTY

Proof of purchase must be presented when requesting warranty service.

Limited to RIDGID® hand held and stationary power tools purchased 2/1/04 and after. This product is manufactured by One World Technologies, Inc. The trademark is licensed from RIDGID®, Inc. All warranty communications should be directed to One World Technologies, Inc., attn: RIDGID® Hand Held and Stationary Power Tool Technical Service at (toll free) 1-866-539-1710.

### 90-DAY SATISFACTION GUARANTEE POLICY

During the first 90 days after the date of purchase, if you are dissatisfied with the performance of this RIDGID® Hand Held and Stationary Power Tool for any reason you may return the tool to the dealer from which it was purchased for a full refund or exchange. To receive a replacement tool you must present proof of purchase and return all original equipment packaged with the original product. The replacement tool will be covered by the limited warranty for the balance of the 3 YEAR service warranty period.

### WHAT IS COVERED UNDER THE 3 YEAR LIMITED SERVICE WARRANTY

This warranty on RIDGID® Hand Held and Stationary Power Tools covers all defects in workmanship or materials and normal wear items such as brushes, chucks, motors, switches, cords, gears and even cordless batteries in this RIDGID® tool for three years following the purchase date of the tool. Warranties for other RIDGID® products may vary.

### HOW TO OBTAIN SERVICE

To obtain service for this RIDGID® tool you must return it; freight prepaid, or take it in to an authorized service center for RIDGID® branded hand held and stationary power tools. You may obtain the location of the authorized service center nearest you by calling (toll free) 1-866-539-1710 or by logging on to the RIDGID® website at [www.RIDGID.com](http://www.RIDGID.com). When requesting warranty service, you must present the original dated sales receipt. The authorized service center will repair any faulty workmanship, and either repair or replace any part covered under the warranty, at our option, at no charge to you.

### WHAT IS NOT COVERED

This warranty applies only to the original purchaser at retail and may not be transferred. This warranty only covers defects arising under normal usage and does not cover any malfunction, failure or defect resulting from misuse, abuse, neglect, alteration, modification or repair by other than an authorized service center for RIDGID® branded hand held and stationary power tools. Consumable accessories provided with the tool such as, but not limited to, blades, bits and sand paper are not covered.

**RIDGID®, INC. AND ONE WORLD TECHNOLOGIES, INC. MAKE NO WARRANTIES, REPRESENTATIONS OR PROMISES AS TO THE QUALITY OR PERFORMANCE OF ITS POWER TOOLS OTHER THAN THOSE SPECIFICALLY STATED IN THIS WARRANTY.**

### ADDITIONAL LIMITATIONS

To the extent permitted by applicable law, all implied warranties, including warranties of MERCHANTABILITY or FITNESS FOR A PARTICULAR PURPOSE, are disclaimed. Any implied warranties, including warranties of merchantability or fitness for a particular purpose, that cannot be disclaimed under state law are limited to three years from the date of purchase. One World Technologies, Inc. and RIDGID®, Inc. are not responsible for direct, indirect, incidental or consequential damages. Some states do not allow limitations on how long an implied warranty lasts and/or do not allow the exclusion or limitation of incidental or consequential damages, so the above limitations may not apply to you. This warranty gives you specific legal rights, and you may also have other rights which vary from state to state.

---

**One World Technologies, Inc.**

P.O. Box 1427

Anderson, SC 29622

---





# RÈGLES DE SÉCURITÉ GÉNÉRALES

## AVERTISSEMENT :

Lire les avertissements de sécurité, les instructions et les précisions et consulter les illustrations fournis avec cet outil électrique. Le fait de ne pas se conformer à l'ensemble des consignes présentées ci-dessous risque d'entraîner des décharges électriques, un incendie et/ou des blessures graves.

Conserver les avertissements et les instructions à des fins de référence ultérieure. Le terme « outil motorisé », utilisé dans tous les avertissements ci-dessous désigne tout outil fonctionnant sur secteur (câblé) ou sur piles (sans fil).

## SÉCURITÉ DU LIEU DE TRAVAIL

- **Garder le lieu de travail propre et bien éclairé.** Les endroits encombrés ou sombres sont propices aux accidents.
- **Ne pas utiliser d'outils électriques dans des atmosphères explosives, par exemple en présence de liquides, gaz ou poussières inflammables.** Les outils électriques produisent des étincelles risquant d'enflammer les poussières ou vapeurs.
- **Garder les enfants et badauds à l'écart pendant l'utilisation d'un outil électrique.** Les distractions peuvent causer une perte de contrôle.

## SÉCURITÉ ÉLECTRIQUE

- **Les fiches des outils électriques doivent correspondre à la prise secteur utilisée. Ne jamais modifier la fiche, de quelque façon que ce soit. Ne jamais utiliser d'adaptateurs de fiche avec des outils mis à la terre.** Les fiches et prises non modifiées réduisent le risque de choc électrique.
- **Éviter tout contact du corps avec des surfaces mises à la terre, telles que tuyaux, radiateurs, cuisinières et réfrigérateurs.** Le risque de choc électrique est accru lorsque le corps est mis à la terre.
- **Ne pas exposer les outils électriques à l'eau ou l'humidité.** La pénétration d'eau dans ces outils accroît le risque de choc électrique.
- **Ne pas maltraiter le cordon d'alimentation. Ne jamais utiliser le cordon d'alimentation pour transporter l'outil et ne jamais débrancher ce dernier en tirant sur le cordon. Garder le cordon à l'écart de la chaleur, de l'huile, des objets tranchants et des pièces en mouvement.** Un cordon endommagé ou emmêlé accroît le risque de choc électrique.

- **Pour les travaux à l'extérieur, utiliser un cordon spécialement conçu à cet effet.** Utiliser un cordon conçu pour l'usage extérieur pour réduire les risques de choc électrique.
- **S'il est nécessaire d'utiliser l'outil électrique dans un endroit humide, employer un dispositif interrupteur de défaut à la terre (GFCI).** L'utilisation d'un GFCI réduit le risque de décharge électrique.

## SÉCURITÉ PERSONNELLE

- **Rester attentif, prêter attention au travail et faire preuve de bon sens lors de l'utilisation de tout outil électrique. Ne pas utiliser cet outil en état de fatigue ou sous l'influence de l'alcool, de drogues ou de médicaments.** Un moment d'inattention pendant l'utilisation d'un outil électrique peut entraîner des blessures graves.
- **Utiliser l'équipement de sécurité. Toujours porter une protection oculaire.** L'équipement de sécurité, tel qu'un masque filtrant, de chaussures de sécurité, d'un casque ou d'une protection auditive, utilisé dans des conditions appropriées réduira le risque de blessures.
- **Éviter les démarrages accidentels. S'assurer que le commutateur est en position d'arrêt avant de brancher l'outil et/ou bloc-piles.** Porter un outil avec le doigt sur son commutateur ou brancher un outil dont le commutateur est en position de marche peut causer un accident.
- **Retirer les clés de réglage avant de mettre l'outil en marche.** Une clé laissée sur une pièce rotative de l'outil peut causer des blessures.
- **Ne pas travailler hors de portée. Toujours se tenir bien campé et en équilibre.** Ceci permettra de mieux contrôler l'outil en cas de situation imprévue.
- **Porter une tenue appropriée. Ne porter ni vêtements amples, ni bijoux. Garder les cheveux, les vêtements et les gants à l'écart des pièces en mouvement.** Les vêtements amples, bijoux et cheveux longs peuvent se prendre dans les pièces en mouvement.
- **Si les outils sont équipés de dispositifs de dépoussiérage, s'assurer qu'ils sont connectés et correctement utilisés.** L'usage de ces dispositifs de dépoussiérage peut réduire les dangers présentés par la poussière.
- **Malgré votre expérience acquise par l'utilisation fréquente des outils, soyez toujours vigilant et respectez les principes de sécurité relatifs aux outils.** Il s'agit d'une fraction de seconde pour qu'un geste irréfléchi puisse causer de graves blessures.

# RÈGLES DE SÉCURITÉ GÉNÉRALES

---

## UTILISATION ET ENTRETIEN DES OUTILS ÉLECTRIQUES

- **Ne pas forcer l'outil. Utiliser l'outil approprié pour l'application.** Un outil approprié exécutera le travail mieux et de façon moins dangereuse s'il est utilisé dans les limites prévues.
- **Ne pas utiliser l'outil si le commutateur ne permet pas de le mettre en marche ou de l'arrêter.** Tout outil qui ne peut pas être contrôlé par son commutateur est dangereux et doit être réparé.
- **Avant de procéder à un réglage, à un changement d'accessoire ou au rangement de l'outil, débranchez la prise de la source d'alimentation ou, si le bloc-piles est amovible, retirez-le de l'outil.** Ces mesures de sécurité préventives réduisent les risques de démarrage accidentel de l'outil.
- **Ranger les outils motorisés hors de la portée des enfants et ne laisser personne n'étant pas familiarisé avec l'outil ou ces instructions utiliser l'outil.** Dans les mains de personnes n'ayant pas reçu des instructions adéquates, les outils sont dangereux.
- **Entretien des outils motorisés et accessoires. Vérifier qu'aucune pièce mobile n'est mal alignée ou bloquée, qu'aucune pièce n'est brisée et s'assurer**

qu'aucun autre problème ne risque d'affecter le bon fonctionnement de l'outil. En cas de dommages faire réparer l'outil avant de l'utiliser de nouveau. Beaucoup d'accidents sont causés par des outils mal entretenus.

- **Garder les outils bien affûtés et propres.** Des outils correctement entretenus et dont les tranchants sont bien affûtés risquent moins de se bloquer et sont plus faciles à contrôler.
- **Utiliser l'outil, les accessoires et embouts, etc. conformément à ces instructions pour les applications pour lesquelles ils sont conçus, en tenant compte des conditions et du type de travail à exécuter.** L'usage d'un outil motorisé pour des applications pour lesquelles il n'est pas conçu peut être dangereux.
- **Gardez les poignées et les surfaces de prise sèches, propres et exemptes d'huile et de graisse.** Des poignées et des surfaces de prise glissantes empêchent la manipulation et le contrôle sécuritaires de l'outil dans des circonstances imprévues.

## DÉPANNAGE

- **Les réparations doivent être confiées à un technicien qualifié, utilisant exclusivement des pièces identiques à celles d'origine.** Ceci assurera le maintien de la sécurité de l'outil.

# RÈGLES DE SÉCURITÉ DU SCIE À ONGLETS

---

- **Les scies à onglets sont conçues pour couper le bois ou les produits comme le bois, elles ne peuvent pas être utilisées avec des meules à découper abrasives pour couper des matériaux ferreux tels que des barres, des tiges, des goujons, etc.** Les poussières abrasives entraînent le blocage des pièces mobiles comme le dispositif de protection inférieur. Les étincelles provenant d'une coupe abrasive brûleront le dispositif de protection inférieur, l'intérieur du trait de scie et d'autres pièces en plastique.
- **Utiliser des pinces pour maintenir en place la pièce à travailler chaque fois que possible. Si vous supportez à la main la pièce à travailler, vous devez toujours garder vos mains à au moins 100 mm de chaque côté de la lame de la scie. Ne pas utiliser cette scie pour couper des morceaux qui sont trop petits pour être correctement fixés ou tenus à la main.** Si votre main est placée trop près de la lame de scie, il y a un risque accru de blessures causées par le contact avec la lame.
- **La pièce à travailler doit être immobile et fixée ou tenue à la fois contre le guide et la table. Ne pas avancer la pièce à travailler dans la lame et en aucun cas vous ne devez couper «à main levée».** Les pièces à travailler qui ne sont pas retenues ou qui sont en mouvement peuvent être projetées à grande vitesse, provoquant des blessures.
- **Pousser la scie à travers la pièce à travailler. Ne pas tirer la scie à travers la pièce à travailler. Pour effectuer une coupe, relever la tête de scie et tirez-la au-dessus**

de la pièce à travailler sans couper, démarrer le moteur, appuyer sur la tête de scie et la pousser à travers la pièce à travailler. Couper en tirant la scie est susceptible de faire monter la lame de scie au-dessus de la pièce à travailler et de projeter violemment l'assemblage de la lame vers l'opérateur.

- **Ne jamais mettre votre main au travers de la ligne de coupe prévue, que ce soit à l'avant ou à l'arrière de la lame de scie.** Tenir la pièce à travailler à «main croisée» c.-à-d. en maintenant la pièce à travailler à droite de la lame de scie avec votre main gauche ou vice versa est très dangereux.
- **Ne pas essayer d'atteindre l'arrière du guide avec l'une ou l'autre de vos mains à moins de 100 mm de chaque côté de la lame de scie, que ce soit pour enlever les déchets de bois, ou pour toute autre raison que ce soit pendant que la lame est en rotation.** La proximité de votre main avec la lame de scie en rotation peut ne pas être évidente à déterminer et vous pourriez être gravement blessé.
- **Inspecter votre pièce à travailler avant de la couper. Si la pièce à travailler est arquée ou déformée, la fixer au moyen d'une pince en plaçant l'extérieur arqué face au guide. S'assurer toujours qu'il n'y a aucun écart entre la pièce à travailler, le guide et la table le long de la ligne de coupe.** Les pièces à travailler arquées ou déformées peuvent se tordre ou bouger et peuvent causer un pincement

# RÈGLES DE SÉCURITÉ DU SCIE À ONGLETS

---

de la lame de scie en rotation pendant la coupe. Il ne devrait pas y avoir de clous ou d'objets étrangers dans la pièce à travailler.

- **Ne pas utiliser la scie jusqu'à ce que la table soit libre de tous les outils, déchets de bois, etc., à l'exception de la pièce à travailler.** Les petits débris, les morceaux de bois détachés ou les autres objets qui sont en contact avec la lame en rotation peuvent être projetés à haute vitesse.
- **Couper une seule pièce à travailler à la fois.** Les pièces à travailler empilées ne peuvent pas être suffisamment fixées au moyen d'une pince ou serrées et peuvent causer un pincement avec la lame ou bouger durant la coupe.
- **S'assurer que la scie à onglets est montée ou placée à niveau sur une surface de travail ferme avant de l'utiliser.** Une surface de travail ferme et à niveau réduit le risque que la scie à onglets devienne instable.
- **Planifier votre travail. Chaque fois que vous modifiez le réglage d'angle de biseau ou d'onglet, s'assurer que le guide réglable est correctement ajusté pour soutenir la pièce à travailler et qu'il n'interférera pas avec la lame ou le système de protection.** Sans mettre l'outil en « MARCHÉ » et sans pièce à travailler sur la table, déplacer la lame de scie à travers une coupe complètement simulée pour garantir qu'il n'y aura pas d'interférence ni de danger de couper le guide.
- **Fournir un support adéquat comme des rallonges de table, des chevalets de sciage, etc. pour une pièce à travailler qui est plus large ou plus longue que le dessus de la table.** Les pièces à travailler qui sont plus longues ou plus larges que la table de scie à onglets peuvent basculer si elles ne sont pas solidement supportées. Si la pièce coupée ou la pièce à travailler bascule, elle peut soulever le dispositif de protection inférieur ou être projetée par la lame en rotation.
- **Ne pas vous servir d'une autre personne comme remplacement à une rallonge de table ou comme support supplémentaire.** Une pièce à travailler placée sur un support instable peut entraîner le pincement de la lame ou le déplacement de la pièce à travailler pendant la coupe, et vous tirer ainsi que votre assistant dans la lame en rotation.
- **La pièce coupée ne doit pas être coincée ou appuyée d'une quelconque façon contre la lame de scie en rotation.** Si elle est confinée, c.-à-d. à l'aide de butées réglables, la pièce coupée pourrait se coincer contre la lame et être projetée violemment.
- **Utiliser toujours une pince ou un dispositif de fixation conçu pour soutenir correctement des matériaux ronds tels que des tiges ou des tubes.** Les tiges ont tendance à rouler lorsqu'elles sont coupées, causant une morsure et tirant le travail avec votre main dans la lame.
- **Laisser la lame atteindre sa pleine vitesse avant de la faire entrer en contact avec la pièce à travailler.** Cela permettra de réduire le risque que la pièce à travailler soit projetée.
- **Si la pièce à travailler ou la lame se bloque, arrêter la scie à onglets. Attendre que toutes les pièces mobiles soient arrêtées et débrancher la fiche de la source d'alimentation et/ou retirez le bloc-piles. Libérer ensuite les matériaux coincés.** Continuer à scier avec une pièce à travailler coincée pourrait entraîner une perte de contrôle ou endommager la scie à onglets.
- **Après avoir terminé la coupe, relâcher le bouton, maintenir la tête de scie vers le bas et attendez que la lame s'arrête avant de retirer la pièce coupée.** Approcher votre main près d'une lame qui n'est pas complètement arrêtée est dangereux.
- **Maintenir fermement la poignée lorsque vous faites une coupe incomplète ou lorsque vous relâchez le bouton avant que la position de la tête de scie ne soit pas complètement vers le bas.** L'action de freinage de la scie peut tirer soudainement vers le bas, entraînant un risque de blessure.
- **Conserver ces instructions.** Les consulter fréquemment et les utiliser pour instruire les autres utilisateurs. Si cet outil est prêté, il doit être accompagné de ces instructions.

## RÈGLES DE SÉCURITÉ SUPPLÉMENTAIRES

---




- **Utiliser un cordon prolongateur adéquat.** S'assurer que le cordon prolongateur est en bon état. Utiliser exclusivement un cordon d'une capacité suffisante pour supporter le courant de fonctionnement de l'outil. Un cordon de capacité insuffisante causerait une baisse de la tension de ligne, entraînant une perte de puissance et une surchauffe. Un calibre de fil (A.W.G.) d'au minimum 14 est recommandé pour un cordon prolongateur de 7,6 mètres (25 pieds) ou moins. En cas de doute, utiliser un cordon du calibre immédiatement supérieur. Moins le numéro de calibre est élevé, plus la capacité du fil est grande.
- **Inspecter régulièrement les cordons de l'outil.** Faire remplacer tout commutateur défectueux par un technicien qualifié ou un centre de réparations agréé. Tout cordon endommagé doit être réparé ou remplacé immédiatement. Toujours rester conscient de l'emplacement du cordon et veiller à le tenir à l'écart de la lame en rotation.
- **Inspecter régulièrement les cordons prolongateurs et les remplacer s'ils sont endommagés.**
- **Fiches polarisées.** Pour réduire les risques de choc électrique, cet outil est équipé d'une fiche polarisée (une broche est plus large que l'autre). Cette fiche ne peut être branchée sur une prise polarisée que dans un sens. Si la fiche ne peut pas être insérée dans la prise, l'inverser. Si elle ne peut toujours pas être insérée, faire installer une prise adéquate par un électricien qualifié. Ne pas modifier la fiche, de quelque façon que ce soit.

# RÈGLES DE SÉCURITÉ SUPPLÉMENTAIRES








- **Veiller à bien connaître l'outil.** Lire attentivement le manuel d'utilisation. Apprendre les applications et les limites de l'outil, ainsi que les risques spécifiques relatifs à son utilisation.
  - **Toujours porter une protection oculaire avec écrans latéraux certifiée conforme à la norme ansi Z87.1 lors de l'utilisation de produit.** Si cette précaution n'est pas prise, des objets peuvent être projetés dans les yeux et causer des lésions graves.
  - **Ne jamais monter sur l'outil.** Un basculement pourrait entraîner des blessures graves ou si l'on touche involontairement la partie tranchante.
  - **Maintenir tous les dispositifs de protection en place** et en bon état de fonctionnement.
  - **Engager les pièces dans le sens correct.** La pièce ne doit être engagée que contre le sens de rotation de la lame, de l'accessoire ou de la toupie de ponçage.
  - **Ne jamais laisser l'outil en fonctionnement sans surveillance. Couper l'alimentation électrique.** Ne pas s'éloigner de l'outil avant qu'il soit parvenu à un arrêt complet.
  - **N'utiliser que les lames appropriées. Ne pas** utiliser de lames dont le trou n'est pas de la taille correcte. Ne jamais utiliser de rondelles ou boulons de lame défectueux ou de type incorrect. La taille maximum de lame pouvant être utilisée sur cet outil est de 305 mm (12 po.).
  - **S'assurer que tous les dispositifs de protection fonctionnent correctement avant d'effectuer une coupe.**
  - **Ne jamais toucher la lame** ou les pièces en mouvement pendant le fonctionnement.
  - **Vérifier deux fois tous les réglages.** S'assurer que la lame est bien serrée et ne touche ni la scie, ni la pièce à couper avant de brancher la scie sur le secteur.
  - **Assujettir ou boulonner solidement** la machine sur un établi ou autre plan de travail, approximativement à la hauteur des hanches.
  - **S'assurer que la table à onglets et le bras de la scie ( fonction de biseau) sont verrouillés en place avant de mettre la scie en marche.** Bloquer la table à onglets en serrant fermement la poignée de verrouillage d'onglet. Verrouiller le bras de la scie (fonction de biseau) en serrant fermement le bouton de verrouillage de biseau.
  - **Ne jamais se déplacer l'ajustement de pièce ou marque à n'importe quel angle de coupe pendant que la scie court et la lame tourne.** N'importe quelle erreur peut avoir pour résultat le contact avec la lame causant des blessures graves.
  - **Éviter les opérations et positions inconfortables** posant un risque de glissement soudain de la main vers la lame.
- TOUJOURS** se tenir bien en équilibre. **NE JAMAIS** utiliser la scie à onglets sur le sol ou en se tenant accroupi.
- **Ne jamais** se tenir ou laisser une partie du corps se trouver dans la trajectoire de la lame.
  - **Ne jamais faire passer le commutateur de la position marche à la position arrêt rapidement.** Ceci pourrait causer le desserrage de la lame, créant une situation dangereuse. Si cela se produit, s'éloigner de la scie et attendre l'arrêt complet de la lame. Débrancher la scie de la prise secteur et resserrer le boulon de lame.
  - **Si une pièce quelconque de la scie manque**, est brisée, déformée ou présente quelque défaut que ce soit, ou si un composant électrique quel qu'il soit ne fonctionne pas correctement, éteindre la scie, la débrancher de la prise secteur et faire réparer ou remplacer la pièce manquante, endommagée ou défectueuse avant de remettre la scie en service.
  - **Toujours éteindre la scie** avant de la débrancher pour éviter un démarrage accidentel lors du branchement pour l'utilisation suivante. **NE JAMAIS** laisser la scie branchée sans surveillance.
  - Les avertissements ci-dessous doivent être apposés sur **cet outil** :
    - Pour réduire les risques de blessures, l'utilisateur doit lire le manuel d'utilisation.
    - Porter une protection oculaire.
    - Garder les mains et le corps hors du passage de la lame. Le contact avec la lame peut causer des blessures graves.
    - Vérifier le fonctionnement de la tête de coupe.
    - Ne jamais travailler à main levée.
    - Ne jamais allonger le bras à proximité de la lame.
    - Couper l'alimentation de l'outil et attendez que la lame de scie soit arrêtée avant de déplacer la pièce à travailler ou de modifier les réglages.
    - Couper l'alimentation avant de changer la lame ou d'effectuer un entretien.
  - **Toujours** transporter l'outil par la poignée prévue à cet effet.
  - **Cette scie peut basculer si sa tête** est relâchée brusquement et assujettie à un plan de travail. Pour éviter des blessures graves, Toujours assujettir la scie à un plan de travail stable.
  - **Toujours s'assurer que l'a vu que la lame a le dégagement de toutes obstructions avant de tourner l'a vu sur.**

# SYMBOLES

Les termes de mise en garde suivants et leur signification ont pour but d'expliquer le degré de risques associé à l'utilisation de ce produit.

SYMBOLE	SIGNAL	SIGNIFICATION
	<b>DANGER :</b>	Indique une situation dangereuse qui, si elle n'est pas évitée, aura pour conséquences des blessures graves ou mortelles.
	<b>AVERTISSEMENT :</b>	Indique une situation dangereuse qui, si elle n'est pas évitée, pourrait entraîner des blessures graves ou mortelles.
	<b>ATTENTION :</b>	Indique une situation dangereuse qui, si elle n'est pas évitée, pourrait entraîner des blessures légères ou de gravité modérée.
	<b>AVIS :</b>	(Sans symbole d'alerte de sécurité) Indique les informations jugées importantes sans toutefois représenter un risque de blessure (ex. : messages concernant les dommages matériels).

Certains des symboles ci-dessous peuvent être utilisés sur l'outil. Veiller à les étudier et à apprendre leur signification. Une interprétation correcte de ces symboles permettra d'utiliser l'outil plus efficacement et de réduire les risques.

SYMBOLE	NOM	DÉSIGNATION / EXPLICATION
	Symbole d'alerte de sécurité	Indique un risque de blessure potentiel.
	Lire le manuel d'utilisation	Pour réduire les risques de blessures, l'utilisateur doit lire et veiller à bien comprendre le manuel d'utilisation avant d'utiliser ce produit.
	Protection oculaire	Toujours porter une protection oculaire avec écrans latéraux certifiée conforme à la norme ANSI Z87.1.
	Symbole Mains à l'écart	Le non-respect de cette mise en garde peut entraîner des blessures graves.
	Avertissement concernant l'humidité	Ne pas exposer à la pluie ou l'humidité.
	Intensité d'éclairage extrême	Ce produit utilise des DEL très brillantes. Pour éviter l'aveuglement, ne pas fixer le faisceau (même à bonne distance).
V	Volts	Tension
A	Ampères	Intensité
Hz	Hertz	Fréquence (cycles par seconde)
min	Minutes	Temps
~	Courant alternatif	Type de courant
$n_0$	Vitesse à vide	Vitesse de rotation à vide
	Construction de classe II	Construction à double isolation
.../min	Par minute	Tours, coups, vitesse périphérique, orbites, etc., par minute

# CARACTÉRISTIQUES ÉLECTRIQUES

## DOUBLE ISOLATION

La double isolation est un dispositif de sécurité utilisé sur les outils à moteur électriques, éliminant le besoin de cordon d'alimentation habituel à trois fils avec terre. Toutes les pièces métalliques exposées sont isolées des composants internes du moteur par l'isolation protectrice. Les outils à double isolation ne nécessitent pas de mise à la terre.

### AVERTISSEMENT :

Le système à double isolation est conçu pour protéger l'utilisateur contre les chocs électriques causés par une rupture du câblage interne de l'outil. Prendre toutes les précautions de sécurité normales pour éviter les chocs électriques.

**NOTE :** La réparation d'un outil à double isolation exigeant des précautions extrêmes ainsi que la connaissance du système, elle ne doit être confiée qu'à un réparateur qualifié. En ce qui concerne les réparations, nous recommandons de confier l'outil au centre de réparation le plus proche. Utiliser exclusivement des pièces d'origine pour les réparations.

## CONNEXIONS ÉLECTRIQUES

Cet outil est équipé d'un moteur électrique de précision. Il doit être branché uniquement sur **une alimentation 120 V, c.a. (courant résidentiel standard), 60 Hz**. Ne pas utiliser cet outil sur une source de courant continu (c.c.). Une chute de tension importante causerait une perte de puissance et une surchauffe du moteur. Si l'outil ne fonctionne pas une fois branché, vérifier l'alimentation électrique.

## CORDONS PROLONGATEURS

Lors de l'utilisation d'un outil électrique à grande distance d'une prise secteur, veiller à utiliser un cordon prolongateur d'une capacité suffisante pour supporter l'appel de courant de l'outil. Un cordon de capacité insuffisante causerait une baisse de la tension de ligne, entraînant une perte de puissance et une surchauffe. Se reporter au tableau ci-dessous pour déterminer le calibre minimum de fil requis

pour un cordon donné. Utiliser exclusivement des cordons à gaine cylindrique homologués par Underwriter's Laboratories (UL).

Pour le travail à l'extérieur, utiliser un cordon prolongateur spécialement conçu à cet effet. Ce type de cordon porte l'inscription « WA » ou « W » sur sa gaine.

Avant d'utiliser un cordon prolongateur, vérifier que ses fils ne sont ni détachés ni exposés et que son isolation n'est ni coupée, ni usée.

\*\*Intensité nominale (sur la plaquette signalétique de l'outil)

Longueur du cordon	Calibre de fil (A.W.G.)					
	0-2.0	2.1-3.4	3.5-5.0	5.1-7.0	7.1-12.0	12.1-16.0
25'	16	16	16	16	14	14
50'	16	16	16	14	14	12
100'	16	16	14	12	10	—

\*\*Utilisé sur circuit de calibre 12 – 20 A

**NOTE :** A.W.G. = American Wire Gauge

### AVERTISSEMENT :

Maintenir le cordon prolongateur à l'écart de la zone de travail. Lors du travail avec un cordon électrique, placer le cordon de manière à ce qu'il ne risque pas de se prendre dans les pièces de bois, outils et autres obstacles. Ne pas prendre cette précaution peut entraîner des blessures graves.

### AVERTISSEMENT :

Vérifier l'état des cordons prolongateurs avant chaque utilisation. Remplacer immédiatement tout cordon endommagé. Ne jamais utiliser un outil dont le cordon d'alimentation est endommagé, car tout contact avec la partie endommagée pourrait causer un choc électrique et des blessures graves.

# GLOSSAIRE

---

## **Griffes antirebond (scies à table et radiales)**

Dispositifs qui, s'ils sont correctement installés et entretenus, sont conçus pour empêcher que la pièce coupée soit propulsée en direction de l'opérateur durant la refente.

## **Axe**

Pièce sur laquelle une lame ou un outil de coupe est monté.

## **Coupe en biseau**

Coupe effectuée avec la lame sur toute position autre que perpendiculaire (90°) à la table.

## **Chanfrein**

Coupe en biseau effectuée sur l'extrémité (ou une partie de l'extrémité) d'une pièce, de manière à ce qu'il présente un angle autre que 90°.

## **Coupe composée**

Coupe transversale présentant un angle d'onglet et un angle de biseau.

## **Coupe transversale**

Coupe ou profilage effectué en travers du grain de la pièce.

## **Tête de coupe (raboteuses et raboteuses/dégauchisseuses)**

Pièce rotative munie de lames réglables. La tête de coupe enlève du matériau de la pièce.

## **Rainage (scies à table et scies à onglets composés)**

Entaille qui produit une rainure ou gorge de forme rectangulaire dans la pièce de bois.

## **Cale-guide (scies à table)**

Dispositif utilisé pour faciliter le contrôle de la pièce à couper en la guidant contre la table ou le guide lors des coupes longitudinales.

## **pi/min ou coups/min**

Nombre de pieds par minute (ou coups par minute). Terme utilisé en référence au mouvement de la lame.

## **Main levée**

Exécution d'une coupe sans que la pièce soit soutenue par un guide longitudinal, un guide d'onglet ou autre dispositif.

## **Gomme**

Résidu collant formé par la sève du bois.

## **Talon**

Alignement de la lame par rapport au guide.

## **Trait de scie**

Quantité de matériau éliminé par la lame lors de coupes traversantes ou l'entaille produite lors de coupes non traversantes ou partielles.

## **Rebond**

Réaction dangereuse se produisant lorsque la lame est pincée ou bloquée et projetant la pièce en train d'être coupée dans le sens de la rotation de la lame.

## **Coupe d'onglet**

Coupe effectuée avec la lame sur toute position autre que perpendiculaire (90°) à la table.

## **Coupes non traversantes (scies à table et scies à onglets composés)**

Toute coupe avec laquelle la lame ne traverse pas complètement la pièce. Il s'agit de faire une coupe sans que la lame coupe la pièce à travailler en deux.

## **Trou pilote (perceuses à colonne et scie à découper)**

Petit trou pratiqué dans une pièce servant de guide pour assurer la précision d'un trou de plus grand diamètre ou pour l'insertion d'une lame de scie à découper.

## **Blocs poussoirs (pour dégauchisseuses/raboteuses)**

Dispositifs utilisés pour pousser le matériau contre la tête de coupe lors de toute opération. Ce dispositif aide à tenir la main de l'opérateur bien à l'écart de la lame.

## **Blocs poussoirs et bâtons poussoirs (pour scies à table)**

Dispositifs utilisés pour pousser le matériau contre la lame lors de la coupe. Toujours utiliser un poussoir (et non un bloc) pour effectuer une refente étroite sans l'aide d'un gabarit ou d'un autre accessoire semblable. Il est possible d'utiliser un bloc pour effectuer une refente étroite si un gabarit ou un autre accessoire semblable est utilisé. Ce dispositif aide à tenir la main de l'opérateur bien à l'écart de la lame.

## **Feuilleure**

Entaille située au bout ou sur le bord de la pièce de bois qui y produit une rainure ou une gorge de forme rectangulaire.

## **Refente (scies à table et scies à ruban)**

Opération de coupe destinée à réduire l'épaisseur d'une pièce pour en produire plusieurs, plus minces.

## **Résine**

Résidu collant formé par la sève du bois durcie.

## **Tours minute (r/min ou RPM)**

Nombre de rotations effectuées par un objet en une minute.

## **Coupe longitudinale ou refente (scies à table)**

Opération de coupe dans le sens de la longueur de la pièce et normalement dans le sens du grain du bois.

## **Couteau diviseur/écarteur (scies à table)**

Pièce de métal légèrement plus mince que la lame, gardant le trait de scie ouvert pour empêcher le rebond.

## **Trajectoire de la lame de scie**

Zone au-dessus, au-dessous, en avant ou en arrière de la lame. En ce qui concerne la pièce, la partie qui sera ou a été coupée par la lame.

## **Sifflet (raboteuses)**

Enfoncement à l'extrémité d'une pièce causé par les lames de la tête de coupe lorsque la pièce n'est pas correctement soutenue.

## **Effiler la Coupe**

Une coupe où le matériel est coupé à une ancho différente au début de la coupe de la fin.

## **Coupe traversante**

Toute opération de coupe avec laquelle la lame traverse toute l'épaisseur de la pièce. Cette sorte de coupe séparera une pièce à travailler en deux morceaux.

## **Pièce ou matériau**

L'article sur lequel le travail est effectué.

## **Table**

Surface sur laquelle la pièce repose lors des opérations de coupe, de perçage, de rabotage ou de ponçage.



# CARACTÉRISTIQUES

## FICHE TECHNIQUE

Diamètre de la lame..... 305 mm (12 po)  
 Trou d'axe..... 25,4 mm (1 po)  
 Vitesse à vide .....4 000/min (RPM)  
 Alimentation..... 120 V, C.A. seulement, 60 Hz, 15 A  
 Capacité de coupe avec onglet 0° / biseau 0° :  
 Dimensions maximum de planches  
 de bois : ..... 50,8 mm x 406,4 mm (2 po x 16 po) (nominal)  
 .....114,3 mm x 355,6 mm (4-1/2 po x 14 po) (réelles)  
 Capacité de coupe avec onglet 45° / biseau 0° :  
 Dimensions maximum  
 de planches de bois : .....50,8 x 304,8 mm (2 po x 12 po)

Capacité de coupe (biseau droit) avec onglet 0° / biseau 45° :  
 Dimensions maximum  
 de planches de bois .....50,8 mm x 406,4 mm (2 x 16)  
 Capacité de coupe avec onglet 45° / biseau 45° :  
 Dimensions maximum de  
 planches de bois : ..... 50,8 mm x 304,8 mm (2 po x 12 po)  
 Capacité de moulure couronnée :  
 Moulure couronnée imbriquée  
 avec onglet de 45° ..... 190,5 mm (7-1/2 po)  
 Moulure couronnée imbriquée  
 avec onglet de 45°/67,5° ..... 168,3 mm (6-5/8 po)

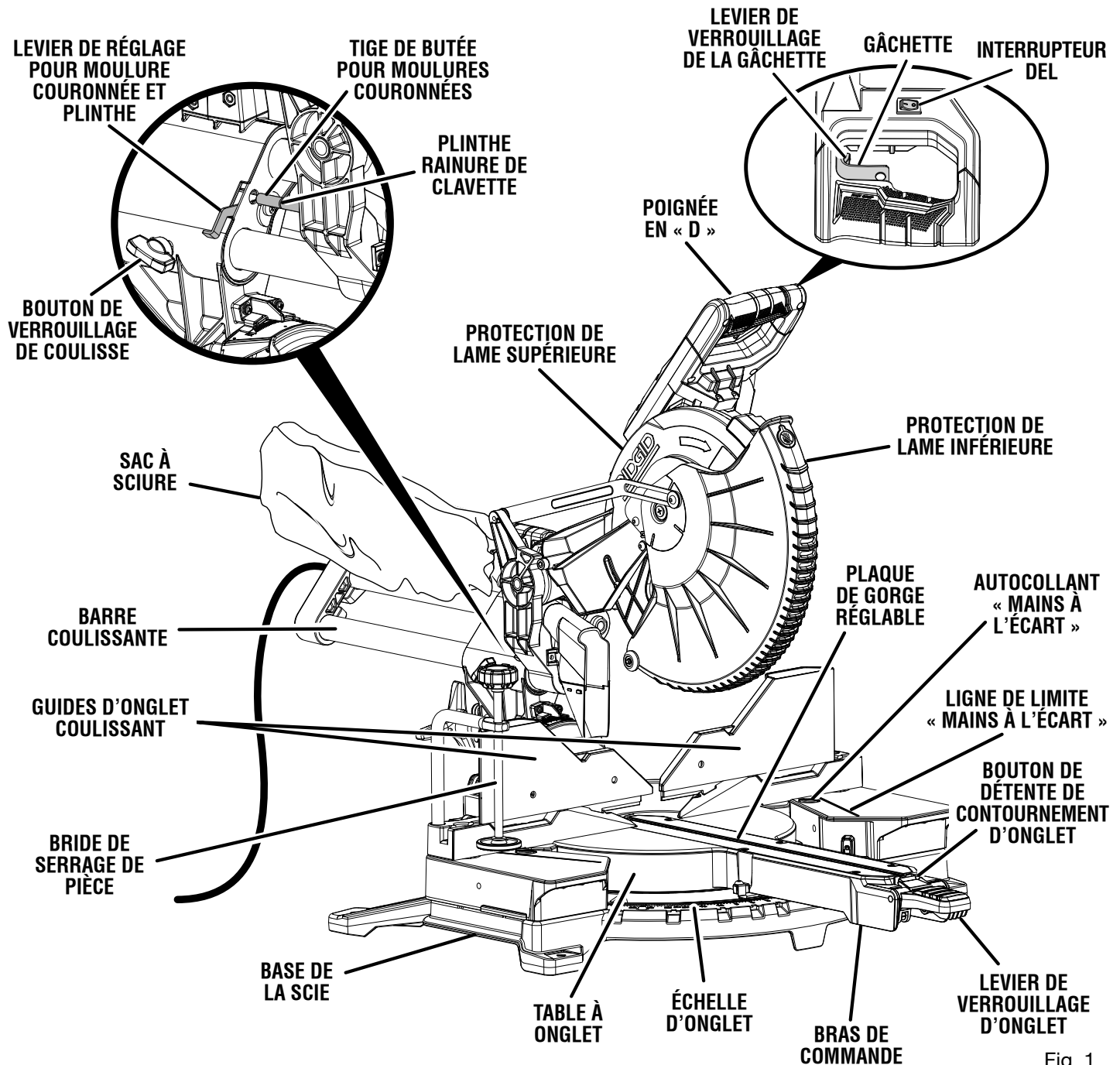


Fig. 1

# CARACTÉRISTIQUES

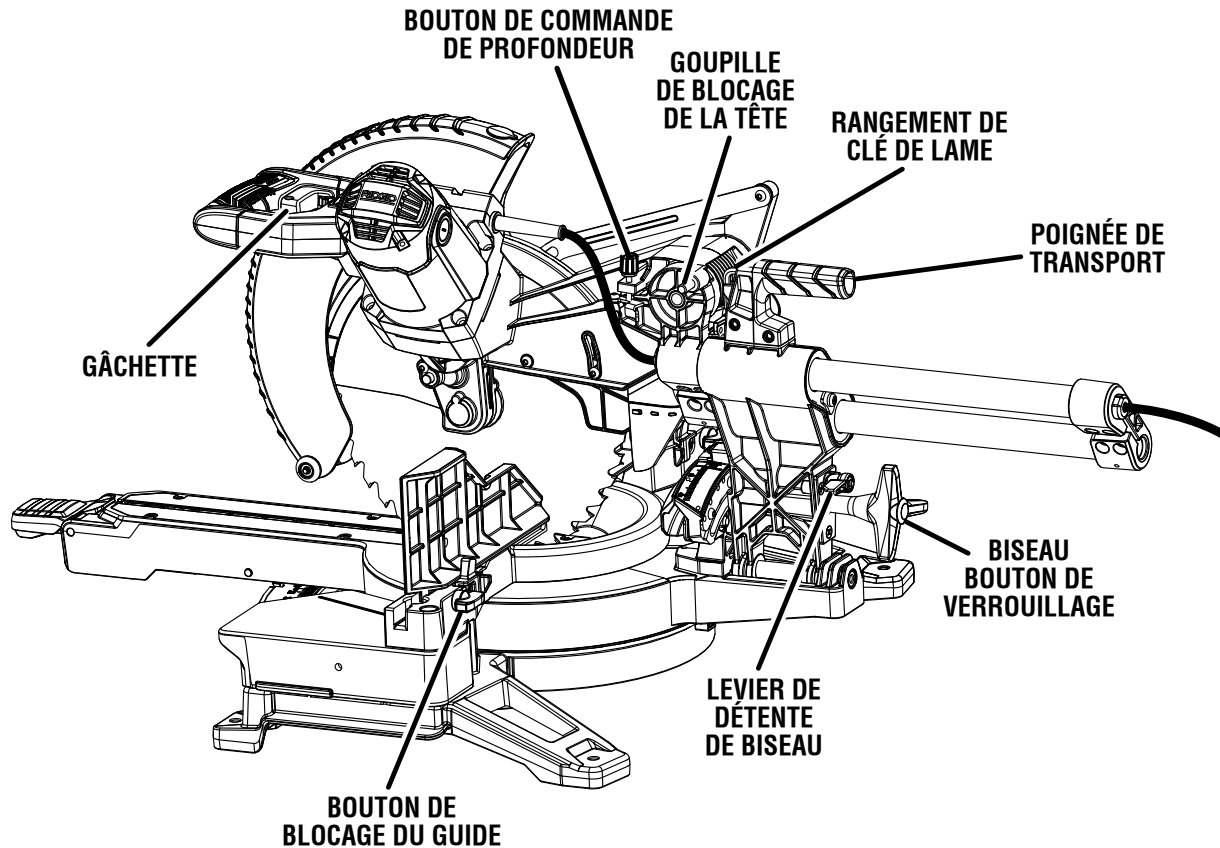


Fig. 2

## APPRENDRE À CONNAÎTRE LA SCIE À ONGLETS COMPOSÉS

Voir les figures 1 - 2.

L'utilisation sûre de ce produit exige une compréhension des renseignements figurant sur l'outil et contenus dans le manuel d'utilisation, ainsi qu'une bonne connaissance du projet entrepris. Avant d'utiliser ce produit, se familiariser avec toutes ses fonctions et règles de sécurité.

### LAME DE 305 mm (12 po)

Une lame de 305 mm (12 po) est fournie avec la scie à onglets composés. Cette lame permet de couper des pièces de 387,4 mm (15-1/4 po) maximum de large, selon l'angle de la coupe.

### LEVIER DE DÉTENTE DE BISEAU

Voir la figure 3.

Desserrer le bouton de verrouillage en biseau avant d'utiliser le levier de verrouillage en biseau. Serrer le bouton après le réglage pour verrouiller la scie en place.

**POSITION 1 : (Déverrouillée le détente)** Pour que la lame s'incline librement vers la gauche ou la droite pour personnaliser le choix des coupes en biseau.

**POSITION 2 : (Verrouillé le détente)** Pour trouver facilement les angles de 0°, 15°, 22,5°, 33,9°, et 45° aux butées indexées.

## BOUTON DE VERROUILLAGE DE BISEAU

Voir la figure 3.

Le bouton de verrouillage de biseau permet de verrouiller solidement la scie aux angles de biseau désirés. Dévisser le bouton de verrouillage de biseau pour débloquer la scie et permettre l'inclinaison de la lame pour couper un biseau à droite ou gauche. Serrer le bouton pour verrouiller la scie en place.

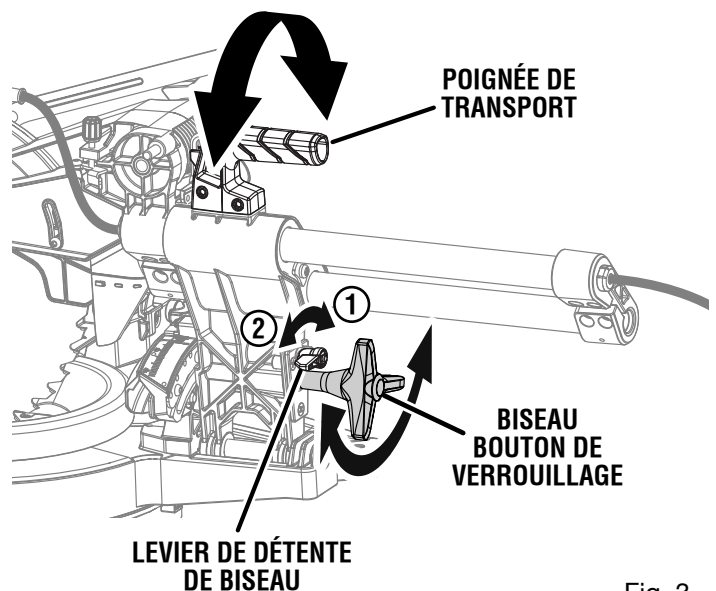


Fig. 3

# CARACTÉRISTIQUES

## POIGNÉES DE TRANSPORT

Voir la figure 4.

La scie à onglets comprend une poignée de transport sur le dessus ainsi que des prises sur chaque côté de sa base, afin de la porter ou transporter de manière pratique d'un endroit à un autre. Pour le transport, arrêter et débrancher la scie, bien serrer le bouton de verrouillage du coulisement, puis abaisser le bras de la scie et le verrouiller dans cette position. Appuyer sur l'axe de verrouillage pour bloquer le bras en place.

**NOTE :** NE PAS faire de coupe pendant que la scie est fermée et verrouillée.

## LEVIER DE RÉGLAGE POUR LES MOULURES COURONNÉES ET LES PLINTHES

Le levier de réglage pour les moulures couronnées et les plinthes est utile pour faire des coupes d'onglets entre 45° à gauche ou à droite de moulures couronnées hautes et de plinthes verticales.

## GUIDE DE PROFONDEUR

Voir la figure 4.

Le bouton de réglage de profondeur est un guide pour limiter le mouvement vers le bas du bras de scie.

## GOUPILLE DE VERROUILLAGE DE LA TÊTE

Voir la figure 4.

La goupille de verrouillage de tête est utilisée pour verrouiller le bras de la scie dans la position basse.

## FREIN ÉLECTRIQUE

La scie est équipée d'un frein électrique pour arrêter rapidement la rotation de la lame une fois que la gâchette est relâchée.

## CAPACITÉ ACCRUE D'ONGLET

Voir la figure 5.

Rallonges de table tournantes pour faire des coupes d'onglet jusqu'à 70°.

## SYSTÈME D'ÉCLAIRAGE DEL

L'éclairage DEL reflète l'ombre des dents de la scie sur la pièce à travailler pour faire des coupes précises et prévoir la trajectoire du trait de scie de la ligne de coupe.

## LEVIER DE VERROUILLAGE D'ONGLET

Voir la figure 5.

Le levier de verrouillage d'onglet permet de verrouiller solidement la scie selon l'angle d'onglet désiré. Abaisser le levier pour verrouiller la scie en place. Pour débloquer la scie, soulever le levier de verrouillage d'onglet et appuyer sur le bouton de détente de contournement d'onglet.

## RAPPORTEUR D'ONGLET

Le rapporteur d'onglet à butées indexées à 0°, 15°, 22,5°, 31,6°, 45°, 60° et 67,5° se trouvent de chaque côté de la table à onglets.

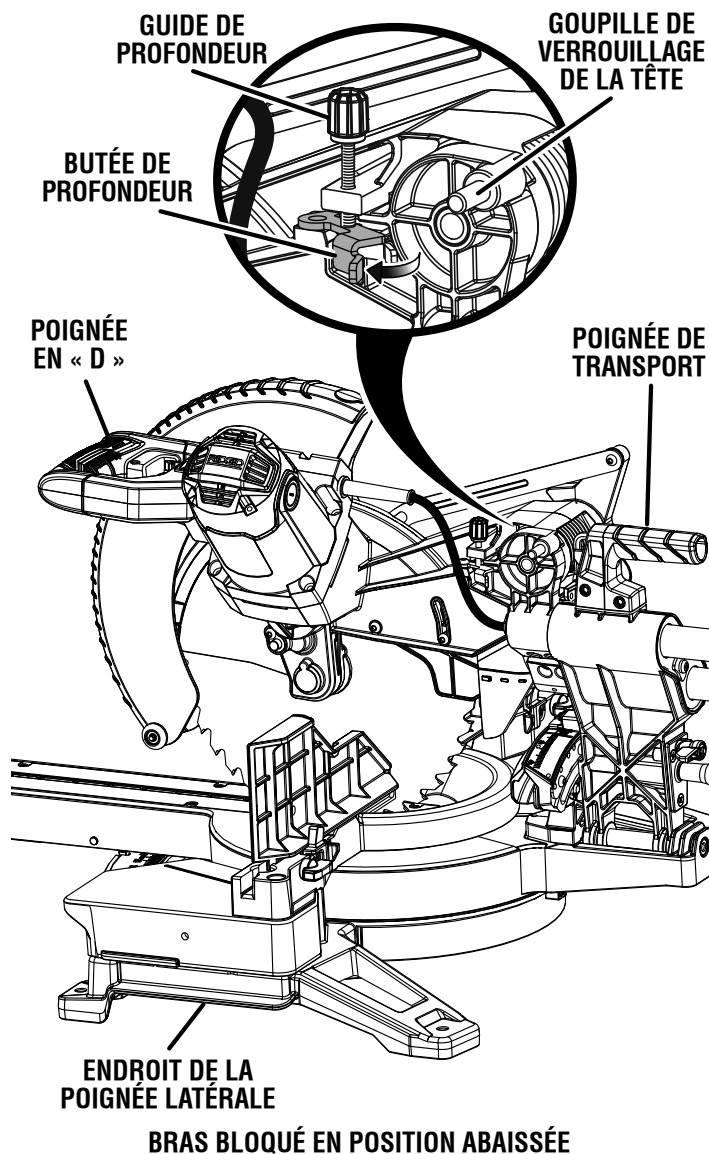


Fig. 4

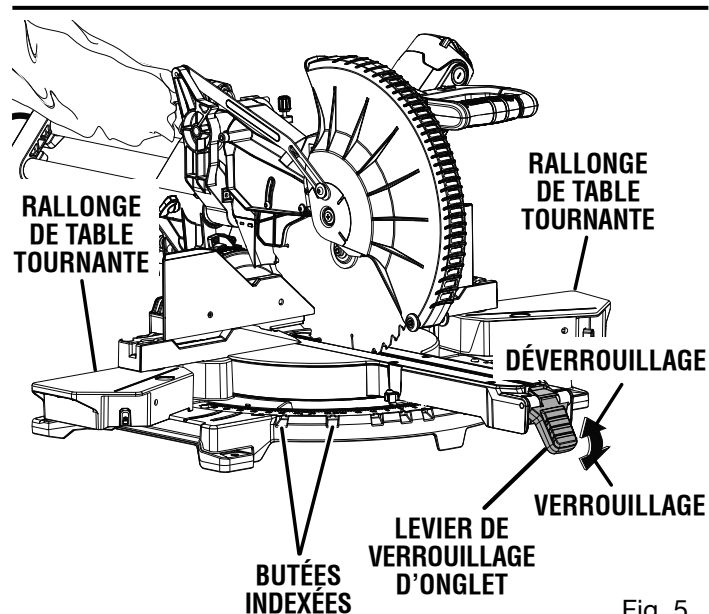


Fig. 5

# CARACTÉRISTIQUES

## PROTECTION RÉTRACTABLE DE LAME INFÉRIEURE

La protection de lame inférieure est construite dans un plastique transparent et résistant aux chocs qui couvre les deux côtés de la lame. Elle se rétracte sur la protection de lame supérieure lorsque la lame est abaissée sur la pièce à couper.

## BARRE COULISSANTE

Lorsqu'il est déverrouillé, le bras de la scie glisse vers l'avant et vers l'arrière sur la longueur de la barre coulissante pour la coupe de diverses largeurs de pièces de travail.

## BOUTON DE VERROUILLAGE DU COULISSEMENT

Le bouton de verrouillage du coulissement verrouille et déverrouille la fonction de coulissement de l'outil.

## GUIDES D'ONGLETS COULISSANTS

Voir la figure 6.

Les guides d'onglets coulissants fournis avec cette scie permettent de maintenir en place la pièce à travailler lors de la plupart des coupes. La fonction de coulissement permet le dégagement de la lame de la scie lors des coupes en biseau ou composées. Certaines coupes exigent que le guide coulissant soit complètement retiré pour éviter l'interférence entre le guide et la lame.

Desserrer la vis du guide avant de tenter de glisser les guides ou de les relever pour les retirer. Une fois la position du guide déterminée, bien resserrer la vis.

## BOUTON DE VERROUILLAGE DE BROCHE

Voir la figure 6.

Un bouton de verrouillage de broche permet de verrouiller la broche de la scie afin d'empêcher la lame de tourner. Ne maintenir le bouton enfoncé que pour l'installation, le changement ou le retrait de la lame.

## GÂCHETTE

Voir la figure 6.

La scie ne démarre pas tant que vous appuyez sur le levier de verrou et appuyez sur la gâchette. Pour empêcher toute utilisation non autorisée de la scie, la débrancher de l'alimentation et verrouiller son commutateur en position d'ARRÊT. Pour verrouiller le commutateur, installer un cadenas (non inclus) dans le trou de la gâchette et s'assurer que l'interrupteur ne peut pas être enfoncé. Si l'interrupteur peut être enfoncé même si le cadenas est installé, un cadenas équipé d'une anse de diamètre plus grand doit être utilisé. Conserver le cadenas dans un autre endroit.

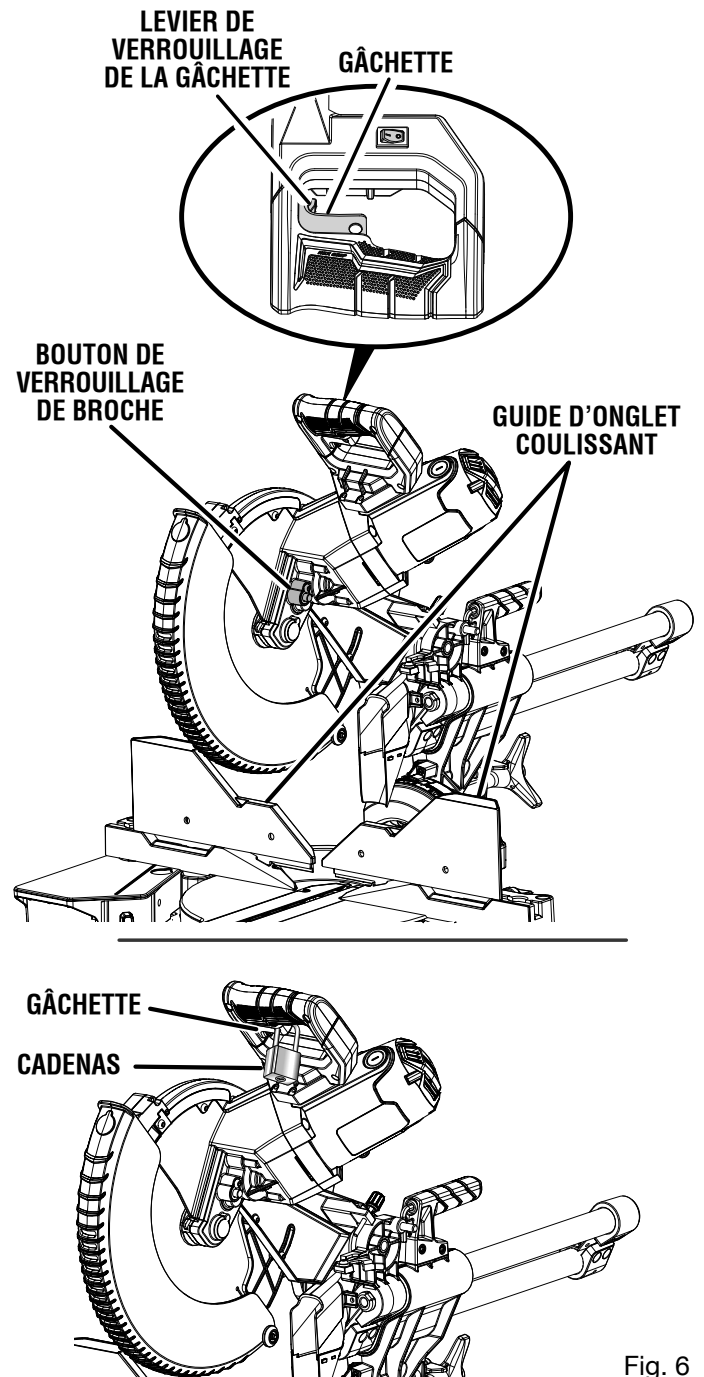


Fig. 6

# OUTILS NÉCESSAIRES

Les outils suivants (non compris) sont nécessaires pour vérifier les réglages de votre scie ou pour installer la lame :

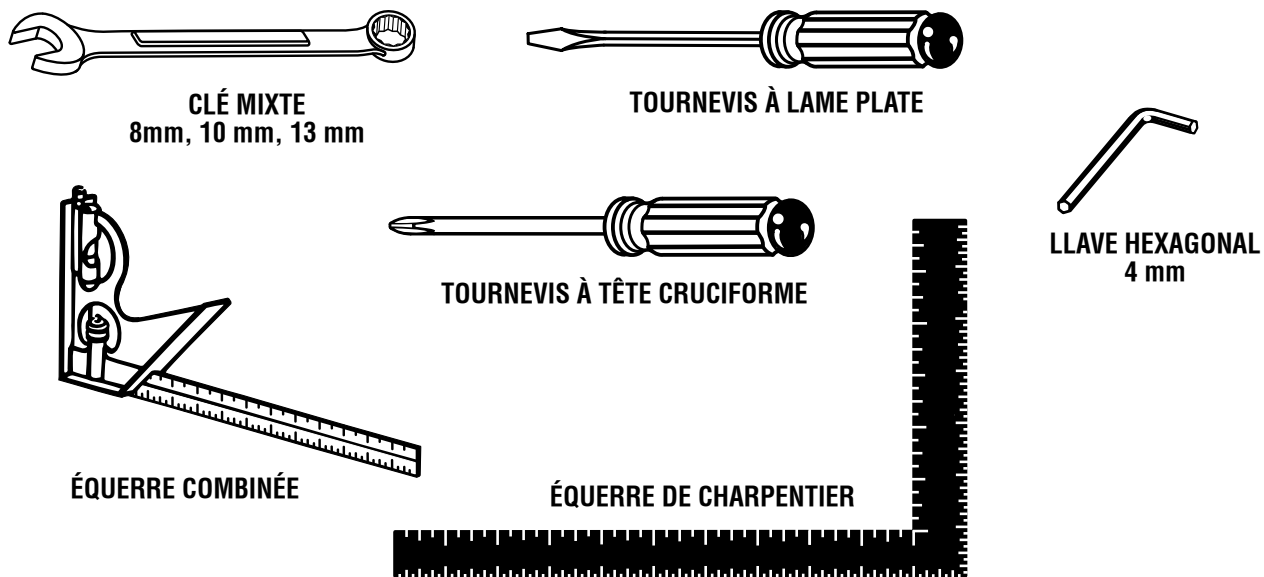


Fig. 7

# PIÈCES DÉTACHÉES

Les articles suivants sont fournis avec la scie à onglets :

- Sac à sciure et ensemble de tube de support
- Bride de serrage de pièce
- Lame
- Clé à lame, clé hex.
- Guide d'onglets coulissant
- Manuel d'utilisation (non illustré)

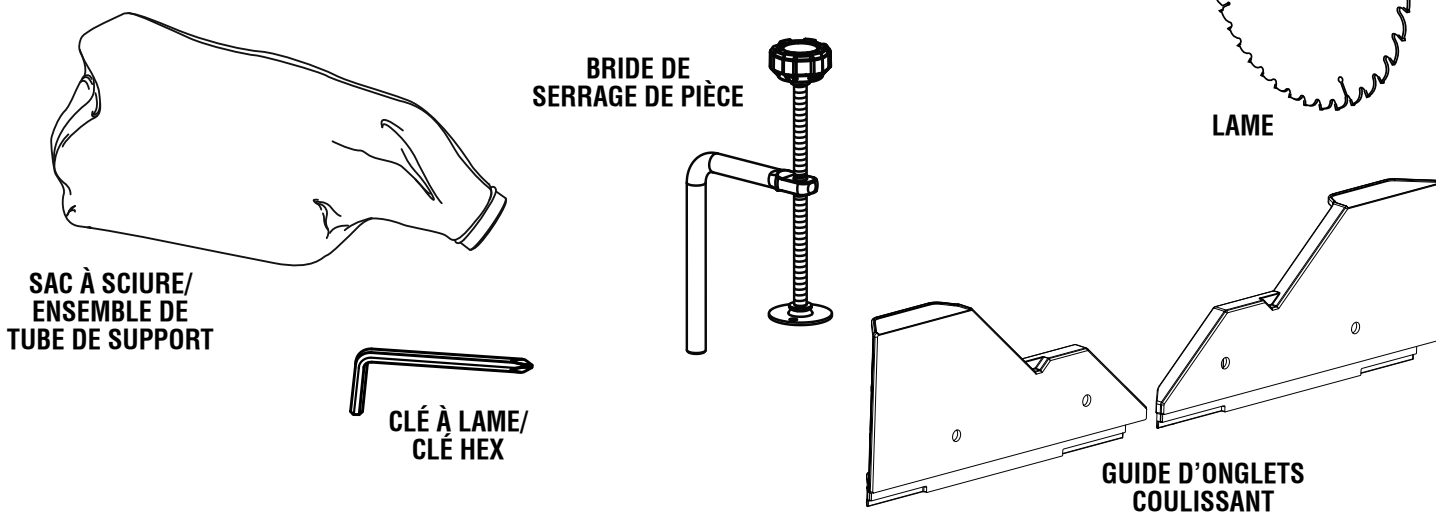


Fig. 8

## ⚠ AVERTISSEMENT :

L'utilisation de pièces et accessoires non listés peut être dangereux et entraîner des blessures graves.

# ASSEMBLAGE

## DÉBALLAGE

Ce produit doit être assemblé.

- Sortir soigneusement la scie du carton en la tenant par la poignée de transport et la base de la scie, et la poser sur un plan de travail horizontal.

### **AVERTISSEMENT :**

Ne pas utiliser le produit si, en le déballant, vous constatez que des éléments figurant dans la liste des pièces détachées sont déjà assemblés. Certaines pièces figurant sur cette liste n'ont pas été assemblées par le fabricant et exigent une installation. Le fait d'utiliser un produit qui a été assemblé de façon inadéquate peut entraîner des blessures.

- La machine a été expédié avec le bras en position abaissée. Pour le libérer, appuyer sur le bras de la scie, couper l'attache et tirer la goupille de verrouillage.

### **AVERTISSEMENT :**

Le bras de la scie est équipé d'un ressort. Maintenir la poignée abaissée pour éviter son relèvement brusque au moment de couper l'attache autobloquante. Ne pas prendre cette précaution représente un risque des blessures graves.

- Relever le bras de la scie en le tirant par sa poignée en « D ». Continuer de maintenir le bras de la scie d'une main, pour empêcher qu'il ne se relève brusquement lorsque l'attache est coupée.
- Couper l'attache au bout du barre à coulissante. Glisser la tête de la scie complètement vers l'arrière et serrer fermement le bouton de verrouillage de coulissement.
- Examiner soigneusement l'outil pour s'assurer que rien n'a été brisé ou endommagé en cours de transport.
- Ne pas jeter les matériaux d'emballage avant d'avoir soigneusement examiné l'outil et avoir vérifié qu'il fonctionne correctement.

- La scie est réglée en usine pour effectuer une coupe précise. Après l'avoir assemblée, vérifier sa précision. Si les réglages ont été modifiés en cours d'expédition, voir les procédures spécifiques présentées dans ce manuel.
- Si des pièces sont manquantes ou endommagées, appeler le 1-866-539-1710.

### **AVERTISSEMENT :**

Si des pièces manquent ou sont endommagées, ne pas utiliser ce produit avant qu'elles aient été remplacées. Le fait d'utiliser ce produit même s'il contient des pièces endommagées ou s'il lui manque des pièces peut entraîner des blessures graves.

### **AVERTISSEMENT :**

Ne pas essayer de modifier cet outil ou de créer des accessoires non recommandés pour cet outil. De telles altérations ou modifications sont considérées comme un usage abusif et peuvent créer des conditions dangereuses, risquant d'entraîner des blessures graves.

### **AVERTISSEMENT :**

Ne pas brancher sur le secteur avant d'avoir terminé l'assemblage. Le non respect de cet avertissement peut causer un démarrage accidentel, entraînant des blessures graves.

### **AVERTISSEMENT :**

Ne pas mettre la scie en marche sans s'être assuré de l'absence d'interférence entre la lame et le guide d'onglets. La lame pourrait être endommagée si elle entrait en contact avec le guide d'onglets pendant le fonctionnement.

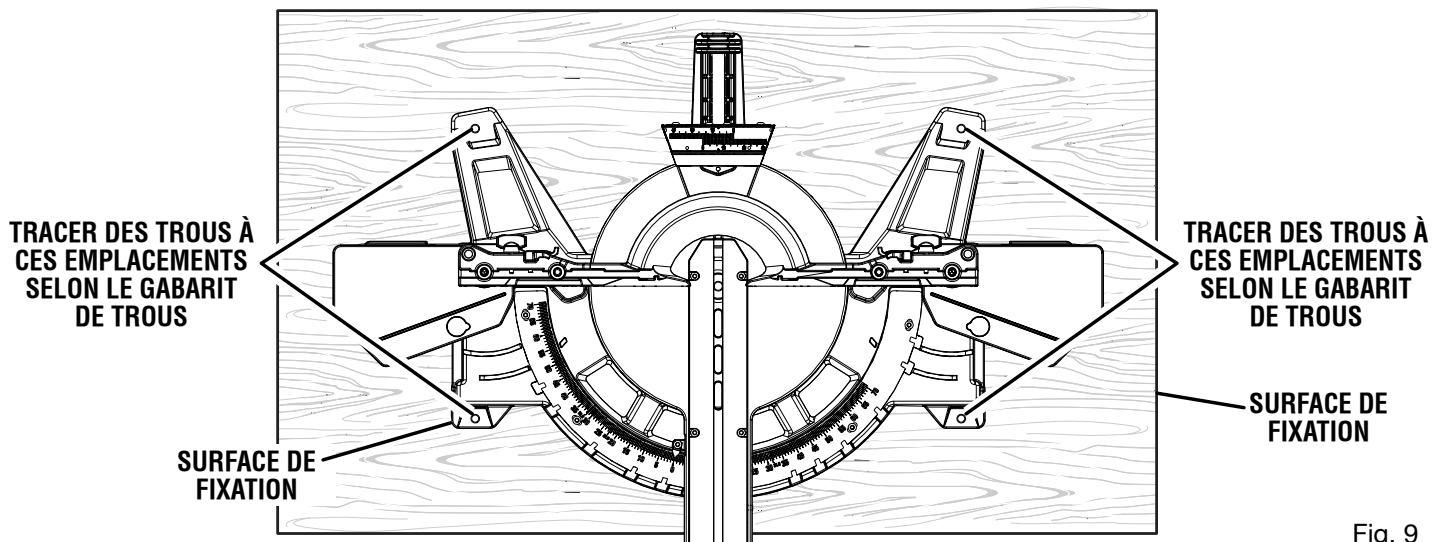


Fig. 9

# ASSEMBLAGE

## **⚠ AVERTISSEMENT :**

Cette scie peut basculer si sa tête est relâchée brusquement et assujettie à un plan de travail. Pour éviter des blessures graves, **TOUJOURS** assujettir la scie à un plan de travail stable.

## **TROUS DE FIXATION**

Voir la figure 9.

## **⚠ AVERTISSEMENT :**

Avant d'entreprendre toute opération de coupe, assujettir ou boulonner la scie à onglets sur le plan de travail ou un stand approuvé pour scie à onglets. Si on utilise un support de scie à onglet, lire le manuel d'utilisation et suivre les instructions pour le support de scie à onglet. Ne jamais utiliser la scie à onglets sur le sol ou en se tenant accroupi. Le non respect de cette mise en garde peut entraîner des blessures graves.

La scie à onglets composée doit être montée solidement sur un plan de travail ferme, tel qu'un établi, planche de montage, ou un stand pour scie à onglets. La base de la scie possède quatre trous de montage. Les boulons ou vis doivent être assez longs pour traverser la base de la scie, les rondelles frein, les écrous et l'établi. Serrer les boulons ou vis fermement.

La figure 9 illustre la configuration des trous pour l'installation sur un établi. Une fois la scie installée, vérifier soigneusement l'établi pour s'assurer qu'aucun mouvement ne peut se produire pendant l'utilisation. Si l'établi bascule, glisse ou se déplace, l'assujettir sur le sol avant d'utiliser la scie.

## **INSTALLER LES GUIDES D'ONGLET COULISSANTS**

Voir la figure 10.

- Tourner la vis du guide d'onglet dans le sens anti-horaire pour dégager la fente du guide.
- Installer le guide d'onglet coulissant. Abaisser le guide dans les fentes. S'assurer que le côté du guide est égal avec le côté du guide fixe.
- Serrer la vis du guide fermement. Répéter de l'autre côté.

## **SAC À SCIURE ET ENSEMBLE DE TUBE DE SUPPORT**

Voir la figure 11.

Pour installer le sac à poussière et le bâti, glisser l'extrémité ouverte du bâti sur l'orifice d'échappement.

Pour un fonctionnement efficace, vider le sac à poussière avant qu'il soit à moitié plein. Ceci permettra une meilleure circulation d'air du sac.

**NOTE :** L'orifice d'échappement accepte aussi un boyau d'aspirateur de 31,8 mm (1 1/4 po) et des adaptateurs de 31,8 mm (1 1/4 po) d'aspirateurs secs/humides.

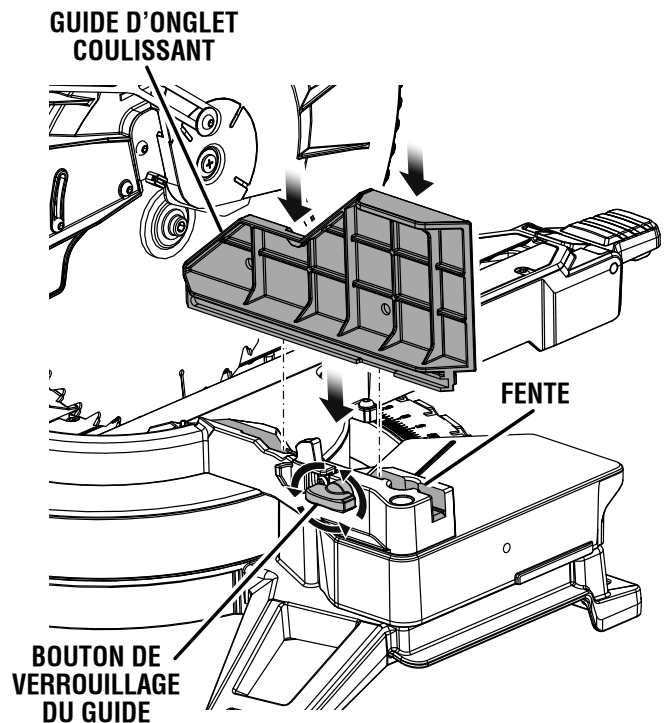


Fig. 10

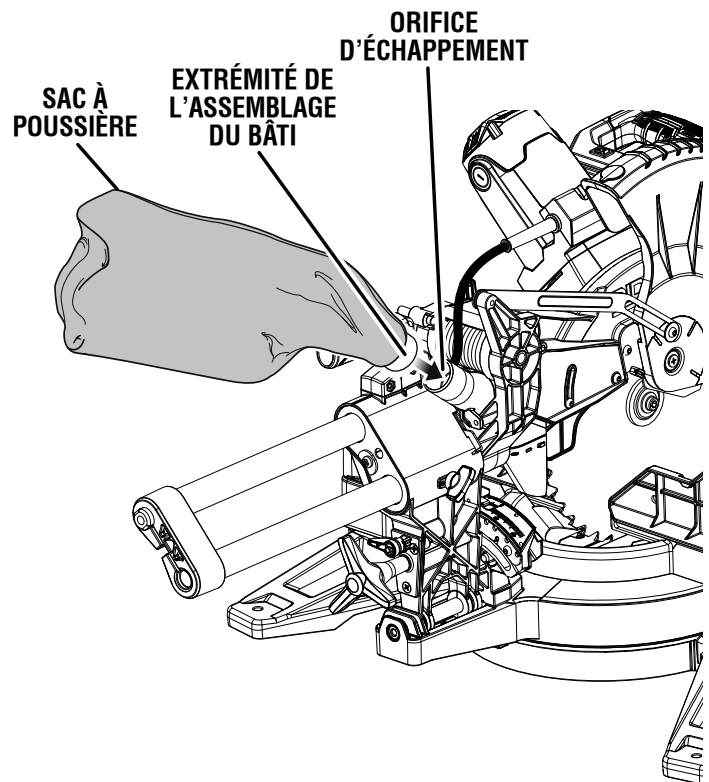


Fig. 11

# ASSEMBLAGE

## UTILISATION DU GUIDE DE PROFONDEUR

Voir la figure 12.

Lorsqu'il est utilisé, le guide de profondeur limite la course vers le bas de la lame lors de la coupe de rainures et d'autres coupes non traversantes.

### Pour utiliser le guide de profondeur :

- Débrancher la scie.
- Tourner la butée de profondeur vers l'extérieur.
- Avec l'extrémité du bouton de commande de profondeur touchant l'arrêt butée de profondeur, ajuster le bouton de commande de profondeur en tournant le bouton jusqu'à ce que la profondeur désirée de coupe est atteinte.
- Une entretoise en bois peut être placée entre la pièce à travailler et le guide longitudinal pour créer un espace de 63,5 mm (2 1/2 po) entre la pièce à travailler et le guide longitudinal afin d'obtenir une profondeur de coupe uniforme de la pièce à travailler. Utiliser le serre-joint pour immobiliser l'entretoise et une autre bride de serrage adaptée pour immobiliser la pièce à travailler. Effectuer la coupe coulissante à la profondeur désirée. Voir les figures 41 et 42.
- Tourner la butée de profondeur intérieur pour effectuer des coupes complètes.

**NOTE :** La butée de profondeur doit être poussée vers le logement du moteur avant de verrouiller ou déverrouiller le bras de la scie.

## VERROUILLAGE / DÉVERROUILLAGE DU BRAS DE LA SCIE

Voir la figure 12.

Il n'est pas nécessaire de relâcher le bouton de commande de profondeur pour verrouiller ou déverrouiller le bras de la scie.

### Pour déverrouiller et relever le bras de la scie :

- Tenir fermement la poignée en D et appuyer vers le bas en poussant simultanément la goupille de verrouillage à l'intérieur et vers le logement de la scie.
- Relâcher la goupille et relever lentement le bras de la scie.

### Pour reverrouiller le bras de la scie :

- Tenir fermement la poignée en D et appuyer vers le bas en poussant simultanément la goupille de verrouillage à l'intérieur et vers le logement de la scie.
- Relâcher la goupille de verrouillage et lui permettre de verrouiller la scie en place.

## CLÉ DE LAME

Voir la figure 13.

La scie est fournie avec une clé de lame. Une extrémité de la clé est un tournevis cruciforme et l'autre est une clé hexagonale. Utiliser l'extrémité à clé hexagonale pour installer et déposer la lame et l'extrémité à tournevis cruciforme pour retirer ou desserrer des vis. Un espace de rangement pour la clé de lame se trouve à l'avant du poignée de transport.

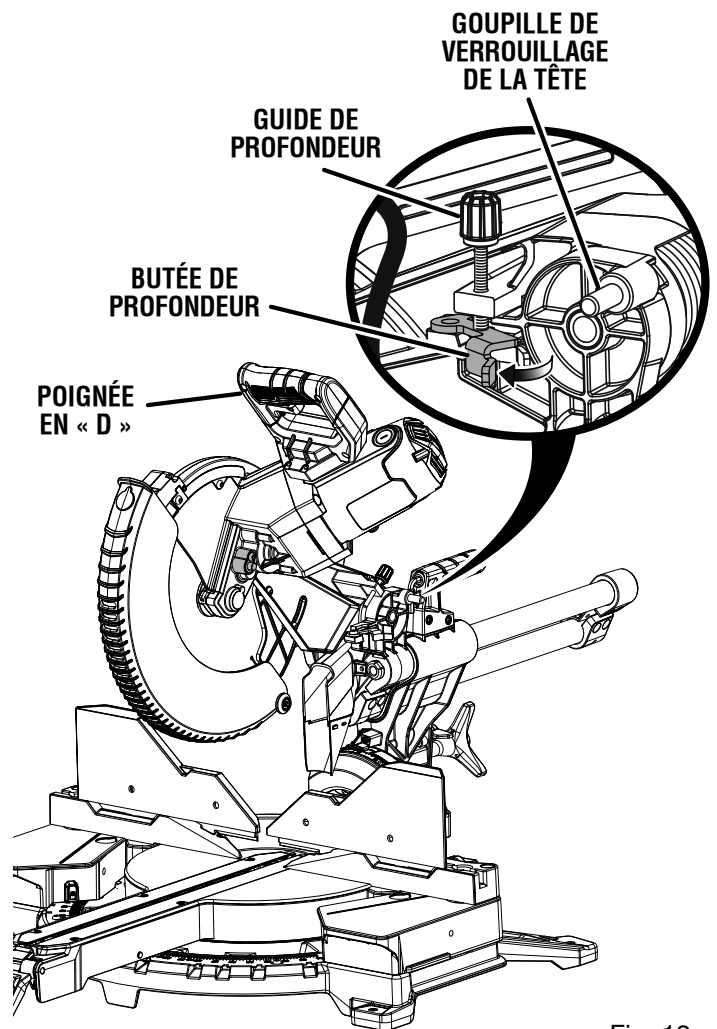


Fig. 12

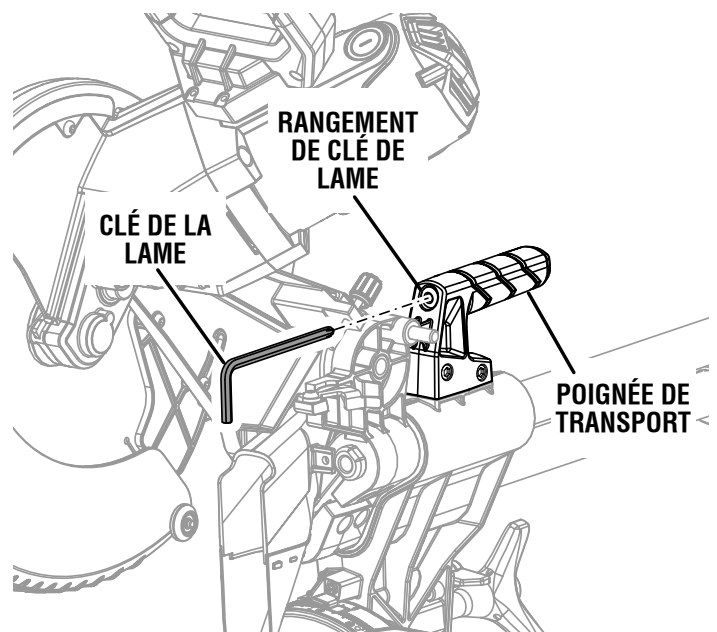


Fig. 13



# ASSEMBLAGE

## INSTALLATION/REPLACEMENT DE LA LAME

Voir la figure 14.

### **AVERTISSEMENT :**

Votre scie ne peut accepter qu'une lame d'un diamètre de 305 mm (12 po) au maximum. D'autre part, n'utilisez jamais une lame trop épaisse pour permettre à la rondelle extérieure de lame de s'enclencher avec les méplats de l'arbre. Des lames plus grandes viendront en contact avec le protège-lame, alors que des lames plus épaisses empêcheront la vis de lame de fixer celle-ci sur l'arbre. L'une ou l'autre de ces situations peut entraîner un accident grave et gravement blesser.

- Débrancher la scie.
  - Relever le bras de la scie.
  - Tourner le protège-lame inférieur vers le haut et l'arrière pour exposer le boulon de lame.
  - Appuyez sur le bouton de blocage de la broche et tournez le boulon de la lame jusqu'à ce que la broche se bloque.
  - Avec l'extrémité hexagonale de la clé pour lame, desserrer et retirer le boulon de lame de l'arbre.
- NOTE :** Le boulon de la lame est doté d'un filet à gauche. Tournez le boulon de la lame dans le sens horaire pour le desserrer.
- Retirez le flasque extérieur de la lame. **Ne pas** retirez le bague ou flasque intérieur de la lame.
  - Appliquez une goutte d'huile sur le bague et sur le flasque extérieur de la lame au point où ils touchent la lame.

### **AVERTISSEMENT :**

Si le bague et/ou flasque intérieur de la lame have been removed, a été retiré, remettez-le en place avant de monter la lame sur la broche. Sinon la lame ne sera pas bien serrée, ce qui risque d'entraîner un accident.

- Insérer la lame de la scie à l'intérieur du protège-lame supérieur ainsi que sur le diamètre extérieur de la bague et contre la rondelle de lame intérieure. Les dents doivent être orientées vers le bas à l'avant de la lame, comme le montre la figure 14.
  - Remettez le flasque extérieur de la lame. Le méplat double en « D » des flasques de la lame s'aligne avec les méplats de la broche.
  - Appuyez sur le bouton de blocage de la broche et remettez le boulon de la lame.
- NOTE :** Le boulon de la lame comporte un filet à gauche. Tournez le boulon de la lame dans le sens antihoraire pour le serrer.

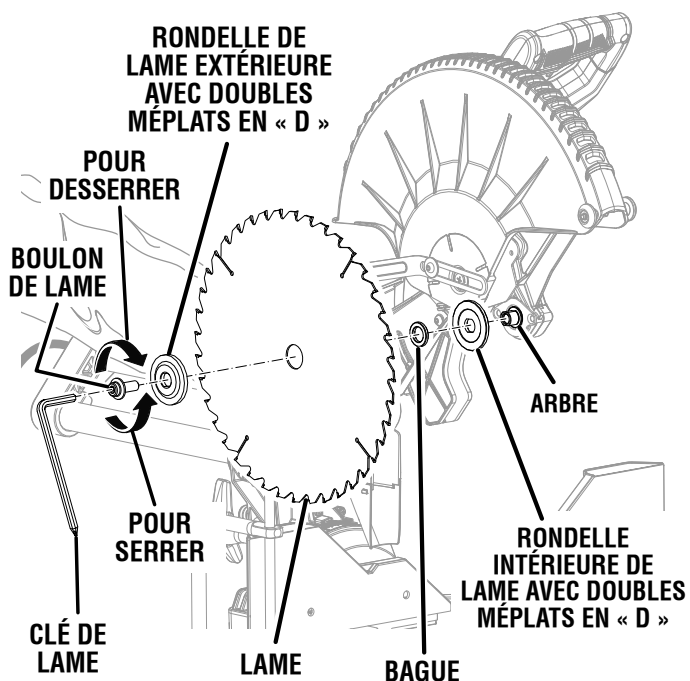
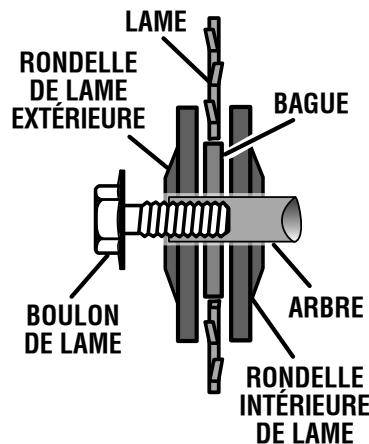


Fig. 14

### **ATTENTION :**

Toujours installer la lame avec les dents et la flèche imprimée sur son côté, orientées vers le bas à l'avant de la scie. Le sens de rotation de la lame est également représenté par une flèche estampée sur la protection supérieure.

- Serrer les boulons fermement.
- Abaisser la protection de la lame.
- Lever et abaisser le bras de la scie pour s'assurer que la protection supérieure de la lame fonctionne correctement.

# ASSEMBLAGE

## **⚠ AVERTISSEMENT :**

S'assurer que le bouton de verrouillage de la broche n'est pas engagé avant de brancher la scie sur le secteur. Ne jamais engager le bouton de verrouillage de la broche lorsque la lame est en rotation.

## **RÉGLAGE /RETRAIT / REMPLACEMENT DE PLAQUE DE GORGE RÉGLABLE**

Voir la figure 15.

Lors de l'ajustement de la lame, il peut être nécessaire de déplacer la plaque à gorge à l'écart. Une fois l'alignement de la scie confirmé, ramener la plaque à gorge à sa position d'origine. Ne jamais utiliser la scie à moins que la plaque à gorge ne soit installée.

### **Pour ajuster la plaque à gorge :**

**NOTE :** Il est possible d'ajuster la plaque à gorge pour avoir un dégagement (presque) nul afin de supporter les matériaux fins.

- Débrancher la scie.
- À l'aide de la clé fournie, desserrer les vis fixant le côté droit de la plaque à gorge.

**NOTE:** Il peut être nécessaire d'ajuster le guide à onglets coulissant pour accéder aux vis qui sont le plus proches de la lame.

- Glisser le côté droit de la plaque à gorge ajustable le plus près ou le plus loin de la lame.
- Remettre les vis en place en veillant à ne pas trop les serrer ce qui pourrait causer le voilage ou la déformation de la plaque.
- Répéter les étapes ci-dessus pour le côté gauche de la plaque à gorge.

### **Pour enlever et remplacer la plaque à gorge :**

- Débrancher la scie.
- Retirer les vis sécurisant la plaque à gorge.
- Soulever la plaque à gorge de la scie.
- Pour réinstaller la plaque à gorge, aligner les trous de la plaque à gorge sur ceux de la base de la scie.
- Remettre les vis en place en veillant à ne pas trop les serrer ce qui pourrait causer le voilage ou la déformation de la plaque.

## **INSTALLATION DE LA BRIDE DE SERRAGE**

Voir la figure 16.

## **⚠ AVERTISSEMENT :**

Dans certaines conditions, la bride de serrage de pièce peut interférer avec le fonctionnement de la protection de lame. Toujours s'assurer du libre fonctionnement de la protection de lame avant de commencer la coupe, afin de réduire les risques de blessure grave.

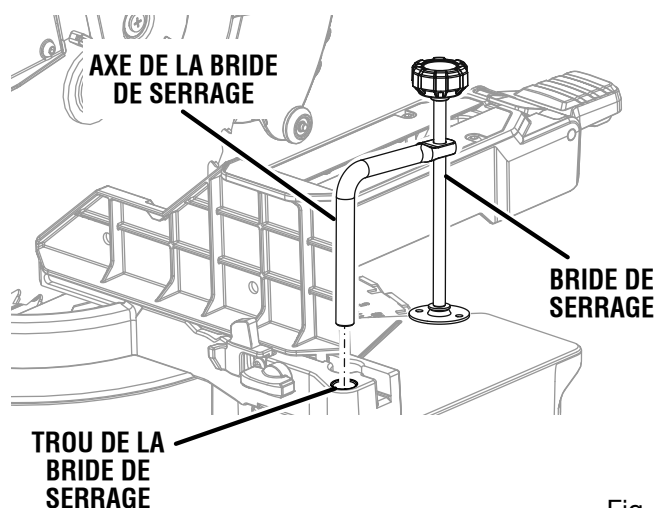
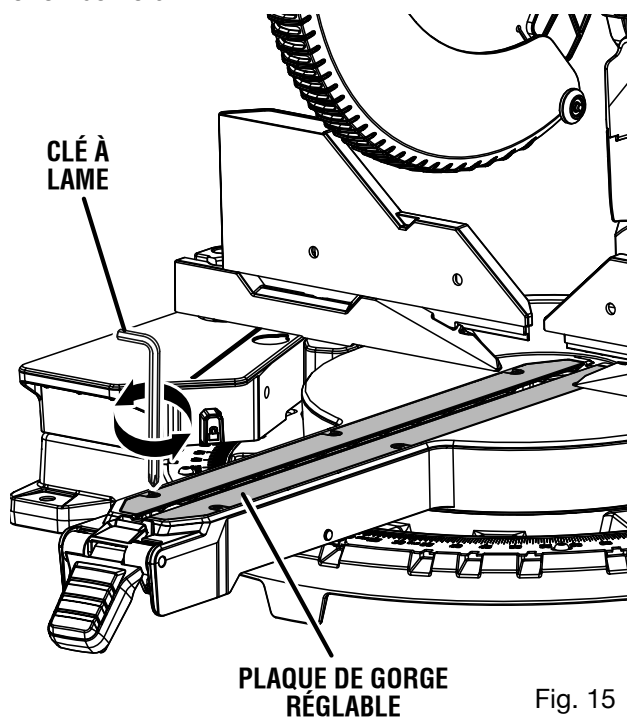
La bride de serrage de pièce permet un contrôle accru en bridant la pièce sur la table à onglet. Elle permet également d'éviter que la pièce ne se déplace vers la lame. Ceci est

particulièrement utile lors de la coupe d'onglets composés. En fonction de l'opération de coupe et de la taille de la pièce, il peut être nécessaire d'utiliser un serre-joint ou autre pince adaptée au lieu de la bride de serrage de pièce pour bloquer la pièce avant d'effectuer la coupe. La bride de serrage peut être installée et utilisée de n'importe quel côté de la lame.

### **Installation de la bride de serrage de pièce :**

- Placer l'axe de la bride de serrage dans l'un des trous situé derrière le guide d'onglet coulissant.
- Tourner le bouton de la bride de serrage pour la déplacer vers le haut ou vers le bas selon le besoin.

**NOTE :** De nombreuses illustrations de ce manuel ne montrent que des parties de la scie à onglets composés. Cette présentation a été choisie pour montrer clairement les différents aspects de la scie. **Ne jamais utiliser la scie sans avoir vérifié que tous les dispositifs de protection sont en place et en bon état.**



# ASSEMBLAGE

## ÉQUERRAGE DE LA LAME PAR RAPPORT AU GUIDE

Voir les figures 17 - 24.

- Débrancher la scie.
- Glisser la tête de la scie complètement vers l'arrière et serrer fermement le bouton de verrouillage de coulissement.
- Abaisser complètement le bras de la scie vers le bas et verrouiller en position de transport.
- Desserrer le bouton de verrouillage en biseau et désengager le levier de détente en biseau.
- Réglez la scie à un angle de biseau de 0 degré, engagez le levier de détente en biseau et s'assurer que la scie s'engage dans la détente.
- Serrer le bouton de verrouillage du biseau.
- Soulever le levier de verrouillage d'onglet pour déverrouiller la table d'onglets.
- Appuyer à moitié sur le contournement du cran des onglets et tourner le bras de contrôle jusqu'à ce que le pointeur de l'échelle des onglets indique 0°.
- Relâcher la détente de contournement d'onglet et laisser la table d'onglets se positionner sur la position de détente de 0°.
- Abaisser le levier de verrouillage d'onglet pour verrouiller la table d'onglets.
- Déposer une équerre de charpente à plat sur la table d'onglets. Placer un bras de l'équerre contre le guide fixe. Glisser l'autre bras de l'équerre contre la partie plate de la lame de la scie.

**NOTE :** S'assurer que l'équerre touche la partie plate de la lame de la scie et non les dents.

- Le bord de l'équerre et la lame de la scie doivent être parallèles, comme illustré à la figure 19.

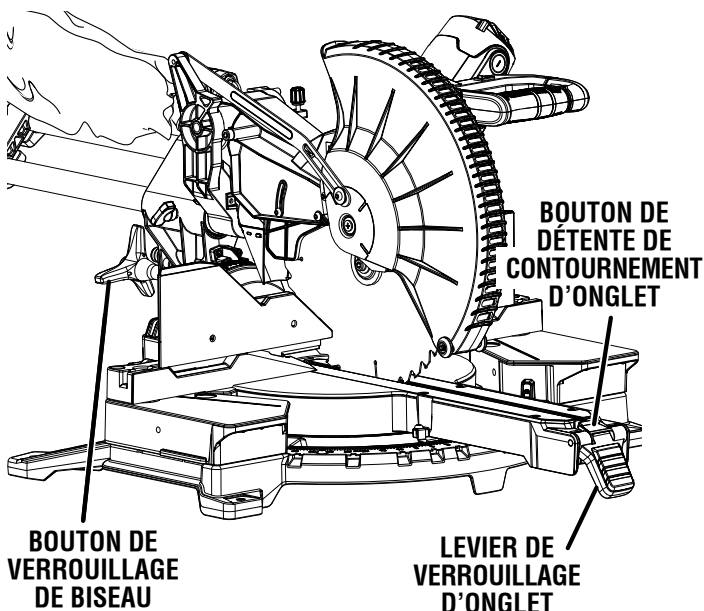


Fig. 17

- Des réglages seront requis si le bord avant ou arrière des angles de la lame sont éloignés de l'équerre, comme illustré aux figures figures 20 et 21.
- Ouvrir complètement les rallonges de table. Consulter le chapitre **Faire des coupes d'onglet longues** plus loin dans ce manuel.
- Soulever le levier de verrouillage d'onglet pour déverrouiller la table d'onglets.
- Appuyer sur la détente de contournement d'onglet jusqu'à ce qu'il s'enclenche (clic). Relâcher la fonction de contournement de la détente.

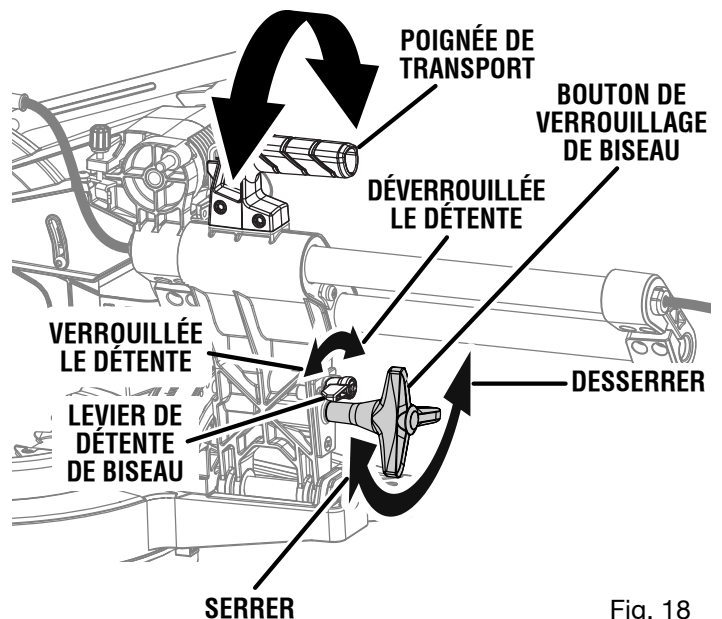
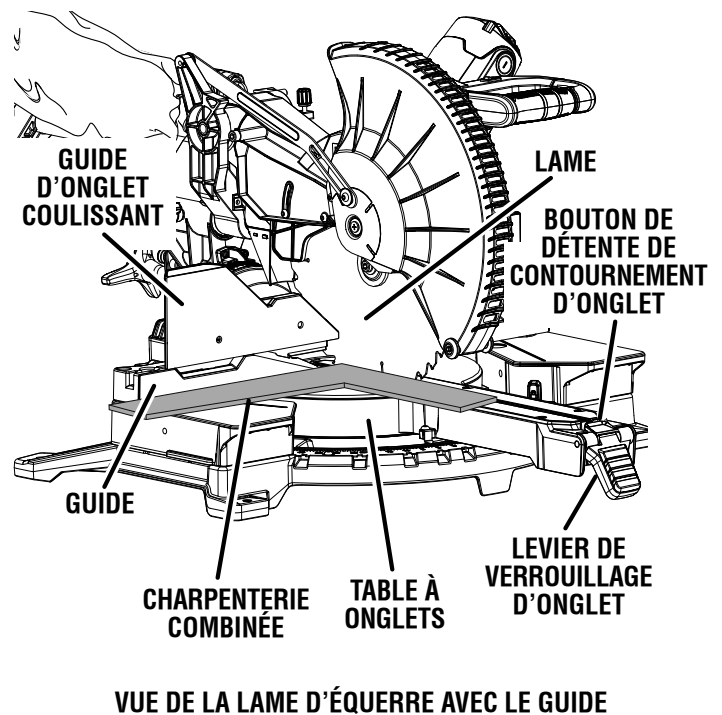


Fig. 18

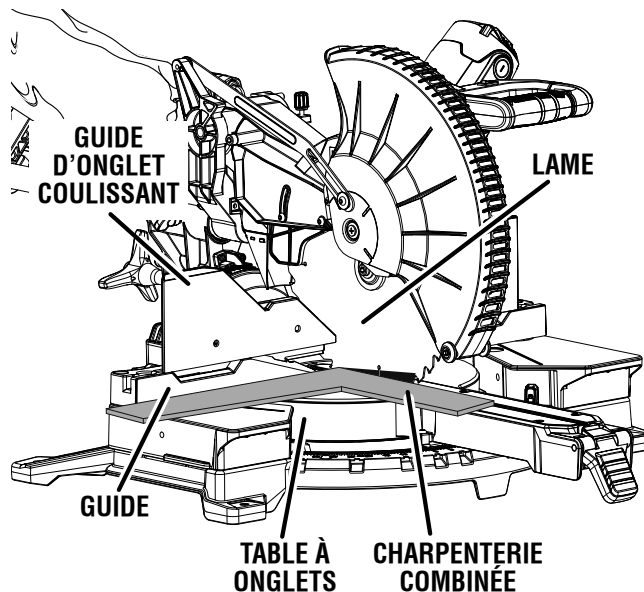


VUE DE LA LAME D'ÉQUERRE AVEC LE GUIDE

Fig. 19

# ASSEMBLAGE

- Tourner la table d'onglets jusqu'à ce que l'aiguille indicatrice pointe à la position 15° de l'échelle d'onglets.
- Avec une clé hexagonale de 4 mm, dévisser les cinq (5) vis fixant l'échelle d'onglets et la plaque de la détente en place.
- Tourner la table d'onglets jusqu'à ce que la lame soit parallèle avec l'équerre de charpente.
- Abaisser le levier de verrouillage d'onglet pour verrouiller la table d'onglets.
- Appuyer sur la détente de contournement d'onglet jusqu'à ce qu'il s'enclenche (clic). Relâcher pour enclencher la fonction de détente.



VUE DE LA LAME NON D'ÉQUERRE AVEC LE GUIDE RÉGLAGES REQUIS

Fig. 20

- Tourner l'échelle d'onglets à la position 0° de l'échelle d'onglets et jusqu'à ce que la détente s'enclenche à la plaquette frein.
- Serrer les quatre (4) vis visibles fixant l'échelle d'onglet et la plaque de la détente.
- Soulever le levier de verrouillage d'onglet pour déverrouiller la table d'onglets.
- Appuyer sur le bouton de la détente de contournement d'onglet jusqu'à ce qu'il s'enclenche (clic) puis tourner la table d'onglets à la position 15° de la table d'onglets.
- Serrer les autres vis fixant l'échelle d'onglets et la plaque de la détente. Vérifier la perpendicularité de la lame avec le guide longitudinal et réajuster au besoin.

La scie présente plusieurs indicateur d'échelle. Une fois les réglages d'alignement effectués, il peut être nécessaire de desserrer les vis indicateur pour les régler à zéro. Voir les figures 23 et 24.

## L'ÉCHELLE D'ONGLETS/ PLAQUE DE DÉTENTE

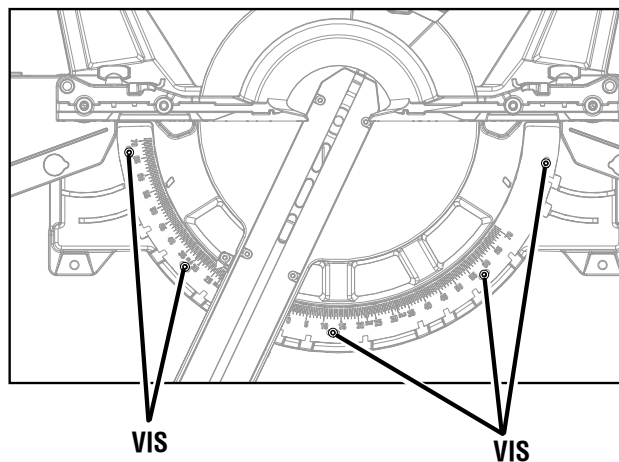
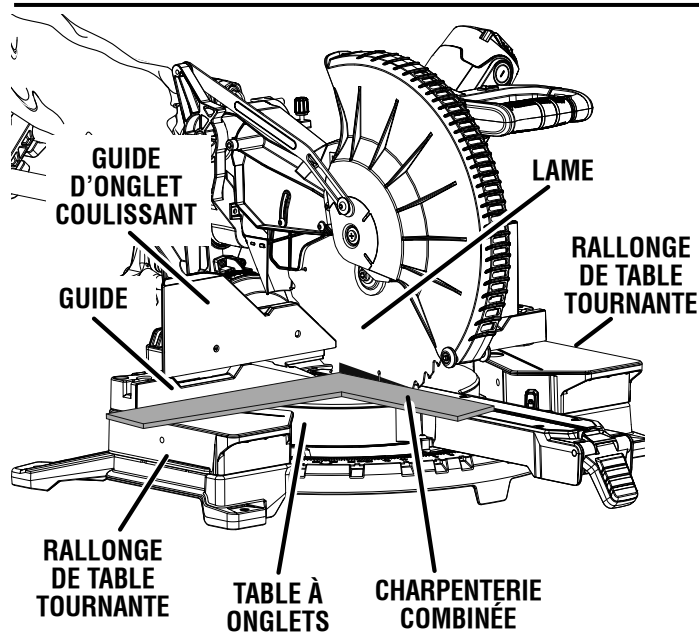


Fig. 22



VUE DE LA LAME NON D'ÉQUERRE AVEC LE GUIDE RÉGLAGES REQUIS

Fig. 21

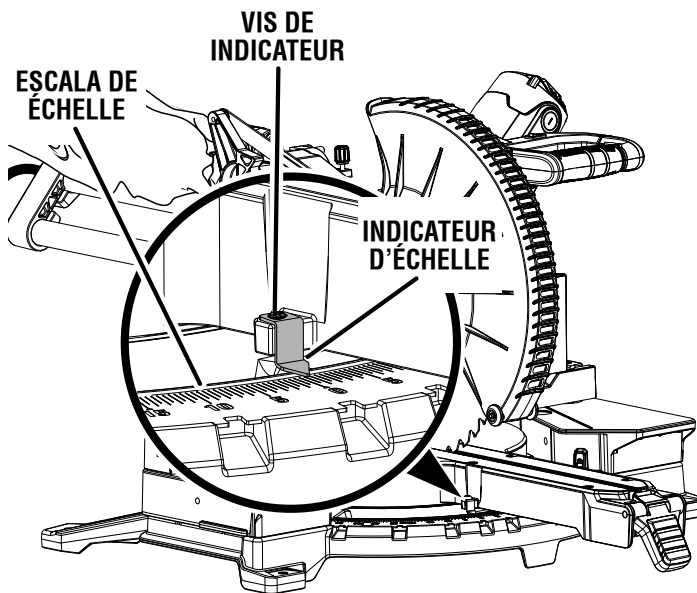


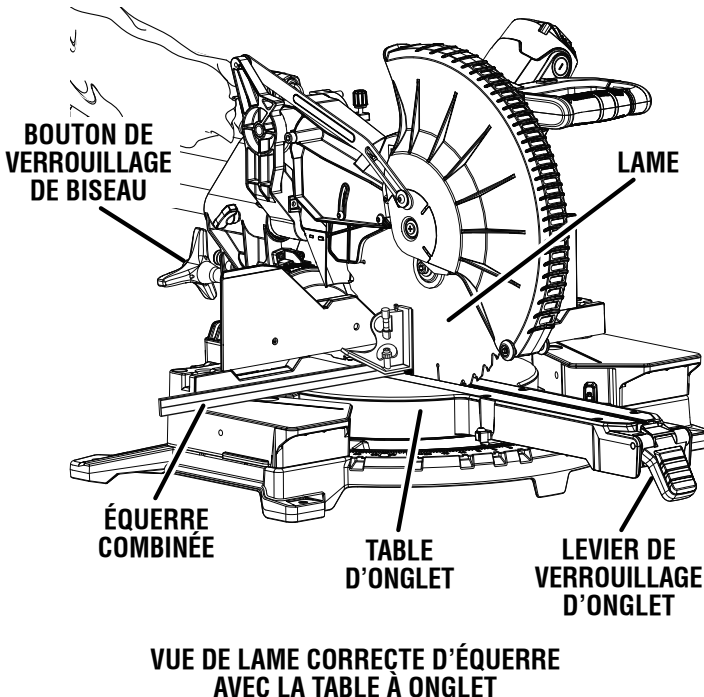
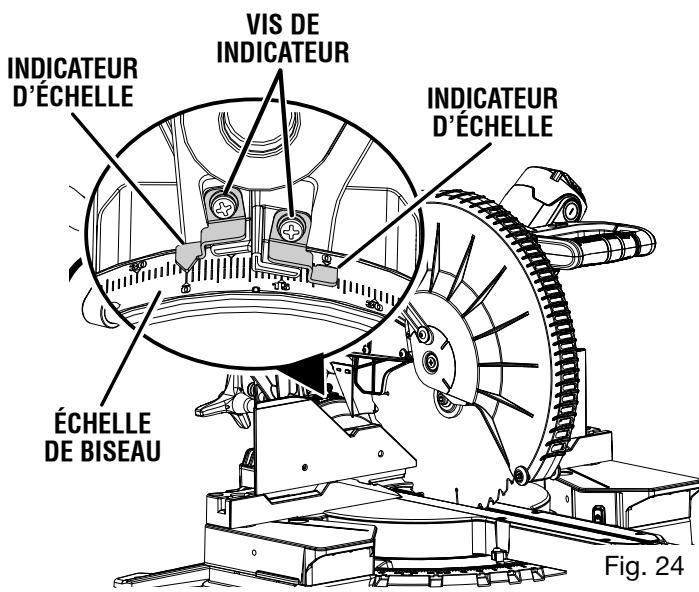
Fig. 23

# ASSEMBLAGE

## ÉQUERRAGE DE LA LAME PAR RAPPORT À LA TABLE À ONGLETS

Voir les figures 25 - 29.

- Débrancher la scie.
- Glisser la tête de la scie complètement vers l'arrière et serrer fermement le bouton de verrouillage de coulissement.
- Abaisser complètement le bras de la scie vers le bas et verrouiller en position de transport.
- Soulever le levier de verrouillage d'onglet pour déverrouiller la table d'onglets.
- Appuyer à moitié sur le contournement du cran des onglets et tourner le bras de contrôle jusqu'à ce que le pointeur de l'échelle des onglets indique 0°.



- Relâcher la détente de contournement d'onglet et laisser la table d'onglets se positionner sur la position de détente de 0°.
- Abaisser le levier de verrouillage d'onglet pour verrouiller la table d'onglets.

- Desserrer le bouton de verrouillage en biseau et désengagez le levier de détente en biseau.

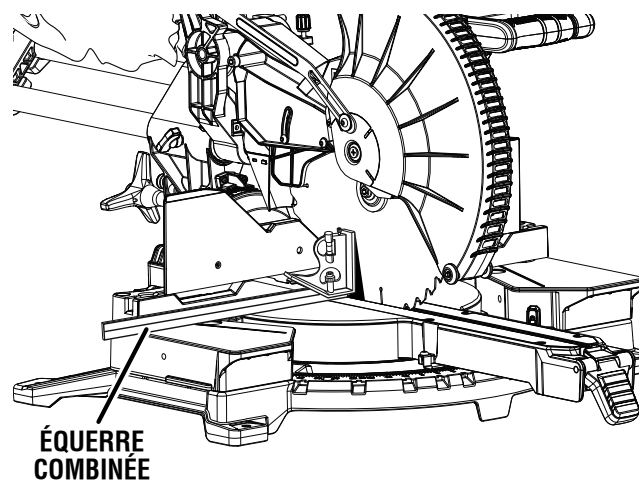
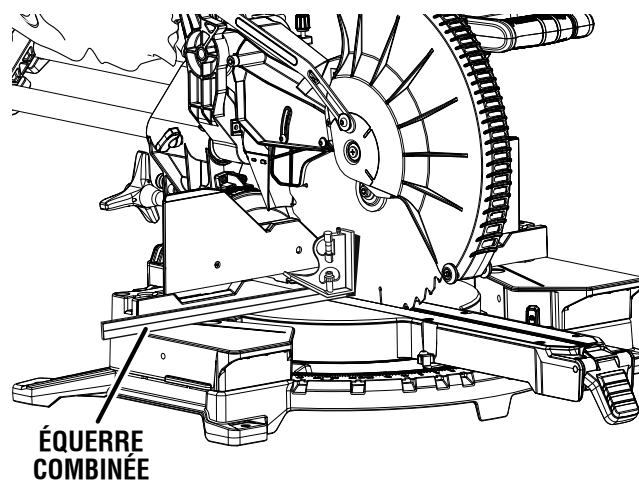
**NOTE :** Saisir fermement la poignée « D » tout en desserrant le bouton de verrouillage des angles pour empêcher la tête de la scie de se déplacer soudainement.

- Réglez la scie à un angle de biseau de 0 degré, engagez le levier de détente en biseau et s'assurer que la scie s'engage dans la détente.

- Serrer le bouton de verrouillage du biseau.

- Placer une équerre combinée contre la table d'onglets et la partie plate de la lame de la scie.

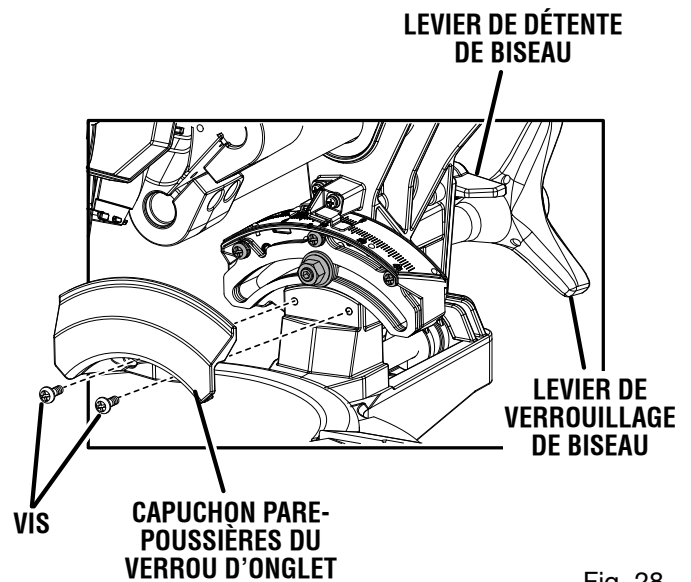
**NOTE :** S'assurer que l'équerre touche la partie plate de la lame de la scie et non les dents.



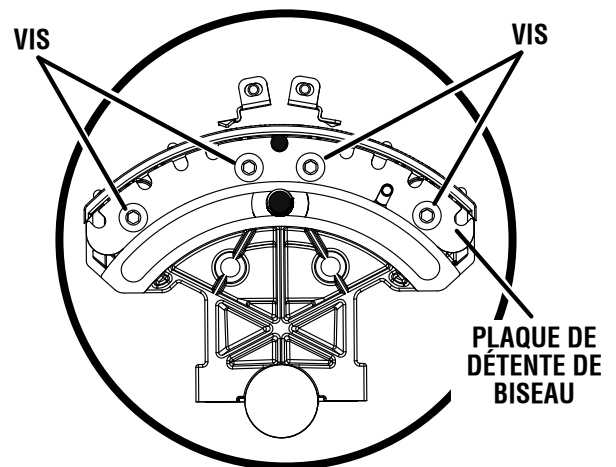
# ASSEMBLAGE

- Tourner manuellement la lame et s'assurer l'alignement de la lame à la table sur plusieurs points.
- Le bord de l'équerre et la lame de la scie doivent être parallèles, comme illustré à la figure 25.
- Des réglages sont requis si les angles supérieurs ou inférieurs de la lame sont éloignés de l'équerre, comme illustré aux figures figures 26 et 27.
- Retirer le capuchon pare-poussière du verrou de biseau.
- Desserrer le bouton de verrouillage en biseau et désengagez le levier de détente en biseau.
- Régler le biseau à un angle permettant d'accéder aux quatre (4) vis situées à l'arrière du support de verrou de biseau.
- Serrer le bouton de verrouillage du biseau.
- Avec une clé hexagonale de 4 mm, dévisser les quatre (4) vis fixant la plaque de détente de biseau en place. Ne pas retirer les vis.
- Desserrer le bouton de verrouillage en biseau et désengagez le levier de détente en biseau.
- Réglez la scie à un angle de biseau de 0 degré, engagez le levier de détente en biseau et s'assurer que la scie s'engage dans la détente.
- S'assurer que l'angle est à 0° en utilisant une équerre combinée.
- Si des réglages sont requis, utiliser une clé hexagonale de 4 mm pour tourner la vis de réglage fin situé devant le support du verrou de biseau pour aligner la lame de la scie avec le tracé perpendiculaire.
- Serrer le bouton de verrouillage du biseau.
- Serrer les deux (2) vis les plus éloignées vers l'extérieur fixant la plaque de détente de biseau.
- Desserrer le bouton de verrouillage en biseau et désengagez le levier de détente en biseau.
- Régler le biseau sur 45°. Serrer le bouton de verrouillage du biseau.
- Serrer les 2 autres vis fixant la plaque de détente de biseau.
- Réinstaller le capuchon pare-poussière du verrou de biseau et serrer fermement les vis. Vérifier à nouveau l'alignement de la lame sur la table.

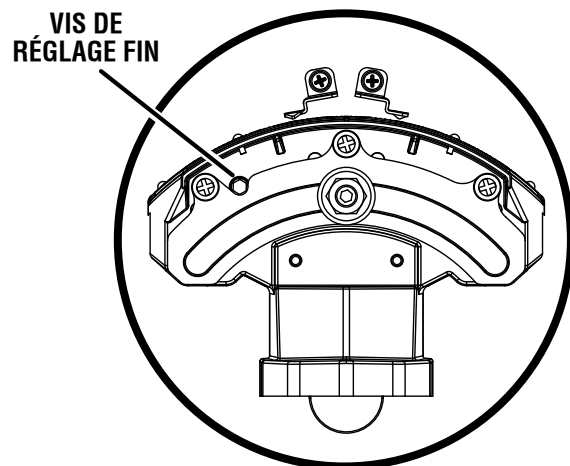
La scie présente plusieurs indicateur d'échelle. Une fois les réglages d'alignement effectués, il peut être nécessaire de desserrer les vis indicateur pour les régler à zéro. Voir les figures 23 et 24.



## SUPPORT ARRIÈRE DU VERROU DE BISEAU



## SUPPORT AVANT DU VERROU DE BISEAU



# UTILISATION

---

---

## AVERTISSEMENT :

Le fait d'être familier avec les outils ne devrait faire oublier la prudence. Une fraction de seconde d'inattention suffit pour entraîner des blessures graves.

---

---

## AVERTISSEMENT :

Toujours porter des lunettes de sécurité munies de protections latérales lors de l'utilisation d'outils, car des objets peuvent être projetés dans les yeux et causer des lésions graves.

---

---

## AVERTISSEMENT :

Ne pas utiliser d'outils ou accessoires non recommandés pour cet outil. L'utilisation de pièces et accessoires non recommandés peut entraîner des blessures graves.

---

## APPLICATIONS

Cet outil doit être utilisé uniquement pour couper du bois ou du plastique comme indiqué ci-dessous :

- Coupe transversale de pièces de bois et de plastique (ne pas couper de métaux, céramiques ou produits de maçonnerie)
- Coupe d'onglets, joints, etc., pour cadres, moulures, encadrements de portes et menuiserie fine
- Coupe en biseau et coupe composée
- Coupe transversale de larges pièces

**NOTE :** La lame fournie convient à la plupart des opérations de coupe de bois, toutefois, pour les travaux de menuiserie fine et la coupe de matières plastiques, utiliser l'une des lames accessoires en vente dans les magasins RIDGID®.

---

---

## AVERTISSEMENT :

Avant d'entreprendre toute opération de coupe, assujettir ou boulonner la scie à onglets sur le plan de travail. Ne jamais utiliser la scie à onglets sur le sol ou en se tenant accroupi. Le non-respect de cet avertissement peut entraîner des blessures graves.

---

---

## AVERTISSEMENT :

Pour éviter des blessures, toujours abaisser le levier de verrouillage d'onglet et bouton de verrouillage de biseau avant d'effectuer une coupe. Si cette précaution n'est pas prise, le bras de commande et la table risquent de se déplacer pendant la coupe.

---

---

## AVERTISSEMENT :

Pour éviter des blessures graves, toujours garder les mains hors de la zone dangereuse, c'est-à-dire à au moins 100 mm (4 po) de la lame. Ne jamais effectuer de coupes à main levée (c.-à-d. sans maintenir la pièce contre le guide). La lame pourrait se coincer dans la pièce si celle-ci glisse ou tourne.

---

---

## AVERTISSEMENT :

Ne pas mettre la scie en marche sans s'être assuré de l'absence d'interférence entre la lame et le guide d'onglets. La lame pourrait être endommagée si elle entrait en contact avec le guide d'onglets pendant le fonctionnement.

---

# UTILISATION

## TRAVAUX DE COUPE AVEC LA SCIE À ONGLETS COMPOSÉS

### **⚠ AVERTISSEMENT :**

Si un serre-joint ou une bride de serrage de pièce est utilisé pour maintenir la pièce, celui-ci ne doit être placé que d'un côté de la lame. La pièce doit être libre d'un côté de la lame pour empêcher cette dernière de la bloquer. Un pincement de la lame dans la pièce causerait le calage du moteur et un rebond. Le blocage de la lame peut entraîner des blessures graves.

### **⚠ AVERTISSEMENT :**

NE JAMAIS se déplacer l'ajustement de pièce ou marque à n'importe quel angle de coupe pendant que la scie court et la lame tourne. N'importe quelle erreur peut avoir pour résultat le contact avec la lame causant des blessures graves.

### **⚠ AVERTISSEMENT :**

Ne pas couper de pièces étroites au moyen du dispositif de coulissement. Le non-respect de cet avertissement pourrait entraîner des blessures graves.

## SYSTÈME D'ÉCLAIRAGE DEL

Voir la figure 30.

### **⚠ AVERTISSEMENT :**

Ne pas fixer le faisceau (même à bonne distance). Le fait de fixer le faisceau peut causer des blessures graves et même entraîner la perte de la vue.

Le système d'éclairage DEL reflète l'ombre des dents de la scie sur la pièce à travailler. Ceci pour permettre une précision accrue des coupes sans réglage.

Mettre l'interrupteur DEL en position de marche pour pouvoir utiliser cette caractéristique.

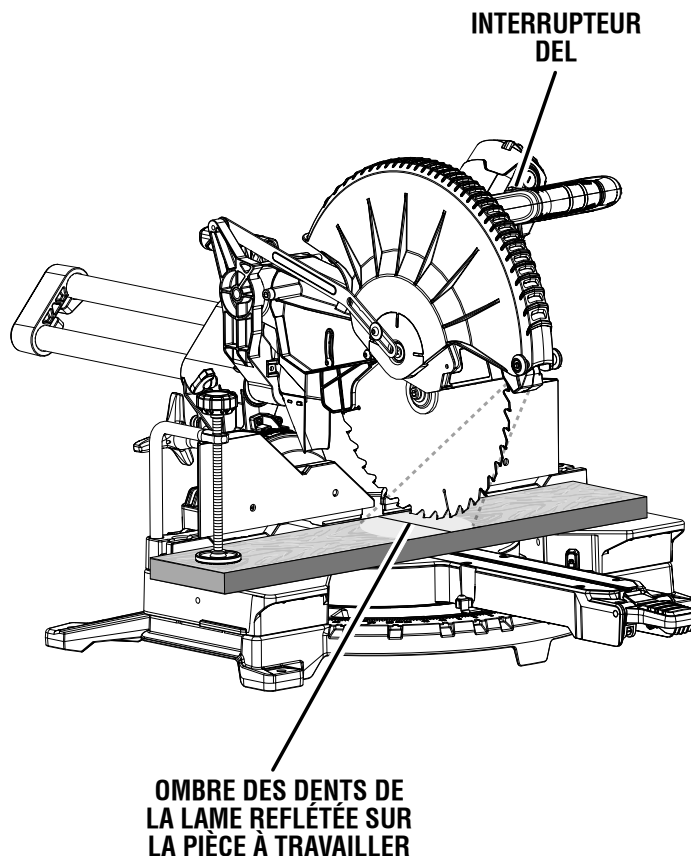


Fig. 30

Abaissier le bras de la scie de manière à ce que la lame se trouve à environ 6,3 mm (1/4 po) de la pièce à travailler. L'ombre de la lame sera reflétée sur la pièce à travailler pour indiquer l'endroit où les dents de la lame seront en contact pendant la coupe.

## POUR RÉALISER DES COUPES NON COULISSANTES

### **⚠ AVERTISSEMENT :**

Bien serrer le bouton de verrouillage du coulissement lors de coupes non coulissantes. Si le bouton est mal serré, la tête de la scie peut bouger durant la coupe.



# UTILISATION

## POUR COUPES D'ONGLETS / TRANSVERSALES

Voir les figures 31 et 32.

La coupe est effectuée en travers du grain de la pièce de bois. Pour effectuer une coupe transversale droite, la table à onglet doit être réglée sur 0°. Les coupes d'onglets sont réalisées en réglant la table sur tout angle autre que 0°.

**NOTE:** Il peut être nécessaire d'ajuster le guide à onglets coulissant pour assurer un bon dégagement avant la coupe.

- Glisser la tête de la scie complètement vers l'arrière et serrer fermement le bouton de verrouillage de coulissement.
- Relever complètement le bras de la scie.
- Soulever le levier de verrouillage d'onglet et appuyer complètement le détente de contournement d'onglet.
- Tourner le bras de commande de manière à aligner le pointeur sur la graduation correspondant à l'angle désiré.

**NOTE :** Il est possible de repérer rapidement 0°, 15°, 22,5°, 31,6°, 45°, 60° et 67,5° à gauche ou à droite, en appuyant à moitié sur le bouton de contournement du cran des onglets lorsque le bras de contrôle tourne. Le bras de contrôle se positionnera dans l'un des arrêts indexés se trouvant sur la base de la table à onglets.

- Abaisser le levier de verrouillage d'onglet pour verrouiller la table d'onglets.
- Placer la pièce à couper à plat sur la table à onglet, l'un de ses bords solidement appuyé contre le guide. Si la planche est voilée, placer le côté convexe contre le guide. Si le bord concave d'une pièce est placé contre le guide, la pièce peut se refermer sur la lame en fin de coupe et la bloquer. Voir les figures 51 et 52.
- Lors de la coupe de planches ou de moulures longues, soutenir l'extrémité libre de la pièce avec un chevalet à rouleau ou un plan de travail se trouvant au même niveau que la scie. Voir la figure 39.
- Mettre l'interrupteur DEL en position de marche.
- Abaisser la lame et aligner la ligne de coupe sur la pièce avec le bord de la lame de scie ou l'ombre de la lame.
- Saisir fermement la pièce d'une main et la caler contre le guide. Dans la mesure du possible, utiliser la bride de serrage de pièce, un serre-joint ou ou autre pince adaptée pour maintenir la pièce.
- Avant de mettre la scie en marche, effectuer un essai à vide, afin de s'assurer qu'aucun problème ne se présentera lorsque la coupe est effectuée.

## COUPE TRANSVERSALE

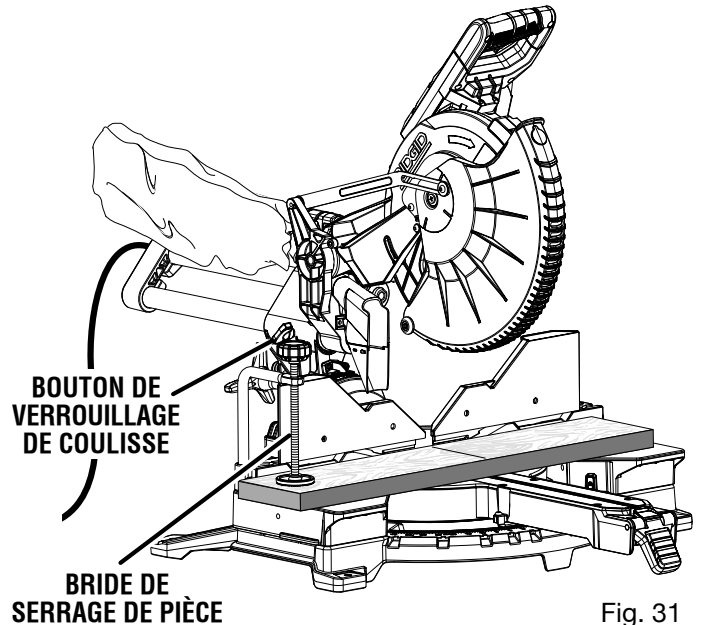


Fig. 31

## COUPE D'ONGLET

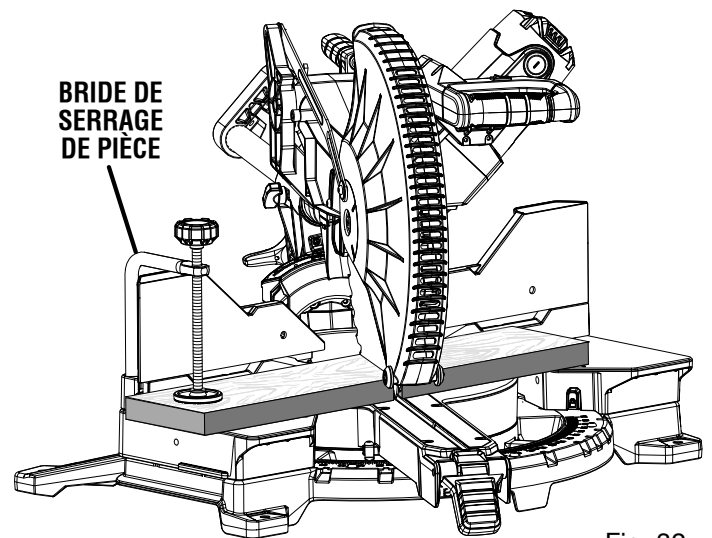


Fig. 32

- Saisir fermement le manche de la scie. Enfoncer le levier de verrouillage et appuyer sur la gâchette. Attendre quelques secondes que la lame atteigne sa vitesse de rotation maximale.
- Abaisser lentement la lame sur la pièce.
- Relâcher la gâchette et attendre l'arrêt complet de la lame avant de la relever de la pièce et de retirer la pièce de la table à onglet.

# UTILISATION

## POUR FAIRE DES COUPES D'ONGLET LONGUES

Voir les figures 33 - 35.

La capacité d'onglet long de la scie permet de faire des coupes d'onglet jusqu'à 70°. Avec les rallonges de table d'onglet, vous pourrez faire des coupes d'onglet de 22,5° pour obtenir des coins de 45° précis.

La rotation des rallonges de table se règle sur trois (3) positions, selon le type de coupe à effectuer.

Utiliser les rallonges de table pour faire des coupes d'onglet de plus de 45°.

- Glisser la tête de la scie complètement vers l'arrière et serrer fermement le bouton de verrouillage de coulissement.
- Relever complètement le bras de la scie.
- Glisser le guide longitudinal du côté opposé de la coupe à effectuer. Ceci assure que le support de verrou de biseau ne frappe pas contre le guide longitudinal lors du réglage de la lame pour les coupes d'onglet longues.
- Pour tourner les rallonges de table vers l'extérieur, appuyer sur le bouton de verrouillage de la table et sélectionner l'une des positions pré-réglées.
- Relâcher le bouton de verrouillage de la table et déplacer la table jusqu'à ce qu'elle se verrouille en place.
- Soulever le levier de verrouillage d'onglet et appuyer complètement le détente de contournement d'onglet.
- Tourner le bras de commande de manière à aligner le pointeur sur la graduation correspondant à l'angle désiré.

**NOTE :** Il est possible de repérer rapidement 0°, 15°, 22,5°, 31,6°, 45°, 60° et 67,5° à gauche ou à droite, en appuyant à moitié sur le bouton de contournement du cran des onglets lorsque le bras de contrôle tourne. Le bras de contrôle se positionnera dans l'un des arrêts indexés se trouvant sur la base de la table à onglets.

- Abaisser le levier de verrouillage d'onglet pour verrouiller la table d'onglets.
- Mettre l'interrupteur DEL en position de marche.
- Abaisser la lame et aligner la ligne de coupe sur la pièce avec le bord de la lame de scie ou l'ombre de la lame.
- Saisir fermement la pièce d'une main et la caler contre le guide. Dans la mesure du possible, utiliser la bride de serrage de pièce, un serre-joint ou autre pince adaptée pour maintenir la pièce.

### **⚠ AVERTISSEMENT :**

Pour des coupes d'onglet longues, installer une bride sur la partie large de l'onglet de la table. Claveter ou tenir la pièce à travailler sur la petite partie de l'angle d'onglet de la table sans placer la main trop près de la lame pour éviter les blessures graves.

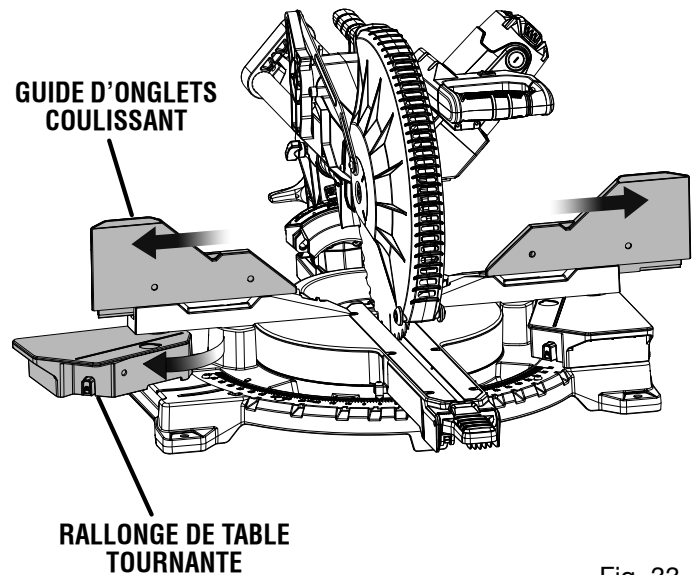


Fig. 33

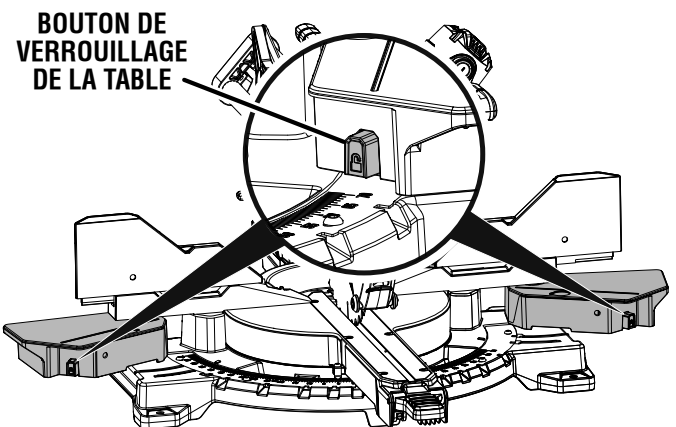


Fig. 34

## COUPE D'ONGLET LONGUE

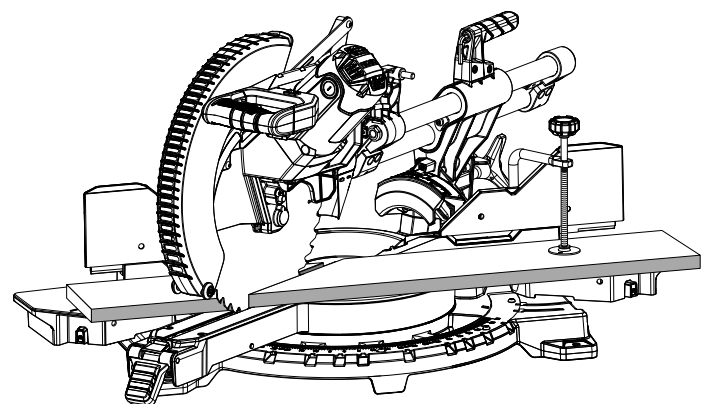


Fig. 35

# UTILISATION

- Avant de mettre la scie en marche, effectuer un essai à vide, afin de s'assurer qu'aucun problème ne se présentera lorsque la coupe est effectuée.
- Saisir fermement le manche de la scie. Enfoncer le levier de verrouillage et appuyer sur la gâchette. Attendre quelques secondes que la lame atteigne sa vitesse de rotation maximale.
- Abaisser lentement la lame sur et au travers du bord avant de la pièce.
- Relâcher la gâchette et attendre l'arrêt complet de la lame avant de la relever de la pièce et de retirer la pièce de la table à onglet.

## COUPE EN BISEAU

Voir les figures 36 et 37.

Une coupe en biseau est réalisée en travers du grain de la pièce, avec la lame en biais. Pour effectuer une coupe en biseau droite, la table à onglets doit être réglée sur 0° et la lame entre 0° et 48°.

**NOTE:** Il peut être nécessaire d'ajuster ou de retirer le guide coulissant pour assurer un dégagement suffisant avant d'effectuer la coupe.

- Glisser la tête de la scie complètement vers l'arrière et serrer fermement le bouton de verrouillage de coulissement.
- Relever complètement le bras de la scie.
- Soulever le levier de verrouillage d'onglet et appuyer sur la détente de contournement d'onglet. Régler la table d'onglets à zéro.
- Abaisser le levier de verrouillage d'onglet pour verrouiller la table d'onglets.
- Desserrer le bouton de réglage de biseau.

**NOTE:** Saisir fermement la poignée «D» tout en desserrant le bouton de verrouillage des angles pour empêcher la tête de la scie de se déplacer soudainement.

- Déplacez le levier de verrouillage en biseau en position de déverrouillage (avec la détente engagée) pour sélectionner un des réglages d'angle de biseau prédéfini ou placez le levier de verrouillage en biseau en position de déverrouillage (avec la détente désengagée) pour sélectionner le réglage de votre choix.

**NOTE:** Les angles de positions indexées de biseau sont de 0°, 15°, 22,5°, 33,9° et 45°, vers la gauche ou la droite.

- Serrer le bouton de verrouillage du biseau.
- Placer la pièce à couper à plat sur la table à onglet, l'un de ses bords solidement appuyé contre le guide. Si la planche est voilée, placer le côté convexe contre le guide. Si le bord concave d'une pièce est placé contre le guide, la pièce peut se refermer sur la lame en fin de coupe et la bloquer. Voir les figures 51 et 52.
- Lors de la coupe de planches ou de moulures longues, soutenir l'extrémité libre de la pièce avec un chevalet à

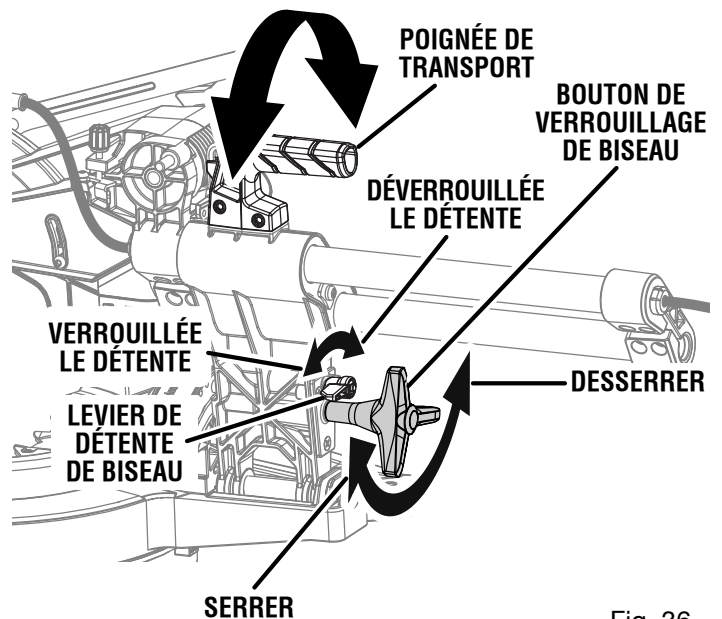


Fig. 36

## COUPE EN BISEAU

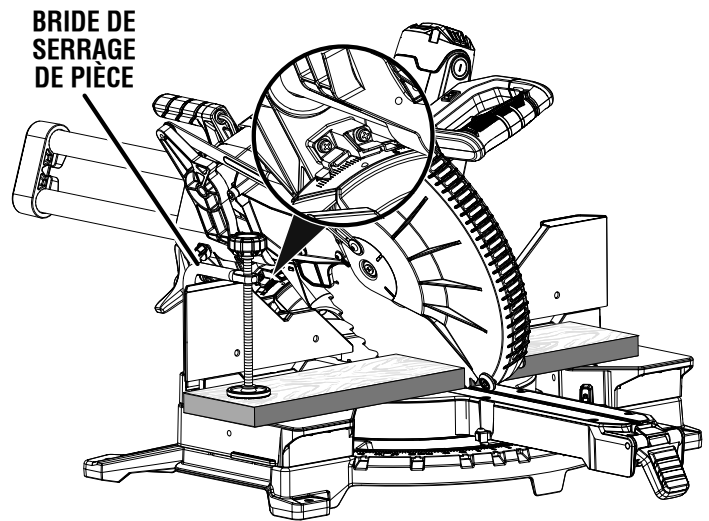


Fig. 37

rouleau ou un plan de travail se trouvant au même niveau que la scie. Voir la figure 39.

- Mettre l'interrupteur DEL en position de marche.
- Abaisser la lame et aligner la ligne de coupe sur la pièce avec le bord de la lame de scie ou l'ombre de la lame.
- Saisir fermement la pièce d'une main et la caler contre le guide. Dans la mesure du possible, utiliser la bride de serrage de pièce, un serre-joint ou autre pince adaptée pour maintenir la pièce.
- Avant de mettre la scie en marche, effectuer un essai à vide, afin de s'assurer qu'aucun problème ne se présentera lorsque la coupe est effectuée.
- Saisir fermement le manche de la scie. Enfoncer le levier de verrouillage et appuyer sur la gâchette. Attendre

# UTILISATION

quelques secondes que la lame atteigne sa vitesse de rotation maximale.

- Abaisser lentement la lame sur la pièce.
- Relâcher la gâchette et attendre l'arrêt complet de la lame avant de la relever de la pièce et de retirer la pièce de la table à onglet.

## COUPE D'ONGLET COMPOSÉ

Voir la figure 38.

Une coupe d'onglet composé revient à utiliser un angle d'onglet et un angle de biseau simultanément pendant la coupe. Ce type de coupe est utilisé pour la réalisation de cadres, de boîtes à pans inclinés et certains travaux de charpente.

Pour effectuer ce type de coupe, le bras de commande de la table doit être réglé sur l'angle d'onglet désiré et la scie doit être inclinée sur l'angle de biseau correct. Toujours effectuer avec soin les réglages d'angles combinés en raison de l'interaction des deux réglages d'angle.

Les réglages d'angles d'onglet et de biseau sont interdépendants. Tout changement de l'angle d'onglet affecte le réglage de l'angle de biseau. De même, tout changement de l'angle de biseau affecte le réglage de l'angle d'onglet.

Plusieurs réglages peuvent s'avérer nécessaires pour obtenir la coupe désirée. Le premier réglage d'angle doit être vérifié après avoir effectué le second, étant donné que ce second réglage affecte le premier.

Une fois les réglages corrects obtenus pour une coupe désirée, toujours effectuer une coupe d'essai sur une chute avant de couper la pièce définitive.

**NOTE :** Il peut être nécessaire d'ajuster ou de retirer le guide coulissant pour assurer un dégagement suffisant avant d'effectuer la coupe.

- Glisser la tête de la scie complètement vers l'arrière et serrer fermement le bouton de verrouillage de coulissement.
- Relever complètement le bras de la scie.
- Soulever le levier de verrouillage d'onglet et appuyer complètement le détente de contournement d'onglet.
- Tourner le bras de contrôle jusqu'à ce que le pointeur s'aligne sur l'angle souhaité de l'échelle des onglets.

**NOTE :** Il est possible de repérer rapidement 0°, 15°, 22,5°, 31,6°, 45°, 60° et 67,5° à gauche ou à droite, en appuyant à moitié sur le bouton de contournement du cran des onglets lorsque le bras de contrôle tourne. Le bras de contrôle se positionnera dans l'un des arrêts indexés se trouvant sur la base de la table à onglets.

- Abaisser le levier de verrouillage d'onglet pour verrouiller la table d'onglets.
- Desserrer le bouton de réglage de biseau.

**NOTE :** Saisir fermement la poignée «D» tout en desserrant le bouton de verrouillage des angles pour empêcher la tête de la scie de se déplacer soudainement.

## COUPE D'ONGLET COMPOSÉ

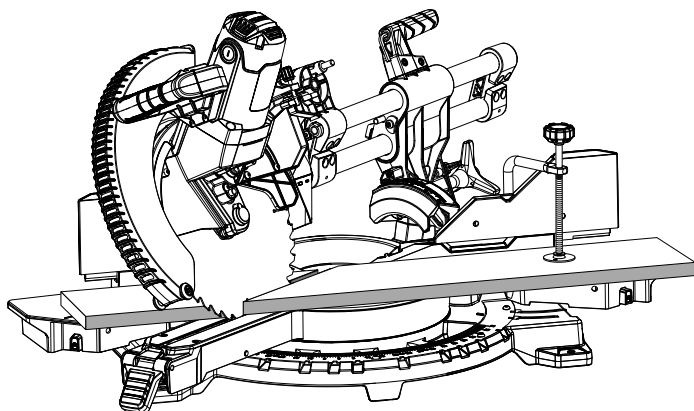


Fig. 38

- Déplacez le levier de verrouillage en biseau en position de déverrouillage (avec la détente engagée) pour sélectionner un des réglages d'angle de biseau prédéfini ou placez le levier de verrouillage en biseau en position de déverrouillage (avec la détente désengagée) pour sélectionner le réglage de votre choix.

**NOTE :** Les angles de positions indexées de biseau sont de 0°, 15°, 22,5°, 33,9° et 45°, vers la gauche ou la droite.

- Serrer le bouton de verrouillage du biseau.
- Placer la pièce à couper à plat sur la table à onglet, l'un de ses bords solidement appuyé contre le guide. Si la planche est voilée, placer le côté convexe contre le guide. Si le bord concave d'une pièce est placé contre le guide, la pièce peut se refermer sur la lame en fin de coupe et la bloquer. Voir les figures 51 et 52.
- Lors de la coupe de planches ou de moulures longues, soutenir l'extrémité libre de la pièce avec un chevalet à rouleau ou un plan de travail se trouvant au même niveau que la scie. Voir la figure 39.
- Mettre l'interrupteur DEL en position de marche.
- Abaisser la lame et aligner la ligne de coupe sur la pièce avec le bord de la lame de scie ou l'ombre de la lame.
- Saisir fermement la pièce d'une main et la caler contre le guide. Dans la mesure du possible, utiliser la bride de serrage de pièce, un serre-joint ou autre pince adaptée pour maintenir la pièce.
- Avant de mettre la scie en marche, effectuer un essai à vide, afin de s'assurer qu'aucun problème ne se présentera lorsque la coupe est effectuée.
- Saisir fermement le manche de la scie. Enfoncer le levier de verrouillage et appuyer sur la gâchette. Attendre quelques secondes que la lame atteigne sa vitesse de rotation maximale.
- Abaisser lentement la lame sur la pièce.
- Relâcher la gâchette et attendre l'arrêt complet de la lame avant de la relever de la pièce et de retirer la pièce de la table à onglet.

# UTILISATION

## SUPPORT DE PIÈCES LONGUES

Voir les figures 39 et 40.

Les pièces longues nécessitent un support additionnel. Les supports, un support à roulement, ou une surface de travail de niveau avec la table de la scie doivent être placés sous la pièce, de manière à ce qu'elle ne fléchisse pas. Les supports doivent permettre à la pièce de reposer à plat sur la base de la scie et la table pendant la coupe. Dans la mesure du possible, utiliser bride de serrage de pièce, serre-joint ou autre pince adaptée pour maintenir la pièce.

**NOTE :** Pour une coupe à onglets combinés comme illustré à la figure 40, il peut être nécessaire de régler ou de retirer le guide coulissant pour assurer un dégagement suffisant avant d'effectuer la coupe.

### AVERTISSEMENT :

Ne jamais couper en tirant la scie vers soi car la lame pourrait grimper sur le haut de la pièce et se déplacer vers l'opérateur. Le non-respect de cet avertissement pourrait entraîner des blessures graves.

## COUPE À COULISSEMENT

Voir les figures 41 - 42.

La fonction de coulissement coupe des pièces de 355,6 mm (14 po) de large par 114,3 mm (4-1/2 po) d'épaisseur et 406,4 mm (16 po) by 38,1 mm (1-1/2 po).

Avec la scie à l'arrêt, tirer le bras de la scie vers l'avant. Mettre la scie en marche (laisser la lame atteindre la vitesse maximum) puis pousser la lame vers le bas sur la pièce à travailler puis vers l'arrière de la scie pour faire la coupe. Les coupes peuvent être réalisées en poussant la lame de la scie

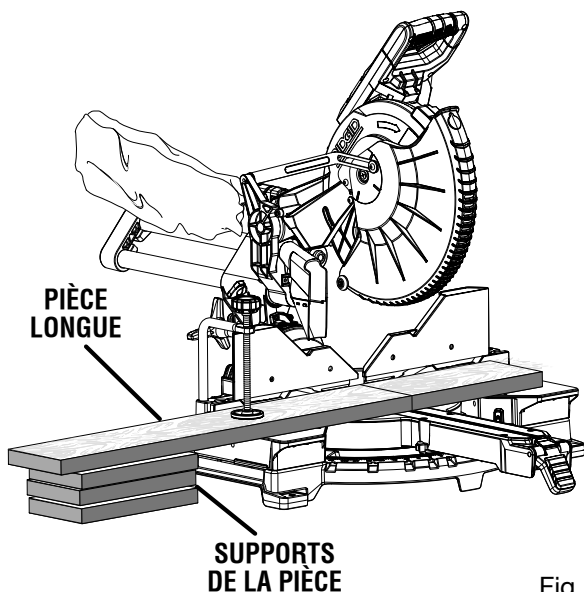
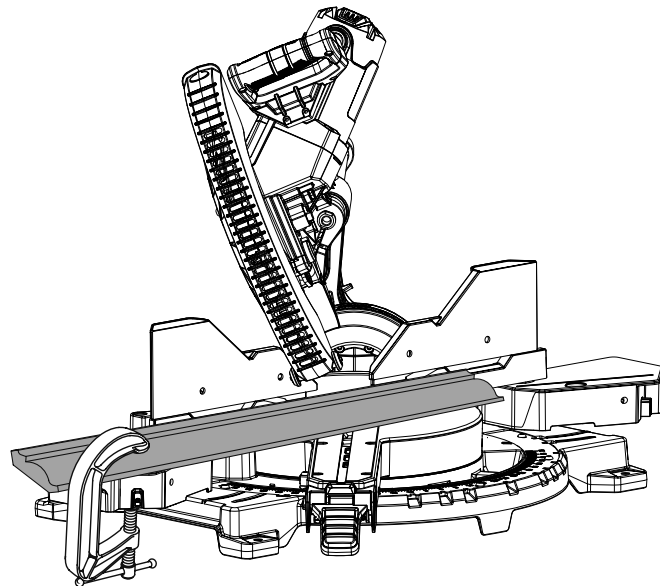


Fig. 39

à l'écart de soi et vers le rapporteur de biseau à l'arrière de la scie et en s'arrêtant lorsque la position arrière complète a été atteinte après chaque coupe. Lorsque la scie est en marche, **NE JAMAIS** tirer la lame de la scie vers soi ou vers l'avant de la scie.



COUPE D'ONGLET COMPOSÉ 45° X 45°

**NOTE :** NE PAS INSTALLER DE BRIDES SUR AUCUNE PIÈCE MOBILE DE LA SCIE.

Fig. 40

## COUPE À COULISSEMENT

BOUTON DE VERROUILLAGE DE COULISSE

GLISSER LE BRAS DE LA SCIE VERS L'AVANT PUIS VERS LE BAS

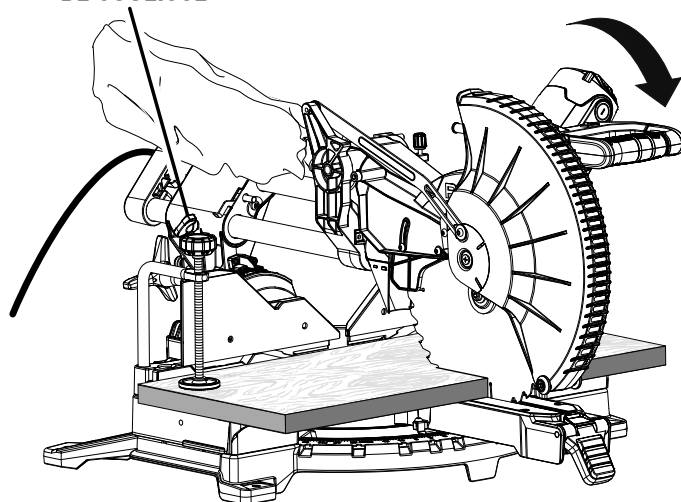


Fig. 41

# UTILISATION

- Relever complètement le bras de la scie.
- Placer la pièce à couper à plat sur la table à onglet, l'un de ses bords solidement appuyé contre le guide. Si la planche est voilée, placer le côté convexe contre le guide. Si le bord concave d'une pièce est placé contre le guide, la pièce peut se refermer sur la lame en fin de coupe et la bloquer. *Voir les figures 51 et 52.*
- Lors de la coupe de planches ou de moulures longues, soutenir l'extrémité libre de la pièce avec un chevalet à rouleau ou un plan de travail se trouvant au même niveau que la scie. *Voir la figure 39.*
- Mettre l'interrupteur DEL en position de marche.
- Abaisser la lame et aligner la ligne de coupe sur la pièce avec le bord de la lame de scie ou l'ombre de la lame.
- Desserrer le bouton de verrouillage de coulissement en le tournant dans le sens inverse des aiguilles d'une montre.
- Saisir fermement la pièce d'une main et la caler contre le guide. Dans la mesure du possible, utiliser la bride de serrage de pièce, un serre-joint ou autre pince adaptée pour maintenir la pièce.
- Avant de mettre la scie en marche, effectuer un essai à vide, afin de s'assurer qu'aucun problème ne se présentera lorsque la coupe est effectuée.
- Avec la scie à l'arrêt, saisir fermement la poignée de la scie et tirer la scie vers l'avant jusqu'à ce que l'arbre de la lame (centre de la lame de la scie) soit au-delà de l'avant de la pièce à travailler ou jusqu'à ce que la scie soit complètement déployée.
- Saisir fermement le manche de la scie. Enfoncer le levier de verrouillage et appuyer sur la gâchette. Attendre quelques secondes que la lame atteigne sa vitesse de rotation maximale.
- Abaisser lentement la lame sur et au travers du bord avant de la pièce.
- Pousser la poignée de la scie à l'écart de soi et vers le rapporteur de biseau à l'arrière de la scie.
- Relâcher la gâchette et attendre l'arrêt complet de la lame avant de la relever de la pièce et de retirer la pièce de la table à onglet.

## COMMENT FABRIQUER UNE GUIDE AUXILIAIRE

*Voir la figure 43.*

Selon la taille et la position de la pièce à travailler, certaines coupes inhabituelles peuvent bénéficier d'un soutien supplémentaire fourni par un guide auxiliaire. Les trous fournis dans le guide d'onglets coulissant de la scie à onglets sont utilisés pour fixer le guide auxiliaire en place.

**NOTE :** Le guide auxiliaire ne peut être utilisé que lorsque le biseau est réglé à 0°. Lorsqu'une coupe biseautée est effectuée, le guide auxiliaire **DOIT** être retiré.

**NOTE :** Il peut être nécessaire d'ajuster le guide à onglets coulissant pour assurer un bon dégagement avant l'installation d'un autre guide.

### Pour fixer le guide auxiliaire à la scie :

- S'assurer que le bouton de verrouillage du guide est bien serré.
- Placer un morceau de bois de 254 mm (10 po) contre le guide d'onglets en l'alignant avec le bord gauche de la table d'onglets.
- Bien serrer le bois contre le guide avec des pinces et y insérer des vis à bois à partir de l'arrière du guide dans les deux trous et dans le guide auxiliaire. Au besoin, percer un trou dans le bois avant d'insérer les vis pour éviter que le bois fende. Retirer les pinces.

### COUPE À COULISEMENT

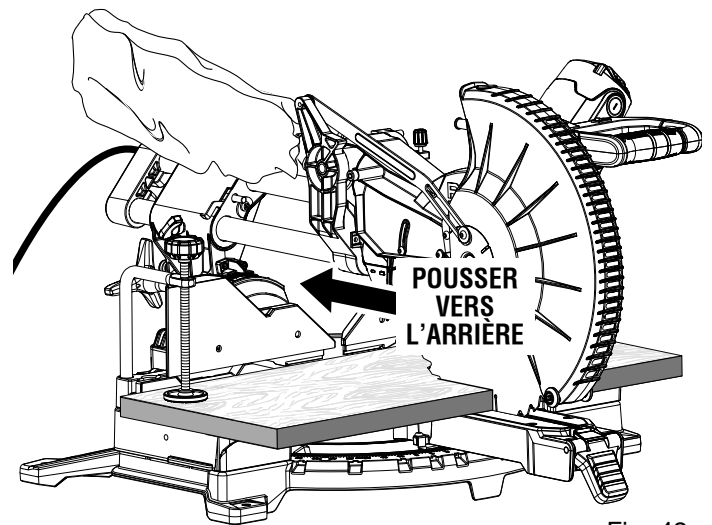


Fig. 42

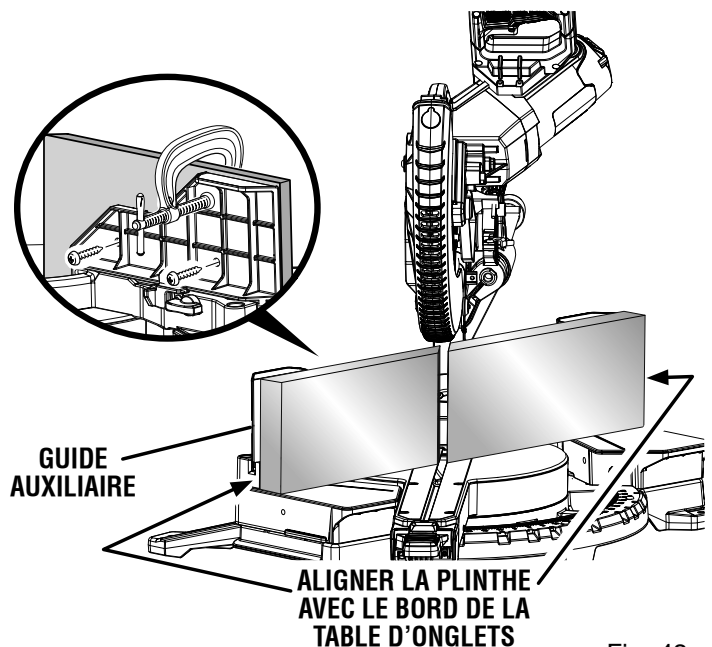


Fig. 43

# UTILISATION

**NOTE :** S'assurer que les vis utilisées pour fixer le guide auxiliaire ne passent pas à travers la face avant du guide et que les vis ne se retrouveront pas sur la trajectoire de la lame à cause de leur longueur, dans quelque angle que ce soit.

- Faire une coupe entière à gauche à l'aide du guide auxiliaire.

**NOTE :** Vérifier qu'il n'y a pas d'interférence entre le guide auxiliaire et la protection de lame inférieure. Corriger toute interférence avant de continuer.

- Répéter les étapes avec une deuxième plinthe en l'alignant avec le côté droit de la table d'onglets et en faisant une coupe entière à droite à l'aide du guide auxiliaire.

## COUPE GROSSIÈRE D'UNE RAINURE

Voir les figures 44 et 45.

Avec un burin à bois et le guide de profondeur, il est possible d'effectuer une rainure grossière. Toujours faire un test de coupe sur une retaille.

### Pour utiliser le guide de profondeur :

- Débrancher la scie.
- Tourner la butée de profondeur vers l'extérieur.
- Avec l'extrémité du bouton de commande de profondeur touchant l'arrêt butée de profondeur, ajuster le bouton de commande de profondeur en tournant le bouton jusqu'à ce que la profondeur désirée de coupe est atteinte.
- Une entretoise en bois peut être placée entre la pièce à travailler et le guide longitudinal pour créer un espace de 63,5 mm (2 1/2 po) entre la pièce à travailler et le guide longitudinal afin d'obtenir une profondeur de coupe uniforme de la pièce à travailler. Utiliser le serre-joint pour immobiliser l'entretoise et une autre bride de serrage adaptée pour immobiliser la pièce à travailler.
- Tourner la butée de profondeur intérieur pour effectuer des coupes complètes.

**NOTE :** La butée de profondeur doit être poussée vers le logement du moteur avant de verrouiller ou déverrouiller le bras de la scie.

### Pour effectuer la coupe :

- Déverrouiller le bouton de verrouillage du coulissement.
- Relever complètement le bras de la scie.
- Avec la scie à l'arrêt, tirer le bras de la scie vers l'avant. Mettre la scie en marche (laisser la lame atteindre sa

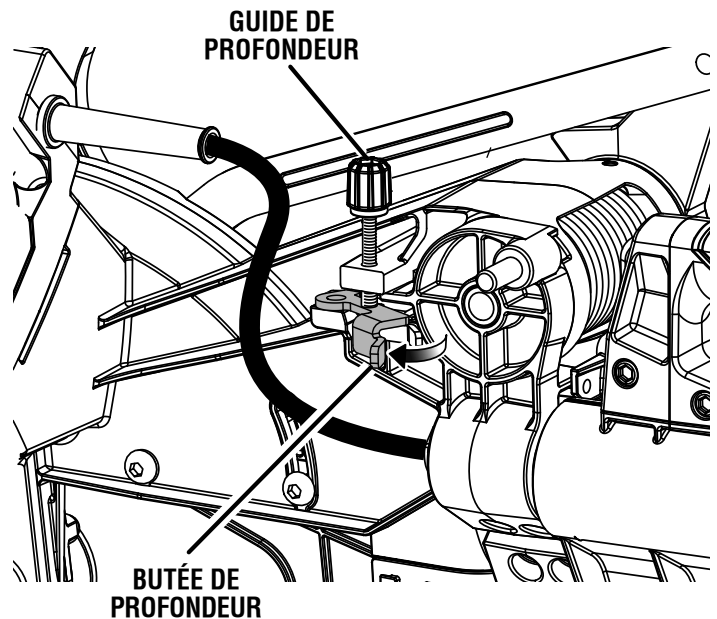


Fig. 44

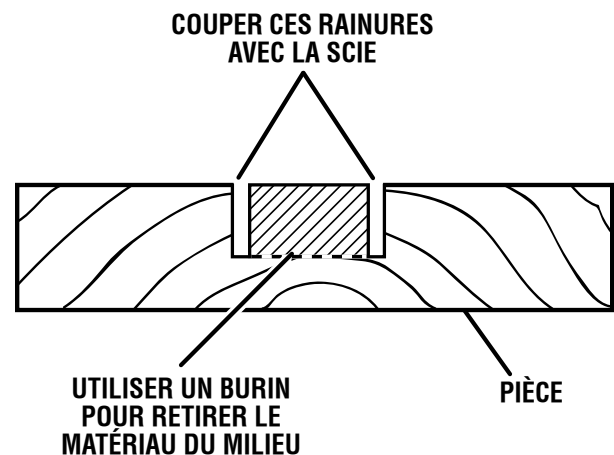


Fig. 45

vitesse maximale) puis pousser la lame vers le bas sur la pièce puis vers l'arrière de la scie pour faire la coupe. Voir les figures 41 et 42.

- Couper deux rainures extérieures dans la pièce.
- Avec un burin à bois, retirer le matériau entre les deux rainures extérieures.

# UTILISATION

## COUPE D'ONGLETS COMPOSÉS

Le tableau des réglages d'angles ci-dessous est conçu pour faciliter les réglages. Les coupes composées étant les plus difficiles à réaliser, des essais doivent être effectués sur des chutes et la coupe définitive ne doit être effectuée qu'après mûre réflexion et planification.

ANGLE DE CÔTÉ	NOMBRE DE CÔTÉS						
	4	5	6	7	8	9	10
0°	M- 45,00° B- 0,00°	M- 36,00° B- 0,00°	M- 30,00° B- 0,00°	M- 25,71° B- 0,00°	M- 22,50° B- 0,00°	M- 20,00° B- 0,00°	M- 18,00° B- 0,00°
5°	M- 44,89° B- 3,53°	M- 35,90° B- 2,94°	M- 29,91° B- 2,50°	M- 25,63° B- 2,17°	M- 22,42° B- 1,91°	M- 19,93° B- 1,71°	M- 17,94° B- 1,54°
10°	M- 44,56° B- 7,05°	M- 35,58° B- 5,86°	M- 29,62° B- 4,98°	M- 25,37° B- 4,32°	M- 22,19° B- 3,81°	M- 19,72° B- 3,40°	M- 17,74° B- 3,08°
15°	M- 44,01° B- 10,55°	M- 35,06° B- 8,75°	M- 29,15° B- 7,44°	M- 24,95° B- 6,45°	M- 21,81° B- 5,68°	M- 19,37° B- 5,08°	M- 17,42° B- 4,59°
20°	M- 43,22° B- 14,00°	M- 34,32° B- 11,60°	M- 28,48° B- 9,85°	M- 24,35° B- 8,53°	M- 21,27° B- 7,52°	M- 18,88° B- 6,72°	M- 16,98° B- 6,07°
25°	M- 42,19° B- 17,39°	M- 33,36° B- 14,38°	M- 27,62° B- 12,20°	M- 23,56° B- 10,57°	M- 20,58° B- 9,31°	M- 18,26° B- 8,31°	M- 16,41° B- 7,50°
30°	M- 40,89° B- 20,70°	M- 32,18° B- 17,09°	M- 26,57° B- 14,48°	M- 22,64° B- 12,53°	M- 19,73° B- 11,03°	M- 17,50° B- 9,85°	M- 15,72° B- 8,89°
35°	M- 39,32° B- 23,93°	M- 30,76° B- 19,70°	M- 25,31° B- 16,67°	M- 21,53° B- 14,41°	M- 18,74° B- 12,68°	M- 16,60° B- 11,31°	M- 14,90° B- 10,21°
40°	M- 37,45° B- 27,03°	M- 29,10° B- 22,20°	M- 23,86° B- 18,75°	M- 20,25° B- 16,19°	M- 17,60° B- 14,24°	M- 15,58° B- 12,70°	M- 13,98° B- 11,46°
45°	M- 35,26° B- 30,00°	M- 27,19° B- 24,56°	M- 22,21° B- 20,70°	M- 18,80° B- 17,87°	M- 16,32° B- 15,70°	M- 14,43° B- 14,00°	M- 12,94° B- 12,62°
50°	M- 32,73° B- 32,80°	M- 25,03° B- 26,76°	M- 20,36° B- 22,52°	M- 17,20° B- 19,41°	M- 14,91° B- 17,05°	M- 13,17° B- 15,19°	M- 11,80° B- 13,69°
55°	M- 29,84° B- 35,40°	M- 22,62° B- 28,78°	M- 18,32° B- 24,18°	M- 15,44° B- 20,82°	M- 13,36° B- 18,27°	M- 11,79° B- 16,27°	M- 10,56° B- 14,66°
60°	M- 26,57° B- 37,76°	M- 19,96° B- 30,60°	M- 16,10° B- 25,66°	M- 13,54° B- 22,07°	M- 11,70° B- 19,35°	M- 10,31° B- 17,23°	M- 9,23° B- 15,52°
65°	M- 22,91° B- 39,86°	M- 17,07° B- 32,19°	M- 13,71° B- 26,95°	M- 11,50° B- 23,16°	M- 9,93° B- 20,29°	M- 8,74° B- 18,06°	M- 7,82° B- 16,26°
70°	M- 18,88° B- 41,64°	M- 13,95° B- 33,53°	M- 11,17° B- 28,02°	M- 9,35° B- 24,06°	M- 8,06° B- 21,08°	M- 7,10° B- 18,75°	M- 6,34° B- 16,88°
75°	M- 14,51° B- 43,08°	M- 10,65° B- 34,59°	M- 8,50° B- 28,88°	M- 7,10° B- 24,78°	M- 6,12° B- 21,69°	M- 5,38° B- 19,29°	M- 4,81° B- 17,37°
80°	M- 9,85° B- 44,14°	M- 7,19° B- 35,37°	M- 5,73° B- 29,50°	M- 4,78° B- 25,30°	M- 4,11° B- 22,14°	M- 3,62° B- 19,68°	M- 3,23° B- 17,72°
85°	M- 4,98° B- 44,78°	M- 3,62° B- 35,84°	M- 2,88° B- 29,87°	M- 2,40° B- 25,61°	M- 2,07° B- 22,41°	M- 1,82° B- 19,92°	M- 1,62° B- 17,93°
90°	M- 0,00° B- 45,00°	M- 0,00° B- 36,00°	M- 0,00° B- 30,00°	M- 0,00° B- 25,71°	M- 0,00° B- 22,50°	M- 0,00° B- 20,00°	M- 0,00° B- 18,00°

Chaque angle B (biseau) et M (onglet) est indiquée au 0,005 ème de degré le plus proche.

### RÉGLAGES D'ANGLES COMPOSÉS POUR LES CONSTRUCTIONS COURANTES



# UTILISATION

## COUPE DE MOULURE COURONNÉE

Cette scie à onglets est idéale pour la coupe de moulures couronnées. En général, les scies à onglets sont préférables à tout autre outil pour la coupe de moulures couronnées.

Pour un ajustage adéquat, les moulures couronnées doivent être coupées avec une précision extrême.

Les deux surfaces de contact d'une section de moulure couronnée se fixant à plat sur le plafond et le mur d'une pièce, à des angles qui, lorsqu'ils sont additionnés, totalisent exactement 90°. La plupart des moulures couronnées présentent un angle supérieur arrière (partie reposant à plat contre le plafond) de 52° et un angle inférieur arrière (partie reposant à plat sur le mur) de 38°.

## POSE DE LA MOULURE À PLAT SUR LA TABLE À ONGLETS

Voir la figure 46.

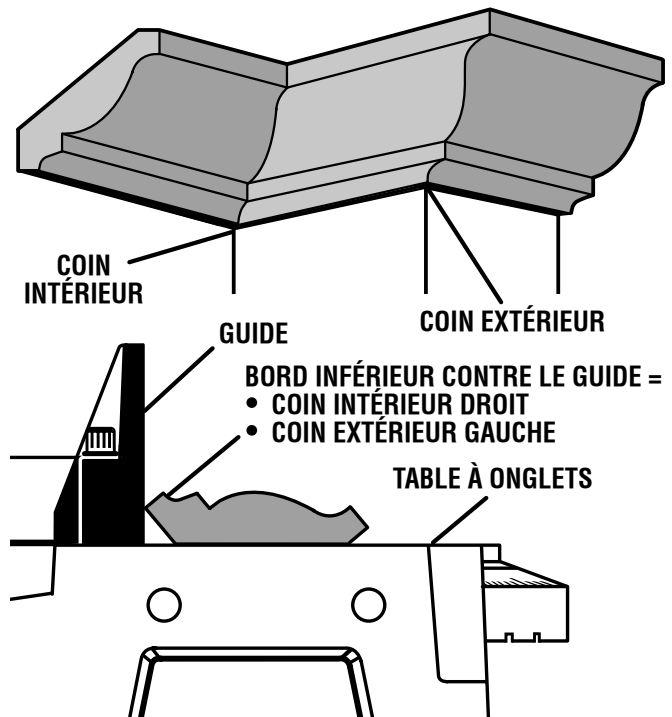
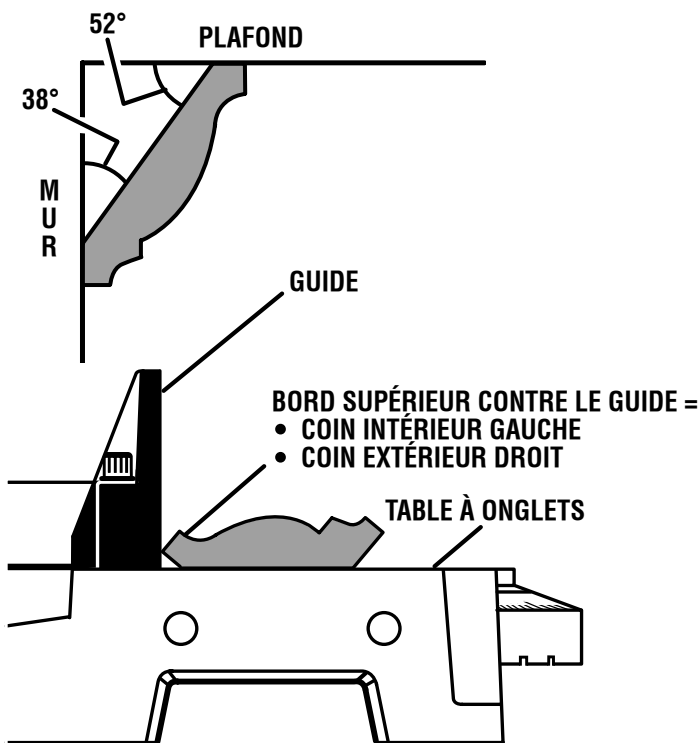
Pour effectuer une coupe à 90° intérieure ou extérieure précise selon cette méthode, poser la moulure avec sa face arrière large à plat sur la table et avec une bordre contre le guide.

Lors du réglage des angles d'onglets et de biseaux pour les onglets combinés, se rappeler que les réglages sont interdépendants : la modification d'un angle modifie également l'autre angle. Se rappeler également que les angles de moulures couronnées doivent être extrêmement précis et qu'ils sont difficiles à obtenir. Étant donné que ces angles peuvent très facilement être faussés, tous les réglages doivent être vérifiés en effectuant une coupe d'essai sur une chute. En outre, la plupart des murs ne présentant pas des angles d'exactly 90°, il est nécessaire d'ajuster les réglages en conséquence.

Lors de la coupe d'une moulure couronnée à l'aide de cette méthode, l'angle de biseau doit être réglé à 33,85°. L'angle d'onglet doit être réglé à 31,6° à droite ou à gauche, suivant le sens de coupe nécessaire pour l'application. Consulter le tableau ci-dessous pour les réglages d'angle et le positionnement corrects de la moulure sur la table.

Les réglages indiqués au tableau ci-dessous peuvent être utilisés pour la coupe de toutes les moulures américaines standard à angles de 52° et 38°. La moulure couronnée est placée à plat sur la table pour utiliser les fonctions de coupe composée de la scie.

Biseau Angle Réglage	Type de coupe
33,85°	Coin intérieur, côté gauche 1. Bord supérieur de la moulure contre le guide 2. Angle d'onglet réglé à droite sur 31,62° 3. Conserver la section gauche de la pièce coupée
33,85°	Coin intérieur, côté droit 1. Bord inférieur de la moulure contre le guide 2. Angle d'onglet réglé à gauche sur 31,62° 3. Conserver la section gauche de la pièce coupée
33,85°	Coin extérieur, côté gauche 1. Bord inférieur de la moulure contre le guide 2. Angle d'onglet réglé à gauche sur 31,62° 3. Conserver la section droite de la pièce coupée
33,85°	Côté droit, coin extérieur 1. Bord supérieur de la moulure contre le guide 2. Angle d'onglet réglé à droite sur 31,62° 3. Conserver la section droite de la pièce coupée



MOULURE COURONNÉE À PLAT SUR LA TABLE À ONGLET

Fig. 46

# UTILISATION

Biseau Angle Réglage	Type de coupe
0°	Coin intérieur, côté gauche 1. Bord supérieur de la moulure contre le guide 2. Angle d'onglet réglé à droite sur 45° 3. Conserver la section gauche de la pièce coupée
0°	Coin intérieur, côté droit 1. Bord inférieur de la moulure contre le guide 2. Angle d'onglet réglé à gauche sur 45° 3. Conserver la section gauche de la pièce coupée
0°	Coin extérieur, côté gauche 1. Bord inférieur de la moulure contre le guide 2. Angle d'onglet réglé à gauche sur 45° 3. Conserver la section droite de la pièce coupée
0°	Côté droit, coin extérieur 1. Bord supérieur de la moulure contre le guide 2. Angle d'onglet réglé à droite sur 45° 3. Conserver la section droite de la pièce coupée

## COUPE DE MOULURE COURONNÉE IMBRIQUÉE AVEC LES BUTÉES DE COURONNE

(Les butées pour couronne sont des accessoires vendus séparément)

Voir la figure 47.

Les butées de couronne à utiliser comme accessoire peuvent être achetées si la scie en position de coupe pour moulure couronnée est imbriquée.

**NOTE :** Chaque rallonge de table d'onglets est équipée de deux trous. La butée de couronne peut être installée dans l'un ou l'autre des trous pour pouvoir faire le type de coupe désiré.

**Pour fixer les butées de couronne à la rallonge de table :**

- Positionner la butée de couronne sur la rallonge de table.
- Insérer le bouton de verrouillage de butées de couronne fileté dans la longue fente de la butée de couronne et dans le trou « A » et sans le serrer complètement pour permettre le réglage de la butée de couronne.
- Placer le dessus de la moulure couronnée sur la table. Positionner les angles à ressort de manière à ce que le bas de l'angle repose à plat sur la table et que le dessus de l'angle soit affleurant au guide d'onglets.
- Serrer fermement le bouton de verrouillage avant de faire la coupe.

**NOTE:** Le trou « B » est utilisé pour les coupes d'onglet longues lorsque les rallonges de table sont déployées le plus loin possible vers l'extérieur.

## REPOSITIONNEMENT DES GUIDES D'ONGLETS COULISSANTS

Voir la figure 48.

Les guides d'onglets coulissants peuvent être déplacés pour effectuer des coupes d'onglet lorsqu'un support additionnel plus près de la lame de la scie est nécessaire. Ceci est pratique

pour effectuer des coupes d'onglet de 45° pour une moulure couronnée et une plinthe.

**Pour repositionner les guides d'onglets :**

- Débrancher la scie.
- Dévisser le bouton de verrouillage du guide situé à l'arrière de chaque section coulissante du guide.
- Retirer les guides d'onglet coulissants.
- Installer le guide d'onglet coulissant gauche sur le côté droit de l'outil et le guide d'onglet droit sur le côté gauche.
- Réinstaller les guides coulissants de manière à ce qu'ils s'insèrent dans la fente du guide fixe et qu'ils glissent vers l'intérieur jusqu'à ce qu'ils s'arrêtent.
- Serrer fermement le bouton de verrouillage du guide situé à l'arrière de chaque section coulissante du guide.
- Effectuer une coupe à blanc avant de faire toute coupe après avoir repositionné les guides d'onglets coulissants pour s'assurer qu'il n'y a aucune obstruction.

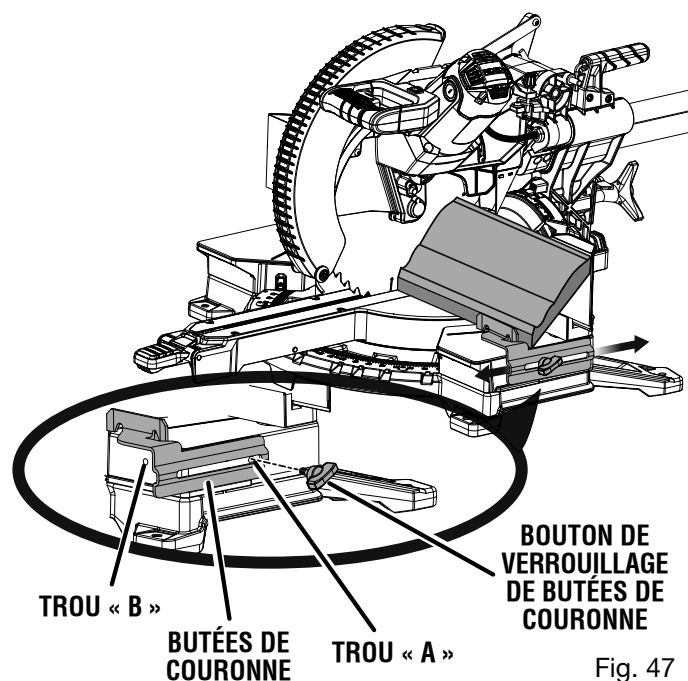


Fig. 47

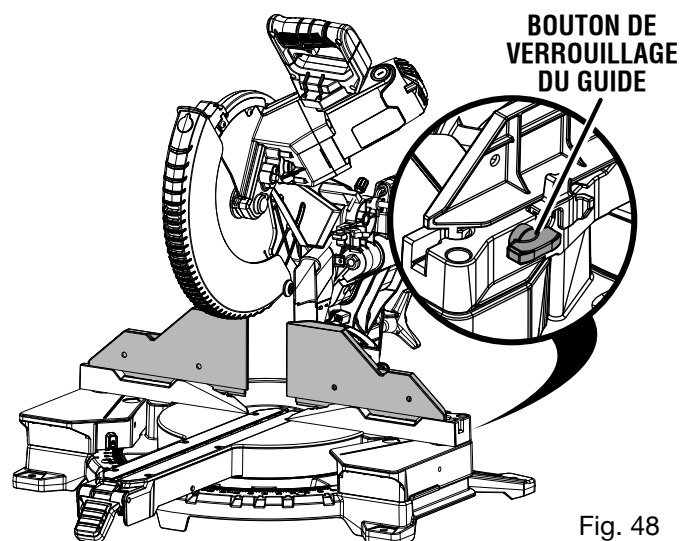


Fig. 48

# UTILISATION

## LEVIER DE RÉGLAGE POUR LES MOULURES COURONNÉES ET LES PLINTHES

Voir la figure 49.

Le levier de réglage pour les moulures couronnées et les plinthes est utile pour faire des coupes d'onglets à 45° de moulures couronnées hautes et de plinthes verticales.

Utiliser le réglage de couronne pour des moulures couronnées hautes de 117,48 mm (4 5/8 po) ou plus.

**NOTE :** Pour couper des moulures couronnées de moins de 117,48 mm (4 5/8 po), glisser la tête de la scie dans la position la plus reculée avec le levier de réglage pour les moulures couronnées et les plinthes abaissé.

**Pour régler la position pour les moulures couronnées hautes :**

- Repositionnement des guides d'onglets coulissants tel que décrit à la section précédente.
- Desserrer le bouton de verrouillage coulissant et tirer la tête de scie vers l'avant.
- Relever le levier de réglage de moulure couronnée et plinthe.

**NOTE :** Cette position du levier est utilisée pour toutes les coupes d'onglet de 45° vers la gauche ou la droite.

- Pousser la tête de scie jusqu'au bout vers l'arrière de la scie jusqu'à ce que la tête de scie s'arrête et serrez le bouton de verrouillage coulissant.
- Effectuer un trajet d'essai avant de faire toute coupe après avoir repositionné les guides d'onglets coulissants pour s'assurer qu'il n'y a aucune obstruction.
- Pour désengager le levier de réglage de moulures couronnées, déverrouiller le bouton de verrouillage coulissant, pousser le levier de réglage pour les moulures couronnées et les plinthes en place.

**Pour régler la position pour les plinthes verticales :**

- Repositionnement des guides d'onglets coulissants tel que décrit à la section précédente.
- Desserrer le bouton de verrouillage coulissant et pousser la scie loin de vous en direction de l'arrière de la scie.
- Retournez vers le haut le levier de réglage pour les moulures couronnées et les plinthes tout en tirant la tête de scie vers l'avant de la scie jusqu'à ce que le verrouillage de plinthes s'engage.

**NOTE :** Cette position de levier est pour les coupes se situant entre 45° à gauche et 45° à droite.

- Serrer fermement le bouton de verrouillage coulissant.
- Effectuer un trajet d'essai avant de faire toute coupe après avoir repositionné les guides d'onglets coulissants pour s'assurer qu'il n'y a aucune obstruction.
- Pour désengager le levier de réglage de plinthes, déverrouiller le bouton de verrouillage coulissant, pousser le levier de réglage pour les moulures couronnées et les plinthes en place.

## COUPE VERTICALE DE MOULURE DE BASE CONTRE LE GUIDE D'ONGLETS

Voir la figure 50.

- Repositionnement des guides d'onglets coulissants tel que décrit à la section précédente.
- Placer l'angle de biseau à 0° et l'angle d'onglet à 45° vers la gauche ou la droite. (Pour faire des coins à 90°.)

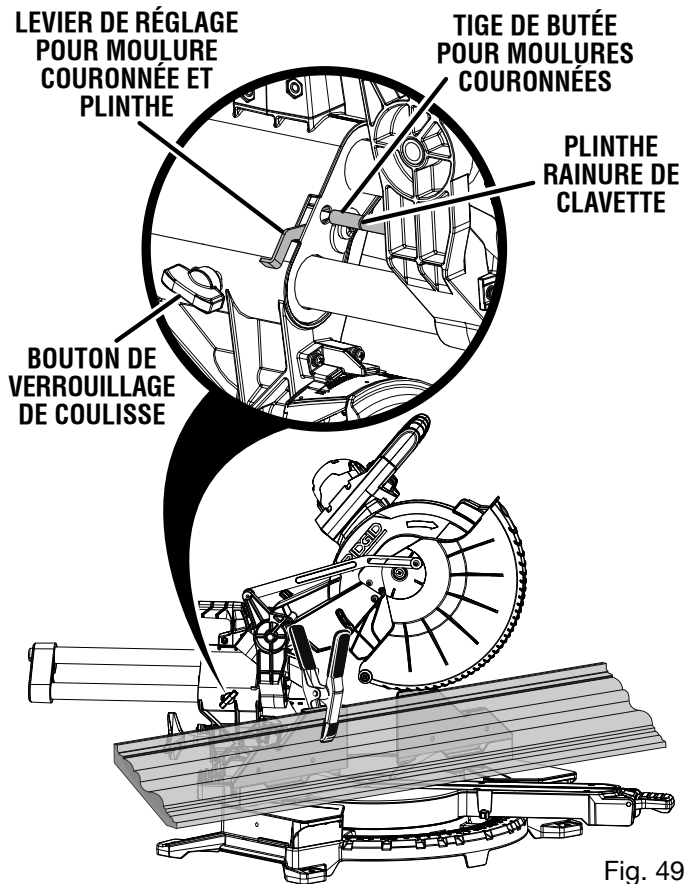


Fig. 49

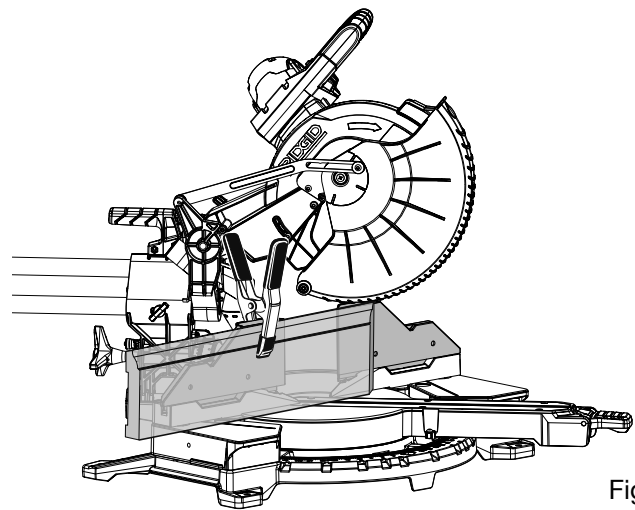


Fig. 50

- Placer et fixer la moulure de base verticalement sur le guide à l'aide de la pince à ressort, et bien tenir la moulure de base.

**NOTE :** Pour éviter l'interférence entre la moulure de base et le moteur lorsqu'on la coupe ou qu'on la taille à un angle de 45° vers la droite, la moulure ne devrait pas être placée à plus de 12,70 mm (1/2 po) par-dessus la plaque à rainure.

- Avant de mettre la scie en marche, faire un essai de coupe pour s'assurer qu'aucun problème ne surviendra pendant la coupe.
- Bien prendre la poignée de la scie. Appuyer sur l'interrupteur à gâchette. Donner plusieurs secondes à la scie pour que la lame atteigne sa vitesse maximale.
- Abaisser lentement la lame sur la moulure de base pour la couper.

# UTILISATION

## COUPE DE PIÈCES VOILÉES

Voir les figures 51 et 52.

Lors de la coupe de pièce voilée, toujours s'assurer qu'elle est positionnée sur la table à onglet avec le côté convexe contre le guide comme illustré à la figure 51.

Si une pièce voilée est placée dans le mauvais sens, comme le montre la figure 52, elle pincera la lame vers la fin de la coupe.

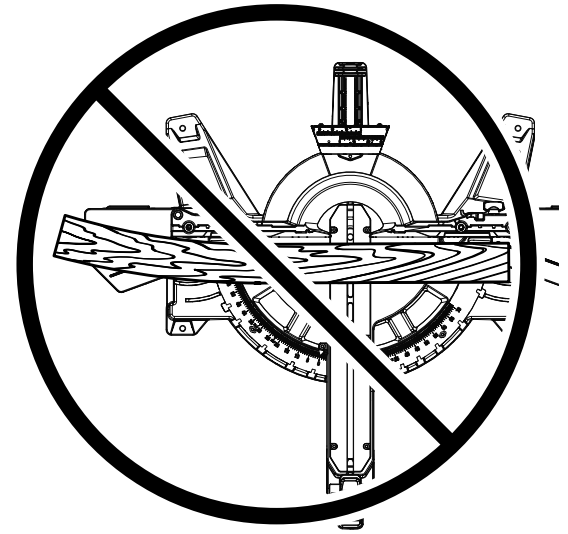
### **⚠ AVERTISSEMENT :**

Pour éviter les risques de rebond et de blessures graves, ne jamais placer le bord concave d'une pièce voilée ou déformée contre le guide.

## FIXATION DE PIÈCES LARGES

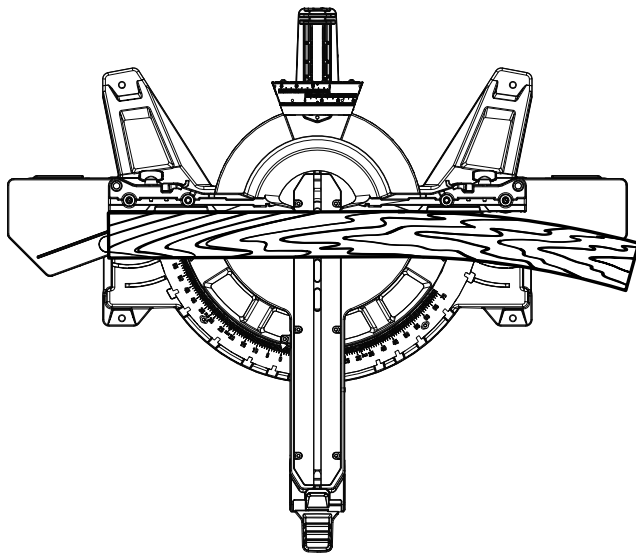
Voir la figure 53.

Les pièces larges, de dimensions nominal telles que 50,8 x 304,8 mm (2 x 12 po) doivent être assujetties avec baride de serrage de pièce comme illustré à la figure 53.



**INCORRECT**

Fig. 52



**CORRECT**

Fig. 51

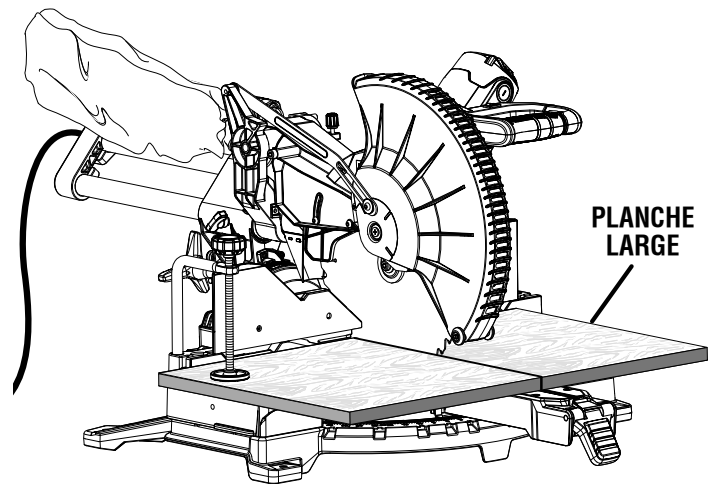


Fig. 53

# RÉGLAGES

## ⚠ AVERTISSEMENT :

Avant d'effectuer tout réglage, s'assurer que l'outil est débranché. Le non respect de cet avertissement pourrait entraîner des blessures graves.

Cette scie à onglets composés a été réglée en usine pour effectuer des coupes très précises. Toutefois, certains composants peuvent avoir été désalignés pendant le transport. En outre, après un certain temps des réglages s'avéreront probablement nécessaires, du fait de l'usure. Une fois la scie déballée, vérifier les réglages indiqués ci-dessous avant de l'utiliser. Effectuer tous les réglages nécessaires et vérifier périodiquement l'alignement des pièces pour s'assurer que la scie effectue des coupes précises.

## RÉGLAGES DES PIVOTS

**NOTE :** Ces réglages ont été effectués en usine et n'ont normalement pas besoin d'être refaits.

### RÉGLAGE DU PIVOT DE BRAS

- Le bras de la scie doit se relever complètement de lui-même.
- Si le bras de la scie ne se relève pas de lui-même ou si les articulations présentent du jeu, faire réparer la scie par le **AUTHORIZED SERVICE CENTER** le plus proche.

### RÉGLAGE DU PIVOT DE BISEAU

- La scie à onglets composés doit biseauter facilement en dévissant le bouton de verrouillage de biseau.
- Si le mouvement est restreint ou si les articulations présentent du jeu, faire réparer la scie par le **CENTRE DE RÉPARATIONS AUTORISÉ** le plus proche.

### RÉGLAGE DU VERRU DE BISEAU

Voir les figures 54 et 55.

Quand le bras de scie est biseauté dans une position «non indexée» autre que 0°, 15°, 22,5°, 33,9° et 45°, serrer le bouton de verrouillage du biseau devrait fournir suffisamment de force de serrage pour empêcher le bras de scie de bouger. Si le bras de scie bouge facilement quand le bouton de verrouillage du biseau est serré, des réglages sont nécessaires.

- Débrancher la scie.
- Retirer les deux (2) vis fixant le capuchon pare-poussière du verrou d'onglet. Retirer le couvercle.
- Desserrer le bouton de réglage de biseau.
- Régler l'angle du biseau à 0°.
- Immobiliser l'écrou avec une clé mixte de 13 mm, tout en tournant la vis de verrouillage du biseau à l'aide d'une clé hexagonale. Effectuer les réglages sur un quart de tour ou moins.

**NOTE:** Tourner la vis de verrouillage du biseau dans le sens horaire pour augmenter la force de serrage. Tourner la vis de verrouillage du biseau dans le sens antihoraire pour réduire la force de serrage.

- Avec une clé hexagonale, immobiliser la vis de blocage d'onglet et utiliser une clé mixte pour régler l'écrou soutenant la rondelle plate de manière à ce qu'elle soit tout près, mais sans toucher la plaquette frein.
- Après avoir effectué les réglages, s'assurer que la rondelle plate et la plaquette frein ne se touchent pas.
- Réinstaller le capuchon pare-poussière du verrou de biseau et serrer fermement les vis.

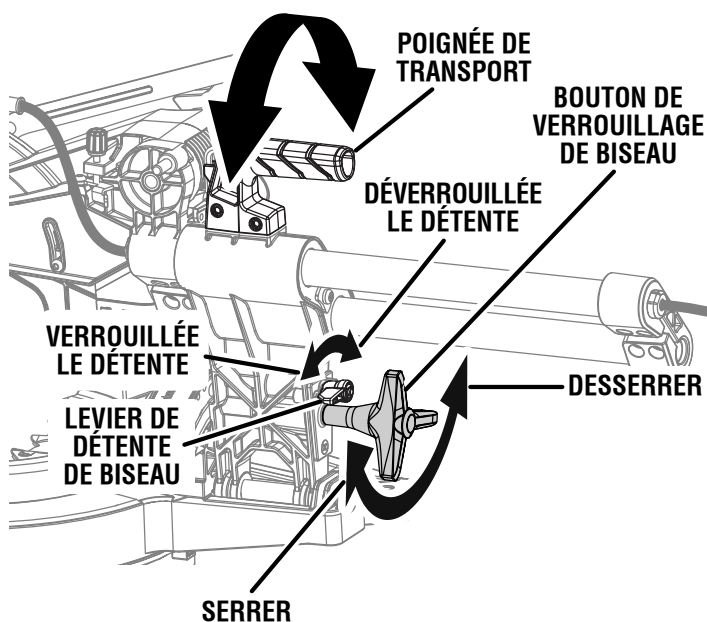


Fig. 54

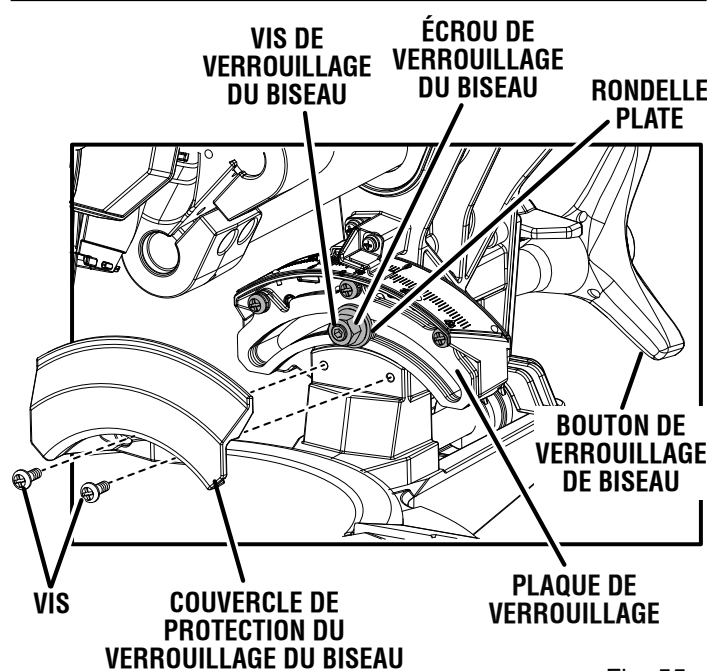


Fig. 55

# RÉGLAGES

## RÉGLAGE DU LEVIER DE VERROUILLAGE D'ONGLET

Voir les figures 56 et 57.

- Débrancher la scie.
- Localiser le contre-écrou à onglet, la vis de blocage à onglet et le sabot de verrouillage à onglet sur la face inférieure arrière de la scie.

### Pour vérifier la force de serrage du verrou d'onglet :

- Soulever le levier de verrouillage d'onglet et appuyer sur la détente de contournement d'onglet.
- Tourner la table d'onglets dans une position non listée autre que 0, 15, 22,5, 31,6, 45, 60 et 67,5 degrés.
- Abaisser le levier de verrouillage d'onglet pour verrouiller la table d'onglets. Si la table se déplace facilement lorsqu'elle est en position verrouillée, ajuster la vis de verrouillage d'onglet.
- Régler la vis de blocage d'onglet avec la clé hexagonale de 4 mm. Effectuer les réglages sur un quart de tour ou moins.

**NOTE :** Tourner la vis de blocage d'onglet vers la droite pour augmenter la force de serrage. Tourner la vis de blocage d'onglet vers la gauche pour diminuer la force de serrage.

- Après avoir effectué les réglages, s'assurer de la force de serrage.

**NOTE :** Il devrait prendre une force considérable pour déplacer la table en position verrouillée.

### Pour ajuster le mouvement de la table d'onglets :

- Soulever le levier de verrouillage d'onglet, appuyer sur la détente de contournement d'onglet et déplacer la table d'onglets vers la gauche ou droite. Si la table d'onglets ne se déplace pas librement, ajuster l'écrou de verrouillage d'onglets.
- Avec la clé hexagonale 4 mm, immobiliser la vis puis régler l'écrou soutenant le sabot de verrouillage d'onglet avec la clé mixte mixte de 13 mm.

**NOTE :** Tourner l'écrou de verrouillage d'onglets dans le sens horaire pour déplacer le sabot plus près de la base de la scie à onglets et rendre le déplacement de la table d'onglets plus difficile. Tourner l'écrou de verrouillage d'onglets dans le sens antihoraire pour déplacer le sabot plus loin de la base de la scie à onglets et rendre le déplacement de la table d'onglets plus facile.

- Ajuster l'écrou de verrouillage d'onglets jusqu'à ce que le sabot et la base de la scie à onglets soient près l'un de l'autre sans se toucher.
- Après avoir fait l'ajustement, vérifier le mouvement de la table d'onglets. La table d'onglets devrait bouger librement de gauche à droite.
- Tourner la table d'onglets dans une position non listée autre que 0, 15, 22,5, 31,6, 45, 60 et 67,5 degrés et abaisser le levier de verrouillage d'onglet. S'assurer de la force de serrage.

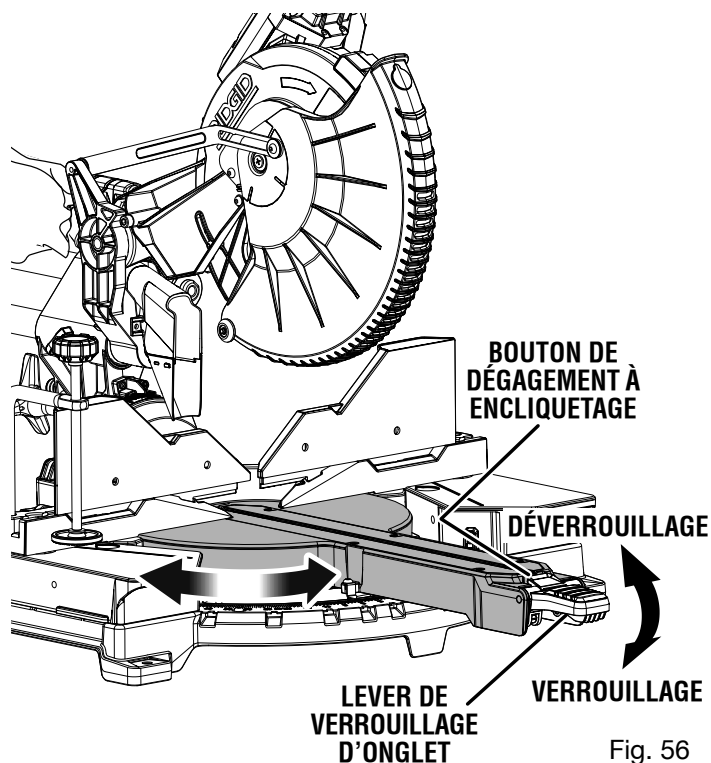


Fig. 56

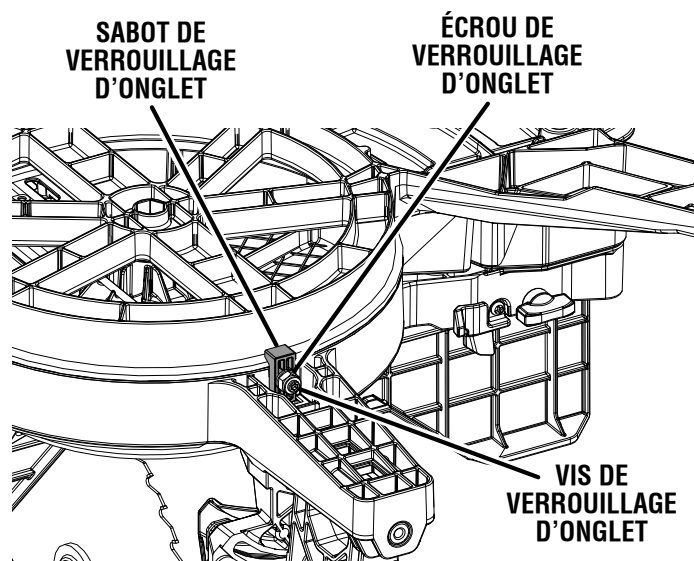


Fig. 57

# RÉGLAGES

## RÉGLAGE DU LEVIER DE VERROUILLAGE D'ONGLET

Voir la figure 58.

Soulever le levier de verrouillage d'onglet pour déverrouiller la table d'onglets.

- Débrancher la scie.
- Soulever le levier de verrouillage d'onglet pour déverrouiller la table d'onglets.
- Si le levier de verrouillage d'onglet n'est pas parallèle avec le dessus de la table d'onglets, effectuer les réglages nécessaires.
- Avec une clé mixte de 8 mm et un tournevis à tête plate, immobiliser la vis de blocage d'onglet et desserrer l'écrou de blocage d'onglet.
- Tourner l'écrou de blocage vers la droite pour abaisser le levier.
- Tourner l'écrou de blocage vers la gauche pour relever le levier.
- Régler le levier de verrouillage tant qu'il n'est pas parallèle à la table d'onglets.
- Maintenir la vis en place et serrer fermement l'écrou de blocage.

**NOTE :** Après avoir réglé le levier de blocage d'onglet, il faudra peut-être régler à nouveau le bouton de détente d'onglet.

## RÉGLAGE DU BOUTON DE DÉTENTE D'ONGLET

Voir la figure 58.

- Soulever le levier de verrouillage d'onglet pour déverrouiller la table d'onglets.
- Essayer de tourner la table d'onglets.
- Si la table d'onglets ne tourne pas, ceci signifie que la détente est enclenchée. Si la détente n'est pas enclenchée, appuyer sur le bouton de détente jusqu'à ce que ce dernier s'enclenche (clic) puis relâcher le bouton.
- Essayer de tourner la table d'onglets. Cette action doit enclencher la détente d'onglet et la verrouiller en place.
- Appuyer sur le bouton de détente d'onglet jusqu'à ce que ce dernier s'enclenche (clic).

- Essayer de tourner la table d'onglets. La table devrait tourner librement.
- Appuyer sur le bouton de détente d'onglet jusqu'à ce que ce dernier s'enclenche (clic).
- Essayer de tourner la table d'onglets. Cette action doit enclencher la détente d'onglet et la verrouiller en place.
- Si le système de détente ne fonctionne pas, faire les réglages nécessaires.
- Avec une clé mixte de 10 mm et un tournevis à tête plate, immobiliser la vis de détente d'onglet et desserrer l'écrou de détente d'onglet.
- Tourner l'écrou vers la droite pour abaisser le bouton.
- Tourner l'écrou vers la gauche pour relever le bouton.
- Tout en effectuant les réglages, appuyer sur le bouton de détente pour s'assurer que le « clic » s'entend toujours.
- Régler jusqu'à ce que le « clic » s'entende depuis la position la plus basse.
- Maintenir la vis en place et serrer fermement l'écrou de détente d'onglet.

**NOTE :** Après avoir réglé le bouton de détente d'onglet, il faudra peut-être régler le levier de blocage d'onglet.

### DESSOUS DU LEVIER DE VERROUILLAGE D'ONGLET

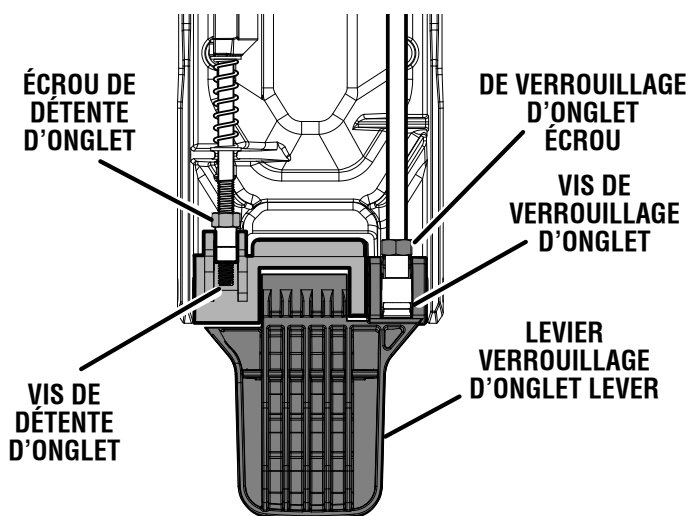


Fig. 58

# ENTRETIEN

## **AVERTISSEMENT :**

Utiliser exclusivement des pièces d'origine pour les réparations. L'usage de toute autre pièce pourrait créer une situation dangereuse ou endommager le produit.

## **AVERTISSEMENT :**

Toujours porter une protection oculaire certifiée conforme à la norme ANSI Z87.1 lors de l'utilisation de produit. Si une opération dégage de la poussière, porter également un masque anti-poussière.

## **AVERTISSEMENT:**

Avant d'effectuer tout réglage, s'assurer que l'outil est débranché. Le non respect de cet avertissement pourrait entraîner des blessures graves.

## ENTRETIEN GÉNÉRAL

Éviter d'utiliser des solvants pour le nettoyage des pièces en plastique. La plupart des matières plastiques peuvent être endommagées par divers types de solvants du commerce. Utiliser un chiffon propre pour éliminer la saleté, la poussière, l'huile, la graisse, etc.

## **AVERTISSEMENT :**

Ne jamais laisse de liquides tels que le fluide de freins, l'essence, les produits à base de pétrole, les huiles pénétrantes, etc., entrer en contact avec les pièces en plastique. Les produits chimiques peuvent endommager, affaiblir ou détruire le plastique, ce qui peut entraîner des blessures graves.

## LUBRIFICATION

Tous les roulements de cet outil sont garnis d'une quantité de graisse de haute qualité, suffisante pour la durée de vie de l'outil, dans des conditions d'utilisation normales. Aucune autre lubrification n'est donc nécessaire.

## **AVERTISSEMENT :**

Pour assurer la sécurité de l'utilisation et la fiabilité de l'outil, toutes les réparations doivent être confiées à un technicien qualifié d'un magasin ou centre de réparation agréé.

Certaines zones nécessitent des réglages peu fréquents. Effectuer les applications suivantes :

- Huile automobile directement sur les barres de coulissement.
- Huile légère ou huile légère en aérosol sur le pivot du bras.
- Huile légère ou huile légère en aérosol sur le ressort de torsion.

**NOTE :** Ne pas appliquer de l'huile à l'assemblage de verrouillage de biseau ou à l'ensemble de verrouillage d'onglet.

## REPLACEMENT DES BALAIS

Voir la figure 59.

Le moteur de la scie est équipé de balais accessibles de l'extérieur, dont l'usure doit être vérifiée périodiquement.

**Lorsque le remplacement des balais s'avère nécessaire, procéder comme suit :**

- Débrancher la scie.
- Retirer le couvercle des balais à l'aide d'un tournevis. Les balais sont montés sur ressort et sont éjectés lorsque le couvercle est retiré.
- Retirer les balais.
- Regarder s'ils sont usés. Remplacer les deux balais lorsque la longueur du carbone est de 6 mm (1/4 po) ou moins. **Ne pas** remplacer un balai sans remplacer l'autre.
- Installer les nouveaux balais. S'assurer que la courbure des balais correspond à celle du moteur et que les balais tournent librement dans leurs tubes.
- S'assurer que le couvercle est correctement aligné (droit) et l'assujettir.
- Serrer le couvercle solidement. **Ne pas** trop serrer.

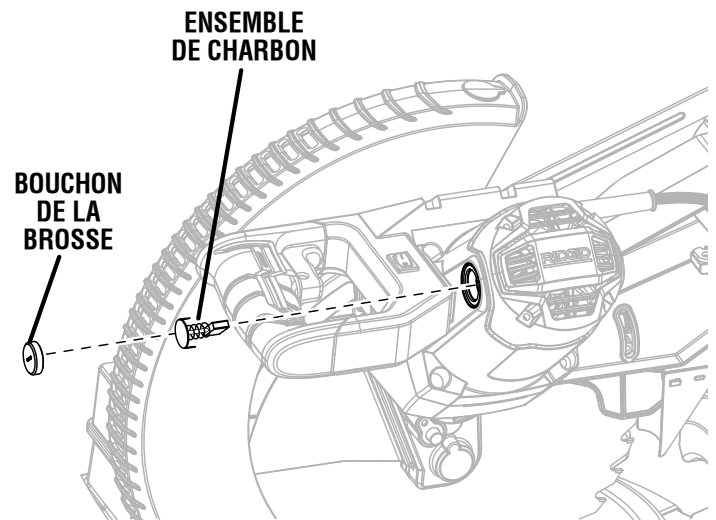


Fig. 59



# ENTRETIEN

## NETTOYAGE DE LA LENTILLE DEL

Voir la figure 60.

Avec le temps, il est possible que la lumière à la DEL devienne embrouillée ou diffuse. Si c'est le cas, il est possible que la lentille à la DEL doive être nettoyée.

### Pour nettoyer la lentille :

- Débrancher la scie.
- Soulever le bras de la scie.
- Retirer la lame comme décrit dans la section *Assemblage*.
- Faire pivoter le protège-lame inférieur pour exposer la lentille de la DEL.
- À l'aide d'un petit linge ou d'un coton-tige, nettoyer délicatement toute poussière ou tout débris de la lentille de la DEL.

**NOTE :** Faire attention, car le nettoyage pourrait endommager la lentille.

- Réinstaller la lame.

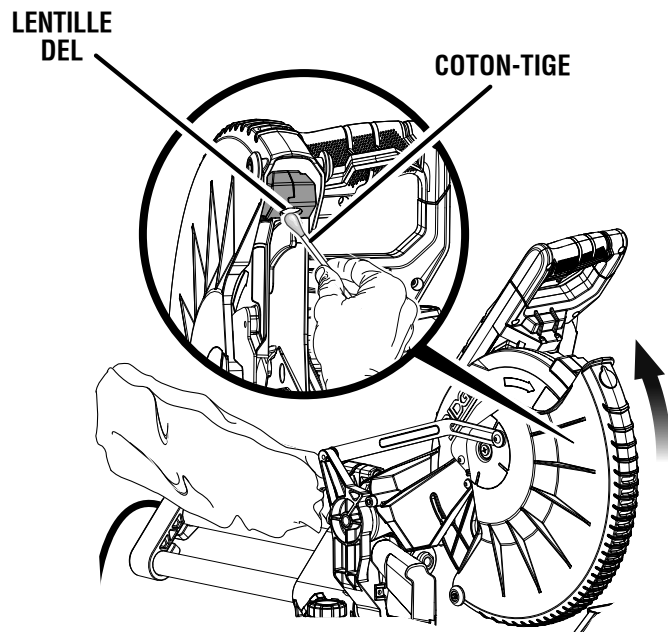


Fig. 60

## ACCESSOIRES

Rechercher ces accessoires où vous avez acheté ce produit ou en appelant au 1-866-539-1710 :

- Chariot utilitaire pour scie à onglets..... AC9946
- Ensemble de sac à sciure..... 089041028710
- Lame de 304,8 mm (12 po) ..... 089041028912
- Ensemble de plaque à gorge..... 089041028712
- Bride de serrage de pièce ..... 089041028711
- Clé de lame..... 089041028913
- Ensemble de butées de couronne..... 089041028100

### **AVERTISSEMENT :**

Les produits et accessoires disponibles actuellement pour ce produit sont listés ci-dessus. Ne pas utiliser d'outils ou accessoires non recommandés pour ce produit. L'utilisation de pièces et accessoires non recommandés peut entraîner des blessures graves.

# GARANTIE

---

## OUTILS ÉLECTRIQUES À MAIN ET D'ÉTABLI RIDGID® GARANTIE LIMITÉE DE SERVICE DE 3 ANS

Une preuve d'achat doit être présentée pour toute demande de réparation sous garantie.

Cette garantie se limite aux outils électriques à main et d'établi RIDGID® achetés à partir du 1/2/04. Ce produit est fabriqué par One World Technologies, Inc., sous licence de marque de RIDGID®, Inc. Toutes les communications de garantie doivent être adressées à One World Technologies, Inc., aux soins de : Service technique des outils motorisés à main et d'établi RIDGID®, au 1-866-539-1710 (appel gratuit).

### GARANTIE DE 90 JOURS EN CAS DE NON SATISFACTION

Si le client n'est pas satisfait pour quelque raison que ce soit au cours des 90 jours suivant la date d'achat de cet outil à main ou d'établi RIDGID®, il pourra retourner le produit au point de vente pour échange ou remboursement complet. Pour obtenir un outil en échange, l'équipement original devra être retourné, dans son emballage d'origine, accompagné d'une preuve d'achat. L'outil fourni en échange sera couvert par la garantie limitée pour le restant de la période de validité de 3 ANS.

### CE QUI EST COUVERT PAR LA GARANTIE LIMITÉE DE TROIS ANS

Cette garantie sur les outils motorisés à main et d'établi RIDGID® couvre tous les vices de matériaux et de fabrication, ainsi que les articles de consommation courants, tels que balais, mandrins, moteurs, commandes, cordons, engrenages et même les piles d'outils sans fil de cet outil RIDGID®, pour une période de trois ans, à compter de la date d'achat. Les garanties d'autres produits RIDGID® peuvent être différentes.

### RÉPARATIONS SOUS GARANTIE

Pour toute réparation sous garantie, cet outil RIDGID® devra être retourné, en port payé, à un centre de réparations agréé RIDGID® pour outils motorisés à main et d'établi. L'adresse du centre de réparation agréé le plus proche peut être obtenue en appelant au 1-866-539-1710 (appel gratuit), ou en accédant au site Internet RIDGID® : [www.RIDGID.com](http://www.RIDGID.com). Le centre de réparation agréé corrigera tout défaut de fabrication et réparera ou remplacera (à notre discrétion) gratuitement toute pièce défectueuse.

### CE QUI N'EST PAS COUVERT

La garantie ne couvre que l'acheteur original et n'est pas transférable. Cette garantie ne couvre que les problèmes de fonctionnement, défaillances ou autres défauts résultant d'un usage inadéquat ou abusif, de la négligence, de la modification, de l'altération ou de réparations effectuées par un centre de service autre qu'un centre de réparation agréé d'outils motorisés à main et d'établi RIDGID®. Les accessoires jetables fournis avec cet outil, tels que, notamment, les lames, embouts et abrasifs, ne sont pas couverts.

**RIDGID®, INC., ET ONE WORLD TECHNOLOGIES, INC. NE FONT AUCUNE AUTRE GARANTIE, REPRÉSENTATION OU PROMESSE CONCERNANT LA QUALITÉ ET LES PERFORMANCES DE SES OUTILS MOTORISÉS, AUTRES QUE CELLES EXPRESSÉMENT INDIQUÉES DANS LE PRÉSENT DOCUMENT.**

### AUTRES LIMITATIONS

Sous réserve des lois en vigueur, toutes les garanties implicites sont exclues, y compris les GARANTIES DE VALEUR MARCHANDE ou D'ADÉQUATION À UN USAGE PARTICULIER. Toutes les garanties implicites, y compris les garanties de valeur marchande ou d'adéquation à un usage particulier ne pouvant pas être exclues en raison des lois en vigueur, sont limitées à une durée de trois ans, à compter de la date d'achat. One World Technologies, Inc. et RIDGID®, Inc. déclinent toute responsabilité pour les dommages directs ou indirects. Certains états et provinces ne permettant pas de limitation sur la durée des garanties implicites, et/ou l'exclusion ou la limitation des dommages directs ou indirects, les restrictions ci-dessus peuvent ne pas être applicables. Cette garantie donne au consommateur des droits spécifiques, et celui-ci peut bénéficier d'autres droits, qui varient selon les états ou provinces.

---

**One World Technologies, Inc.**

P.O. Box 1427

Anderson, SC 29622

---



# REGLAS DE SEGURIDAD GENERALES

## ADVERTENCIA:

Lea todas las advertencias, instrucciones, ilustraciones y especificaciones proporcionadas con esta herramienta eléctrica. No seguir las instrucciones indicadas a continuación puede provocar descargas eléctricas, incendios o lesiones graves.

Guarde todas las advertencias e instrucciones para consultarlas en el futuro. El término “herramienta eléctrica” en las advertencias se refiere a las herramientas eléctricas que funcionan con corriente (con cordón) o las que funcionan con batería (inalámbricas).

## ÁREA DE TRABAJO

- **Mantenga limpia y bien iluminada el área de trabajo.** Un área de trabajo mal despejada o mal iluminada propicia accidentes.
- **No utilice herramientas motorizadas en atmósferas explosivas, como las existentes alrededor de líquidos, gases y polvos inflamables.** Las herramientas eléctricas generan chispas que pueden encender el polvo y los vapores inflamables.
- **Mantenga alejados a los niños y circunstancias al maniobrar una herramienta eléctrica.** Toda distracción puede causar la pérdida del control de la herramienta.

## SEGURIDAD ELÉCTRICA

- **Las clavijas de las herramientas eléctricas deben corresponder a las tomas de corriente donde se conectan. Nunca modifique la clavija de ninguna forma. No utilice ninguna clavija adaptadora con herramientas eléctricas dotadas de contacto a tierra.** Conectando las clavijas originales en las tomas de corriente donde corresponden se disminuye el riesgo de una descarga eléctrica.
- **Evite el contacto del cuerpo con las superficies de objetos conectados a tierra, como las tuberías, radiadores, estufas y refrigeradores.** Existe un mayor riesgo de descargas eléctricas si el cuerpo está haciendo tierra.
- **No exponga las herramientas eléctricas a la lluvia ni a condiciones de humedad.** La introducción de agua en una herramienta eléctrica aumenta el riesgo de descargas eléctricas.
- **No maltrate el cordón eléctrico. Nunca utilice el cordón para trasladar, desconectar o tirar de la herramienta eléctrica. Mantenga el cordón lejos del calor, aceite, bordes afilados y piezas móviles.** Los cordones eléctricos dañados o enredados aumentan el riesgo de descargas eléctricas.
- **Al utilizar una herramienta eléctrica a la intemperie, use un cordón de extensión apropiado para el exterior.** Usando un cordón adecuado para el exterior se disminuye el riesgo de descargas eléctricas.

- **Si debe operar una herramienta en lugares húmedos, use un suministro protegido por un interruptor de circuito con pérdida a tierra (GFCI).** El uso de un GFCI reduce el riesgo de descargas eléctricas.

## SEGURIDAD PERSONAL

- **Permanezca alerta, preste atención a lo que esté haciendo y aplique el sentido común al utilizar herramientas eléctricas. No utilice la herramienta eléctrica si está cansado o se encuentra bajo los efectos de alguna droga, alcohol o medicamento.** Un momento de inatención al utilizar una herramienta eléctrica puede causar lesiones corporales serias.
- **Utilice protección el equipo otros. Siempre póngase protección ocular.** El uso de equipo protector como mascarilla para el polvo, calzado de seguridad, casco y protección para los oídos en las circunstancias donde corresponda disminuye el riesgo de lesiones.
- **Evite que la herramienta se active accidentalmente. Asegúrese de que el interruptor esté en la posición de apagado antes de conectar la herramienta a un suministro de corriente o de colocar un paquete de baterías.** Transportar herramientas eléctricas con el dedo en el interruptor o enchufar herramientas eléctricas que tienen el interruptor encendido puede ocasionar accidentes.
- **Retire toda llave o herramienta de ajuste antes de encender la herramienta eléctrica.** Toda llave o herramienta de ajuste dejada en una pieza giratoria de la herramienta eléctrica puede causar lesiones.
- **No estire el cuerpo para alcanzar mayor distancia. Mantenga una postura firme y buen equilibrio en todo momento.** De esta manera se logra un mejor control de la herramienta eléctrica en situaciones inesperadas.
- **Vístase adecuadamente. No vista ropas holgadas ni joyas. Mantenga el cabello, la ropa y los guantes alejados de las piezas móviles.** Las ropas holgadas y las joyas, así como el cabello largo, pueden engancharse en las piezas móviles.
- **Si se suministran dispositivos para conectar mangueras de extracción y captación de polvo, asegúrese de que éstas estén bien conectadas y se usen correctamente.** El uso de la captación de polvo puede reducir los peligros relacionados con éste.
- **No permita que la familiaridad obtenida por el uso frecuente de las herramientas lo vuelva complaciente e ignore los principios de seguridad de las herramientas.** Una acción descuidada puede causar lesiones graves en una fracción de segundo.

## EMPLEO Y CUIDADO DE LA HERRAMIENTA ELÉCTRICA

- **No fuerce la herramienta eléctrica. Utilice la herramienta eléctrica adecuada para cada trabajo.** La herramienta eléctrica adecuada efectúa mejor y de

# REGLAS DE SEGURIDAD GENERALES

---

manera más segura el trabajo, si además se maneja a la velocidad para la que está diseñada.

- **No utilice la herramienta si el interruptor no enciende o no apaga.** Cualquier herramienta eléctrica que no pueda controlarse con el interruptor es peligrosa y debe repararse.
- **Desconecte el enchufe de la fuente de alimentación o retire el paquete de baterías, si es desmontable, de la herramienta eléctrica antes de realizar ajustes, cambiar accesorios o almacenar herramientas eléctricas.** Tales medidas preventivas de seguridad reducen el riesgo de poner en marcha accidentalmente la herramienta.
- **Guarde las herramientas eléctricas desocupadas fuera del alcance de los niños y no permita que las utilicen personas no familiarizadas con las mismas o con estas instrucciones.** Las herramientas eléctricas son peligrosas en manos de personas no capacitadas en el uso de las mismas.
- **Mantenimiento de las herramientas eléctricas y accesorios.** Revise para ver si hay desalineación o atoramiento de piezas móviles, ruptura de piezas o toda otra condición que pueda afectar el

**funcionamiento de la herramienta eléctrica. Si está dañada la herramienta eléctrica, permita que la reparen antes de usarla.** Numerosos accidentes son causados por herramientas eléctricas mal cuidadas.

- **Mantenga las herramientas de corte afiladas y limpias.** Las herramientas de corte bien cuidadas y con bordes bien afilados, tienen menos probabilidad de atascarse en la pieza de trabajo y son más fáciles de controlar.
- **Use la herramienta eléctrica, los accesorios, las brocas, etc. según estas instrucciones, teniendo en cuenta las condiciones de trabajo y la tarea que se va a realizar.** Si se utiliza la herramienta eléctrica para operaciones diferentes de las indicadas podría originar una situación peligrosa.
- **Mantenga los mangos y superficies de agarre limpias y libres de aceite y grasa.** Los mangos y superficies de agarre resbalosas no permiten la manipulación y control seguro de la herramienta en situaciones inesperadas.

## SERVICIO

- **Permita que un técnico de reparación calificado preste servicio a la herramienta eléctrica, y sólo con piezas de repuesto idénticas.** De esta manera se mantiene la seguridad de la herramienta eléctrica.

# REGLAS DE SEGURIDAD DE LA SIERRA INGLETEADORA

---

- **Las sierras ingleteadoras sirven para cortar madera o productos parecidos a la madera; no pueden usarse con discos de corte abrasivo para cortar material férreo, como barras, varillas, vigas, etc.** El polvo abrasivo hace que las partes móviles, como la protección inferior, se atasquen. Las chispas que se producen durante el corte abrasivo quemarán la protección inferior, el accesorio de corte y otras partes plásticas.
- **Utilice abrazaderas para sostener la pieza de trabajo cuando sea posible. Si sostendrá la pieza de trabajo con la mano, siempre manténgala a una distancia de, al menos, 100 mm en ambos lados de la hoja de la sierra. No use esta sierra para cortar piezas demasiado pequeñas para sostener con la mano o por medio de la abrazadera de forma segura.** Si coloca la mano muy cerca de la hoja de la sierra, hay mayor riesgo de lesiones debido al contacto con la hoja.
- **La pieza de trabajo debe estar inmóvil y sujeta o sostenida contra la guía y la mesa. No empuje la pieza de trabajo hacia la hoja o corte sin usar las manos de ninguna manera.** Las piezas de trabajo sueltas o en movimiento podrían salir despedidas a gran velocidad, lo que puede causar lesiones.
- **Empuje la sierra por la pieza de trabajo. No tire de la sierra en dirección a la pieza de trabajo. Para hacer un corte, eleve la cabeza de la sierra y tire hacia afuera para colocarla sobre la pieza de trabajo sin cortar,**

**encienda el motor, presione la cabeza de la sierra hacia abajo y empuje la sierra por la pieza de trabajo.** Si corta tirando hacia usted, es posible que la hoja de la sierra suba a la parte superior de la pieza de trabajo y el conjunto de la hoja se dispare violentamente hacia el operador.

- **Nunca atraviese la mano por la línea de corte, ya sea por delante de la hoja de la sierra o por detrás de ella.** Sostener la pieza de trabajo con las "manos invertidas" (por ejemplo, sostenerla sobre la derecha de la hoja de la sierra con la mano izquierda o viceversa) es peligroso.
- **No acerque las manos detrás de la guía a una distancia menor de 100 mm en ambos lados de la hoja de la sierra, para quitar desechos de madera ni por ninguna otra razón mientras la hoja gire.** Es posible que no note la proximidad de la hoja de la sierra en movimiento con respecto a la mano, por lo que podría lesionarse de forma severa.
- **Inspeccione la pieza de trabajo antes de realizar cortes. Si la pieza de trabajo está doblada o deformada, sujétela con la cara doblada exterior hacia la guía. Asegúrese siempre de que no haya espacio entre la pieza de trabajo, la guía y la mesa a lo largo de la línea de corte.** Las piezas de trabajo dobladas o deformadas podrían torcerse o desplazarse, y hacer que la hoja de la sierra en movimiento se atasque durante el corte. No debe haber clavos ni objetos extraños en la pieza de trabajo.

# REGLAS DE SEGURIDAD DE LA SIERRA INGLETEADORA

---

- **No use la hoja hasta que la mesa esté libre de cualquier otra herramienta, desechos de madera, etc. Solo debe estar la pieza de trabajo.** En caso de haber desechos pequeños, piezas de manera sueltas o cualquier otro objeto que haga contacto con la hoja en movimiento, estos podrían salir disparados a gran velocidad.
- **Corte solo una pieza de trabajo por vez.** Varias piezas de trabajo apiladas no pueden sujetarse de forma adecuada, por lo que podrían quedar atascadas en la hoja o desplazarse durante el corte.
- **Asegúrese de que la sierra ingleteadora esté montada o colocada en una superficie de trabajo nivelada y firme antes de usarla.** Una superficie de trabajo nivelada y firme reduce el riesgo de que la sierra ingleteadora pierda estabilidad.
- **Planifique su trabajo. Cada vez que cambie la configuración del ángulo del bisel o el inglete, asegúrese de que la guía ajustable esté colocada correctamente para sostener la pieza de trabajo y no interfiera con la hoja o el sistema de protección.** Sin encender la herramienta y sin que haya ninguna pieza de trabajo sobre la mesa, mueva la hoja de la sierra para realizar un corte simulado completo a fin de asegurarse de que no haya interferencia ni peligro de cortar la guía.
- **Use un soporte adecuado, como extensiones de mesa, caballetes, etc. en caso de trabajar con piezas más anchas o más largas que el tablero.** Las piezas de trabajo más largas o más anchas que la mesa de la sierra ingleteadora podrían caerse si no se sostienen de forma segura. Si la pieza de corte o de trabajo se cae, podría elevar la protección inferior o salir disparada por el movimiento de la hoja.
- **No use a otra persona como reemplazo de extensión de la mesa o como soporte adicional.** Si no brinda un soporte estable a la pieza de trabajo, la hoja podría quedar atascada o la pieza de trabajo podría desplazarse durante el corte y empujarlos a usted y a la persona que ayuda hacia la hoja en movimiento.
- **La pieza de corte no debe forzarse ni presionarse de ningún modo contra la hoja de la sierra en movimiento.** Si se la limita, por ejemplo, utilizando topes de longitud, la pieza de corte podría quedar atrapada contra la hoja y salir disparada de forma violenta.
- **Use siempre una abrazadera o un accesorio diseñado para sostener material redondo (como varillas o tubos) de forma adecuada.** Las varillas tienden a rodar al cortarlas, lo que hace que la hoja muerda y tire del trabajo con la mano hacia la hoja.
- **Deje que la hoja alcance su velocidad máxima antes de hacer contacto con la pieza de trabajo.** Esto reducirá el riesgo de que la pieza de trabajo salga disparada.
- **Si la pieza de trabajo o la hoja se atascan, apague la sierra ingleteadora. Espere a que todas las partes en movimiento se detengan y desconecte el enchufe de la fuente de alimentación o quite el paquete de baterías. Luego, quite el material atascado.** Si continúa usando la sierra con una pieza de trabajo atascada, podría perder el control o dañar la sierra ingleteadora.
- **Después de terminar el corte, suelte el interruptor, sostenga la cabeza de la sierra hacia abajo y espere a que la hoja se detenga antes de quitar la pieza de corte.** Acercar la mano a la hoja en movimiento con el motor apagado es peligroso.
- **Sostenga el mango con firmeza al hacer un corte incompleto o al soltar el interruptor antes de que la cabeza de la sierra esté completamente en la posición hacia abajo.** La acción de frenado de la sierra podría hacer que esta haga un movimiento hacia abajo de manera repentina, lo que podría causar lesiones.
- **Guarde estas instrucciones.** Consúltelas con frecuencia y empléelas para instruir a otros usuarios. Si presta a alguien esta herramienta, facilítele también las instrucciones.

## ADVERTENCIAS DE SEGURIDAD ADICIONALES

---

- **Use un cordón de extensión adecuado.** Asegúrese de que esté en buen estado el cordón de extensión. Al utilizar un cordón de extensión sólo utilice uno del calibre suficiente para soportar la corriente que consume el producto. Un cordón de un grueso insuficiente causa una caída en el voltaje de línea, y produce recalentamiento y pérdida de potencia. Se recomienda que los conductores sean de calibre **14** (A.W.G.) por lo menos, para un cordón de extensión de 7,6 metros (25 pies) de largo o menos. Si tiene dudas, utilice un cordón del calibre más grueso siguiente. Cuanto menor es el número de calibre, mayor es el grueso del cordón.
- **Inspeccione periódicamente los cordones eléctricos de las herramientas.** Si están dañados, llévelos a un establecimiento de servicio autorizado para que los revise un técnico de servicio calificado. Repare o reemplace de inmediato todo cordón dañado o gastado. Siempre esté consciente de la ubicación del cordón y manténgalo bien alejado de la hoja en movimiento de giro.
- **Inspeccione periódicamente los cordones de extensión y reemplácelos si están dañados.**
- **Clavijas polarizadas.** Las herramientas con aislamiento doble están equipadas de una clavija polarizada (una patilla es más ancha que la otra). Esta clavija encaja de una sola forma en una toma de corriente polarizada. Si la clavija no encaja completamente en la toma de corriente, invierta la clavija. Si aún así no encaja, comuníquese con un electricista calificado para que instale una toma de

# ADVERTENCIAS DE SEGURIDAD ADICIONALES

corriente adecuada. No modifique la clavija de ninguna manera.




- **Familiarícese con su herramienta eléctrica.** Lea cuidadosamente el manual del operador. Aprenda los usos, limitaciones y posibles peligros relacionados con esta herramienta.
- **Siempre póngase protección ocular con protección lateral con la marca de cumplimiento de la norma ANSI Z87.1 junto con protección para los oídos.** La inobservancia de esta advertencia puede causar el lanzamiento de objetos a los ojos, y por consecuencia posibles lesiones serias.
- **No se pare nunca en la herramienta.** Pueden producirse lesiones serias si se vuelca la herramienta.
- **Mantenga las protecciones en su lugar** y en buenas condiciones de trabajo.
- **Avance la pieza de trabajo en la dirección correcta.** Solamente empuje la pieza de trabajo hacia la hoja, fresa o tambor de lijado, contra el sentido de rotación de éstos.
- **Nunca deje funcionando desatendida la herramienta. Apague la corriente.** No abandone la herramienta hasta verla completamente detenida.
- **Sólo utilice hojas de corte adecuadas.** No use hojas con orificio de un tamaño incorrecto. Nunca utilice arandelas ni pernos de la hoja de corte dañados o inadecuados. La sierra tiene capacidad para hojas hasta de un diámetro de 305 mm (12 pulg.).
- **Antes de efectuar un corte verifique que estén bien asegurados todos los dispositivos de ajuste.**
- **Nunca toque la hoja** ni ninguna otra pieza en movimiento durante el funcionamiento de la unidad.
- **Revise dos veces toda configuración de la herramienta.** Asegúrese de que la hoja esté apretada y de que no toque la sierra o la pieza de trabajo antes de conectar la unidad al suministro de corriente.
- **Sujete firmemente con prensas de mano o pernos** la herramienta en una mesa o banco de trabajo aproximadamente a la altura de la cadera.
- **Asegúrese de que la mesa de ingletes y el brazo de la sierra (función de bisel) estén en posición asegurada antes de poner en funcionamiento su sierra.** Fije la mesa de ingletes ajustando en forma segura el mango de fijación de ingletes. Asegure el brazo de la sierra (función de bisel) ajustando en forma segura la perilla de bloqueo de bisel.
- **Nunca mueva el ajuste de la pieza de trabajo ni marca a algún ángulo cortante mientras el vio corre y la hoja gira.** Cualquier tropiezo puede tener como resultado el contacto con la hoja que causa lesiones serias.
- **Evite operaciones y posiciones extrañas de las manos** en las cuales un deslizamiento rápido pudiera causar

que la mano tocara la hoja. **SIEMPRE** asegúrese de estar en una postura equilibrada. **NUNCA** utilice la sierra ingleteadora en el piso o estando en cuclillas.








- **Nunca** se pare ni tenga ninguna parte del cuerpo en línea con la trayectoria de la hoja de la sierra.
- **No encienda y apague con rapidez el interruptor.** Esto podría causar el aflojamiento de la hoja de la sierra y el consiguiente peligro. Si esto llegara a ocurrir, aléjese y permita que se detenga completamente la hoja de la sierra. Desconecte la sierra del suministro de corriente y vuelva a apretar firmemente el perno de la hoja.
- **Si cualquier pieza de esta sierra ingleteadora está faltante, rota, doblada o funciona mal de cualquier forma, o si cualquier componente eléctrico de la misma no funciona debidamente, apague el interruptor de corriente, retire la clavija del suministro de corriente y llame a un técnico para que reemplace toda pieza dañada, faltante o defectuosa antes de reanudar el trabajo.**
- **Siempre apague la sierra** antes de desconectarla para evitar un arranque accidental de la misma al volver a conectarla al suministro de corriente. **NUNCA** deje desatendida la sierra mientras esté conectada a un suministro de corriente.
- **Esta herramienta** tendrá los siguientes avisos:
  - Para reducir el riesgo de lesiones, el usuario debe leer el manual del operador.
  - Póngase protección ocular.
  - Mantenga las manos y el cuerpo fuera de la trayectoria de la hoja. Cualquier contacto con la hoja puede producir lesiones serias.
  - Revise la protección para asegurarse de que funciona correctamente.
  - No efectúe a pulso ninguna operación.
  - Nunca intente alcanzar nada alrededor de la hoja de corte.
  - Apague la herramienta y espere a que la hoja de la sierra se detenga antes mover la pieza de trabajo o cambiar la configuración.
  - Desconecte la sierra del suministro de corriente antes de cambiar la hoja de corte o de dar servicio a la unidad
- **Siempre** porte la herramienta por el mango de acarreo.
- **Esta sierra puede volcarse** si se suelta súbitamente la cabeza de la misma y la sierra no está asegurada a una superficie de trabajo. Siempre asegure esta sierra a una superficie de trabajo estable antes de usarla para evitar lesiones serias.
- **Siempre cerciorese el vio hoja tiene el espacio libre de todas obstrucciones antes girar el vio en.**

# SÍMBOLOS

Las siguientes palabras de señalización y sus significados tienen el objeto de explicar los niveles de riesgo relacionados con este producto.

SÍMBOLO	SEÑAL	SIGNIFICADO
	<b>PELIGRO:</b>	Indica una situación peligrosa, la cual, si no se evita, causará la muerte o lesiones serias.
	<b>ADVERTENCIA:</b>	Indica una situación peligrosa, la cual, si no se evita, podría causar la muerte o lesiones serias.
	<b>PRECAUCIÓN:</b>	Indica una situación peligrosa, la cual, si no se evita, podría causar lesiones menores o leves.
	<b>AVISO:</b>	(Sin el símbolo de alerta de seguridad) Indica la información que se considera importante, pero no relacionada con lesiones potenciales (por ej. en relación a daños a la propiedad).

Es posible que se empleen en esta herramienta algunos de los siguientes símbolos. Le suplicamos estudiarlos y aprender su significado. Una correcta interpretación de estos símbolos le permitirá utilizar mejor y de manera más segura la herramienta.

SÍMBOLO	NOMBRE	DENOMINACIÓN/EXPLICACIÓN
	Alerta de seguridad	Indica un peligro posible de lesiones personales.
	Lea el manual del operador	Para reducir el riesgo de lesiones, el usuario debe leer y comprender el manual del operador antes de usar este producto.
	Protección ocular	Siempre póngase protección ocular con protección lateral con la marca de cumplimiento de la norma ANSI Z87.1.
	Símbolo de no acercar las manos	Si no mantiene las manos alejadas de la hoja de corte, se causará serias lesiones corporales.
	Alerta de condiciones húmedas	No exponga la unidad a la lluvia ni la use en lugares húmedos.
	Luz sumamente brillante	Este producto utiliza luces LED sumamente brillantes. Para evitar lesiones serias a la vista, no mirar de frente el rayo de luz (aunque se encuentre lejos).
V	Volts	Voltaje
A	Amperes	Corriente
Hz	Hertz	Frecuencia (ciclos por segundo)
min	Minutos	Tiempo
~	Corriente alterna	Tipo de corriente
$n_0$	Velocidad en vacío	Velocidad de rotación, en vacío
	Fabricación Clase II	Fabricación con doble aislamiento
.../min	Por minuto	Revoluciones, carreras, velocidad superficial, órbitas, etc., por minuto



# ASPECTOS ELÉCTRICOS

## DOBLE AISLAMIENTO

El doble aislamiento es una característica de seguridad de las herramientas eléctricas, la cual elimina la necesidad de usar el típico cordón eléctrico de tres conductores con conexión a tierra. Todas las partes metálicas expuestas están aisladas de los componentes metálicos internos del motor por medio de aislamiento de protección. No es necesario conectar a tierra las herramientas con doble aislamiento.

### ADVERTENCIA:

El sistema de doble aislamiento está destinado para proteger al usuario contra las descargas eléctricas resultantes de la ruptura del cableado interno de la herramienta. Observe todas las precauciones de seguridad para evitar descargas eléctricas.

**NOTA:** El mantenimiento de una herramienta con doble aislamiento requiere sumo cuidado y conocimiento del sistema, y únicamente deben realizarlo técnicos de servicio calificados. Para el servicio de la herramienta, le sugerimos llevarla al centro de servicio autorizado más cercano para toda reparación. Siempre utilice piezas de repuesto de la fábrica original al dar servicio a la unidad.

## CONEXIÓN ELÉCTRICA

Esta herramienta dispone de un motor eléctrico fabricado con precisión. Debe conectarse únicamente a **un suministro de voltaje de 120 V, corriente alterna solamente (corriente normal para uso doméstico), 60 Hz.** No utilice esta herramienta con corriente continua (c.c.). Una caída considerable de voltaje causa una pérdida de potencia y el recalentamiento del motor. Si la herramienta no funciona al conectarla en una toma de corriente, vuelva a verificar el suministro de voltaje.

## CORDONES DE EXTENSIÓN

Al utilizar una herramienta eléctrica a una distancia considerable de la fuente de voltaje, asegúrese de utilizar un cordón de extensión con la suficiente capacidad para soportar la corriente de consumo de la herramienta. Un cordón de un calibre insuficiente causa una caída en el

voltaje de línea, la cual a su vez produce recalentamiento y pérdida de potencia. Básese en la tabla suministrada para determinar el grueso mínimo requerido del cordón de extensión. Solamente deben utilizarse cordones con forro redondo registrados en Underwriter's Laboratories (UL).

Al trabajar a la intemperie con una herramienta, utilice un cordón de extensión fabricado para uso en el exterior. Este tipo de cordón lleva las letras "WA" o "W" en el forro.

Antes de utilizar un cordón de extensión, inspecciónelo para ver si tiene conductores flojos o expuestos y aislamiento cortado o gastado.

\*\*Amperaje (aparece en la placa de datos de la herramienta)

Longitud del cordón	Calibre conductores (A.W.G.)					
	0-2,0	2,1-3,4	3,5-5,0	5,1-7,0	7,1-12,0	12,1-16,0
25'	16	16	16	16	14	14
50'	16	16	16	14	14	12
100'	16	16	14	12	10	—

\*\*Se usa en los circuitos de calibre 12, de 20 amperes.

**NOTA:** A.W.G. = American Wire Gauge

### ADVERTENCIA:

Mantenga el cordón de extensión fuera del área de trabajo. Al trabajar con una herramienta eléctrica, coloque el cordón de tal manera que no pueda enredarse en la madera, herramientas ni en otras obstrucciones. La inobservancia de esta advertencia puede causar lesiones serias.

### ADVERTENCIA:

Inspeccione los cordones de extensión cada vez antes de usarlos. Si están dañados reemplácelos de inmediato. Nunca utilice la herramienta con un cordón dañado, ya que si toca la parte dañada puede producirse una descarga eléctrica, y las consecuentes lesiones serias.

# GLOSARIO DE TÉRMINOS

---

## **Trinquetes anticontragolpe (sierras radiales y de mesa)**

Es un dispositivo, el cual, cuando se instala y da mantenimiento correctamente, sirve para detener la pieza de trabajo para no ser lanzada hacia atrás, hacia la parte frontal la sierra durante una operación de corte al hilo.

## **Árbol**

Es el eje donde se monta una hoja o herramienta de corte.

## **Corte en bisel**

Es una operación de corte efectuada con la hoja a un ángulo diferente de 90° con respecto a la superficie de la mesa.

## **Chaflán**

Es un corte efectuado para eliminar una cuña de un bloque de manera que el extremo (o una parte del mismo) quede a un ángulo diferente de 90°.

## **Corte combinado**

Es un corte transversal efectuado a inglete y a bisel.

## **Corte transversal**

Es una operación de corte o fresado efectuada a través de la fibra o ancho de la pieza de trabajo.

## **Cabeza de corte (cepillos normales y de juntas)**

Es una cabeza de corte giratoria con hojas o cuchillas ajustables. Las hojas o cuchillas eliminan material de la pieza de trabajo.

## **Corte de ranura (sierras de mesa y sierras ingleteadoras deslizantes combinadas)**

Un corte no pasante que produce una muesca cuadrada, de tres lados o en V en la pieza de trabajo.

## **Peine de sujeción (sierras de mesa)**

Es un dispositivo empleado como ayuda para controlar la pieza de trabajo guiándola con seguridad contra la mesa o la guía durante las operaciones de corte al hilo.

## **PPM o CPM**

Pies por minuto (o carreras por minuto), se emplea refiriéndose al movimiento de la hoja.

## **A pulso**

Es efectuar un corte sin guiar la pieza de trabajo con ninguna guía, guía de ingletes ni ningún otro medio.

## **Goma**

Es el residuo pegajoso de savia presente en la madera.

## **Talón**

Es la alineación de la hoja con respecto a la ranura de la guía de inglete.

## **Corte**

Es la cantidad de material eliminado por la hoja en un corte completo con traspaso, o en una ranura producida por la hoja en un corte sin traspaso o parcial.

## **Contragolpe**

Es un peligro que puede ocurrir cuando la hoja se atora o se atasca, y lanza la pieza de trabajo hacia atrás, en la dirección de la hoja giratoria.

## **Corte a inglete**

Es una operación de corte efectuada con la pieza de trabajo a un ángulo diferente de 90° con respecto a la hoja.

## **Cortes sin traspaso (sierras de mesa y sierras ingleteadoras deslizantes combinadas)**

Es cualquier operación de corte en la cual la hoja de corte no traspasa completamente el espesor de la pieza de trabajo.

Este es un corte en el cual la hoja no corta la pieza de trabajo en dos pedazos.

## **Agujero guía (taladradoras de columna y sierras caladoras)**

Es un agujero pequeño taladrado en una pieza de trabajo, el cual sirve como guía para taladrar con precisión agujeros más grandes o para la colocación de la hoja de la sierra caladora.

## **Bloques empujadores (para cepillos de juntas)**

Son dispositivos empleados para avanzar la pieza de trabajo por el cepillo de juntas durante cualquier operación. Este medio ayuda al operador a mantener las manos alejadas de la cabeza de corte.

## **Bloques y palos empujadores (para sierras de mesa)**

Son dispositivos empleados para avanzar la pieza de trabajo a través de la sierra durante operaciones de corte. Para las operaciones de cortes al hilo angostos debe emplearse un palo empujador (no un bloque empujador). Estos medios ayudan al operador a mantener las manos alejadas de la hoja de corte.

## **Rebaje**

Un corte no pasante ubicado en el extremo o borde de la pieza de trabajo que produce una muesca cuadrada, de dos lados o en V en la pieza de trabajo.

## **Reaserrado (sierras de mesa y sierras de banda)**

Es una operación de corte efectuada para reducir el espesor de la pieza de trabajo para hacer piezas más delgadas.

## **Resina**

Es la sustancia pegajosa a base de savia que se endurece.

## **Revoluciones por minuto (RPM)**

Es el número de vueltas realizadas por un objeto en movimiento de giro en un minuto.

## **Corte longitudinal o al hilo (sierras de mesa)**

Es una operación de corte paralela al largo de la pieza de trabajo y generalmente en la dirección del grano.

## **Cuchilla separadora/Abridor/Separador (sierras de mesa)**

Es una pieza metálica, levemente más delgada que la hoja, la cual se emplea para mantener abierto el corte y también ayuda a evitar un contragolpe.

## **Traectoria de la hoja de la sierra**

Es el área encima, abajo, detrás o delante de la hoja. En relación con la pieza de trabajo, es el área que será o ha sido cortada por la hoja.

## **Redondeo de aristas (cepillos)**

Es una depresión hecha en cualquiera de los dos extremos de una pieza de trabajo por las cuchillas de corte cuando no se proporciona un apoyo adecuado a la pieza de trabajo.

## **Cónico Corte**

Un corte donde el material para ser corte tiene una anchura diferente al principio del corte del el fin.

## **Aserrado con traspaso**

Es cualquier operación de corte en la cual la hoja de corte traspasa completamente el espesor de la pieza de trabajo. Este tipo de corte separa la pieza de trabajo simple en dos pedazos.

## **Pieza de trabajo o material**

Es la pieza a la que se efectúa la operación.

## **Mesa**

Es la superficie sobre la cual descansa la pieza de trabajo mientras se le efectúa una operación de corte, taladrado, cepillado o lijado.

# CARACTERÍSTICAS

## ESPECIFICACIONES DEL PRODUCTO

Diámetro de la hoja .....305 mm (12 pulg.)  
 Orificio del eje.....25,4 mm (1 pulg.)  
 Velocidad en vacío .....4 000/min. (RPM)  
 Corriente de entrada ..... 120 V, 60 Hz, C.A. solamente, 15 A  
 Capacidad de corte con inglete a 0°/bisel a 0°:  
 Tamaños máximos de la  
 madera: ..... 50,8 x 406,4 mm (2 pulg. x 16 pulg.) (nominal)  
 .....114,3 mm x 355,6 mm (4-1/2 pulg. x 14 pulg.) (real)  
 Capacidad de corte con inglete a 45°/bisel a 45°:  
 Tamaños nominales máximos  
 de la madera: .....50,8 x 304,8 mm, (2 pulg. x 12 pulg.)

Capacidad de corte con inglete a 0°/bisel a 45°:  
 Tamaños nominales máximos  
 de la madera: .....50,8 mm x 406,4 mm (2 pulg. x 16 pulg.)  
 Capacidad de corte con inglete a 45°/bisel a 45°:  
 Tamaños nominales máximos  
 de la madera: .....50,8 mm x 304,8 mm (2 pulg. x 12 pulg.)  
 Capacidad de la corona:  
 Encaje de corona  
 con inglete a 45°: ..... 190,5 mm (7-1/2 pulg.)  
 Encaje de corona  
 con inglete a 67,5°: ..... 168,3 mm (6-5/8 pulg.)

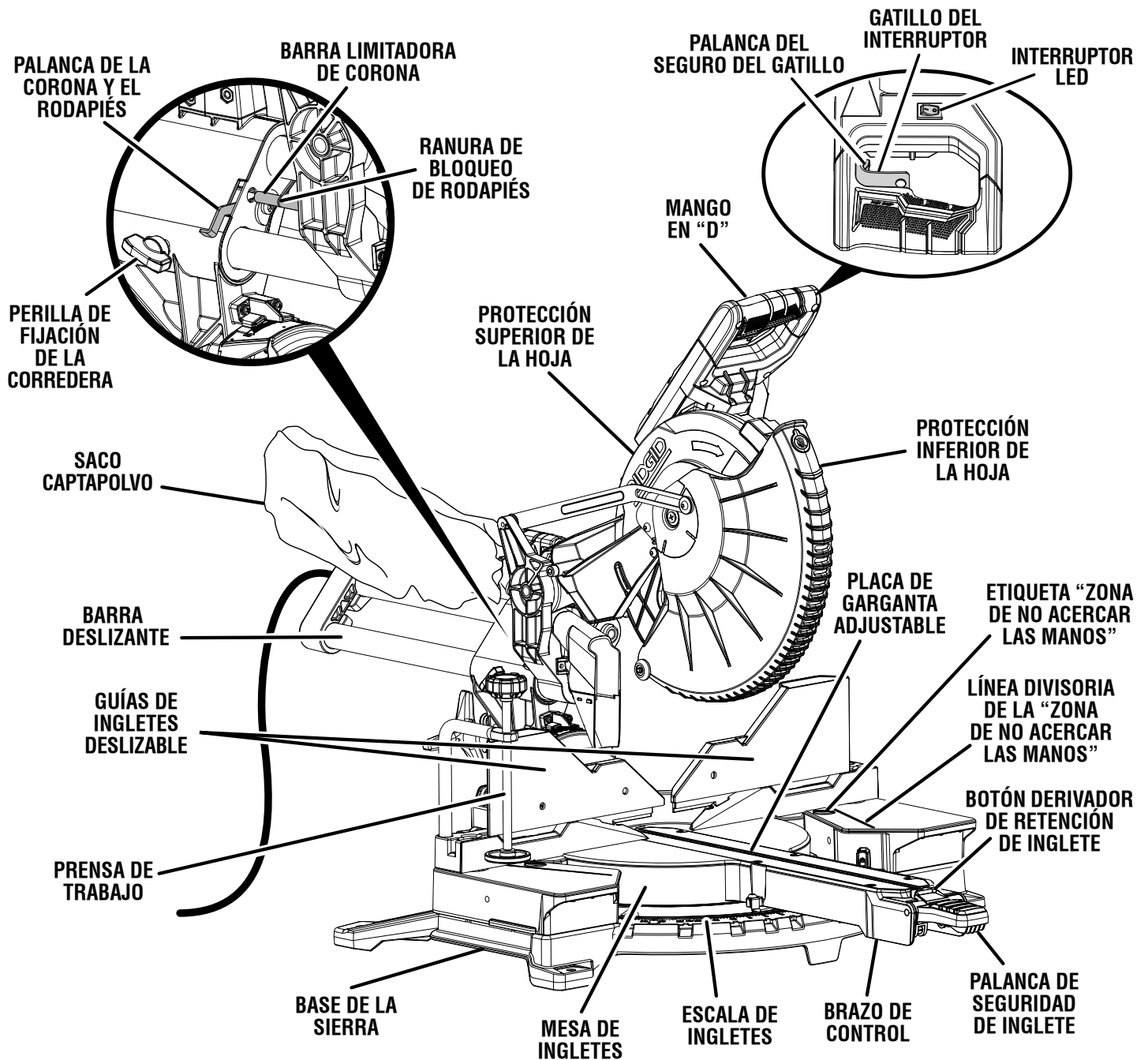


Fig. 1

# CARACTERÍSTICAS

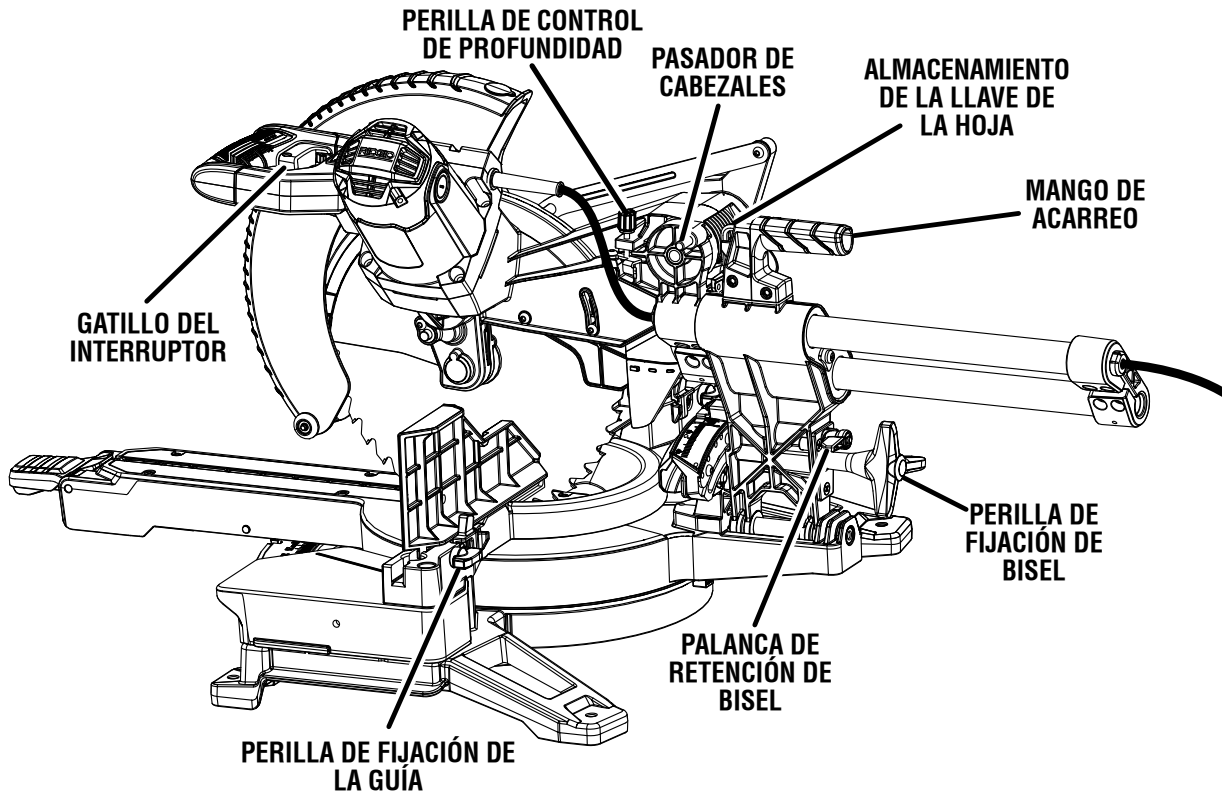


Fig. 2

## FAMILIARÍCESE CON LA SIERRA INGLETEADORA COMPUESTA

Vea las figuras 1 - 2.

El uso seguro que este producto requiere la comprensión de la información impresa en la herramienta y en el manual del operador así como ciertos conocimientos sobre el proyecto a realizar. Antes de usar este producto, familiarícese con todas las características de funcionamiento y normas de seguridad.

### HOJA DE 12 pulg. (305 mm)

Con la sierra ingleteadora combinada se incluye una hoja de corte de 305 mm (12 pulg.). Corta materiales hasta de 387,4 mm (15-1/4 pulg.) de ancho, según el ángulo al que se efectúe el corte.

### PALANCA DE RETENCIÓN DE BISEL

Vea la figura 3.

Afloje la perilla de fijación del bisel antes de usar la palanca de retención del bisel. Ajuste la perilla después de realizar la modificación para bloquear la sierra en su lugar.

**POSICIÓN 1: (Retención desactivada)** Permite que la hoja se incline libremente hacia la izquierda o hacia la derecha para la selección personalizada de cortes de bisel.

**POSICIÓN 2: (Retención activada)** Permite encontrar fácilmente 0°, 15°, 22.5°, 33.9°, and 45° en topes graduados.

### PERILLA DE FIJACIÓN DE BISEL

Vea la figura 3.

La perilla de seguridad del bisel asegura su sierra ingleteadora combinada en los ángulos de bisel deseados. Afloje la perilla de seguridad del bisel para soltar la sierra permitiendo que la hoja se incline hacia la izquierda o la derecha para cortes de bisel. Ajuste la perilla para asegurar la sierra en su lugar.

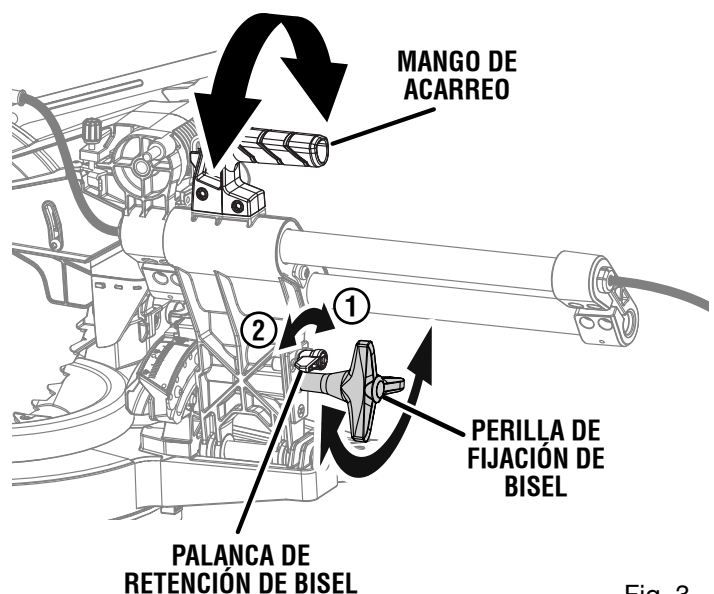


Fig. 3

# CARACTERÍSTICAS

## MANGOS DE ACARREO

Vea la figura 4.

Por su conveniencia, al transportar la sierra de inglete de un lugar a otro, se proporciona un mango de transporte en la parte superior de la sierra junto con mangos a cada uno de los lados de la base de la sierra. Para transportar la sierra, apáguela y desconéctela, apriete firmemente la perilla de fijación de la guía telescópica, después baje el brazo de la sierra y asegúrelo en la posición inferior. El brazo se fija oprimiendo el pasador de seguridad.

**NOTA:** NO realice ninguna operación de corte con la sierra en la posición de fijación.

## PERILLA DE CONTROL DE PROFUNDIDAD

Vea la figura 4.

La perilla de control de profundidad es una guía para limitar el movimiento hacia abajo del brazo de la sierra.

## PALANCA DE CONFIGURACIÓN DE CORONA Y RODAPIÉS

La palanca de configuración de corona y rodapiés sirve para hacer cortes de inglete de entre 45° a la derecha y 45° a la izquierda para moldura de corona alta y rodapiés vertical.

## PASADOR DE CABEZALES

Vea la figura 4.

El pasador de bloqueo de la cabeza se utiliza para bloquear el brazo de la sierra en la posición baja.

## FRENO ELÉCTRICO

Hay un freno eléctrico para detener rápidamente el giro de la hoja después de soltarse el gatillo del interruptor.

## MAYOR CAPACIDAD DE INGLETE

Vea la figura 5.

Las mesas de extensión giratorias permiten cortes de ingletes de hasta 70°.

## SISTEMA DE ILUMINACIÓN LED

El LED proyecta una sombra del diente de la hoja en la pieza de trabajo para realizar cortes de precisión y predice el corte de la hoja para la línea de corte.

## PALANCA DE SEGURIDAD DE INGLETE

Vea la figura 5.

La palanca de seguridad de inglete asegura la sierra en el ángulo de inglete deseado. Apriete la palanca hacia abajo para asegurar la sierra en el lugar. Para soltar la sierra, levante la palanca de seguridad de inglete y baje el botón derivador de retención de inglete.

## ESCALA DE INGLETES

La escala de ingletes tiene topes graduados a 0°, 15°, 22.5°, 31.6°, 45°, 60°, y 67.5° están a ambos lados, izquierdo y derecho, de la mesa de ingletes.

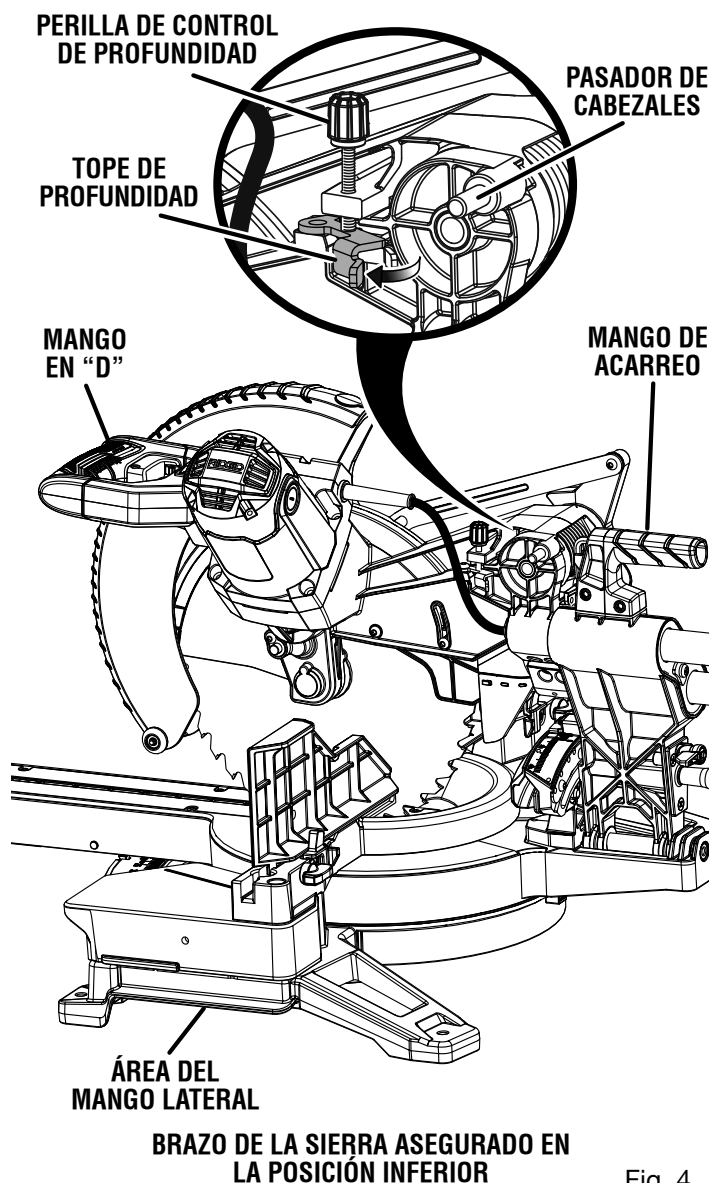


Fig. 4

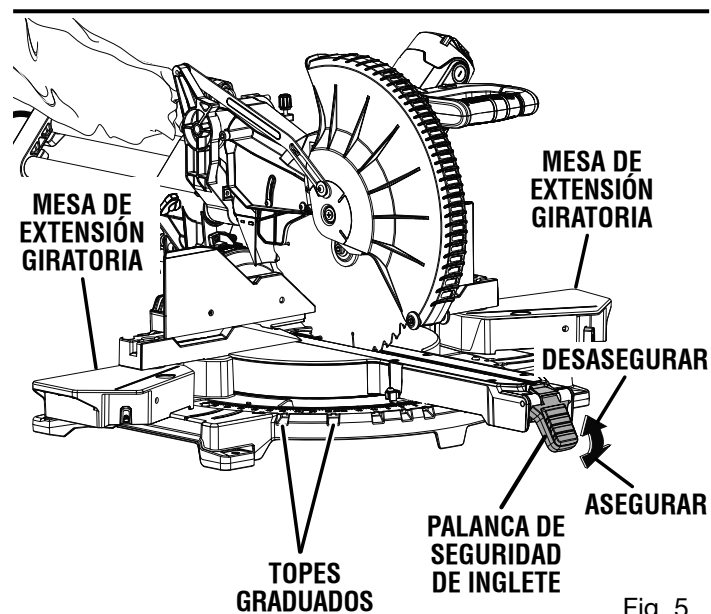


Fig. 5

# CARACTERÍSTICAS

## PROTECCIÓN INFERIOR AUTORRETRAÍBLE DE LA HOJA

La protección inferior de la hoja está hecha de plástico transparente resistente a impactos que proporciona protección a cada lado de la hoja. Se retrae por encima de la protección superior a medida que se baja la hoja hacia la pieza de trabajo.

## GUÍAS TELESCÓPICA

Cuando está destrabado, el brazo de la sierra se desliza hacia delante y hacia atrás a lo largo de la guías telescópica para hacer cortes de diferente ancho.

## PERILLA DE FIJACIÓN DE LA CORREDERA

La perilla de fijación de la corredera traba y destraba la función de deslizamiento de esta herramienta.

## GUÍAS DE INGLETES DESLIZANTES

Vea la figura 6.

Las guías de ingletes deslizantes incluidas con esta sierra ayudan a sujetar la pieza de trabajo durante la mayoría de los cortes. La función de deslizamiento permite separar la hoja de corte al realizar cortes de inglete o de bisel. Algunos cortes pueden requerir la extracción completa de la guía deslizante para evitar que haga contacto con la hoja.

Afloje el tornillo de las guías antes de deslizarlas o levantarlas para su extracción. Una vez que haya determinado la posición correcta de la guía, vuelva a apretar firmemente su tornillo.

## BOTÓN DEL SEGURO DEL HUSILLO

Vea la figura 6.

El husillo cuenta con un seguro de botón para inmovilizarlo, con el fin de impedir el giro de la hoja de la sierra. Débrancher la scie. Oprima y no suelte el botón del seguro del husillo sólo mientras instala, cambia o desmonta la hoja.

## GATILLO DEL INTERRUPTOR

Vea la figura 6.

La sierra no funcionará hasta que oprima el palanca del seguro del interruptor y luego oprima el gatillo. Para evitar el uso no autorizado de la sierra ingleteadora combinada, desconéctela del suministro de corriente y asegurar el interruptor en la posición de **APAGADO**. Para asegurar el interruptor, coloque un candado (no viene incluido) a través del agujero del gatillo del interruptor y asegúrese de que el interruptor no pueda ser accionado. Si el interruptor puede ser accionado aun habiendo instalado el candado, se debe usar un candado con un diámetro de grillete mayor. Guarde la llave del candado en otro lugar.

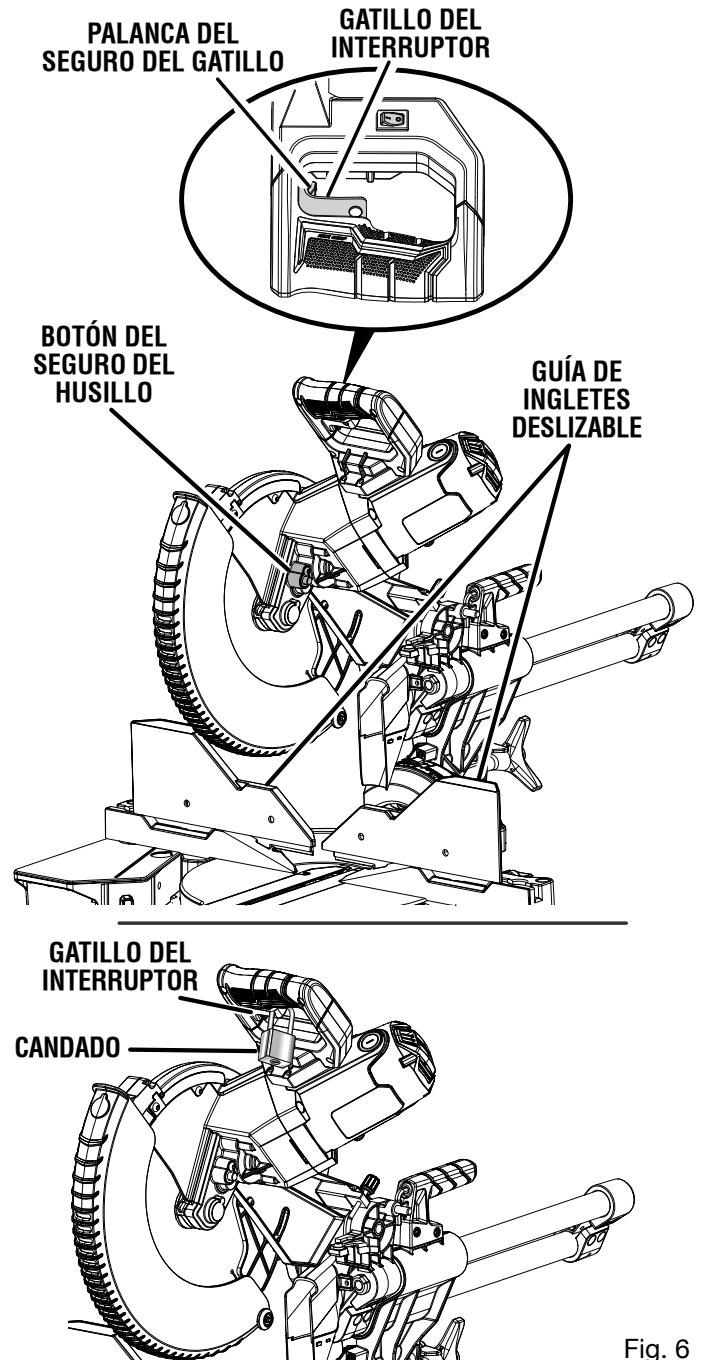


Fig. 6

# HERRAMIENTAS NECESARIAS

Se necesitan las siguientes herramientas (no vienen incluidas) para efectuar ajustes o instalar la hoja:

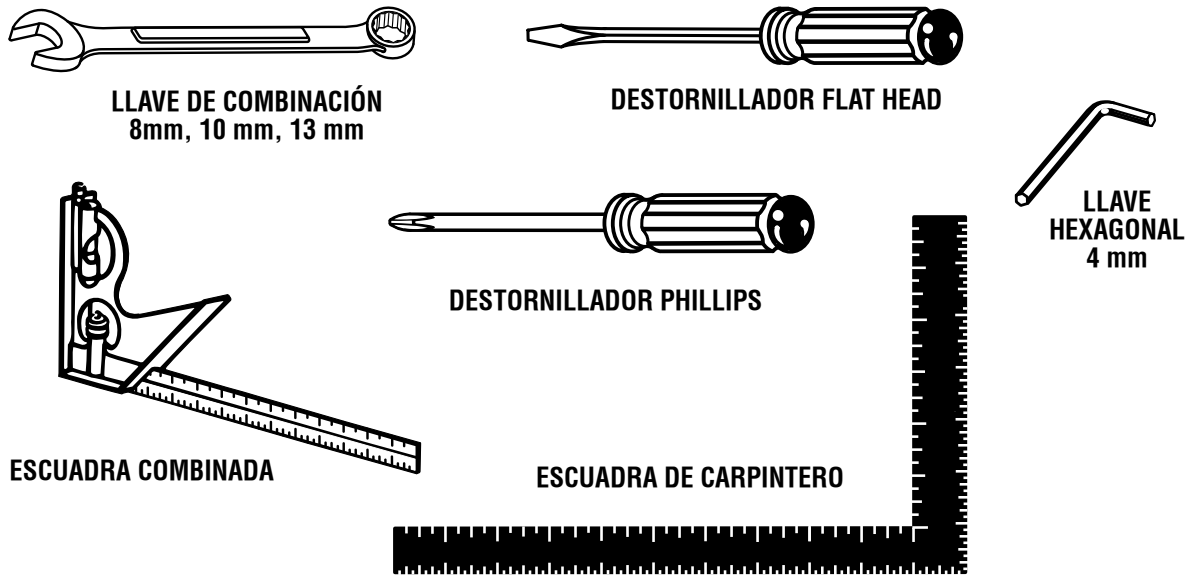


Fig. 7

# PIEZAS SUELTAS

Los siguientes artículos vienen incluidos con la sierra ingleteadora:

- Saco captapolvo y conjunto de bastidor
- Prensa de trabajo
- Hoja
- Llave de hoja/Llave Hex.
- Guía de ingletes deslizable
- Manual del operador (no se muestra)

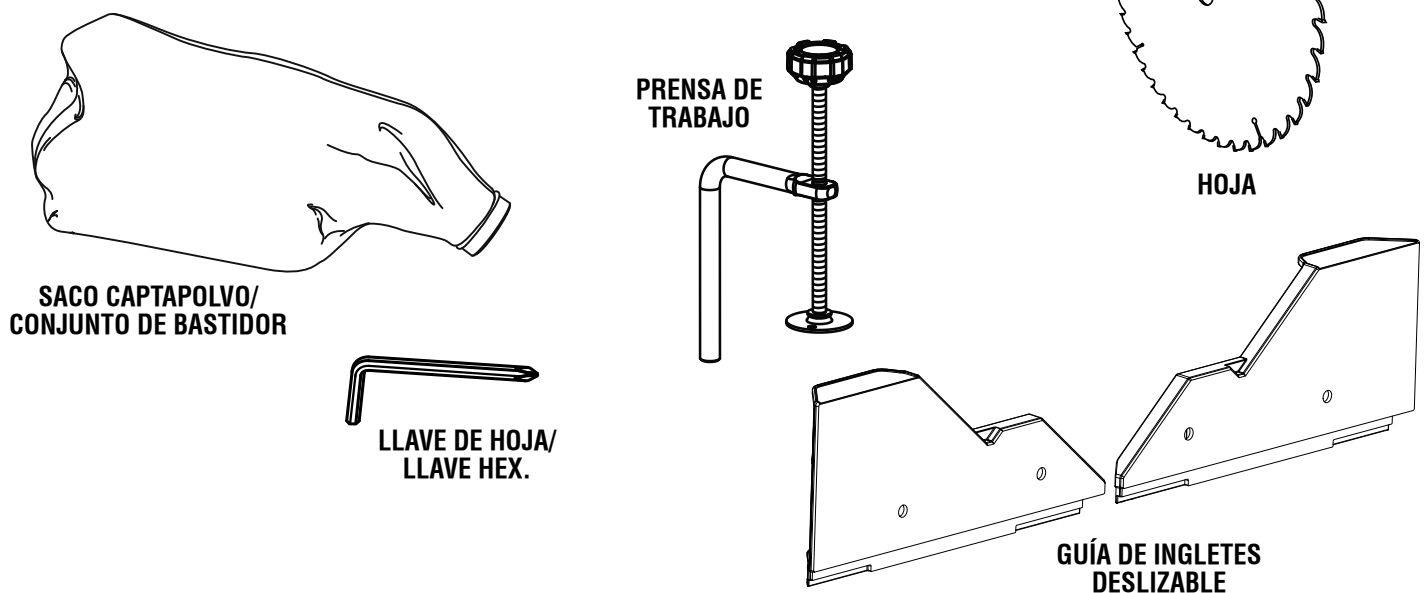


Fig. 8

## ⚠ ADVERTENCIA:

El empleo de aditamentos o accesorios no enumerados podría ser peligroso y causar graves lesiones corporales.

# ARMADO

## DESEMPAQUETADO

Este producto requiere armarse.

- Levante cuidadosamente de la caja la sierra sujetándola del mango de acarreo y de la base, y colóquela sobre una superficie de trabajo a nivel.

### **⚠ ADVERTENCIA:**

No utilice este producto si alguna pieza incluida en la lista de piezas sueltas ya está ensamblada al producto cuando lo desempaqueta. El fabricante no ensambla las piezas de esta lista en el producto. Éstas deben ser instaladas por el usuario. El uso de un producto que puede haber sido ensamblado de forma inadecuada podría causar lesiones personales graves.

- Embarcamos la sierra completamente armada, con el brazo de la misma asegurado en la posición inferior. Para liberar el brazo de la sierra, empuje hacia abajo por la parte superior, corte la amarra y extraiga el pasador de seguridad.

### **⚠ ADVERTENCIA:**

El brazo de la sierra se carga por resorte. Mantenga el mango hacia abajo para evitar que se suelte cuando corte la tira de amarre. La inobservancia de esta advertencia puede causar lesiones serias.

- Levante la sierra sujetándola del mango en "D". La presión de la mano debe permanecer en el brazo de la sierra para evitar un levantamiento súbito del mismo al soltarse la amarra.
- Corte la amarra en el extremo del barra deslizante. Deslice el cabezal de la sierra hacia su posición más trasera y ajuste la perilla de fijación de la corredera en forma segura.
- Inspeccione cuidadosamente la herramienta para asegurarse de que no haya sufrido ninguna rotura o daño durante el transporte.
- No deseche el material de empaquetado sin haber inspeccionado cuidadosamente la herramienta y haberla utilizado satisfactoriamente.

- La sierra viene ajustada desde la fábrica para realizar cortes exactos. Después de armarla verifique la exactitud de la misma. Si en el envío resultaron afectados los ajustes, consulte los procedimientos específicos explicados en este manual.
- Si hay piezas dañadas o faltantes, le suplicamos llamar al 1-866-539-1710, donde le brindaremos asistencia.

### **⚠ ADVERTENCIA:**

Si hay piezas dañadas o faltantes, no utilice esta producto sin haber reemplazado todas las piezas. Usar este producto con partes dañadas o faltantes puede causar lesiones serias al operador.

### **⚠ ADVERTENCIA:**

No intente modificar esta producto ni hacer accesorios no recomendados para la misma. Cualquier alteración o modificación constituye maltrato el cual puede causar una condición peligrosa, y como consecuencia posibles lesiones corporales serias.

### **⚠ ADVERTENCIA:**

No conecte la unidad al suministro de corriente antes de terminar de armarla. De lo contrario la unidad puede ponerse en marcha accidentalmente, con el consiguiente riesgo de lesiones serias.

### **⚠ ADVERTENCIA:**

No encienda la sierra ingleteadora combinada sin revisar para ver si hay interferencia entre la hoja y la guía de ingletes. Puede dañarse la hoja si toca la guía de ingletes durante el funcionamiento de la sierra.

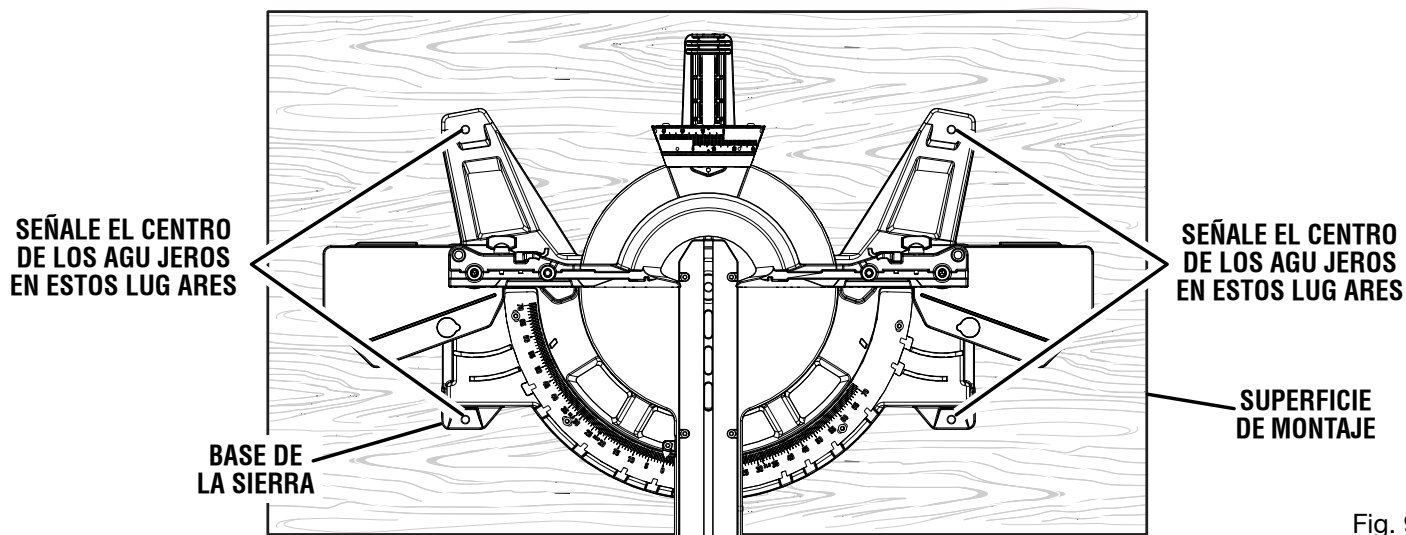


Fig. 9



# ARMADO

## **⚠ ADVERTENCIA:**

Esta sierra puede volcarse si se suelta súbitamente la cabeza de la misma y la sierra no está asegurada a una superficie de trabajo. SIEMPRE asegure esta sierra a una superficie de trabajo estable antes de usarla para evitar lesiones serias.

## **AGUJEROS DE MONTAJE**

Vea la figura 9.

## **⚠ ADVERTENCIA:**

Antes de iniciar cualquier operación de corte, sujete con prensa(s) o atornille la sierra ingleteadora al banco de trabajo o pedestal para sierra ingleteadora aprobado. Si se utiliza un pedestal para sierra ingleteadora, lea el manual del operador y siga las instrucciones del pedestal. NUNCA utilice la sierra ingleteadora en el piso o estando en cuclillas. La inobservancia de esta advertencia puede causar lesiones corporales serias.

La sierra ingleteadora compuesta debe montarse en una superficie de soporte firme, p. ej., un banco de trabajo, una plataforma de montaje o un pedestal de patas. La base de la sierra tiene cuatro orificios de montaje. Si se usan pernos o tornillos, deben tener la longitud suficiente para la base de la sierra, las arandelas de seguridad, las tuercas hexagonales y el grosor del banco de trabajo o de cualquier otra superficie del montaje. Apriete firmemente todos los pernos o tornillos.

En la figura 9 aparece el esquema de orificios para el montaje en un banco de trabajo. Revise cuidadosamente el banco de trabajo después de montar la unidad para asegurarse de que no se mueva durante el uso de la misma. Si el banco de trabajo se inclina, desliza o desplaza, asegúrelo al piso antes de utilizar la unidad.

## **INSTALACIÓN DE LA GUÍA DE INGLETES**

Vea la figura 10.

- Gire el tornillo de la guía en el sentido de las agujas del reloj, para despejar las ranuras de la guía fijas.
- Instale la guía de ingletes deslizante. Introduzca la guía en las ranuras de la guía. Asegúrese de que el borde de las líneas de la guía se alineen al ras con el borde de la guía fija.
- Ajuste el tornillo de la guía con firmeza. Repita el mismo procedimiento del otro lado.

## **SACO CAPTAPOLVO Y CONJUNTO DE BASTADOR**

Vea la figura 11.

Para instalar la bolsa para polvo y conjunto de bastidor, deslice el extremo abierto del bastidor en el orificio de escape.

Para el funcionamiento eficiente, vacíe la bolsa para polvo antes de que esté llena por la mitad. Esto permitirá un mejor flujo de aire a través de la bolsa.

### **GUÍA DE INGLETES DESLIZABLE**

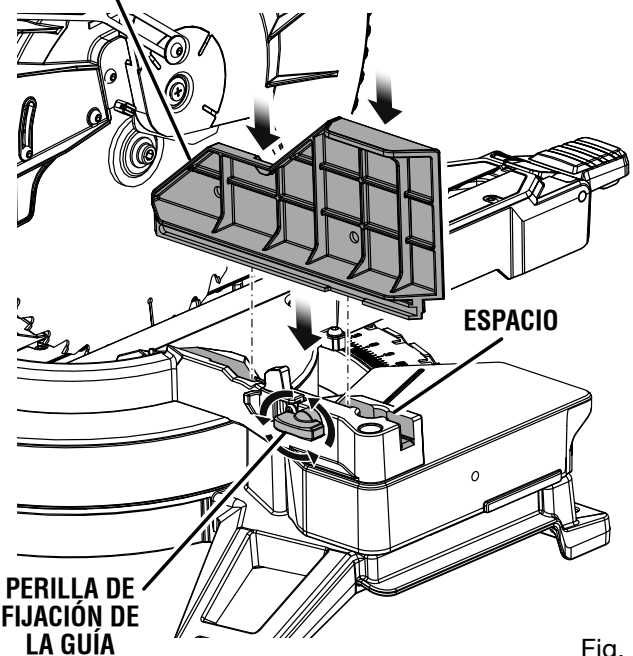


Fig. 10

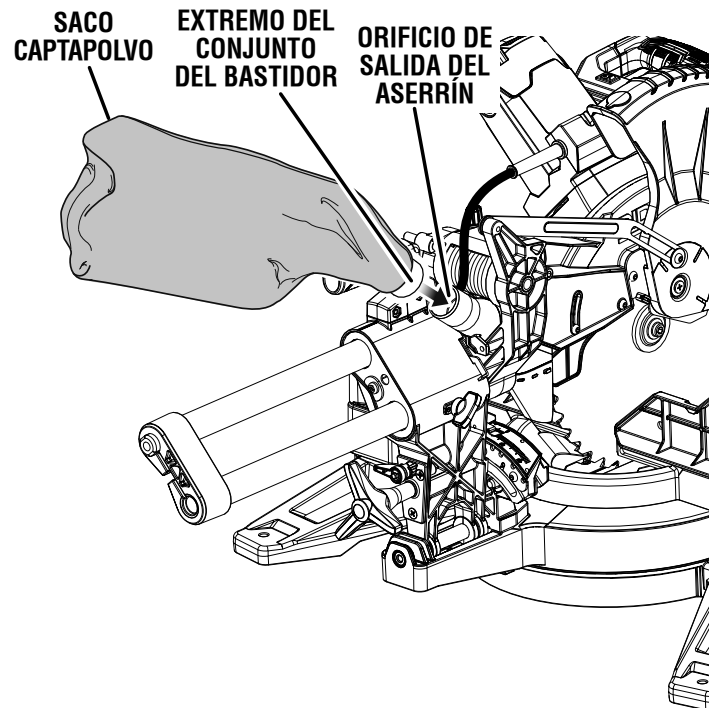


Fig. 11

# ARMADO

**NOTA:** El orificio de escape también acepta una manguera de aspiración de 31,8 mm (1-1/4 pulg.) y adaptadores para aspiradoras en húmedo/seco de 31,8 mm (1-1/4 pulg.).

## USO DE LA GUÍA DE PROFUNDIDAD

Vea la figura 12.

Su uso limita el descenso de la hoja durante cortes de ranura y demás tipos de corte no pasante.

### Para usar el tope de profundidad:

- Desconecte la sierra
- Gire el tope de profundidad hacia afuera.
- Con el extremo de la perilla de control de profundidad que tocas el tope de profundidad, ajuste el perilla de control de profundidad girando el tope de profundidad hasta que la profundidad deseada del corte se alcance.
- Debe colocarse un espaciador de madera entre la pieza de trabajo y la guía para crear una distancia de 63,5 mm (2-1/2 pulgadas) entre la pieza de trabajo y la guía y lograr así una profundidad de corte consistente en la pieza de trabajo. Utilice la prensa de trabajo para sujetar el espaciador y otra prensa adecuada para sujetar la pieza de trabajo. Realice el corte deslizante a la profundidad deseada. *Vea las figuras 41 y 42.*
- Gire el tope de profundidad hacia el alojamiento del motor para cortes normales no pasantes.

**NOTA:** El tope de profundidad debe empujarse hacia el alojamiento del motor antes de bloquear/desbloquear el brazo de la sierra.

## PROCEDIMIENTO DE TRABA Y DESTABA EL BRAZO DE LA SIERRA

Vea la figura 12.

Cuando bloquee y desbloquee el brazo de la sierra, no es necesario aflojar la perilla de control de profundidad.

### Para destrabar y levantar el brazo de la sierra:

- Sujete firmemente el mango en "D" y presione hacia abajo mientras tira de la pasador de cabezales hacia afuera, separándola de la carcasa de la sierra.
- Suelte la pasador de seguridad y levante lentamente el brazo de la sierra.

### Para volver a trabar el brazo de la sierra:

- Agarre firmemente el mango "D" y aplique presión hacia abajo mientras, al mismo tiempo, empuja el pasador de cabezales hacia el alojamiento de la sierra.
- Libere el pasador de seguro permitiendo que fije a la sierra en su lugar.

## LLAVE DE LA HOJA

Vea la figura 13.

Esta sierra incluye una llave para la hoja. Un extremo de la llave es un destornillador Phillips y el otro una llave hexagonal. La llave hexagonal sirve para montar o desmontar la hoja de corte y el extremo de destornillador Phillips sirve para retirar o aflojar tornillos. En la parte frontal del mango de acarreo, está ubicada el área de almacenamiento de la llave de la hoja.

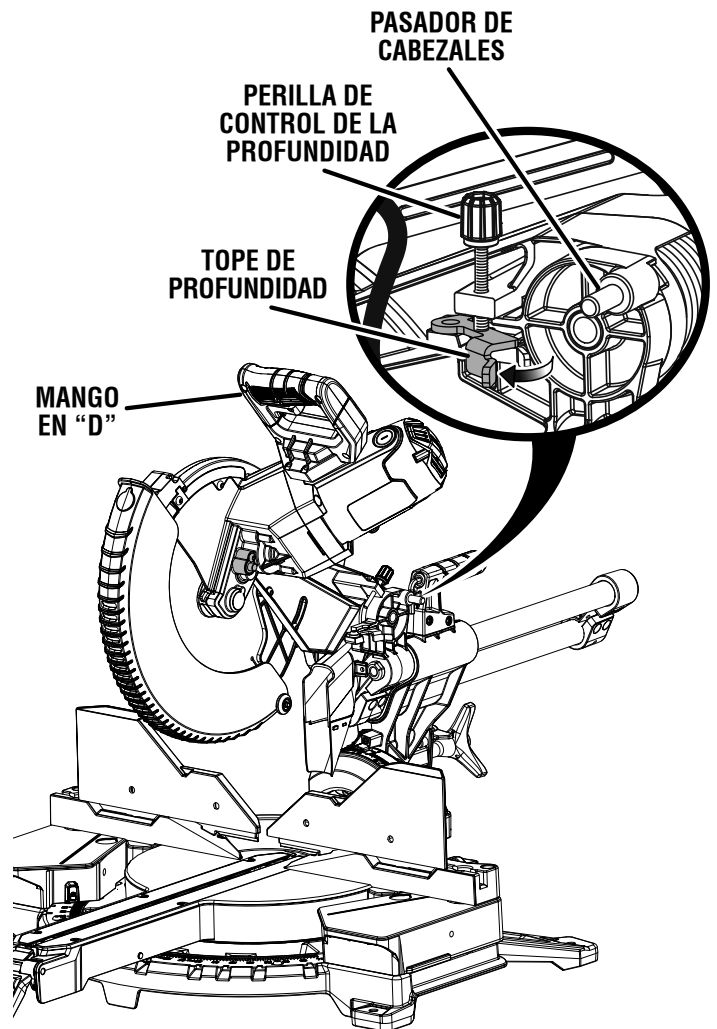


Fig. 12

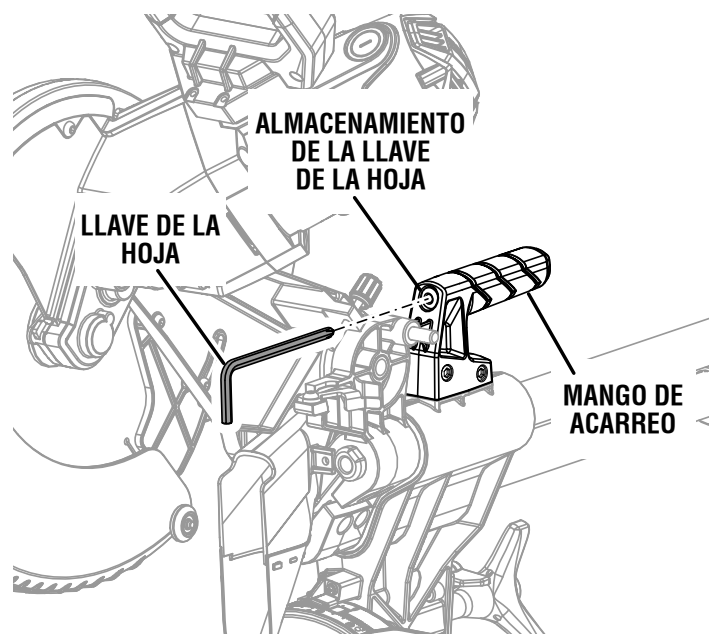


Fig. 13

# ARMADO

## PARA INSTALAR O REEMPLAZAR LA HOJA

Vea la figura 14.

### **ADVERTENCIA:**

La sierra tiene capacidad para hojas hasta de un diámetro de 305 mm (12 pulg.). Nunca utilice una hoja tan gruesa que la arandela exterior de la hoja no se enganche en las partes planas del árbol. Las hojas más grandes tocan las protecciones de la hoja, y las más gruesas impiden asegurarlas con el perno de la hoja en el árbol. Cualquiera de estas dos situaciones puede producir un accidente serio, con las consiguientes lesiones corporales serias.

- Desconecte la sierra.
- Suba el brazo de la sierra.
- Gire el protección inferior de la hoja hacia arriba y hacia atrás para exponer el perno de la hoja.
- Oprima el botón de bloqueo del husillo y gire el perno de la hoja hasta que se bloquee el husillo.
- Utilizando el extremo hexagonal de la llave de hoja, afloje y retire el perno de la hoja del árbol.  
**NOTA:** El perno de la hoja tiene roscas a la izquierda. Gire el perno de la hoja a la derecha para aflojarlo.
- Retire la arandela exterior de la hoja. **No** retire el aro o la arandela interior de la hoja.
- Coloque una gota de aceite en el aro y en la arandela exterior de la hoja en el lugar donde tocan la hoja.

### **ADVERTENCIA:**

Si se ha sacado el aro y/o arandela interior de la hoja, instálela nuevamente antes de colocar la hoja en el husillo. De lo contrario puede causar un accidente pues la hoja no quedará debidamente apretada.

- Coloque la hoja de la sierra dentro del protector superior de la hoja, sobre el diámetro exterior del anillo y contra la arandela interior de la hoja. Los dientes de la sierra apuntan hacia abajo en la parte delantera de la sierra, como se muestra en la figura 14.
- Vuelva a colocar la arandela exterior. Las caras planas dobles en "D" de las arandelas de la hoja se alinean con las caras planas del husillo.
- Oprima el botón de bloqueo del husillo y vuelva a colocar el perno de la hoja.  
**NOTA:** El perno de la hoja tiene roscas a la izquierda. Gire el perno de la hoja a la izquierda para apretar.

### **PRECAUCIÓN:**

Siempre instale la hoja con los dientes y la flecha impresa en el lado de la hoja dirigidas hacia abajo en la parte delantera de la sierra. La dirección de rotación de la hoja también está estampada con una flecha en el protector superior de la hoja.

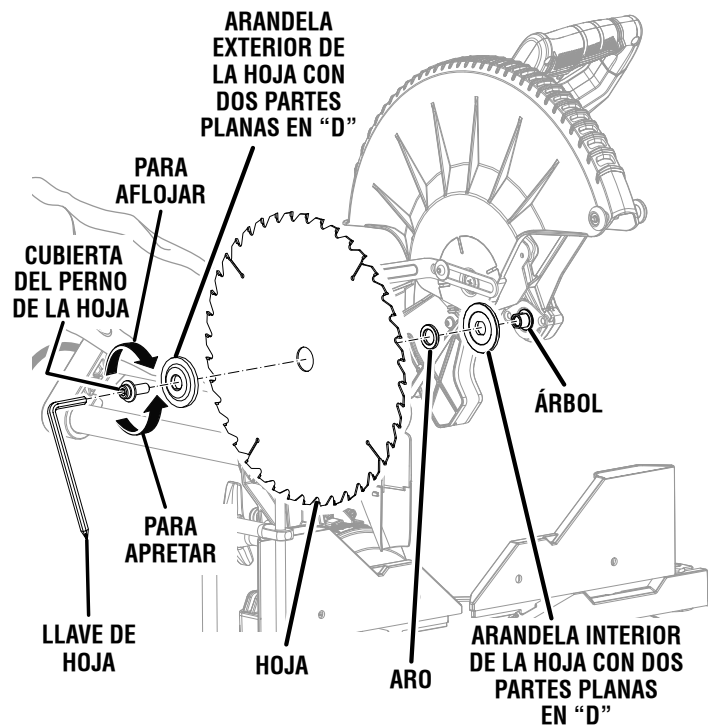
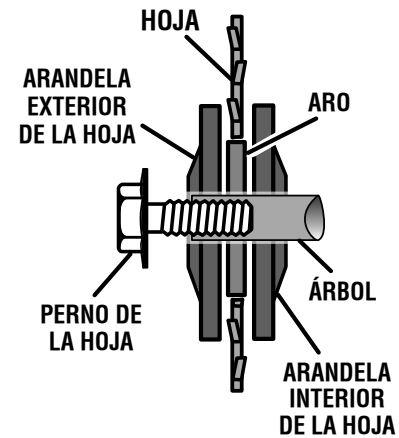


Fig. 14

- Apriete firmemente el perno de la hoja.
- Baje la protección de la hoja.
- Levante y baje el brazo de la sierra para asegurarse de que la protección inferior de la hoja funcione correctamente.

### **ADVERTENCIA:**

Asegúrese de que el botón del seguro del husillo no esté oprimido antes de volver a conectar la sierra al suministro de corriente. Nunca oprima el botón del seguro del husillo cuando esté girando la hoja.

# ARMADO

## AJUSTE/EXTRACCIÓN/REEMPLAZO DE LA PLACA DE GARGANTA AJUSTABLE

Vea la figura 15.

Al escuadrar la hoja de la sierra, puede ser necesario separar de la hoja la placa de garganta. Una vez que se haya confirmado la alineación de la sierra, devuelva la placa de garganta a su posición original. Nunca utilice la sierra sin la placa de garganta instalada.

### Para ajustar la placa de garganta:

**NOTA:** La placa de garganta puede ajustarse a (casi) cero distancia para soportar materiales finos.

- Desconecte la sierra.
  - Con la llave de hoja suministrada, afloje los tornillos que sujetan el lado derecho de la placa de garganta ajustable.
- NOTA:** Podría ser necesario ajustar la guía de inglete deslizante para acceder a los tornillos más cercanos a la hoja.
- Deslice el lado derecho de la placa de garganta ajustable más cerca o más lejos de la hoja.
  - Vuelva a apretar los tornillos, teniendo cuidado de no hacerlo excesivamente, lo cual podría combar o doblar la placa de garganta.
  - Repita los pasos anteriores para la instalación de la placa de garganta del lado izquierdo.

### Para quitar o volver a colocar la placa de garganta:

- Desconecte la sierra.
- Quite los tornillos que aseguran la placa de garganta.
- Extraiga la placa de garganta de la sierra.
- Para volver a colocar la placa de la hoja, alinee los orificios de la placa de garganta con los orificios de la base de la sierra.
- Vuelva a apretar los tornillos, teniendo cuidado de no hacerlo excesivamente, lo cual podría combar o doblar la placa de garganta.

## INSTALACIÓN DE LA PRENSA DE TRABAJO

Vea la figura 16.

### ADVERTENCIA:

En algunas tareas, el conjunto de la prensa de trabajo puede interferir con el movimiento del conjunto de protección de la hoja. Asegúrese siempre de que nada interfiera con el movimiento del protector de la hoja antes de comenzar cualquier tarea de corte, para reducir el riesgo de lesiones corporales graves.

La prensa de trabajo ofrece mayor control al prensar la pieza de trabajo contra la mesa de ingletes. También evita que la pieza de trabajo avance hacia la hoja de la sierra. Esto es muy útil al cortar ingletes compuestos. Según sea la tarea de corte y el tamaño de la pieza de trabajo, puede ser necesario usar una prensa de mano (en forma de "C") u otra prensa adecuada en lugar de la prensa de trabajo para asegurar la pieza antes de efectuar el corte. La prensa de trabajo puede instalarse y usarse a cualquier lado de la hoja de la sierra.

### Para instalar la prensa de trabajo:

- Sitúe el eje de la prensa de trabajo en uno de los orificios situados detrás de la guía de ingletes deslizante.
- Gire la perilla de la prensa de trabajo para subirla o bajarla, según sea necesario.

**NOTA:** En muchas de las ilustraciones de este manual se muestran sólo porciones de la sierra ingleteadora compuesta. Se hace así deliberadamente para mostrar con claridad lo que intentamos comunicar en las ilustraciones. **Nunca utilice la sierra sin todas las protecciones montadas en su lugar y en buen estado de funcionamiento.**

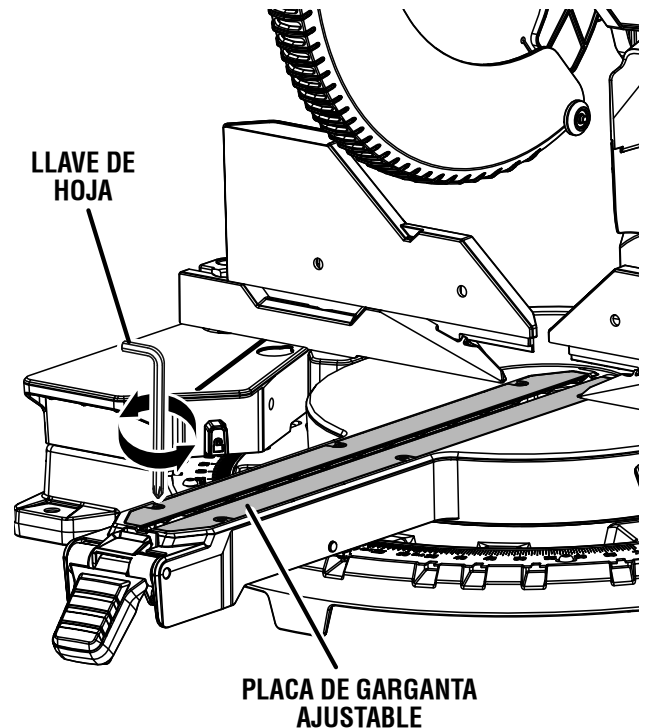


Fig. 15

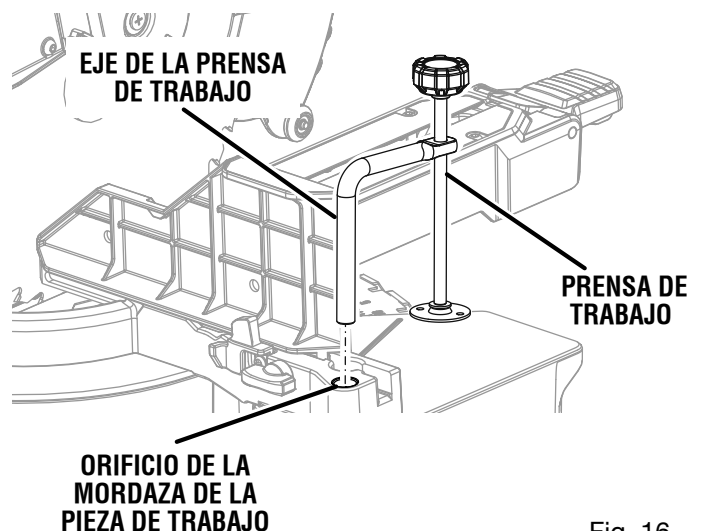


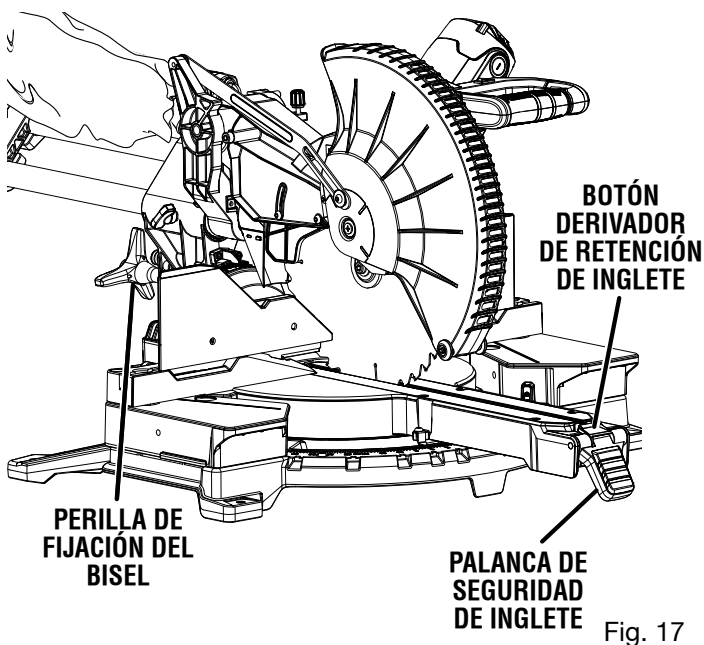
Fig. 16

# ARMADO

## ESCUADRADO DE LA HOJA DE LA SIERRA CON LA GUÍA

Vea la figuras 17 - 24.

- Desconecte la sierra.
  - Deslice el cabezal de la sierra hacia su posición más trasera y ajuste la perilla de fijación de la corredera en forma segura.
  - Empuje el brazo de la sierra hacia abajo y fíjelo en la posición de transporte.
  - Afloje la perilla de fijación del bisel y desenganche la palanca de retención del bisel.
  - Establezca la sierra en el ángulo de bisel de 0°, enganche la palanca de retención del bisel y asegúrese de que la sierra quede enganchada con el retén.
  - Apriete la perilla de fijación de bisel.
  - Levante la palanca de seguridad de inglete para desbloquear la mesa de ingletes.
  - Presione la palanca derivadora de retención de inglete hasta la mitad y gire el brazo de control hasta que la marca de la escala de ingletes quede en 0°.
  - Suelte el derivador de retención de ingletes y permita que la tabla de ingletes se fije en la posición de retención a 0°.
  - Presione la palanca de seguridad de inglete para bloquear la mesa de ingletes.
  - Coloque una escuadra de carpintero plana en la mesa de ingletes. Coloque una pata de la escuadra contra la guía fija. Deslice la otra pata de la escuadra con la parte plana de la hoja de la sierra.
- NOTA:** Asegúrese de que la escuadra esté en contacto con la parte plana de la hoja de la sierra, no con los dientes.
- El filo de la escuadra y la hoja de la sierra deberán estar en paralelo tal como se muestra en la figura 19.
  - Si el filo frontal o trasero de la hoja de la sierra se aleja de la escuadra como se muestra en las figuras 20 y 21, se necesitan realizar ajustes.



- Gire las mesas de extensión a la posición totalmente extendida. Consulte **Para efectuar cortes a inglete más adelante** en este manual.
- Levante la palanca de seguridad de inglete para desbloquear la mesa de ingletes.
- Presione el derivador de retención de inglete hasta escuchar un “clic”. Suelte para evitar la función de retención.
- Gire la mesa de ingletes hasta que el puntero se encuentre en la posición de 15° en la escala de ingletes.

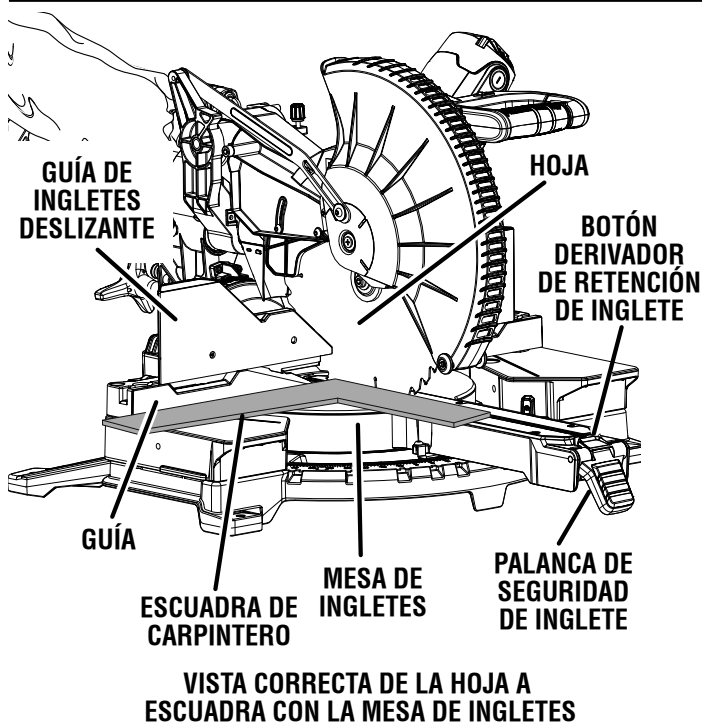
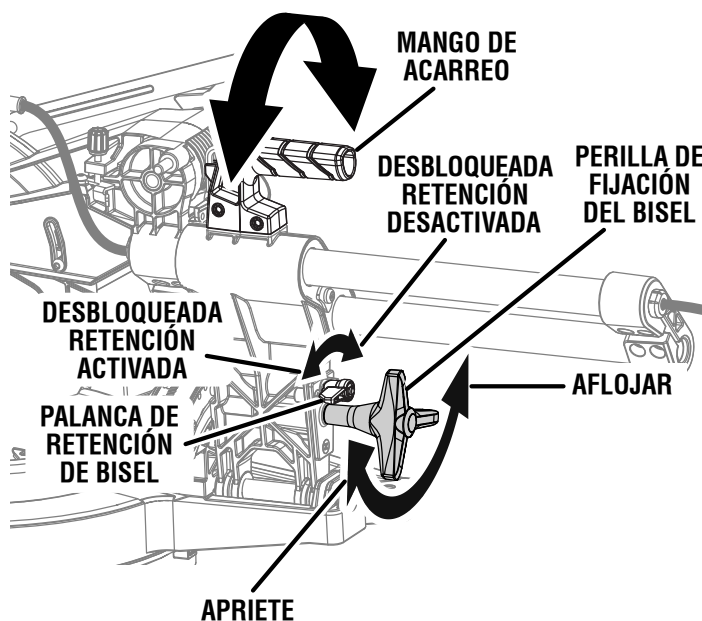


Fig. 19

# ARMADO

- Utilice una llave hexagonal de 4 mm, afloje los 5 tornillos que sostienen la escala de ingletes/placa de retención en su lugar.
- Gire la mesa de ingletes hasta que la hoja se encuentre paralela a la escuadra de carpintero.
- Presione la palanca de seguridad de inglete para bloquear la mesa de ingletes.
- Presione el derivador de retención de inglete hasta escuchar un "clic". Suelte para activar la función de retención.

- Gire la escala de ingletes a la posición de 0° en la escala de ingletes o hasta que la traba encastre en la placa de la traba.
- Ajuste los 4 tornillos visibles que aseguran la escala de ingletes/placa de retención.
- Levante la palanca de seguridad de inglete para desbloquear la mesa de ingletes.
- Presione el botón derivador de retención de ingletes hasta escuchar un "clic"; luego, gire la mesa de ingletes a la posición de 15° en la escala de ingletes.
- Ajuste los tornillos restantes que aseguran la escala de ingletes/placa de retención. Verifique la cuadratura de la hoja en la guía y reajústela si es necesario.

La scie présente plusieurs indicateur d'échelle. Une fois les réglages d'alignement effectués, il peut être nécessaire de desserrer les vis indicateur pour les régler à zéro. Voir les figures 23 et 24.

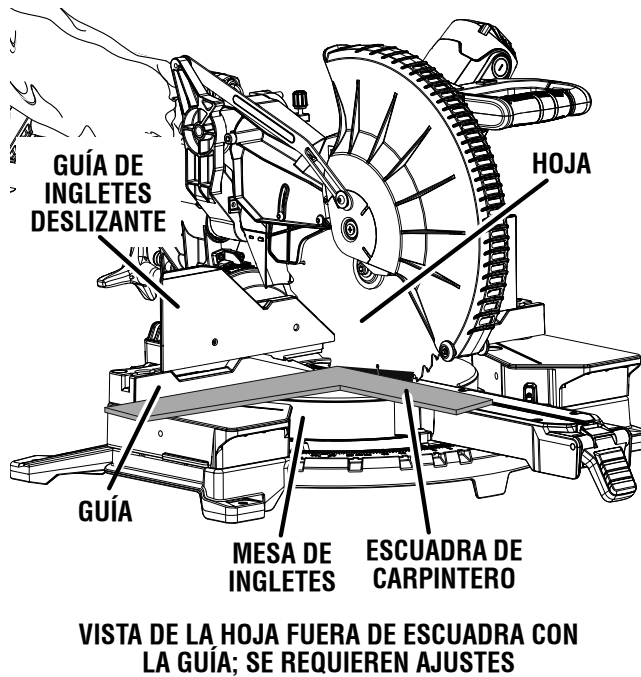


Fig. 20

## ESCALA DE INGLETES/PLACA DE RETENCIÓN

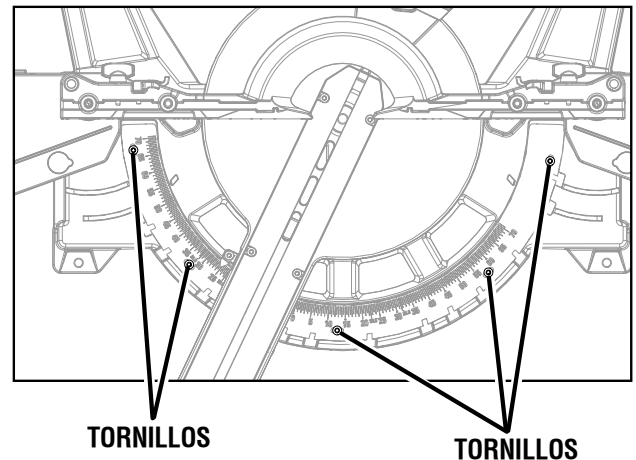


Fig. 22

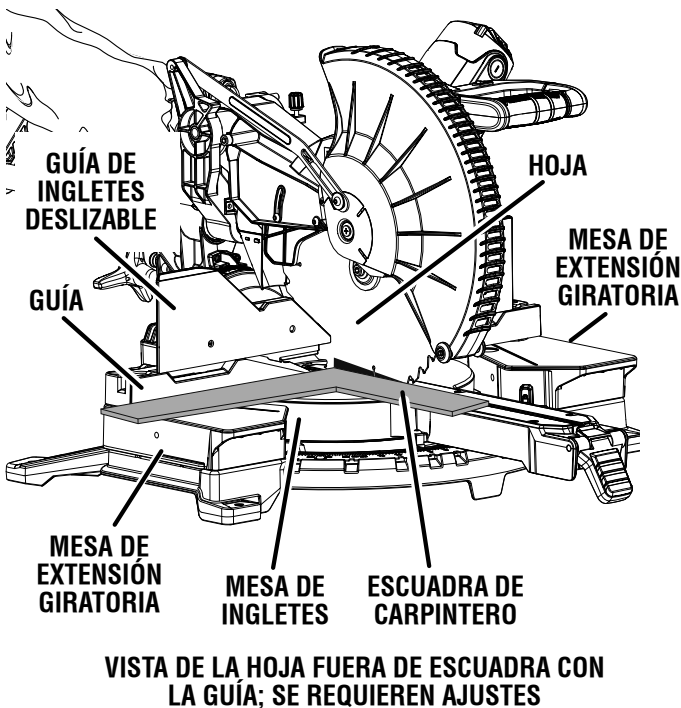


Fig. 21

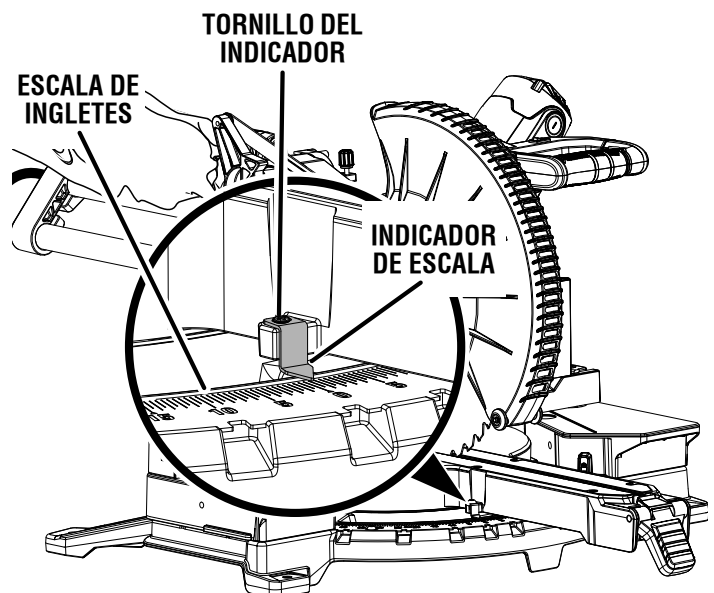


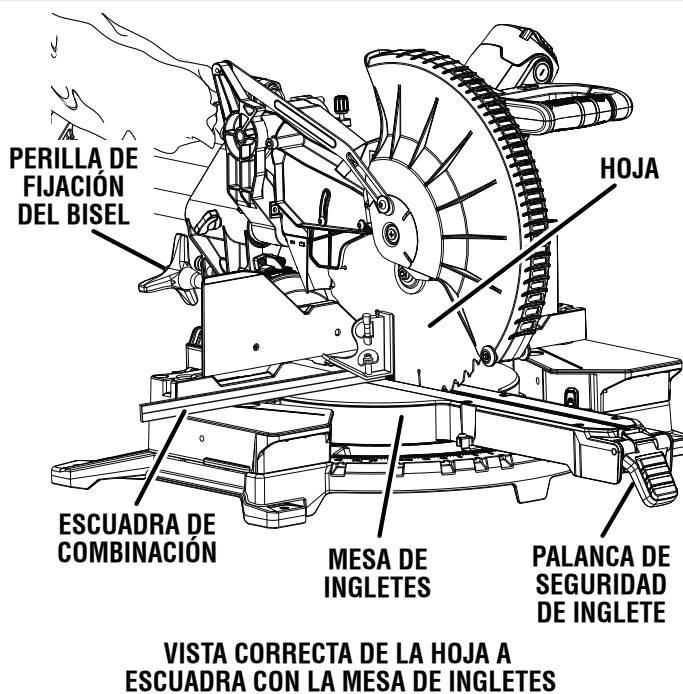
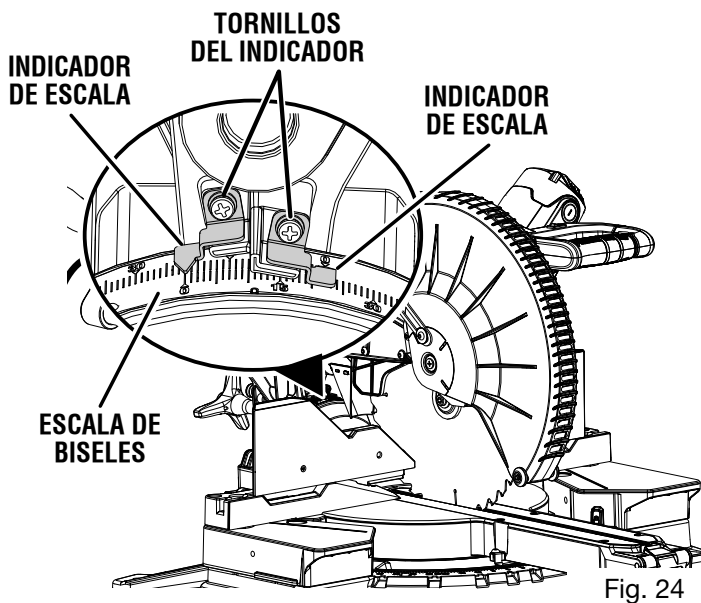
Fig. 23

# ARMADO

## ESCUADRADO DE LA HOJA CON LA MESA DE INGLETES

Vea las figuras 25 - 29.

- Desconecte la sierra.
- Deslice el cabezal de la sierra hacia su posición más trasera y ajuste la perilla de fijación de la corredera en forma segura.
- Empuje el brazo de la sierra hacia abajo y fíjelo en la posición de transporte.
- Levante la palanca de seguridad de inglete para desbloquear la mesa de ingletes.
- Presione el derivador de retención de ingletes a la mitad y gire el brazo de control hasta que el puntero de la escala de ingletes esté posicionado en 0°.



- Suelte el derivador de retención de ingletes y permita que la tabla de ingletes se fije en la posición de retención a 0°.
- Presione la palanca de seguridad de inglete para bloquear la mesa de ingletes.
- Afloje la perilla de fijación del bisel y desenganche la palanca de retención del bisel.

**NOTA:** Agarre de manera firme el mango en "D" mientras afloja la perilla de bloqueo del bisel para evitar que el cabezal de la sierra se mueva inesperadamente.

- Establezca la sierra en el ángulo de bisel de 0°, enganche la palanca de retención del bisel y asegúrese de que la sierra quede enganchada con el retén

- Apriete la perilla de fijación de bisel.

- Coloque una escuadra de combinación contra la mesa de ingletes y la parte plana de la hoja de la sierra.

**NOTA:** Asegúrese de que la escuadra esté en contacto con la parte plana de la hoja de la sierra, no con los dientes.

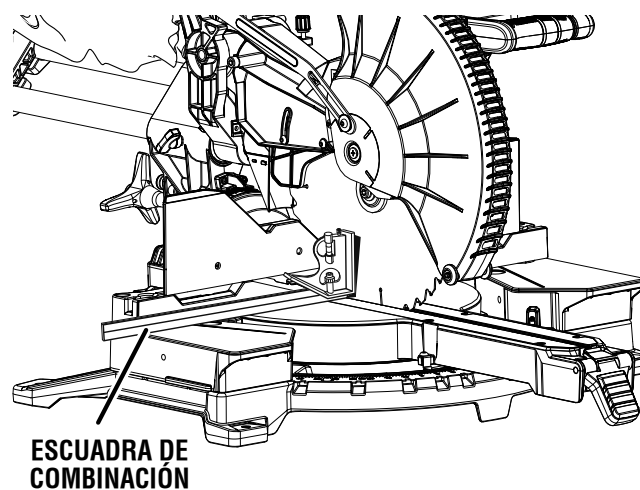


Fig. 26

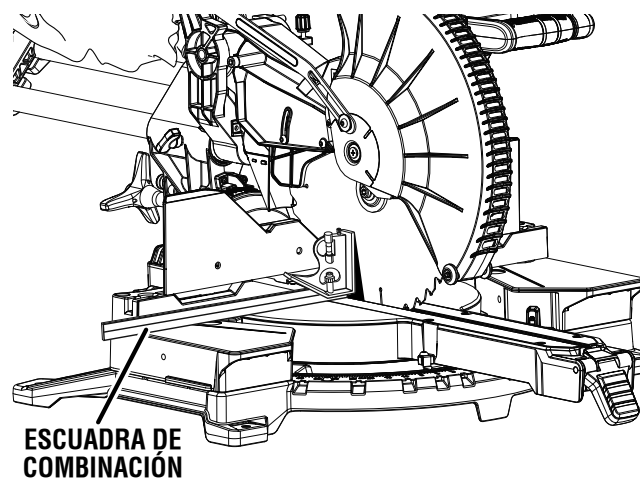


Fig. 27

# ARMADO

- Gire la hoja con la mano y verifique la alineación de la hoja con la mesa en varios puntos.
- El filo de la escuadra y la hoja de la sierra deberán estar en paralelo tal como se muestra en la figura 25.
- Si el filo frontal o trasero de la hoja de la sierra se aleja de la escuadra como se muestra en las figuras 26 y 27, se necesitan realizar ajustes.
- Quite la cubierta contra el polvo de bloqueo de bisel.
- Afloje la perilla de fijación del bisel y desenganche la palanca de retención del bisel.
- Establezca el bisel a cualquier ángulo que permita el acceso a los 4 tornillos en la parte trasera del soporte de seguridad de bisel.
- Apriete la perilla de fijación de bisel.
- Afloje los 4 tornillos que sostienen la placa de traba del bisel en su lugar con una llave hexagonal de 4 mm. No quite los tornillos.
- Afloje la perilla de fijación del bisel y desenganche la palanca de retención del bisel.
- Establezca la sierra en el ángulo de bisel de 0°, enganche la palanca de retención del bisel y asegúrese de que la sierra quede enganchada con el retén.
- Verifique que el ángulo sea de 0° utilizando una escuadra de combinación.
- Si se necesitan realizar ajustes, utilice una llave hexagonal de 4 mm para girar el tornillo de micro ajuste del soporte de seguridad de bisel para que la hoja se alinee con la escuadra.
- Apriete la perilla de fijación de bisel.
- Ajuste los 2 tornillos más extremos para retener la placa de retención de bisel.
- Afloje la perilla de fijación del bisel y desenganche la palanca de retención del bisel.
- Establezca el ángulo de bisel a 45°. Apriete la perilla de fijación de bisel.
- Ajuste los 2 tornillos restantes para retener la placa de retención de bisel.
- Reemplace la cubierta contra el polvo de bloqueo de bisel y ajuste los tornillos firmemente. Vuelva a comprobar la alineación de la hoja a la mesa.

La scie présente plusieurs indicateur d'échelle. Une fois les réglages d'alignement effectués, il peut être nécessaire de desserrer les vis indicateur pour les régler à zéro. Voir les figures 23 et 24.

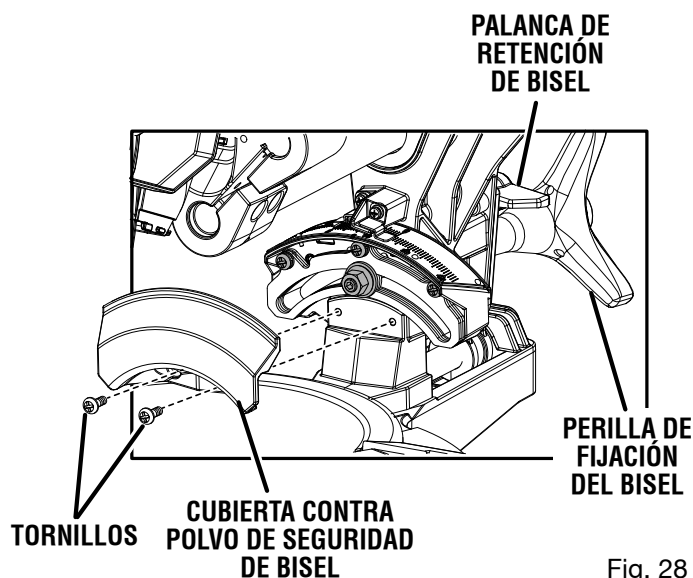
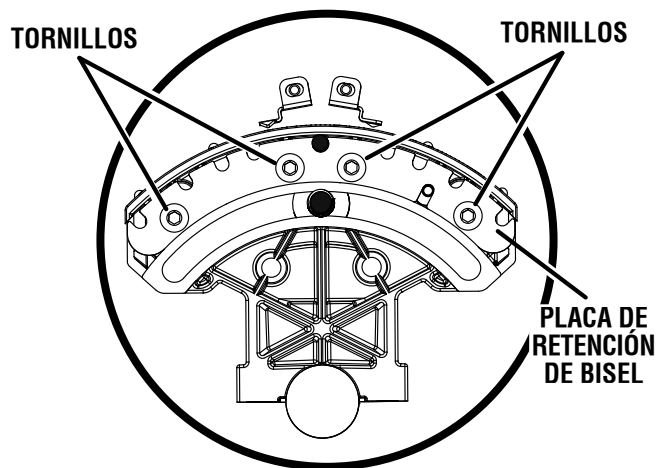


Fig. 28

## PARTE TRASERA DE SOPORTE DE FIJACIÓN DE BISSEL



## PARTE FRONTAL DE SOPORTE DE FIJACIÓN DE BISSEL

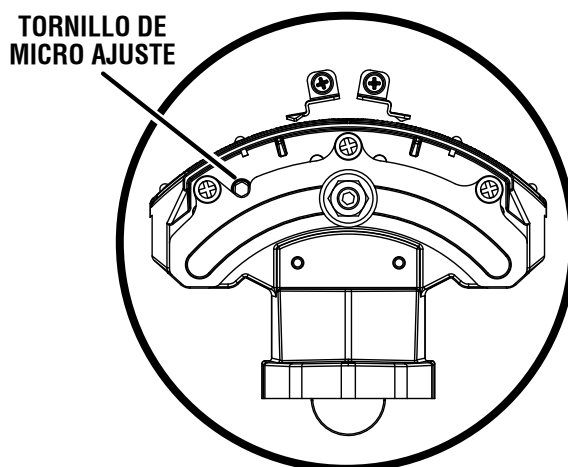


Fig. 29



# FUNCIONAMIENTO

---

## ADVERTENCIA:

No permita que su familiarización con las herramientas lo vuelva descuidado. Tenga presente que un descuido de un instante es suficiente para causar una lesión grave.

---

## ADVERTENCIA:

Siempre póngase protección ocular con la marca de cumplimiento de la norma ANSI Z87.1. Si no cumple esta advertencia, los objetos que salen despedidos pueden producirle lesiones serias en los ojos.

---

## ADVERTENCIA:

No utilice ningún aditamento o accesorio no recomendado por el fabricante de esta herramienta. El empleo de aditamentos o accesorios no recomendados podría causar lesiones serias.

---

## APPLICATIONS

Esta herramienta puede emplearse para los fines siguientes:

- Cortes transversales en madera y plástico (no corte artículos de metal, cerámica o mampostería)
- Cortes transversales a inglete, de uniones, etc., para marcos de cuadros, molduras, marcos de puertas y ensambladuras finas
- Cortes a bisel y cortes combinados
- Cortes transversales de piezas anchas de trabajo

**NOTA:** La hoja suministrada es adecuada para la mayoría de las operaciones de corte, pero para cortes de ensambladuras finas y en plástico, utilice una de las hojas de accesorio a la venta en el lugar de compra de su nueva sierra ingleteadora RIDGID®.

---

## ADVERTENCIA:

Antes de iniciar cualquier operación de corte, sujete con prensa(s) o atornille en el banco de trabajo la sierra ingleteadora combinada o pedestal de patas aprobado. Nunca utilice la sierra ingleteadora en el piso o estando en cuclillas. La inobservancia de esta advertencia puede causar lesiones serias.

---

## ADVERTENCIA:

Para evitar lesiones corporales serias, siempre presione la palanca de seguridad de inglete hacia abajo y perilla de fijación del bisel antes de efectuar un corte. De lo contrario podría producirse un movimiento del brazo de control o de la mesa de ingletes mientras se efectúa el corte.

---

## ADVERTENCIA:

Para evitar lesiones corporales serias, mantenga las manos fuera de la zona de no acercar las manos; por lo menos a 100 mm (4 pulg.) de la hoja. Nunca efectúe a pulso ninguna operación de corte (sin asegurar la pieza de trabajo contra la guía). La hoja podría coger la pieza de trabajo si se resbala o tuerce.

---

## ADVERTENCIA:

No encienda la sierra ingleteadora combinada sin revisar para ver si hay interferencia física entre la hoja y la guía de ingletes. Puede dañarse la hoja si toca la guía de ingletes durante el funcionamiento de la sierra. La inobservancia de esta advertencia puede causar lesiones corporales serias.

---

# FUNCIONAMIENTO

## FORMA DE CORTAR CON LA SIERRA INGLETEADORA COMBINADA

### **⚠️ ADVERTENCIA:**

Al utilizar la prensa de trabajo o una de mano para asegurar la pieza de trabajo, sujete ésta sólo en un lado de la hoja. La pieza de trabajo debe quedar libre en un lado de la hoja para evitar que ésta se atore en la pieza de trabajo. El atoramiento de la hoja en la pieza de trabajo causa un agarrotamiento y un contragolpe del motor. Esta situación podría causar un accidente, y como consecuencia posibles lesiones serias.

### **⚠️ ADVERTENCIA:**

NUNCA mueva el ajuste de la pieza de trabajo ni marca a algún ángulo cortante mientras el vio corre y la hoja gira. Cualquier tropiezo puede tener como resultado el contacto con la hoja que causa lesiones serias.

### **⚠️ ADVERTENCIA:**

No intente cortar piezas estrechas usando la función de deslizamiento. La inobservancia de esta advertencia podría causar lesiones graves.

## SISTEMA DE ILUMINACIÓN LED

Vea la figura 30.

### **⚠️ ADVERTENCIA:**

Evite mirar de frente el rayo de luz (aunque se encuentre lejos). Mirar de frente el rayo de luz puede causar lesiones graves o pérdida de la visión.

El sistema de iluminación LED proyecta la sombra de la hoja en la pieza de trabajo. Esto genera una mayor precisión de cortes y no requiere ajustes.

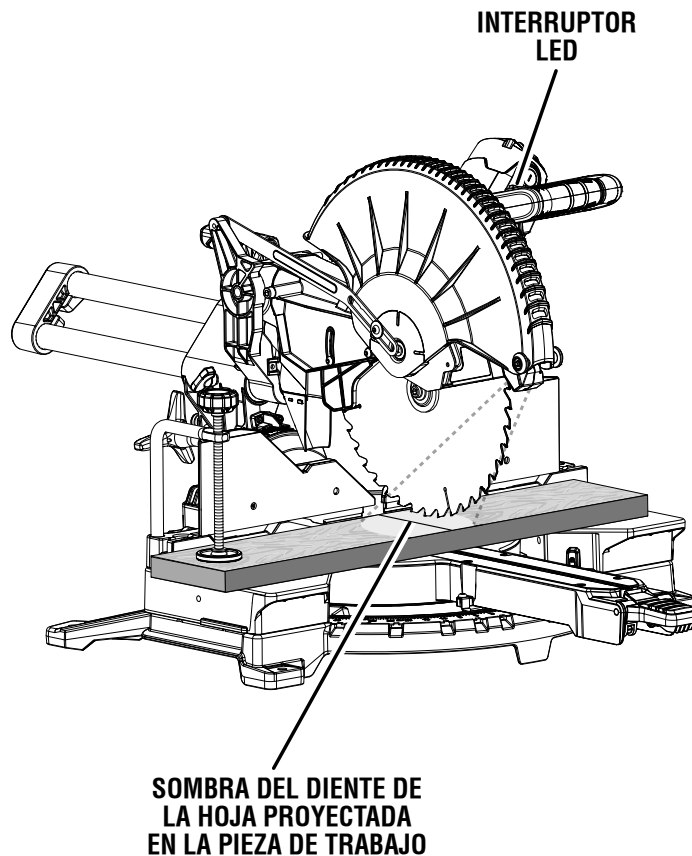


Fig. 30

Para utilizar esta característica, encienda el interruptor LED. Baje el brazo de la sierra para que la hoja se encuentre aproximadamente a 6,35 mm (1/4 pulg.) de la pieza de trabajo. La sombra de la hoja se proyectará en la pieza de trabajo, indicando dónde hará contacto el diente de la hoja cuando se realice el corte.

## PARA HACER CORTES NO DESLIZANTES

### **⚠️ ADVERTENCIA:**

Apriete firmemente la perilla de fijación de la guía telescópica para realizar cortes no deslizantes. Si no se aprieta esta perilla, podría moverse el cabezal de la sierra durante la tarea de corte.

# FUNCIONAMIENTO

## PARA REALIZAR CORTES DE INGLETE/ TRANSVERSALES

Veá las figuras 31 y 32.

Los cortes transversales se efectúan cortando a través de la veta de la pieza de trabajo. Un corte transversal recto se efectúa con la mesa de ingletes ajustada en la posición de 0°. Los cortes de inglete se efectúan con la mesa de ingletes puesta en un ángulo diferente de 0°.

**NOTA:** Podría ser necesario ajustar la guía de ingletes deslizable para garantizar una distancia apropiada antes de realizar el corte.

- Deslice el cabezal de la sierra hacia su posición más trasera y ajuste la perilla de fijación de la corredera en forma segura.
- Suba el brazo de la sierra hasta su altura máxima.
- Levante al palanca de seguridad de inglete y, luego, presione el botón derivador de retención de inglete completamente.
- Gire el brazo de control hasta no alinear el indicador con el ángulo deseado de la escala de ingletes.

**NOTA:** Puede colocar rápidamente el selector en 0°, 15°, 22,5°, 31,6°, 45°, 60° y 67,5° a la izquierda o derecha presionando el botón de derivación de retención de inglete hasta la mitad a medida que gira el brazo de control. El brazo de control quedará en uno de los toques indexados, ubicados en la base de la mesa de ingletes.

- Presione la palanca de seguridad de inglete para bloquear la mesa de ingletes.
- Coloque la pieza de trabajo horizontal en la mesa de ingletes, con un canto firmemente apoyado contra la guía. Si la tabla está doblada, coloque el canto convexo contra la guía. Si se coloca el canto cóncavo de la tabla contra la guía, la tabla podría venirse sobre la hoja al final del corte, atascándola. *Veá las figuras 51 y 52.*
- Al cortar tablas o molduras largas, apoye el extremo opuesto del material sobre un soporte de rodillo o sobre una superficie de trabajo a nivel con la mesa de la sierra. *Veá la figura 50.*
- Encienda el interruptor LED.
- Baje la hoja y alinee la línea de corte de la pieza de trabajo con el borde de la hoja de la sierra o la sombra de la hoja.
- Sujete firmemente la pieza con una mano y colóquela contra la guía. Use la prensa de trabajo, prensa en C, u otra prensa adecuada para asegurar la pieza cuando sea posible.
- Antes de poner en marcha la sierra, efectúe un corte de prueba solamente para verificar que no habrá problemas cuando el corte sea hecho.

## CORTE TRANSVERSAL

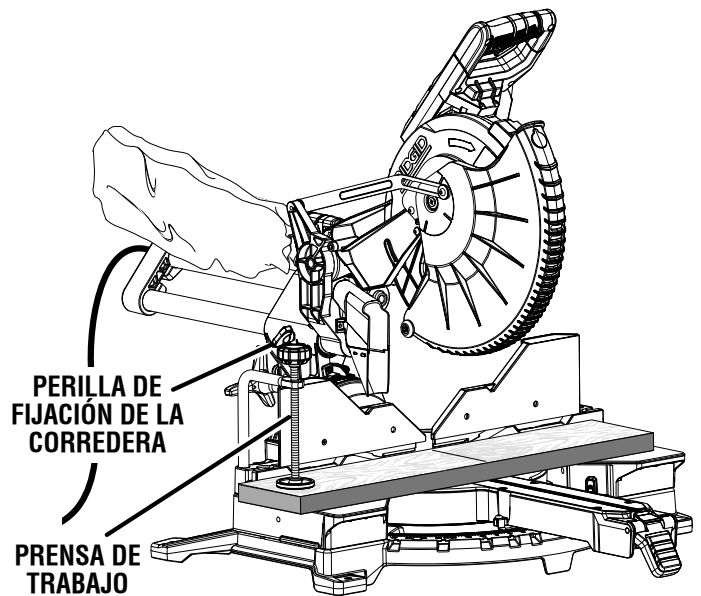


Fig. 31

## CORTE DE INGLETE

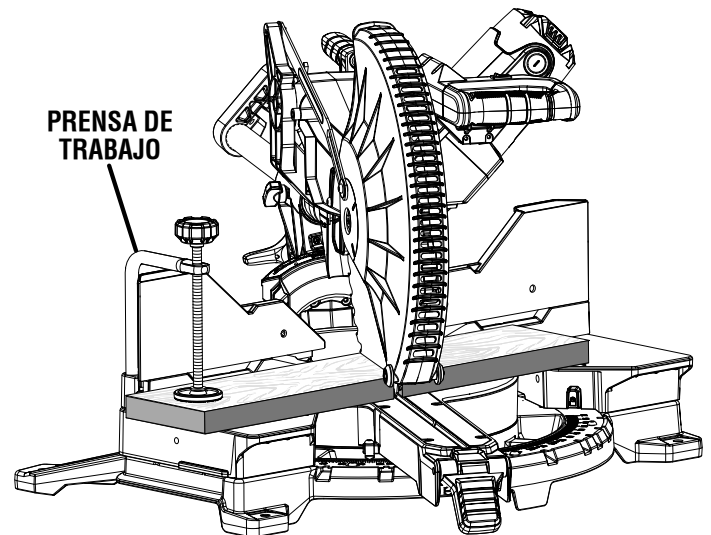


Fig. 32

- Sujete firmemente el mango de la sierra. Oprima la palanca del seguro del gatillo y luego oprima el gatillo. Deje transcurrir varios segundos para que la hoja alcance su velocidad máxima.
- Baje lentamente la hoja de la sierra haciendo que se introduzca y traspase la pieza de trabajo.
- Suelte el gatillo del interruptor y espere a que la hoja de la sierra deje de girar antes de levantarla de la pieza de trabajo y retirar la pieza de trabajo de la mesa de ingletes.

# FUNCIONAMIENTO

## PARA REALIZAR CORTES A INGLETE EXTENDIDOS

Veá las figuras 33 - 35.

La capacidad de inglete extendida de la sierra le permite hacer cortes de inglete de hasta 70°. Utilizando las mesas de extensión de ingletes, puede cortar ingletes de 22.5° para esquinas de 45°.

Las mesas de extensión de rotación se pueden establecer en una de las tres posiciones, dependiendo del tipo de corte deseado.

Utilice las mesas de extensión de rotación cuando realice cortes de ingletes mayores de 45°.

- Deslice el cabezal de la sierra hacia su posición más trasera y ajuste la perilla de fijación de la corredera en forma segura.
- Levante el brazo de la sierra a su altura máxima.
- Deslícela de la guía en la parte opuesta de donde se realice el corte. Esto asegura que el soporte de seguridad de bisel no avance con golpes contra la guía cuando configure la hoja para cortes de inglete extendidos.
- Para girar las mesas de extensión hacia afuera, presione el botón de seguridad de la mesa y seleccione una de las posiciones preestablecidas.
- Suelte el botón de seguridad de la mesa y mueva la mesa hasta que se fije en su posición.
- Levante al palanca de seguridad de inglete y, luego, presione el botón derivador de retención de inglete completamente.
- Gire el brazo de control hasta no alinear el indicador con el ángulo deseado de la escala de ingletes.

**NOTA:** Puede colocar rápidamente el selector en 0°, 15°, 22,5°, 31,6°, 45°, 60° y 67,5° a la izquierda o derecha presionando el botón de derivación de retención de inglete hasta la mitad a medida que gira el brazo de control. El brazo de control quedará en uno de los topes indexados, ubicados en la base de la mesa de ingletes.

- Presione la palanca de seguridad de inglete para bloquear la mesa de ingletes.
- Encienda el interruptor LED.
- Baje la hoja y alinee la línea de corte de la pieza de trabajo con el borde de la hoja de la sierra o la sombra de la hoja.
- Sujete firmemente la pieza con una mano y colóquela contra la guía. Use la prensa de trabajo, prensa en C, u otra prensa adecuada para asegurar la pieza cuando sea posible.

### ADVERTENCIA:

Para cortes de inglete extendido, coloque la mordaza en el lado del ángulo grande del inglete sobre la mesa. Si sostiene o sujeta la pieza de trabajo en el lado del ángulo pequeño del inglete sobre la mesa, su mano puede quedar muy cerca de la hoja y puede provocar lesiones personales graves.

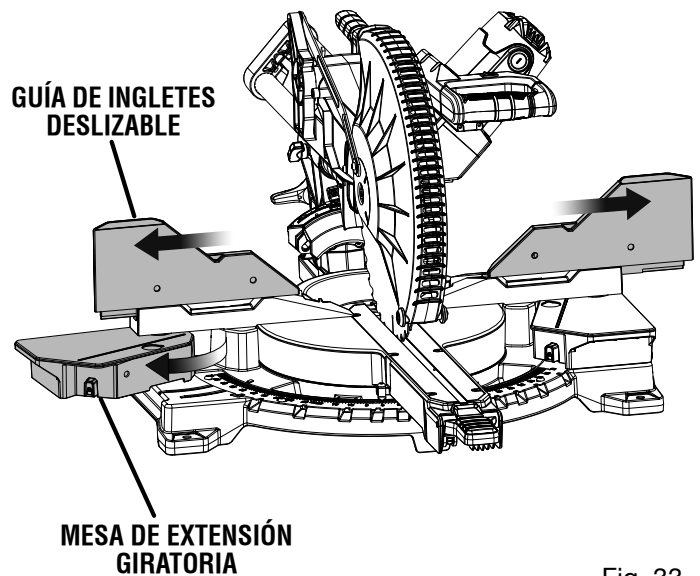


Fig. 33

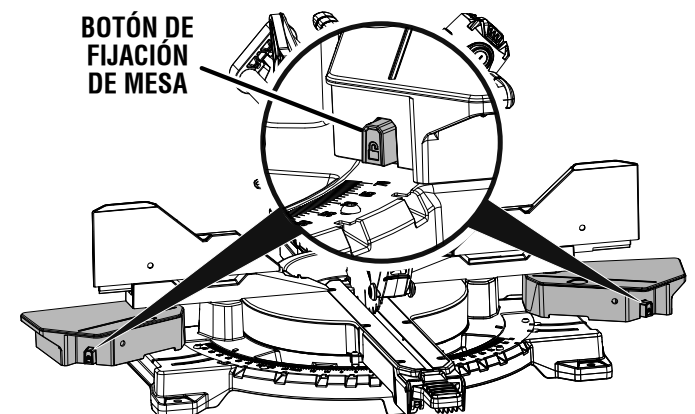


Fig. 34

### CORTE DE INGLETE EXTENDIDO

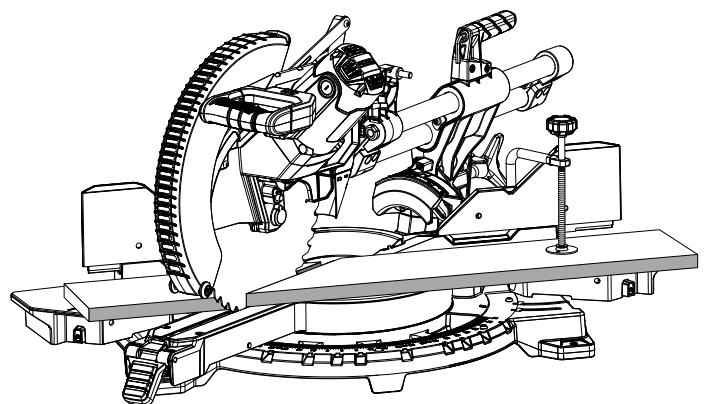


Fig. 35

# FUNCIONAMIENTO

- Antes de encender la sierra, efectúe una simulación de la tarea de corte, sólo para asegurarse de que no suceda ningún problema durante la tarea de corte real.
- Sujete firmemente el mango de la sierra. Oprima el seguro del interruptor con el pulgar y luego oprima el gatillo. Deje transcurrir varios segundos para que la hoja alcance su velocidad máxima.
- Baje lentamente la hoja de la sierra haciendo que se introduzca y traspase la pieza de trabajo.
- Suelte el gatillo del interruptor y espere a que la hoja de la sierra deje de girar antes de levantarla de la pieza de trabajo y retirar la pieza de trabajo de la mesa de ingletes.

## PARA CORTAR A BISEL

Vea las figuras 36 y 37.

Un corte a bisel se realiza cortando de forma perpendicular a la veta de la pieza de trabajo con la hoja en ángulo hacia la pieza de trabajo. Un corte en bisel recto se efectúa con la mesa de ingletes en la posición de cero grados y la hoja a un ángulo entre 0° y 48°.

**NOTA:** Puede ser necesario ajustar o extraer la guía de ingletes deslizante.

- Deslice el cabezal de la sierra hacia su posición más trasera y ajuste la perilla de fijación de la corredera en forma segura.
- Levante el brazo de la sierra a su máxima altura.
- Levante al palanca de seguridad de inglete y presione el botón derivador de retención de inglete. Establezca la mesa de ingletes en cero.
- Presione la palanca de seguridad de inglete para bloquear la mesa de ingletes.
- Afloje la perilla de fijación de bisel.

**NOTA:** Agarre de manera firme el mango en "D" mientras afloja la perilla de bloqueo del bisel para evitar que el cabezal de la sierra se mueva inesperadamente.

- Mueva la palanca de retención del bisel a la posición desbloqueada (retén enganchado) para seleccionar una de las configuraciones preestablecidas del bisel o coloque la palanca de retención del bisel en la posición desbloqueada (retén enganchado) para seleccionar la configuración deseada.

**NOTA:** Las posiciones de bisel indicadas están ubicadas a 0°, 15°, 22,5°, 33,9°, y 45° a izquierda o derecha.

- Apriete la perilla de fijación de bisel.
- Coloque la pieza de trabajo horizontal en la mesa de ingletes, con un canto firmemente apoyado contra la guía. Si la tabla está doblada, coloque el canto convexo contra la guía. Si se coloca el canto cóncavo de la tabla contra la guía, la tabla podría venirse sobre la hoja al final del corte, atascándola. Vea las figuras 51 y 52.
- Al cortar tablas o molduras largas, apoye el extremo opuesto del material sobre un soporte de rodillo o con una superficie de trabajo a nivel con la mesa de la sierra. Vea la figura 39.

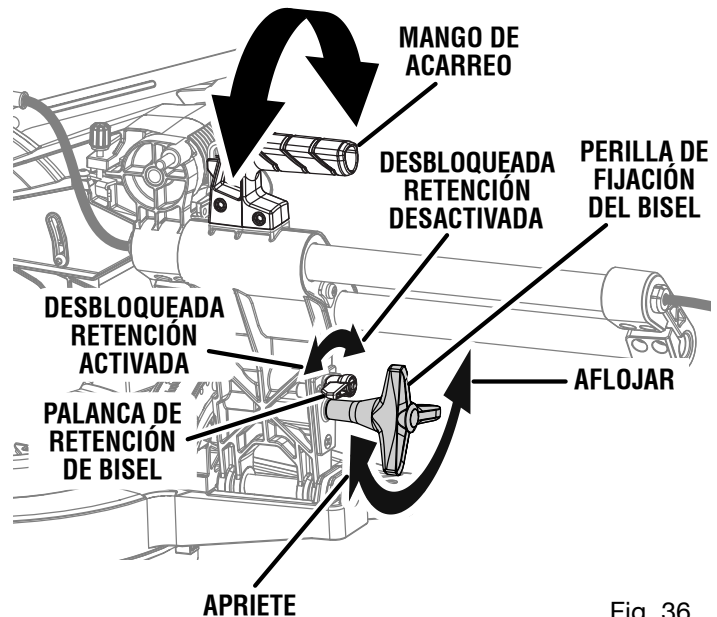


Fig. 36

## CORTAR A BISEL

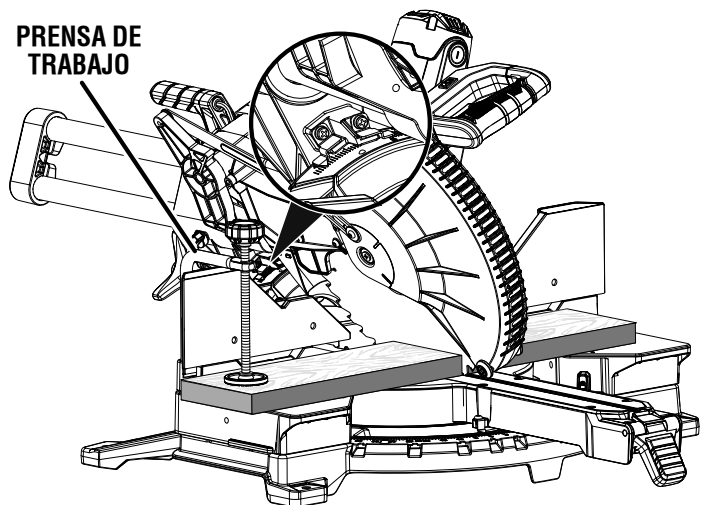


Fig. 37

- Encienda el interruptor LED.
- Baje la hoja y alinee la línea de corte de la pieza de trabajo con el borde de la hoja de la sierra o la sombra de la hoja.
- Sujete firmemente la pieza con una mano y colóquela contra la guía. Use la prensa de trabajo, prensa en C, u otra prensa adecuada para asegurar la pieza cuando sea posible.
- Antes de encender la sierra, efectúe una simulación de la tarea de corte, sólo para asegurarse de que no suceda ningún problema durante la tarea de corte real.
- Sujete firmemente el mango de la sierra. Oprima la palanca del seguro del gatillo y luego oprima el gatillo. Permita transcurrir varios segundos para que la hoja alcance su velocidad máxima.
- Baje lentamente la hoja de la sierra haciendo que se introduzca y traspase la pieza de trabajo.

# FUNCIONAMIENTO

- Suelte el gatillo del interruptor y espere a que la hoja de la sierra deje de girar antes de levantarla de la pieza de trabajo y retirar la pieza de trabajo de la mesa de ingletes.

## PARA CORTAR INGLETES COMPUESTOS

Vea la figura 38.

Un corte de inglete compuesto es un corte empleando un ángulo de inglete y un ángulo de bisel al mismo tiempo. Este tipulg. de corte se usa para elaborar marcos de cuadros, cortar molduras, elaborar cajas con lados inclinados y para ciertos cortes para entramado de techos.

Para efectuar este tipulg. de corte, el brazo de control de la mesa de ingletes debe girarse al ángulo correcto y el brazo de la sierra debe inclinarse al ángulo de bisel correcto. Se debe siempre tener precaución al realizar cortes de ingletes compuestos debido a la interacción de los dos ajustes de ángulos.

El ajuste de los ángulos de inglete y de bisel son interdependientes entre sí. Cada vez que se ajusta el ángulo de inglete se cambia el efecto en el ángulo de bisel. También, cada vez que se ajusta el ángulo de bisel se cambia el efecto en el ángulo de inglete.

Pueden ser necesarios varios ajustes para obtener el corte deseado. El ajuste del primer ángulo debe revisarse después de ajustarse el segundo, puesto que el ajuste del segundo afecta al primero.

Una vez obtenidos los dos ajustes correctos para un corte en particular, efectúe siempre un corte de prueba en material de desecho antes de efectuar un corte final en material bueno.

**NOTA:** Puede ser necesario ajustar o extraer la guía de ingletes deslizante y/o mueve la prensa de trabajo al hoyo en la extensión de mesa para asegurar suficiente espacio libre antes de efectuar el corte.

- Deslice el cabezal de la sierra hacia su posición más trasera y ajuste la perilla de fijación de la corredera en forma segura.
- Levante el brazo de la sierra a su altura máxima.
- Levante al palanca de seguridad de inglete y, luego, presione el botón derivador de retención de inglete completamente.
- Gire el brazo de control hasta que la marca quede en el ángulo deseado en la escala de inglete.

**NOTA:** Puede colocar rápidamente la marca en 0°, 15°, 22,5°, 31,6°, 45°, 60° y 67,5° presionando el botón de derivación de retención de inglete hasta la mitad a medida que gira el brazo de control. El brazo de control quedará en uno de los topes indexados, ubicados en la base de la mesa de ingletes.

- Presione la palanca de seguridad de inglete para bloquear la mesa de ingletes.
- Afloje la perilla de fijación de bisel.

**NOTA:** Agarre de manera firme el mango en "D" mientras afloja la perilla de bloqueo del bisel para evitar que el cabezal de la sierra se mueva inesperadamente.

## CORTAR INGLETES COMPUESTOS

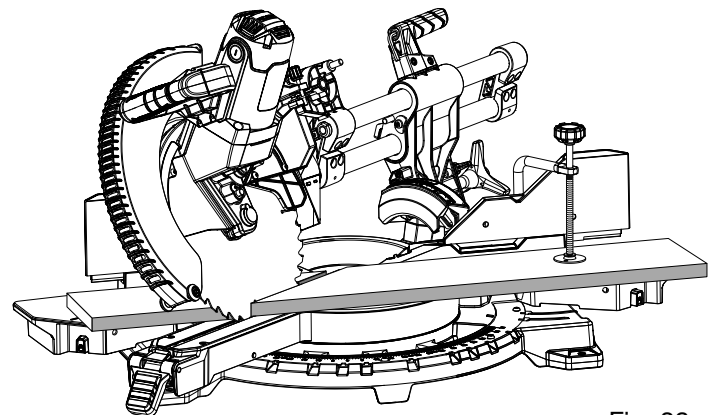


Fig. 38

- Mueva la palanca de retención del bisel a la posición desbloqueada (retén enganchado) para seleccionar una de las configuraciones preestablecidas del bisel o coloque la palanca de retención del bisel en la posición desbloqueada (retén enganchado) para seleccionar la configuración deseada.

**NOTA:** Las posiciones de bisel indicadas están ubicadas a 0°, 15°, 22,5°, 33,9°, y 45° a izquierda o derecha.

- Apriete la perilla de fijación de bisel.
- Coloque la pieza de trabajo horizontal en la mesa de ingletes, con un canto firmemente apoyado contra la guía. Si la tabla está doblada, coloque el canto convexo contra la guía. Si se coloca el canto cóncavo de la tabla contra la guía, la tabla podría venirse sobre la hoja al final del corte, atascándola. *Vea las figuras 51 - 52.*
- Al cortar tablas o molduras largas, apoye el extremo opuesto del material sobre un soporte de rodillo o con una superficie de trabajo a nivel con la mesa de la sierra. *Vea la figura 39.*
- Encienda el interruptor LED.
- Baje la hoja y alinee la línea de corte de la pieza de trabajo con el borde de la hoja de la sierra o la sombra de la hoja.
- Sujete firmemente la pieza con una mano y colóquela contra la guía. Use la prensa de trabajo, prensa en C, u otra prensa adecuada para asegurar la pieza cuando sea posible.
- Antes de encender la sierra, efectúe una simulación de la tarea de corte, sólo para asegurarse de que no suceda ningún problema durante la tarea de corte real.
- Sujete firmemente el mango de la sierra. Oprima la palanca del seguro del gatillo y luego oprima el gatillo. Permita transcurrir varios segundos para que la hoja alcance su velocidad máxima.
- Baje lentamente la hoja de la sierra haciendo que se introduzca y traspase la pieza de trabajo.
- Suelte el gatillo del interruptor y espere a que la hoja de la sierra deje de girar antes de levantarla de la pieza de trabajo y retirar la pieza de trabajo de la mesa de ingletes.

# FUNCIONAMIENTO

## APOYE LAS PIEZAS DE TRABAJO LARGAS

Vea las figuras 39 y 40.

Las piezas de trabajo largas necesitan soportes extra. Los soportes base con ruedas, o superficie de trabajo nivelada con la sierra de mesa deben colocarse a lo largo de la pieza de trabajo de manera que no se pandee. El soporte debe permitir que la pieza permanezca horizontal en la base de la sierra y la mesa de trabajo durante el corte. Use la prensa de trabajo, prensa en C, u otra prensa adecuada para asegurar la pieza cuando sea posible.

**NOTA:** Al hacer un corte a inglete compuesto como se muestra en figura 40, puede ser necesario ajustar o quitar la guía de ingletes deslizante para asegurar un espacio libre adecuado antes de efectuar el corte.

## ADVERTENCIA:

Nunca realice cortes tirando de la sierra hacia usted, ya que esto podría hacer que la hoja se montara sobre la pieza de trabajo, viniéndose hacia usted. La inobservancia de esta advertencia podría causar lesiones graves.

## PARA HACER CORTES POR DESLIZAMIENTO

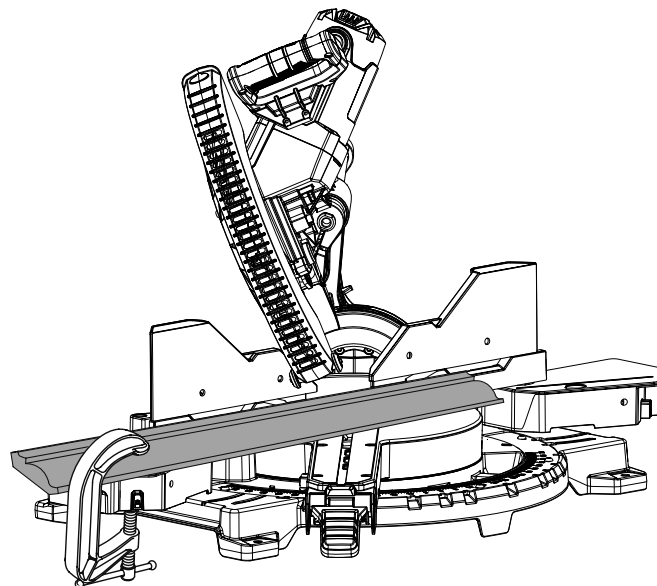
Vea las figuras 41 y 42.

La función de deslizamiento le permite cortar piezas de trabajo de 355,6 mm (14 pulg.) de ancho por 114,3 mm (4-1/2 pulg.) de grosor y 406,4 mm (16 pulg.) by 38,1 mm (1-1/2 pulg.)

Con la sierra apagada, tire del brazo de la sierra hacia adelante. Encienda la sierra (deje que la hoja alcance la velocidad máxima) y a continuación presione la hoja hacia abajo y sobre la pieza de trabajo, y seguidamente presiónela hacia la parte trasera de la sierra para realizar el corte. Los cortes se realizan: presionando la hoja de la sierra en dirección opuesta a la de su cuerpo y hacia la escala de

biseles situada en la parte trasera de la sierra, parando al alcanzar plenamente la posición posterior después de cada cada corte. Cuando la sierra este en marcha (encendida) **NUNCA** tire de la hoja de la sierra hacia usted ni hacia la parte delantera de la sierra.

- Suba el brazo de la sierra hasta su altura máxima.
- Coloque la pieza de trabajo horizontal en la mesa de ingletes, con un canto firmemente apoyado contra la



45° x 45° CORTE EN BISEL COMBINADO

**NOTA: NO INSTALE PRENSAS EN ALGUNA DE LAS PIEZAS MÓVILES DE LA SIERRA.**

Fig. 40

## CORTE POR DESLIZAMIENTO

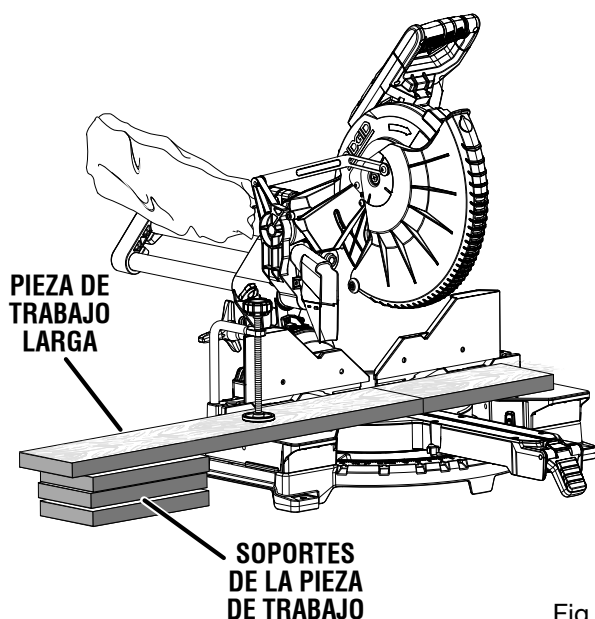


Fig. 39

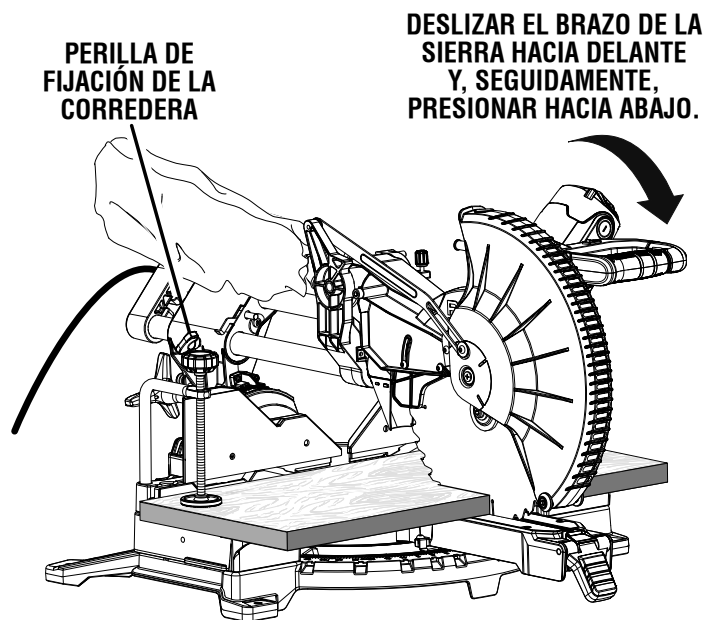


Fig. 41

# FUNCIONAMIENTO

guía. Si la tabla está doblada, coloque el canto convexo contra la guía. Si se coloca el canto cóncavo de la tabla contra la guía, la tabla podría venirse sobre la hoja al final del corte, atascándola. *Vea las figuras 51 y 52.*

- Al cortar tablas o molduras largas, apoye el extremo opuesto del material sobre un soporte de rodillo o sobre una superficie de trabajo a nivel con la mesa de la sierra. *Vea la figura 39.*
- Encienda el interruptor LED.
- Baje la hoja y alinee la línea de corte de la pieza de trabajo con el borde de la hoja de la sierra o la sombra de la hoja.
- Afloje la perilla de fijación de la guía telescópica girándola en sentido antihorario.
- Sujete firmemente la pieza con una mano y asegúrela contra la guía. Use la prensa de trabajo, prensa en C, u otra prensa adecuada para asegurar la pieza cuando sea posible.
- Antes de encender la sierra, efectúe una simulación de la operación de corte, sólo para asegurarse de que no suceda ningún problema durante la operación de corte real.
- Con la sierra apagada, sujete firmemente el mango de la sierra y tire de ella hacia delante hasta que el eje de la hoja (centro de la hoja de la sierra) haya sobrepasado la parte delantera de la pieza de trabajo o hasta que la sierra esté completamente extendida.
- Sujete firmemente el mango de la sierra. Oprima la palanca del seguro del gatillo y luego oprima el gatillo. Permita transcurrir varios segundos para que la hoja alcance su velocidad máxima.
- Baje lentamente la hoja de la sierra para que se introduzca y atravesese el canto delantero de la pieza del trabajo.
- Presione el mango de la sierra en dirección contraria a la de su cuerpo, y hacia la escala de biselés situada en la parte trasera de la sierra.
- Suelte el gatillo del interruptor y espere a que la hoja de la sierra deje de girar antes de levantarla de la pieza de trabajo y retirar la pieza de trabajo de la mesa de ingletes.

## FORMA DE HACER UNA GUÍA AUXILIAR

*Vea la figura 43.*

Según el tamaño y la posición de la pieza de trabajo, ciertos cortes poco comunes podrían beneficiarse del soporte adicional provisto por una guía auxiliar. Los orificios provistos en la guía de ingletes deslizable se utilizan para asegurar la guía auxiliar en su lugar.

**NOTA:** La guía auxiliar sólo se puede utilizar cuando el ángulo del bisel está ajustado a 0°. Al realizar un corte en bisel, la guía auxiliar **DEBE** extraerse.

**NOTA:** Podría ser necesario ajustar la guía de ingletes deslizable para garantizar una distancia apropiada antes de instalar la guía auxiliar.

### Para conectar la guía auxiliar a la sierra:

- Asegúrese de que el tornillo de guía esté firmemente apretada.

- Coloque un pieza de madera de 254 mm (10 pulg.) contra las esquinas unidas de la guía y alinee con el borde izquierdo de las esquinas unidas de la mesa.
  - Sujete la madera de manera firme contra la guía e inserte tornillos para madera desde la parte trasera de la guía atravesando los dos orificios hasta la guía auxiliar. Si resulta necesario, haga primero un orificio de prueba en la madera para evitar quebraduras. Quite la abrazadera cuando haya terminado.
- NOTA:** Asegúrese de que los tornillos que use para colocar la guía auxiliar no pasen por la parte frontal de la guía y de que la longitud de los tornillos no los coloque en el camino de la hoja en ningún ángulo.
- Haga un corte de inglete izquierdo completo atravesando la guía auxiliar.

### CORTE POR DESLIZAMIENTO

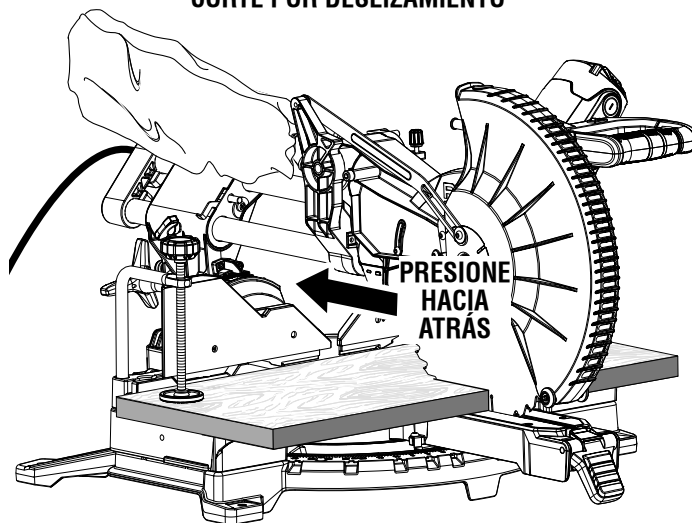


Fig. 42

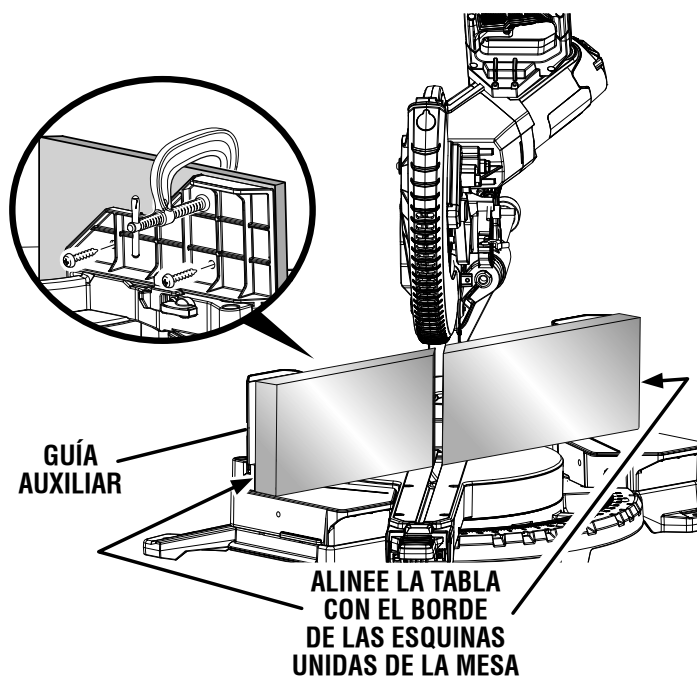


Fig. 43



# FUNCIONAMIENTO

**NOTA:** Compruebe que la guía auxiliar no interfiera con el protector inferior de la hoja. Corrija cualquier interferencia antes de proceder.

- Repita estos pasos con la segunda tabla alineándola con el lado derecho de las esquinas unidas de la mesa y haciendo un corte de inglete derecha completo atravesando la guía auxiliar.

## CORTE DE RANURAS BASTAS

Veá las figuras 44 y 45.

Usando un cincel para madera y la guía de profundidad, es posible realizar ranuras bastas. Las marcas de la guía de profundidad sólo deben usarse como referencia. Realice siempre un corte de prueba en trozo de madera.

### Para usar el tope de profundidad:

- Desconecte la sierra.
- Gire el tope de profundidad hacia afuera.
- Con el extremo de la perilla de control de profundidad que tocas el tope de profundidad, ajuste el perilla de control de profundidad girando el tope de profundidad hasta que la profundidad deseada del corte se alcance.
- Debe colocarse un espaciador de madera entre la pieza de trabajo y la guía para crear una distancia de 63,5 mm (2-1/2 pulgadas) entre la pieza de trabajo y la guía y lograr así una profundidad de corte consistente en la pieza de trabajo. Utilice la prensa de trabajo para sujetar el espaciador y otra prensa adecuada para sujetar la pieza de trabajo.
- Gire el tope de profundidad hacia adentro para cortes normales no pasantes.

**NOTA:** El tope de profundidad debe empujarse hacia el alojamiento del motor antes de bloquear/desbloquear el brazo de la sierra.

### Para hacer el corte:

- Destrabe la perilla de fijación de la guía telescópica.
- Suba el brazo de la sierra hasta su altura máxima.
- Con la sierra apagada, tire del brazo de la sierra hacia delante. Encienda la sierra (deje que la hoja alcance la velocidad máxima) y a continuación presione la hoja hacia abajo y sobre la pieza de trabajo, y seguidamente

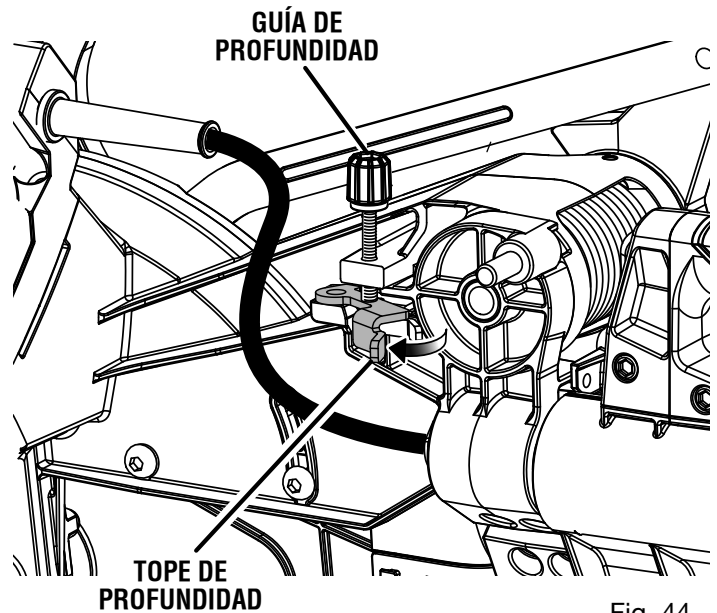


Fig. 44

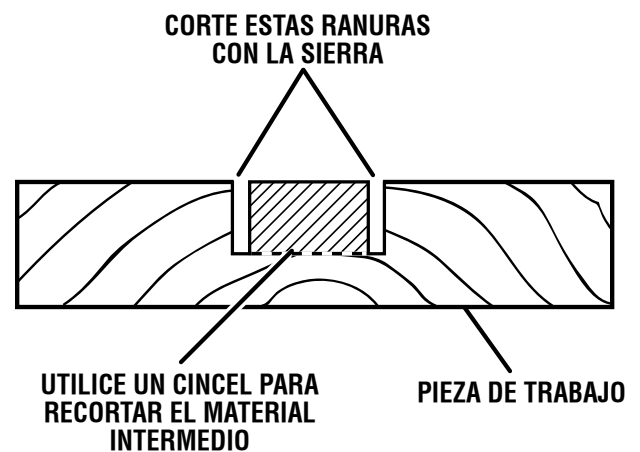


Fig. 45

presiónela hacia la parte trasera de la sierra para realizar el corte. *Veá las figuras 41 y 42.*

- Corte dos ranuras exteriores en la pieza de trabajo.
- Usando un cincel para madera, extraiga el material situado entre las dos ranuras exteriores.

# FUNCIONAMIENTO

## CÓMO EFECTUAR CORTES A INGLETE COMBINADOS

Como ayuda para realizar los ajustes correctos, se suministra la siguiente tabla de ángulos combinados. Puesto que los cortes combinados son los más difíciles de obtener, deben efectuarse cortes de prueba en material de desecho, así como una gran cantidad de reflexión y planeación, antes de efectuar el corte final.

INCLINACIÓN DEL LADO	NÚMERO DE LADOS						
	4	5	6	7	8	9	10
0°	M- 45,00° B- 0,00°	M- 36,00° B- 0,00°	M- 30,00° B- 0,00°	M- 25,71° B- 0,00°	M- 22,50° B- 0,00°	M- 20,00° B- 0,00°	M- 18,00° B- 0,00°
5°	M- 44,89° B- 3,53°	M- 35,90° B- 2,94°	M- 29,91° B- 2,50°	M- 25,63° B- 2,17°	M- 22,42° B- 1,91°	M- 19,93° B- 1,71°	M- 17,94° B- 1,54°
10°	M- 44,56° B- 7,05°	M- 35,58° B- 5,86°	M- 29,62° B- 4,98°	M- 25,37° B- 4,32°	M- 22,19° B- 3,81°	M- 19,72° B- 3,40°	M- 17,74° B- 3,08°
15°	M- 44,01° B- 10,55°	M- 35,06° B- 8,75°	M- 29,15° B- 7,44°	M- 24,95° B- 6,45°	M- 21,81° B- 5,68°	M- 19,37° B- 5,08°	M- 17,42° B- 4,59°
20°	M- 43,22° B- 14,00°	M- 34,32° B- 11,60°	M- 28,48° B- 9,85°	M- 24,35° B- 8,53°	M- 21,27° B- 7,52°	M- 18,88° B- 6,72°	M- 16,98° B- 6,07°
25°	M- 42,19° B- 17,39°	M- 33,36° B- 14,38°	M- 27,62° B- 12,20°	M- 23,56° B- 10,57°	M- 20,58° B- 9,31°	M- 18,26° B- 8,31°	M- 16,41° B- 7,50°
30°	M- 40,89° B- 20,70°	M- 32,18° B- 17,09°	M- 26,57° B- 14,48°	M- 22,64° B- 12,53°	M- 19,73° B- 11,03°	M- 17,50° B- 9,85°	M- 15,72° B- 8,89°
35°	M- 39,32° B- 23,93°	M- 30,76° B- 19,70°	M- 25,31° B- 16,67°	M- 21,53° B- 14,41°	M- 18,74° B- 12,68°	M- 16,60° B- 11,31°	M- 14,90° B- 10,21°
40°	M- 37,45° B- 27,03°	M- 29,10° B- 22,20°	M- 23,86° B- 18,75°	M- 20,25° B- 16,19°	M- 17,60° B- 14,24°	M- 15,58° B- 12,70°	M- 13,98° B- 11,46°
45°	M- 35,26° B- 30,00°	M- 27,19° B- 24,56°	M- 22,21° B- 20,70°	M- 18,80° B- 17,87°	M- 16,32° B- 15,70°	M- 14,43° B- 14,00°	M- 12,94° B- 12,62°
50°	M- 32,73° B- 32,80°	M- 25,03° B- 26,76°	M- 20,36° B- 22,52°	M- 17,20° B- 19,41°	M- 14,91° B- 17,05°	M- 13,17° B- 15,19°	M- 11,80° B- 13,69°
55°	M- 29,84° B- 35,40°	M- 22,62° B- 28,78°	M- 18,32° B- 24,18°	M- 15,44° B- 20,82°	M- 13,36° B- 18,27°	M- 11,79° B- 16,27°	M- 10,56° B- 14,66°
60°	M- 26,57° B- 37,76°	M- 19,96° B- 30,60°	M- 16,10° B- 25,66°	M- 13,54° B- 22,07°	M- 11,70° B- 19,35°	M- 10,31° B- 17,23°	M- 9,23° B- 15,52°
65°	M- 22,91° B- 39,86°	M- 17,07° B- 32,19°	M- 13,71° B- 26,95°	M- 11,50° B- 23,16°	M- 9,93° B- 20,29°	M- 8,74° B- 18,06°	M- 7,82° B- 16,26°
70°	M- 18,88° B- 41,64°	M- 13,95° B- 33,53°	M- 11,17° B- 28,02°	M- 9,35° B- 24,06°	M- 8,06° B- 21,08°	M- 7,10° B- 18,75°	M- 6,34° B- 16,88°
75°	M- 14,51° B- 43,08°	M- 10,65° B- 34,59°	M- 8,50° B- 28,88°	M- 7,10° B- 24,78°	M- 6,12° B- 21,69°	M- 5,38° B- 19,29°	M- 4,81° B- 17,37°
80°	M- 9,85° B- 44,14°	M- 7,19° B- 35,37°	M- 5,73° B- 29,50°	M- 4,78° B- 25,30°	M- 4,11° B- 22,14°	M- 3,62° B- 19,68°	M- 3,23° B- 17,72°
85°	M- 4,98° B- 44,78°	M- 3,62° B- 35,84°	M- 2,88° B- 29,87°	M- 2,40° B- 25,61°	M- 2,07° B- 22,41°	M- 1,82° B- 19,92°	M- 1,62° B- 17,93°
90°	M- 0,00° B- 45,00°	M- 0,00° B- 36,00°	M- 0,00° B- 30,00°	M- 0,00° B- 25,71°	M- 0,00° B- 22,50°	M- 0,00° B- 20,00°	M- 0,00° B- 18,00°

Cada cantidad, B (bisel) y M (inglete), se da con una tolerancia de 0,005°.

### AJUSTES DE ÁNGULOS COMBINADOS PARA ESTRUCTURAS COMUNES

# FUNCIONAMIENTO

## CÓMO CORTAR MOLDURAS DE CORONA

La sierra ingleteadora combinada realiza una labor excelente para cortes de molduras de corona. En general, las sierras ingleteadoras combinadas realizan una labor mejor en el corte de molduras de corona que ninguna otra herramienta.

Con el fin de lograr un ajuste correcto, las molduras de corona deben cortarse con una precisión extrema, con cortes a inglete combinados.

Las dos superficies de contacto de una moldura de corona que queda horizontal contra el cielo raso y la pared de un cuarto están en ángulos que añadidos dan un total exacto de 90°. La mayoría de molduras de corona tienen un ángulo posterior superior (es la sección que queda horizontal contra el cielo raso) de 52°, y un ángulo posterior inferior (la sección que queda contra la pared) de 38°.

## MOLDURA DE CORONA EN POSICIÓN HORIZONTAL EN LA MESA DE INGLETES

Vea la figura 46.

Para usar este método a fin de cortar con exactitud molduras de corona para una esquina interior o exterior de 90°, coloque la moldura con su superficie posterior ancha horizontalmente sobre la mesa de ingletes y con un borde contra la guía.

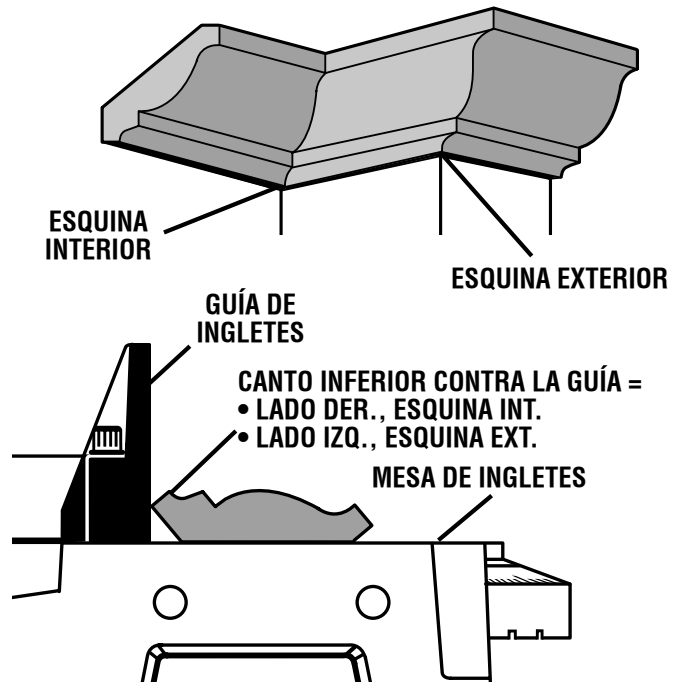
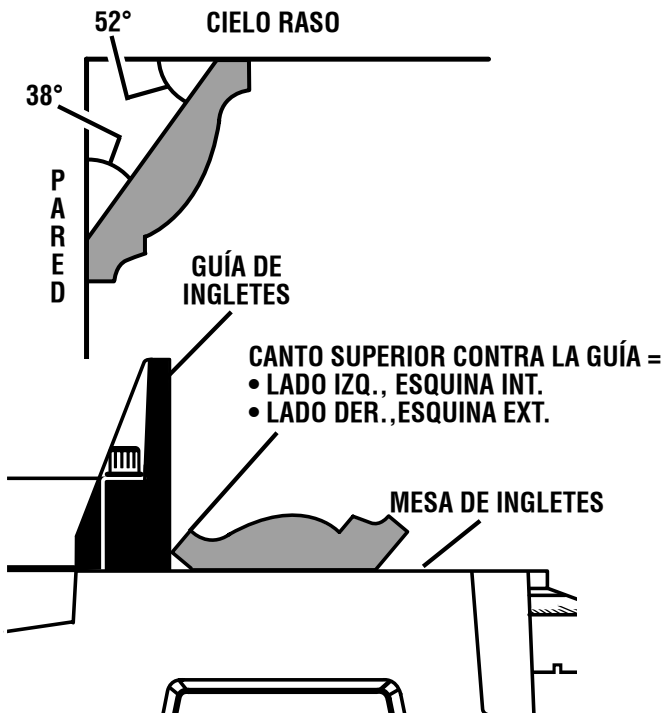
Al fijar los ángulos de bisel e inglete de los cortes a inglete combinados, recuerde que los ajustes son interdependientes; si se cambia un ángulo se cambia el otro también.

Tenga presente que los ángulos de las molduras de corona son muy precisos y difíciles de ajustar. Puesto que es muy fácil que estos ángulos cambien, todos los ajustes deben probarse primero en molduras de desecho. También, la mayoría de las paredes no tienen ángulos exactos de 90°, por lo tanto usted debe efectuar ajustes finos a los ángulos.

Al cortar molduras de corona con este método, el ángulo de bisel debe fijarse a 33,9°. Puede usarse el control manual de bisel para lograr un ángulo de bisel de 33,9°. El ángulo de inglete debe fijarse a 31,6°, a la derecha o izquierda, según el corte deseado para cada aplicación en particular. En la tabla mostrada abajo encontrará los ajustes correctos de los ángulos y la colocación correcta de la moldura de corona en la mesa de ingletes.

Los ajustes mostrados en la tabla de abajo pueden utilizarse para cortar molduras de corona 100% estándar ("All Standard" en EE.UU.) con ángulos de 52° y 38°. La moldura de corona se coloca horizontal sobre la mesa de ingletes usando las características de cortes combinados de la sierra ingleteadora.

Ajuste del ángulo de bisel	Tipulg. de corte
33,85°	Lado izquierdo, esquina interior 1. Canto superior moldura contra guía 2. Mesa ingletes a 31,6° a la der. 3. Guarde extremo izquierdo del corte
33,85°	Lado derecho, esquina interior 1. Canto inferior moldura contra guía 2. Mesa ingletes a 31,6° a la izq. 3. Guarde extremo izquierdo del corte
33,85°	Lado izquierdo, esquina exterior 1. Canto inferior moldura contra guía 2. Mesa ingletes a 31,6° a la izq. 3. Guarde extremo derecho del corte
33,85°	Lado derecho, esquina exterior 1. Canto superior moldura contra guía 2. Mesa ingletes a 31,6° a la der. 3. Guarde extremo derecho del corte



MOLDURA DE CORONA EN POSICIÓN HORIZONTAL EN LA MESA DE INGLETES

Fig. 46

# FUNCIONAMIENTO

Bisel Ángulo Ajuste	Tipo de corte
0°	Lado izquierdo, esquina interior 1. Canto superior de la moldura contra la guía 2. Mesa de ingletes a 45° a la derecha. 3. Guarde extremo izquierdo del corte
0°	Lado derecho, esquina interior 1. Canto inferior de la moldura contra la guía 2. Mesa de ingletes a 45° a la izquierda. 3. Guarde extremo izquierdo del corte
0°	Lado izquierdo, esquina exterior 1. Canto inferior de la moldura contra la guía 2. Mesa de ingletes a 45° a la izquierda. 3. Guarde extremo derecho del corte
0°	Lado derecho, esquina exterior 1. Canto superior de la moldura contra la guía 2. Mesa de ingletes a 45° a la derecha. 3. Guarde extremo derecho del corte

## CORTE DE ENCAJE DE MOLDURA DE CORONA UTILIZANDO TOPES DE CORONA (Los topes de corona se venden como accesorio por separado)

Vea la figura 47.

Los topes de corona se pueden comprar como accesorio de esta sierra para usar en cortes de molduras de corona en posición de encaje.

**NOTA:** Hay dos orificios en cada extensión de la mesa de ingletes. El tope de corona se puede instalar en cualquiera de las posiciones para realizar el tipo de corte deseado.

### Para adjuntar los topes de corona de la mesa de extensión:

- Posicione un tope de corona en la mesa de extensión.
- Inserte la perilla de fijación de la tope de corona roscada en la ranura larga en el tope de la corona y en el **orificio A**, pero no la ajuste por completo para permitir el ajuste del tope de la corona.
- Coloque la parte superior de la pieza de la moldura de la corona en la mesa. Posicione los ángulos de resortes para que el ángulo inferior se encuentre en posición plana con la mesa y el ángulo superior esté al ras contra la guía de inglete.
- Ajuste la perilla de fijación firmemente antes de realizar el corte.

**NOTE:** El **orificio B** se utiliza para cortes de inglete extendidos cuando la mesa de extensión giratoria se encuentra en la posición externa más alejada.

## REPOSICIONAMIENTO DE LAS GUÍAS DE INGLETE DESLIZABLES

Vea la figura 48.

Las guías de inglete deslizables se pueden reposicionar para realizar cortes de inglete cuando se necesite el soporte adicional más cerca de la hoja de la sierra. Esto es útil cuando se realizan cortes de ingletes a 45° para moldura de la corona y rodapiés.

### Para reposicionar las guías de inglete:

- Desconecte la sierra.
- Ajuste la perilla de fijación de la guía en la parte trasera de cada sección de la guía deslizable.
- Levante y quite las guías de inglete deslizables.
- Coloque la guía de inglete deslizable izquierda en el lado izquierdo de la herramienta y la guía de inglete deslizable derecha en el lado derecho.
- Vuelva a colocar las guías deslizables de manera que caigan en la ranura de la guía fija y se deslicen hacia adentro hasta detenerse.
- Ajuste la perilla de fijación de la guía firmemente para cada guía de inglete deslizable.
- Realice un arranque en seco antes de llevar a cabo cualquier corte después de reposicionar las guías de ingletes deslizables para asegurarse de que no haya interferencia.

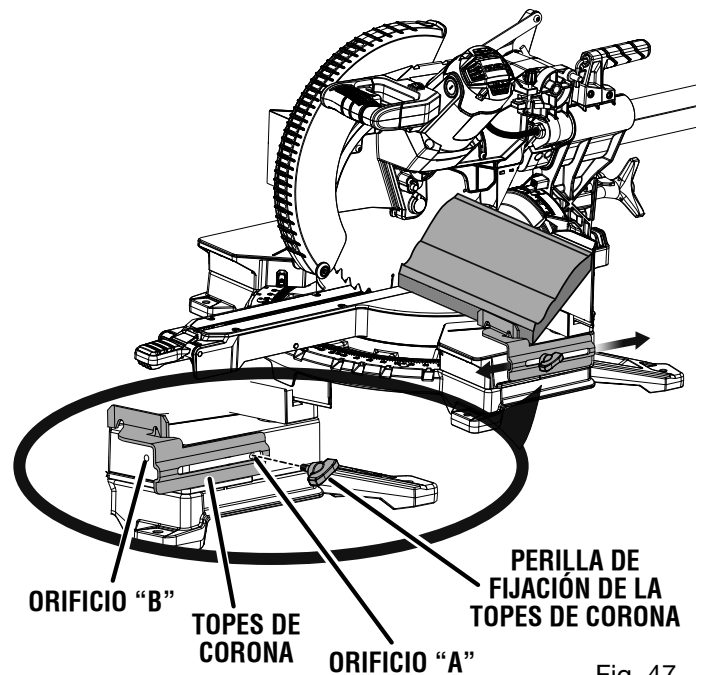


Fig. 47

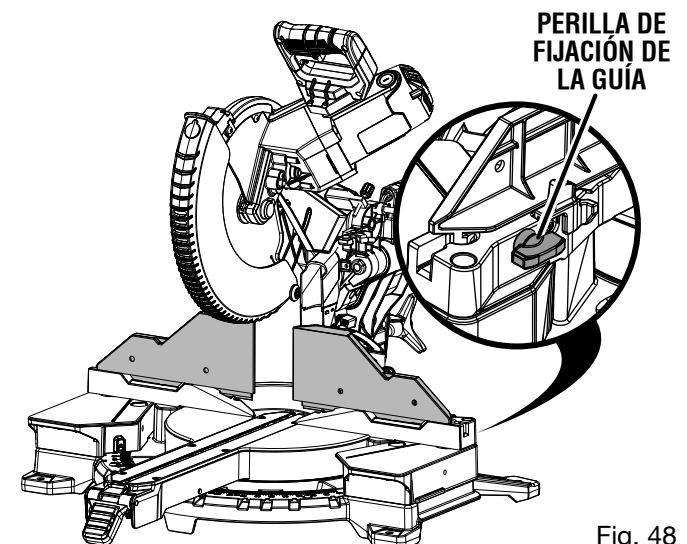


Fig. 48

# FUNCIONAMIENTO

## PALANCA DE CONFIGURACIÓN DE CORONA Y RODAPIÉS

Vea la figura 49.

La palanca de configuración de corona y rodapiés sirve para hacer cortes de inglete de hasta 45° para moldura de corona alta y rodapiés vertical.

Use la configuración de corona para moldura de corona alta de 117,48 mm (4-5/8 pulg.) o más alta aún.

**NOTA:** Para cortar moldura de corona de menos de 117,48 mm (4-5/8 pulg.) de alto, deslice la cabeza de la sierra bien hacia atrás con la palanca de configuración de corona y rodapiés en la posición hacia abajo.

**Para configurar la herramienta para moldura de corona alta:**

- Reposicionamiento de las guías de inglete deslizables como se describe en la sección anterior.
- Afloje la perilla de bloqueo de deslizamiento y tire de la cabeza de la sierra hacia delante.
- Rote la palanca de configuración de corona y rodapiés hacia arriba.

**NOTA:** Esta posición de la palanca es para cortes de inglete de 45° izquierdos y derechos.

- Empuje la cabeza de la sierra bien hacia la parte trasera de la sierra hasta que la cabeza se detenga y, luego, ajuste la perilla de bloqueo de deslizamiento.
- Realice un arranque en seco antes de llevar a cabo cualquier corte después de reposicionar las guías de ingletes deslizables para asegurarse de que no haya interferencia.
- Para desenganchar la palanca de configuración de corona, desbloquee la perilla de bloqueo de deslizamiento y empuje la palanca de configuración de corona y rodapiés hacia dentro.

**Para configurar la herramienta para moldura base vertical:**

- Reposicionamiento de las guías de inglete deslizables como se describe en la sección anterior.
- Afloje la perilla de bloqueo de deslizamiento y aleje la sierra empujándola hacia la parte trasera de esta.
- Rote la palanca de configuración de corona y rodapiés hacia arriba mientras tira de la cabeza de la sierra hacia la parte delantera de esta hasta que el bloqueo de rodapiés quede enganchado.

**NOTA:** Esta posición de la palanca es para cortes de 45° a la izquierda y 45° a la derecha.

- Ajuste la perilla de bloqueo de deslizamiento de forma segura.
- Realice un arranque en seco antes de llevar a cabo cualquier corte después de reposicionar las guías de ingletes deslizables para asegurarse de que no haya interferencia.
- Para desenganchar la palanca de configuración de rodapiés, desbloquee la perilla de bloqueo de deslizamiento y empuje la palanca de configuración de corona y rodapiés hacia dentro.

## CORTAR MOLDURA DE BASE DE MANERA VERTICAL CONTRA LA GUÍA DE INGLETES

Vea la figura 50.

- Reposicionamiento de las guías de inglete deslizables como se describe en la sección anterior.
- Establezca el ángulo del bisel en 0° y el ángulo del inglete en 45° ya sea a la izquierda o a la derecha. (Para realizar esquinas de 90°).

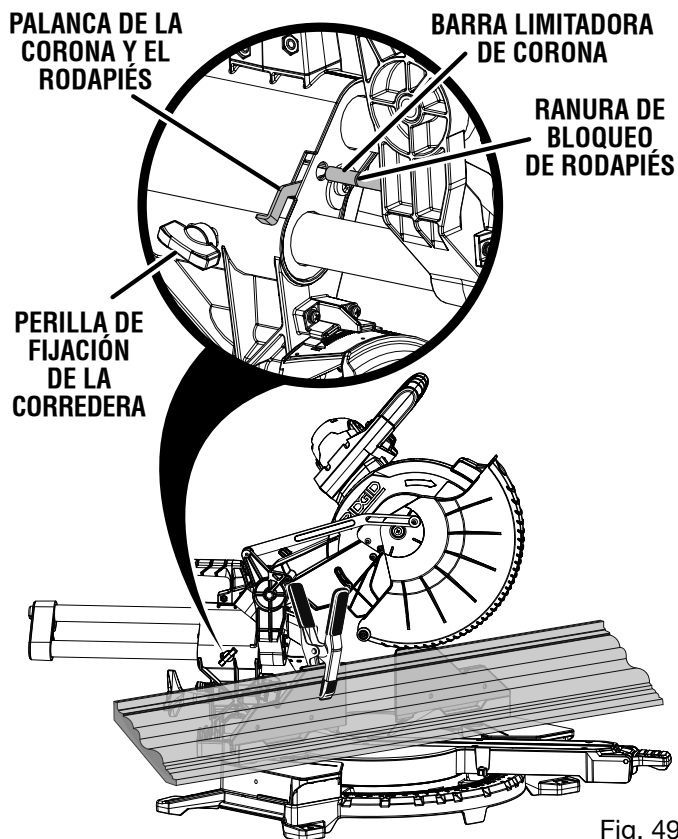


Fig. 49

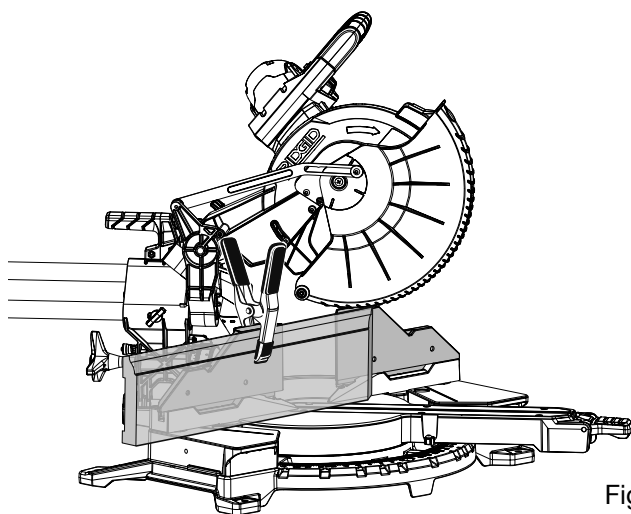


Fig. 50

- Coloque y asegure la moldura de base de modo vertical contra la guía utilizando una abrazadera con resorte y sostenga la moldura de base con firmeza.

**NOTA:** Para evitar interferencia entre la moldura de base y el motor, la moldura debe colocarse no más de 12,70 mm (0,50 pulg.) sobre la placa de la garganta al cortar moldura de base en ángulos de 45° a la derecha del inglete.

- Antes de encender la sierra, realice un simulacro de la operación de corte para asegurarse de que no haya problemas al realizar el corte.
- Agarre el mango de la sierra con firmeza. Apriete el gatillo del interruptor. Deje pasar varios segundos para que la hoja llegue a su velocidad máxima.
- Baje lentamente la hoja para cortar la moldura de base.

# FUNCIONAMIENTO

## CÓMO CORTAR MATERIAL TORCIDO

Vea las figuras 51 y 52.

Al cortar material torcido, asegúrese siempre de que esté situado sobre la mesa de ingletes con el canto convexo apoyado contra la guía, como se muestra en la figura 51.

Si se coloca de forma incorrecta como se muestra en la figura 52, se trabará en la hoja al llegar al final del corte.

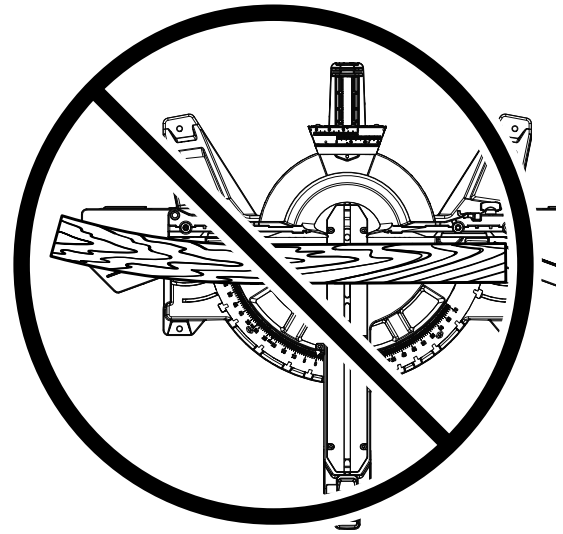
### **⚠ ADVERTENCIA:**

Para evitar un contragolpe y posibles lesiones graves, nunca coloque el canto cóncavo de un material arqueado o doblado contra la guía.

## SUJECIÓN DE PIEZAS ANCHAS

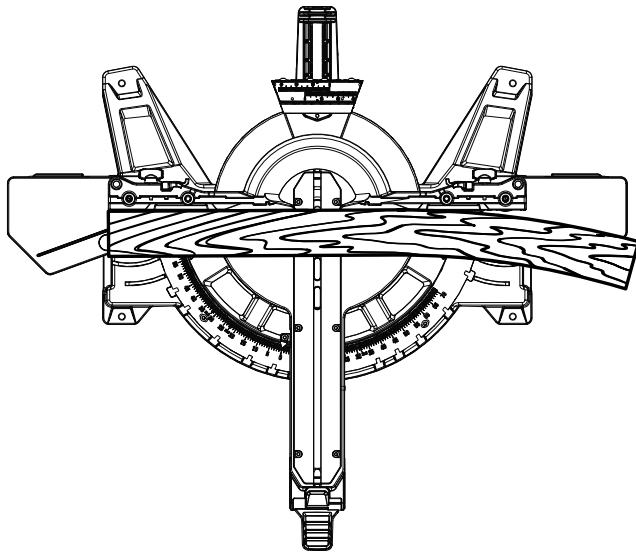
Vea la figura 53.

Al cortar piezas anchas, como las de nominales 51 x 152 mm (2 x 6 pulg.), deben sujetarse con prensas de trabajo, como se muestra en la figura 53.



**FORMA INCORRECTA**

Fig. 52



**FORMA CORRECTA**

Fig. 51

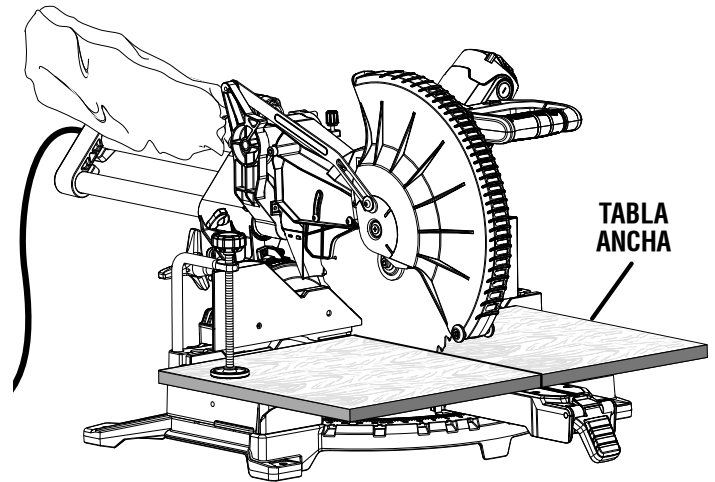


Fig. 53

# AJUSTES

## ⚠️ ADVERTENCIA:

Antes de efectuar cualquier ajuste, asegúrese de que la herramienta esté desconectada del suministro de corriente. La inobservancia de esta advertencia podría causar lesiones corporales serias.

La sierra ingleteadora combinada ha sido ajustada en la fábrica para producir cortes muy exactos. No obstante, algunos de los componentes podrían haberse desalineado durante el transporte. También, al paso del tiempo, probablemente será necesario un reajuste debido al desgaste. Después de desempaquetar la sierra, revise los siguientes ajustes antes de comenzar a utilizar la sierra. Realice todo reajuste necesario, y periódicamente revise la alineación de las piezas para asegurarse de que la sierra corte con precisión.

## AJUSTES DE LOS PIVOTES

**NOTA:** Estos ajustes se realizaron en la fábrica y normalmente no requieren reajustarse.

### AJUSTE DEL PIVOTE DE RECORRIDO

- El brazo de la sierra debe subir completamente por sí mismo hasta la posición superior.
- Si el brazo de la sierra no se levanta por sí mismo, o si hay juego en las articulaciones de pivote, lleve la sierra al **CENTRO DE SERVICIO AUTORIZADO** de su preferencia para su reparación.

### AJUSTE DEL PIVOTE DE BISEL

- La sierra de ingletes combinada debe biselar fácilmente ajustando la perilla de seguridad del bisel e inclinando la sierra.
- Si el pivote se siente apretado o tiene juego, lleve la sierra al **CENTRO DE SERVICIO AUTORIZADO** de su preferencia para su reparación.

### AJUSTE DEL BLOQUEO DE BISEL

Vea las figuras 54 y 55.

Cuando el brazo de la sierra se bisele a una posición de bisel "no indexada" que no sea 0°, 15°, 22,5°, 33,9° o 45°, el ajuste de la perilla de bloqueo del bisel debería proporcionar suficiente fuerza de agarre para evitar que el brazo de la sierra se mueva. Si el brazo de la sierra se mueve con facilidad al ajustar la perilla de bloqueo de bisel, deberá ajustarlo.

- Desenchufe la sierra.
- Extraiga los dos tornillos que fijan la cubierta contra el polvo de bloqueo de bisel. Quite la cubierta.
- Afloje la perilla de fijación de bisel.
- Establezca el ángulo de bisel a 0°.
- Con una llave de combinación de 13 mm (0,51 pulg.), sostenga la tuerca y, con la llave hexagonal, ajuste el tornillo de seguridad de bisel. Realice ajustes de un cuarto de vuelta o menos.

**NOTA:** Si gira el tornillo de seguridad del bisel en sentido horario, incrementará la fuerza de ajuste. Si gira el tornillo de seguridad del bisel en sentido antihorario, disminuirá la fuerza de ajuste.

- Utilizando una llave hexagonal, sostenga el tornillo de seguridad del bisel estacionario, mientras utiliza la llave de combinación para ajustar la tuerca, sosteniendo la arandela plana de manera que esté cerca pero no toque la placa de fijación.
- Después de realizar el ajuste, verifique que la arandela plana y la placa de fijación de fijación no estén en contacto entre sí.
- Reemplace la cubierta contra el polvo de bloqueo de bisel y ajuste los tornillos firmemente.

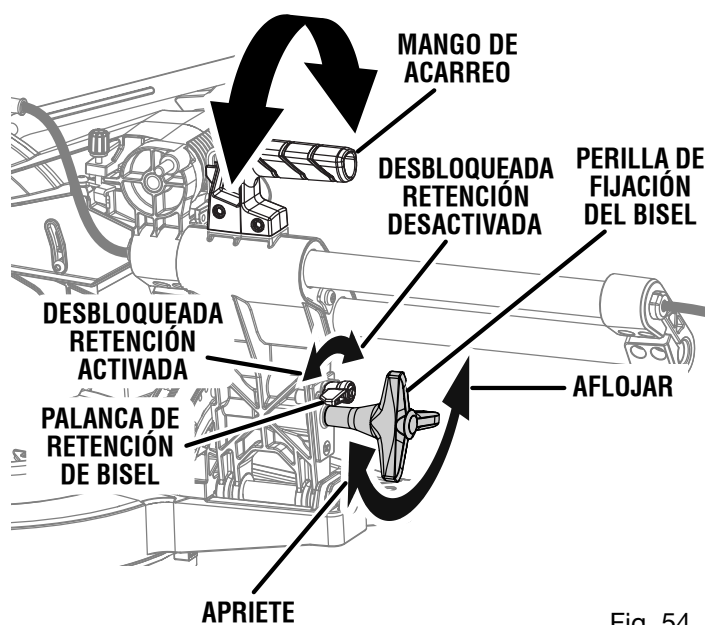


Fig. 54

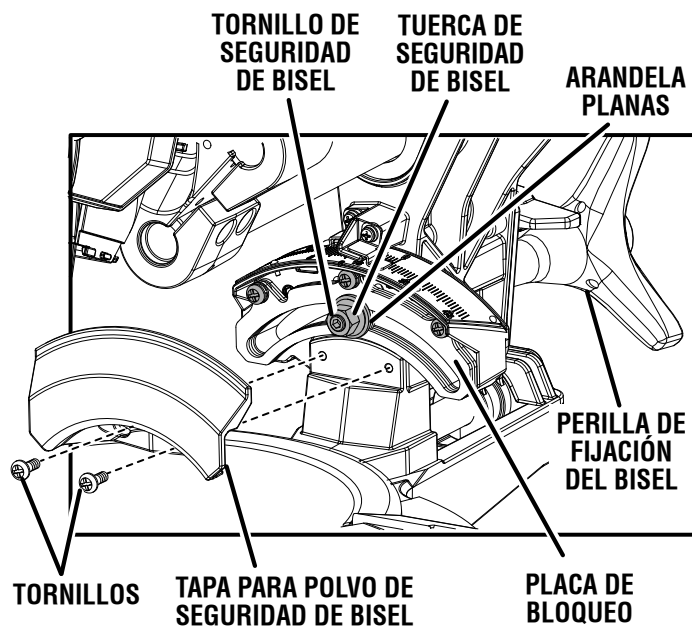


Fig. 55

# AJUSTES

## AJUSTE DE LA PALANCA DE FIJACIÓN DEL INGLETE

Veá las figuras 56 y 57.

- Desenchufe la sierra.
- Localice la tuerca de seguridad del inglete, el tornillo de fijación de ingletes y la zapata de fijación de ingletes en la parte inferior trasera de la sierra.

### Para verificar la fuerza de sujeción del bloqueo del inglete:

- Levante al palanca de seguridad de inglete y presione el botón derivador de retención de inglete.
- Gire la mesa de inglete a una posición no convencional del inglete que no sea 0°, 15°, 22,5°, 31,6°, 45°, 60° ni 67,5°.
- Empuje la palanca de seguridad del inglete hacia abajo e intente mover la mesa de inglete. Si la mesa se mueve con facilidad en la posición bloqueada, ajuste el tornillo de bloqueo del inglete.
- Utilice una llave hexagonal 4 mm para ajustar el tornillo de seguridad de inglete. Realice ajustes de un cuarto de vuelta o menos.

**NOTA:** Al girar el tornillo de seguridad de inglete en sentido horario se incrementará la fuerza de apriete. Al girar el tornillo de seguridad de inglete en sentido antihorario se disminuirá la fuerza de apriete.

- Después de realizar el ajuste, verifique la fuerza de apriete.

**NOTA:** Debe tomar una fuerza considerable para mover la mesa en la posición bloqueada.

### To adjust miter table movement:

- Levante al palanca de seguridad de inglete, presione el botón derivador de retención de inglete y mueva la mesa de inglete hacia la izquierda o derecha. Si la mesa de inglete no se mueve libremente, ajuste la tuerca de seguridad del inglete.
- Utilice una llave hexagonal 4 mm, sostenga el tornillo de seguridad de inglete estacionario, mientras utiliza la llave de combinación 13 mm para ajustar la tuerca.

**NOTA:** Al girar la tuerca de seguridad del inglete en sentido horario, la zapata se acercará a la base de la sierra ingleteadora y será más difícil mover la mesa de inglete. Al girar la tuerca de seguridad del inglete en sentido antihorario, la zapata se alejará de la base y será más fácil mover la mesa.

- Ajuste la tuerca de seguridad del inglete hasta que la zapata y la base de la sierra ingleteadora estén cerca, pero sin entrar en contacto.
- Después de realizar el ajuste, pruebe el movimiento de la mesa de inglete. La mesa de ingletes debe moverse libremente hacia la izquierda o la derecha.
- Gire la mesa de inglete a una posición no convencional del inglete que no sea 0°, 15°, 22,5°, 31,6°, 45°, 60° ni 67,5° y presione la palanca de seguridad de bisel hacia abajo. Verifique la fuerza de apriete.

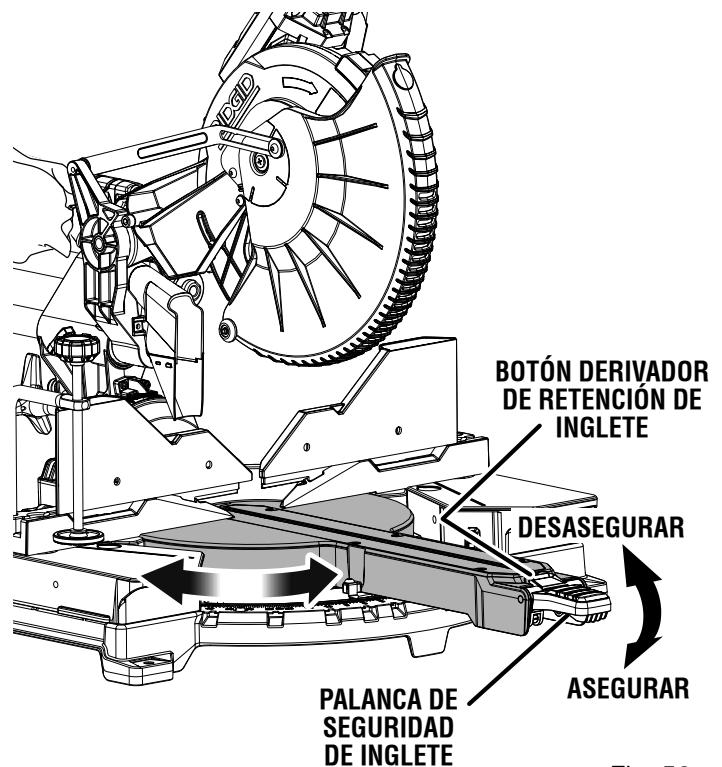


Fig. 56

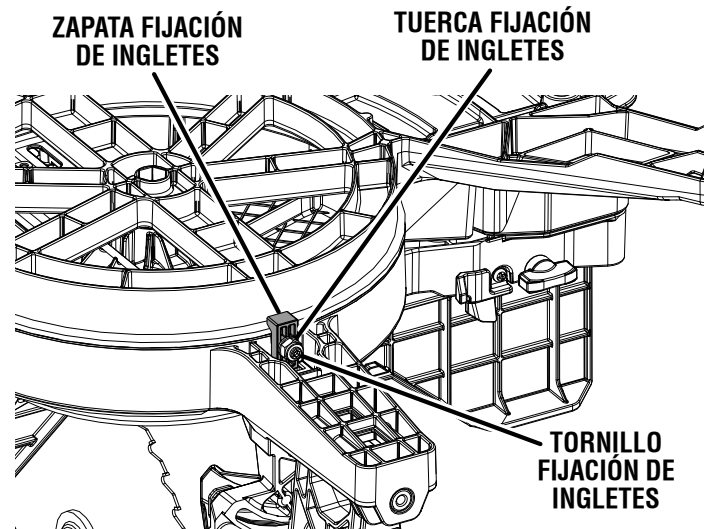


Fig. 57



# AJUSTES

## AJUSTE DE LA PALANCA DE SEGURIDAD DE INGLETE

Vea la figura 58.

Levante la palanca de seguridad de inglete para desbloquear la mesa de ingletes.

- Desenchufe la sierra.
- Levante la palanca de seguridad de inglete para desbloquear la mesa de ingletes.
- Si la palanca de seguridad de inglete no está en paralelo con la parte superior de la mesa de ingletes, es necesario realizar ajustes.
- Utilizando una llave de combinación de 8 mm y un destornillador de cabeza plana, sostenga el tornillo de seguridad del inglete y afloje la tuerca de seguridad del inglete.
- Gire la tuerca de seguridad en sentido horario para bajar la palanca.
- Gire la tuerca de seguridad en sentido antihorario para levantar la palanca.
- Continúe para ajustar la palanca de seguridad hasta que se encuentre en paralelo con la mesa de ingletes.
- Sostenga el tornillo en su lugar y ajuste la tuerca de seguridad con firmeza.

**NOTA:** Después de ajustar el selector de cierre mitra, pueda que sea necesario ajustar el botón del dispositivo de frenado mitra.

## AJUSTE DE BOTÓN DE RETENCIÓN DE INGLETE

Vea la figura 58.

- Levante la palanca de seguridad de inglete para desbloquear la mesa de ingletes.
- Intente girar la mesa de ingletes.
- Si la mesa de ingletes no gira, la retención se encuentra activada. Si no está activada, presione el botón de retención hasta escuchar un “clic”; luego, suelte el botón.
- Intente girar la mesa de ingletes. Deberá activar la retención de ingletes y fijarla en su lugar.
- Presione el botón de retención de ingletes hasta escuchar un “clic”.

- Intente girar la mesa de ingletes. Deberá girar libremente.
- Presione el botón de retención de ingletes hasta escuchar un “clic”.
- Intente girar la mesa de ingletes. Deberá activar la retención de ingletes y fijarla en su lugar.
- Si el sistema de retención no posee un ciclo, se necesitará realizar ajustes.
- Utilizando una llave de combinación de 10 mm y un destornillador de cabeza plana, sostenga el tornillo de traba del inglete y afloje la tuerca de traba del inglete.
- Gire la tuerca en sentido antihorario para bajar el botón.
- Gire la tuerca en sentido antihorario para levantar el botón.
- Mientras realiza los ajustes, presione el botón de retención para asegurarse de seguir escuchando el “clic”.
- Ajústelo hasta escuchar el “clic” en la posición más baja.
- Sostenga el tornillo en su lugar y ajuste la tuerca de traba de inglete con firmeza.

**NOTA:** Después de ajustar el botón de retención de ingletes, quizá sea necesario ajustar la palanca de seguridad de inglete.

### DEBAJO DE LA PALANCA DE SEGURIDAD DEL INGLETE

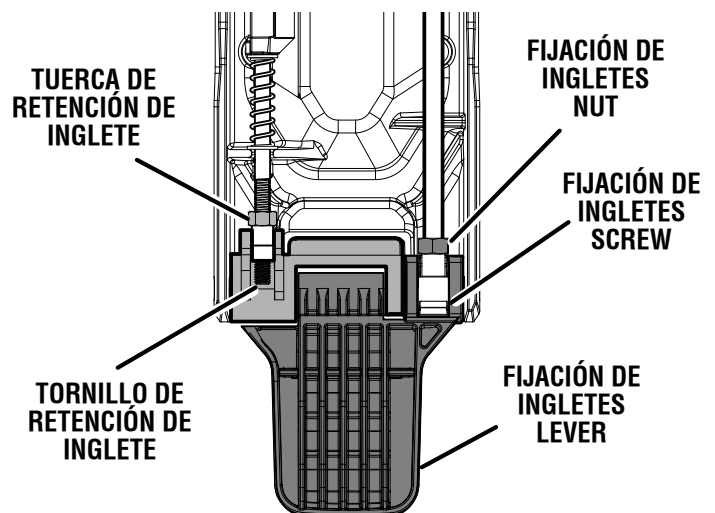


Fig. 56

# MANTENIMIENTO

## **⚠️ ADVERTENCIA:**

Al dar servicio a la unidad, utilice sólo piezas de repuesto idénticas. El empleo de piezas diferentes puede presentar un peligro o causar daños al producto.

## **⚠️ ADVERTENCIA:**

Siempre póngase protección ocular con la marca de cumplimiento de la norma ANSI Z87.1. Si la operación genera mucho polvo, también póngase una mascarilla contra el polvo.

## **⚠️ ADVERTENCIA:**

Antes de efectuar cualquier ajuste, asegúrese de que la herramienta esté desconectada del suministro de corriente. La inobservancia de esta advertencia podría causar lesiones corporales serias.

## MANTENIMIENTO GENERAL

Evite el empleo de solventes al limpiar piezas de plástico. La mayoría de los plásticos son susceptibles a diferentes tipos de solventes comerciales y pueden resultar dañados. Utilice paños limpios para eliminar la suciedad, el polvo, el aceite, la grasa, etc.

## **⚠️ ADVERTENCIA:**

No permita en ningún momento que fluidos para frenos, gasolina, productos a base de petróleo, aceites penetrantes, etc., lleguen a tocar las piezas de plástico. Las sustancias químicas pueden dañar, debilitar o destruir el plástico, lo cual a su vez puede producir lesiones corporales serias.

## LUBRICACIÓN

Todos los cojinetes de esta herramienta están lubricados con suficiente cantidad de aceite de alta calidad para toda la vida útil de la unidad en condiciones normales de funcionamiento. Por lo tanto, no se necesita lubricación adicional.

## **⚠️ ADVERTENCIA:**

Para garantizar la seguridad y fiabilidad, todas las reparaciones deben ser efectuadas en un centro de servicio autorizado por un técnico de servicio calificado, para evitar riesgos de lesiones corporales.

Algunas áreas requieren lubricación ocasional. Usted deberá aplicar:

- Aceite para automóviles directamente sobre las guías telescópicas.
- Aceite ligero o aceite pulverizado sobre el eje de pivotaje del brazo.
- Aceite ligero o aceite pulverizado sobre el resorte de torsión.

**NOTA:** No aplique aceite al conjunto de bloqueo de bisel o para el montaje de bloqueo de inglete.

## REEMPLAZO DE LAS ESCOBILLAS

*Vea la figura 59.*

La sierra dispone de conjuntos de escobillas accesibles externamente, cuyo desgaste debe revisarse periódicamente.

**Proceda como sigue cuando se requiera un reemplazo:**

- Desconecte la sierra.
- Retire la tapa de la escobilla con un destornillador. El conjunto de cada escobilla tiene un resorte y salta al retirarse la tapa de la escobilla.
- Retire el conjunto de la escobilla.
- Efectúe una inspección para ver si hay desgaste. Reemplace ambas escobillas cuando una u otra tenga menos de 6 mm (1/4 pulg.) de carbón restante. **No** reemplace un solo lado sin reemplazar el otro.
- Vuelva a armar la unidad empleando conjuntos de escobillas nuevos. Asegúrese de que la curvatura de la escobillas corresponda a la del motor y de que las escobillas se muevan libremente en los tubos de las mismas.
- Asegúrese de que la tapa de la escobilla esté orientada correctamente (en línea recta) y colóquela.
- Apriete firmemente la tapa de la escobilla. **No** efectúe un apriete excesivo.

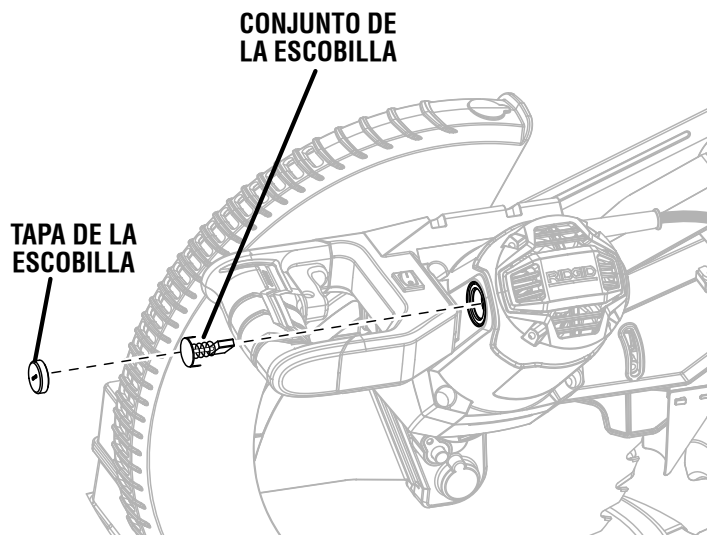


Fig. 59

# MANTENIMIENTO

## LIMPIEZA DE LALENTE LED

Vea la figura 60.

Con el tiempo, es posible que la luz LED se vea opacada o tenue. Si ocurre esto, es posible que la lente LED deba limpiarse.

### Para limpiar la lente:

- Desenchufe la sierra.
  - Eleve el brazo de la sierra.
  - Quite la hoja como se describe en la sección de *Armado*.
  - Gire la protección inferior de la hoja para exponer la lente LED.
  - Con un trapo pequeño o un hisopo de algodón, limpie suavemente la suciedad de la lente LED.
- NOTA:** Tenga cuidado al limpiar la lente para evitar dañarla.
- Vuelve a colocar la hoja.

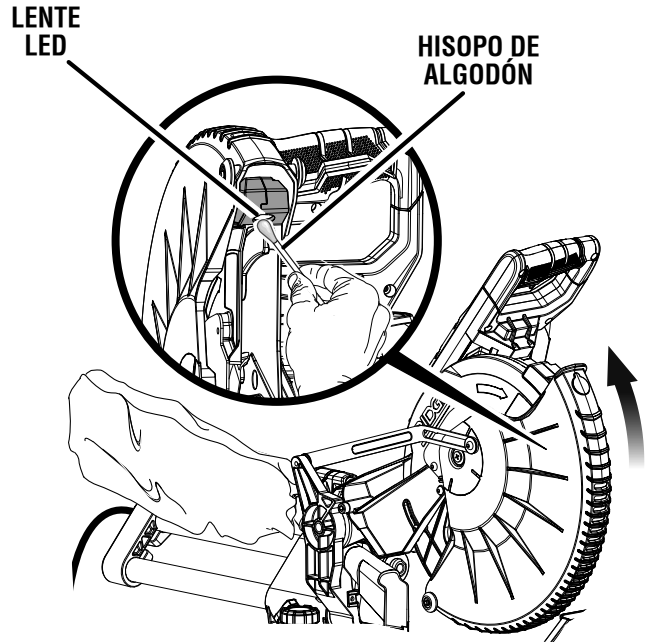


Fig. 60

# ACCESORIOS

Busque estos accesorios donde adquirió este producto o llame al 1-866-539-1710:

■ Carro de servicio para sierras ingleteadoras .....	AC9946
■ Conjunto del saco captapolvo .....	089041028710
■ Hoja de 12 pulg. (304.8 mm).....	089041028912
■ Conjunto del placa de garganta.....	089041028712
■ Conjunto del prensa de trabajo .....	089041028711
■ Llave de la hoja .....	089041028913
■ Conjunto del topes de corona .....	089041028100

## ADVERTENCIA:

Arriba se señalan los aditamentos y accesorios disponibles para usarse con este producto. No use accesorios no recomendados por el fabricante de este producto. El empleo de accesorios no recomendados puede provocar lesiones graves.

# GARANTÍA

---

## HERRAMIENTAS ELÉCTRICAS DE MANO Y ESTACIONARIAS RIDGID® GARANTÍA DE SERVICIO LIMITADA DE TRES AÑOS

Debe presentarse prueba de la compra al solicitar servicio al amparo de la garantía.

Se limita a las herramientas de mano y estacionarias RIDGID® adquiridas a partir del 1 de febrero de 2004. Este producto está manufacturado por One World Technologies, Inc. La licencia de uso de la marca comercial es otorgada por RIDGID®, Inc. Toda comunicación en relación con la garantía debe dirigirse a One World Technologies, Inc., a la atención de: Servicio Técnico de Herramientas Eléctricas de Mano y Estacionarias RIDGID®, por el (línea gratuita) 1-866-539-1710.

### POLÍTICA DE GARANTÍA DE SATISFACCIÓN DE 90 DÍAS

Durante los primeros 90 días a partir de la fecha de compra, si no está satisfecho con el desempeño de esta herramienta de mano o estacionaria RIDGID® por cualquier razón, puede devolverla al establecimiento donde la adquirió, donde se le proporcionará un reembolso total o un intercambio. Para recibir una herramienta de reemplazo, debe presentar documentación de prueba de la compra, y devolver el equipo original empaquetado con el producto original. La herramienta de reemplazo queda cubierta por la garantía limitada por el resto del período de garantía de servicio de 3 AÑOS.

### LO QUE ESTÁ CUBIERTO EN LA GARANTÍA DE SERVICIO LIMITADA DE TRES AÑOS GARANTÍA DE SERVICIO LIMITADA

Esta garantía de las herramientas de mano y estacionarias RIDGID® cubre todos los defectos en materiales y mano de obra, así como piezas desgastables como escobillas, portabrocas, motores, interruptores, cordones eléctricos, engranajes e incluso las pilas inalámbricas de esta herramienta RIDGID® por tres años a partir de la fecha de compra de la herramienta. Las garantías de otros productos RIDGID® pueden ser diferentes.

### FORMA DE OBTENER SERVICIO

Para obtener servicio para esta herramienta RIDGID®, debe devolverla, ya sea con el flete pagado por anticipado, o llevarla a un centro de servicio autorizado para herramientas eléctricas de mano y estacionarias de la marca RIDGID®. Puede obtener información sobre la ubicación del centro de servicio autorizado más cercano llamando al 1-866-539-1710 (línea gratuita) o dirigiéndose al sitio Web de RIDGID®, en [www.ridgid.com](http://www.ridgid.com). Al solicitar servicio al amparo

de la garantía, debe presentar el recibo de venta fechado original. El centro de servicio autorizado reparará toda mano de obra deficiente del producto, y reparará o reemplazará cualquier pieza amparada por la garantía, a nuestra exclusiva discreción, sin ningún costo para el consumidor.

### LO QUE NO ESTÁ CUBIERTO

Esta garantía se ofrece exclusivamente al comprador original de venta minorista y es intransferible. Esta garantía sólo cubre los defectos que surjan durante el uso normal de la herramienta y no cubre ningún malfuncionamiento, falla o defecto producido por el mal trato, abuso, negligencia, alteración, modificación o reparación efectuada por terceros diferentes de los centros de servicio autorizados de herramientas eléctricas de mano y estacionarias RIDGID®. Los accesorios de consumo suministrados con la herramienta, p. ej., hojas, brocas, papel de lija, etc., no están cubiertos.

**RIDGID®, INC. Y ONE WORLD TECHNOLOGIES, INC. NO OFRECEN NINGUNA GARANTÍA, DECLARACIÓN O PROMESA EN RELACIÓN CON LA CALIDAD O EL DESEMPEÑO DE SUS HERRAMIENTAS ELÉCTRICAS MÁS QUE LAS SEÑALADAS ESPECÍFICAMENTE EN ESTA GARANTÍA.**

### LIMITACIONES ADICIONALES

Hasta donde lo permiten las leyes pertinentes, se desconoce toda garantía implícita, incluidas las garantías de comerciabilidad o idoneidad para un uso en particular. Toda garantía implícita, incluidas las garantías de comerciabilidad o idoneidad para un uso en particular, que no pueda desconocerse según las leyes estatales, está limitada a tres años a partir de la fecha de compra. One World Technologies, Inc. y RIDGID®, Inc. no son responsables de daños directos, indirectos, incidentales o consecuentes. Algunos estados no permiten limitaciones en cuanto al período de vigencia de una garantía implícita o no permiten exclusiones o limitaciones de daños incidentales o consecuentes, por lo tanto es posible que esta limitación no se aplique en su caso. Esta garantía le confiere derechos legales específicos, y es posible que usted goce de otros derechos, los cuales pueden variar de un estado a otro.

---

**One World Technologies, Inc.**

P.O. Box 1427

Anderson, SC 29622, USA

---



# OPERATOR'S MANUAL

MANUEL D'UTILISATION

MANUAL DEL OPERADOR

## 12 in. SLIDING COMPOUND MITER SAW WITH LED

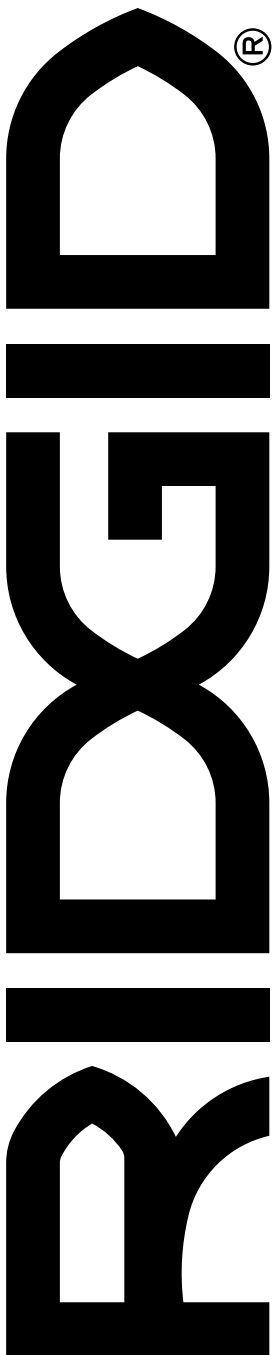
SCIE À ONGLETS COMBINÉS COULISSANTE

DE 305 mm (12 po) AVEC DEL

SIERRA INGLETEADORA COMPUESTA DESLIZANTE

DE 305 mm (12 pulg.) CON LED

R4222



### Customer Service Information:

For parts or service, do not return this product to the store. Contact your nearest RIDGID® authorized service center. Be sure to provide all relevant information when you call or visit. For the location of the authorized service center nearest you, please call 1-866-539-1710 or visit us online at [www.RIDGID.com](http://www.RIDGID.com).

MODEL NO. \_\_\_\_\_ SERIAL NO. \_\_\_\_\_

---

### Service après-vente :

Pour acheter des pièces ou pour un dépannage, ne pas retourner ce produit au magasin. Contacter le centre de réparations RIDGID® agréé le plus proche. Veiller à fournir toutes les informations pertinentes lors de tout appel téléphonique ou visite. Pour obtenir l'adresse du centre de réparations agréé le plus proche, téléphoner au 1-866-539-1710 ou visiter notre site [www.RIDGID.com](http://www.RIDGID.com).

NO. DE MODÈLE \_\_\_\_\_ NO. DE SÉRIE \_\_\_\_\_

---

### Información sobre servicio al consumidor:

Para piezas de repuesto o servicio, no devuelva este producto a la tienda. Comuníquese con el centro de servicio autorizado de productos RIDGID® de su preferencia. Asegúrese de proporcionar todos los datos pertinentes al llamar o al presentarse personalmente. Para obtener información sobre el centro de servicio autorizado más cercano a usted, le suplicamos llamar al 1-866-539-1710 o visitar nuestro sitio en la red mundial, en la dirección [www.RIDGID.com](http://www.RIDGID.com).

NÚM. DE MODELO \_\_\_\_\_ NÚM. DE SERIE \_\_\_\_\_

### ONE WORLD TECHNOLOGIES, INC.

P.O. Box 1427  
Anderson, SC 29622, USA  
1-866-539-1710 ■ [www.RIDGID.com](http://www.RIDGID.com)

*RIDGID is a registered trademark of RIDGID, Inc., used under license.*